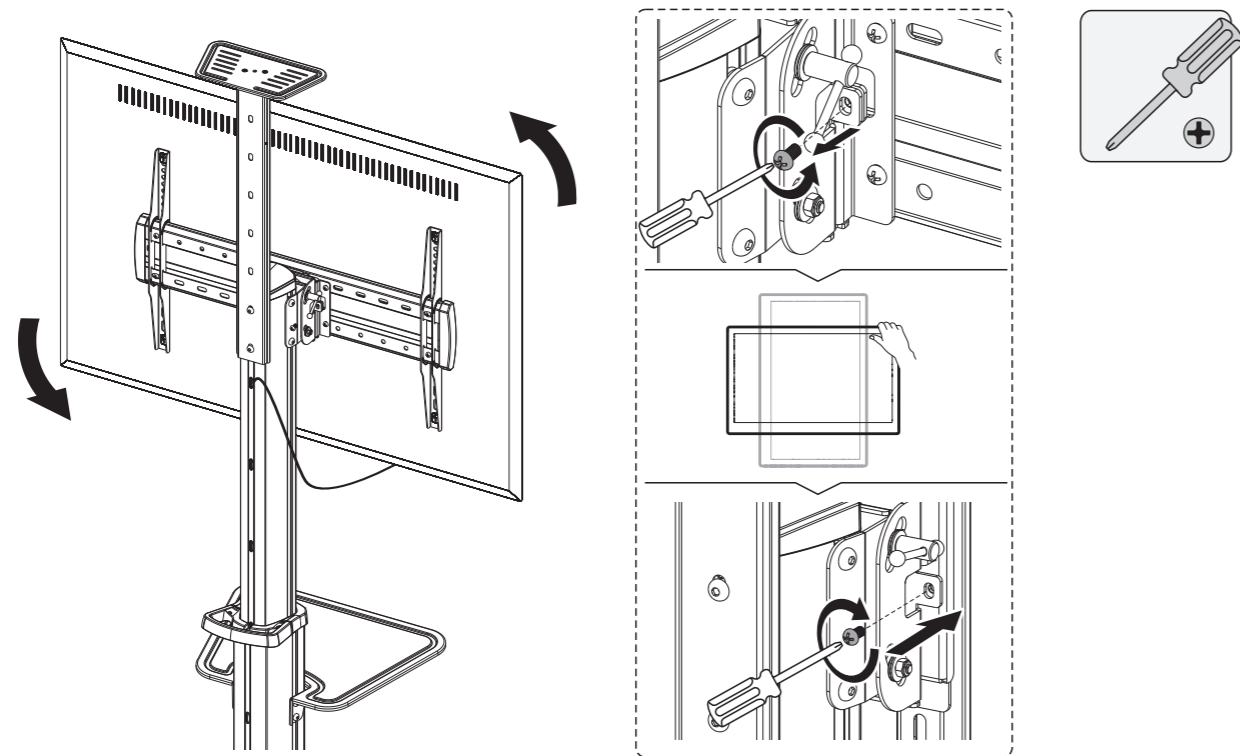
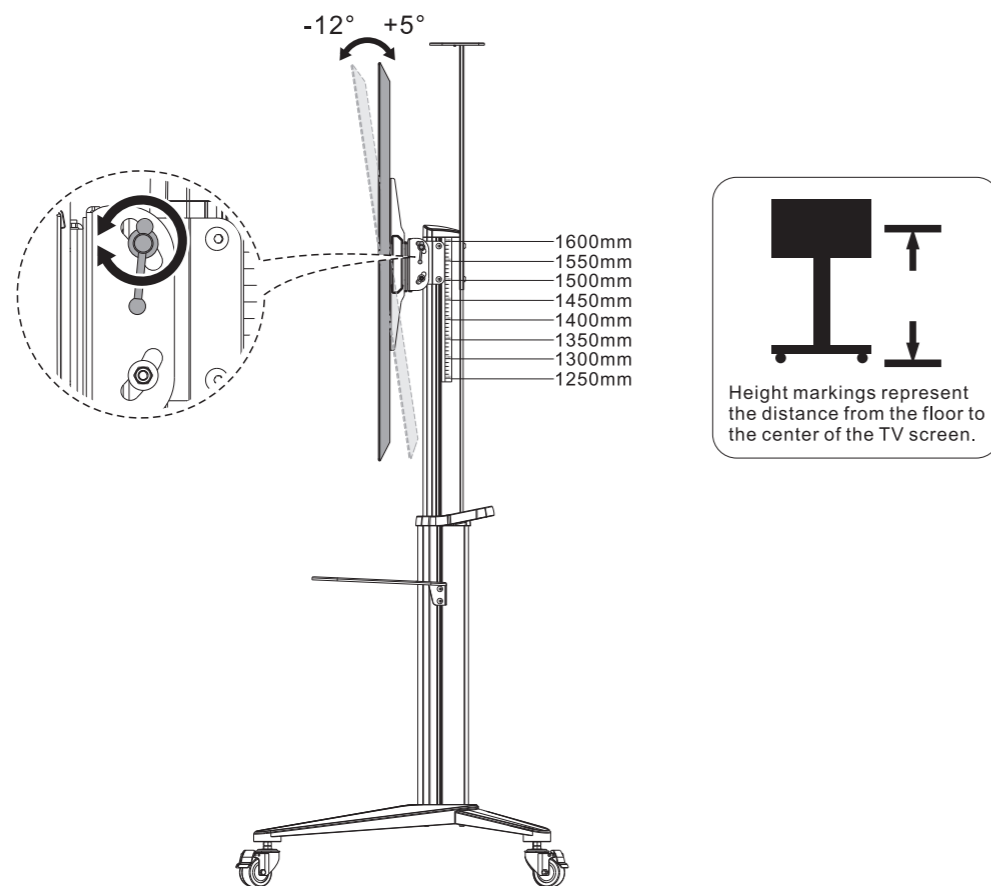


11. TV Orientation



12. Adjustment



Maintenance

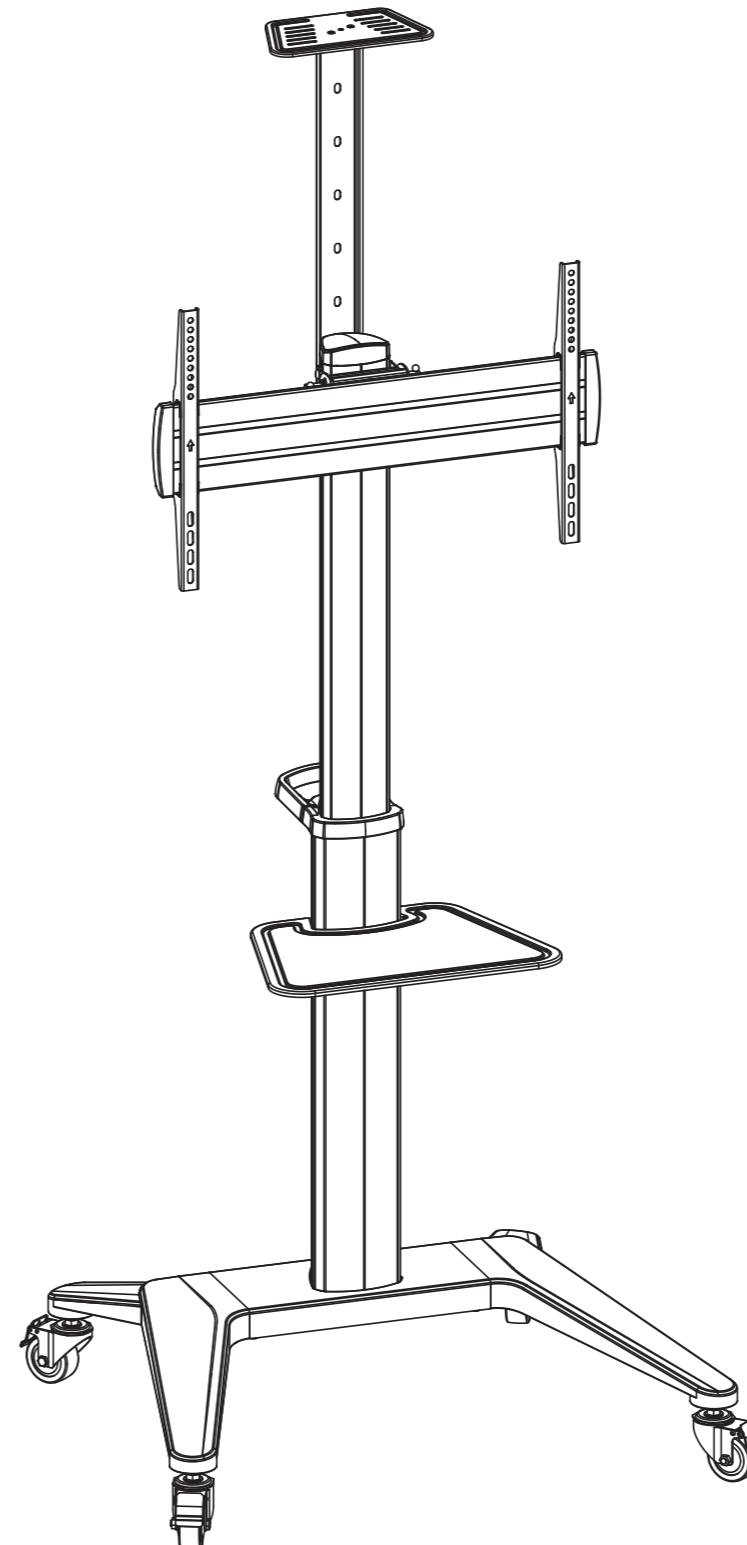
- Check if the bracket is secure and safe to use at regular intervals(at least every three months).
- Please contact your distributor if you have any questions.



USER MANUAL • HANDBUCH • HANDLEIDING • MANUALE D'USO • MANUAL DE USUARIO •  
MANUAL DO USUÁRIO • MANUEL DESCRIPTIF • INSTRUKCJA OBSŁUGI • UŽIVATELSKÝ MANUÁL  
• ІНСТРУКЦІЯ КОРИСТУВАЧА • POUŽÍVATELSKÁ PRÍRUČKA • VARTOTOJO VADOVAS •  
MANUAL DE UTILIZARE

# Aluminum TV floor stand with caster wheels

## TVS-70T-02-W



VESA Compatible  
300 x 300 600 x 400  
200 x 200 400 x 400  
300 x 200 400 x 200  
400 x 300



70kg/154lbs



5kg/11lbs



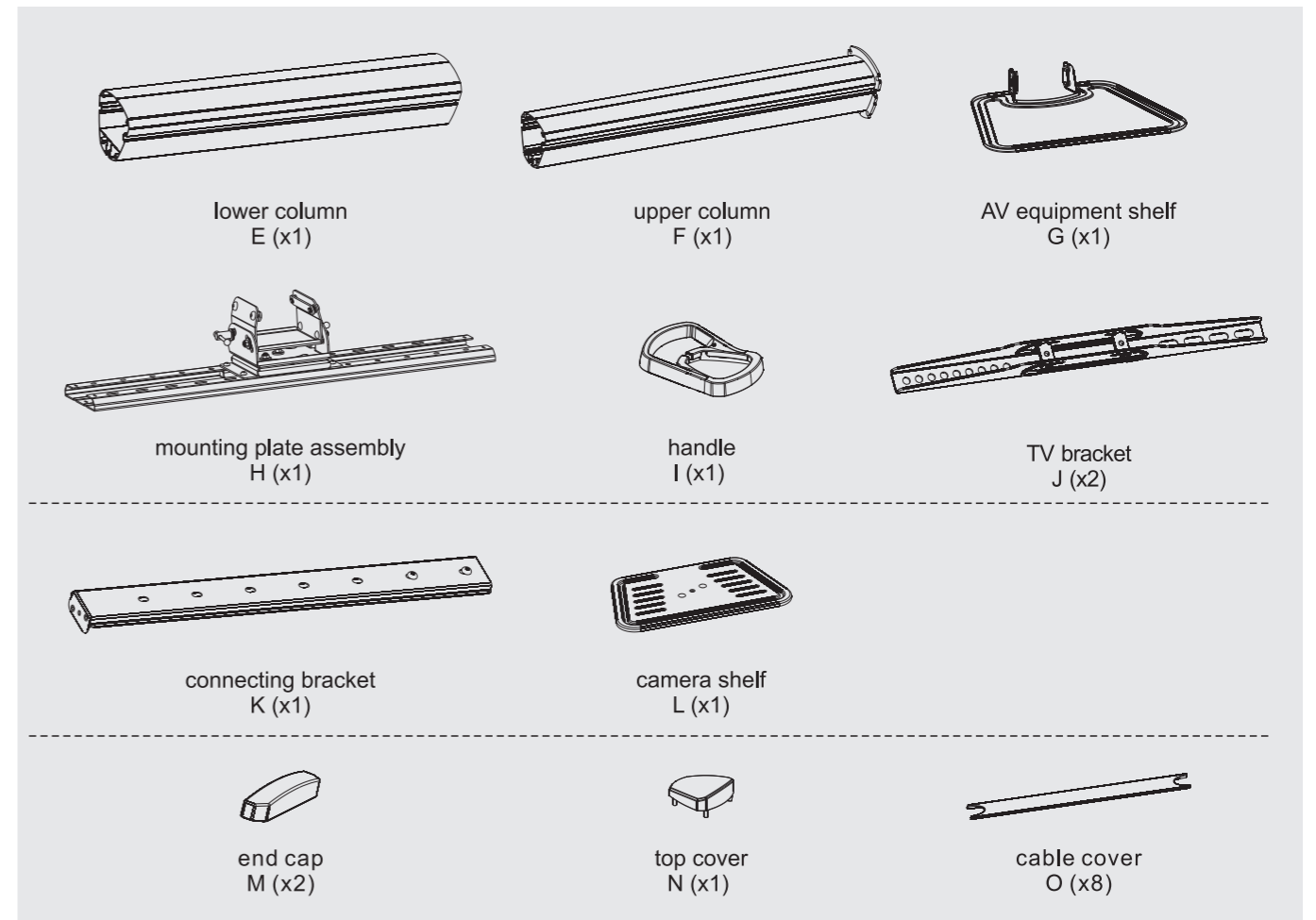
5kg/11lbs

**GENERAL INFORMATION**

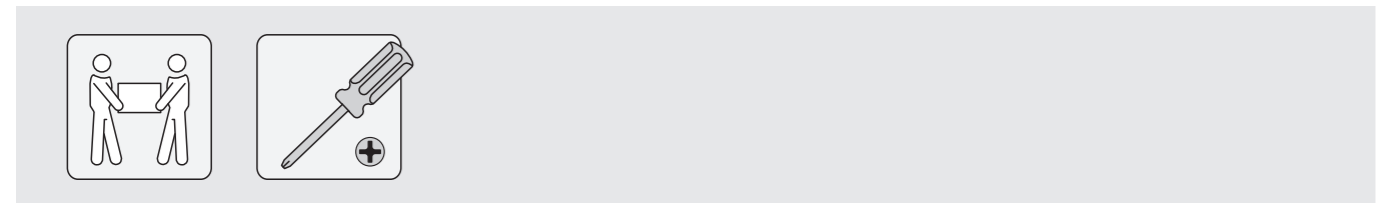
This product has been manufactured by or on behalf of Gembird Europe BV. Inquiries to the EU Importer or related to product compliance in Europe should be sent to: Gembird Europe BV, Wittevrouwen 56, 1358 CD, Almere, The Netherlands. www.gmb.nl  
 Warranty conditions: www.gmb.nl/warranty  
 Product support: www.gmb.nl/service and/or helpdesk@gembird.nl

**SAFETY**

**(ENG)** To ensure safe handling of the product, follow the safety advice on: **(DE/AT)** Hinweise zum sicheren Gebrauch der Produkte finden Sie auf: **(NL/BE)** Voor een veilig gebruik van het product volgt u deze algemene veiligheidsaanwijzingen op: **(ES)** Para garantizar una manipulación segura de los dispositivos, siga las advertencias de seguridad disponibles en: **(CZ)** Abyste zajistili bezpečnou manipulaci s výrobkem, dodržujte bezpečnostní pokyny na: **(FR/BE)** Pour garantir une manipulation sûre des appareils, suivez les consignes de sécurité sur: **(IT)** Per garantire una manipolazione sicura del prodotto, seguire i consigli di sicurezza su: **(PT)** Para garantir o manuseio seguro do produto, siga as recomendações de segurança em: **(PL)** Aby obchodzić się bezpiecznie z produktami, należy przestrzegać wskazówek dotyczących bezpieczeństwa: **(RO)** Pentru asigurarea unei manipulări în condiții de siguranță a produsului, urmați recomandările de securitate de pe: **(SK)** Na zaistenie bezpečnej manipulácie so zariadeniami sa riadte bezpečnostnými pokynmi na: **(SL)** Za zagotavljanje varnega ravnanja z napravami, upoštevajte varnostna navodila, ki jih najdete na: **(HR)** Da biste osigurali sigurno rukovanje uređajima, pratite sigurnosne savjete na web-mjestu: **(HU)** A készülékek biztonságos kezelésének érdekében kövesse a biztonsági tanácsokat **(BG)** За да осигурите безопасна работа на устройствата, следвайте съветите за безопасност по-долу: www.gmb.nl/safety

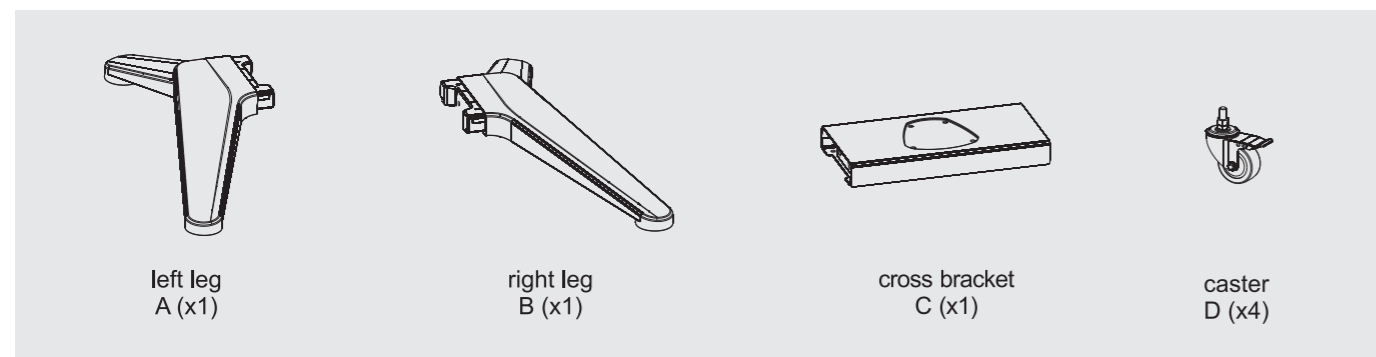


**Requirement for Installation**

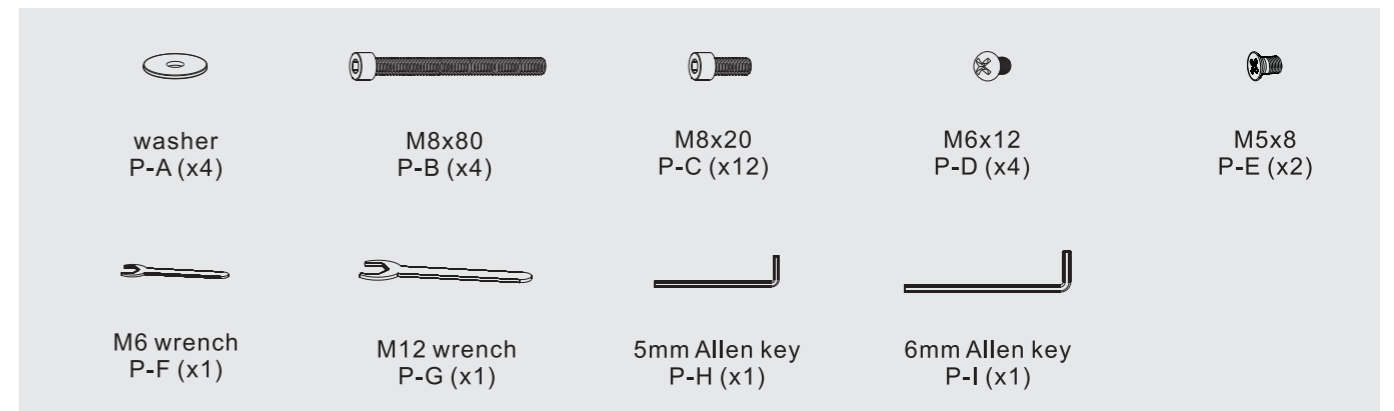


**Component Checklist**

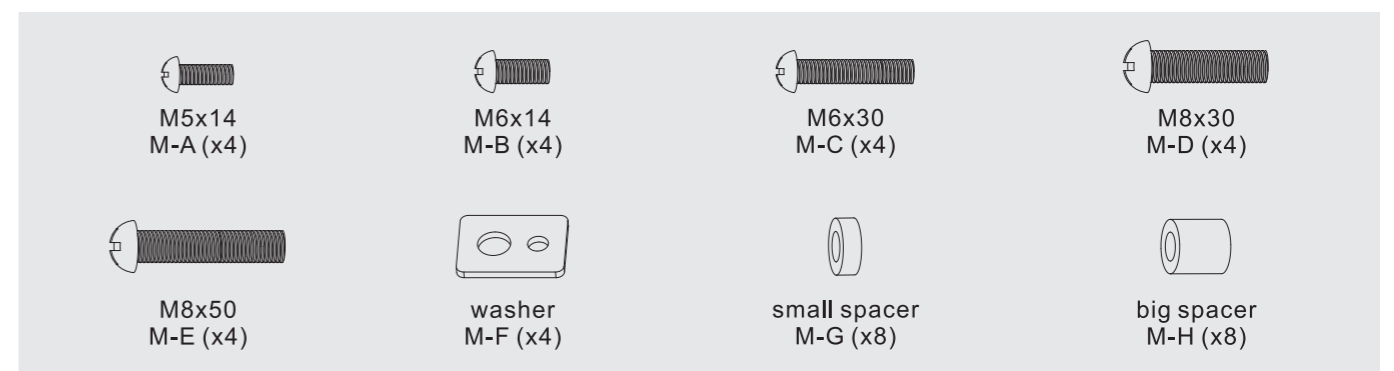
**IMPORTANT:** Ensure that you have received all parts according to the component checklist prior to installation. If any parts are missing or faulty, contact your place of purchase for a replacement.



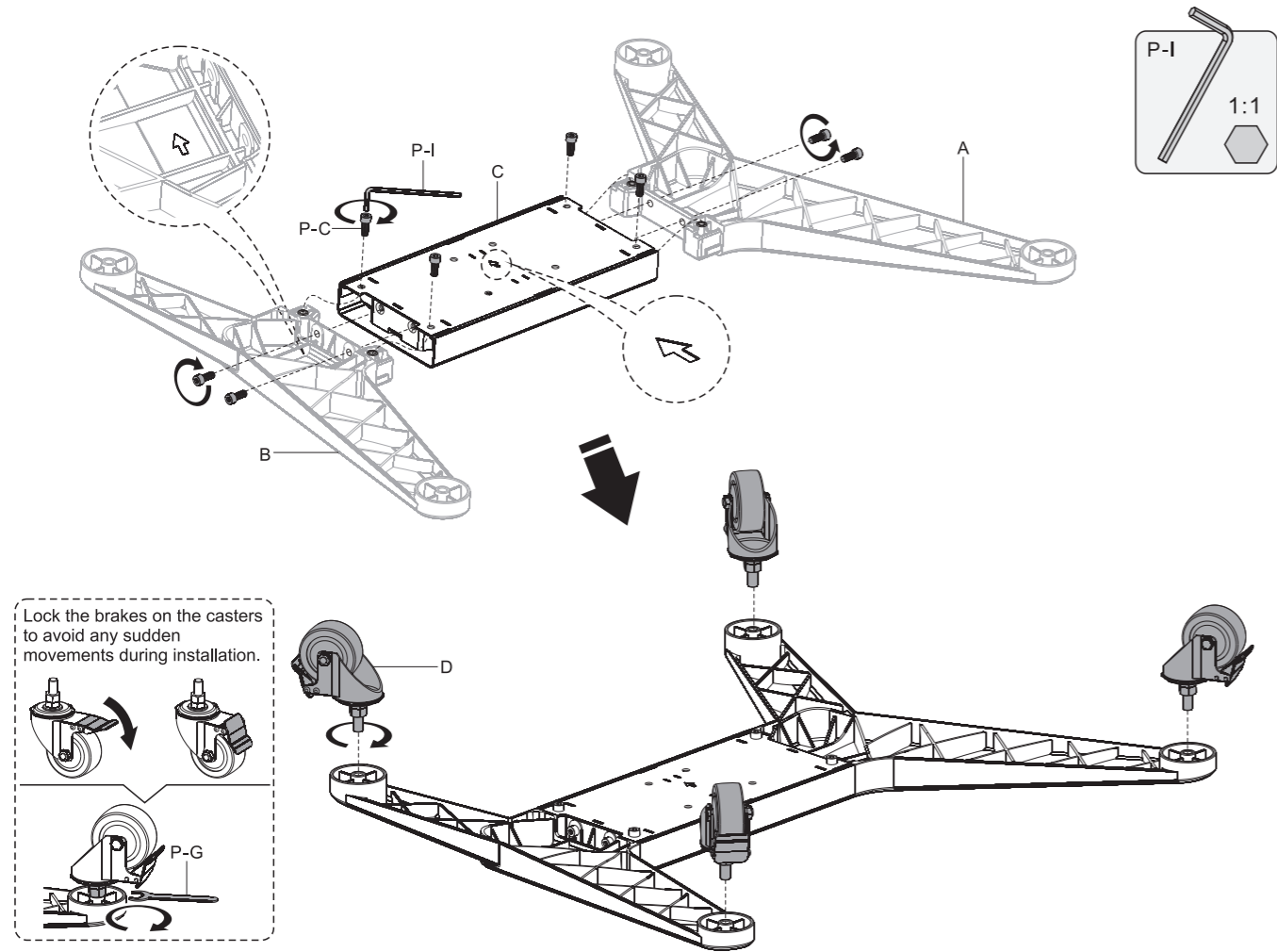
**Package P**



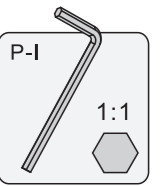
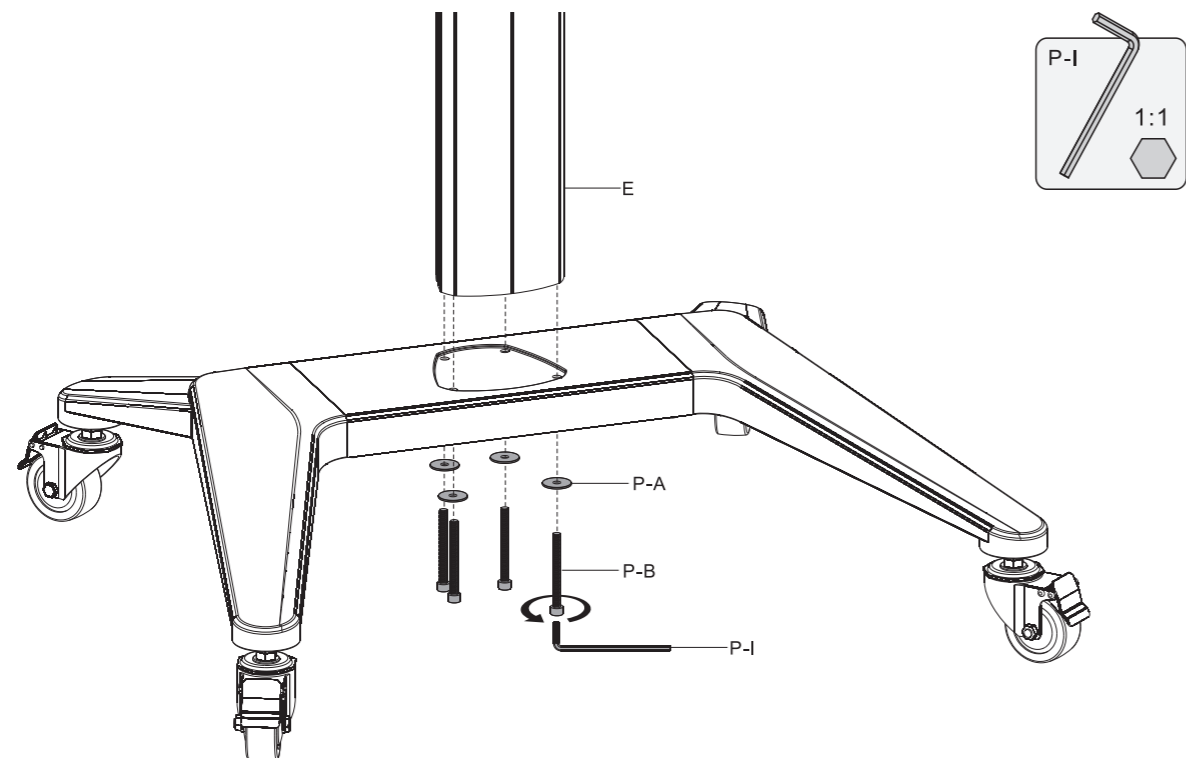
**Package M**



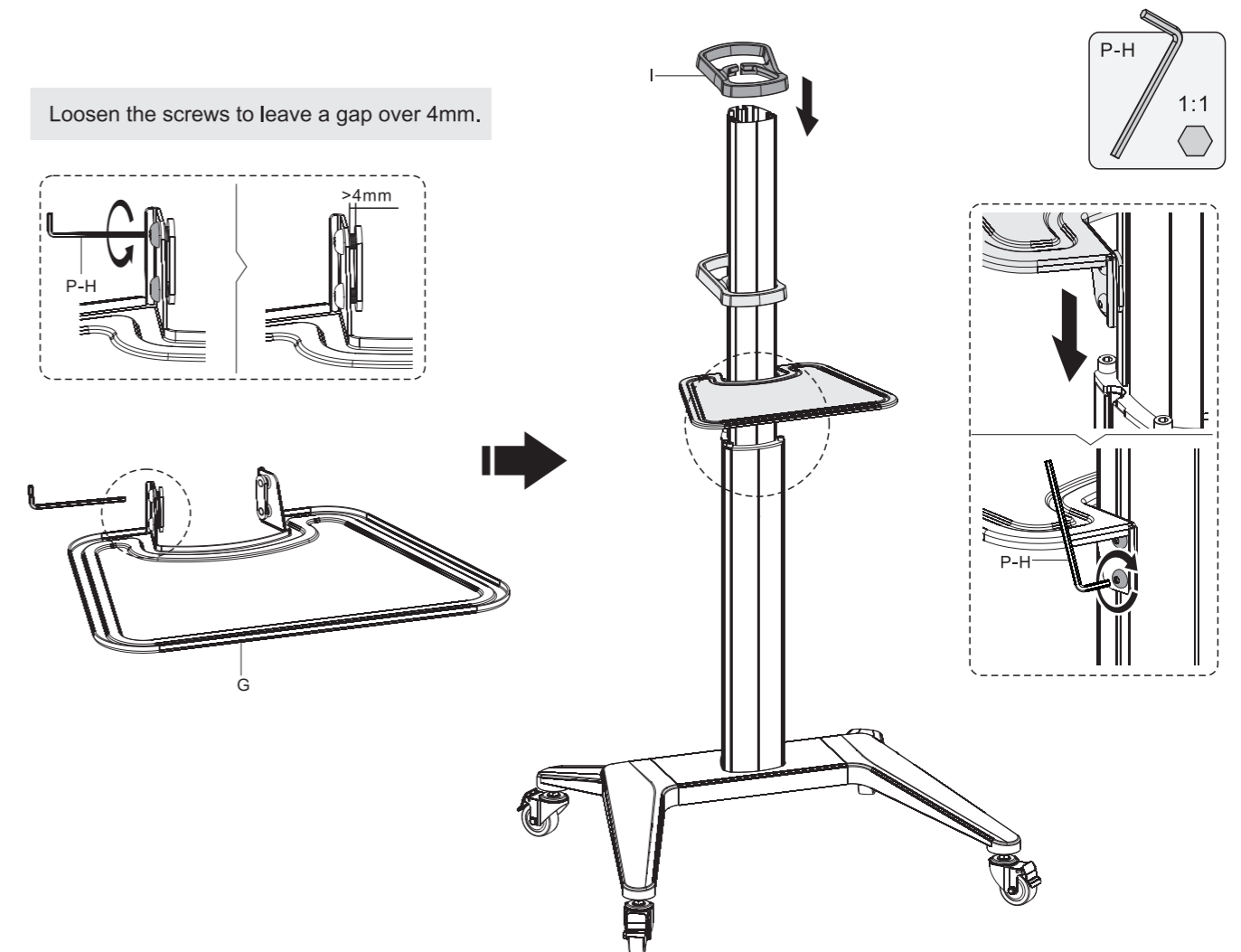
## 1. Assemble the Base



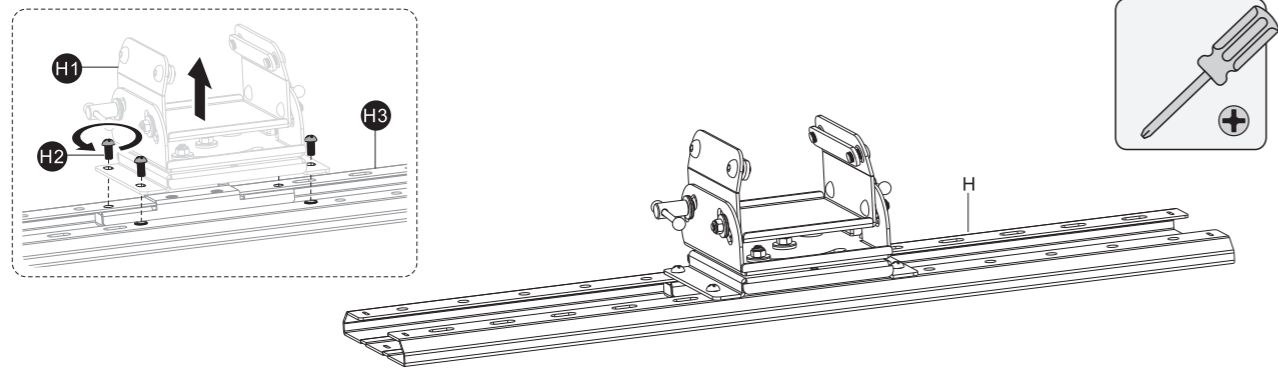
## 2. Assemble the Columns



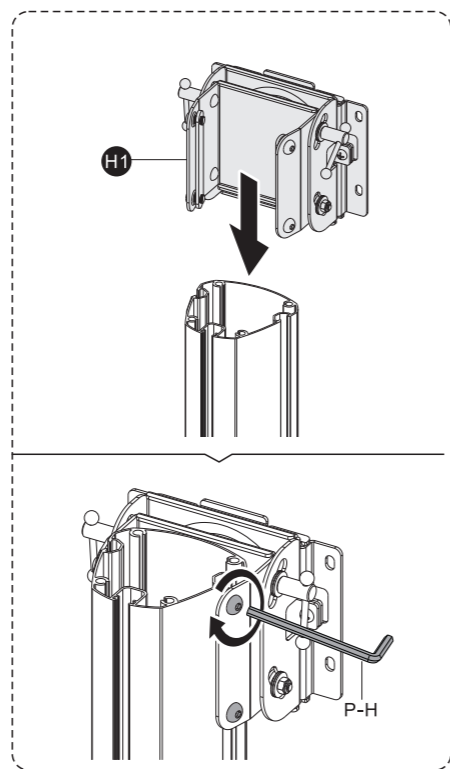
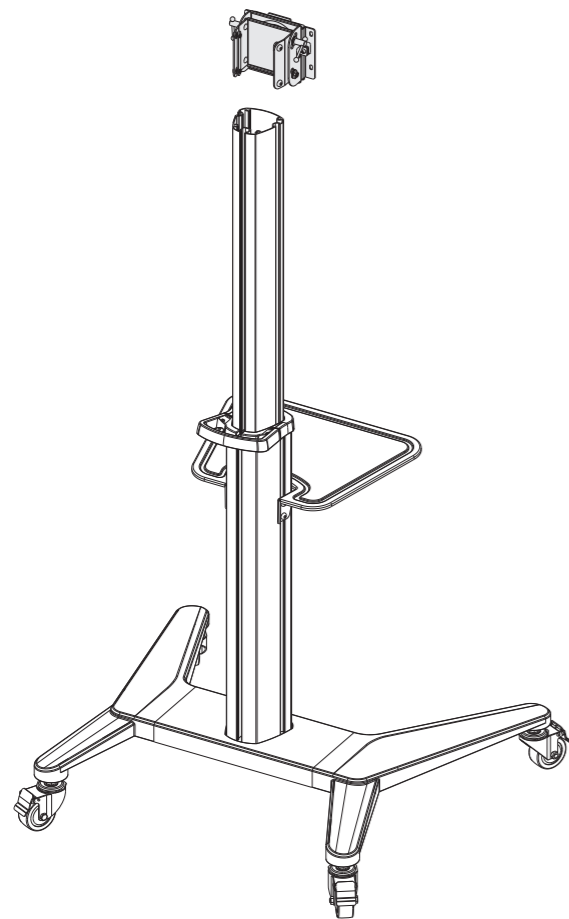
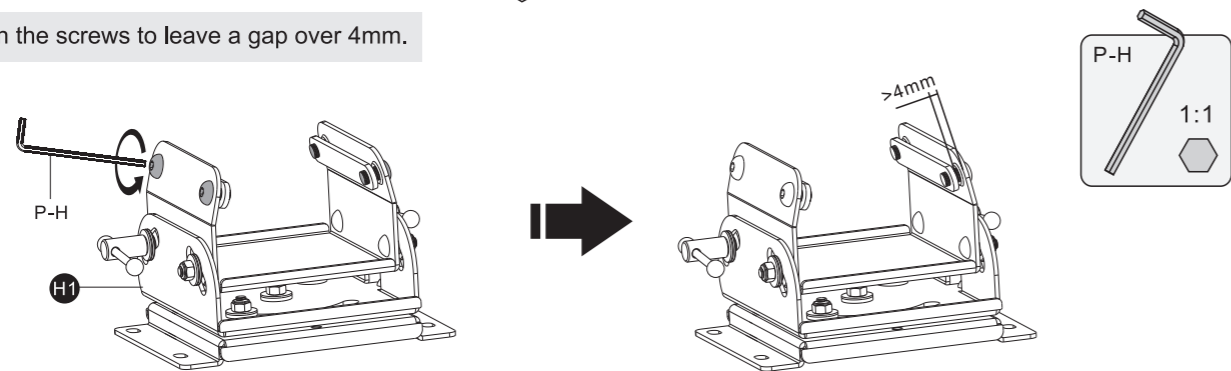
## 3. Assemble the AV Equipment Shelf



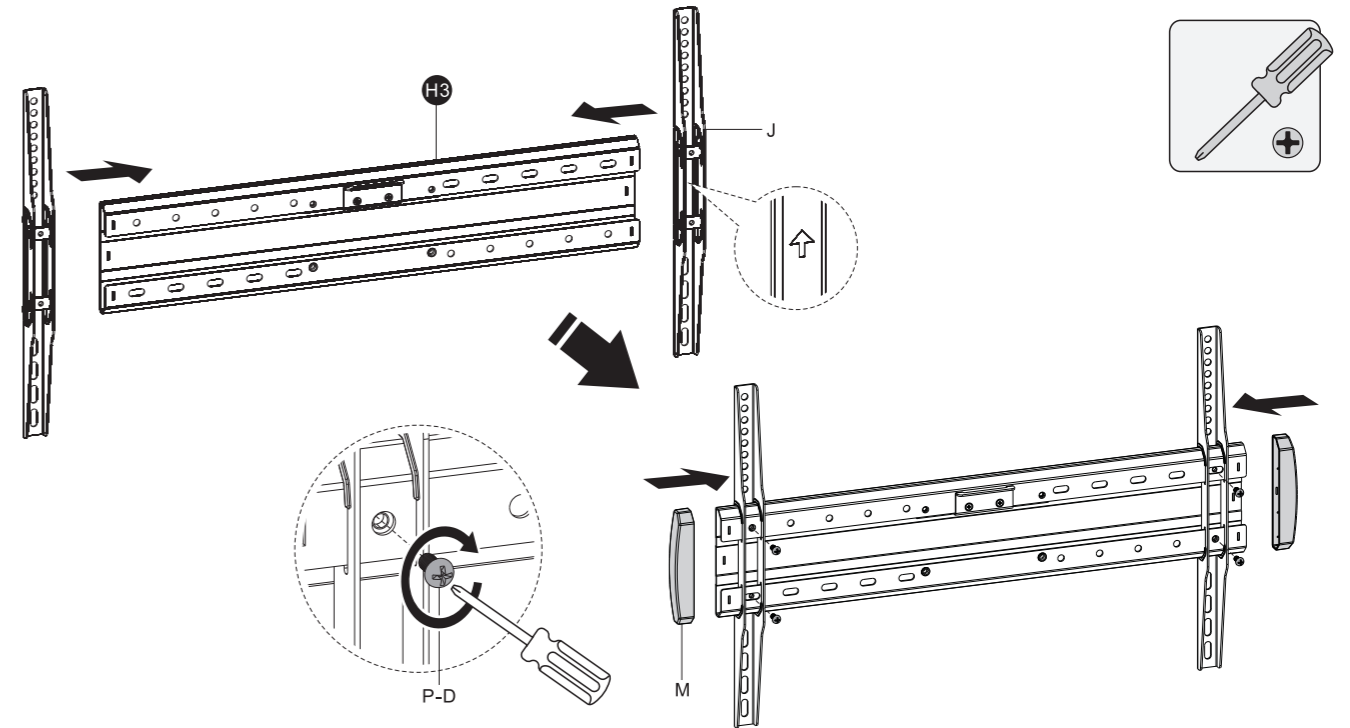
#### 4. Attach the Connector to the Column



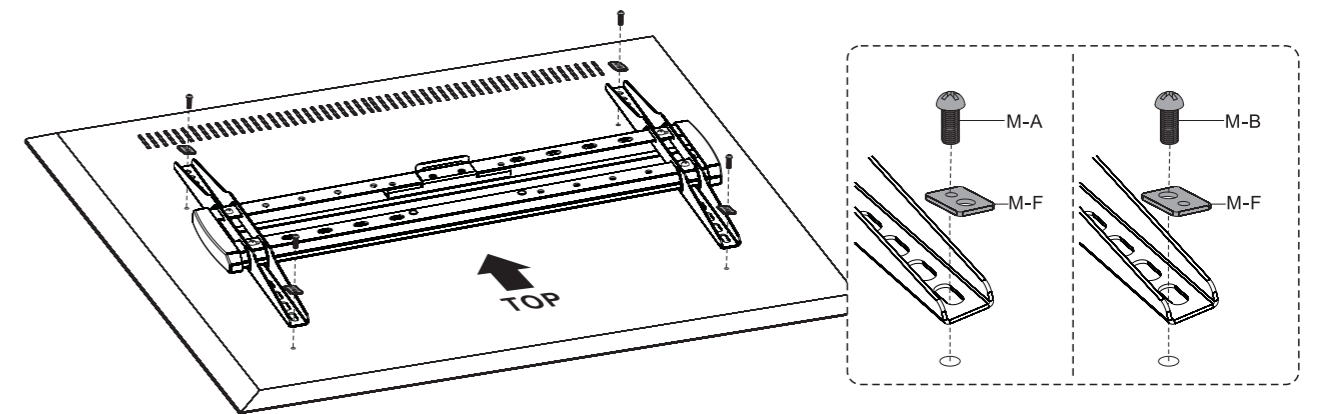
Loosen the screws to leave a gap over 4mm.



#### 5. Attach TV Bracket to the Mounting Plate

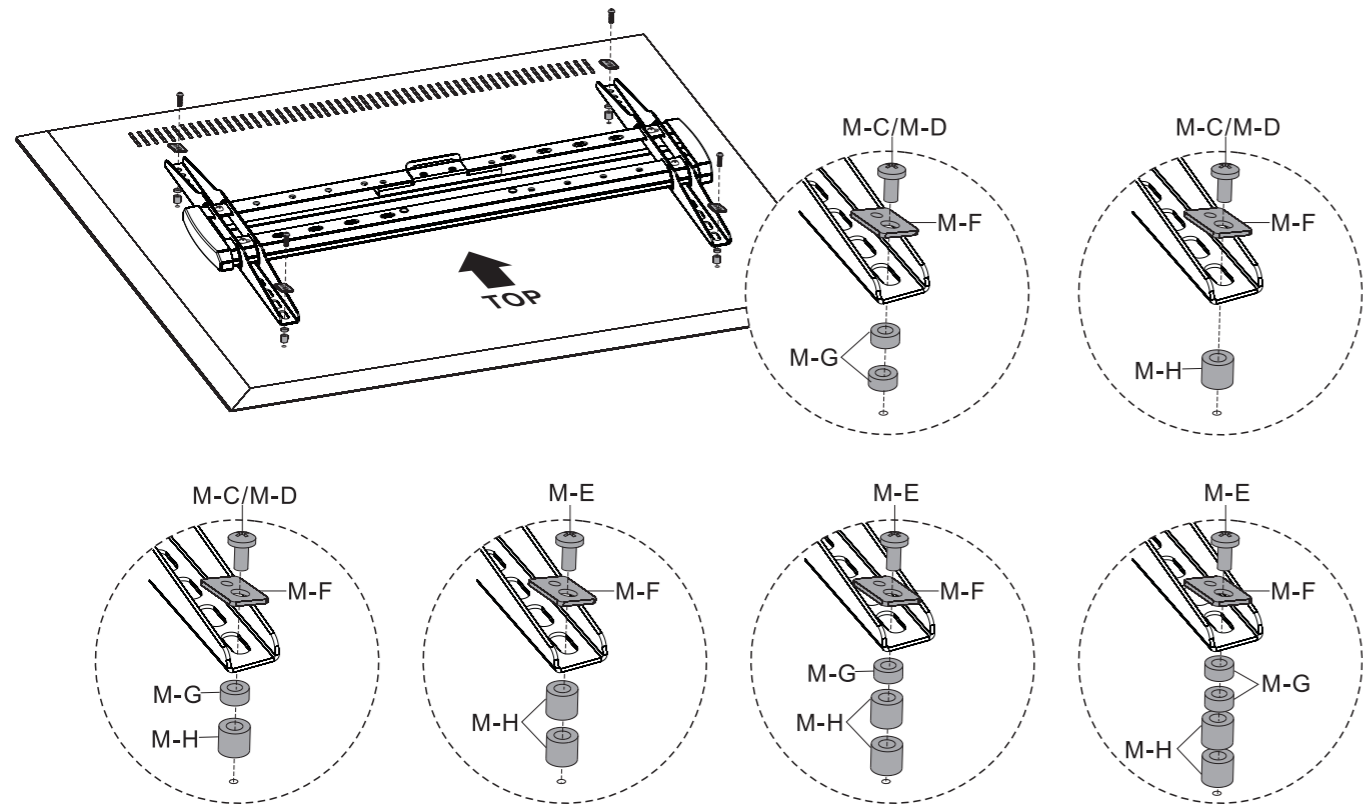
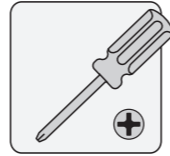
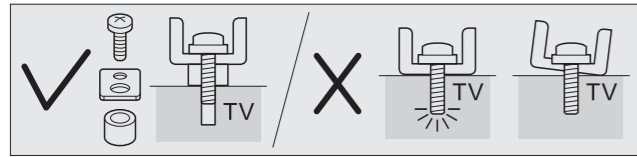


#### 6a. Attach TV Bracket to Flat Back Screen



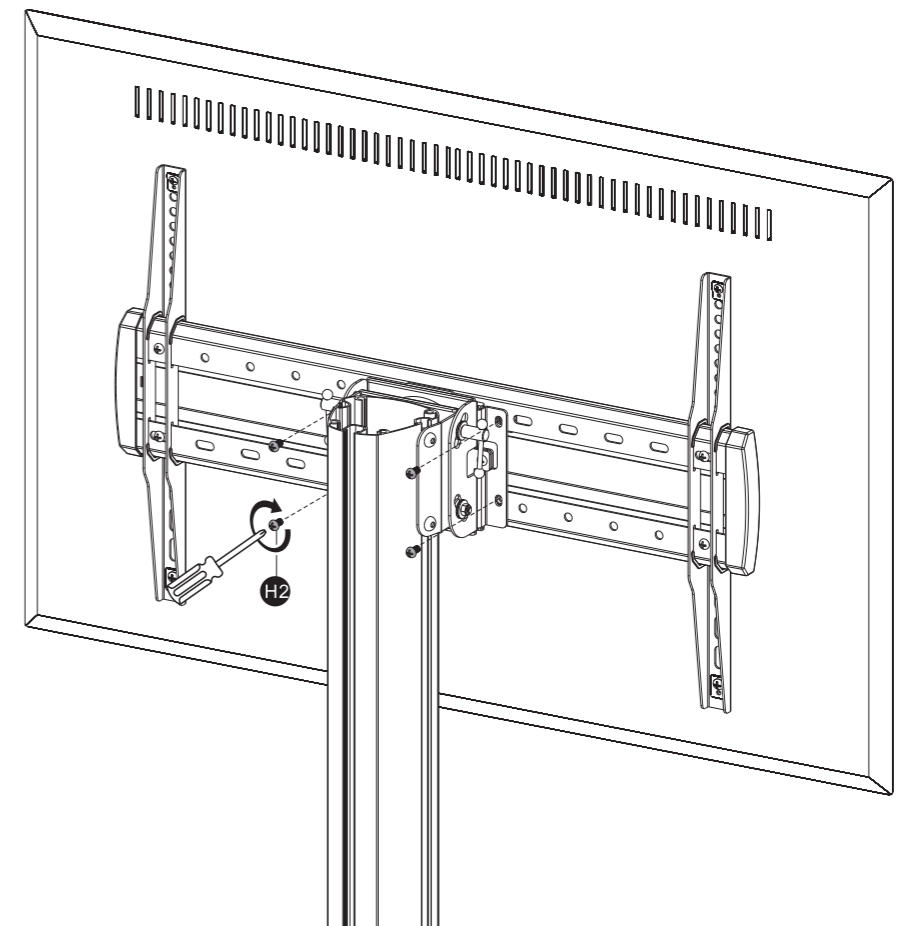
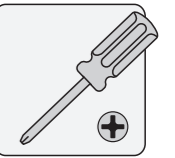
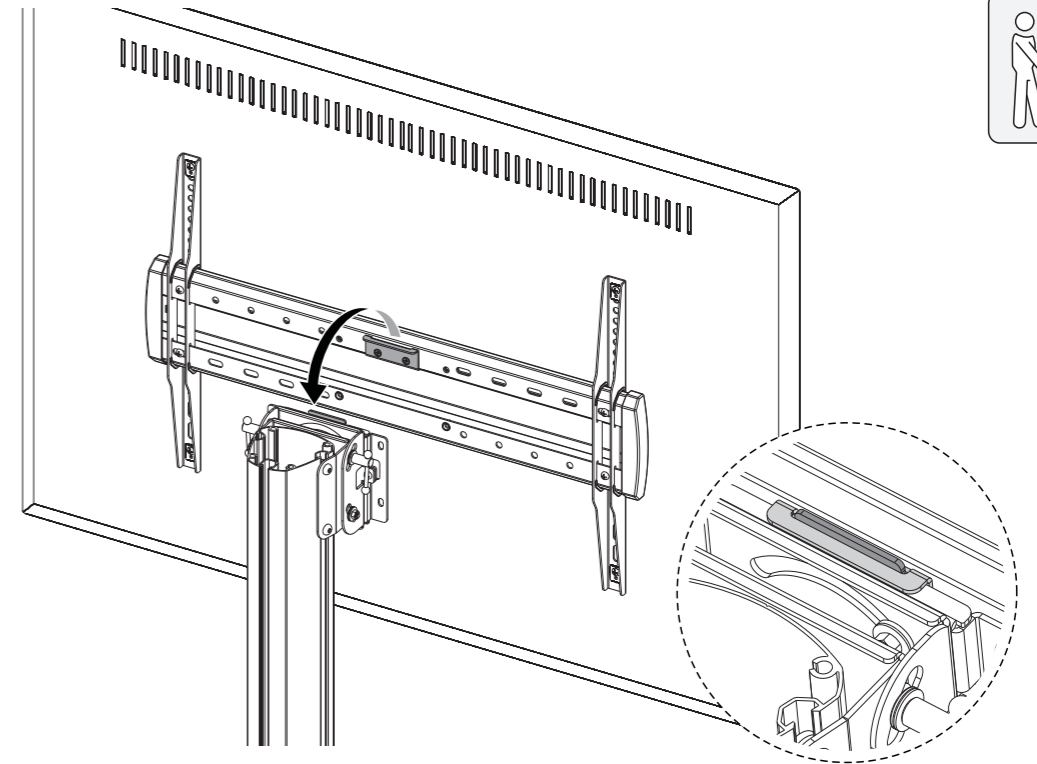
M-A			M-B		
M-F			1:1		

### 6b. Attach TV Bracket to Irregular Back Screen

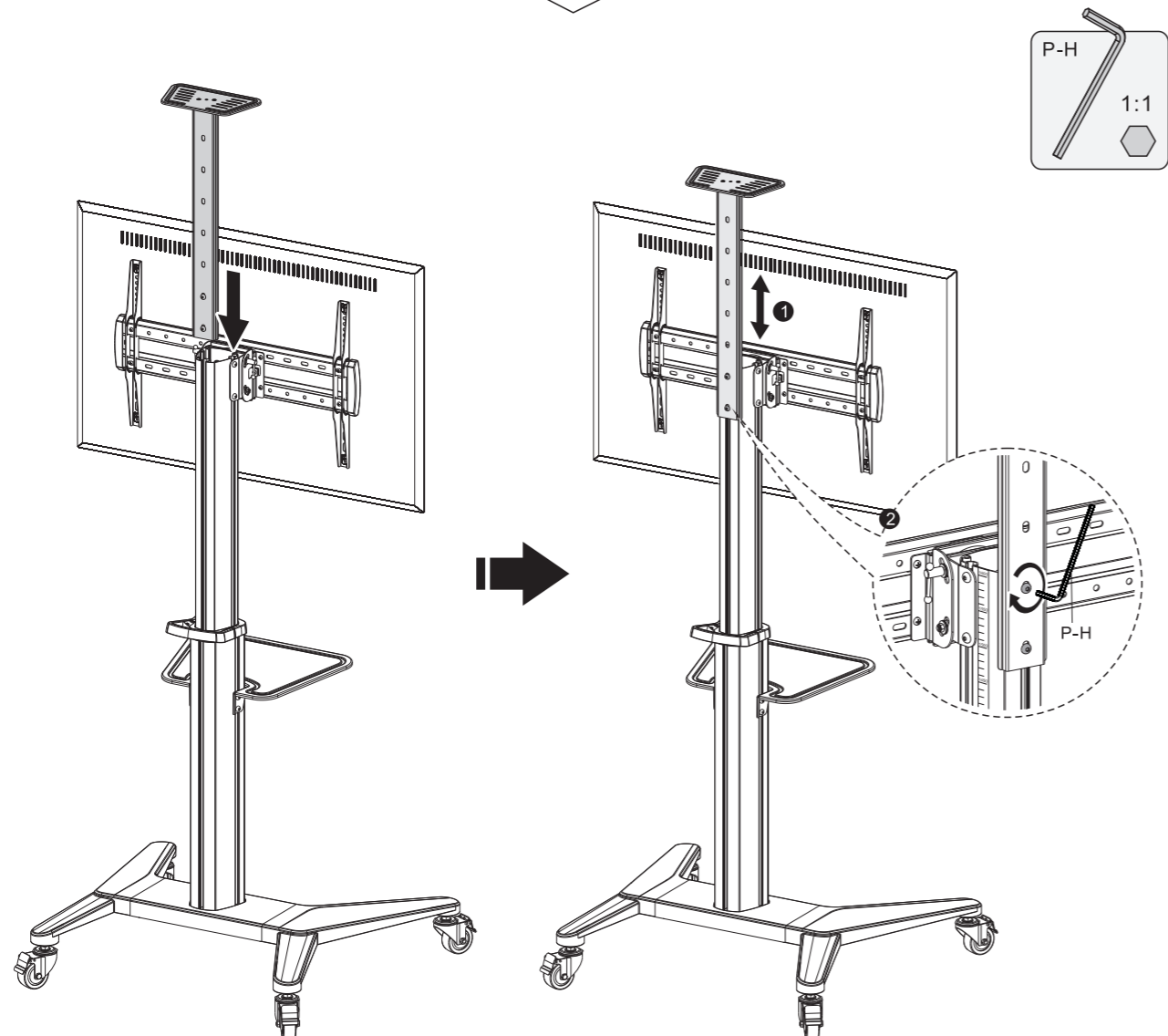
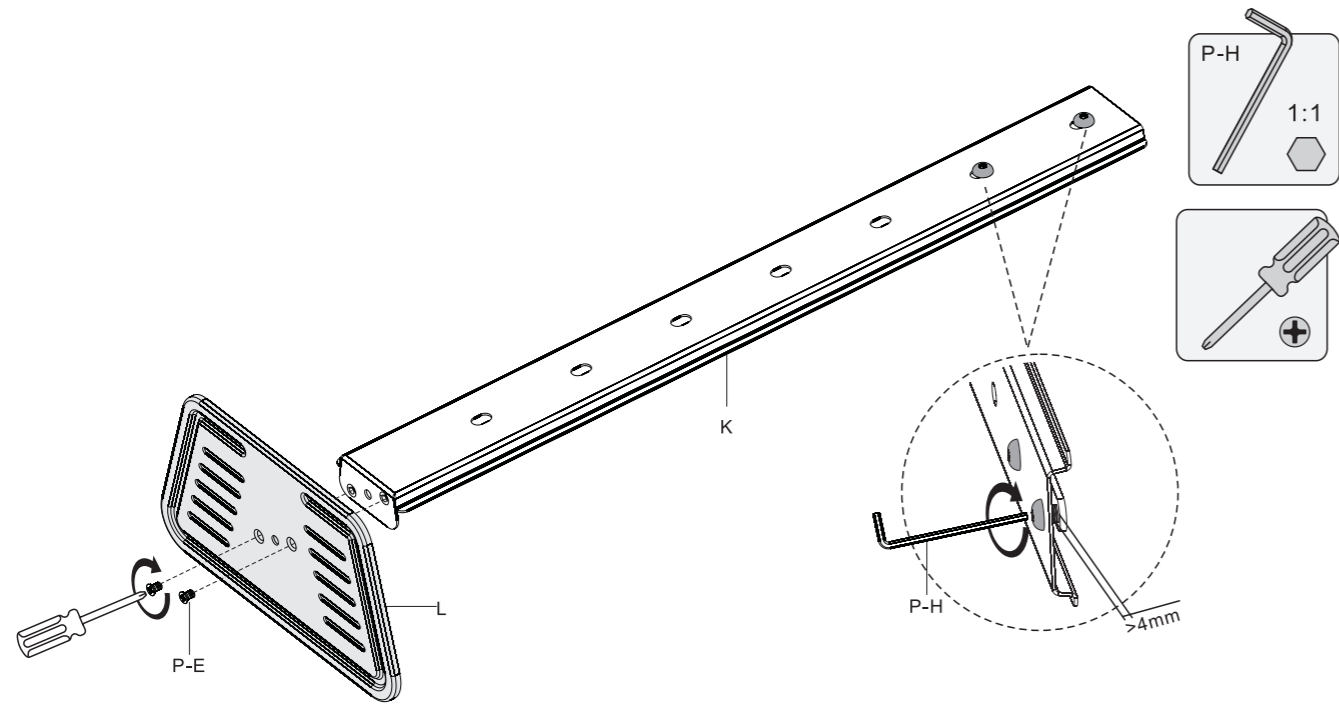


<b>M-C</b>		<b>M-D</b>	
<b>M-E</b>		<b>M-F</b>	
<b>M-G</b>		<b>M-H</b>	

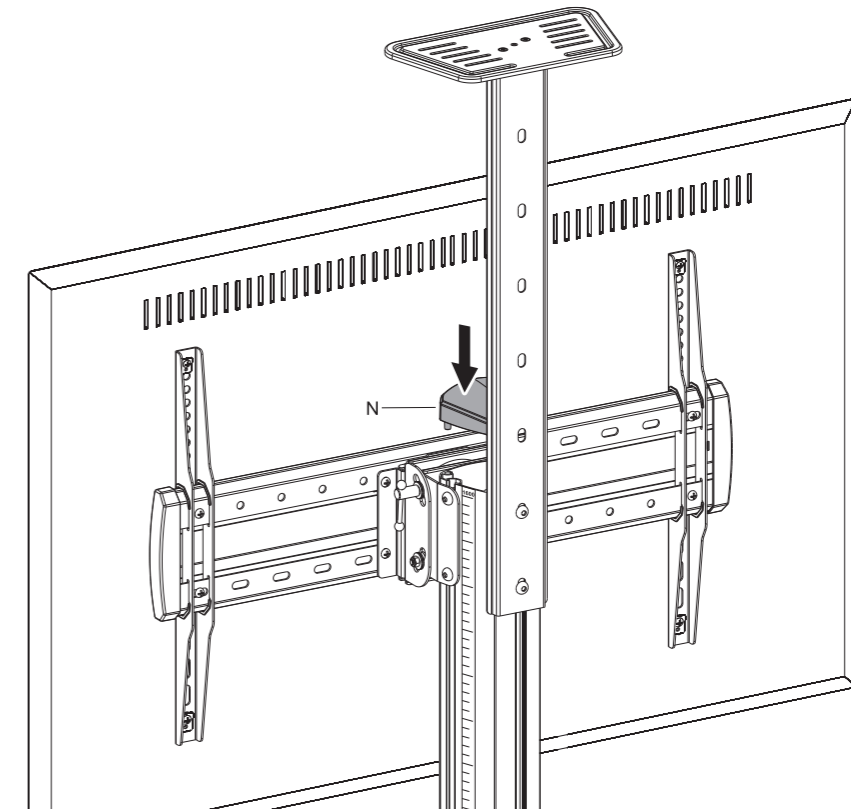
### 7. Hang and Secure the Screen



### 8. Assemble the Camera Shelf



### 9. Assemble the Top Cover



### 10. Cable Management

