



HENDI

Tools for Chefs

DEEP FRYERS

205808, 205815, 205822, 205839, 205846, 205853, 975404, 975428



You should read this user manual carefully before using the appliance.

Bevor Sie das Gerät in Betrieb nehmen, sollten Sie diese Gebrauchsanweisung aufmerksam lesen.

Alvorens de apparatuur in gebruik te nemen dient u deze gebruiksaanwijzing aandachtig te lezen.

Przed uruchomieniem urządzenia należy koniecznie dokładnie przeczytać niniejszą instrukcję obsługi.

Lisez attentivement ce mode d'emploi avant d'utiliser l'appareil.

Prima di utilizzare l'apparecchio in funzione leggere attentamente le istruzioni per l'uso.

Citiți cu atenție prezentul manual de utilizare înainte de folosirea aparatului.

Внимательно прочитайте руководство пользователя перед использованием прибора.

Πρέπει να διαβάσετε αυτές τις οδηγίες χρήσης προσεκτικά πριν χρησιμοποιήσετε τη συσκευή.

Před uvedením spotřebiče do provozu byste si měli pečlivě přečíst návod k použití.

Mielőtt használatba venné a készüléket, kérjük, olvassa el figyelmesen jelen használati útmutatót.

Pred uvedením spotřebiča do prevádzky by ste si mali dôkladne prečítať návod na použitie.

Pred uporabo naprave natančno preberite ta navodila za uporabo.



Keep these instructions with the appliance.
Diese Gebrauchsanweisung bitte beim Gerät aufbewahren.
Bewaar deze handleiding bij het apparaat.
Zachowaj instrukcję urządzenia.
Conservate le istruzioni insieme all'apparecchio.
Pástrať maualul de utilizare alături de aparat.
Tento návod si odložte so spotrebičom.
Хранить руководство вместе с устройством.

Φυλάξτε αυτές τις οδηγίες μαζί με τη συσκευή.
Tento návod k použití prosím uchovávejte v blízkosti spotřebiče.
Uchovajte si tyto pokyny se spotřebičem
Kérjük, jelen használati útmutatót a készülékkel együtt őrizze meg.
Navodila shranite skupaj z napravo.



For indoor use only.
Nur zur Verwendung im Innenbereich.
Alleen voor gebruik binnenshuis.
Do użytku wewnątrz pomieszczeń.
Pour l'usage à l'intérieur seulement.
Destinato solo all'uso domestico.
Doar pentru uz la interior.
Использовать только в помещениях.


Για χρήση μόνο σε εσωτερικό χώρο.
Pouze k použití v interiéru.
Pouze pro vnitřní použití
Csak beltéri használatra.
Samo za uporabo v zaprtih prostorih.



Dear Customer,

Thank you for purchasing this HENDI appliance. Read this manual carefully, paying particular attention to the safety regulations outlined below, before installing and using this appliance for the first time.

Safety regulations


- This appliance is intended for commercial use only.
- Only use the appliance for the intended purpose it was designed for as described in this manual.
- The manufacturer is not liable for any damage caused by incorrect operation and improper use.
- Keep the appliance and electrical plug away from water and other liquids. In the event the appliance falls into water, immediately remove the power plug from the socket. Do not use the appliance until it has been checked by a certified technician. Failure to follow these instructions will cause life threatening risks.
- Never attempt to open the housing of the appliance by yourself.
- Do not insert objects into the housing of the appliance.
- Do not touch the plug with wet or damp hands.
-  **DANGER OF ELECTRIC SHOCK!** Do not attempt to repair the appliance by yourself, repairs are only to be conducted by qualified personnel.
- **Never use a damaged appliance!** When it's damaged, disconnect the appliance from the socket and contact the retailer.
- **WARNING!** Do not immerse the electrical parts of the appliance in water or other liquids.
- Never hold the appliance under running water.
- Regularly check the power plug and cord for any damage. When damaged it must be replaced by a service agent or similarly qualified person in order to avoid danger or injury.
- Make sure the cord does not come in contact with sharp or hot objects and keep it away from open fire. Never pull the power cord to unplug it from the socket, always pull the plug instead.
- Make sure that the power cord and/or extension cord do not cause a trip hazard.
- Never leave the appliance unattended during use.
- **WARNING!** As long as the plug is in the socket the appliance is connected to the power source.
- Turn off the appliance before unplugging it from the socket.
- Connect the power plug to an easily accessible electrical socket so that in case of emergency the appliance can be unplugged immediately.
- Never carry the appliance by the cord.
- Do not use any extra devices that are not supplied together with the appliance.
- Only connect the appliance to an electrical outlet with the voltage and frequency mentioned on the appliance label.
- Never use accessories other than those recommended by the manufacturer. Failure to do so could pose a safety risk to the user and could damage the appliance. Only use original parts and accessories.

EN



- This appliance should not be operated by persons with reduced physical, sensory or mental capabilities, or persons that have a lack of experience and knowledge.
- This appliance should, under any circumstances, not be used by children.
- Keep the appliance and its power cord out of reach of children.
- **WARNING:** ALWAYS switch off the appliance and unplug from power socket before cleaning, maintenance or storage.

Special Safety Regulations

-  **CAUTION! HOT SURFACE!** The temperature of the accessible surface is very hot during use. Touch the icons on the control panel only.
- When this appliance is to be positioned in close proximity to a wall, partitions, kitchen furniture, decorative finishes, etc., it is recommended that they are made of non-combustible material; if not, they shall be clad with a suitable non-combustible heat insulating material, and that the closest attention be paid to fire prevention regulations.
- Do not place the appliance on a heating object (gasoline, electric, charcoal cooker, etc.). Keep the appliance away from any hot surfaces and open flames. Always operate the appliance on a level, stable, clean, heat-resistant and dry surface.
- Do not use the appliance near explosive or flammable materials, credit cards, magnetic discs or radios.
- This appliance is not intended to be operated by means of an external timer or separate remote-control system.
- **WARNING:** Danger of fire exists if oil level below “L” (Min) marking or no oil in the oil container.
- **WARNING:** Do not fry too wet foodstuffs and too much food at each time to avoid excessive foaming and spill out of oil. Maximum batch load is approximately 1kg.
- Allow at least 20 cm spacing around the appliance for ventilation purpose during use.
- Only use suitable oil or fat for frying. Replace the oil or fat at regular intervals. Overcooked or dirty oil or fat can be ignited if it is overheated.”
- Do not use plastic cutlery during operation.
- **DANGER!** Never use old oil, old oil has a reduced flash point and is more prone to surge boiling which increases the risk of fire and dangerous situations.
- **WARNING!** Deep frying moist foods and large quantities at once has an negative influence on the boiling point of the oil.
- **WARNING!** Don't fry too much food at once, maximum load is approximately 2kg.
- Always clean the appliance and other accessories after each use (-->Cleaning and maintenance).
- Do not use water jet, flush directly with water or steam cleaner as the parts will get wet and electric shock might be resulted.
- **CAUTION!** Securely route the power cord if necessary in order to prevent unintentional pulling or contact with the heating surface.
- Do not wash the appliance with water. Washing can cause leakages and increase the risk of electric shock.

- Do not clean or store the appliance unless it is completely cooled down.
- No part is dishwasher safe.
- Always remove the plug from the socket when filling or cleaning the deep fryer.
- The electrical installation must satisfy the applicable national and local regulations.
- The Fryer tank and element should be placed in a safe position in your kitchen before usage due to the hot contents when in use.

Intended use

- This appliance is intended for professional use and can be operated only by qualified personnel.
- The appliance is designed only for frying appropriate food only such as French fries, etc. Any other use may lead to damage of the appliance or personal injury.
- Operating the appliance for any other purpose shall be deemed a misuse of the device. The user shall be solely liable for improper use of the device.

Grounding installation

This appliance is classified as **protection class I** and must be connected to a protective ground. Grounding reduces the risk of electric shock by providing an escape wire for the electric current.

This appliance is fitted with a power cord that has a grounding wire and grounded plug. The plug must be plugged into an outlet that is properly installed and grounded.

Preparations before using for the first time

- Check to make sure the appliance is undamaged. In case of any damage, contact your supplier immediately and do NOT use the appliance.
- Remove all the packing material and protection film (if applicable).
- Clean the appliance with luke-warm water and a soft cloth.
- Place the appliance on a level and steady surface, unless mentioned otherwise.
- Make sure there is enough clearance around the appliance for ventilation purposes.
- Position the appliance in such a way that the plug is accessible at all times.
- Keep the packaging if you intend to store your appliance in the future.

Installation

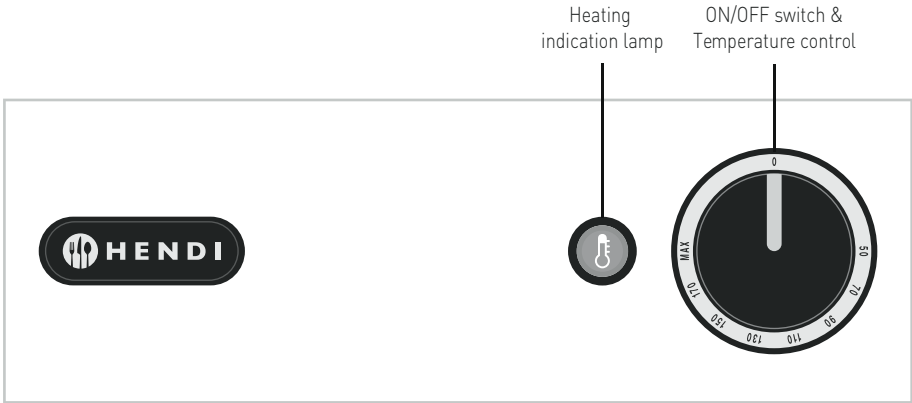
- Place the appliance on a level, stable, clean, heat-resistant and dry surface with its rubber feet.
- Carefully install the back support with heating element on the rear edge of the oil container.

Note:

1. Make sure that the pin on the back support is in the correct position & properly mounted.
2. The appliance should be placed in a safe position in your kitchen before use due to hot hazard when in use.



Control Panel



Use

- Remove the plug from the socket.
- Fill the container with oil or hydrogenated oil until the H - mark (MAX level) line.
Note! Solid fats must be preheated before filling, this avoids burnt fat and overloading.
- Plug the earthed plug into an earthed socket.
- Set the thermostat to the desired temperature. The orange lamp will light.
- When the set temperature is reached, the orange lamp goes out.
- You can now use the deep fryer.

EN

Deep-frying

The deep fryer is designed with a unique cold zone to allow crumbs and residue to sink to the bottom this also enables the usable life of the fat/oil to extend considerably.

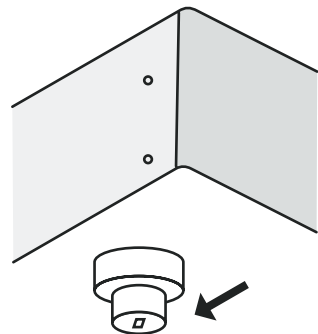
Regularly check if there is sufficient oil or fat in the container. The level should never be below the MIN line.

RESET the Hi-limiter (thermal cut-out)

Please note that the RESET button is located at the bottom of the detachable control panel with a protective cap (See line drawing)

- Unplug the deep fryer from the electrical outlet first.
- Allow the deep fryer to completely cool down.
- Remove the detachable control panel from the support.
- Unscrew the black protective cap of the RESET button.
- Press the RESET button of the Hi-limiter (thermal cut-out). You should hear a click sound.
- Screw back the protective cap on the RESET button.

- Reinstall the detachable control panel on the support.



Deep frying tips

- Only use liquid frying oil or fat (preferably).
- The recommended temperature for frying chips and snacks is 175°C max.
- Heat the oil slowly. Preferably in 3 steps for example first at 100°C, then from 100-140°C and later from 140°C to 175°C with 15 minute breaks between steps.
- Remove ice and crumbs from frozen foods.
- Do not deep-fry too much at one time. This can cause the oil or fat to cool down too much. Cooled down oil/fat does not properly sear the surface of

the food, so that more fat will be absorbed. The ideal proportion of frozen products to frying oil/fat is 1:10 maximum.

- When used intensively, crumbs and other debris should be filtered out of the oil/fat.
- Replace oil or fat in time. Use test strips or test equipment regularly to track when oil/fat should be replaced.
- If oil or fat starts to foam, smoke or gets too viscous you should replace it. Also replace the oil/fat when it has a strong smell or taste.

Solid Fat

- If you use against our advice solid fat anyway: heat the oil slowly in the lowest position until melted. When the fat has melted you can set the proper frying temperature.
- When using solid fat, allow the blocks of fat to melt slowly on a moderate heat in a normal frying

pan. Carefully pour the melted fat into the deep fat fryer. Plug in the mains plug and switch on the deep fat fryer.

- Remove the deep frying basket after use from the fat. This prevents the basket becoming stuck in the solidified fat.

After use

- Turn off the appliance by switching off the switch and removing the plug from the socket.
- Remove the basket from the fat. This avoids the basket becoming stuck in the solidified fat.

- Put the lid on the deep fryer, so that the fat does not age.

Cleaning and maintenance

- Always remove the plug from the socket before cleaning the appliance.
- Beware: Never immerse the appliance in water or any other liquid!
- Clean the outside of the appliance with a damp cloth (water with mild detergent).
- Never use aggressive cleaning agents or abrasives. Do not use any sharp or pointed objects. Do not use petrol or solvents! Clean with a damp

cloth and detergent if necessary. Do not use abrasive materials.

- Do not clean the appliance with steam cleaner or water jet.
- Assemble the appliance after cleaning and make sure that the heating & control panel is mounted properly, otherwise the appliance will not function.



Troubleshooting

Fault	Symptom	Possible cause	Possible solution
Appliance does not do anything	Orange light doesn't light	No mains voltage	Check the electrical installation. Switch light defective
		Hi-limiter (thermal cut-out) tripped.	Reset the Hi-limiter (thermal cut-out) [See RESET on page 6]
		Hi-limiter (thermal cut-out) defective	Contact your supplier
		Thermostat defective	Contact your supplier
Appliance does not reach the set temperature.	Long frying time.	Thermostat defective	Contact your supplier
		Element defective	Contact your supplier

**If after these controls, the malfunctioning continues, it is advisable to contact technical assistance.
In case of any doubt, always contact your supplier!**

Technical specification

Item no.	205808	205815	205822	205839	205846	205853
Operating voltage and frequency	230V~ 50Hz					
Rated power	3000W	3300W	3500W	3500W x 2	3000W x 2	3300W x 2
Protection class	Class I					
Waterproof protection class	IPX3					
Temperature range	50-190°C					
Capacity	4L	6L	8L	8L x 2	4L x 2	6L x 2
Dimensions	217x380x (H)300mm	265x430x (H)290mm	265x430x (H)345mm	550x430x (H)345mm	470x420x (H)330mm	550x430x (H)290mm
Net weight (approx.)	5kg	5.4kg	6kg	11kg	8.5kg	9.5kg

Item no.	975404	975428
Operating voltage and frequency	230V~ 50Hz	
Rated power	2200W	3500W
Protection class	Class I	
Waterproof protection class	IPX3	
Temperature range	50-190°C	
Capacity	4L	8L
Dimensions	217x380x (H)300mm	265x430x (H)345mm
Net weight (approx.)	5kg	6kg

Remarks: Technical specification is subjected to change without prior notification.



Warranty

Any defect affecting the functionality of the appliance which becomes apparent within one year after purchase will be repaired by free repair or replacement provided the appliance has been used and maintained in accordance with the instructions and has not been abused or misused in any way. Your statutory rights are not affected. If the appliance is claimed under warranty, state where and

when it was purchased and include proof of purchase (e.g. receipt).

In line with our policy of continuous product development we reserve the right to change the product, packaging and documentation specifications without notice.

Discarding & Environment

When decommissioning the appliance, the product must not be disposed of with other household waste. Instead, it is your responsibility to dispose of your waste equipment by handing it over to a designated collection point. Failure to follow this rule may be penalized in accordance with applicable regulations on waste disposal. The separate collection and recycling of your waste equipment at the time of disposal will help conserve natural re-


sources and ensure that it is recycled in a manner that protects human health and the environment. For more information about where you can drop off your waste for recycling, please contact your local waste collection company. The manufacturers and importers do not take responsibility for recycling, treatment and ecological disposal, either directly or through a public system.



Sehr geehrter Kunde,

Vielen Dank für den Kauf dieses Hendi Gerät. Lesen Sie dieses Handbuch sorgfältig und achten Sie besonders auf die unten aufgeführten Sicherheitsvorschriften, bevor Sie dieses Gerät zum ersten Mal installieren und verwenden.

Sicherheitsvorschriften


- Dieses Gerät ist nur für den gewerblichen Gebrauch bestim.
- Verwenden Sie das Gerät nur für den vorgesehenen Zweck, für den es entworfen wurde, wie in diesem Handbuch beschrieben.
- Der Hersteller haftet nicht für Schäden, die durch fehlerhafte Bedienung und unsachgemäße Verwendung verursacht werden.
- Halten Sie das Gerät und den elektrischen Stecker von Wasser und anderen Flüssigkeiten fern. Falls das Gerät in Wasser fällt, entfernen Sie sofort den Netzstecker von der Steckdose. Verwenden Sie das Gerät erst, wenn es von einem zertifizierten Techniker überprüft wurde. Die Nichtbefolgung dieser Anweisungen führt zu lebensbedrohlichen Risiken.
- Versuchen Sie niemals, das Gehäuse des Geräts selbst zu öffnen.
- Legen Sie keine Objekte in das Gehäuse der Appliance ein.
- Berühren Sie den Stecker nicht mit nassen oder feuchten Händen.
-  **GEFAHR EINES ELEKTRISCHEN SCHLAGS!** Versuchen Sie nicht, das Gerät selbst zu reparieren, Reparaturen sind nur von qualifiziertem Personal durchzuführen.
- **Verwenden Sie niemals ein beschädigtes Gerät!** Wenn es beschädigt ist, trennen Sie das Gerät von der Steckdose und wenden Sie sich an den Händler.
- **WARNUNG!** Tauchen Sie die elektrischen Teile des Geräts nicht in Wasser oder andere Flüssigkeiten ein.
- Halten Sie das Gerät niemals unter fließendem Wasser.
- Überprüfen Sie regelmäßig den Netzstecker und das Kabel auf Beschädigungen. Bei Beschädigung muss es durch einen Dienstleister oder eine ähnlich qualifizierte Person ersetzt werden, um Gefahren oder Verletzungen zu vermeiden.
- Stellen Sie sicher, dass das Kabel nicht mit scharfen oder heißen Gegenständen in Berührung kommt und halten Sie es von offenem Feuer fern. Ziehen Sie niemals das Netzkabel, um es von der Steckdose zu trennen, ziehen Sie stattdessen immer den Stecker.
- Stellen Sie sicher, dass das Netzkabel und/oder das Verlängerungskabel keine Auslösegefahr verursachen.
- Lassen Sie die Appliance während des Gebrauchs niemals unbeaufsichtigt.
- **WARNUNG!** Solange sich der Stecker in der Steckdose befindet, wird das Gerät an die Stromquelle angeschlossen.
- Schalten Sie die Appliance aus, bevor Sie sie vom Sockel trennen.
- Schließen Sie den Netzstecker an eine leicht zugängliche Steckdose an, so dass das Gerät im Notfall sofort abgenommen werden kann.

DE



- Tragen Sie das Gerät niemals an der Schnur.
- Verwenden Sie keine zusätzlichen Geräte, die nicht zusammen mit der Appliance geliefert werden.
- Schließen Sie das Gerät nur an eine Steckdose mit der Spannung und Frequenz an, die auf dem Etikett des Gerätes angegeben ist.
- Verwenden Sie niemals anderes Zubehör als das vom Hersteller empfohlene Zubehör. Andernfalls könnte ein Sicherheitsrisiko für den Benutzer darstellen und das Gerät beschädigen. Verwenden Sie nur Originalteile und Zubehör.
- Dieses Gerät sollte nicht von Personen mit eingeschränkter körperlicher, sensorischer oder geistiger Leistungsfähigkeit oder von Personen mit mangelnder Erfahrung und Kenntnisnahme betrieben werden.
- Dieses Gerät sollte unter keinen Umständen von Kindern verwendet werden.
- Bewahren Sie das Gerät und das Netzkabel außerhalb der Reichweite von Kindern auf.
- **ACHTUNG:** Schalten Sie das Gerät immer aus und ziehen Sie es vor der Reinigung, Wartung oder Lagerung von der Steckdose ab.

Besondere Sicherheitsvorschriften

-  **ACHTUNG! HEISSE FLÄCHE!** Während des Betriebs ist die Temperatur der zugänglichen Oberfläche des Geräts sehr hoch. Berühren Sie ausschließlich die Tasten des Steuerpanels.
- Wenn das Gerät in unmittelbarer Nähe zu einer Wand, Trennwänden, Küchenmöbeln, dekorativen Oberflächen usw. gestellt werden soll, empfiehlt es sich ihre Bedeckung mit feuerbeständigen Materialien; wenn dieses aber nicht möglich ist, sind diese Oberflächen mit einem geeigneten nicht brennbaren, wärmedämmenden Material bekleidet, wobei die Brandschutzvorschriften zu beachten sind.
- Stellen Sie das Gerät nicht auf einen wärmemittlernden Gegenstand (Gasherd, Elektroherd, Grill, usw.). Lagern Sie es weit entfernt von heißen Flächen oder offenem Feuer. Stellen Sie das Gerät auf eine ebene, stabile, saubere und trockene Fläche auf, die auch gegen die Einwirkung hoher Temperaturen beständig ist.
- Das Gerät darf auch in der Nähe von explosiven oder leichtbrennbaren Materialien, Geldkarten, Magnetplatten oder Rundfunkempfängern nicht verwendet werden.
- Das Gerät ist für die Bedienung durch einen externen Timer oder ein gesondertes Fernsteuersystem nicht geeignet.
- **WARNUNG:** Wenn der Ölstand im Behälter unter die L-Markierung (Minimalwert) greift oder wenn der Behälter leer ist, besteht eine Brandgefahr.
- **WARNUNG:** Backen Sie im Gerät keine Lebensmittel aus, die viel Wasser enthalten, um so das Schäumen und Überschwappen des Öls zu verhindern. In die Ausbackkammer kann man maximal 1 kg der Lebensmittel einlegen.
- Belassen Sie einen Freiraum von mindestens 20 cm rundum das Gerät, um eine richtige Belüftung zu gewährleisten.
- Verwenden Sie ausschließlich das Bratöl. Tauschen Sie regelmäßig Öl oder Fett im Behälter aus. Altes oder verschmutztes Öl kann sich nach seinem Aufwärmen auf eine zu sehr hohe Temperatur brennen.



- Verwenden Sie kein Besteck aus Kunststoff während des Betriebs des Geräts.
- **GEFAHR!** Verwenden Sie niemals Altöl, da es einen niedrigeren Flammpunkt hat und für das plötzliche Sieden anfälliger ist, was das Risiko von Feuer oder gefährlichen Situationen erhöht.
- **WARNUNG!** Das Einlegen von Lebensmitteln mit einem zu großen Wassergehalt oder in einer zu großen Menge beeinflusst das Erreichen des Siedepunktes durch das Öl.
- Aus Sicherheitsgründen darf man bei jedem Braten nicht zu große Menge von Lebensmitteln (maximal ca. 2 kg) einlegen.
- Reinigen Sie das Gerät und sein Zubehör nach jedem Gebrauch (--> Reinigung und Wartung).
- Reinigen Sie das Gerät nicht mit einem Wasserstrahl unter Druck oder einem Dampfreiniger, spülen Sie das Gerät nicht mit Wasser ab, da die Teile im Gerät feucht werden oder eingetaucht werden können, was den Stromschlag verursacht.
- **ACHTUNG!** Führen und sichern Sie entsprechend das Stromkabel, um ein unbeabsichtigtes Ziehen oder Berühren der erhitzten Oberfläche zu vermeiden.
- Reinigen Sie das Gerät nicht mit Wasser. Beim Waschen des Geräts kann Wasser in den elektrischen Teil gelangen und so zu einem Stromschlag führen.
- Reinigen und stellen Sie das Gerät nicht am Lagerort ab, bis es nicht völlig abgekühlt ist.
- Die Teile des Geräts dürfen in der Spülmaschine nicht gereinigt werden.
- Ziehen Sie den Stecker aus der Steckdose, bevor das Gerät gereinigt oder gefüllt wird.
- Die Elektroanlage muss entsprechende nationale und örtliche Anforderungen erfüllen.
- Stellen Sie sich sicher, dass sich der Ölbehälter und das Heizelement an einer sicheren Stelle in der Küche wegen einer hohen Temperatur des Geräts während des Betriebs befinden.

DE

Verwendungszweck

- Dieses Gerät ist für den professionellen Gebrauch bestimmt und darf nur von qualifiziertem Personal bedient werden.
- Das Gerät ist für den gewerblichen Einsatz bestimmt und dient zum das Frittieren geeigneter Lebensmittel, wie z.B. Pommes frites usw. konzipiert. Die Verwendung des Gerätes für andere

Zwecke kann zu seiner Beschädigung sowie zu Körperverletzungen führen.

- Jede andere Verwendung des Gerätes gilt als nicht bestimmungsgemäß. Der Benutzer ist allein verantwortlich für die unsachgemäße Nutzung des Gerätes.

Erdungsinstallation

Dieses Gerät ist als **Schutzklasse I** eingestuft und muss mit einer Schutzerde verbunden werden. Die Erdung reduziert das Risiko eines elektrischen Schlags, indem ein Fluchtkabel für den elektrischen Strom bereitgestellt wird. Dieses Gerät ist

mit einem Netzkabel mit einem Erdungskabel und einem geerdeten Stecker ausgestattet. Der Stecker muss in eine Steckdose gesteckt werden, die ordnungsgemäß installiert und geerdet ist.



Vorbereitung der Inbetriebnahme

- Das Gerät auf Schäden hin prüfen. Setzen Sie sich im Beschädigungsfall sofort mit Ihrem Lieferanten in Verbindung und benutzen Sie das Gerät NICHT.
- Die gesamte Verpackung und eventuell vorliegende Schutzfolie entfernen.
- Das Gerät mit lauwarmem Wasser und einem weichen Tuch reinigen.
- Das Gerät waagrecht hinstellen sofern nicht anders angegeben ist.
- Um das Gerät herum sollte ausreichender Freiraum vorliegen.
- Das Gerät so aufstellen, dass der Stecker jederzeit abgezogen werden kann.
- Bewahren Sie die Verpackung auf, wenn Sie Ihr Gerät in Zukunft lagern wollen.

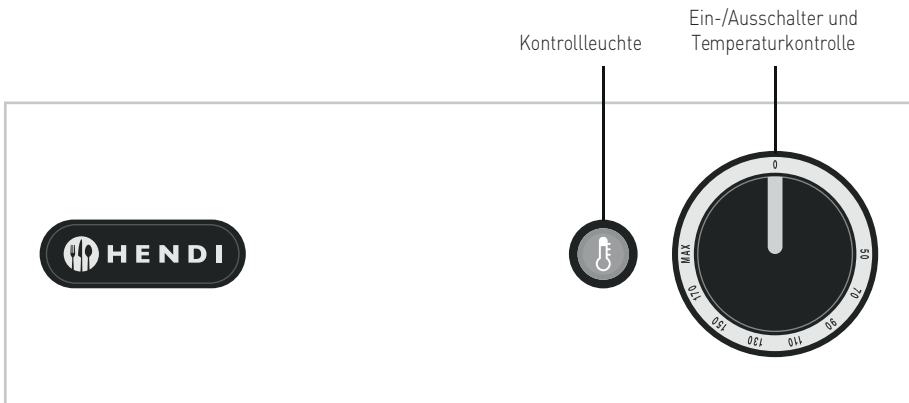
Montage

- Das Gerät ist mit Gummifüßen ausgestattet. Stellen Sie das Gerät auf eine ebene, stabile, saubere und trockene Fläche auf, die auch gegen die Einwirkung hoher Temperaturen beständig ist.
- Montieren Sie vorsichtig die hintere Stütze des Geräts mit dem Heizelement hinten am Ölbehälter.

Achtung:

1. Stellen Sie sich sicher, dass der Bolzen an der hinteren Stütze des Geräts richtig befestigt wurde.
2. Bevor Sie mit dem Betrieb beginnen, stellen Sie sich sicher, dass sich der Ölbehälter und das Heizelement an einer sicheren Stelle in der Küche wegen einer hohen Temperatur des Geräts während des Betriebs befinden.

Bedienfeld



Gebrauch

- Ziehen Sie den Stecker aus der Steckdose.
- Füllen Sie den Behälter bis zur H- Markierung (Maximalwert) mit Öl oder Fett. ACHTUNG: Nicht flüssige Fettarten sind vor dem Einfüllen zu erhitzen, um ein Verbrennen des Fetts und Überlastung zu verhindern.
- Stecken Sie den Schukostecker in eine geerdete Steckdose.
- Stellen Sie am Thermostat die gewünschte Temperatur ein. Die orangefarbene Leuchte brennt.
- Wenn die eingestellte Temperatur erreicht ist, erlischt die orangefarbene Lampe.
- Sie können jetzt frittieren.



Frittieren

Die Fritteuse besitzt einen einzigartigen Kältebereich, wodurch Backreste und Krümel auf den Boden sinken und das Fett wesentlich länger hält.

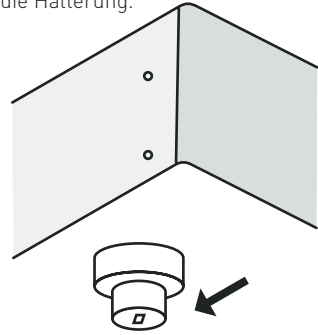
Kontrollieren Sie regelmäßig, ob sich genug Öl oder Fett im Behälter befindet. Der Füllstand darf nie unter die MIN-Markierung geraten.

Zurücksetzen des Überhitzungsschutz (Thermische Abschaltung)

Denken Sie daran, dass sich die Rückstelltaste im unteren Teil des abnehmbaren Bedienpanels und mit einem Aufsatz gesichert wird (siehe Abbildung).

- Trennen Sie zuerst das Gerät von der Stromquelle, indem Sie den Stecker aus der Steckdose ziehen.
- Lassen Sie das Gerät völlig abkühlen.
- Entfernen Sie das abnehmbare Bedienpanel aus der Halterung.
- Schrauben Sie die schwarze Schutzkappe der Rückstelltaste ab.
- Drücken Sie die Rückstelltaste der Überhitzungsschutz (Thermische Abschaltung). Es ist ein Klicken zu hören.

- Schrauben Sie die schwarze Schutzkappe der Rückstelltaste wieder auf.
- Montieren Sie das abnehmbare Bedienpanel wieder in die Halterung.



Tipps zum Frittieren:

- Verwenden Sie vorzugsweise nur flüssiges Frittieröl/fett.
- Die empfohlene Frittier-Temperatur ist max. 175°C.
- Erhitzen Sie das Öl langsam in drei Stufen, zum Beispiel zuerst auf 100°C, auf 140°C und auf 175°C, mit je einer 15-minütigen Unterbrechung.
- Entfernen Sie Eis und Krümel vom gefrorenen Frittiergut.
- Frittieren Sie nicht zu viel auf einmal, dass kann eine Abkühlung des Fettes bzw. des Öles verursachen. Zu kaltes Öl/Fett kann von den Speisen aufgesogen werden, ideales Verhältnis ist max. 1:10.

- Filtern sie nach Verwendung die Krümel und andere Reste aus dem Öl/Fett.
- Wechseln das Öl/Fett regelmäßig. Benutzen Sie Teststreifen oder Ähnliches zur regelmäßigen Kontrolle.
- Falls Das Öl/Fett zu schäumen, rauchen, oder zu stinken beginnt wechseln Sie es.

Festes Fett

- Wenn Sie gegen unseren Rat doch festes Fritierfett verwenden: erhitzen Sie das Fett langsam auf der kleinsten Stufe bis es geschmolzen ist. Wenn es geschmolzen ist können Sie die richtige Temperatur wählen.
- Bei der Verwendung von frischem Fett schmelzen Sie die Fettblöcke zunächst langsam bei klei-

ner Hitze in einer normalen Pfanne. Gießen Sie das geschmolzene Fett vorsichtig in die Friteuse. Stecken Sie erst dann den Netzstecker ein und schalten Sie die Friteuse ein.

- Entfernen Sie den Korb aus dem Fett. Damit verhindern Sie, dass sich der Korb im geronnenen Fett festsetzt.

Nach dem Gebrauch

- Schalten Sie das Gerät aus, indem Sie den Schalter ausschalten und den Stecker aus der Steckdose herausziehen.
- Entfernen Sie den Korb aus dem Fett. Damit ver-

hindern Sie, dass sich der Korb im geronnenen Fett festsetzt.

- Legen Sie den Deckel auf die Fritteuse, sodass das Fett frisch bleibt.

Reinigung und Wartung

- Vor jeder Reinigung stets den Stecker ziehen.
- Achtung: Tauchen Sie das Gerät nicht in Wasser oder andere Flüssigkeiten ein!
- Das Gehäuse mit einem feuchten Tuch (Wasser mit einem milden Reinigungsmittel) reinigen.
- Keine aggressiven Reinigungs- oder Scheuermittel benutzen. Keine scharfen, spitzen Gegenstände benutzen. Kein Benzin und keine Lösungsmittel benutzen! Das Gerät mit einem feuchten Tuch und eventuell Spülmittel reinigen. Keine Scheuermittel benutzen.

- Die Geräte sind weder mit Hilfe eines Dampfreinigers noch mit einem Wasserstrahl zu reinigen.
- Nach dem Reinigen muss man das Gerät erneut zusammenbauen und dafür sorgen, dass das Kontrollpanel (Heizpanel) entsprechend montiert ist – andernfalls wird das Gerät nicht richtig funktionieren.

Entdeckung und Beseitigung von Mängeln

Störung	Phänomen	Ursache	evt. Lösung
Das Gerät funktioniert nicht.	Oranges Licht leuchtet nicht	Keine Netzspannung.	Kontrollieren Sie die elektrische Anlage. Schalter defekt.
		Überhitzungsschutz (Thermische Abschaltung) wurde aktiviert.	Überhitzungsschutz (Thermische Abschaltung) rücksetzen (siehe auf Seite 14)
		Überhitzungsschutz (Thermische Abschaltung) defekt.	Kontakt mit dem Lieferanten aufnehmen
		Thermostat defekt.	Kontakt mit dem Lieferanten aufnehmen
Das Gerät erreicht die eingestellte Temperatur nicht.	Lange Frittier Dauer.	Thermostat defekt.	Kontakt mit dem Lieferanten aufnehmen
		Element defekt.	Kontakt mit dem Lieferanten aufnehmen

Wenn trotz aller Kontrollen das Gerät weiterhin Störungen aufweist wenden Sie sich bitte an den Kundendienst. Setzen Sie sich im Zweifelsfall auch mit Ihrem Lieferanten in Verbindung!

DE



Technische Spezifikation

Bestellnummer	205808	205815	205822	205839	205846	205853
Betriebsspannung (V) & Frequenz (Hz)	230V~ 50Hz					
Höchstaufnahme elektrischer Leistung (W)	3000W	3300W	3500W	3500W x 2	3000W x 2	3300W x 2
Schutzgrad	Klasse I					
Dichtigkeitsbeiwert	IPX3					
Temperatur Bereich	50-190°C					
Inhalt	4L	6L	8L	8L x 2	4L x 2	6L x 2
Außenabmessungen	217x380x (H)300mm	265x430x (H)290mm	265x430x (H)345mm	550x430x (H)345mm	470x420x (H)330mm	550x430x (H)290mm
Nettogewicht (ca.)	5kg	5,4kg	6kg	11kg	8,5kg	9,5kg

Bestellnummer	975404	975428
Betriebsspannung (V) & Frequenz (Hz)	230V~ 50Hz	
Höchstaufnahme elektrischer Leistung (W)	2200W	3500W
Schutzgrad	Klasse I	
Dichtigkeitsbeiwert	IPX3	
Temperatur Bereich	50-190°C	
Inhalt	4L	8L
Außenabmessungen	217x380x (H)300mm	265x430x (H)345mm
Nettogewicht (ca.)	5kg	6kg

Hinweise: Die Technische Spezifikation kann ohne vorherige Ankündigung verändert werden.

Garantie

Alle innerhalb von einem Jahr nach dem Kaufdatum festgestellten Defekte oder Mängel, die die Funktionalität des Gerätes beeinträchtigen, werden auf dem Wege der unentgeltlichen Reparatur bzw. des Austausches unter der Voraussetzung beseitigt, dass das Gerät in einer der Bedienungsanleitung gemäßen Art und Weise betrieben und gewartet wird und weder vorsätzlich vernichtet noch nicht bestimmungsgemäß genutzt wurde. Ihre Rechte aus den entsprechenden Gesetzen

bleiben davon unberührt. Eine in der Garantiefrist einzureichende Beanstandung hat die Angabe des Kaufortes und Kaufdatums und in der Anlage einen Kaufbeleg (z.B. Kassenzettel) zu enthalten.

Gemäß unserer Politik der ständigen Weiterentwicklung unserer Produkte behalten wir uns vor, Änderungen am Produkt, an seiner Verpackung und an den dokumentierten technischen Daten ohne vorherige Ankündigung vorzunehmen.

Entsorgung und Umweltschutz

Wird das Gerät außer Betrieb genommen, darf es nicht über den Hausmüll entsorgt werden. Der Benutzer ist für die Übergabe des Gerätes an eine geeignete Sammelstelle für Altgeräte verantwortlich. Die Nichteinhaltung dieser Regel kann gemäß den geltenden Vorschriften über die Abfallentsorgung bestraft werden. Die getrennte Sammlung und das Recycling der Altgeräte trägt zur Schonung der natürlichen Ressourcen bei und sorgt für eine umwelt- und gesundheitsschonende Verwertungsweise.


Weitere Informationen darüber, wo Sie Ihre Altgeräte entsorgen können, erhalten Sie bei Ihrem örtlichen Entsorgungsunternehmen. Der Hersteller und der Importeur übernehmen keine Verantwortung für das Recycling sowie die umweltfreundliche Verwertung von Abfällen, weder direkt noch über ein öffentliches System.



Geachte klant,


Bedankt voor de aanschaf van dit Hendi apparaat. Lees deze handleiding zorgvuldig door, met bijzondere aandacht voor de onderstaande veiligheidsvoorschriften, voordat u dit apparaat voor de eerste keer installeert en gebruikt.

Veiligheidsvoorschriften

- Dit apparaat is enkel bedoeld voor commercieel gebruik.
- Gebruik het apparaat alleen voor het beoogde doel waarvoor het is ontworpen, zoals beschreven in deze handleiding.
- De fabrikant is niet aansprakelijk voor enige schade veroorzaakt door onjuist gebruik en onjuist gebruik.
- Houd het apparaat en de stekker uit de buurt van water en andere vloeistoffen. Als het apparaat in water valt, haal dan onmiddellijk de stekker uit het stopcontact. Gebruik het apparaat niet totdat het is gecontroleerd door een gecertificeerde technicus. Het niet volgen van deze instructies zal levensbedreigende risico's veroorzaken.
- Probeer nooit de behuizing van het apparaat zelf te openen.
- Plaats geen objecten in de behuizing van het apparaat.
- Raak de stekker niet aan met natte of vochtige handen.
-  **GEVAAR VOOR EEN ELEKTRISCHE SCHOK!** Probeer het apparaat niet zelf te repareren, reparaties mogen alleen worden uitgevoerd door gekwalificeerd personeel.
- **Gebruik nooit een beschadigd apparaat!** Wanneer het apparaat beschadigd is, koppelt u het apparaat los van het stopcontact en neemt u contact op met de detailhandelaar.
- **WAARSCHUWING!** Dompel de elektrische onderdelen van het apparaat niet onder in water of andere vloeistoffen.
- Houd het apparaat nooit onder stromend water.
- Controleer regelmatig de stekker en het snoer op eventuele schade. Bij beschadiging moet het worden vervangen door een serviceagent of een gelijkwaardig gekwalificeerd persoon om gevaar of letsel te voorkomen.
- Zorg ervoor dat het snoer niet in contact komt met scherpe of hete voorwerpen en houd het uit de buurt van open vuur. Trek nooit aan het netsnoer om het uit het stopcontact te halen, trek altijd aan de stekker.
- Zorg ervoor dat het netsnoer en/of het verlengsnoer geen struikelgevaar veroorzaken.
- Laat het apparaat nooit onbeheerd achter tijdens het gebruik.
- **WAARSCHUWING!** Zolang de stekker in het stopcontact zit, is het apparaat aangesloten op de stroombron.
- Schakel het toestel uit voordat u het uit het stopcontact haalt.
- Sluit de stekker aan op een gemakkelijk toegankelijk stopcontact, zodat het apparaat in geval van nood onmiddellijk kan worden losgekoppeld.
- Draag het apparaat nooit bij het snoer.
- Gebruik geen extra apparaten die niet samen met het apparaat worden geleverd.
- Sluit het apparaat alleen aan op een stopcontact met de spanning en frequentie vermeld op het etiket van het apparaat.

- Gebruik nooit andere accessoires dan die welke door de fabrikant worden aanbevolen. Als u dit niet doet, kan dit een veiligheidsrisico vormen voor de gebruiker en kan het apparaat beschadigen. Gebruik alleen originele onderdelen en accessoires.
- Dit apparaat mag niet worden gebruikt door personen met verminderde fysieke, zintuiglijke of mentale vermogens, of personen met een gebrek aan ervaring en kennis.
- Dit apparaat mag in geen geval door kinderen worden gebruikt.
- Houd het apparaat en het netsnoer buiten het bereik van kinderen.
- **WAARSCHUWING:** schakel het apparaat ALTIJD uit en haal de stekker uit het stopcontact voor reiniging, onderhoud of opslag.

Bijzondere veiligheidsvoorschriften

-  **LET OP! HEET OPPERVLAK!** De temperatuur van het bereikbare oppervlak is zeer heet tijdens gebruik. Raak alleen de knoppen op het bedieningspaneel aan.
- Als dit apparaat in de buurt van muren, scheidingswanden, keukenmeubilair, decoratieve afwerkingen, etc. wordt geplaatst, wordt aanbevolen dat deze zijn gemaakt van niet-brandbaar materiaal; als dit niet het geval is, moeten ze worden gecoat met een niet-brandbare warmte-isulerend materiaal, en moet er zeer veel aandacht worden besteed aan de brandpreventievoorschriften.
- Plaats het apparaat niet op een verwarmingsvoorwerp (kooktoestel op benzine, elektriciteit, houtskool, etc.). Houd het apparaat uit de buurt van warme oppervlakken en open vuur. Gebruik het apparaat altijd op een vlakke, stabiele, schone, hittebestendige en droge ondergrond.
- Gebruik het apparaat niet in de buurt van explosieve of ontvlambare materialen, creditcards, magnetische schijven of radio's.
- Dit apparaat is niet bedoeld om gebruikt te worden in combinatie met een externe timer of apart systeem voor gebruik op afstand.
- **WAARSCHUWING:** Er bestaat brandgevaar indien de olie onder de L-markering (het minimumniveau) zakt of er geen olie in de bak zit.
- **WAARSCHUWING:** Frituur nooit te natte voedingsmiddelen of te veel voedingsmiddelen per keer om overmatig schuimen en oliespatters te voorkomen. U kunt per keer ca. 1kg in de bak plaatsen.
- Laat minimaal 20 cm ruimte vrij rond het apparaat voor voldoende ventilatie.
- Gebruik alleen olie of vet dat geschikt is voor frituren. Vervang de olie of het vet regelmatig. Te lang gebruikte of vuile olie of vet kan tot worden ontstoken wanneer het wordt oververhit."
- Gebruik geen plastic keukengerei tijdens gebruik.
- **GEVAAR!** Gebruik nooit oude olie, omdat oude olie een gereduceerd vlampunt heeft en vatbaarder is voor overkoken, wat het risico op brand en gevaarlijke situaties verhoogt.
- **WAARSCHUWING!** Als u te nat voedsel of te grote hoeveelheden voedsel in het apparaat plaatst, heeft dit invloed op het kookpunt van de olie.
- Om veiligheidsredenen wordt aanbevolen niet teveel voedsel tegelijkertijd te frituren (max. hoeveelheid voedsel ca. 2kg).



- Reinig het apparaat en andere accessoires altijd na elk gebruik (-->Reiniging en onderhoud).
- Gebruik geen waterstralen of stoomreiniger en spoel niet rechtstreeks af met water, omdat de onderdelen van het apparaat nat kunnen worden en dit kan leiden tot elektrische schokken.
- **LET OP!** Plaats het netsnoer indien nodig op een veilige manier om te voorkomen dat het in contact kon komen met het verwarmingsoppervlak en dat er per ongeluk aan het netsnoer kan worden getrokken.
- Was het apparaat niet met water. Wassen kan lekkages veroorzaken en het risico op elektrische schokken verhogen.
- Niet reinigen of opbergen tenzij het apparaat volledig is afgekoeld.
- Geen van de onderdelen zijn vaatwasmachinebestendig.
- Trek de stekker altijd uit het stopcontact als u de friteuse vult of reinigt.
- De elektrische installatie dient te voldoen aan de nationale en plaatselijk geldende voorschriften.
- De oliebak en het verwarmingselement moeten vóór gebruik correct worden geplaatst en geïnstalleerd, omdat deze zeer heet worden tijdens gebruik.

Bedoeld gebruik

- Dit apparaat is bedoeld voor professioneel gebruik en kan alleen worden bediend door gekwalificeerd personeel.
- Dit apparaat is uitsluitend bestemd voor het bakken van geschikt voedsel, zoals frites, enz. Elk ander gebruik kan leiden tot schade aan het apparaat of lichamelijk letsel.
- Gebruik van het apparaat voor andere doeleinden wordt beschouwd als verkeerd gebruik van het apparaat. De gebruiker is volledig aansprakelijk voor alle risico's die voortvloeien uit verkeerd gebruik van het apparaat.

Aarding installatie

Dit apparaat is geclassificeerd als **beschermingsklasse I** en moet op een beschermende grond worden aangesloten. Aarding vermindert het risico op elektrische schokken door een ontsnappingsdraad voor de elektrische stroom aan te bieden. Dit ap-

paraat is uitgerust met een netsnoer met een aardingsdraad en geaarde stekker. De stekker moet worden aangesloten op een stopcontact dat correct is geïnstalleerd en geaard.

Ingebruikname

- Controleer of het apparaat niet beschadigd is. Neem in geval van beschadiging onmiddellijk contact op met uw leverancier en gebruik het apparaat NIET.
- Verwijder al het verpakkingsmateriaal en de eventueel aanwezige beschermfolie.
- Reinig het apparaat met handwarm water en een zachte doek.
- Plaats het apparaat waterpas op een stabiele ondergrond, tenzij anders aangegeven.
- Zorg ervoor dat er rondom het apparaat genoeg ruimte vrij blijft voor de afvoer van warmte.
- Plaats het apparaat zo dat de stekker te allen tijde bereikbaar is.
- Bewaar de verpakking als u uw apparaat in de toekomst wilt opbergen.

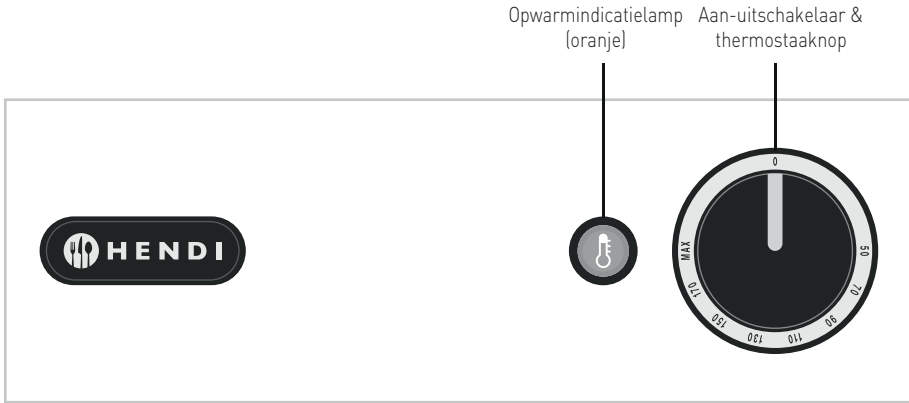
Installatie

- Plaats het apparaat met de rubberen voetjes op een vlakke, stabiele, schone, hittebestendige en droge ondergrond.
- Installeer de achtersteun met het verwarmings-element op de achterkant van de oliebak.

Opmerking:

1. Zorg ervoor dat de pin op de achtersteun zich in de juiste positie bevindt & juist is gemonteerd.
2. Het apparaat moet voor gebruik op een veilige plek in uw keuken worden geplaatst om gevaar door hoge temperaturen tijdens gebruik te voorkomen.

Bedieningspaneel



Gebruik

- Verwijder de stekker uit het stopcontact.
- Vul de bak met olie of vet tot de H-markering (maximaal niveau). LET OP! Bij vaste vetsoorten het vet voorverwarmen alvorens te vullen, dit voorkomt verbranden van het vet en overbelasting.
- Stop de randaarde stekker in een geaard stopcontact.

- Stel met de thermostaat de gewenste temperatuur in. Het oranje lampje gaat branden.
- Als de ingestelde temperatuur bereikt is gaat het oranje lampje uit.
- U kunt nu frituren.

Frituren

De frituse is voorzien van een unieke koude zone waardoor kruimels en bakresten naar de bodem zinken en het vet aanzienlijk langer mee zal gaan.

Controleer regelmatig of er voldoende olie of vet in de bak zit. Het niveau mag nooit onder de MIN indicatie komen.

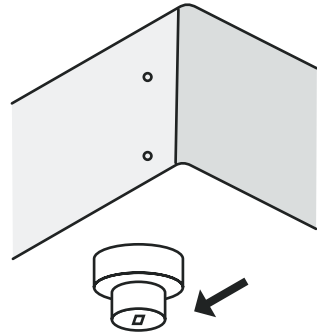


RESET de maximaal thermostaat

Let op, de RESET-knop bevindt zich aan de onderkant van het afneembare bedieningspaneel met een beschermdop (zie lijntekening)

- Trek de stekker van de friteuse eerst uit het stopcontact.
- Laat de friteuse volledig afkoelen.
- Verwijder het afneembare bedieningspaneel uit de steun.
- Schroef de zwarte beschermdop van de RESET-knop los.
- Druk op de RESET-knop van de maximaal thermostaat. U moet een duidelijke klik horen.
- Schroef de achterkant van de zwarte beschermdop terug op de RESET-knop.

- Installeer het afneembare bedieningspaneel terug op de steun.



Frituurtips

- Gebruik bij voorkeur alleen vloeibaar frituurvet of -olie
- De aanbevolen temperatuur voor frites en snacks is 175°C maximaal.
- Warm het vet/de olie langzaam op. Het liefst in drie stappen bijvoorbeeld: eerst naar 100°C, dan van 100-140°C en vervolgens van 140°C naar 175°C met tussendoor een kwartier rust.
- Verwijder ijs en kruimels van de diepvriesproducten
- Frituur niet te veel te gelijk hierdoor koelt de olie of het vet te snel af. Hierdoor kunnen de fri-

tuurproducten onvoldoende snel dichtschroeien waardoor ze meer vet op zullen nemen. De ideale verhouding tussen de te frituren producten en het frituurvet mag maximaal 1:10 zijn.

- Bij intensief gebruik dient u steeds de bakresten uit het vet te zeven
- Vervang de olie of het vet tijdig. Gebruik regelmatig teststrips of meetapparatuur om bij te houden wanneer het vet vervangen moet worden.
- Indien het vet of de olie gaat schuimen, walmen of stroperig wordt, dient u dit te vervangen. Ook wanneer het een sterke geur of smaak krijgt.

Vast Vet

- Indien u tegen ons advies in toch vast frituurvet gebruikt: warm het vet dan op de laagste stand langzaam op totdat het gesmolten is. Wanneer het vet gesmolten is, dient u pas de juiste frituurtemperatuur in te stellen.
- Bij gebruik van nieuw vet smelt u de vetblokken eerst langzaam op lage temperatuur in een nor-

male pan. Giet het gesmolten vet voorzichtig in de frituurpan. Steek dan pas de stekker in het stopcontact en schakel de frituurpan in.

- Verwijder het mandje na gebruik uit het vet. Dit voorkomt dat het mandje in het gestolde vet vast gaat zitten.

Na gebruik

- Schakel de apparatuur uit door de schakelaar uit te zetten en de stekker uit het stopcontact te verwijderen.

- Verwijder het mandje uit het vet. Dit voorkomt dat de mand in het gestolde vet vast gaat zitten.
- Plaats de deksel op de friteuse, zodat het vet niet verouderd.

Reiniging en onderhoud

- Trek voordat u het apparaat schoonmaakt altijd eerst de stekker uit het stopcontact.
- Let op: Nooit het apparaat in water of een andere vloeistof onderdompelen!
- De buitenkant maakt u schoon met een vochtig doekje (water met mild reinigingsmiddel).
- Gebruik nooit agressieve schoonmaakmiddelen of schuurmiddelen. Geen scherpe en puntige voorwerpen gebruiken. Geen benzine of oplosmiddelen gebruiken! Schoonmaken met een vochtige doek en eventueel afwasmiddel, geen schurende middelen gebruiken.
- Het apparaat niet reinigen met een hogedrukspuit of stoomreiniger.
- Na reiniging het apparaat weer in elkaar zetten, zorg ervoor dat het verwarmingselement goed is bevestigd anders zal het apparaat niet werken.

Storingen

Storing	Verschijnsel	Oorzaak	Mogelijke oplossing
Apparaat doet helemaal niets	De oranje indicatielamp brandt niet.	Geen netspanning	Controleer de elektrische installatie. Schakelaar defect
		Maximaal thermostaat aangesproken	Reset de maximaal thermostaat. (Zie pagina 22)
		Maximaal thermostaat defect	Contact opnemen met leverancier.
		Thermostaat defect	Contact opnemen met leverancier.
Apparaat bereikt de ingestelde temperatuur niet.	Lange baktijd	Thermostaat defect	Contact opnemen met leverancier.
		Element defect	Contact opnemen met leverancier.

Als na deze handelingen het apparaat nog steeds niet functioneert, adviseren wij u contact op te nemen met de technische dienst. Neem in geval van twijfel altijd contact op met uw leverancier!



Technische specificaties

Itemnr.	205808	205815	205822	205839	205846	205853
Bedrijfsspanning (V) & frequentie (Hz)	230V- 50Hz					
Max ingangsvermogen (W)	3000W	3300W	3500W	3500W x 2	3000W x 2	3300W x 2
Beschermingsklasse	Klasse I					
Waterbeschermingsklasse	IPX3					
Temperatuurbereik	50-190°C					
Inhoud	4L	6L	8L	8L x 2	4L x 2	6L x 2
Afmetingen apparaat	217x380x (H)300mm	265x430x (H)290mm	265x430x (H)345mm	550x430x (H)345mm	470x420x (H)330mm	550x430x (H)290mm
Netto gewicht (ca.)	5kg	5,4kg	6kg	11kg	8,5kg	9,5kg

Itemnr.	975404	975428
Bedrijfsspanning (V) & frequentie (Hz)	230V- 50Hz	
Max ingangsvermogen (W)	2200W	3500W
Beschermingsklasse	Klasse I	
Waterbeschermingsklasse	IPX3	
Temperatuurbereik	50-190°C	
Inhoud	4L	8L
Afmetingen apparaat	217x380x (H)300mm	265x430x (H)345mm
Netto gewicht (ca.)	5kg	6kg

Opmerking: Technische specificaties onderhevig aan verandering zonder kennisgeving.

Garantie

Elk defect waardoor de werking van het apparaat nadelig wordt beïnvloed dat zich binnen één jaar na aankoop van het apparaat voordoet, wordt gratis hersteld door reparatie of vervanging, mits het apparaat conform de instructies is gebruikt en onderhouden en niet op enigerlei wijze verkeerd is behandeld of misbruikt. Dit laat onverlet uw bij wet bepaalde rechten. Als de garantie van kracht is, vermeld dan waar en wanneer u het apparaat

hebt gekocht en sluit een aankoopbewijs bij (bijv. kassabon of factuur).

Gezien ons streven naar voortdurende verdere productontwikkeling behouden wij ons het recht voor, zonder voorafgaande kennisgeving wijzigingen aan te brengen aan product, verpakking en documentatie.

Verwijdering & milieu

Bij de buitengebruikstelling van het apparaat, mag het niet met het overige huisafval worden verwijderd. In plaats daarvan is het uw verantwoordelijkheid om uw afgedankte apparatuur in te leveren bij een daartoe aangewezen inzamelpunt. Het niet opvolgen van deze regel kan worden bestraft in overeenstemming met de geldende voorschriften voor afvalverwerking. De gescheiden inzameling en recycling van uw afgedankte apparatuur ten tijde van buitengebruikstelling helpt bij de instand-


houding van natuurlijke hulpbronnen en waarborgt dat de apparatuur wordt gerecycled op een manier die de volksgezondheid en het milieu beschermt. Voor meer informatie over waar u uw afval kunt inleveren voor recycling kunt u contact opnemen met uw lokale afvalverwerkingsbedrijf. De fabrikant en importeurs nemen geen verantwoordelijkheid voor de recycling, behandeling en ecologische verwijdering, hetzij rechtstreeks of via een openbaar systeem.



Drogi Kliencie,

Dziękujemy za zakup tego urządzenia Hendi. Przeczytaj uważnie tę instrukcję, zwracając szczególną uwagę na przepisy bezpieczeństwa przedstawione poniżej, przed zainstalowaniem i używaniem tego urządzenia po raz pierwszy.

Przepisy bezpieczeństwa


- Niniejsze urządzenie przeznaczone jest wyłącznie do użytku komercyjnego.
- Urządzenie należy używać wyłącznie zgodnie z przeznaczeniem, do którego zostało zaprojektowane zgodnie z opisem w niniejszej instrukcji.
- Producent nie ponosi odpowiedzialności za jakiegokolwiek szkody spowodowane nieprawidłowym działaniem i niewłaściwym użyciem.
- Przechowywać urządzenie i wtyczkę elektryczną z dala od wody i innych płynów. W przypadku, gdy urządzenie wpadnie do wody, natychmiast wyjmij wtyczkę zasilającą z gniazda. Nie używać urządzenia, dopóki nie zostanie sprawdzone przez certyfikowanego technika. Nieprzestrzeganie tych instrukcji spowoduje zagrożenie dla życia.
- Nigdy nie próbuj samodzielnie otwierać obudowy urządzenia.
- Nie wkładaj przedmiotów do obudowy urządzenia.
- Nie dotykać wtyczki mokrymi lub wilgotnymi dłońmi.
-  **NIEBEZPIECZEŃSTWO PORAŻENIA PRĄDEM!** Nie próbuj samodzielnie naprawiać urządzenia, naprawy mogą być wykonywane wyłącznie przez wykwalifikowany personel..
- **Nigdy nie używaj uszkodzonego urządzenia!** Po uszkodzeniu odłącz urządzenie od gniazda i skontaktuj się ze sprzedawcą.
- **OSTRZEŻENIE!** Nie zanurzaj części elektrycznych urządzenia w wodzie lub innych płynach.
- Nigdy nie trzymaj urządzenia pod bieżącą wodą.
- Regularnie sprawdzaj wtyczkę zasilającą i przewód pod kątem uszkodzeń. W przypadku uszkodzenia musi zostać zastąpiony przez agenta serwisowego lub podobnie wykwalifikowaną osobę w celu uniknięcia niebezpieczeństwa lub obrażeń.
- Upewnij się, że przewód nie styka się z ostrymi lub gorącymi przedmiotami i trzymaj go z dala od otwartego ognia. Nigdy nie pociągaj za przewód zasilający, aby odłączyć go od gniazda, zawsze za wtyczkę.
- Upewnij się, że przewód zasilający i/lub przedłużacz nie powodują zagrożenia przejazdem.
- Nigdy nie pozostawiaj urządzenia bez nadzoru podczas użytkowania.
- **OSTRZEŻENIE!** Dopóki wtyczka znajduje się w gnieździe, urządzenie jest podłączone do źródła zasilania.
- Wyłącz urządzenie przed odłączeniem go od gniazda.
- Podłącz wtyczkę do łatwo dostępnego gniazdka elektrycznego, aby w nagłych wypadkach urządzenie mogło zostać natychmiast odłączone.
- Nigdy nie noś urządzenia za przewód.
- Nie należy używać żadnych dodatkowych urządzeń, które nie są dostarczane razem z urządzeniem.

PL



- Podłącz urządzenie tylko do gniazdka elektrycznego z napięciem i częstotliwością wymienioną na etykiecie urządzenia.
- Nigdy nie używaj akcesoriów innych niż zalecane przez producenta. Niezastosowanie się do tego może stanowić zagrożenie dla bezpieczeństwa użytkownika i spowodować uszkodzenie urządzenia. Używaj tylko oryginalnych części i akcesoriów.
- Urządzenie to nie powinno być obsługiwane przez osoby o ograniczonych możliwościach fizycznych, sensorycznych lub umysłowych, ani osoby, które mają brak doświadczenia i wiedzy.
- Urządzenie to w żadnym wypadku nie powinno być używane przez dzieci.
- Przechowywać urządzenie i jego przewód zasilający w miejscu niedostępnym dla dzieci.
- **OSTRZEŻENIE:** ZAWSZE wyłączyć urządzenie i odłączyć od gniazdka elektrycznego przed czyszczeniem, konserwacją lub przechowywaniem.

Specjalne przepisy bezpieczeństwa

-  **UWAGA! GORĄCA POWIERZCHNIA!** Temperatura dostępnych powierzchni urządzenia w czasie użytkowania jest bardzo wysoka. Dotykaj wyłącznie przycisków panelu sterowania.
- Jeśli urządzenie ma zostać umieszczone blisko ściany, ścianek działowych, mebli kuchennych, wykończeń dekoracyjnych itp., zaleca się, by pokryte były one materiałami niepalnymi; jeśli nie jest to możliwe, należy pokryć takie powierzchnie odpowiednim niepalnym materiałem termoizolacyjnym i postępować zgodnie z przepisami przeciwpożarowymi.
- Nie umieszczaj urządzenia na obiekcie emitującym ciepło (kuchenka gazowa, elektryczna, grill, itp.). Trzymaj urządzenie z dala od jakichkolwiek gorących powierzchni lub otwartego płomienia. Ustaw urządzenie na równej, stabilnej, czystej i suchej powierzchni, odpornej na działanie wysokich temperatur.
- Nie używaj urządzenia w pobliżu materiałów wybuchowych lub łatwopalnych, kart płatniczych, dysków magnetycznych lub radioodbiorników.
- Urządzenie nie jest przystosowane do obsługi za pomocą zewnętrznego timera lub oddzielnego systemu zdalnego sterowania.
- **OSTRZEŻENIE:** Jeśli poziom oleju w zbiorniku sięga poniżej oznaczenia L (poziom min.) lub jeśli zbiornik jest pusty, istnieje ryzyko pożaru.
- **OSTRZEŻENIE:** Nie smaż w urządzeniu produktów żywnościowych, które zawierają dużo wody, aby zapobiec pienieniu się i pryskaniu oleju. W komorze smażenia można umieścić maksymalnie 1 kg produktów żywnościowych.
- Zapewnij co najmniej 20-centymetrową przestrzeń wokół urządzenia, celem umożliwienia odpowiedniej wentylacji podczas użytkowania.
- Używaj wyłącznie oleju przeznaczonego do smażenia. Regularnie wymieniaj olej lub tłuszcz w zbiorniku. Stary lub zanieczyszczony olej może się zapalić po podgrzaniu do zbyt wysokiej temperatury.
- Nie korzystaj z plastikowych sztućców w czasie obsługi urządzenia.



- **NIEBEZPIECZEŃSTWO!** Nigdy nie używaj starego oleju, ponieważ ma on obniżoną temperaturę zapłonu i jest bardziej podatny na nagłe wrzenie, co zwiększa ryzyko powstania pożaru lub sytuacji niebezpiecznych.
- **OSTRZEŻENIE!** Umieszczanie żywności o zbyt dużej zawartości wody lub w zbyt dużej ilości ma wpływ na szybkość osiągnięcia temperatury wrzenia przez olej.
- Ze względów bezpieczeństwa, za każdym razem podczas smażenia nie wkładaj zbyt dużej porcji żywności (maksymalny wsad to ok. 2 kg).
- Urządzenie i akcesoria do niego należy umyć po każdym użyciu (--> Czyszczenie i konserwacja)
- Nie czyść urządzenia strumieniem wody pod ciśnieniem ani przy pomocy myjki parowej, nie splotuj urządzenia wodą, ponieważ doprowadzi to do zawilgocenia lub zamoczenia części wewnątrz urządzenia, co może skutkować porażeniem prądem.
- **UWAGA!** Odpowiednio poprowadź i zabezpiecz przewód zasilający, aby zapobiec przypadkowemu pociągnięciu lub kontaktowi z nagrzaną powierzchnią.
- Nie czyść urządzenia wodą. Mycie urządzenia może spowodować przedostanie się wody do części elektrycznych i doprowadzić do porażenia prądem.
- Nie czyść ani nie umieszczaj urządzenia w miejscu przechowywania, zanim całkowicie nie ostygnie.
- Części urządzenia nie mogą być myte w zmywarce.
- Przed czyszczeniem lub napełnianiem urządzenia wyjmij wtyczkę z gniazdka.
- Instalacja elektryczna musi spełniać odpowiednie wymagania krajowe i miejscowe.
- Upewnij się, czy zbiornik na olej oraz element grzewczy ustawione zostały w bezpiecznym miejscu w kuchni ze względu na wysoką temperaturę urządzenia podczas pracy.

Przeznaczenie

- Urządzenie przeznaczone do użytku profesjonalnego, obsługa tylko przez wykwalifikowany personel.
- Urządzenie przeznaczone jest do użytku komercyjnego i służy do smażenia odpowiednich produktów spożywczych, takich jak frytki itp. Użycie urządzenia w jakimkolwiek innym celu może prowadzić do jego uszkodzenia lub do obrażeń ciała.
- Wykorzystanie urządzenia w jakimkolwiek innym celu uznane będzie za wykorzystanie niezgodne z przeznaczeniem. Użytkownik będzie wyłącznie odpowiedzialny za nieprawidłowe wykorzystanie urządzenia.

Instalacja uziemienia

Urządzenie to jest klasyfikowane jako **klasa ochrony I** i musi być potączone z podłożem ochronnym. Uziemienie zmniejsza ryzyko porażenia prądem elektrycznym, dostarczając przewód ewakuacyjny dla prądu elektrycznego. To urządzenie jest wy-

posażone w przewód zasilający, który ma przewód uziemiający i uziemioną wtyczkę. Wtyczka musi być potączona do gniazdka, które jest prawidłowo zainstalowane i uziemione.

Przygotowanie przed pierwszym użyciem

- Sprawdź, czy urządzenie nie jest uszkodzone. W przypadku jakichkolwiek uszkodzeń niezwłocznie skontaktuj się ze swoim dostawcą i NIE korzystaj z urządzenia.
- Zdjąć całe opakowanie i folię ochronną (o ile dotyczy).
- Wyczyścić urządzenie przy pomocy letniej wody i miękkiej szmatki.
- O ile nie zalecono inaczej, ustawić urządzenie na płaskim i stabilnym podłożu.
- Zapewnić wystarczającą przestrzeń wokół urządzenia, aby umożliwić wentylację urządzenia.
- Ustaw urządzenie tak, aby mieć zawsze dobry dostęp do wtyczki.
- Zachowaj opakowanie na wypadek konieczności spakowania urządzenia w przyszłości.

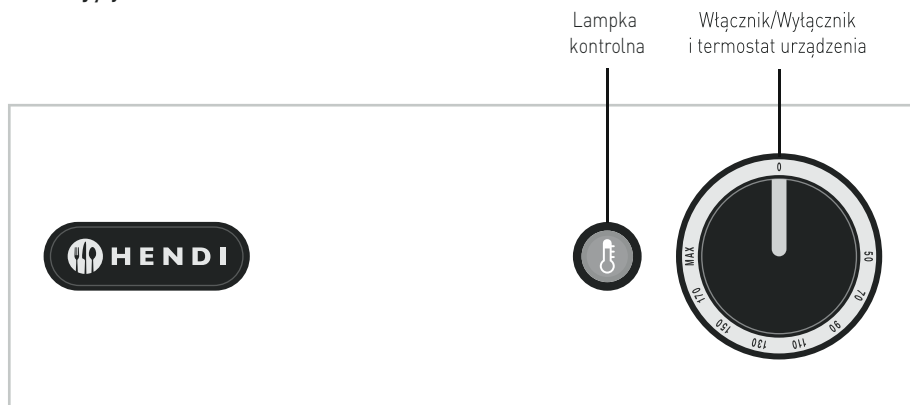
Instalacja

- Urządzenie wyposażone jest w gumowe nóżki. Urządzenie należy ustawić na równej, stabilnej, czystej i suchej powierzchni, odpornej na działania wysokich temperatur.
- Ostrożnie zamocuj tylny wspornik urządzenia z elementem grzewczym z tyłu zbiornika na olej.

Uwaga:

1. Upewnij się, czy sworzeń znajdujący się na tylnym wsporniku urządzenia został prawidłowo zamocowany.
2. Przed rozpoczęciem pracy upewnij się, czy zbiornik na olej oraz element grzewczy ustawione zostały w bezpiecznym miejscu w kuchni ze względu na wysoką temperaturę urządzenia podczas pracy.

Panel sterujący



Użycie

- Wyjmij wtyczkę z gniazdka.
- Napełnij pojemnik olejem lub tłuszczem aż do linii z napisem L- znak (Maksymalny poziom). UWAGA! W przypadku używania tłuszczu stałego, przed umieszczeniem w pojemniku należy go podgrzać – dzięki temu można uniknąć spalenia tłuszczu oraz przeciążenia urządzenia.
- Włóż uziemioną wtyczkę do uziemionego gniazdka elektrycznego.
- Za pomocą termostatu wybierz żądaną temperaturę. Zapali się pomarańczowa lampka.
- Kiedy zostanie osiągnięta wybrana temperatura, pomarańczowa lampka zgaśnie.
- Można przystąpić do smażenia.



Smażenie w głębokim tłuszczu

Frytownica jest wyposażona w unikalny system „zimnej strefy” umożliwiający opadanie okruszków i pozostałości po frytowaniu na dno pojemnika, co pozwala znacznie zwiększyć wydajność tłuszczu/oleju.

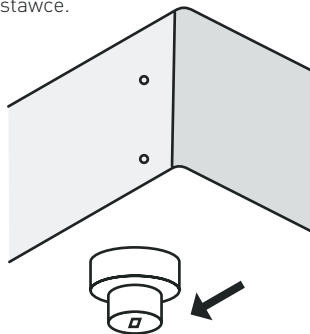
Regularnie sprawdzaj, czy w pojemniku jest wystarczająca ilość oleju lub tłuszczu. Poziom tłuszczu nigdy nie może być niższy niż poziom oznaczony jako MIN.

RESETOWANIE ogranicznika temperatury (wyłącznik termiczny)

Należy pamiętać, że przycisk RESET znajduje się w dolnej części odczepianego panelu sterującego i zabezpieczony jest nasadką (patrz rysunek).

- Najpierw odłącz urządzenie od źródła zasilania, wyjmując wtyczkę z gniazdka.
- Pozostaw urządzenie do całkowitego ostygnięcia.
- Odłącz odczepiany panel sterowania z podstawki.
- Odkręć czarną nakrętkę ochronną przycisku RESET.
- Wciśnij przycisk RESET ogranicznika temperatury (wyłącznik termiczny). Usłyszysz kliknięcie.
- Przykręć ponownie czarną nakrętkę ochronną przycisku RESET.

- Zamontuj ponownie odczepiany panel sterowania na podstawie.



Wskazówki smażenia w głębokim tłuszczu

- Używaj wyłącznie płynnego oleju lub tłuszczu do smażenia
- Zalecana temperatura smażenia frytek i przekąsek to maksymalnie 175°C.
- Podgrzewaj tłuszcz wolno. Najlepiej podgrzewać tłuszcz w trzech etapach, najpierw do 100°C, potem od 100-140°C i następnie od 140°C do 175°C z 15-minutowymi przerwami między każdym krokiem.
- Usuwać lód i okruszki z zamrożonej żywności.
- Nie smaż w głębokim tłuszczu zbyt dużych porcji. Może doprowadzić to do spadku temperatury oleju lub tłuszczu. Wychłodzony olej/tłuszcz nie obsmaży odpowiednio powierzchni, powodując zwiększenie wchłaniania tłuszczu. Idealna proporcja zamrożonej żywności do oleju/tłuszczu do smażenia to maksymalnie 1:10.

- W przypadku intensywnego użytkowania należy filtrować okruszki i odpady z oleju/tłuszczu.
- Należy wymieniać olej lub tłuszcz w odpowiednim momencie. Aby sprawdzać, kiedy należy wymienić olej/tłuszcz, regularnie stosuj testy paskowe lub urządzenia do testów.
- Jeśli olej lub tłuszcz znacznie się pieni, dymić lub stanie się zbyt lepki, należy wymienić olej lub tłuszcz. Wymień olej/tłuszcz, gdy ma silny zapach lub smak.

Stały tłuszcz

- W przypadku stosowania stałego tłuszczu pomimo zaleceń: powoli podgrzewaj tłuszcz na najniższej temperaturze do roztopienia. Po roztopieniu tłuszczu można ustawić odpowiednią temperaturę smażenia.
- W przypadku zastosowania stałego tłuszczu poczekaj, aż kawałki tłuszczu powoli się roztopią na

zwykłej patelni, przy średnim ogniu. Ostrożnie przelej roztopiony tłuszcz do frytownicy. Podłącz wtyczkę i włącz frytownicę.

- Po użyciu wyjmij kosz do smażenia w głębokim tłuszczu. Dzięki temu kosz nie zastygnie w stężałym tłuszczu.

Po użyciu

- Wyłącz urządzenie i odłącz kabel z gniazdka.
- Wyjmij kosz z pojemnika z olejem. Dzięki temu kosz nie zastygnie w stężonym tłuszczu.
- Przykryj frytownicę pokrywą, aby zapobiec starzeniu się oleju.

Czyszczenie i konserwacja

- Przed umyciem zawsze wyłącz urządzenie z prądu.
- Uwaga: Nigdy nie zanurzaj urządzenia w wodzie lub w innym płynie!
- Umyj zewnętrzną stronę przy pomocy wilgotnej szmatki (użyj roztworu wody i łagodnego środka czyszczącego).
- Nigdy nie używaj żrących środków czyszczących ani materiałów ściernych. Nie używaj ostrych przedmiotów. Nie używaj benzyny ani rozpuszczalników. Czyść urządzenie wilgotną szmatką oraz ewentualnie płynem do mycia naczyń. Nie stosuj żadnych materiałów ściernych.
- Wyczyść otwory wentylacyjne przy pomocy odkurzacza.
- Urządzenia nie należy czyścić przy pomocy myjki parowej ani pod strumieniem wody.
- Po wyczyszczeniu, urządzenie należy ponownie złożyć upewniając się, że panel kontrolny (panel grzewczy) jest odpowiednio zamontowany - w przeciwnym razie urządzenie nie będzie działać poprawnie.

Wyszukiwanie i usuwanie usterek

Usterka	Objaw	Przyczyna	Możliwe rozwiązanie
Urządzenie w ogóle nie reaguje.	światelka wyłącznika nie świecą się i nie pali się pomarańczowa lampka	Brak napięcia sieciowego	Sprawdź instalację elektryczną. Awaria wyłącznik
		Włączył się system ogranicznika temperatury (wyłącznik termiczny).	Zresetuj system ogranicznika temperatury (wyłącznik termiczny). (Patrz strona 30)
		Awaria systemu ogranicznika temperatury (wyłącznik termiczny).	Skontaktować się z dostawcą.
		Awaria termostatu.	Skontaktować się z dostawcą.
Urządzenie nie rozgrzewa się do ustawionej temperatury.	Długi czas smażenia. Nie pali się zielona lampka.	Awaria termostatu.	Skontaktować się z dostawcą.
		Awaria grzałki.	Skontaktować się z dostawcą.

Jeśli po przeprowadzeniu powyższych kontroli usterka nadal występuje, zalecamy skontaktowanie się z serwisem technicznym. W razie wątpliwości zawsze skontaktuj się z dostawcą!



Specyfikacja techniczna

Numer produktu	205808	205815	205822	205839	205846	205853
Napięcie robocze (V) & częstotliwość (Hz)	230V- 50Hz					
Maksymalny pobór mocy elektrycznej (W)	3000W	3300W	3500W	3500W x 2	3000W x 2	3300W x 2
Stopień ochrony	Klasa I					
Współczynnik szczelności	IPX3					
Zakres temperatury	50-190°C					
Zawartość	4L	6L	8L	8L x 2	4L x 2	6L x 2
Wymiary urządzenia	217x380x (H)300mm	265x430x (H)290mm	265x430x (H)345mm	550x430x (H)345mm	470x420x (H)330mm	550x430x (H)290mm
Waga netto [ok.]	5kg	5,4kg	6kg	11kg	8.5kg	9,5kg

Numer produktu	975404	975428
Napięcie robocze (V) & częstotliwość (Hz)	230V- 50Hz	
Maksymalny pobór mocy elektrycznej (W)	2200W	3500W
Stopień ochrony	Klasa I	
Współczynnik szczelności	IPX3	
Zakres temperatury	50-190°C	
Zawartość	4L	8L
Wymiary urządzenia	217x380x (H)300mm	265x430x (H)345mm
Waga netto [ok.]	5kg	6kg

Uwagi: Specyfikacja techniczna może ulec zmianie bez uprzedzenia.

Gwarancja

Każda wada bądź usterka powodująca niewłaściwe funkcjonowanie urządzenia, która ujawni się w ciągu jednego roku od daty zakupu, zostanie bezpłatnie usunięta lub urządzenie zostanie wymienione na nowe, o ile byto użytkowane i konserwowane zgodnie z instrukcją obsługi i nie byto wykorzystywane w niewłaściwy sposób lub niezgodnie z przeznaczeniem. Postanowienie to w żadnej mierze nie narusza innych praw użytkownika wynikających z przepisów prawa. W przypadku zgłoszenia urzą-

dzenia do naprawy lub wymiany w ramach gwarancji należy podać miejsce i datę zakupu urządzenia i dołączyć dowód zakupu (np. paragon).

Zgodnie z naszą polityką ciągłego doskonalenia wyrobów zastrzegamy sobie prawo do wprowadzania bez uprzedzenia zmian w wyrobie, opakowaniu oraz danych technicznych podawanych w dokumentacji.

Wycofanie z użytkowania i ochrona środowiska Pamiętaj!

Nie wyrzucaj zużytego sprzętu łącznie z innymi odpadami

Nie demontuj zużytych urządzeń zawierających niebezpieczne składniki na własną rękę!

Grożą Ci za to kary grzywny!

Po zakończeniu eksploatacji produktu nie wolno gromadzić razem z odpadami komunalnymi, tylko należy odstawić do punktu odbioru odpadów elektrycznych i elektronicznych. Użytkownik ponosi odpowiedzialność za przekazanie wycofanego z użytkowania urządzenia do punktu gospodarowania odpadami. Nieprzestrzeganie tej zasady może być karane zgodnie z lokalnie obowiązującymi przepisami dotyczącymi gospodarowania odpadami. Jeśli urządzenie wycofane z użytkowania jest poprawnie odebrane jako osobny odpad, może zostać przetworzone i zutyliczowane w sposób przyjazny dla środowiska, co zmniejsza negatywny wpływ na środowisko i zdrowie ludzi. Aby uzyskać więcej informacji dotyczących dostępnych usług w zakresie odbioru odpadów, należy skontaktować się z lokalną firmą odbierającą odpady.



Symbol przekreślonego kosza na śmieci oznacza, że tego produktu nie wolno wyrzucać do zwykłych pojemników na odpady.

Zużyte urządzenia elektryczne i elektroniczne mogą zawierać niebezpieczne składniki np. rtęć, ołów, kadm lub freon. Jeśli tego typu substancje przedostaną się w sposób niekontrolowany do środowiska, spowodują skażenie wody i gleby, a także wpłyną niekorzystnie na zdrowie ludzi i zwierząt.

Właściwe postępowanie ze zużytym sprzętem zapobiega potencjalnym negatywnym konsekwencjom dla środowiska naturalnego i ludzkiego zdrowia.


Jednocześnie oszczędzamy naturalne zasoby naszej Ziemi wykorzystując powtórnie surowce uzyskane z przetwarzania sprzętu.



Cher client,


Merci d'avoir acheté cet appareil **Hendi**. Lisez attentivement ce manuel, en accordant une attention particulière aux règles de sécurité décrites ci-dessous, avant d'installer et d'utiliser cet appareil pour la première fois.

Règlement sur la sécurité

- Cet appareil est destiné à un usage professionnel uniquement.
- N'utilisez l'appareil qu'aux fins prévues pour lesquelles il a été conçu comme décrit dans le présent manuel.
- Le fabricant n'est pas responsable des dommages causés par un mauvais fonctionnement et une mauvaise utilisation.
- Gardez l'appareil et la prise électrique à l'écart de l'eau et des autres liquides. Dans le cas où l'appareil tombe dans l'eau, retirez immédiatement la prise d'alimentation de la prise. N'utilisez pas l'appareil tant qu'elle n'a pas été vérifiée par un technicien certifié. Si vous ne respectez pas ces instructions, vous risquez de mettre la vie en danger.
- N'essayez jamais d'ouvrir le boîtier de l'appareil par vous-même.
- N'insérez pas d'objets dans le boîtier de l'appareil.
- Ne touchez pas la prise avec les mains mouillées ou humides.
-  **DANGER DE CHOC ÉLECTRIQUE!** N'essayez pas de réparer l'appareil par vous-même, les réparations doivent être effectuées uniquement par du personnel qualifié.
- **N'utilisez jamais un appareil endommagé!** Lorsqu'il est endommagé, débranchez l'appareil de la prise et contactez le détaillant.
- **AVERTISSEMENT!** Ne pas immerger les parties électriques de l'appareil dans de l'eau ou d'autres liquides.
- Ne tenez jamais l'appareil sous l'eau courante.
- Vérifiez régulièrement la prise d'alimentation et le cordon pour tout dommage. Lorsqu'il est endommagé, il doit être remplacé par un agent de service ou une personne qualifiée de la même manière afin d'éviter un danger ou une blessure.
- Assurez-vous que le cordon n'entre pas en contact avec des objets tranchants ou chauds et maintenez-le à l'écart du feu ouvert. Ne tirez jamais le cordon d'alimentation pour le débrancher de la prise, tirez toujours la prise à la place.
- Assurez-vous que le cordon d'alimentation et/ou le rallonge ne présentent pas de risque de déclenchement.
- Ne laissez jamais l'appareil sans surveillance pendant l'utilisation.
- **AVERTISSEMENT!** Tant que la prise est dans la prise, l'appareil est connecté à la source d'alimentation.
- Éteignez l'appareil avant de le débrancher de la prise.
- Connectez la prise d'alimentation à une prise électrique facilement accessible afin qu'en cas d'urgence l'appareil puisse être débranché immédiatement.
- Ne portez jamais l'appareil par le cordon.
- N'utilisez pas de périphériques supplémentaires qui ne sont pas fournis avec la solution matérielle-logicielle.

- Connectez uniquement l'appareil à une prise électrique dont la tension et la fréquence sont indiquées sur l'étiquette de l'appareil.
- N'utilisez jamais d'accessoires autres que ceux recommandés par le fabricant. Le fait de ne pas le faire pourrait présenter un risque pour la sécurité de l'utilisateur et pourrait endommager l'appareil. Utilisez uniquement des pièces et accessoires d'origine.
- Cet appareil ne doit pas être utilisé par des personnes ayant des capacités physiques, sensorielles ou mentales réduites, ou par des personnes qui ont un manque d'expérience et de connaissances.
- Cet appareil ne doit en aucun cas être utilisé par des enfants.
- Gardez l'appareil et son cordon d'alimentation hors de portée des enfants.
- **ATTENTION:** éteignez TOUJOURS l'appareil et débranchez de la prise d'alimentation avant le nettoyage, l'entretien ou le stockage.

Règlement spécial sur la sécurité

-  **ATTENTION ! SURFACE CHAUDE !** La température des surfaces disponibles de l'appareil pendant l'utilisation est très élevée. Touchez uniquement les boutons du panneau de contrôle.
- Si l'appareil doit être placé à proximité de murs, de cloisons, de meubles de cuisine, de finitions décoratives, etc., il est recommandé de les recouvrir de matériaux ininflammables ; Si cela n'est pas possible, couvrez ce type de surfaces avec un matériau d'isolation thermique non combustible approprié et respectez les réglementations en matière d'incendie.
- Ne placez pas l'appareil sur un objet émettant de la chaleur (cuisinière à gaz, cuisinière électrique, grill, etc.). Gardez l'appareil à l'écart de toute surface chaude ou d'une flamme nue. Placez l'appareil sur une surface plane, stable, propre et sèche, résistant aux températures élevées.
- N'utilisez pas l'appareil à proximité de matériaux explosifs ou inflammables, de cartes de paiement, de disques magnétiques ou de radios.
- L'appareil n'est pas conçu pour fonctionner avec une minuterie externe ou un système de télécommande séparé.
- **AVERTISSEMENT :** Si le niveau d'huile dans le réservoir est inférieur au marquage L (niveau minimum) ou si le réservoir est vide, il y a un risque d'incendie.
- **AVERTISSEMENT :** Ne faites pas frire des produits alimentaires contenant beaucoup d'eau pour éviter la formation de mousse et les éclaboussures d'huile. Il est possible de mettre au maximum 1 kg de produits alimentaires dans la chambre de cuisson.
- Assurez un espace d'au moins 20 cm autour de l'appareil pour garantir une ventilation adéquate pendant l'utilisation.
- Utilisez uniquement l'huile destinée à la friture. Changez d'huile ou la graisse dans le réservoir. L'huile usée ou sale peut s'enflammer lorsqu'elle est chauffée à une température trop élevée.
- N'utilisez pas de couverts en plastique lorsque vous utilisez l'appareil.



- **DANGER !** N'utilisez jamais de l'huile usée parce que son un point d'éclair est inférieur et elle est plus sujette à l'ébullition soudaine ce qui augmente le risque d'incendie ou de situation dangereuse.
- **ATTENTION !** L'utilisation de la nourriture de teneur en eau trop élevée ou de la quantité de nourriture excessive influencera la rapidité d'atteindre de la température d'ébullition de l'huile.
- Pour des raisons de sécurité chaque fois pendant la friture ne mettez pas trop de nourriture (la quantité maximale est d'environ 2 kg).
- Lavez l'appareil et les accessoires après chaque utilisation (--> Nettoyage et entretien)
- Ne nettoyez pas l'appareil avec un jet d'eau sous pression ou avec un nettoyeur à vapeur, ne rincez pas l'appareil avec de l'eau pour éviter l'humidité ou la pénétration de l'eau dans l'appareil ce qui pourrait entraîner un choc électrique.
- **ATTENTION !** Faites passer et protégez correctement le cordon d'alimentation pour éviter toute traction accidentelle et tout contact avec la surface chauffée.
- Ne nettoyez pas l'appareil avec de l'eau. Le nettoyage de l'appareil peut provoquer la pénétration de l'eau dans les pièces électriques et provoquer un choc électrique.
- Ne nettoyez pas et ne placez pas l'appareil dans un endroit de stockage avant qu'il ne soit complètement refroidi.
- Les parties de l'appareil ne peuvent pas être lavées au lave-vaisselle.
- Avant de nettoyer ou de remplir l'appareil, débranchez la fiche de la prise de courant
- L'installation électrique doit répondre aux exigences nationales et locales pertinentes.
- Assurez-vous que le réservoir d'huile et l'élément chauffant sont placés dans un endroit sûr dans la cuisine en raison de la température élevée de l'appareil pendant le fonctionnement.

Utilisation prévue

- Cet appareil est destiné à un usage professionnel. Ne peut qu'être utilisé par du personnel qualifié.
- L'appareil est destiné à un usage commercial et est utilisé pour la friture d'aliments appropriés tels que les frites, etc. L'utilisation de l'appareil à d'autres fins peut entraîner des dommages ou des blessures.
- L'utilisation de l'appareil à d'autres fins sera considérée comme une utilisation inappropriée. L'utilisateur sera seul responsable de l'utilisation incorrecte de l'appareil.

Installation de mise à la terre

Cet appareil est classé dans la **classe de protection I** et doit être raccordé à un sol de protection. La mise à la terre réduit le risque de choc électrique en fournissant un fil d'évacuation pour le courant électrique. Cet appareil est équipé d'un cordon

d'alimentation muni d'un fil de mise à la terre et d'une prise mise à la terre. La fiche doit être branchée sur une prise correctement installée et mise à la terre.

Préparation avant la première utilisation

Assurez-vous que l'appareil est intact. S'il est endommagé, contactez immédiatement votre fournisseur et N'UTILISEZ PAS l'appareil.

- Enlevez tout le matériel d'emballage et le feuil de protection éventuellement existant
- Nettoyez l'appareil avec de l'eau tiède et un chiffon doux.
- Mettez l'appareil dans une position horizontale et sur un fondement stable à moins qu'il ne soit indiqué autrement.

- Veillez à ce qu'il reste assez d'espace autour de l'appareil pour l'évacuation de la chaleur.
- Installez l'appareil en veillant à ce que la prise de courant demeure accessible à tout moment.
- Conservez l'emballage si vous avez l'intention de stocker votre appareil à l'avenir.

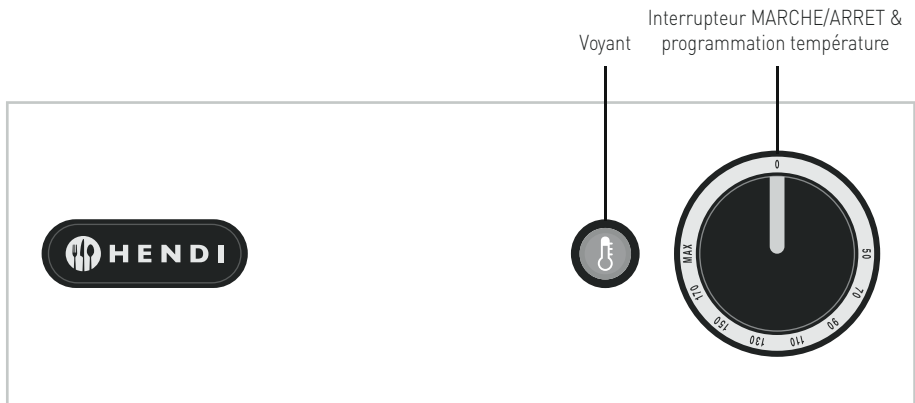
Installation

- L'appareil est équipé de pieds en caoutchouc. L'appareil doit être placé sur une surface plane, stable, propre et sèche, résistant aux températures élevées.
- Fixez soigneusement le support arrière de l'appareil avec l'élément chauffant à l'arrière du réservoir d'huile.

Note:

1. Assurez-vous que l'axe à l'arrière de l'appareil est correctement fixé.
2. Avant de commencer le travail, assurez-vous que le réservoir d'huile et l'élément chauffant sont placés dans un endroit sûr dans la cuisine en raison de la température élevée de l'appareil pendant le fonctionnement.

Tableau de contrôle



Utilisation

- Retirez la fiche de la prise de courant.
- Remplissez le récipient avec de l'huile ou de la graisse jusqu'à l'indication H-mark (niveau maximum). ATTENTION ! Si vous utilisez une graisse consistante, préchauffez-la avant d'en remplir l'appareil. Vous éviterez ainsi qu'elle ne brûle et aussi la surcharge de l'appareil.

- Introduisez la fiche à ergot de terre dans une prise à la terre.
- Mettez le thermostat à la température désirée. Le voyant orange s'allume.
- Quand l'huile/graisse est à la température désirée, le voyant orange s'éteint.
- Vous pouvez faire frire.



Friture

La friteuse comporte une zone froide unique pour que les miettes et le résidu coulent au fond et pour préserver la qualité de l'huile.

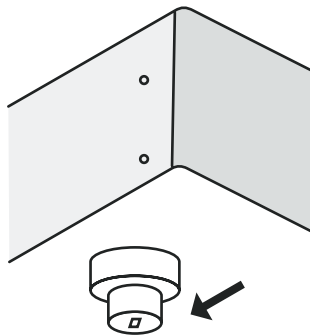
Contrôlez régulièrement s'il y a assez d'huile ou de graisse dans le récipient. Le niveau ne doit jamais se trouver au-dessous de l'indication MIN.

REMISE A ZERO (RESET) du dispositif de protection thermique

Veuillez noter que le bouton de REINITIALISATION est situé sous l'ensemble de l'élément chauffant amovible et est protégé par un capuchon (voir la figure).

- D'abord débranchez la friteuse de la prise électrique.
- Laissez refroidir la friteuse complètement.
- Retirez l'élément chauffant de la friteuse de l'appareil.
- Retirez le capuchon noir de protection du bouton de REINITIALISATION.
- Appuyez sur le bouton de REINITIALISATION du dispositif de protection thermique. Vous allez entendre un clic.

- Revissez le capuchon noir de protection du bouton de REINITIALISATION.
- Installez l'élément chauffant dans l'appareil.



Conseils de friture

- Utilisez préférentiellement uniquement de graisse liquide ou d'huile.
- La température recommandée pour les frites et les collations est de 175°C maximum.
- Chauffer l'huile/la graisse lentement. Par exemple, de préférence en trois étapes: tout d'abord à 100°C, ensuite de 100-140°C, puis 140-175°C, avec une pause entretemps de 15 min.
- Retirez de la glace et des miettes des aliments congelés.
- Ne mettez jamais trop de produits à frire dans la friteuse, car cela refroidit l'huile/la graisse rapidement et les produits à frire ne seront pas assez

vite grillés et seront plus intégrés avec de matières grasses. La ratio idéal entre la graisse/l'huile et les produits à frire est 1:10.

- Avec un usage intensif vous devriez toujours enlever les restes de cuisson de la graisse/huile.
- Remplacez l'huile/la graisse à temps. Utilisez des bandes d'essai ou un appareil de mesure pour suivre quand il faut remplacer la graisse.
- Si la graisse ou d'huile a de la mousse, la fumée ou devient liquideux, vous devez le remplacer. Aussi quand une forte odeur ou un goût fort se développe.

Graisse consistante

- Si vous utilisez, contre nos conseils, quand même de graisse consistante : faire chauffer la graisse lentement, dans la position la plus basse jusqu'à ça fonde. Lorsque la graisse a fondu, vous pouvez régler la température de friture adéquate.
- Lorsque vous utilisez de graisse consistante, laissez fondre le bloc de graisse lentement sur

un feu modéré dans une poêle à frire normale. Versez délicatement la graisse fondue dans la friteuse. Branchez la fiche principale et allumez la friteuse.

- Retirez le panier de friture après utilisation de la graisse. Cela empêche que le panier devient coincé dans la graisse solidifiée.

Après utilisation

- Débranchez l'appareil, éteignez l'interrupteur et retirez la fiche de la prise de courant.
- Retirez le panier avant qu'il ne se fige dans la graisse refroidie.
- Placez le couvercle sur la friteuse pour mieux conserver la graisse.

Nettoyage et entretien

- Avant de nettoyer l'appareil, débranchez toujours la prise électrique.
- Attention : Ne plongez jamais l'appareil dans de l'eau ou dans un autre liquide !
- Nettoyez l'extérieur de l'appareil avec un chiffon humide (imbibé d'eau mélangée à un détergent doux).
- N'utilisez jamais de détergent agressif ou de la poudre à récurer. N'utilisez jamais d'objet tranchant ou pointu. N'utilisez jamais d'essence ou de solvant ! Nettoyez avec un chiffon humide et éventuellement du liquide vaisselle, mais n'utilisez pas de produit abrasif.
- L'appareil ne peut pas être nettoyé avec un nettoyeur à vapeur ou à l'eau.
- Après le nettoyage réassemblez l'appareil en s'assurant que le panneau de contrôle (panneau de chauffage) est correctement installé, sinon l'appareil ne fonctionnera pas correctement.

Recherche des pannes et dépannage

Panne	Description	Cause	Solution possible
L'appareil ne fonctionne pas du tout.	Voyant orange ne s'allume pas	Pas de tension	Contrôlez l'installation électrique Interrupteur défectueux
		Dispositif de protection thermique enclenchée.	Réinitialisez le dispositif de protection thermique (voir page 38)
		Dispositif de protection thermique défectueux.	Contactez votre fournisseur.
		Thermostat défectueux	Contactez votre fournisseur.
L'appareil ne fournit pas la température désirée.	Cuisson longue	Thermostat défectueux	Contactez votre fournisseur.
		Élément défectueux	Contactez votre fournisseur.

Si après ces contrôles, le dysfonctionnement persiste, il est conseillé de contacter l'assistance technique. En cas de doute, prenez aussi toujours contact avec votre fournisseur.



Caractéristiques techniques

Numéro de produit	205808	205815	205822	205839	205846	205853
Tension de fonctionnement (V) & fréquence (Hz)	230V- 50Hz					
Consommation d'énergie maximale (W)	3000W	3300W	3500W	3500W x 2	3000W x 2	3300W x 2
Degré de protection	Classe I					
Coefficient d'étanchéité	IPX3					
Plage de température	50-190°C					
Contenu	4L	6L	8L	8L x 2	4L x 2	6L x 2
Dimensions de l'appareil	217x380x (H)300mm	265x430x (H)290mm	265x430x (H)345mm	550x430x (H)345mm	470x420x (H)330mm	550x430x (H)290mm
Poids net (env.)	5kg	5,4kg	6kg	11kg	8.5kg	9,5kg

Numéro de produit	975404	975428
Tension de fonctionnement (V) & fréquence (Hz)	230V- 50Hz	
Consommation d'énergie maximale (W)	2200W	3500W
Degré de protection	Classe I	
Coefficient d'étanchéité	IPX3	
Plage de température	50-190°C	
Contenu	4L	8L
Dimensions de l'appareil	217x380x (H)300mm	265x430x (H)345mm
Poids net (env.)	5kg	6kg

Remarque : Les caractéristiques peuvent être modifiées sans préavis.

Garantie

Tout vice ou toute défaillance entraînant un dysfonctionnement de l'appareil qui se déclare dans les 12 mois suivant la date de l'achat sera éliminé à titre gratuit ou l'appareil sera remplacé par un appareil nouveau si le premier a été dûment exploité et entretenu conformément aux termes de la notice d'exploitation et s'il n'a pas été indûment exploité ou de manière non conforme à sa destination. La présente stipulation ne porte pas de préjudice aux autres droits de l'utilisateur prévus par les dispositions légales. Dans le cas où l'appareil est donné à la réparation ou doit être remplacé

dans le cadre de la garantie, il y a lieu de spécifier le lieu et la date de l'achat de l'appareil et produire un justificatif nécessaire (par ex. facture ou ticket de caisse).

Conformément à notre politique d'amélioration permanente de nos produits, nous nous réservons le droit d'introduire sans avertissement préalable des modifications à l'appareil, à l'emballage et aux caractéristiques techniques précisées dans la documentation.

Élimination et protection de l'environnement


En cas de retrait du produit de l'exploitation l'appareil ne peut pas être jeté avec d'autres déchets ménagers. L'utilisateur est responsable de la remise de l'équipement au point de collecte approprié pour l'équipement usagé. Le non-respect des dispositions ci-dessus peut entraîner les pénalités conformément à la réglementation applicable en matière d'élimination des déchets. La collecte sélective et le recyclage des équipements usagés contribuent à la conservation des ressources na-

turelles et assurent un recyclage sans danger pour la santé et l'environnement. Pour plus d'informations sur les endroits de collecte des équipements usagés pour le recyclage, contactez la société de collecte des déchets locale. Le producteur et l'importateur ne sont pas responsables du recyclage et du traitement des déchets d'une manière respectueuse de l'environnement directement et dans le système public.



Grazie per aver acquistato questo apparecchio HENDI. Leggere attentamente questo manuale, prestando particolare attenzione alle norme di sicurezza descritte di seguito, prima di installare e utilizzare questo apparecchio per la prima volta.


Norme di sicurezza

- Questo apparecchio è destinato esclusivamente all'uso commerciale.
- Utilizzare l'apparecchio solo per lo scopo previsto per il quale è stato progettato come descritto nel presente manuale.
- Il produttore non è responsabile per eventuali danni causati da un funzionamento scorretto e da un uso improprio.
- Tenere l'apparecchio e la spina elettrica lontano da acqua e altri liquidi. Nel caso in cui l'apparecchio cada in acqua, rimuovere immediatamente la spina di alimentazione dalla presa. Non utilizzare l'apparecchio fino a quando non è stato controllato da un tecnico certificato. Il mancato rispetto di queste istruzioni causerà rischi pericolosi per la vita.
- Non tentare mai di aprire l'alloggiamento dell'apparecchio da soli.
- Non inserire oggetti nell'alloggiamento dell'apparecchio.
- Non toccare la spina con le mani bagnate o umide.
-  **PERICOLO DI SCOSSE ELETTRICHE!** Non tentare di riparare l'apparecchio da solo, le riparazioni devono essere eseguite solo da personale qualificato.
- **Non utilizzare mai un apparecchio danneggiato!** Quando è danneggiato, scollegare l'apparecchio dalla presa e contattare il rivenditore.
- **AVVERTIMENTO!** Non immergere le parti elettriche dell'apparecchio in acqua o altri liquidi.
- Non tenere mai l'apparecchio sotto l'acqua corrente.
- Controllare regolarmente la spina e il cavo di alimentazione per eventuali danni. Se danneggiato, deve essere sostituito da un agente di servizio o da una persona altrettanto qualificata al fine di evitare pericoli o lesioni.
- Assicurarsi che il cavo non entri in contatto con oggetti appuntiti o caldi e tenerlo lontano dal fuoco aperto. Non tirare mai il cavo di alimentazione per scollegarlo dalla presa, staccare sempre la spina.
- Assicurarsi che il cavo di alimentazione e/o la prolunga non causino rischi di inciampare.
- Non lasciare mai l'apparecchio incustodito durante l'uso.
- **AVVERTIMENTO!** Finché la spina si trova nella presa, l'apparecchio è collegato alla fonte di alimentazione.
- Spegnerne l'apparecchio prima di scollegarlo dalla presa.
- Collegare la spina di alimentazione a una presa elettrica facilmente accessibile in modo che in caso di emergenza l'apparecchio possa essere scollegato immediatamente.
- Non portare mai l'apparecchio con il cavo.
- Non utilizzare dispositivi aggiuntivi non forniti insieme all'apparecchio.
- Collegare l'apparecchio a una presa elettrica solo con la tensione e la frequenza indicati

sull'etichetta dell'apparecchio.

- Non utilizzare mai accessori diversi da quelli consigliati dal produttore. In caso contrario, potrebbe comportare un rischio per la sicurezza dell'utente e danneggiare l'apparecchio. Utilizzare solo parti e accessori originali.
- Questo apparecchio non deve essere utilizzato da persone con capacità fisiche, sensoriali o mentali ridotte o da persone che hanno una mancanza di esperienza e conoscenze.
- Questo apparecchio non deve, in nessun caso, essere utilizzato dai bambini.
- Tenere l'apparecchio e il suo cavo di alimentazione fuori dalla portata dei bambini.
- **ATTENZIONE:** spegnere SEMPRE l'apparecchio e scollegarlo dalla presa di corrente prima della pulizia, della manutenzione o della conservazione.

Norme speciali di sicurezza

-  **ATTENZIONE! SUPERFICIE CALDA!** La temperatura delle superfici disponibili dell'apparecchio durante l'uso è molto alta. Toccare solo i pulsanti del pannello di controllo.
- Se l'apparecchio deve essere posizionato vicino a pareti, pareti divisorie, mobili da cucina, finiture decorative, ecc., si raccomanda che siano coperti con materiali non infiammabili; se questo non è possibile, coprire tali superfici con un idoneo materiale isolante termico non combustibile e osservare le norme antincendio.
- Non posizionare l'apparecchio su un oggetto che emette calore (fornello a gas, fornello elettrico, grill, ecc.). Tenere l'apparecchio lontano da superfici calde o fiamme libere. Posizionare l'apparecchio su una superficie piana, stabile, pulita e asciutta, resistente alle alte temperature.
- Non utilizzare l'apparecchio vicino a materiali esplosivi o infiammabili, carte di pagamento, dischi magnetici o radio.
- L'apparecchio non è progettato per funzionare con un timer esterno o un sistema di controllo remoto separato.
- **AVVERTENZA:** se il livello dell'olio nel recipiente è al di sotto del segno L (livello minimo) o se il recipiente è vuoto, c'è il rischio di incendio.
- **AVVERTENZA:** non friggere prodotti alimentari che contengono molta acqua per evitare la formazione di schiuma e schizzi d'olio. Mettere nella camera di frittura al massimo 1 kg di prodotti alimentari.
- Prevedere almeno uno spazio di 20 centimetri attorno all'apparecchio per assicurare una corretta ventilazione durante l'uso.
- Utilizzare solo olio per frittura. Cambiare regolarmente olio o grasso nel recipiente. L'olio vecchio o sporco può incendiarsi se è riscaldato a una temperatura troppo alta.
- Non utilizzare le posate di plastica mentre si utilizza l'apparecchio.
- **PERICOLO!** Non usare mai olio vecchio perché il suo punto di infiammabilità è inferiore ed è più incline ad ebollizione improvvisa che aumenta il rischio di un incendio o di una situazione pericolosa.
- **ATTENZIONE!** L'utilizzo di cibo di contenuto troppo elevato di acqua o di quantità eccessiva di cibo influisce la velocità di raggiungere la temperatura di ebollizione dell'olio.



- Per ragioni di sicurezza ogni volta durante frittura non mettere troppa quantità di cibo (carico massimo è di circa 2 kg).
- Lavare l'apparecchio e i suoi accessori dopo ogni utilizzo (-> Pulizia e manutenzione)
- Non lavare l'apparecchio con acqua o un forte getto di acqua e non utilizzare un pulitore a vapore. La pulizia dell'apparecchio con l'acqua può causare la penetrazione dell'umidità nei componenti elettrici e causare una scossa elettrica.
- **ATTENZIONE!** Far passare e proteggere il cavo di alimentazione per evitare di strappare o toccare accidentalmente la superficie riscaldata.
- Non pulire l'apparecchio con l'acqua. La pulizia dell'apparecchio con l'acqua può causare la penetrazione dell'umidità nei componenti elettrici e causare una scossa elettrica.
- Non pulire o posizionare l'apparecchio in un luogo di conservazione se non è completamente raffreddato.
- Le parti dell'apparecchio non possono essere lavate in lavastoviglie.
- Prima di pulire o riempire l'apparecchio, scollegare l'apparecchio dalla presa.
- L'installazione elettrica deve soddisfare i requisiti nazionali e locali pertinenti.
- Assicurarsi che il recipiente dell'olio e l'elemento riscaldante siano collocati in un luogo sicuro in cucina a causa dell'elevata temperatura dell'apparecchio durante il funzionamento.

Uso previsto

- Questo apparecchio è destinato all'uso professionale e può essere utilizzato solo da personale qualificato.
- L'elettrodomestico è progettato esclusivamente per friggere alimenti adatti come patatine fritte, ecc. L'uso del dispositivo per qualsiasi altro scopo può causare danni o lesioni.
- L'uso del dispositivo per qualsiasi altro scopo sarà considerato un uso improprio. L'utente sarà l'unico responsabile per l'uso scorretto del dispositivo.

Installazione di messa a terra

Questo apparecchio è classificato come **classe di protezione I** e deve essere collegato a un terreno di protezione. La messa a terra riduce il rischio di scosse elettriche fornendo un filo di fuga per la corrente elettrica. Questo apparecchio è dotato di

un cavo di alimentazione che ha un cavo di messa a terra e una spina messa a terra. La spina deve essere collegata a una presa correttamente installata e messa a terra.

Preparazione per la messa in funzione

- Testare l'apparecchio per eventuali danni. Se tali danni esistono, contattare immediatamente il fornitore e non usare in nessun caso l'apparecchio.
- Togliere l'imballaggio e l'eventuale pellicola protettiva.
- Pulire l'apparecchio con un panno morbido ed acqua tiepida.
- In mancanza di disposizioni, posizionare l'apparecchio in modo orizzontale.
- Intorno all'apparecchio dovrebbe esserci spazio sufficiente.
- Posizionare l'apparecchio in modo che la spina possa essere tolta in ogni momento.
- Conservare la confezione se si intende riporre l'elettrodomestico in futuro.

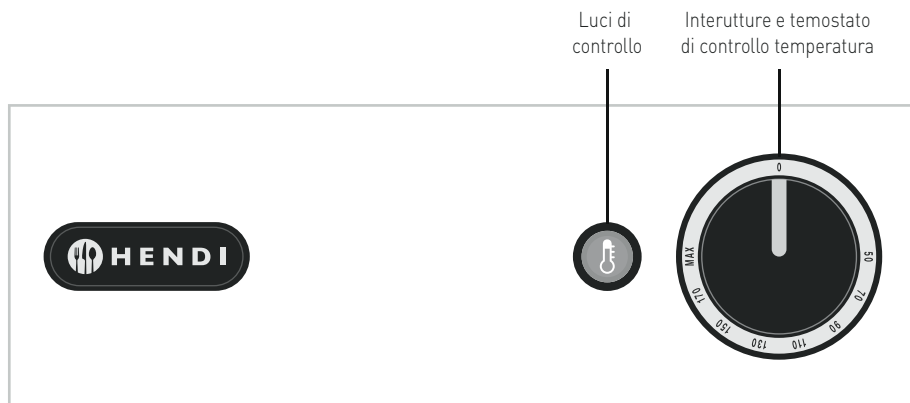
Installazione

- L'apparecchio è dotato di piedini in gomma. L'apparecchio deve essere posizionato su una superficie piana, stabile, pulita e asciutta, resistente alle alte temperature.
- Attaccare con attenzione il supporto posteriore con l'elemento riscaldante sul retro del recipiente dell'olio.

Nota:

1. Assicurarsi che il perno sul supporto posteriore dell'apparecchio sia correttamente fissato.
2. Prima di iniziare i lavori, assicurarsi che il recipiente dell'olio e l'elemento riscaldante siano collocati in un luogo sicuro in cucina a causa dell'elevata temperatura dell'apparecchio durante il funzionamento.

Schema di utilizzo



Uso - impiego

- Togliere la spina dalla presa.
- Riempire il contenitore fino alla line Segno H (livello massimo) con olio o grasso. **ATTENZIONE:** tipi di grassi non fluidi sono da riscaldare prima del riempimento, per evitare l'infiamarsi del grasso stesso e un eventuale sovraccarico.

- Attaccare la spina Schuko in una presa a terra.
- Inserire nel termostato la temperatura desiderata. Si accende la spia arancione.
- Quando la temperatura desiderata è raggiunta, la spia arancione si spegne.
- L'apparecchio è pronto per friggere.

Friggere

La friggitrice è in possesso di una zona-freddo unica, dove i resti della frittura e le briciole scendono sul fondo e, perciò, il grasso ha una durata naturalmente più lunga.

Controllare regolarmente se nel contenitore c'è olio o grasso a sufficienza. Il livello non deve scendere mai sotto il segnale MIN.

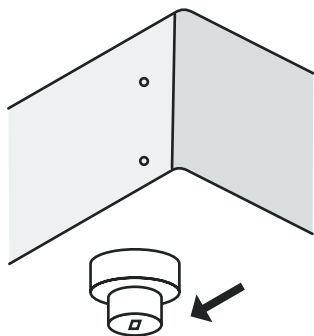


Eeguire il reset del circuito di sovraccarico

Ricordarsi che il pulsante di RESET si trova nella parte inferiore del pannello di controllo staccabile ed è protetto da un tappo (vedere la figura).

- In primo luogo scollegare l'apparecchio dalla presa elettrica togliendo la spina.
- Lasciare raffreddare completamente l'apparecchio.
- Rimuovere il pannello di controllo rimovibile dal supporto.
- Togliere il tappo nero di protezione del pulsante RESET.
- Premere il pulsante RESET della circuito di sovraccarico. Si sente un clic.
- Avvitare il tappo nero di protezione del pulsante RESET.

- Rimontare il pannello di controllo rimovibile sul supporto.



Suggerimenti per la frittura

- Usare preferibilmente solo olio o grasso da frittura liquidi
- La temperatura di frittura consigliata non deve superare mai i 175° C.
- Riscaldare l'olio lentamente in tre fasi, per esempio, prima a 100° C, poi a 140° C ed infine a 175° C, con una sospensione di circa 15 minuti tra una fase e l'altra.
- Allontanare il ghiaccio e le briciole dalla frittura congelata.

- Non friggere mai troppo in una sola volta, ciò può causare un raffreddamento del grasso rispettivamente dell'olio. Olio o grasso freddo, possono essere assorbiti dagli alimenti. Il rapporto ideale è max 1:10.
- Dopo l'uso, filtrare accuratamente le briciole ed altri resti dall'olio/grasso.
- Cambiare regolarmente l'olio/grasso. Usare le strisce reattive per regolari controlli.
- Se l'olio/grasso inizia a schiumare, fumare od a puzzare, sostituirlo immediatamente.

Grasso Solido

- Se contrariamente al nostro consiglio usate, comunque, grasso solido: riscaldate il grasso lentamente nella posizione più bassa fino a che si scioglie. Quando il grasso è sciolto, si può scegliere la temperatura di frittura adatta.
- Se usate grasso solido, sciogliere i blocchi di grasso lentamente, a temperatura moderata,

in un normale tegame per frittura. Versare con cura il grasso sciolto nella friggitrice. Solo allora inserite la presa nella corrente ed accendete la friggitrice.

- Dopo l'uso, rimuovete il cestello dal grasso. Con ciò si evita che il cestello si fissi nel grasso solidificato.

Dopo l'uso

- Spegner l'apparecchio spegnendo l'interruttore e togliendo la spina dalla presa.
- Togliere il cestello dal grasso. Facendo ciò si evita che il cestello si fissi nel grasso rappreso.

- Porre il coperchio sulla friggitrice, in modo che il grasso resti fresco.

Pulitura e manutenzione

- Prima di ogni pulitura togliere sempre la spina.
- Attenzione: non immergere mai l'apparecchio nell'acqua od in altri liquidi!
- Pulire l'esterno dell'apparecchio con un panno umido (acqua con un detergente delicato).
- Non usare mai in nessun caso detersivi o abrasivi aggressivi. Non usare oggetti appuntiti o affilati. Non usare benzina o solventi! Pulire l'apparecchio con un panno umido o eventualmente, con un detersivo. Non usare abrasivi.
- L'apparecchio non deve essere pulito con un pulitore a vapore o con acqua.
- Dopo la pulizia, l'apparecchio deve essere riassemblato controllando che il pannello di controllo (pannello di riscaldamento) è installato correttamente – altrimenti l'apparecchio non funzionerà correttamente.

Identificazione e risoluzione dei problemi

Guasto	Motivo	Causa	Eventuale soluzione
L'apparecchio non funziona	La spia verde arancione non è accesa	Nessuna tensione di rete	Controllare l'impianto elettrico L'interruttore è difettoso
		È stato attivato il circuito di sovraccarico	Disattivare il circuito di sovraccarico. (Vedere pagina 46)
		Il circuito di sovraccarico è difettoso	Contattare il fornitore
		Termostato difettoso	Contattare il fornitore
L'apparecchio non raggiunge la temperatura indicata	Durata della frittura troppo lunga	Termostato difettoso	Contattare il fornitore
		Elemento difettoso	Contattare il fornitore

Se, nonostante tutti i controlli l'apparecchio presente sempre ancora guasti, rivolgersi al servizio clienti. In caso di dubbi, mettersi in contatto con il fornitore!



Specifiche tecniche

Numero del prodotto	205808	205815	205822	205839	205846	205853
Tensione e frequenza	230V- 50Hz					
Consumo di energia	3000W	3300W	3500W	3500W x 2	3000W x 2	3300W x 2
Classe di protezione	Classe I					
Classe di resistenza all'acqua	IPX3					
Campo di temperature	50-190°C					
Capacità	4L	6L	8L	8L x 2	4L x 2	6L x 2
Dimensioni dell'apparecchio	217x380x (H)300mm	265x430x (H)290mm	265x430x (H)345mm	550x430x (H)345mm	470x420x (H)330mm	550x430x (H)290mm
Peso netto (circa)	5kg	5,4kg	6kg	11kg	8,5kg	9,5kg

Numero del prodotto	975404	975428
Tensione e frequenza	230V~ 50Hz	
Consumo di energia	2200W	3500W
Classe di protezione	Classe I	
Classe di resistenza all'acqua	IPX3	
Campo di temperature	50-190°C	
Capacità	4L	8L
Dimensioni dell'apparecchio	217x380x (H)300mm	265x430x (H)345mm
Peso netto (circa)	5kg	6kg

Nota: Le specifiche tecniche sono soggette a modifiche senza preavviso.

Garanzia

Qualsiasi difetto che influenza la funzionalità del dispositivo che compaia entro un anno dall'acquisto sarà corretto a titolo interamente gratuito o con la sostituzione del prodotto che è stato utilizzato e sottoposto a manutenzione corretta seguendo le istruzioni, senza alcuna violazione. I diritti legali del cliente non sono assolutamente modificati. Nel caso in cui l'intervento di manutenzione o sostitu-

zione sia previsto nel periodo di validità della garanzia, precisare dove e quando si è acquistato il prodotto, possibilmente allegando lo scontrino.

In linea con la nostra politica di sviluppo continuo dei prodotti, ci riserviamo il diritto di modificare il prodotto, l'imballo e le specifiche di documentazione, senza notifica alcuna.

Smaltimento e protezione dell'ambiente

In caso di ritiro dell'apparecchiatura dal funzionamento il prodotto non può essere smaltito con altri rifiuti domestici. L'utente è responsabile della consegna dell'attrezzatura al punto di raccolta appropriato per l'attrezzatura usata. Il mancato rispetto delle disposizioni sopramenzionate può comportare l'imposizione di sanzioni in conformità con le normative vigenti in materia di smaltimento dei rifiuti. La raccolta e il riciclaggio selettivi di attrezzature usate contribuiscono alla conservazione delle risorse

naturali e garantiscono il riciclaggio in modo tale da non nuocere alla salute e all'ambiente.

Per ulteriori informazioni sui luoghi di smaltimento delle apparecchiature usate per il riciclaggio, contattare la società locale di raccolta dei rifiuti. Il produttore e l'importatore non sono responsabili per il riciclaggio e il trattamento dei rifiuti in modo ecologico, sia direttamente che nel quadro del sistema pubblico.



Stimate client,

Vă mulțumim pentru achiziționarea acestui aparat Hendi. Citiți cu atenție acest manual, acordând o atenție deosebită reglementărilor de siguranță prezentate mai jos, înainte de a instala și utiliza acest aparat pentru prima dată.

Regulile de siguranță


- Acest aparat este destinat numai pentru uz comercial.
- Utilizați aparatul numai în scopul pentru care a fost proiectat conform descrierii din acest manual.
- Producătorul nu este răspunzător pentru nici o deteriorare cauzată de funcționarea incorectă și de utilizarea necorespunzătoare.
- Păstrați aparatul și ștecherul departe de apă și de alte lichide. În cazul în care aparatul cade în apă, scoateți imediat ștecherul de alimentare din priză. Nu utilizați aparatul înainte de verificarea acestuia de către un tehnician certificat. Nerespectarea acestor instrucțiuni va cauza riscuri care pun viața în pericol.
- Nu încercați niciodată să deschideți singur carcasa aparatului.
- Nu introduceți obiecte în carcasa aparatului.
- Nu atingeți ștecherul cu mâinile umede sau umede.
- ⚠ **PERICOL DE ȘOC ELECTRIC!** Nu încercați să reparați singur aparatul, reparațiile trebuie efectuate numai de personal calificat.
- **Nu folosiți niciodată un aparat deteriorat!** Când este deteriorat, deconectați aparatul de la priză și contactați distribuitorul.
- **AVERTISMENT!** Nu scufundați părțile electrice ale aparatului în apă sau alte lichide.
- Nu țineți niciodată aparatul sub jet de apă.
- Verificați cu regularitate ștecherul și cablul de alimentare pentru orice deteriorare. În cazul deteriorării, acesta trebuie înlocuit de un agent de service sau de o persoană calificată în mod similar, pentru a evita pericolul sau rănirea.
- Asigurați-vă că cablul nu intră în contact cu obiecte ascuțite sau fierbinți și păstrați-l departe de focul deschis. Nu trageți niciodată cablul de alimentare pentru a-l deconecta de la priză, trageți întotdeauna ștecherul în schimb.
- Asigurați-vă că cablul de alimentare și/sau cablul prelungitor nu provoacă pericol de deplasare.
- Nu lăsați niciodată aparatul nesupravegheat în timpul utilizării.
- **AVERTISMENT!** Atâta timp cât ștecherul este în priză, aparatul este conectat la sursa de alimentare.
- Opriți aparatul înainte de a-l deconecta de la priză.
- Conectați ștecherul la o priză electrică ușor accesibilă, astfel încât, în caz de urgență, aparatul să poată fi deconectat imediat.
- Nu purtați niciodată aparatul de cablu.
- Nu utilizați dispozitive suplimentare care nu sunt furnizate împreună cu aparatul.
- Conectați aparatul numai la o priză electrică cu tensiunea și frecvența menționate pe eticheta aparatului.

RO



- Nu folosiți niciodată alte accesorii decât cele recomandate de producător. Nerespectarea acestui lucru ar putea reprezenta un risc de siguranță pentru utilizator și ar putea deteriora aparatul. Utilizați numai piese originale și accesorii.
- Acest aparat nu trebuie operat de persoane cu capacități fizice, senzoriale sau mentale reduse sau de persoane care au o lipsă de experiență și cunoștințe.
- Acest aparat nu ar trebui, în nici un caz, să fie utilizat de copii.
- Nu lăsați aparatul și cablul de alimentare la îndemâna copiilor.
- **AVERTISMENT:** Opriti întotdeauna aparatul și deconectați de la priză înainte de curățare, întreținere sau depozitare.

Regulamente speciale de siguranță

-  **ATENȚIE! SUPRAFAȚĂ FIERBINTE!** Temperatura suprafeței accesibile este foarte ridicată în timpul utilizării. Atingeți doar pictogramele de pe panoul de comandă.
- Dacă aparatul trebuie așezat în apropierea unui zid, perete despărțitor, mobilier de bucătărie, finisaje decorative etc., recomandăm ca acestea să fie făcute din materiale necombustibile; dacă nu, acestea trebuie învelite în materiale termoizolatoare, cu maximum de atenție la respectarea normelor de prevenire a incendiilor.
- Nu puneți aparatul pe un obiect de încălzire (aparat de gătit cu benzină, electric, cărbune etc.). Mențineți aparatul la distanță de orice suprafețe fierbinți și de flăcări deschise. Utilizați întotdeauna aparatul pe o suprafață orizontală, stabilă, curată, termorezistentă și uscată.
- Nu utilizați aparatul în apropierea materialelor explozibile sau inflamabile, cardurilor de credit, discurilor magnetice sau radiourilor.
- Acest aparat nu este construit spre a fi utilizat cu ajutorul unui cronometru extern sau al unui sistem de control separat.
- **AVERTISMENT:** Există pericol de foc dacă nivelul uleiului se află sub marcajul „L” (Min) sau dacă recipientul pentru ulei este gol.
- **AVERTISMENT:** Nu prăjiți alimente prea umede și prea multe alimente în același timp, pentru a evita spumarea excesivă și deversarea uleiului. Cantitatea maximă a unui lot este de aproximativ 1 kg.
- În timpul utilizării, lăsați cel puțin 20 cm în jurul aparatului ca spațiu de ventilație.
- Folosiți doar ulei sau untură adecvate pentru prăjit. Înlocuiți uleiul sau untura la intervale regulate. Uleiul sau untura prăjite excesiv sau murdare se pot aprinde dacă se supraîncălzesc.
- Nu utilizați tacâmuri din plastic în timpul funcționării.
- **PERICOL!** Nu folosiți niciodată ulei vechi deoarece uleiul vechi are un punct de aprindere mai scăzut și este mai susceptibil de a forma spumă, ceea ce crește riscul de incendiu și de apariție a situațiilor periculoase.
- **AVERTISMENT!** Alimentele excesiv de umede sau puse în cantitate prea mare în aparat influențează punctul de fierbere al uleiului.
- Din motive de siguranță, nu este bine să puneți la prăjit cantități prea mari dintr-o dată (cantitatea maximă de încărcare este de aproximativ 2 kg).

- Curățați aparatul și celelalte accesorii după fiecare utilizare (-->Curățare și întreținere).
- Nu folosiți niciodată jeturi de apă, nu turnați apă direct peste aparat și nu curățați aparatul cu abur, deoarece piesele se vor uda, ceea ce ar duce la electrocutare.
- **ATENȚIE!** Așezați corespunzător cablul de alimentare, dacă este cazul, pentru a împiedica tragerea neintenționată sau contactul cu suprafața de încălzire.
- Nu spălați aparatul cu apă. La spălare se pot produce scurgeri, ceea ce va crește riscul de electrocutare.
- Nu curățați și nu depozitați aparatul decât după ce s-a răcit complet.
- Niciuna dintre piese nu este destinată spălării în mașina de spălat vase.
- Scoateți întotdeauna ștecherul din priză atunci când umpleți sau curățați friteuza.
- Instalația electrică trebuie să fie conformă cu reglementările aplicabile naționale și locale.
- Rezervorul friteuzei și elementul trebuie amplasate într-o poziție sigură în bucătăria dumneavoastră înainte de utilizare, din cauza conținutului fierbinte din timpul utilizării.

Utilizare preconizată

- Acest aparat este destinat uzului profesional și poate fi utilizat numai de personal calificat.
- Acest aparat este destinat exclusiv prăjirea numai a anumitor alimente cum ar fi cartofii prăjiți. Orice altă utilizare poate provoca avarierea aparatului sau accidentarea persoanelor.
- Utilizarea aparatului în orice alt scop reprezintă o utilizare incorectă. Utilizatorul este singurul răspunzător de orice utilizare incorectă a aparatului.

Instalare împământare

Acest aparat este clasificat ca **clasa de protecție I** și trebuie conectat la un sol de protecție. Împământarea reduce riscul de șoc electric prin furnizarea unui cablu de evacuare pentru curentul

electric. Acest aparat este echipat cu un cablu de alimentare care are un fir de împământare și ștecher cu împământare. Ștecherul trebuie conectat la o priză instalată și împământată corespunzător.

Pregătirea pentru prima sa utilizare

- Verificați ca aparatul să nu fie avariât. În cazul unor avarii, contactați imediat furnizorul dumneavoastră și NU utilizați aparatul.
- Scoateți ambalajul acestuia
- Curățați aparatul cu apă caldă și cu o cârpă moale.
- Poziționați aparatul pe o suprafață dreaptă și stabilă, doar dacă nu s-a menționat altfel.
- Asigurați-vă că este destul loc în jurul aparatului pentru ventilație.
- Poziționați aparatul în așa fel încât accesul la priză să fie permis tot timpul.
- Păstrați ambalajul dacă intenționați să depozitați aparatul înăuntru său pe viitor.

Instalare

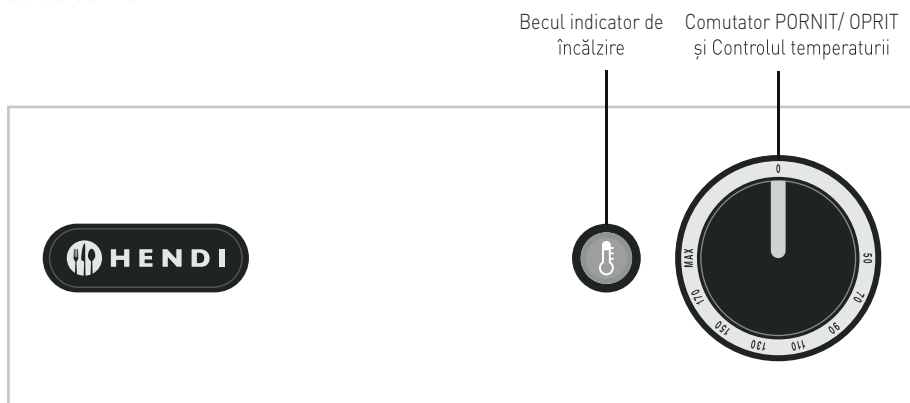
- Poziționați aparatul, cu piciorușele de susținere din cauciuc, pe o suprafață orizontală, stabilă, curată, termorezistentă și uscată.
- Instalați cu grijă suportul posterior cu element de încălzire pe muchia din spate a recipientului pentru ulei.

Notă:

1. Asigurați-vă că știftul de pe suportul posterior se află în poziție corectă și este montat corespunzător.
2. Aparatul trebuie amplasat într-o poziție sigură în bucătăria dumneavoastră înainte de utilizare, din cauza conținutului fierbinte din timpul utilizării.



Panoul de Control



Utilizarea

- Scoateți ștecherul din priză.
- Umpleți rezervorul cu ulei sau ulei hidrogenat până la indicatorul H-marcajul (nivelul maxim). Notă! Pentru a evita arderea grăsimii și supraîncărcarea, grăsimea solidă trebuie preîncălzită înainte de a umple rezervorul.
- Introduceți ștecherul într-o priză de legată la pământ.
- Reglați termostatul la temperatura dorită. Ledul portocaliu se va aprinde.
- În momentul în care uleiul sau grăsimea a ajuns la temperatura necesară, ledul portocaliu se stinge.
- Aparatul este pregătit pentru a putea fi pus în funcțiune.

RO

Prepararea

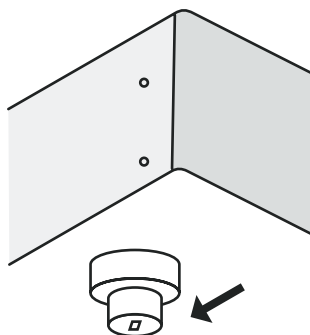
Dispozitivul de prajire este proiectat cu un sistem de racire unic care permite ca resturile și rezidurile să se depună. Acest lucru permite, de asemenea, reutilizarea uleiului/grăsimii.

Verificați periodic dacă rezervorul conține o cantitate suficientă de ulei sau grăsime. Nivelul nu trebuie să fie niciodată sub indicatorul MIN.

RESETAȚI siguranța (întrerupere termică)

De observat că butonul RESET este situat în partea de jos a panoului de comandă detașabil și este acoperit cu un capac de protecție (vezi desenul)

- Mai întâi scoateți friteuza din priză.
- Lăsați friteuza să se răcească complet.
- Scoateți panoul de comandă detașabil din suport.
- Deșurubați capacul de protecție al butonului RESET.
- Apăsăți butonul RESET al siguranței (întrerupere termică). Trebuie să se audă un clic.
- Înșurubați la loc capacul de protecție pe butonul RESET.
- Montați la loc în suport panoul de comandă detașabil.



Sfaturi pentru preparare

- Folosiți numai ulei sau grăsime în stare lichidă.
- Temperatura recomandată pentru prăjirea chips-urilor și a gustărilor este de maxim 175°C.
- Încălziți uleiul treptat. Preferabil în 3 etape, de exemplu, mai întâi la 100°C, apoi la 100-140°C și ulterior la 140°C - 175°C, cu pauze între respectivele etape de câte 15 minute.
- Îndepărtați gheața sau alte resturi ale alimentelor congelate.
- Nu prăjiți o cantitate prea mare odată. Acest lucru poate cauza răcirea excesivă a uleiului sau a grăsimii. În uleiul răcit/grăsimea întărită alimentele nu se prădesc în profunzime, acestea rămânând uleioase. Proporția ideală de alimente congelate pentru ulei/grăsime este de maxim 1:10.
- Atunci când aparatul este folosit intensiv, uleiul trebuie filtrat pentru a elimina firimiturile și alte resturi.
- Înlocuiți uleiul sau grăsimea la timp. Folosiți periodic benzi sau echipament de testare, pentru a ști când trebuie să schimbați uleiul/grăsimea.
- Schimbați uleiul sau grăsimea când aceasta începe să facă spumă sau devine închisă la culoare sau lăptoasă. De asemenea, schimbați uleiul/grăsimea dacă are miros sau gust înțepător.

Grăsimi solide

- În cazul în care, contrar recomandărilor noastre, folosiți grăsimi solide: încălziți grăsmimea solidă treptat, la cea mai mică temperatură, până ce aceasta se topește. Atunci când grăsimea este topită, puteți regla temperatura corespunzătoare pentru prăjire.
- La folosirea grăsimilor solide, permiteți bucăților de grăsime să se topească ușor, la temperatură moderată, într-o tigaie normală. Turnați cu grijă grăsimea topită în rezervorul pentru ulei al fri-teuzei. Introduceți ștecherul în priză și porniți aparatul.
- Înlăturați coșul de prăjire din grăsime după utilizare, în caz contrar, acesta se poate bloca în grăsimia întărită.

După utilizare

- Opriiți aparatul și scoateți ștecherul din priză din perete.
- Îndepărtați grăsimea din coș, pentru a evita blocarea acestuia în grăsimea solidificată.
- Așezați capacul pe aparat, pentru a prelungi durata de utilizare a grăsimii.

Curățarea și întreținerea

- Scoateți întotdeauna ștecherul din priză înainte de curățare.
- Atenție! Nu introduceți niciodată aparatul în apă sau în orice alt lichid!
- Curățați aparatul cu o cârpă umedă (apă cu detergent ușor).
- Nu utilizați niciodată agenți de curățare puternici sau corozivi. Nu folosiți obiecte ascuțite sau con-
- tondente. Nu folosiți petrol sau solvenți! Curățați cu o cârpă umedă și detergent dacă este necesar. Nu folosiți materiale abrazive. Curățați gurile de ventilație (dacă există) cu aspiratorul.
- Nu curățați aparatul folosind aburi sau jet de apă.
- Asamblați aparatul după curățare și asigurați-vă că panoul de încălzire și comandă este montat corect, în caz contrar aparatul nu va funcționa.



Depanare

Defect	Problemă	Cauză posibilă	Soluție posibilă
Friteuza nu pornește	Indicator luminos portocaliu nu se aprinde	Nu există curent în sursă	Verificați instalația electrică Comutator defect
		Siguranța (întrerupere termică) decuplat	Reglați din nou siguranța (întrerupere termică) [A se vedea pagina 52]
		Siguranța (întrerupere termică) defect	Contactați furnizorul
		Termostat defect	Contactați furnizorul
Aparatul nu ajunge la temperatura necesară	Prăjire de lungă durată.	Termostat defect	Contactați furnizorul
		Dispozitiv defect	Contactați furnizorul

Dacă după aceste operații, defectul continuă, vă recomandăm să contactați asistența tehnică. În caz de neclarități, întotdeauna contactați producătorul!

Specificația tehnică

Articol nr.	205808	205815	205822	205839	205846	205853
Tensiune și frecvență	230V- 50Hz					
Puterea nominală de intrare	3000W	3300W	3500W	3500W x 2	3000W x 2	3300W x 2
Clasa de protecție	Clasa I					
Clasa de protecție contra apei	IPX3					
Interval de temperatură	50-190°C					
Cuprins	4L	6L	8L	8L x 2	4L x 2	6L x 2
Dimensiunile mașinii	217x380x (H)300mm	265x430x (H)290mm	265x430x (H)345mm	550x430x (H)345mm	470x420x (H)330mm	550x430x (H)290mm
Greutate netă (aprox.)	5kg	5,4kg	6kg	11kg	8,5kg	9,5kg

Articol nr.	975404	975428
Tensiune și frecvență	230V- 50Hz	
Puterea nominală de intrare	2200W	3500W
Clasa de protecție	Clasa I	
Clasa de protecție contra apei	IPX3	
Interval de temperatură	50-190°C	
Cuprins	4L	8L
Dimensiunile mașinii	217x380x (H)300mm	265x430x (H)345mm
Greutate netă (aprox.)	5kg	6kg

Observație: Specificația tehnică poate fi modificată fără preaviz.



Garanție

Orice defecțiune care afectează funcționarea aparatului apărută la mai puțin de un an de la cumpărarea acestuia va fi remediată prin reparație sau înlocuire gratuită, cu condiția ca aparatul să fi fost folosit și întreținut conform instrucțiunilor nu să nu fi fost bruscat sau folosit necorespunzător în vreun fel. Drepturile dumneavoastră legale nu sunt afec-

tate. Dacă aparatul este în garanție, menționați când și de unde a fost cumpărat și includeți dovada cumpărării (de ex. chitanța).

Conform politicii noastre de dezvoltare continuă a produsului, ne rezervăm dreptul de a modifica produsul, ambalajul și documentația fără notificare.

Eliminarea și mediul înconjurător


La dezafectarea aparatului, produsul nu trebuie aruncat împreună cu alte deșeuri menajere. În schimb, este responsabilitatea dumneavoastră să eliminați echipamentul uzat prin predarea acestuia la un punct de colectare desemnat. Nerespectarea acestei reguli poate fi penalizată în conformitate cu reglementările aplicabile privind eliminarea deșeurilor. Colectarea separată și reciclarea echipamentului dumneavoastră uzat la momentul debarasării contribuie la conservarea resurselor naturale și

asigură realizarea reciclării într-un mod care protejează sănătatea ființelor umane și a mediului. Pentru informații suplimentare privind modul în care puteți preda deșeurile dumneavoastră în scopul reciclării, vă rugăm să contactați compania locală de colectare a deșeurilor. Producătorii și importatorii nu își asumă responsabilitatea cu privire la reciclarea, tratarea și eliminarea ecologică a deșeurilor, fie direct, fie prin intermediul unui sistem public.




Благодарим Вас за покупку этого устройства Hendi. Внимательно прочитайте это руководство, обращая особое внимание на правила безопасности, изложенные ниже, перед установкой и использованием этого устройства в первый раз.

Правила безопасности

- Это оборудование предназначено только для коммерческого использования.
- Используйте прибор только по назначению, для которого он был разработан, как описано в данном руководстве.
- Изготовитель не несет ответственности за любой ущерб, вызванный неправильной работой и неправильным использованием.
- Держите прибор и электрическую вилку подальше от воды и других жидкостей. В случае, если прибор попадает в воду, немедленно снимите вилку питания с розетки. Не используйте устройство до тех пор, пока оно не будет проверено сертифицированным техническим специалистом. Несоблюдение этих инструкций приведет к угрожающей жизни опасности.
- Никогда не пытайтесь открыть корпус прибора самостоятельно.
- Не вставляйте объекты в корпус прибора.
- Не прикасайтесь к вилке мокрыми или влажными руками.
-  **ОПАСНОСТЬ ПОРАЖЕНИЯ ЭЛЕКТРИЧЕСКИМ ТОКОМ!** Не пытайтесь самостоятельно отремонтировать прибор, ремонт должен проводиться только квалифицированный персонал.
- **Никогда не используйте поврежденный прибор!** Когда устройство повреждено, отсоедините устройство от розетки и обратитесь к продавцу.
- **ПРЕДУПРЕЖДЕНИЕ!** Не погружайте электрические части прибора в воду или другие жидкости.
- Никогда не удерживайте прибор под проточной водой.
- Регулярно проверяйте штекер питания и шнур на наличие повреждений. В случае повреждения его необходимо заменить сервисным агентом или лицом, имеющим аналогичную квалификацию, с тем чтобы избежать опасности или травм.
- Убедитесь, что шнур не соприкасается с острыми или горячими предметами и держите его подальше от открытого огня. Никогда не тяните шнур питания, чтобы отсоединить его от розетки, всегда тяните вилку вместо нее.
- Убедитесь, что шнур питания и/или удлинитель не вызывают опасности аварии.
- Никогда не оставляйте прибор без присмотра во время использования.
- **ПРЕДУПРЕЖДЕНИЕ!** Пока штекер находится в розетке, прибор подключается к источнику питания.
- Выключите устройство, прежде чем отсоединить его от розетки.
- Подключите вилку питания к легкодоступной электрической розетке, чтобы в случае аварийной ситуации устройство можно было немедленно отключить.
- Никогда не носите прибор за шнур.

- Не используйте дополнительные устройства, которые не поставляются вместе с устройством.
- Подключите прибор только к электрической розетке с напряжением и частотой, указанными на этикетке устройства.
- Никогда не используйте аксессуары, кроме тех, которые рекомендованы производителем. Невыполнение этого требования может представлять опасность для безопасности пользователя и привести к повреждению устройства. Используйте только оригинальные детали и аксессуары.
- Этот прибор не должен эксплуатироваться лицами с ограниченными физическими, сенсорными или умственными возможностями, или лицами, не имеющими опыта и знаний.
- Этот прибор ни при каких обстоятельствах не должен использоваться детьми.
- Держите устройство и его шнур питания в недоступном для детей месте.
- **ПРЕДУПРЕЖДЕНИЕ:** ВСЕГДА выключите устройство и отключите розетку от розетки перед очисткой, обслуживанием или хранением.

Специальные правила безопасности

-  **ОСТОРОЖНО! ГОРЯЧАЯ ПОВЕРХНОСТЬ!** Температура доступных поверхностей устройства во время использования очень высокая. Прикасайтесь только к кнопкам панели управления.
- Если устройство будет располагаться рядом со стенкой, перегородками, кухонной мебелью, декоративной отделкой и т.п., рекомендуется, чтобы они были покрыты невоспламеняющимися материалами; если это невозможно, накройте такие поверхности подходящим негорючим теплоизоляционным материалом и соблюдайте правила пожарной безопасности.
- Не размещайте устройство на объекте, который излучает тепло (газовая или электрическая плита, гриль и т.п.). Держите устройство подальше от любых горячих поверхностей или открытого пламени. Поместите устройство на ровную, стабильную, чистую и сухую поверхность, устойчивую к высоким температурам.
- Не используйте устройство вблизи взрывчатых или легковоспламеняющихся материалов, платежных карт, магнитных дисков или радиоприемников.
- Устройство не приспособлено для управления с помощью внешнего таймера или отдельной системы дистанционного управления.
- **ПРЕДУПРЕЖДЕНИЕ:** Если уровень масла в контейнере ниже отметки L (минимальный уровень) или если контейнер пуст, существует опасность пожара.
- **ПРЕДУПРЕЖДЕНИЕ:** Не обжаривайте пищевые продукты, содержащие много воды, чтобы предотвратить вспенивание и разбрызгивание масла. В жарочной ванне можно поместить максимально 1 кг пищевых продуктов.
- Обеспечьте по крайней мере 20-сантиметровое пространство вокруг устройства, чтобы обеспечить достаточную вентиляцию во время использования.



- Используйте только масло, предназначенное для жарки. Регулярно меняйте масло или жир в контейнере. Старое или грязное масло может загореться при нагревании до слишком высокой температуры.
- Не используйте пластиковые столовые приборы во время работы устройства.
- **ОПАСНОСТЬ!** Никогда не используйте старое масло, потому что оно имеет более низкую температуру вспышки и более восприимчиво к внезапному кипению, что увеличивает риск пожара или опасной ситуации.
- **ПРЕДУПРЕЖДЕНИЕ!** Размещение пищи со слишком высоким содержанием воды или в слишком большом количестве влияет на скорость достижения температуры кипения масла.
- По соображениям безопасности, никогда во время жарки не вставляйте слишком большой порции пищи (максимальная партия – это прим. 2 кг).
- Устройство и его аксессуары мойте после каждого использования (-->Очистка и обслуживание)
- Не мойте устройство с помощью струи воды под давлением или пароочистителя, не промывайте устройство водой, так как это может привести к увлажнению или проникновению воды во внутренние части устройства, что приведет к поражению электрическим током.
- **ВНИМАНИЕ!** Правильно подключите и закрепите шнур питания для предотвращения случайного вытягивания или контакта с нагретой поверхностью.
- Не мойте устройство водой. Мытьё устройства может привести к попаданию воды в электрические детали и привести к поражению электрическим током.
- Не чистите и не помещайте устройство в место хранения, пока оно полностью не остынет.
- Детали устройства нельзя мыть в посудомоечной машине.
- Перед чисткой или заполнением устройства выньте вилку из розетки.
- Электроустановка должна соответствовать соответствующим национальным и местным требованиям.
- Убедитесь, что контейнер для масла и нагревательный элемент помещены в безопасное место на кухне из-за высокой температуры устройства во время работы.

Назначение устройства

- Это оборудование предназначено для профессионального использования и может эксплуатироваться только квалифицированным персоналом.
- Устройство предназначено для коммерческого использования и используется для жарки определенных продуктов, в том числе картофеля фри и т. п. Использование устройства для любых других целей может привести к повреждению или травме тела.
- Использование устройства для любых других целей будет рассматриваться, как использование не по назначению. Пользователь будет нести исключительную ответственность за неправильное использование устройства.

Монтаж заземления

Миксер является устройством I класса защиты и должен быть заземлен. Заземление снижает риск поражения электрическим током за счет использования отводящего провода. Устройство

оснащено проводом заземления с заземляющей вилкой. Вилка должна быть подключена к розетке переменного тока, которая надлежащим образом установлена и заземлена.

Подготовка перед первым использованием

- Убедитесь, что устройство не повреждено. В случае возникновения каких-либо повреждений, немедленно обратитесь к поставщику и НЕ используйте устройство.
- Снимите упаковку и защитную пленку (если имеются).
- Очистите устройство теплой водой и мягкой тканью.

- Если не указано иное, установите устройство на ровную и устойчивую поверхность.
- Обеспечьте достаточное пространство вокруг устройства для обеспечения его вентиляции.
- Установите устройство так, чтобы всегда иметь хороший доступ к вилке.
- Сохраните упаковку, если намереваетесь хранить прибор в будущем.

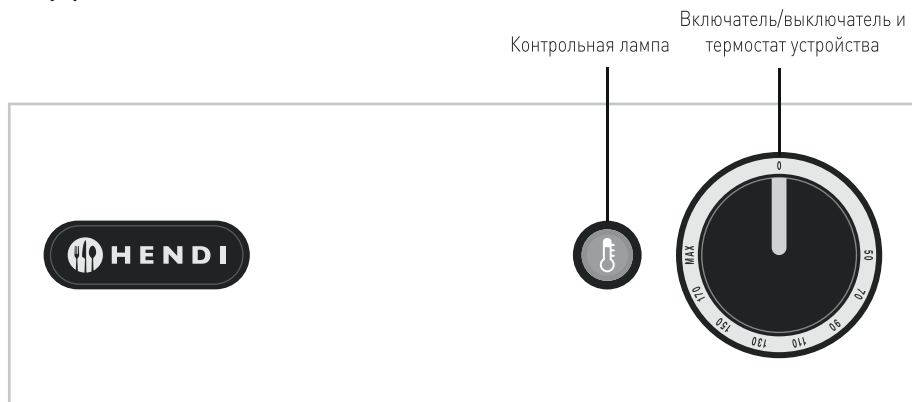
Установка

- Устройство оснащено резиновыми ножками. Устройство должно быть размещено на ровной, стабильной, чистой и сухой поверхности, устойчивой к высоким температурам.
- Осторожно прикрепите задний опорный кронштейн устройства с нагревательным элементом на задней части контейнера для масла

Примечание:

1. Убедитесь, что штифт на задней панели устройства надежно закреплен.
2. Перед началом работы убедитесь, что контейнер для масла и нагревательный элемент установлены в кухне в надежном месте из-за высокой температуры устройства во время работы.

Панель управления



Использование

- Вытяните вилку из розетки.
- Заполните емкость маслом или жиром до линии с надписьюН-отметка (максимальный уровень).

Внимание! В случае использования твердого жира, прежде чем поместить его в емкость, нужно его подогреть – благодаря этому можно избежать подгорания жира и перегрузки устройства.

- Вставьте заземленную вилку в заземленную розетку.
- С помощью термостата, выберете нужную температуру. Засветится оранжевая лампочка
- При достижении заданной температуры, оранжевая лампочка гаснет.
- Можете начинать жарить.

Жарка во фритюре

Фритюрница оснащена уникальной системой «холодной зоны», которая позволяет отпадать крошкам и остаткам после жарки на дно емкости, что позволяет значительно повысить эффективность жира/масла.

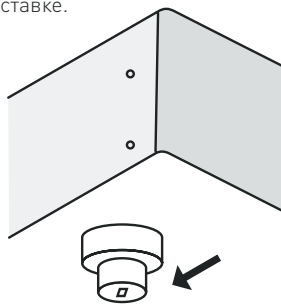
Регулярно проверяйте достаточно ли масла или жира в емкости. Уровень жира никогда не может быть ниже уровня, отмеченного как MIN.

СБРОС ограничителя (термовыключателя)

Обратите внимание, что кнопка RESET, расположена в нижней части съемной панели управления и защищена колпачком (смотрите на рисунок).

- Сначала, отключите устройство от источника питания, вынимая вилку из розетки.
- Оставьте устройство до полного охлаждения.
- Отсоедините съемную панель управления от подставки.
- Открутите чёрный защитный колпачок кнопки RESET.
- Нажмите кнопку RESET ограничителя (термовыключателя). Услышите щелчок.

- Прикрутите заново чёрный защитный колпачок кнопки RESET.
- Установите заново съемную панель управления на подставку.



RU

Советы для жарки (lub жарения) во фритюре

- Используйте жидкое масло или жир для жарки (предпочтительнее).
- Рекомендуемая температура для жарки картофеля фри и закусок составляет максимум 175°C.
- Подогревайте жир медленно. Лучше всего подогревать жир в три этапа, сначала до 100°C, потом от 100-140°C, а затем от 140°C до 175°C с 15-минутными интервалами между каждым шагом.
- Удаляйте лед и крошки из замороженных продуктов.
- Не жарить во фритюре слишком большие порции. Это может привести к падению температуры масла или жира. Охлажденное масло/жир не обжарит нужным образом поверхность,

что приводит к увеличению поглощения жира. Идеальная пропорция замороженных продуктов в масле/жире для жарки во фритюре это максимум 1:10.

- В случае интенсивного использования нужно фильтровать крошки и отработанное масло/жир.
- В нужное время следует поменять масло или жир в устройстве. Чтобы узнать, когда менять масло/жир, регулярно используйте тест-полоски или устройство для тестирования.
- Если масло или жир начинает пениться, дымить или становится слишком липким, нужно поменять масло или жир. Замените масло/жир, когда имеет резкий запах или вкус.



Твердый жир

- Если вы используете твердый жир, несмотря на рекомендации: медленно нагревайте жир до растопления. После растопления жира, можете установить желаемую температуру жаренья.
- Если вы используете твердый жир подождите, когда куски жира медленно начнут таять на

обычной сковороде, на среднем огне. Аккуратно перелейте растопленный жир во фритюрницу. Вставьте вилку и включите фритюрницу.

- После использования снимите корзину для фритюра. В результате, корзина не застынет в загущенном жире.

После использования

- Выключите устройство, и отсоедините кабель от розетки.
- Выньте корзину из емкости с маслом. В результате, корзина не застынет в загущенном жире.

- Накройте фритюрницу крышкой, для предотвращения старения масла.

Чистка и обслуживание

- Перед чисткой всегда отключайте устройство от электросети.
- Примечание: Помните, что устройство нельзя погружать в воду или любую другую жидкость!
- Очистите снаружи тканью используйте раствор воды и мягкого моющего средства).
- Никогда не используйте абразивные чистящие средства или абразивные материалы. Не используйте острые или остро заточенные предметы. Не используйте бензин или растворители! Протирайте влажной тканью или жидкостью для мытья посуды. Не используйте абразивные материалы.

- Не чистите устройство пароочистителем или струей воды.
- После чистки устройство нужно повторно собрать убедившись, что контрольная панель (панель отопления) установлена правильно – в противном случае устройство не будет работать должным образом.

RU

Поиск и устранение неисправностей

Неисправность	Признак	Причина	Возможное решение
Устройство вообще не реагирует	Не горит оранжевая лампочка	Отсутствие электропитания	Проверьте электроустановку. Неисправность лампочки.
		Включилась система ограничителя (термовыключателя)	Сброс ограничителя (термовыключателя)(См. Стр. 60)
		Авария системы ограничителя (термовыключателя)	Обратитесь к поставщику
		Авария термостата	Обратитесь к поставщику
Устройство не нагревается до желаемой температуры	Долгое время жаренья	Авария термостата	Обратитесь к поставщику
		Авария нагревателя	Обратитесь к поставщику

Если после вышеперечисленных проверок неисправность не устранена, рекомендуем обратиться к поставщику.

В случаи сомнений, всегда обращайтесь к своему поставщику!



Технические характеристики

Номер продукта	205808	205815	205822	205839	205846	205853
Рабочее напряжение и частота	230В~ 50Гц					
Потребляемая мощность	3000Вт	3300Вт	3500Вт	3500Вт x 2	3000Вт x 2	3300Вт x 2
Степень защиты	I Класс					
Класс влагозащиты	IPX3					
Диапазон температуры	50-190°C					
Вместимость	4L	6L	8L	8L x 2	4L x 2	6L x 2
Размеры устройства	217x380x (H)300мм	265x430x (H)290мм	265x430x (H)345мм	550x430x (H)345мм	470x420x (H)330мм	550x430x (H)290мм
Вес нетто (приб.)	5кг	5,4кг	6кг	11кг	8,5кг	9,5кг

Номер продукта	975404	975428
Рабочее напряжение и частота	230В~ 50Гц	
Потребляемая мощность	2200Вт	3500Вт
Степень защиты	I Класс	
Класс влагозащиты	IPX3	
Диапазон температуры	50-190°C	
Вместимость	4L	8L
Размеры устройства	217x380x (H)300мм	265x430x (H)345мм
Вес нетто (приб.)	5кг	6кг

Замечания: Технические характеристики могут быть изменены без предварительного уведомления.

Гарантия

Любая недоделка или поломка, которая влечет за собой неправильную работу устройства, которая будет выявлена в течение первого года от даты покупки, будет устранена бесплатно, или же все устройство будет заменено новым, если оно эксплуатировалось и обслуживалось согласно инструкции по обслуживанию и не использовалось неправильно, или в разрез с назначением. Данное положение ни в коей мере не нарушает иных прав потребителя, изложенных в законо-

дательстве. В случае заявления устройства в ремонт или на замену в рамках гарантии, следует указать место и дату покупки устройства и приложить счет, или чековую квитанцию.

Согласно нашей политике совершенствования наших продуктов оставляем за собой право на ввод изменений в конструкцию, упаковку и в технические параметры, указываемые в технической документации без предупреждения.

Утилизация и защита окружающей среды

В случае вывода оборудования из эксплуатации, продукт нельзя утилизировать вместе с другими бытовыми отходами. Пользователь несет ответственность за передачу оборудования в соответствующий пункт приема техники бывшей в употреблении. Несоблюдение вышеуказанного положения может привести к наложению штрафов в соответствии с действующими правилами в отношении утилизации отходов. Селективный сбор и утилизация использованного оборудования способствуют сохранению природных ресурсов и обеспечивают рециркуляцию таким

образом, который не вреден для здоровья и окружающей среды.


Для получения дополнительной информации о том, где можно отдать использованное оборудование для утилизации, обратитесь в местную компанию по сбору отходов. Производитель и импортер не несут ответственности за рециркуляцию и переработку отходов экологически безопасным способом, как непосредственно, так и в рамках государственной системы.

RU




Σας ευχαριστούμε για την αγορά αυτής της συσκευής HENDI. Διαβάστε προσεκτικά αυτό το εγχειρίδιο, δίνοντας ιδιαίτερη προσοχή στους κανονισμούς ασφαλείας που περιγράφονται παρακάτω, πριν εγκαταστήσετε και χρησιμοποιήσετε αυτή τη συσκευή για πρώτη φορά.

Κανονισμοί ασφαλείας

- Η συσκευή προορίζεται μόνο για επαγγελματική χρήση.
- Χρησιμοποιείτε μόνο τη συσκευή για τον επιδιωκόμενο σκοπό για τον οποίο σχεδιάστηκε όπως περιγράφεται στο παρόν εγχειρίδιο.
- Ο κατασκευαστής δεν ευθύνεται για τυχόν ζημιές που προκαλούνται από λανθασμένη λειτουργία και ακατάλληλη χρήση.
- Κρατήστε τη συσκευή και το ηλεκτρικό βύσμα μακριά από νερό και άλλα υγρά. Σε περίπτωση που η συσκευή πέσει στο νερό, αφαιρέστε αμέσως το βύσμα τροφοδοσίας από την πρίζα. Μην χρησιμοποιείτε τη συσκευή μέχρι να ελεγχθεί από πιστοποιημένο τεχνικό. Η μη τήρηση αυτών των οδηγιών θα προκαλέσει απειλητικούς κινδύνους για τη ζωή.
- Ποτέ μην επιχειρήσετε να ανοίξετε μόνοι σας το περίβλημα της συσκευής.
- Μην εισάγετε αντικείμενα στο περίβλημα της συσκευής.
- Μην αγγίζετε το βύσμα με βρεγμένα ή υγρά χέρια.
-  **ΚΙΝΔΥΝΟΣ ΗΛΕΚΤΡΟΠΛΗΞΙΑΣ!** Μην επιχειρήσετε να επισκευάσετε τη συσκευή μόνοι σας, οι επισκευές πρέπει να πραγματοποιούνται μόνο από εξειδικευμένο προσωπικό.
- **Ποτέ μην χρησιμοποιείτε μια κατεστραμμένη συσκευή!** Όταν είναι κατεστραμμένο, αποσυνδέστε τη συσκευή από την πρίζα και επικοινωνήστε με το κατάστημα λιανικής πώλησης.
- **ΠΡΟΕΙΔΟΠΟΙΗΣΗ!** Μην βυθίζετε τα ηλεκτρικά μέρη της συσκευής σε νερό ή άλλα υγρά.
- Ποτέ μην κρατάτε τη συσκευή κάτω από τρεχούμενο νερό.
- Ελέγχετε τακτικά το βύσμα τροφοδοσίας και το καλώδιο για τυχόν ζημιές. Σε περίπτωση βλάβης, πρέπει να αντικατασταθεί από αντιπρόσωπο εξυπηρέτησης ή με παρόμοια προσόντα, ώστε να αποφεύγεται ο κίνδυνος ή ο τραυματισμός.
- Βεβαιωθείτε ότι το καλώδιο δεν έρχεται σε επαφή με αιχμηρά ή ζεστά αντικείμενα και κρατήστε το μακριά από ανοιχτή φωτιά. Μην τραβάτε ποτέ το καλώδιο τροφοδοσίας για να το αποσυνδέσετε από την πρίζα, πάντα τραβάτε το βύσμα.
- Βεβαιωθείτε ότι το καλώδιο τροφοδοσίας ή/και το καλώδιο προέκτασης δεν προκαλούν κίνδυνο διαφυγής.
- Μην αφήνετε ποτέ τη συσκευή αφύλακτη κατά τη χρήση.
- **ΠΡΟΕΙΔΟΠΟΙΗΣΗ!** Όσο το βύσμα βρίσκεται στην πρίζα, η συσκευή είναι συνδεδεμένη με την πηγή τροφοδοσίας.
- Απενεργοποιήστε τη συσκευή πριν την αποσυνδέσετε από την πρίζα.
- Συνδέστε το βύσμα ρεύματος σε μια εύκολα προσβάσιμη πρίζα, ώστε σε περίπτωση ανάγκης να αποσυνδεθεί αμέσως η συσκευή.
- Ποτέ μην μεταφέρετε τη συσκευή από το καλώδιο.
- Μην χρησιμοποιείτε επιπλέον συσκευές που δεν παρέχονται μαζί με τη συσκευή.

- Συνδέστε τη συσκευή μόνο σε πρίζα με την τάση και τη συχνότητα που αναφέρονται στην ετικέτα της συσκευής.
- Ποτέ μην χρησιμοποιείτε εξαρτήματα εκτός από αυτά που συνιστώνται από τον κατασκευαστή. Εάν δεν γίνει κάτι τέτοιο, θα μπορούσε να αποτελέσει κίνδυνο για την ασφάλεια του χρήστη και θα μπορούσε να προκαλέσει βλάβη στη συσκευή. Χρησιμοποιείτε μόνο αυθεντικά εξαρτήματα και αξεσουάρ.
- Η συσκευή αυτή δεν πρέπει να λειτουργεί από άτομα με μειωμένες σωματικές, αισθητηριακές ή διανοητικές ικανότητες ή άτομα με έλλειψη εμπειρίας και γνώσης.
- Αυτή η συσκευή δεν πρέπει, σε καμία περίπτωση, να χρησιμοποιείται από παιδιά.
- Κρατήστε τη συσκευή και το καλώδιο τροφοδοσίας μακριά από παιδιά.
- **ΠΡΟΕΙΔΟΠΟΙΗΣΗ:** Πάντα απενεργοποιείτε τη συσκευή και αποσυνδέστε την πρίζα πριν από τον καθαρισμό, τη συντήρηση ή την αποθήκευση.

Ειδικό Κανονισμοί Ασφαλείας

-  **ΠΡΟΣΟΧΗ! ΚΑΥΤΗ ΕΠΙΦΑΝΕΙΑ!** Η θερμοκρασία της εξωτερικής επιφάνειας είναι υψηλή κατά τη λειτουργία της συσκευής. Αγγίζετε μόνο τα εικονίδια στον πίνακα ελέγχου.
- Όταν η συσκευή τοποθετηθεί κοντά σε τοίχο, χωρίσματα, έπιπλα κουζίνας, διακοσμητικά φινιρίσματα κλπ, προτείνεται τα αντικείμενα αυτά να μην είναι κατασκευασμένα από εύφλεκτα υλικά. Διαφορετικά, θα πρέπει να επενδυθούν με κατάλληλο μη εύφλεκτο θερμομονωτικό υλικό και να τηρούνται αυστηρά οι κανονισμοί πυροπροστασίας.
- Μην τοποθετείτε τη συσκευή επάνω σε αντικείμενα θέρμανσης (βενζίνης, ηλεκτρικό, φούρνο με κάρβουνα κλπ). Διατηρείτε τη συσκευή μακριά από θερμές επιφάνειες και ανοικτές φλόγες. Χρησιμοποιείτε πάντα τη συσκευή σε επίπεδη, σταθερή, καθαρή, στεγνή και ανθεκτική στη θερμότητα επιφάνεια.
- Μην χρησιμοποιείτε τη συσκευή κοντά σε εκρηκτικά ή εύφλεκτα υλικά, πιστωτικές κάρτες, μαγνητικούς δίσκους ή ραδιόφωνα.
- Η συσκευή δεν προορίζεται για λειτουργία μέσω εξωτερικού χρονοδιακόπτη ή ξεχωριστού συστήματος τηλεχειρισμού.
- **ΠΡΟΕΙΔΟΠΟΙΗΣΗ:** Υπάρχει κίνδυνος πυρκαγιάς αν η στάθμη του λαδιού είναι κάτω από την ένδειξη "L" (ελάχιστη στάθμη) ή εάν δεν υπάρχει καθόλου λάδι στον κάδο λαδιού.
- **ΠΡΟΕΙΔΟΠΟΙΗΣΗ:** Μην τηγανίζετε υπερβολικά υγρά υλικά ή μεγάλη ποσότητα υλικών ταυτόχρονα, για να αποφύγετε τυχόν φούσκωμα και υπερχειλίση του λαδιού. Το μέγιστο φορτίο δεν θα πρέπει να υπερβαίνει κατά πολύ το 1 κιλό.
- Αφήστε τουλάχιστον 20 cm ελεύθερο χώρο γύρω από τη συσκευή για λόγους αερισμού κατά τη χρήση.
- Χρησιμοποιείτε μόνο κατάλληλο για το τηγάνισμα λάδι ή λίπος. Αντικαταστήστε το λάδι ή το λίπος ανά τακτά χρονικά διαστήματα. Εάν το λάδι ή το λίπος έχει χρησιμοποιηθεί πολύ, μπορεί να αναφλεγεί αν υπερθερμανθεί."
- Μην βυθίζετε πλαστικά σκεύη μέσα στο ζεστό λάδι ή λίπος.
- **ΚΙΝΔΥΝΟΣ!** Μην ξαναχρησιμοποιείτε πολλές φορές το ίδιο λάδι, καθώς έχει μειωμένο σημείο ανάφλεξης και είναι περισσότερο επιρρεπές να φουσκώσει, αυξάνοντας τον κίνδυνο φωτιάς και επικίνδυνων καταστάσεων.



- **ΠΡΟΕΙΔΟΠΟΙΗΣΗ!** Το τηγάνισμα τροφών με υγρασία και σε μεγάλη ποσότητα μονομιάς έχει αρνητική επίδραση στο σημείο βρασμού του λαδιού.
- **ΠΡΟΕΙΔΟΠΟΙΗΣΗ!** Μην τηγανίζετε μεγάλη ποσότητα φαγητού μονομιάς, μέγιστο φορτίο είναι περίπου 2 κιλά.
- Να καθαρίζετε πάντα τη συσκευή και τα λοιπά εξαρτήματα μετά από κάθε χρήση (-> Καθαρισμός και συντήρηση)
- Μην χρησιμοποιείτε πίδακες νερού και μην ξεπλένετε άμεσα με νερό ή συσκευές καθαρισμού με ατμό, καθώς τα εξαρτήματα θα βραχούν και μπορεί να προκληθεί ηλεκτροπληξία.
- **ΠΡΟΣΟΧΗ!** Στερεώστε, εάν είναι απαραίτητο, το καλώδιο τροφοδοσίας για να αποφύγετε τυχόν ακούσιο τράβηγμα ή επαφή με την επιφάνεια θέρμανσης.
- Μην πλένετε τη συσκευή με νερό. Το πλύσιμο μπορεί να προκαλέσει διαρροές και να αυξήσει τον κίνδυνο ηλεκτροπληξίας.
- Μην καθαρίζετε ή αποθηκεύετε τη συσκευή εάν δεν έχει κρυώσει πλήρως.
- Κανένα μέρος της συσκευής δεν είναι κατάλληλο για πλυντήριο πιάτων.
- Πριν από την πλήρωση ή τον καθαρισμό της φριτέζας, βγάzteτε πάντα το βύσμα από την πρίζα.
- Η ηλεκτρική εγκατάσταση πρέπει να συμμορφώνεται με τους ισχύοντες εθνικούς και τοπικούς κανονισμούς.
- Η φριτέζα πρέπει να τοποθετηθεί σε ασφαλή θέση στην κουζίνα σας πριν από την χρήση της λόγω του καυτού περιεχομένου κατά τη χρήση.

GR

Προβλεπόμενη χρήση

- Η συσκευή ενδείκνυται για επαγγελματική χρήση και μπορεί να την χειρίζεται μόνο εξειδικευμένο προσωπικό.
- Η συσκευή έχει σχεδιαστεί μόνο για τηγάνισμα τροφίμων όπως τηγανιτές πατάτες κ.λπ. Οποιαδήποτε άλλη χρήση μπορεί να προκαλέσει ζημιά στη συσκευή ή τραυματισμό.
- Η χρήση της συσκευής για οποιονδήποτε άλλο σκοπό θεωρείται εσφαλμένη. Ο χρήστης είναι αποκλειστικά υπεύθυνος για την μη κατάλληλη χρήση της συσκευής.

Εγκατάσταση γείωσης

Η συσκευή αυτή ταξινομείται ως **κατηγορία προστασίας Ι** και πρέπει να συνδέεται με προστατευτικό έδαφος. Η γείωση μειώνει τον κίνδυνο ηλεκτροπληξίας παρέχοντας ένα καλώδιο διαφυγής για το ηλεκτρικό ρεύμα. Αυτή η συσκευή είναι εφοδιασμένη με

καλώδιο τροφοδοσίας που διαθέτει καλώδιο γείωσης και γειωμένο βύσμα. Το βύσμα πρέπει να συνδεθεί σε μια πρίζα που είναι σωστά εγκατεστημένη και γειωμένη.

Προετοιμασίες πριν την αρχική χρήση

- Ελέγξτε τη συσκευή και βεβαιωθείτε ότι δεν έχει υποστεί βλάβη. Σε περίπτωση οποιασδήποτε βλάβης, επικοινωνήστε με τον προμηθευτή σας αμέσως και ΜΗΝ χρησιμοποιήσετε τη συσκευή.
- Αφαιρέστε όλα τα υλικά συσκευασίας και την προστατευτική μεμβράνη (εάν υπάρχει).
- Καθαρίστε τη συσκευή με ζεστό νερό και ένα μαλακό πανί.
- Τοποθετήστε τη συσκευή σε επίπεδη και σταθερή επιφάνεια, εκτός και αν ορίζεται διαφορετικά.
- Βεβαιωθείτε ότι υπάρχει αρκετός κενός χώρος γύρω από τη συσκευή για λόγους αερισμού.
- Τοποθετήστε τη συσκευή με τέτοιο τρόπο ούτως ώστε να υπάρχει πρόσβαση στο φως ανά πάσα στιγμή.
- Φυλάξτε τη συσκευασία εάν σκοπεύετε να αποθηκεύσετε τη συσκευή σας στο μέλλον.



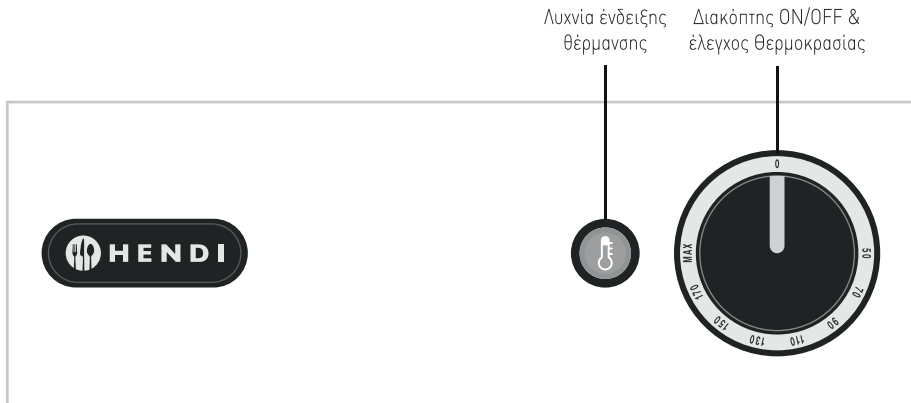
Τοποθέτηση

- Τοποθετήστε τη συσκευή σε μία επίπεδη, σταθερή, καθαρή, στεγνή και ανθεκτική στη θερμότητα επιφάνεια.
- Τοποθετήστε προσεκτικά το πίσω στήριγμα με το θερμικό στοιχείο στο πίσω μέρος του κάδου λαδιού.

Σημείωση:

1. Βεβαιωθείτε ότι ο πείρος στο πίσω στήριγμα έχει τοποθετηθεί σωστά.
2. Η συσκευή πρέπει να τοποθετείται σε ασφαλή θέση στην κουζίνα σας πριν τη χρήση, λόγω της αυξημένης θερμοκρασίας που αναπτύσσεται κατά τη χρήση.

Πίνακας Ελέγχου



GR

Χρήση

- Βγάλτε το φινι από την πρίζα.
- Γεμίστε το δοχείο με λάδι ή υδρογονωμένο λίπος μέχρι τη γραμμή ένδειξης ήμανση Η (Μέγιστο επίπεδο) . Σημείωση! Τα στερεά λίπη πρέπει να προ-θερμαίνονται πριν το γέμισμα, έτσι αποφεύγεται το καμμένο λίπος και η υπερφόρτωση.
- Βάλτε το γειωμένο φινι σε μια πρίζα με γείωση.

- Ρυθμίστε το θερμοστάτη στην επιθυμητή θερμοκρασία. Η πορτοκαλί λυχνία θα ανάψει.
- Όταν η θερμοκρασία φτάσει στην τιμή της ρύθμισης, η πορτοκαλί λυχνία σβήνει.
- Τώρα μπορείτε να χρησιμοποιήσετε τη φριτέζα για βαθύ τηγάνισμα.

Βαθύ τηγάνισμα

Η φριτέζα για βαθύ τηγάνισμα έχει σχεδιαστεί με μια μοναδική κρύα ζώνη, η οποία επιτρέπει στα ψίχουλα και στα υπολείμματα να βυθίζονται στον πυθμένα. Αυτό βοηθάει, επίσης, στην επέκταση της διάρκειας

ζωής τους λίπους/λαδιού, σημαντικά.

Ελέγχετε τακτικά εάν υπάρχει επαρκής ποσότητα λαδιού ή λίπους στο δοχείο. Η στάθμη του δεν πρέπει ποτέ να πέφτει κάτω από τη γραμμή MIN (ελάχιστο).

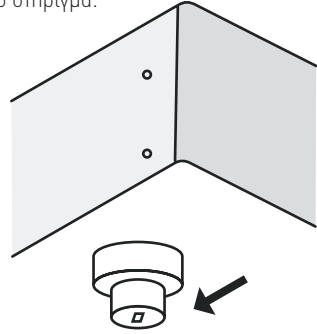


ΕΠΑΝΑΦΟΡΑ της διάταξης περιορισμού (θερμική διακοπή)

Υπενθυμίζεται ότι το κουμπί ΕΠΑΝΑΦΟΡΑ βρίσκεται στη βάση του αποσπώμενου πίνακα ελέγχου, με προστατευτικό κάλυμμα (βλ. σχέδιο)

- Αποσυνδέστε πρώτα τη φριτζέρα από την πρίζα.
- Αφήστε τη φριτζέρα να κρυώσει τελείως.
- Αφαιρέστε τον αποσπώμενο πίνακα ελέγχου από το στήριγμα.
- Ξεβιδώστε το μαύρο προστατευτικό κάλυμμα του κουμπιού ΕΠΑΝΑΦΟΡΑ.
- Πατήστε το κουμπί ΕΠΑΝΑΦΟΡΑ στο διάταξης περιορισμού (θερμική διακοπή). Πρέπει να ακουστεί ένα κλικ.
- Βιδώστε ξανά το προστατευτικό κάλυμμα στο κουμπί ΕΠΑΝΑΦΟΡΑ.

- Επανατοποθετήστε τον αποσπώμενο πίνακα ελέγχου στο στήριγμα.



Συμβουλές για βαθύ τηγάνισμα

- Χρησιμοποιήστε μόνο υγρό λάδι τηγανίσματος ή λίπος (κατά προτίμηση).
- Η συνιστώμενη θερμοκρασία για το τηγάνισμα πατατών και σνακ είναι 175 °C το μέγιστο.
- Θερμαίνετε το λάδι αργά. Κατά προτίμηση σε 3 βήματα, για παράδειγμα, πρώτα στους 100 °C, έπειτα στους 100- 140 °C και μετά από τους 140 °C στους 175 °C με 15λεπτα διαλείμματα ανάμεσα στα βήματα.
- Αφαιρείτε τον πάγο και τα ψίχουλα από τα κατεψυγμένα τρόφιμα.
- Μην κάνετε βαθύ τηγάνισμα σε πολλά πράγματα ταυτόχρονα. Αυτό μπορεί να χαμηλώσει υπερβολικά τη θερμοκρασία του λαδιού ή του λίπους. Το λάδι/λίπος που έχει κρυώσει δεν καίει κατάλληλα

την επιφάνεια της τροφής, συνεπώς θα απορροφηθεί περισσότερο λίπος. Η ιδανική αναλογία των κατεψυγμένων προϊόντων προς το λάδι/λίπος τηγανίσματος είναι 1:10 το μέγιστο.

- Όταν γίνεται εκτεταμένη χρήση, τα ψίχουλα και τα άλλα υπολείμματα θα πρέπει να αφαιρούνται και να φιλτράρονται από το λάδι/λίπος.
- Αντικαθιστάτε το λάδι ή λίπος εγκαίρως. Χρησιμοποιείτε δοκιμαστικές ταινίες τακτικά για να εντοπίσετε πότε πρέπει να αντικατασταθεί το λάδι/λίπος.
- Εάν το λάδι ή λίπος αρχίσει να αφρίζει, να βγάζει καπνό ή να γίνεται υπερβολικά πηκτό, θα πρέπει να αντικατασταθεί. Αντικαθιστάτε, επίσης, το λάδι/λίπος όταν αποκτήσει έντονη μυρωδιά ή γεύση.

Στερεά λίπη

- Αν παρά τις συμβουλές μας χρησιμοποιείτε στέρεο λίπος: τότε θερμαίνετε το λάδι αργά στην χαμηλότερη θέση μέχρι να λιώσει. Μόλις το λίπος λιώσει μπορείτε να ρυθμίσετε την κατάλληλη θερμοκρασία τηγανίσματος.
- Όταν χρησιμοποιείτε στέρεο λίπος, αφήνετε τα μπλοκ λίπους να λιώσουν αργά σε μέτρια θερμοκρασία σε ένα κανονικό τηγάνι. Ρίχνετε προσεκτικά το

λιωμένο λίπος σε μία φριτζέρα για βαθύ τηγάνισμα. Βάζετε το φριζ στην πρίζα και ενεργοποιείτε τη φριτζέρα για βαθύ τηγάνισμα.

- Αφαιρέστε το καλάθι για βαθύ τηγάνισμα μετά τη χρήση του λίπους. Κατά αυτόν τον τρόπο αποφεύγεται να κολλήσει το καλάθι στο στερεοποιημένο λίπος.

Μετά τη χρήση

- Απενεργοποιήστε τη συσκευή, κλείνοντας το διακόπτη και βγάζοντας το φιν από την πρίζα.
- Αφαιρέστε το καλάθι από το λίπος. Με την ενέργεια αυτή, αποφεύγετε να κολλήσει το καλάθι στο στερεοποιημένο λίπος.

- Τοποθετήστε το καπάκι πάνω στη φριτέζα, ούτως ώστε να μην υποστεί παλαιώση το λίπος.

Καθαρισμός και συντήρηση

- Πάντα να αφαιρείτε το φιν από την πρίζα πριν από τον καθαρισμό της συσκευής.
- Προσοχή: Ποτέ μην βυθίζετε τη συσκευή στο νερό ή σε οποιοδήποτε άλλο υγρό!
- Καθαρίστε το εξωτερικό μέρος της συσκευής με ένα υγρό πανί (νερό με ήπιο απορρυπαντικό).
- Ποτέ μην χρησιμοποιείτε ισχυρά καθαριστικά ή διαβρωτικά προϊόντα. Μην χρησιμοποιείτε κοφτερά ή αιχμηρά αντικείμενα. Μην χρησιμοποιείτε βεν-

ζίνη ή διαλυτικά! Καθαρίστε με ένα υγρό πανί και απορρυπαντικό εάν χρειαστεί. Μην χρησιμοποιείτε διαβρωτικά υλικά.

- Μην καθαρίζετε τη συσκευή με ατμοκαθαριστή ή εκτοξευτήρα νερού.
- Συναρμολογήστε τη συσκευή μετά τον καθαρισμό και διασφαλίστε ότι ο πίνακας θέρμανσης και ελέγχου έχει τοποθετηθεί σωστά, διαφορετικά η συσκευή δεν θα λειτουργήσει.

Αντιμετώπιση προβλημάτων

Βλάβη	Σύμπτωμα	Πιθανή αιτία	Πιθανή λύση
Η συσκευή δεν λειτουργεί καθόλου	Η πορτοκαλί λυχνία δεν ανάβει	Δεν υπάρχει τάση δικτύου ρεύματος.	Ελέγξτε την ηλεκτρική εγκατάσταση. Ελαττωματική λυχνία διακόπτη.
		Ενεργοποιημένος διάταξης περιορισμού (θερμική διακοπή).	Επαναφορά του διάταξης περιορισμού (θερμική διακοπή). (βλ. σελίδα 68).
		Ελαττωματικός διάταξης περιορισμού (θερμική διακοπή).	Επικοινωνήστε με τον προμηθευτή σας.
		Ελαττωματικός θερμοστάτης.	Επικοινωνήστε με τον προμηθευτή σας.
Η συσκευή δεν φτάνει τη ρυθμισμένη θερμοκρασία.	Μεγάλη διάρκεια τηγανίσματος.	Ελαττωματικός θερμοστάτης.	Επικοινωνήστε με τον προμηθευτή σας.
		Ελαττωματική αντίσταση.	Επικοινωνήστε με τον προμηθευτή σας.

Εάν μετά από αυτούς τους ελέγχους, συνεχιστεί η δυσλειτουργία, συνιστάται η επικοινωνία με την τεχνική εξυπηρέτηση. Σε περίπτωση οποιασδήποτε αμφιβολίας, πάντα να επικοινωνείτε με τον προμηθευτή σας!



Τεχνικές προδιαγραφές

Αρ. είδους.	205808	205815	205822	205839	205846	205853
Τάση και συχνότητα λειτουργίας	230V- 50Hz					
Ονομαστική ισχύς εισόδου	3000W	3300W	3500W	3500W x 2	3000W x 2	3300W x 2
Κατηγορία προστασίας	Κατηγορία I					
Κλάση προστασίας νερού	IPX3					
Εύρος θερμοκρασίας	50-190°C					
Περιεχόμενο	4L	6L	8L	8L x 2	4L x 2	6L x 2
Διαστάσεις	217x380x (Y)300mm	265x430x (Y)290mm	265x430x (Y)345mm	550x430x (Y)345mm	470x420x (Y)330mm	550x430x (Y)290mm
Καθαρό βάρος (περίπου)	5kg	5,4kg	6kg	11kg	8.5kg	9,5kg

Αρ. είδους.	975404	975428
Τάση και συχνότητα λειτουργίας	230V~ 50Hz	
Ονομαστική ισχύς εισόδου	2200W	3500W
Κατηγορία προστασίας	Κατηγορία I	
Κλάση προστασίας νερού	IPX3	
Εύρος θερμοκρασίας	50-190°C	
Περιεχόμενο	4L	8L
Διαστάσεις	217x380x (Y)300mm	265x430x (Y)345mm
Καθαρό βάρος (περίπου)	5kg	6kg

Σημείωση: Οι τεχνικές προδιαγραφές μπορούν να τροποποιηθούν χωρίς προηγούμενη ειδοποίηση.

Εγγύηση

Οποιοδήποτε ελάττωμα επηρεάζει τη λειτουργικότητα της συσκευής που γίνεται προφανές δύο χρόνια μετά την αγορά της, θα διορθώνεται με δωρεάν επισκευή ή αντικατάσταση, αρκεί η συσκευή να έχει χρησιμοποιηθεί και συντηρηθεί σύμφωνα με τις οδηγίες και να μην έχει γίνει κατάχρηση ή λανθασμένη χρήση της με οποιοδήποτε τρόπο. Δε θίγονται τα νόμιμα δικαιώματά σας. Εάν η συσκευή υποστηρίζεται

από εγγύηση, δηλώστε πού και πότε έχει αγοραστεί και συμπεριλάβετε την απόδειξη αγοράς (π.χ. απόδειξη λιανικής πώλησης).

Σύμφωνα με την πολιτική μας για τη συνεχή εξέλιξη των προϊόντων μας, διατηρούμε το δικαίωμα να αλλάξουμε το προϊόν, τη συσκευασία και τις προδιαγραφές τεκμηριωσής του χωρίς προειδοποίηση.

Απόρριψη & Περιβάλλον

Η συσκευή, μετά το πέρας της διάρκειας ζωής της, δεν πρέπει να απορρίπτεται ως οικιακό απόρριμμα. Πρέπει να απορρίπτεται, με δική σας ευθύνη, σε καθορισμένο σημείο συλλογής. Η μη τήρηση αυτού ενδέχεται να τιμωρείται σύμφωνα με τους ισχύοντες κανονισμούς για τη διάθεση των απορριμμάτων. Η χωριστή συλλογή και ανακύκλωση αυτής της συσκευής κατά τη στιγμή της απόρριψης βοηθά στη διατήρηση των φυσικών πόρων και εξασφαλίζει την ανακύκλωσή της με τρόπο που προστατεύει την ανθρώπινη υγεία και το περιβάλλον.

Για περισσότερες πληροφορίες σχετικά με το πού μπορείτε να απορρίψετε τη συσκευή για ανακύκλωση, επικοινωνήστε με την τοπική εταιρεία συλλογής απορριμμάτων. Οι κατασκευαστές και οι εισαγωγείς δεν αναλαμβάνουν την ευθύνη ανακύκλωσης, επεξεργασίας και οικολογικής διάθεσης, είτε άμεσα είτε μέσω δημόσιου συστήματος.

ΣΕΡΒΙΣ ΕΛΛΑΔΟΣ:

Τηλ.: 213 0 998989 (10 γραμμές)

info@pks-hendi.com


GR



Vážený zákazníku,

Děkujeme, že jste si koupili tento spotřebič Hendi. Přečtěte si pozorně tuto příručku a věnujte zvláštní pozornost níže uvedeným bezpečnostním předpisům před instalací a používáním tohoto spotřebiče poprvé.

Bezpečnostní předpisy

- Tento spotřebič je určen pouze pro komerční použití.
- Spotřebič používejte pouze k zamýšlenému účelu, pro který byl navržen, jak je popsáno v této příručce.
- Výrobce nenese odpovědnost za škody způsobené nesprávným provozem a nesprávným používáním.
- Udržujte spotřebič a elektrickou zástrčku mimo vodu a jiné kapaliny. V případě, že spotřebič spadne do vody, okamžitě vyjměte zástrčku ze zásuvky. Nepoužívejte spotřebič, dokud nebyl zkontrolován certifikovaným technikem. Nedodržení těchto pokynů způsobí život ohrožující rizika.
- Nikdy se nepokoušejte otevřít kryt spotřebiče sami.
- Nevkládejte předměty do pouzdra spotřebiče.
- Nedotýkejte se zástrčky mokkými nebo vlhkými rukama.
-  **NEBEZPEČÍ ELEKTRICKÝM PROUDEM!** Nepokoušejte se opravit spotřebič sami, opravy provádějí pouze kvalifikovaní pracovníci.
- **Nikdy nepoužívejte poškozený spotřebič!** Když je poškozen, odpojte spotřebič od zásuvky a obraťte se na prodejce.
- **VAROVÁNÍ!** Neponořte elektrické části spotřebiče do vody nebo jiných kapalin.
- Nikdy nadržte spotřebič pod tekoucí vodou.
- Pravidelně kontrolujte napájecí zástrčku a kabel pro případné poškození. Pokud je poškozen, musí být nahrazen servisním zástupcem nebo podobně kvalifikovanou osobou, aby se zabránilo nebezpečí nebo zranění.
- Ujistěte se, že kabel nepřichází do kontaktu s ostrými nebo horkými předměty a udržujte jej mimo otevřený oheň. Nikdy nevytahujte napájecí kabel, abyste jej odpojili od zásuvky, vždy vytáhněte zástrčku.
- Ujistěte se, že napájecí kabel nebo prodlužovací kabel nezpůsobují nebezpečí výletu.
- Spotřebič během používání nenechávejte bez dozoru.
- **VAROVÁNÍ!** Dokud je zástrčka v zásuvce, je spotřebič připojen ke zdroji napájení.
- Vypněte spotřebič před odpojením ze zásuvky.
- Napájecí zástrčku připojte ke snadno přístupné elektrické zásuvce, takže v případě nouze lze spotřebič okamžitě odpojit.
- Nikdy nenoste spotřebič za šňůru.
- Nepoužívejte žádná další zařízení, která nejsou dodávána společně se spotřebičem.
- Připojte spotřebič pouze k elektrické zásuvce s napětím a frekvencí uvedenými na štítku spotřebiče.
- Nikdy nepoužívejte jiné příslušenství než příslušenství doporučené výrobcem. Pokud tak neučiníte, mohlo by představovat bezpečnostní riziko pro uživatele a mohlo by dojít k


CZ



poškození spotřebiče. Používejte pouze originální díly a příslušenství.

- Tento spotřebič by neměl být provozován osobami se sníženými fyzickými, smyslovými nebo duševními schopnostmi ani osobami, které nemají zkušenosti a znalosti.
- Tento spotřebič by za žádných okolností neměly používat děti.
- Spotřebič a napájecí kabel uchovávejte mimo dosah dětí.
- **VAROVÁNÍ:** VŽDY vypněte spotřebič a odpojte od elektrické zásuvky před čištěním, údržbou nebo skladováním.

Zvláštní bezpečnostní předpisy

-  **UPOZORNĚNÍ! HORKÝ POVRCH!** Během provozu je dostupný povrch spotřebiče velmi horký. Dotýkejte se pouze ikon na ovládacím panelu.
- Má-li být tento spotřebič umístěn v těsné blízkosti stěny, přiček, kuchyňského nábytku, dekorativních ploch atd., doporučuje se, aby tyto byly vyrobeny z nehořlavého materiálu; pokud nejsou, musí být obloženy vhodným nehořlavým tepelně izolačním materiálem, a předpisům požární ochrany musí být věnována maximální pozornost.
- Spotřebič nepokládejte na topné těleso (naftový, elektrický nebo sporák dřevěné uhlí atd.). Spotřebič udržujte v dostatečné vzdálenosti od horkých ploch a otevřeného ohně. Se spotřebičem vždy pracujte na rovném, stabilním, čistém, horku odolném a suchém povrchu.
- Spotřebič nepoužívejte v blízkosti výbušných nebo hořlavých materiálů, kreditních karet, magnetických disků nebo rádií.
- Tento spotřebič není určen pro provoz prostřednictvím externího časovače nebo samostatného systému dálkového ovládání.
- **VAROVÁNÍ:** Je-li hladina oleje pod značkou „L“ (Min), nebo pokud v nádrži na olej žádný olej není, existuje nebezpečí požáru.
- **VAROVÁNÍ:** Nesmažte příliš mokré potraviny nebo příliš mnoho jídla najednou, zabráníte tak nadměrnému pění a vytečení oleje. Maximální dávka na jedno smažení je přibližně 1kg.
- Kolem spotřebiče ponechejte alespoň 20cm odstup pro ventilaci během používání.
- Používejte jen olej nebo tuk, vhodný pro smažení. Olej nebo tuk pravidelně vyměňujte. Přepálený nebo znečištěný olej nebo tuk se mohou při přehřátí vznítit.“
- Při smažení nepoužívejte plastové přístroje.
- **PŘI POUŽITÍ STARÉHO OLEJE HROZÍ NEBEZPEČÍ!** Spotřebič bude vykazovat nižší bod vznícení a bude náchylnější k nepředvídanému prudkému varu.
- **VAROVÁNÍ!** Vlhké jídlo nebo příliš velké množství jídla uvnitř spotřebiče má vliv na bod varu oleje.
- **VAROVÁNÍ!** Z bezpečnostních důvodů nekládejte do spotřebiče příliš velké porce potravin ke smažení (max. 2 kg).
- Po každém použití přístroj a ostatní příslušenství vždy vyčistěte (--> Čištění a údržba).
- Při čištění nepoužívejte proud vody, myjte přímo vodou nebo parním čističem, protože by součásti mohly zvlhnout, a způsobit úraz elektrickým proudem.
- **UPOZORNĚNÍ!** Je-li to nutné, vedte síťovou šňůru bezpečně tak, aby nemohlo dojít k nechtěnému vytáhnutí nebo kontaktu s topnou plochou.



- Spotřebič neumývejte vodou. Při mytí může dojít k únikům, a zvyšuje se riziko úrazu elektrickým proudem.
- Spotřebič nečistěte ani jej neukládejte, dokud zcela nevychladl.
- Žádnou část není bezpečné mýt v myčce.
- Před doplněním nebo čištěním je vždy nutné vytáhnout zástrčku ze zásuvky.
- Elektrické zařízení musí odpovídat národním a regionálním předpisům.
- Zásobník fritézy i topné těleso umístěte v kuchyni na místo, kde horký olej nebude představovat žádné nebezpečí.

Zamýšlené použití

- Zařízení je určeno pro profesionální použití a může ho provozovat pouze kvalifikovaný personál.
- Spotřebič je navržený pouze ke smažení vhodných potravin jako jsou hranolky atd. Jiné použití může vést k poškození spotřebiče, nebo zranění personálu.
- Použití spotřebiče k jinému účelu je považováno za zneužití zařízení. Uživatel je výhradně zodpovědný za řádné použití zařízení.

Uzemňovací instalace

Tento spotřebič je klasifikován jako **třída ochrany I** a musí být připojen k ochrannému prostředku. Uzemnění snižuje riziko úrazu elektrickým proudem tím, že poskytuje únikový vodič pro elektrický

proud. Tento spotřebič je vybaven napájecím kabelem, který má uzemňovací vodič a uzemňovací zástrčku. Zástrčka musí být zapojena do zásuvky, která je správně instalována a uzemněna.

CZ

Příprava uvedení do provozu

- Zkontrolujte spotřebič ohledně poškození. V případě poškození se okamžitě spojte s dodavatelem a spotřebič NEPOUŽÍVEJTE.
- Odstraňte celý obal i případnou ochrannou fólii.
- Spotřebič očistěte vlažnou vodou a měkkým hadříkem
- Spotřebič postavte vodorovně, pokud není uvedeno jinak.
- Kolem spotřebiče by mělo být dostatek volného prostoru.
- Postavte spotřebič tak, aby bylo vždy možné vytáhnout zástrčku.
- Budete-li v budoucnu spotřebič skladovat, doporučuje se uschovat si jeho obal.

Instalace

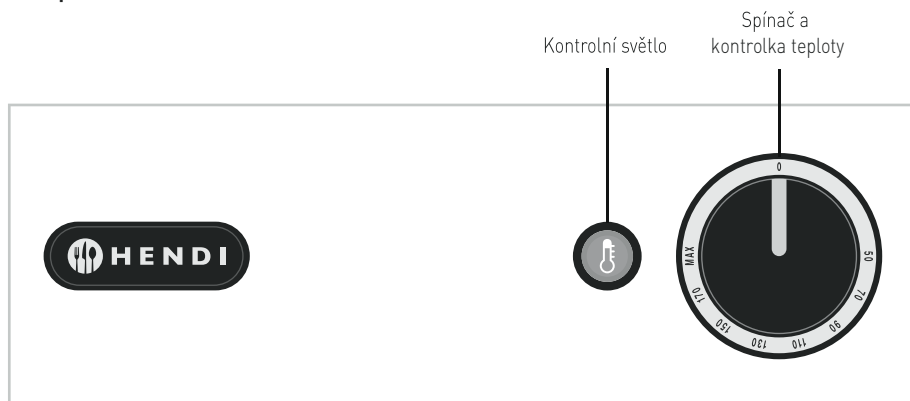
- Spotřebič umístěte na rovný, stabilní, čistý, horku odolný a suchý povrch.
- Na zadní hranu nádoby na olej pečlivě nainstalujte zadní podporu topného tělesa.

Poznámka:

1. Dbejte na to, aby kolík zadní podpory byl ve správné poloze a správně namontován.
2. Kvůli velkému žáru při používání musí být spotřebič před použitím ve vaší kuchyni umístěn v bezpečné pozici.



Ovládací pole



Použití

- Vytáhněte zástrčku ze zásuvky.
- Naplňte nádobu olejem nebo tukem po značku H (maximální úroveň). POZOR: Netekuté druhy tuku je nutné před naplněním rozehrát, aby se zabránilo pálení tuku a přepětí.
- Zasuňte zástrčku s ochranným kontaktem do uzemněné zásuvky.

- Na termostatu nastavte požadovanou teplotu. Rozsvítí se oranžové světlo.
- Po dosažení nastavené teploty oranžové světlo zhasne.
- Nyní můžete fritovat.

Fritování

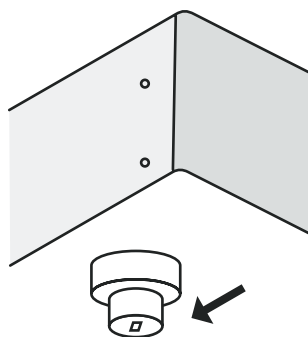
Fritéza je vybavená jedinečnou chladnou zónou, kterou klesají drobký a opečené zbytky ke dnu a tuk tak vydrží výrazně déle.

Pravidelně kontrolujte, zda se v nádobě nachází dostatek tuku. Stav naplnění nesmí nikdy klesnout pod značku MIN.

RESET teplotního omezovače (tepelné pojistky)

Upozorňujeme, že tlačítko RESET se nachází na spodní části snímatelného kontrolního panelu a je opatřen krytkou (viz náskres)

- Nejprve odpojte fritézu od elektrické sítě.
- Počkejte, dokud fritéza zcela nevychladne.
- Sundejte snímatelný kontrolní panel.
- Odšroubujte černou krytku resetovacího tlačítka.
- Stiskněte tlačítko RESET teplotního omezovače (tepelné pojistky). Měli byste slyšet cvaknutí.
- Našroubujte krytku resetovacího tlačítka zpátky.
- Snímatelný kontrolní panel připevněte zpět na místo.



Tipy k fritování

- Přednostně použijte pouze tekutý fritovací olej/tuk.
- Doporučená fritovací teplota je max. 175° C.
- Olej ohřívejte pomalu ve třech stupních, například nejprve na 100° C, na 140° C a na 175° C, vždy s 15 minutovým přerušením.
- Z mražených potravin k fritování odstraňte led a drobký.
- Nefritujte příliš velké množství najednou, to může způsobit ochlazení tuku resp. oleje. Příliš studený olej/tuk může být nasát potravinami, ideální poměr je max. 1:10.
- Po použití odfiltrujte drobký a další zbytký z oleje/tuku.
- Olej/tuk pravidelně měňte. Používejte testovací proužky či podobné prostředky k pravidelné kontrole.
- Pokud olej/tuk začne pění, kouřit, nebo smrdět, vyměňte jej.

Pevný tuk

- Pokud i navzdory naší radě používáte pevný tuk, zahřívejte jej pomalu při nejnižší teplotě, dokud se neroztopí. Jakmile se tuk roztopí, můžete nastavit správnou teplotu smažení.
- Při použití pevného tuku nechte bloky tuku poma-

- lu roztopit při mírné teplotě v běžné pánvi nebo hrnci. Roztopený tuk opatrně přelijte do fritézy. Zapojte síťovou zástrčku a fritézu zapněte.
- Po použití vyjměte fritovací koš z tuku. Tak zabráníte tomu, aby koš ve ztuhlém tuku uvízl.

Po použití

- Spotřebič vypněte tím, že vypnete spínač a vytáhnete zástrčku ze zásuvky.
- Odstraňte koš z tuku. Zabráníte tím tomu, aby zůstal uvězněný ve sraženém tuku.
- Fritézu přiklopte víkem, aby zůstal tuk čerstvý.

Čištění a údržba

- Před každým čištěním vždy vytáhněte zástrčku ze zásuvky.
- Pozor: nikdy neponořujte spotřebič do vody ani do jiné tekutiny!
- Plášť očistěte vlhkým hadříkem (voda s jemným čisticím prostředkem).
- Nepoužívejte žádné agresivní čisticí ani drhacím prostředky. Nepoužívejte ostré ani špičaté předměty. Nepoužívejte benzín ani rozpouštědla!
- Spotřebič čistěte vlhkým hadříkem a případně prostředkem na nádobí. Nepoužívejte žádné drhacím materiály.
- Nečistěte přístroj pomocí parního čističe či vodní trysky.
- Po čištění přístroj sestavte a ujistěte se, že je správně upevněn ohřívací a ovládací panel – v opačném případě by přístroj nefungoval.

Řešení problémů

Porucha	Fenomény	Příčina	příp. řešení
Spotřebič nefunguje.	Oranžové světlo nesvítí, i když má olej pokojovou teplotu	Žádné síťové napětí.	Zkontrolujte elektrické zařízení. Defektní spínač
		Aktivovalo se teplotního omezovače (tepelné pojistky).	Teplotního omezovače (tepelné pojistky) resetujte (viz strana 75)
		Defektní teplotního omezovače (tepelné pojistky).	Kontaktujte svého dodavatele.
		Defektní termostat.	Kontaktujte svého dodavatele.
Spotřebič nedosáhne nastavené teploty.	Dlouhá doba fritování.	Defektní termostat.	Kontaktujte svého dodavatele.
		Defektní prvek.	Kontaktujte svého dodavatele.

Pokud bude spotřebič přes všechny kontroly vykazovat poruchy, obraťte se prosím na zákaznickou službu. V případě nejistoty kontaktujte svého dodavatele!

Technické údaje

Číslo položky	205808	205815	205822	205839	205846	205853
Provozní napětí a frekvence	230V~ 50Hz					
Příkon	3000W	3300W	3500W	3500W x 2	3000W x 2	3300W x 2
Třída ochrany	Třída I					
Třída ochrany proti vodě	IPX3					
Teplotní rozsah	50-190°C					
Obsah	4L	6L	8L	8L x 2	4L x 2	6L x 2
Vnější rozměry	217x380x (H)300mm	265x430x (H)290mm	265x430x (H)345mm	550x430x (H)345mm	470x420x (H)330mm	550x430x (H)290mm
Čistá hmotnost (přibližně)	5kg	5,4kg	6kg	11kg	8,5kg	9,5kg

CZ

Číslo položky	975404	975428
Provozní napětí a frekvence	230V~ 50Hz	
Příkon	2200W	3500W
Třída ochrany	Třída I	
Třída ochrany proti vodě	IPX3	
Teplotní rozsah	50-190°C	
Obsah	4L	8L
Vnější rozměry	217x380x (H)300mm	265x430x (H)345mm
Čistá hmotnost (přibližně)	5kg	6kg

Poznámky: Technické specifikace podléhají změnám bez předchozího upozornění.



Záruka

Jakákoli závada ovlivňující funkčnost spotřebiče, která se projeví do jednoho roku po zakoupení, bude opravena bezplatnou opravou nebo výměnou za předpokladu, že spotřebič byl použit a udržován v souladu s pokyny a nebyl žádným způsobem zneužíván nebo zneužit. Vaše zákonná práva nejsou dotčena. Pokud je spotřebič nárokován v záruce,

uveďte, kde a kdy byl zakoupen, a přiložte doklad o koupi (např. potvrzení).

V souladu s naší politikou neustálého vývoje produktů si vyhrazujeme právo bez předchozího upozornění měnit specifikace produktu, balení a dokumentace.

Vyřazení a životní prostředí

Při vyřazování spotřebiče z provozu nesmí být výrobek likvidován s jiným domovním odpadem. Místo toho je vaší odpovědností nakládat s odpadním zařízením tak, že je předáte určenému sběrnému místu. Nedodržení tohoto pravidla může být potrestáno v souladu s platnými předpisy o nakládání s odpady. Samostatný sběr a recyklace vašeho odpadního zařízení v době likvidace pomůže šetřit přírodní zdroje a zajistit jejich recyklaci způsobem,

kteří chrání lidské zdraví a životní prostředí.

Pro více informací o tom, kde můžete odložit svůj odpad k recyklaci, kontaktujte místní společnost pro sběr odpadu. Výrobci a dovozci nepřebírají odpovědnost za recyklaci, zpracování a ekologickou likvidaci, a to buď přímo, nebo prostřednictvím veřejného systému.

Tisztelt Ügyfél!

Köszönjük, hogy megvásárolta ezt a Hendi készüléket. Olvassa el figyelmesen ezt a kézikönyvet, különös figyelmet fordítva az alábbi biztonsági előírásokra, mielőtt először telepítené és használná ezt a készüléket.

Biztonsági előírások


- Ezt az eszközt csak kereskedelmi célra használhatja.
- A készüléket csak arra a célra használja, amelyre a jelen kézikönyvben leírtak szerint tervezték.
- A gyártó nem vállal felelősséget a helytelen működés és a helytelen használat által okozott károkért.
- Tartsa távol a készüléket és az elektromos csatlakozót a víztől és más folyadékoktól. Abban az esetben, ha a készülék vízbe esik, azonnal távolítsa el a tápcsatlakozót az aljzathoz. Ne használja a készüléket, amíg azt tanúsított technikus nem ellenőrizte. Az utasítások betartásának elmulasztása életveszélyes kockázatokat okoz.
- Soha ne próbálja meg kinyitni a készülék házát.
- Ne helyezzen tárgyakat a készülék házába.
- Ne érintse meg a dugót nedves vagy nedves kézzel.
- ⚡ **ÁRAMÜTÉS VESZÉLYE!** Ne próbálja meg önállóan megjavítani a készüléket, a javításokat csak szakképzett személyzet végezheti.
- **Soha ne használjon sérült készüléket!** Ha sérült, húzza ki a készüléket az aljzathoz, és lépjen kapcsolatba a kiskereskedővel.
- **FIGYELMEZTETÉS!** Ne merítse a készülék elektromos részeit vízbe vagy más folyadékba.
- Soha ne tartsa a készüléket folyó víz alatt.
- Rendszeresen ellenőrizze a hálózati csatlakozót és a kábelt, hogy nincs-e sérülés. Sérülés esetén azt szervizügynöknek vagy hasonló képesítéssel rendelkező személynek kell helyettesítenie a veszély vagy sérülés elkerülése érdekében.
- Győződjön meg róla, hogy a kábel nem érintkezik éles vagy forró tárgyakkal, és tartsa távol a nyílt tűztől. Soha ne húzza ki a tápkábelt a csatlakozóaljzathoz, hanem mindig húzza ki a dugót.
- Győződjön meg arról, hogy a tápkábel és/vagy a hosszabbító kábel nem okoz kioldási veszélyt.
- Használat közben ne hagyja felügyelet nélkül a készüléket.
- **FIGYELMEZTETÉS!** Mindaddig, amíg a dugó az aljzathoz van csatlakoztatva, a készülék az áramforráshoz csatlakozik.
- Kapcsolja ki a készüléket, mielőtt kihúzza az aljzathoz.
- Csatlakoztassa a tápcsatlakozót egy könnyen hozzáférhető elektromos aljzathoz, hogy vészhelyzet esetén a készülék azonnal kihúzható legyen.
- Soha ne hordja a készüléket a kábellel.
- Ne használjon olyan kiegészítő eszközöket, amelyeket nem a készülékkel együtt szállítanak.
- A készüléket csak a készülék címkéjén feltüntetett feszültséggel és frekvenciával kell csatlakoztatni a konnektorhoz.

HU



- Soha ne használjon a gyártó által ajánlottakon kívül egyéb tartozékokat. Ennek elmulasztása biztonsági kockázatot jelenthet a felhasználó számára, és károsíthatja a készüléket. Csak eredeti alkatrészeket és tartozékokat használjon.
- Ezt a készüléket nem szabad korlátozott fizikai, érzékszervi vagy szellemi képességekkel rendelkező személyek, illetve tapasztalat és tudás hiányában működtetni.
- Ezt a készüléket semmilyen körülmények között nem szabad gyermekek használni.
- Tartsa a készüléket és a tápkábelt gyermekektől elzárva.
- **FIGYELEM:** A tisztítás, karbantartás vagy tárolás előtt mindig kapcsolja ki a készüléket, és húzza ki a konnektorból.

Különleges biztonsági előírások

-  **FIGYELEM! FORRÓ FELÜLET!** A hozzáférhető felület hőmérséklete használat közben nagyon forró. Csak a vezérlőpulton lévő ikonokat érintse meg.
- A készüléket fal, válaszfalak, konyhabútor, dekorlemez, stb. közvetlen közelében csak akkor javasoljuk elhelyezni, amennyiben ezek nem gyúlékony anyagból készültek; ha nem így van, nem éghető hőszigetelő anyaggal kell burkolni és a tűzvédelmi előírásokra a legnagyobb figyelmet kell fordítani.
- Ne helyezze a készüléket hőt kibocsátó tárgyra (benzinnel, elektromos árammal működő, faszén tüzelésű grill stb.). Tartsa távol a készüléket a forró felületektől és a nyílt lángtól. A készüléket mindig vízszintes, stabil, tiszta, hőálló és száraz felületen üzemeltesse.
- Ne használja a készüléket robbanásveszélyes vagy gyúlékony anyagok, hitelkártyák, mágneslemezek vagy rádiók közelében.
- A készüléket nem szabad külső időzítővel vagy külön távezérlő rendszerrel működtetni.
- **FIGYELMEZTETÉS:** Tűzveszély áll fenn, ha az olajsint az "L" (Min) jelölés alatt van, vagy az olajtartályban nincs olaj.
- **FIGYELMEZTETÉS:** Azért, hogy minden alkalommal elkerülje az olaj túlzott habzását és az olaj kiömlését, ne süssön túl nagy nedvességtartalmú, illetve túl nagy mennyiségű ételt. A maximális töltőtömeg 1 kg.
- Használat közben legalább 20 cm-es távolságot kell hagyni a készülék körül a szellőzés érdekében.
- Csak megfelelő olajat vagy zsírt használjon a sütéshez. Rendszeres időközönként cserélje ki az olajat vagy zsírt. A túl sokszor használt vagy szennyezett olaj, illetve zsír meggyulladhat, ha túlmelegszik."
- Ne használjon műanyag evőeszközöket működés közben.
- **FÁRADT OLAJ HASZNÁLATÁVAL ÖSSZEFÜGGŐ VESZÉLY!** Alacsonyabb lesz a lobbanáspontja, és könnyebben kezd el hirtelen forni.
- **FIGYELMEZTETÉS!** Túl nagy víztartalmú vagy túl nagy mennyiségű élelmiszer esetén az olaj hamarabb kezd forni.
- **FIGYELMEZTETÉS!** Biztonsági okokból, amikor süt, soha ne tegye be túl nagy adag ételt (a maximálisan betehető mennyiség kb. 2 kg).
- Minden egyes használat után tisztítsa meg az eszközt és a tartozékait (-->Tisztítás és karbantartás).

- Ne használjon vízsugarat, ne öblítse le közvetlenül vízzel és ne alkalmazzon gőztisztítót, mert az alkatrészek átnedvesedhetnek, és ez áramütést eredményezhet.
- **FIGYELEM!** Szükség esetén biztonságosan vezesse el a hálózati kábelt, hogy megakadályozza a véletlen megrántását vagy a fűtőfelülettel történő érintkezését.
- Ne mossa le a készüléket vízzel. A mosás szivárgást okozhat, és növelheti az áramütés kockázatát.
- Csak akkor tisztítsa meg, vagy tárolja el a készüléket, ha az teljesen lehűlt.
- Az alkatrészek egyike sem mosható mosogatógépben.
- Utántöltés vagy tisztítás előtt mindig húzzák ki a csatlakozót a konnektorból.
- A villamos berendezésnek meg kell felelnie az országos és regionális előírásoknak.
- Tekintettel az edény tartalmának magas hőmérsékletére a berendezés működésekor, használat előtt győződjön meg róla, hogy a fritőz biztonságos helyen lett felállítva a konyhában.

Tervezett felhasználás

- A készülék professzionális felhasználásra készült, és kizárólag szakképzett személyzet kezelheti.
- A készüléket kizárólag megfelelő élelmiszerek, például hasábburgonya stb. sütésére tervezték. Minden egyéb felhasználás károsíthatja a készüléket vagy személyi sérülést okozhat.
- A készülék bármilyen más célra történő használata helytelen használatnak minősül. A készülék helytelen használataért kizárólag a felhasználó felel.

Földelő telepítés

Ez a készülék **I. védelmi osztályba** tartozik, és védőtalanhoz kell csatlakoztatni. A földelés csökkenti az áramütés kockázatát azáltal, hogy egy menekülési vezeték biztosít az elektromos áramhoz. Ez

a készülék tápkábellel van ellátva, amely földelt vezeték és földelt dugót tartalmaz. A dugót egy megfelelően felszerelt és földelt aljzatba kell dugni.

Előkészítés a beüzemeléshez

- Ellenőrizze a készüléket károsodásokra vonatkozóan. Károk észlelése esetén azonnal lépjen kapcsolatba a beszállítóval és NE használja a készüléket.
- Távolítsa el a teljes csomagolást és az esetlegesen meglévő védőfóliát is.
- A készüléket langyos vízzel és lágy törölkendővel tisztítsák.
- A készüléket vízszintesen állítsák fel, amennyiben nincs ettől eltérő felhívás.
- A készülék körül megfelelő szabad térnek kell rendelkezésre állnia.
- A készüléket úgy állítsák fel, hogy a csatlakozó mindig kihúzható legyen.
- Tartsa meg a csomagolást a készülék jövőbeni tárolása céljából.

Üzembe helyezés

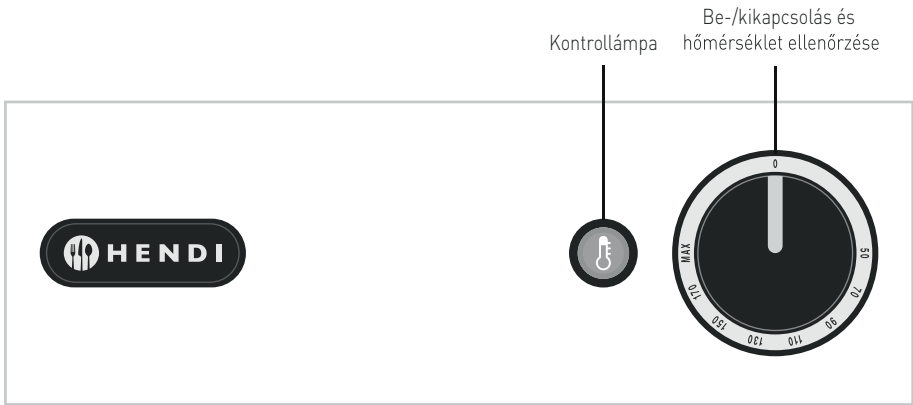
- Helyezze el a készüléket a gumilábára vízszintesen, stabil, tiszta, hőálló és száraz felületen.
- Óvatosan szerelje fel a háttámlát a fűtőelemmel az olajtartály hátsó szélére.

Megjegyzés:

1. Győződjön meg arról, hogy háttámlán a tartály a megfelelő helyzetben van és megfelelően van felszerelve.
2. Használat előtt a készüléket biztonságos helyen kell elhelyezni a konyhában, a használat közben a felforrósodásból eredő veszély miatt.



Kezelőmező



Használat

- Húzza ki a csatlakozót a konnektorból.
- Töltse fel a tartályt a H-jelölést (maximális szint) olajjal vagy zsírral. FIGYELEM: A nem folyékony zsírfajtákat a betöltés előtt hevítsék fel, elkerülendő a zsír elégését és a készülék túlterhelését.
- Csatlakoztassa a védőérintkezős csatlakozót egy földelt konnektorbóba.
- Állítsa be a termosztátot a kívánt hőmérsékletre. A narancs színű lámpa világítani kezd.
- Ha a beállított hőmérséklet elérésre kerül, a narancs színű lámpa kialszik.
- Megkezdheti az olajsütést.

HU

Olajsütés

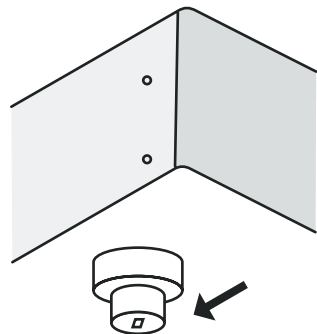
Az olajsütő egyedülálló hűtőterülettel rendelkezik, mellyel a sütés maradácai és a morzsák a sütő fenekére süllyednek és a zsír sokkal tovább eltartható.

Rendszeresen ellenőrizték, hogy elegendő olaj vagy zsír van-e a tartályban. A szint soha ne kerüljön a MIN szint alá.

A Hi-limiter (hőkioldó) VISSZAÁLLÍTÁSA

Nem szabad elfelejteni, hogy a RESET gomb a levehető vezérlő panel alsó részében található, és dugóval van biztosítva (lásd az ábrát).

- Előbb áramtalanítsa a berendezést, kihúzva a dugaszt a dugaszolóaljzatból.
- Hagyja a berendezést teljesen kihűlni.
- Csatlakoztassa le a levehető vezérlő panelt a talpról.
- Csavarja ki a RESET gombot védő, fekete anyát.
- Nyomja meg a Hi-limiter (hőkioldó) RESET gombot. Kattanást hall.
- Csavarja be újra a RESET gombot védő, fekete anyát.
- Szerelje vissza a levehető, vezérlő panelt a talpra.



Típek olajsütéshez

- Lehetőleg csak folyékony sütőolajat/zsírt használjanak.
- A javasolt olajsütési hőmérséklet max. 175°C.
- Az olajat lassan hevítse fel, három fokozatban. Például először 100°C fokra, majd 140°C fokra és azután 175°C fokra. A szakaszok között tartson 15 perces szünetet.
- Távolítsa el a jeget és a morzsákat a fagyott, sütni kívánt ételről.
- Ne süssön túl nagy adagot egyszerre. Ez az olaj, ill. a zsír lehűléséhez vezethet. Az ételek felszívhatják a túl hideg olajat/zsírt. Az ideális arány max. 1:10.
- A használat után szűrje le a morzsákat és más ételmaradékokat az olajból/zsírból.
- Rendszeresen cserélje az olajat/zsírt. Használjon tesztcsíkokat vagy hasonló eszközöket a rendszeres ellenőrzéshez.
- Ha az olaj/zsír habozni, füstölni kezd, vagy kellemetlen szagot képez, cserélje azt.

Szilárd zsír

- Ha szilárd zsírt használ, amit egyébként nem javasolunk: melegítse olvadásiig az olajat lassan, a legalacsonyabb fokozaton. Amikor a zsír megolvadt, beállíthatja a megfelelő sütési hőmérsékletet.
- Ha szilárd zsírt használ, a zsírtömböket lassan olvassza fel mérsékelt lángon egy normál serpenyőben. Óvatosan öntsük a felolvasztott zsírt az olajsütőbe. Csatlakoztassa a hálózati csatlakozót, és kapcsolja be az olajsütőt.
- Használat után vegye ki a sütőkosarat a zsírból. Ez megakadályozza, hogy a kosár beleragadjon a megszilárdult zsírba.

Használat után

- Kapcsolja ki a készüléket a kapcsolóval és húzza ki a csatlakozót a konnektorból.
- Távolítsa el a kosarat a zsírból. Ezzel elkerülhető, hogy az elhasznált zsír a kosárra ragadjon.
- Helyezze a fedelet az olajsütőre, hogy a zsír friss maradjon.

Tisztítás és karbantartás

- Minden tisztítás előtt húzzák ki a csatlakozót.
- Figyelem: Soha ne merítse a készüléket vízbe vagy más folyadékokba!
- A foglalatot egy nedves törölkendővel (víz, kímélő tisztítószerral) tisztítsák.
- Ne használjanak agresszív tisztító- vagy súrolószereket. Ne használjanak éles és hegyes tárgyakat. Ne használjanak benzint és oldószereket! A készüléket nedves törölkendővel és esetleg mosogatószerrel tisztítsák. Ne használjanak súrolószereket.
- Az eszköz nem tisztítható gőztisztítóval vagy nagynyomású vízzel.
- Tisztítás után szerelje össze az eszközt, és győződjön meg róla, hogy a fűtő és vezérlő panel megfelelően lett felszerelve, különben az eszköz nem fog működni.



Hibakeresés és -elhárítás

Zavar	Jelenség	Ok	Esetleges megoldás
A készülék nem működik.	A narancs színű lámpa nem világít, és az olaj szobahőmérsékletű.	Nincs hálózati feszültség.	Ellenőrizték a villamos berendezést.
		A Hi-limiter (hőkioldó) aktiválódott.	Állítsák vissza a Hi-limiter (hőkioldó), (lásd página 82)
		A Hi-limiter (hőkioldó) meghibásodott.	Lépjén kapcsolatba a szállítóval.
		Meghibásodott a termosztát.	Lépjén kapcsolatba a szállítóval.
A készülék nem éri el a beállított hőmérsékletet.	Hosszú az olajsűtési időtartama.	Meghibásodott a termosztát.	Lépjén kapcsolatba a szállítóval.
		Meghibásodott az elem.	Lépjén kapcsolatba a szállítóval.

Ha a készüléken a vizsgálatok ellenére zavarok lépnek fel, kérjük, forduljon ügyfélszolgálatunkhoz. Kétségek esetén lépjén kapcsolatba a szállítóval is!

Műszaki adatok

Tételszám	205808	205815	205822	205839	205846	205853
Üzemi feszültség és frekvencia	230V- 50Hz					
Felvett teljesítmény	3000W	3300W	3500W	3500W x 2	3000W x 2	3300W x 2
Érintésvédelmi osztály	I. osztály					
Vízálló érintésvédelmi osztály	IPX3					
Hőmérséklet-tartomány	50-190°C					
Tartalom	4L	6L	8L	8L x 2	4L x 2	6L x 2
Külső méretek	217x380x (H)300mm	265x430x (H)290mm	265x430x (H)345mm	550x430x (H)345mm	470x420x (H)330mm	550x430x (H)290mm
Nettó súly (kb.)	5kg	5,4kg	6kg	11kg	8,5kg	9,5kg

Tételszám	975404	975428
Üzemi feszültség és frekvencia	230V- 50Hz	
Felvett teljesítmény	2200W	3500W
Érintésvédelmi osztály	I. osztály	
Vízálló érintésvédelmi osztály	IPX3	
Hőmérséklet-tartomány	50-190°C	
Tartalom	4L	8L
Külső méretek	217x380x (H)300mm	265x430x (H)345mm
Nettó súly (kb.)	5kg	6kg

Megjegyzések: A műszaki specifikációk előzetes értesítés nélkül módosulhatnak.



Garancia

Minden olyan meghibásodás, mely a készülék működését hátrányosan befolyásolja, és mely a készülék vásárlásától számított egy éven belül lép fel, javítással vagy cserével ingyenes javításra kerül akkor, ha a készüléket az útmutatóban leírtaknak megfelelően használják és tartják karban és nem kezelték azt helytelenül vagy rendellenesen. Az Ön törvényileg biztosított jogait a fentiek nem érintik.

Ha a garancia jogszerű, adja meg, hogy hol és mikor vásárolta a készüléket. Mellékelje a vásárlást igazoló szelvényt (pl. pénztári blokk).

Célkitűzéseink okán, melyek szerint folyamatos termékfejlesztéseket hajtunk végre, fenntartjuk a jogot a termék, a csomagolás és a dokumentáció előzetes bejelentés nélküli módosítására.

Leselejtezés és környezetvédelem

A készülék leszerelésekor a terméket nem szabad más háztartási hulladékkal együtt ártalmatlanítani. Az Ön felelőssége, hogy a hulladékká vált berendezést egy kijelölt gyűjtőpontra szállítsa. A szabály betartásának elmulasztása a hulladékártalmatlanításra vonatkozó előírásoknak megfelelően büntethető. A hulladékká vált berendezés elkülönített gyűjtése és újrafelhasználása elősegíti a természetes erőforrások megőrzését, valamint

biztosítja az emberi egészség és a környezet védelmét biztosító újrahasznosítást. További információért arról, hogy hova tudja elszállítani a hulladékot újrahasznosításra, kérjük, vegye fel a kapcsolatot a helyi hulladékgyűjtő társasággal. A gyártók és az importőrök nem vállalnak felelősséget sem a közvetlen, sem az állami rendszeren keresztül történő újrahasznosításért, hulladékkezelésért és az ökológiai ártalmatlanításért.




Ďakujeme, že ste si kúpili tento prístroj Hendi. Pozorne si prečítajte túto príručku a venujte osobitnú pozornosť bezpečnostným predpisom, ktoré sú uvedené nižšie, pred prvou inštaláciou a používaním tohto zariadenia.

Bezpečnostné predpisy

- Tento spotrebič je určený len na komerčné použitie.
- Spotrebič používajte len na určený účel, na ktorý bol navrhnutý tak, ako je opísané v tejto príručke.
- Výrobca nenesie zodpovednosť za žiadne škody spôsobené nesprávnou prevádzkou a nesprávnym používaním.
- Spotrebič a elektrickú zástrčku uchovávajte mimo dosahu vody a iných kvapalín. V prípade, že spotrebič spadne do vody, okamžite vyberte zástrčku zo zásuvky. Spotrebič nepoužívajte, kým ho nekontroluje certifikovaný technik. Nedodržanie týchto pokynov spôsobí život ohrozujúce riziká.
- Nikdy sa nepokúšajte otvoriť kryt spotrebiča sami.
- Nevkladajte predmety do krytu spotrebiča.
- Nedotýkajte sa zástrčky mokkými alebo vlhkými rukami.
- ⚡ **NEBEZPEČENSTVO ÚRAZU ELEKTRICKÝM PRÚDOM!** Nepokúšajte sa opraviť spotrebič sami, opravy majú vykonávať len kvalifikovaný personál.
- **Nikdy nepoužívajte poškodený spotrebič!** Keď dôjde k poškodeniu, odpojte spotrebič od zásuvky a obráťte sa na predajcu.
- **VAROVANIE!** Neponorte elektrické časti spotrebiča do vody alebo iných kvapalín.
- Nikdy nedržte spotrebič pod tečúcou vodou.
- Pravidelne kontrolujte, či je napájacia zástrčka a kábel poškodený. Ak je poškodený, musí byť nahradený servisným agentom alebo podobne kvalifikovanou osobou, aby sa predišlo nebezpečenstvu alebo zraneniu.
- Uistite sa, že kábel nie je v kontakte s ostrými alebo horúcimi predmetmi a nechajte ho mimo otvoreného ohňa. Nikdy nevytiahnite napájací kábel, aby ste ho odpojili od zásuvky, vždy vytiahnite zástrčku.
- Uistite sa, že napájací kábel a/alebo predlžovací kábel nespôsobujú nebezpečenstvo vypnutia.
- Počas používania nikdy nenechávajte spotrebič bez dozoru.
- **VAROVANIE!** Pokiaľ je zástrčka v zásuvke, spotrebič je pripojený k zdroju napájania.
- Pred odpojením zariadenia zo zásuvky vypnite spotrebič.
- Pripojte napájaciu zástrčku k ľahko dostupnej elektrickej zásuvke, aby bolo v prípade núdze možné okamžite odpojiť spotrebič.
- Nikdy nenoste spotrebič za kábel.
- Nepoužívajte žiadne ďalšie zariadenia, ktoré nie sú dodávané spolu so spotrebičom.
- Spotrebič pripojte iba k elektrickej zásuvke s napätím a frekvenciou uvedenou na štítku spotrebiča.

- Nikdy nepoužívajte iné príslušenstvo ako príslušenstvo odporúčané výrobcom. Nedodržanie tohto postupu by mohlo predstavovať bezpečnostné riziko pre užívateľa a mohlo by dôjsť k poškodeniu spotrebiča. Používajte iba originálne diely a príslušenstvo.
- Tento prístroj by nemal prevádzkovať osoby so zníženými fyzickými, zmyslovými alebo duševnými schopnosťami alebo osoby, ktoré nemajú dostatok skúseností a vedomostí.
- Tento spotrebič by za žiadnych okolností nemali používať deti.
- Spotrebič a jeho napájací kábel uchovávajte mimo dosahu detí.
- **UPOZORNENIE:** VŽDY vypnite spotrebič a odpojte od elektrickej zásuvky pred čistením, údržbou alebo skladovaním.

Osobitné bezpečnostné predpisy

-  **UPOZORNENIE! HORÚCI POVRCH!** Teplota prístupného povrchu je počas používania veľmi vysoká. Dotýkajte sa iba ikon na ovládacom paneli.
- Ak chcete tento spotrebič umiestniť v tesnej blízkosti steny, priečok, kuchynského nábytku, dekoratívnych povrchových úprav atď., odporúča sa, aby boli vyrobené z nehorľavého materiálu; ak nie, musia byť pokryté vhodným nehorľavým tepelne izolačným materiálom a najväčšia pozornosť sa musí venovať predpisom o ochrane pred požiarimi.
- Neumiestňujte spotrebič na vykurovací predmet (benzínový sporák, elektrický sporák, sporák na drevené uhlie atď.). Udržujte spotrebič v bezpečnej vzdialenosti od horúcich povrchov a otvoreného ohňa. Spotrebič prevádzkujte vždy na rovnom, stabilnom, čistom, tepelne odolnom a suchom povrchu.
- Nepoužívajte spotrebič v blízkosti výbušných alebo horľavých materiálov, kreditných kariet, magnetických diskov alebo rádii.
- Tento spotrebič nie je určený na prevádzku pomocou externého časovača alebo samostatného systému diaľkového ovládania.
- **UPOZORNENIE:** Nebezpečenstvo požiaru, ak je hladina oleja pod značkou „L“ (min.) alebo v nádržke nie je žiadny olej.
- **UPOZORNENIE:** Nevyprážajte príliš mokré potraviny a príliš veľa jedla naraz, aby ste zabránili nadmernému peneniu a vyliatiu oleja. Maximálne množstvo dávky je približne 1 kg.
- Počas používania nechajte okolo spotrebiča aspoň 20 cm odstup z dôvodu ventilácie.
- Na vyprážanie používajte iba vhodný olej alebo tuk. Olej alebo tuk pravidelne vymieňajte. Prevarený alebo špinavý olej alebo tuk sa môže vznietiť, ak je prehriaty.“
- Počas prevádzky nepoužívajte plastové príbory.
- **NEBEZPEČENSTVO V PRÍPADE POUŽÍVANIA STARÉHO OLEJA!** Týmto spôsobom sa zníži bod vzplanutia, čím môže dôjsť k náhlemu zovretiu.
- **VÝSTRAHA!** Ak do zariadenia vložíte veľmi vlhké potraviny alebo veľké množstvo potravín, môže to ovplyvniť bod varu oleja.
- **VÝSTRAHA!** Z bezpečnostných dôvodov nekladajte naraz do zariadenia viac várok na fritovanie (max. množstvo približne 2 kg).
- Po každom použití spotrebič a ostatné príslušenstvo vyčistite (->Čistenie a údržba).
- Nepoužívajte prúd vody, prepláchnite priamo vodou alebo parným čističom, pretože diely navlhnu a môže dôjsť k úrazu elektrickým prúdom.



- **UPOZORNENIE!** Ak je to potrebné, bezpečne pripojte napájací kábel, aby ste zabránili neúmyselnému potiahnutiu alebo kontaktu s vykurovacou plochou.
- Neumývajte spotrebič vodou. Umývanie môže spôsobiť úniky a zvýšiť riziko úrazu elektrickým prúdom.
- Spotrebič nečistite ani neskladujte, pokiaľ nie je úplne vychladnutý.
- Žiadna časť nie je vhodná do umývačky riadu.
- Pred doplnením alebo čistením je vždy nutné vytiahnuť zástrčku zo zásuvky.
- Elektrické zariadenie musí odpovedať národným a regionálnym predpisom.
- Zásobník fritézy aj vykurovacie teleso umiestnite v kuchyni na miesto, kde horúci olej nebude predstavovať žiadne nebezpečenstvo.

Zamýšľané použitie

- Toto zariadenie je určené na profesionálne použitie a môžu ho používať iba kvalifikovaní pracovníci.
- Spotrebič je navrhnutý iba na smaženie vhodných potravín ako sú hranolky atď. Iné použitie môže viesť k poškodeniu spotrebiča, alebo zranenia personálu.
- Použitie spotrebiča na iný účel je považované za zneužitie zariadenia. Užívateľ je výhradne zodpovedný za riadne použitia zariadenia.

Inštalácia uzemnenia

Tento spotrebič je klasifikovaný ako **trieda ochrany I** a musí byť pripojený k ochrannej ploche. Uzemnenie znižuje riziko úrazu elektrickým prúdom tým, že poskytuje únikový vodič pre elektrický prúd. Tento

spotrebič je vybavený napájacím káblom, ktorý má uzemňovací vodič a uzemnenú zástrčku. Zástrčka musí byť zapojená do zásuvky, ktorá je správne nainštalovaná a uzemnená.

Príprava uvedenia do prevádzky

- Skontrolujte, či spotrebič nie je poškodený. V prípade poškodenia sa bezodkladne spojte so svojim dodávateľom a spotrebič **NEPOUŽÍVAJTE**.
- Odstráňte všetok obalový materiál vrátane prípadnej ochrannej fólie.
- Spotrebič vypláchnite vlažnou vodou a mäkkou handrou.
- Ak nie je uvedené inak, postavte spotrebič vodorovne.
- Okolo spotrebiča by malo byť dostatok voľného priestoru.
- Spotrebič postavte tak, aby bolo kedykoľvek možné vytiahnuť zástrčku.
- Obal si odložte, ak máte v úmysle v budúcnosti uskladniť spotrebič.

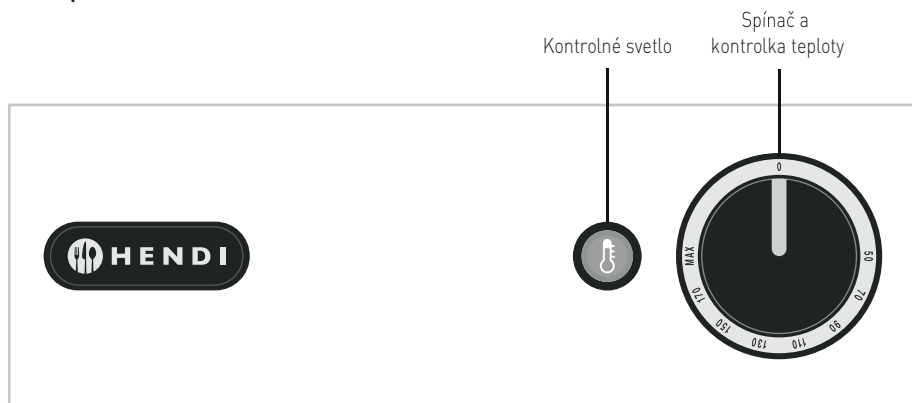
Inštalácia

- Spotrebič umiestnite pomocou gumových nožičiek na rovný, stabilný, čistý, tepelne odolný a suchý povrch.
- Opatrne namontujte zadnú opierku s vyhrievacím telesom na zadný okraj nádržky na olej.

Poznámka:

1. Uistite sa, že čap na zadnej opierke je v správnej polohe a správne namontovaný.
2. Spotrebič by mal byť pred použitím umiestnený na bezpečnom mieste vo vašej kuchyni, pretože môže byť pri používaní horúci.

Ovládacie pole



Použitie

- Vytiahnite zástrčku zo zásuvky.
- Naplňte nádobu olejom alebo tukom po značku H (maximálna úroveň). POZOR: Netekuté druhy tuku je nutné pred naplnením rozohriať, aby sa zabránilo páleniu tuku a preťaženiu.
- Zasuňte zástrčku s ochranným kontaktom do uzemnenej zásuvky.

- Na termostate nastavte požadovanú teplotu. Rozsvieti sa oranžové svetlo.
- Po dosiahnutí nastavenej teploty oranžové svetlo zhasne.
- Teraz môžete fritovať.

Fritovanie

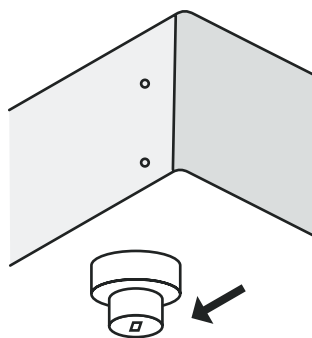
Fritéza je vybavená jedinečnou chladnou zónou, ktorou klesajú omrvinky a opečené zvyšky na dno a tuk tak vydrží výrazne dlhšie.

Pravidelne kontrolujte, či sa v nádobe nachádza dostatok tuku. Stav naplnenia nesmie nikdy klesnúť pod značku MIN.

RESET teplotného obmedzovača (tepelnej poistky)

Upozorňujeme, že tlačidlo RESET sa nachádza na spodnej časti snímateľného kontrolného panelu a je vybavené krytom (pozrite nákres)

- Najprv odpojte fritézu od elektrickej siete.
- Počkajte, kým fritéza celkom nevychladne.
- Zložte snímateľný kontrolný panel.
- Odskrutkujte čierny kryt resetovacieho tlačidla.
- Stlačte tlačidlo RESET teplotného obmedzovača (tepelnej poistky). Mali by ste počuť cvaknutie.
- Naskrutkujte kryt resetovacieho tlačidla späť.
- Snímateľný kontrolný panel pripevnite späť na miesto.



Tipy k fritovaniu

- Prednostne používajte iba tekutý fritovací olej/tuk.
- Doporučená fritovací teplota je max. 175° C.
- Olej ohrievajte pomaly v troch stupňoch, napríklad najprv na 100° C, na 140° C a na 175° C, vždy s 15 minútovým prerušením.
- Z mrazených potravín na fritovanie odstráňte ľad a omrvinky.
- Nefritujte príliš veľké množstvo naraz, to môže spôsobiť ochladenie tuku resp. oleja. Príliš studený olej/tuk môžu potraviny nasať, ideálny pomer je max. 1:10.
- Po použití odfiltrujte omrvinky a ďalšie zvyšky z oleja/tuku.
- Olej/tuk pravidelne meňte. Používajte testovacie pásky či podobné prostriedky na pravidelnú kontrolu.
- Ak olej/tuk začne peniť, dymiť, alebo smrdieť, vymeňte ho.

Tuhý tuk

- Ak aj napriek tomu použijete proti našej rade tuhý tuk: olej pomaly zahrievajte v najnižšej polohe, kým sa neroztopí. Keď sa tuk rozpustí, môžete nastaviť správnu teplotu vyprážania.
- Ak používate tuhý tuk, nechajte bloky tuku pomaly sa roztopiť na miernom ohni v bežnej panvici. Rozpustený tuk opatrne nalejte do hlbokéj fritézy. Zapojte sieťovú zástrčku a zapnite hlbokú fritézu.
- Hlboký fritovací kôš po použití vyberte z tuku. Tým sa zabráni uviaznutiu koša v stuhnutom tuku.

Po použitie

- Spotrebič vypnite tým, že vypnete spínač a vytiahnete zástrčku zo zásuvky.
- Odstráňte kôš z tuku. Zabráňte tým tomu, aby zostal uväznený v zrazenom tuku.
- Fritézu priklopte vekom, aby zostal tuk čerstvý.

Čistenie a údržba

- Pred každým čistením vždy vytiahnite zástrčku.
- Pozor: nedávajte spotrebič do vody ani do inej kvapaliny!
- Plášť čistite vlhkou handrou (vodou a jemným prostriedkom na riad).
- Nepoužívajte žiadne agresívne čistiace prostriedky či prostriedky na drhnutie. Nepoužívajte ostré, špicaté predmety. Nepoužívajte benzín ani rozpúšťadlá! Spotrebič čistite vlhkou handrou a prípadne prostriedkom na riad. Nepoužívajte žiadne materiály na drhnutie.
- Spotrebič nečistite parným čističom ani prúdom vody.
- Po vyčistení spotrebič zmontujte a uistite sa, že je ohrievací a ovládací panel správne namontovaný, pretože v opačnom prípade nebude spotrebič fungovať.

Riešenie problémov

Porucha	Fenomény	Príčina	príp. riešenie
Spotrebič nefunguje.	Oranžové svetlo nesvieti, aj keď má olej izbovú teplotu	Žiadne sieťové napätie.	Skontrolujte elektrické zariadenie. Defektný spínač
		Aktivovalo sa teplotného obmedzovača (tepelnej poistky).	Teplotného obmedzovača (tepelnej poistky) resetujte (pozri stránku 89)
		Defektné teplotného obmedzovača (tepelnej poistky).	Obráťte sa na svojho dodávateľa.
		Defektný termostat.	Obráťte sa na svojho dodávateľa.
Spotrebič nedosiahne nastavenú teplotu.	Dlhá doba fritovania.	Defektný termostat.	Obráťte sa na svojho dodávateľa.
		Defektný prvok.	Obráťte sa na svojho dodávateľa.

Ak bude spotrebič napriek všetkým kontrolám vykazovať poruchy, obráťte sa prosím na zákaznícku službu. V prípade neistoty kontaktujte svojho dodávateľa!

Tehničné špecifikácie

Číslo položky	205808	205815	205822	205839	205846	205853
Prevádzkové napätie a frekvencia	230V~ 50Hz					
Príkon	3000W	3300W	3500W	3500W x 2	3000W x 2	3300W x 2
Trieda ochrany	Trieda I					
Trieda ochrany proti vode	IPX3					
Teperaturno območje	50-190°C					
Vseбина	4L	6L	8L	8L x 2	4L x 2	6L x 2
Zunanje dimenzije	217x380x (H)300mm	265x430x (H)290mm	265x430x (H)345mm	550x430x (H)345mm	470x420x (H)330mm	550x430x (H)290mm
Čistá hmotnosť (približne)	5kg	5,4kg	6kg	11kg	8,5kg	9,5kg

SK

Číslo položky	975404	975428
Prevádzkové napätie a frekvencia	230V~ 50Hz	
Príkon	2200W	3500W
Trieda ochrany	Trieda I	
Trieda ochrany proti vode	IPX3	
Teperaturno območje	50-190°C	
Vseбина	4L	8L
Zunanje dimenzije	217x380x (H)300mm	265x430x (H)345mm
Čistá hmotnosť (približne)	5kg	6kg

Poznámky: Technické parameter podliehajú zmene bez predbežného oznámenia.



Záruka

Akákoľvek chyba ovplyvňujúca funkčnosť spotrebiča, ktorá sa prejaví do jedného roka po zakúpení, bude opravená bezplatnou opravou alebo výmenou za predpokladu, že spotrebič bol použitý a udržiavaný v súlade s pokynmi a nebol zneužitý ani zneužitý. Vaše zákonné práva nie sú dotknuté. Ak je spotrebič nárokován na základe záruky, uveďte,

kde a kedy bol zakúpený, a uveďte doklad o kúpe (napr. potvrdenie o prijatí).

V súlade s našou politikou nepretržitého vývoja produktov si vyhradujeme právo bez predchádzajúceho upozornenia meniť špecifikácie výrobku, balenia a dokumentácie.

Vyhadzovanie a životné prostredie

Pri vyradovaní spotrebiča z prevádzky sa liek nesmie likvidovať s iným domovým odpadom. Namiesto toho je vašou zodpovednosťou zlikvidovať svoje odpadové zariadenie odovzdaním určenému zbernému miestu. Nedodržanie tohto pravidla môže byť penalizované v súlade s platnými predpismi o zneškodňovaní odpadu. Samostatný zber a recyklácia vášho odpadového zariadenia v čase likvidácie pomôže zachovať prírodné zdroje a za-

bezpečiť ich recyklovanie spôsobom, ktorý chráni ľudské zdravie a životné prostredie.

Pre viac informácií o tom, kde môžete odložiť svoj odpad na recykláciu, kontaktujte miestnu spoločnosť na zber odpadu. Výrobcovia a dovozcovia nepreberú zodpovednosť za recykláciu, úpravu a ekologickú likvidáciu, a to buď priamo, ani prostredníctvom verejného systému.

Zahvaljujemo se vam za nakup naprave Hendi. Pred prvo uporabo naprave natančno preberite ta priročnik, pri čemer bodite posebej pozorni na varnostne predpise, opisane spodaj.


Varnostna navodila

- Naprava je namenjena samo komercialni uporabi.
- Napravo uporabljajte samo za predviden namen, za katerega je bila zasnovana, kot je opisano v tem priročniku.
- Proizvajalec ni odgovoren za škodo, ki nastane zaradi nepravilnega delovanja in nepravilne uporabe.
- Naprava in električni vtič morata biti oddaljena od vode in drugih tekočin. Če naprava pade v vodo, takoj iztaknite vtič iz vtičnice. Naprave ne uporabljajte, dokler je ne preveri certificirani tehnik. Neupoštevanje teh navodil povzroči življenjsko nevarna tveganja.
- Ohišja naprave nikoli ne odpirajte sami.
- V ohišje naprave ne vstavljajte predmetov.
- Čepa se ne dotikajte z mokrimi ali vlažnimi rokami.
- ⚡ **NEVARNOST ELEKTRIČNEGA UDARA!** Naprave ne poskušajte popravljati sami, popravila lahko izvaja samo kvalificirano osebe.
- **Nikoli ne uporabljajte poškodovane naprave!** Če je poškodovan, napravo izključite iz vtičnice in se obrnite na trgovca.
- **OPOZORILO!** Električnih delov naprave ne potaplajte v vodo ali druge tekočine.
- Naprave nikoli ne držite pod tekočo vodo.
- Redno preverjajte, ali sta vtič in kabel morda poškodovana. Če je poškodovan, ga mora zamenjati predstavnik servisne službe ali druga strokovno usposobljena oseba, da se izognete nevarnosti ali poškodbam.
- Zagotovite, da kabel ne pride v stik z ostrimi ali vročimi predmeti in ga hranite pred odprtim ognjem. Napajalnega kabla nikoli ne vlecite za odklop iz vtičnice, vedno povlecite za vtič.
- Pazite, da priključni kabel in/ali podaljšek ne povzročita nevarnosti spotaknitve.
- Naprave med uporabo nikoli ne puščajte brez nadzora.
- **OPOZORILO!** ADokler je vtič v vtičnici, je naprava priključena na vir napajanja.
- Preden napravo izvlečete iz vtičnice, jo izklopите.
- Vtič vključite v električno vtičnico, ki je lahko dostopna in omogoča takojšen odklop naprave.
- Naprave nikoli ne prenašajte za kabel.
- Ne uporabljajte nobenih dodatnih naprav, ki niso priložene napravi.
- Napravo priključite v električno omrežje samo z napetostjo in frekvenco, ki sta navedeni na nalepki naprave.
- Nikoli ne uporabljajte dodatkov, ki jih ne priporoča proizvajalec. V nasprotnem primeru lahko predstavljate tveganje za uporabnika in poškodujete napravo. Uporabljajte samo originalne dele in dodatke.
- Naprave ne smejo upravljati osebe z zmanjšanimi telesnimi, čutnimi ali razumskimi sposobnostmi ali osebe s pomanjkanjem izkušenj in znanja.



- Naprave v nobenem primeru ne smejo uporabljati otroci.
- Napravo in napajalni kabel hranite zunaj dosega otrok.
- **OPOZORILO:** Pred čiščenjem, vzdrževanjem ali shranjevanjem VEDNO izklopite napravo in iztaknite vtič iz vtičnice.

Posebni varnostni predpisi

-  **BODITE PREVIDNI! VROČA POVRŠINA!** Temperatura dostopne površine je med uporabo zelo vroča. Dotaknite se samo ikon na upravljalni plošči.
- Ko je ta naprava nameščena v neposredni bližini stene, pregrad, kuhinjskega pohištva, okrasnih površin itd., je priporočljivo, da je izdelana iz nevetljivega materiala; v nasprotnem primeru morajo biti obrobjena z ustrezno negorljivo toploto izolacijskega materiala in najbližjo pozornost je treba posvetiti predpisom za preprečevanje požara.
- Naprave ne postavljajte na grelni predmet (bencin, električni, ogleni kuhalnik itd.). Napravo hranite stran od vročih površin in odprtega ognja. Napravo vedno uporabljajte na vodoravni, stabilni, čisti, na vročino odporni in suhi površini.
- Naprave ne uporabljajte v bližini eksplozivnih ali vnetljivih materialov, kreditnih kartic, magnetnih diskov ali radiov.
- Ta naprava ni namenjena upravljanju z zunanjo programsko uro ali z ločenim sistemom za daljinsko upravljanje.
- **OPOZORILO:** Nevarnost požara obstaja, če je raven olja pod oznako »L« (Min) ali če v posodi za olje ni olja.
- **OPOZORILO:** Ne cvrejte preveč mokrih živil in hrane vsakokrat, da preprečite pretirano penjenje in razlitje olja. Največja obremenitev serije je približno 1 kg.
- Med uporabo pustite okoli naprave vsaj 20 cm prostora za prezračevanje.
- Za cvrenje uporabljajte samo ustrezno olje ali maščobo. Redno menjajte olje ali maščobo. Če se olje ali maščoba prekuha, se lahko zažge.
- Med delovanjem ne uporabljajte plastičnega pribora
- **NEVARNOST!** Nikoli ne uporabljajte starega olja, staro olje ima zmanjšano plamenišče in je bolj nagnjeno k vrenju, kar poveča tveganje požara in nevarnih situacij.
- **OPOZORILO!** Vlažna hrana in velike količine hrapave hrane imajo negativen vpliv na vrenje olja.
- **OPOZORILO!** Ne cvrejte preveč hrane naenkrat, največja količina perila je približno 2 kg.
- Po vsaki uporabi vedno očistite napravo in drugo opremo (-->Čiščenje in vzdrževanje).
- Ne uporabljajte vodnega curka, splaknite neposredno z vodo ali parnim čistilnikom, ker se deli lahko zmočijo in pride do električnega udara.
- **BODITE PREVIDNI!** Po potrebi varno speljite napajalni kabel, da preprečite nenamerno vlečenje ali stik z grelno površino.
- Naprave ne perite z vodo. Umivanje lahko povzroči puščanje in poveča nevarnost električnega udara.
- Naprave ne čistite ali shranjujte, razen če je povsem ohlajena.
- Noben del ni primeren za pomivanje v pomivalnem stroju.
- Pri polnjenju ali čiščenju cvrtnika vedno iztaknite vtič iz vtičnice.

- Električna napeljava mora ustrezati veljavnim nacionalnim in lokalnim predpisom.
- Rezervoar cvrtnika in element morate pred uporabo namestiti v varen položaj v kuhinji zaradi vroče vsebine.

Namen uporabe

- Ta naprava je namenjena profesionalni uporabi in jo lahko uporablja samo usposobljeno osebje.
- Naprava je namenjena samo za cvrtje ustreznih živil, kot je ocvrt krompirček itd. Vsaka drugačna uporaba lahko povzroči poškodbe naprave ali te-

lesne poškodbe.

- Upravljanje naprave za kakršen koli drug namen se šteje za zlorabo naprave. Uporabnik je izključno odgovoren za neprimerno uporabo naprave.

Ozemljitev

Ta naprava je razvrščena kot **zaščita razreda I** in mora biti priključena na zaščitno ozemljitev. Ozemljitev zmanjša nevarnost električnega udara, tako da zagotovi evakuacijsko žico za električni tok. Ta

naprava ima vgrajen električni kabel z ozemljitveno žico in vtičem. Vtič morate vtakniti v vtičnico, ki je pravilno nameščena in ozemljena..

Priprava pred prvo uporabo

- Preverite, ali je naprava nepoškodovana. V primeru poškodbe se takoj obrnite na svojega dobavitelja in naprave NE uporabljajte.
- Odstranite ves embalažni material in zaščitno folijo (če je primerno).
- Napravo očistite z mlačno vodo in mehko krpo.
- Če ni navedeno drugače, napravo postavite na ravno in stabilno površino.

- Poskrbite, da bo okoli naprave dovolj prostora za prezračevanje.
- Napravo namestite tako, da bo vtič vedno dostopen.
- Embalažo shranite, če nameravate napravo shraniti v prihodnje.

Namestitev

- Napravo postavite na ravno, stabilno, čisto, na vročino odporno in suho površino z gumijastimi nogami.
- Previdno namestite zadnjo podporo z grelcem na zadnji rob posode za olje.

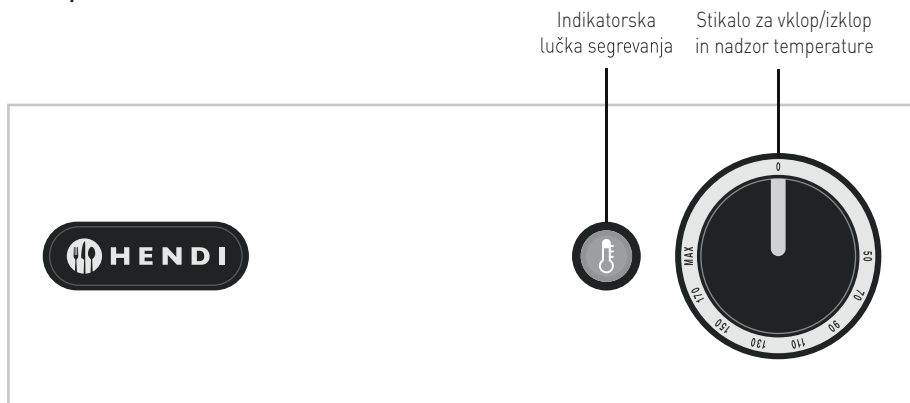
Opomba:

1. Prepričajte se, da je zatič na nosilcu hrbta v pravilnem položaju in pravilno nameščen.
2. Pred uporabo morate napravo postaviti v varen položaj v kuhinji, saj obstaja nevarnost vročine med uporabo.

SL



Nadzorna plošča



Uporabi

- Iztaknite vtič iz vtičnice.
- Posodo napolnite z oljem ali vodikovim oljem, dokler ne začne veljati oznaka H (raven MAX). Opomba! Trde maščobe je treba pred polnjenjem predhodno ogreti, s čimer se prepreči zažgana maščoba in preobremenitev stroja.
- Vtaknite vtič v ozemljeno vtičnico.
- Termostat nastavite na želeno temperaturo. Oranžna lučka zasveti.
- Ko je dosežena nastavljena temperatura, oranžna lučka ugasne.
- Zdaj lahko uporabite globok cvrtnik.

SL

Globoko cvrtje

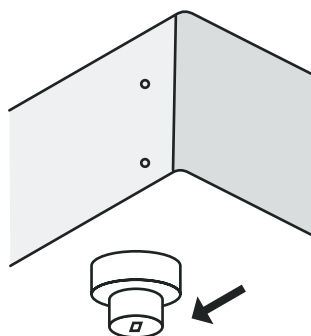
Globok cvrtnik je zasnovan z edinstvenim hladilnim območjem, ki omogoča, da se drobtine in ostanki na dnu umivalnika, kar omogoča tudi uporabno življenjsko dobo maščobe/olja, da se bistveno podaljša.

Redno preverjajte, ali je v posodi dovolj olja ali maščobe. Nivo ne sme biti nikoli pod črto MIN.

RESET Hi-limiter (toplotni izklop)

Gumb RESET je na dnu odstranljive nadzorne plošče z zaščitnim pokrovčkom (glejte risbo črte)

- Najprej izvlecite globok cvrtnik iz električne vtičnice.
- Pustite, da se cvrtnik povsem ohladi.
- Odstranite odstranljivo nadzorno ploščo s podpore.
- Odvijte črni zaščitni pokrovček gumba RESET.
- Pritisnite gumb RESET na Hi-limiter (toplotni izklop). Zasllišati morate klik.
- Zaščitni pokrovček privijte nazaj na gumb RESET.
- Znova namestite odstranljivo nadzorno ploščo na nosilce.



Nasveti za cvrtje

- Uporabljajte samo tekoče olje ali maščobo za cvrtje (po možnosti).
- Priporočena temperatura za cvrtje ocvrtih krompirčkov in prigrizkov je največ 175 °C.
- Počasi segrevajte olje. Najbolje je, da najprej v 3 korakih pri 100 °C, nato pa pri 100–140 °C in pozneje pri 140 °C do 175 °C, pri čemer med koraki opravite 15-minutni premor.
- Iz zamrznjenih živil odstranite led in drobtine.
- Ne cvrete preveč jedi naenkrat. Zaradi tega se lahko olje ali maščoba preveč ohladi. Ohlajeno olje/masti ne zapeče pravilno površine hrane,

tako da se vpije več maščobe. Idealni delež zamrznjenih izdelkov v primerjavi z oljem/masti je največ 1 : 10.

- Ob intenzivni uporabi je treba drobtine in druge delce filtrirati iz olja/masti.
- Olje ali maščobo zamenjajte pravočasno. Redno uporabljajte preizkusne listke ali opremo za preverjanje, ali je treba zamenjati olje/maslo.
- Če olje ali maščoba začne peniti, kadite ali postane preveč viskozna, ga morate zamenjati. Če ima močan vonj ali okus, olje/maščobo nadomestite.

Trda maščoba

- Če kljub našemu nasvetu uporabljate polno maščobo: olje počasi segrevajte v najnižjem položaju, dokler se ne stopi. Ko se maščoba stopi, lahko nastavite ustrezno temperaturo cvrenja.
- Ko uporabljate polno maščobo, pustite, da se maščobe v običajni ponvi počasi topijo na zmerni

toploti. Stopljeno maščobo previdno zlijte v cvrtnik za globoko maščobo. Vtič vključite v vtičnico in vklopite cvrtnik za globoko maščobo.

- Košarico cvrtnika po uporabi odstranite iz maščobe. S tem preprečite, da bi se košara zagostila v strjeni maščobi.

Po uporabi

- Izklopite napravo, tako da izklopite stikalo in iztaknite vtič iz vtičnice.
- Košarico odstranite iz maščobe. S tem preprečite, da bi se košara zagostila v strjeni maščobi.

- Na cvrtnik položite pokrov, da se maščoba ne bo stara.

Čiščenje in vzdrževanje

- Pred čiščenjem naprave vedno iztaknite vtič iz vtičnice.
- Pazite: Naprave nikoli ne potaplajte v vodo ali drugo tekočino!
- Zunanost naprave očistite z vlažno krpo (vodo z blagim pomivalnim sredstvom).
- Nikoli ne uporabljajte agresivnih čistilnih sredstev ali abrazivnih sredstev. Ne uporabljajte ostrih ali

koničastih predmetov. Ne uporabljajte bencina ali topil! Po potrebi očistite z vlažno krpo in čistilnim sredstvom. Ne uporabljajte grobih materialov.

- Naprave ne čistite s parnim čistilnikom ali vodenim curkom.
- Po čiščenju sestavite napravo in se prepričajte, da je grelna in upravljalna plošča ustrezno nameščena, sicer naprava ne bo delovala.



Odpravljanje težav

Napaka	Simptomi	Možen vzrok	Možna rešitev
Naprava ne naredi ničesar	Oranžna lučka ne sveti	Ni omrežne napetosti	Preverite električno napeljavo. Stikalo za luč je pokvarjeno
		Izklopljen je visoko-omejevalnik (toplotni izklop).	Ponastavite omejevalnik Hi (toplotna prekinitelj) (glejte RESET na strani 96)
		Hi-omejevalnik (toplotni izklop) okvarjen	Obrnite se na svojega dobavitelja
		Termostat je okvarjen.	Obrnite se na svojega dobavitelja
Naprava ne doseže nastavljenih temperature.	Dolg čas cvrenja.	Termostat je okvarjen.	Obrnite se na svojega dobavitelja
		Element je okvarjen	Obrnite se na svojega dobavitelja

Če se po tem pritisku na tipke za upravljanje napaka nadaljuje, je priporočljivo stopiti v stik s tehnično pomočjo.

Če ste v dvomih, se vedno obrnite na svojega dobavitelja!

Tehnične specifikacije

Št. izdelka	205808	205815	205822	205839	205846	205853
Delovna napetost in frekvenca	230V~ 50Hz					
Nazivna moč	3000W	3300W	3500W	3500W x 2	3000W x 2	3300W x 2
Razred zaščite	Razred I					
Vodoodporen razred zaščite	IPX3					
Temperaturni razpon	50-190°C					
Zmogljivost	4L	6L	8L	8L x 2	4L x 2	6L x 2
Mere	217x380x (V)300mm	265x430x (V)290mm	265x430x (V)345mm	550x430x (V)345mm	470x420x (V)330mm	550x430x (V)290mm
Neto teža (pribl.)	5kg	5.4kg	6kg	11kg	8.5kg	9.5kg

Št. izdelka	975404	975428
Delovna napetost in frekvenca	230V~ 50Hz	
Nazivna moč	2200W	3500W
Razred zaščite	Razred I	
Vodoodporen razred zaščite	IPX3	
Temperaturni razpon	50-190°C	
Zmogljivost	4L	8L
Mere	217x380x (V)300mm	265x430x (V)345mm
Neto teža (pribl.)	5kg	6kg

Opomba: Tehnične specifikacije se lahko spremenijo brez predhodnega obvestila.



Garancija

Okvare, ki vplivajo na funkcionalnost naprave in se pojavijo v enem letu po nakupu, se popravijo s brezplačnim popravilom ali zamenjavo, če je bila naprava uporabljena in se je ohranila v skladu z navodili in ni bila zlorabljena ali napačno uporabljena. To ne vpliva na vaše zakonske pravice. Če je za napravo veljala garancija, navedite, kje in kdaj

je bila kupljena, in priložite dokazilo o nakupu (npr. račun).

Skladno z našo politiko nenehnega razvoja izdelkov si pridržujemo pravico do spremembe izdelka, embalaže in specifikacij dokumentacije brez predhodnega obvestila.

Odstranjevanje in okolje

Med odstranjevanjem naprave ne odvrzite izdelka skupaj z drugimi gospodinjstvi odpadki. Namesto tega ste sami odgovorni za odstranjevanje odpadne opreme na določeno zbirno mesto. Neupoštevanje tega pravila lahko kaznuje v skladu z veljavnimi predpisi o odlaganju odpadkov. Ločeno zbiranje in recikliranje vaše odpadne opreme v času odlaganja bo pomagalo ohraniti naravne vire in zagotoviti,

da se reciklira na način, ki varuje zdravje ljudi in okolje. Za več informacij o tem, kam lahko odložite odpadke za recikliranje, se obrnite na lokalno zbirno podjetje za odpadke. Proizvajalci in uvozniki ne prevzemajo odgovornosti za recikliranje, obdelavo in ekološko odstranjevanje, bodisi neposredno bodisi prek javnega sistema.





HENDI

Tools for Chefs

Hendi B.V.

Innovatielaan 6
6745 XW De Klomp, The Netherlands
Tel: +31 317 681 040
Email: info@hendi.eu

Hendi Polska Sp. z o.o.

ul. Firmowa 12
62-023 Robakowo, Poland
Tel: +48 61 658 7000
Email: info@hendi.pl

Hendi Food Service Equipment GmbH

Ehring 15
5112 Lamprechtshausen, Austria
Tel: +43 6274 200 10 0
Email: office.austria@hendi.eu

Hendi Food Service Equipment Romania S.R.L.

Str. 13 decembrie 94A, Hala 14
Braşov, 500164, Romania
Tel: +40 268 320330
Email: office@hendi.ro

PKS Hendi South East Europe SA

5 Metsovou Str.
18346 Moschato, Athens, Greece
Tel: +30 210 4839700
Email: info@pks-hendi.com

Hendi Italia S.R.L.

Via Leonardo da Vinci 4
39100 Bolzano (BZ), Italy
Tel: +39 800 727 438
Email: office.italy@hendi.eu

Hendi HK Ltd.

1208, 12/F Exchange Tower
33 Wang Chiu Road, Kowloon Bay, Hong Kong
Tel: +852 2154 2618
Email: info-hk@hendi.eu

Find Hendi on internet:

www.hendi.eu
www.facebook.com/HendiToolsforChefs
www.linkedin.com/company/hendi-food-service-equipment-b.v.
www.youtube.com/HendiEquipment

- Changes, printing and typesetting errors reserved.
- Änderungen und Druckfehler vorbehalten.
- Wijzigingen en drukfouten voorbehouden.
- Producent zastrzega sobie prawo do zmian oraz błędów drukarskich w instrukcji.
- Variations et fautes d'impression réservées.
- Errori di cambiamenti, di stampa e di impaginazione riservati.

- Drepturi rezervate cu privire la modificări și greșeli de imprimare.
- Изменения, печати и верстки ошибки защищены.
- Με επιφύλαξη αλλαγών, λαθών εκτύπωσης και στοιχειοθεσίας.
- Změny, chyby tisku a sazby vyhrazeny.
- Változások, nyomtatás és nyomdai hibák fenntartva.
- Zmeny, chyby v tlači a sadzbe vyhradené.
- Spremembe, tiskanje in tipnastavitev napake shranjenih.