



USER MANUAL (GB).....	2
MANUEL D'UTILISATION (FR).....	12
BEDIENUNGSANLEITUNG (DE).....	22
MANUALE PER L'UTENTE (IT).....	32
GEbruIKSAANWIJZING (NL).....	42
MANUAL DE INSTRUÇÕES (PT).....	52
MANUAL DE USUARIO (ES).....	62
BRUGERVEJLEDNING (DK).....	72
BRUKERMANUAL (NO).....	82
INSTRUKTIONSMANUAL (SE).....	92
KÄYTTÖOHJE (FI).....	102
РУКОВОДСТВО ПОЛЬЗОВАТЕЛЯ (RU).....	112
ΟΔΗΓΙΕΣ ΧΡΗΣΗΣ (GR).....	122
INSTRUKCJA UŻYTKOWANIA (PL).....	132
NÁVOD K POUŽITÍ (CZ).....	142
POUŽÍVATEĽSKÁ PRÍRUČKA (SK).....	152
KULLANMA KILAVUZU (TR).....	162



## GENERAL SAFETY WARNINGS

This appliance should only be used for private household use, as described in this user guide. Please ensure that this guide is fully understood before operating the appliance and keep for future reference.

Check if the voltage and ratings indicated on the label of the appliance correspond to the local power voltage before you connect the appliance.

If the power cord is damaged stop using the appliance immediately. To avoid a safety hazard, an authorized HOOVER service engineer must replace the power cord.

Do not remove the plug by pulling the power cord.

Lay the supply cord so nobody will step on or trip over it.

Always switch off and unplug the appliance before moving or cleaning the appliance or any maintenance task.

This appliance can be used by children aged from 8 years and above and persons with reduced physical, sensory or mental capabilities or lack of experience and knowledge if they have been given supervision or instruction concerning use of the appliance in a safe way and understand the hazards involved. Children shall not play with the appliance.

Cleaning and user maintenance shall not be made by children without supervision.

The appliance does not remove carbon monoxide (CO) or radon (Rn). It cannot be used as safety device in case of accidents with combustion processes and hazardous chemicals.

Do not continue to use your appliance if it appears faulty.

Do not block the air inlet or air outlet.

Do not insert your fingers or objects into the air outlet or the air inlet to prevent physical injury or malfunctioning of the appliance.

Do not clean the appliance with water, any other liquid, or a (flammable) detergent, nor let them enter the appliance to avoid electric shock and/ or a fire hazard.

Do not spray any flammable materials such as insecticides or fragrance around the appliance.

This appliance is not a substitute for proper ventilation, regular vacuum cleaning, or use of an extractor hood or fan while cooking.

Use only consumables, filters or spares recommended or supplied by HOOVER.

Make sure the filter is properly installed before you switch on the appliance.

Avoid knocking against the appliance (the air inlet and outlet in particular) with hard objects.

Keep the product dry.

Never tilt or empty the product during operation.

When the appliance is not used for a long time, bacteria may grow on the filters. Check the filters after a long period of disuse. If the filters are very dirty, replace them.

HOOVER service: To ensure the continued safe and efficient operation of this appliance we recommend that any servicing or repairs are only carried out by an authorized HOOVER service engineer.

## USING ENVIRONMENT

Place and use the product only on a dry, stable, level horizontal surface, so that tipping over is excluded.

Leave at least 20cm free space behind and on both sides of the appliance and leave at least 30cm free space above the appliance.

To prevent interference, place the appliance at least 2m away from electrical appliances that use airborne radio waves such as TVs, radios, and radio-controlled clocks.

Do not place anything on top of the appliance.

Do not use this appliance when you have used indoor smoke-type insect repellents or in places with oily residues, burning incense, or chemical fumes.

Do not place the appliance in any of the following locations:

- On hot surfaces, near hot surfaces, open fire or in direct sunlight, near gas appliances, heating devices or fireplaces;
- Next to or directly above heaters or air conditioning vents, doors, windows, extractor fans, cookers or anywhere that it would be affected by draughts;
- In a bathroom or other areas where the product may be exposed to water splashes, dripping or condensation (e.g. directly below an air conditioner or above an electric kettle);
- In an enclosed space (e.g. in or below a cupboard);
- In an area where the temperature could drop below  $-20^{\circ}\text{C}$  or rise above  $50^{\circ}\text{C}$ ;
- In a room with major temperature changes, in wet surroundings or in surroundings with high ambient temperatures or high humidity, such as the bathroom, toilet, or kitchen;
- Where it would be obstructed, e.g. by curtains or furniture;
- Where dirt or dust could block the sensor.

## CO MONITOR SAFETY INSTRUCTIONS

If CO alarm is activated, you should open all windows and doors (if safe to do so). Turn off all fuel burning appliances if possible and then evacuate the property leaving the windows and doors open. Get immediate medical help for anyone suffering the effects of carbon monoxide poisoning. Do not re-enter the property until the alarm stops. The alarm will stop once the CO has cleared. Do not use fuel burning appliances again until the CO source has been located and rectified by a qualified technician.

Avoid using paint, thinners, solvent fumes, air fresheners, aerosol sprays or chemical cleaners near the appliance. This may affect functioning of CO monitor.

To activate the CO monitor, connect the plug to a socket outlet. The CO Alert LED will display green. When the CO monitor detects unsafe level of CO, the CO alarm will ring loudly and the CO Alert button and Air Quality LED Ring will blink in red color. The alarm will continue to ring until the detected CO reduces to a safe level.

Touch CO Alert Button for 3 seconds to test the CO Alarm function and the alarm will ring loudly for 5 seconds. Test the alarm monthly and after prolonged absence from the building (e.g. holidays). If the alarm fails to ring after touching the CO Alert Button for 3 seconds, please contact the Hoover customer care center to arrange a qualified technician to repair the fault.

If the display indicates that the CO sensor is faulty or end of life has been reached, please contact the Hoover customer care center to arrange a qualified technician to replace the CO sensor. The expected lifetime of the CO sensor is 7 years and must be replaced after this time.

Do not allow small children to press the CO Alert button for 3 seconds as they could be subject to excessive noise when the alarm rings.

Operating Humidity: 15 – 90% RH

Operating Temperature:  $0^{\circ}\text{C}$  to  $+40^{\circ}\text{C}$

Carbon Monoxide affects the body by starving (suffocating) critical organs of oxygen. When CO is inhaled it attaches to the hemoglobin in the blood that normally carries oxygen throughout the body. CO permanently displaces the ability for oxygen molecules to attach to the hemoglobin, thus reducing oxygen to vital organs. The concentration level and time exposed to CO can vary its effects on the body, but experts agree even low levels of carbon monoxide exposure over prolonged periods can have serious and lasting affects to anyone's overall health.

**WARNING:** THE CO ALARM IS DESIGNED TO PROTECT INDIVIDUALS FROM THE ACUTE EFFECTS OF CARBON MONOXIDE EXPOSURE OR PREVENT THE CHRONIC EFFECTS OF CARBON MONOXIDE EXPOSURE. IT WILL NOT FULLY SAFEGUARD INDIVIDUALS WITH SPECIFIC MEDICAL CONDITIONS. IF IN DOUBT CONSULT A MEDICAL PRACTITIONER.

The CO Monitor function is not to be used as, nor implied to be used as a substitute for an EN 50291-1, UL-2034, CSA-6.19 or any other recognized standard certified carbon monoxide alarm where Local or Regional Codes or legislation mandate their use. The CO Monitor function is a supplemental carbon monoxide monitoring device only. Use of this device is at the user’s discretion and implies the understanding and acceptance of its limitations to adhere to codes or legislation where applicable.

This appliance should not be used as a substitute for proper installation, use and maintenance of fuel burning appliances including appropriate ventilation and exhaust systems.

The CO monitor mobile and tablet notifications require a functional Wi-Fi connection to operate. They are not a substitute for a third-party emergency monitoring service.

**DIFFUSER SAFETY INSTRUCTIONS**

Use only aroma oil recommended or supplied by HOOVER.

Avoid using stand-alone humidifier next to the air purifier when using Diffuser function of H-Essence.

Wipe any spillage of H-Essence immediately. Make sure to clean every corner of the product that had contact with H-Essence.

**The Environment**

This appliance is marked according to the European directive 2012/19/EU on Waste Electrical and Electronic Equipment (WEEE). By ensuring this product is disposed of correctly, you will help prevent potential negative consequences for the environment and human health, which could otherwise be caused by inappropriate waste handling of this product.



The symbol on this appliance indicates that this appliance may not be treated as household waste. Instead it must be handed over to the applicable collection point for the recycling of electrical and electronic equipment. Disposal must be carried out in accordance with local environmental regulations for waste disposal. For more detailed information about treatment, recovery and recycling of this appliance, please contact your local city office, your household and waste disposal service or the shop where you purchased the appliance.

**Wireless Parameters for Pairing**

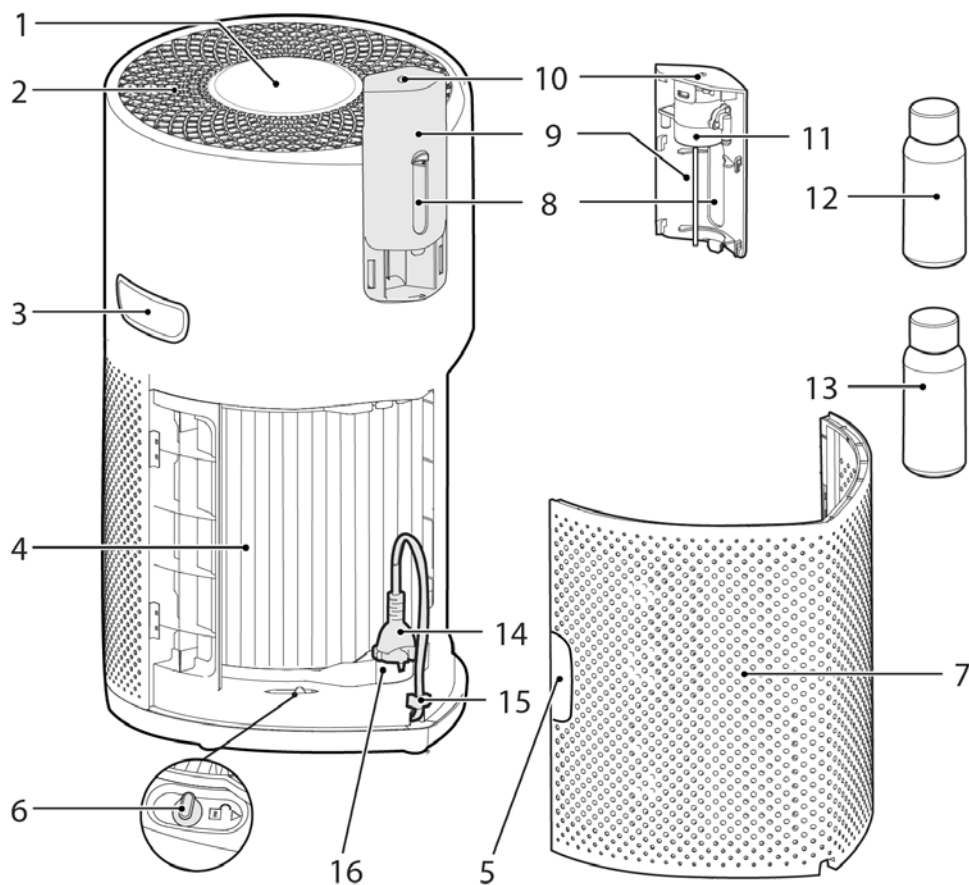
Technology	Wi-Fi	Bluetooth
Standard	IEEE 802.11 b/g/n	Bluetooth v4.2,BLE
Frequency Band(s) (MHz)	2401~2483	2402~2480
Maximum Power (mW)	100	10
Maximum RF power transmitted in the frequency band	18.9 dBm	

Hereby, Candy Hoover Group Srl declares that the radio equipment is in compliance with Directive 2014/53/EU. The full text of the EU declaration of conformity is available at the following internet address: [www.candy-group.com](http://www.candy-group.com)

CANDY HOOVER GROUP S.r.l. Via Privata Eden Fumagalli, 20861 Brugherio (MB) Italy



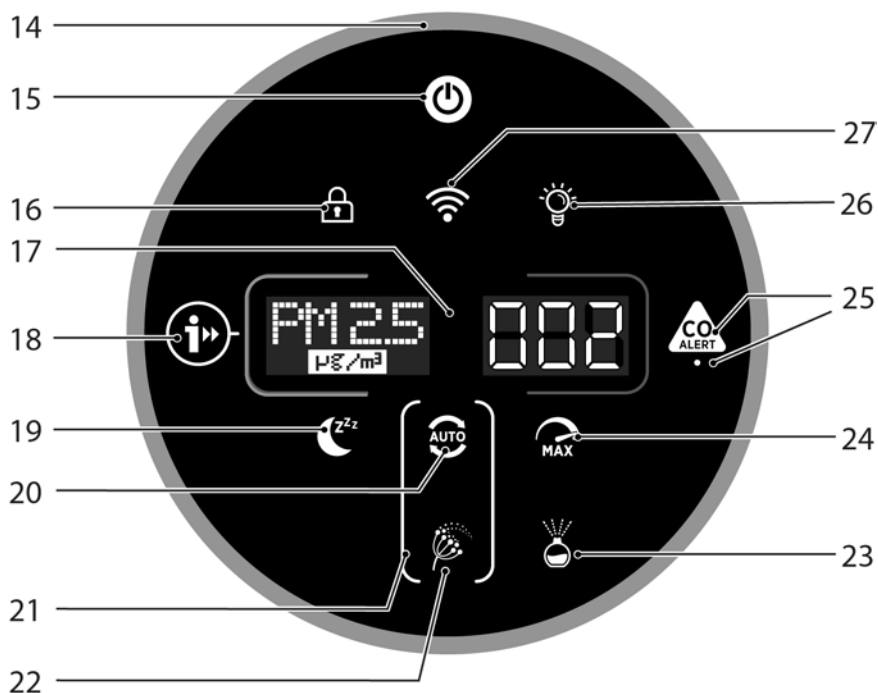
1. GETTING TO KNOW YOUR H-PURIFIER



1	Control Panel / Display
2	Air Outlet
3	Product Carry Handle
4	Filter Assembly
5	Air Inlet Cover Handle
6	Filter Release Switch

7	Air Inlet Cover
8	Diffuser Window
9	Diffuser Cover
10	Diffuser Outlet
11	Diffuser Unit

12	H-Essence Bottle (Green)
13	H-Biotics Bottle (Brown)
14	Power Cord & Plug
15	Storage Hook
16	Transportation Location



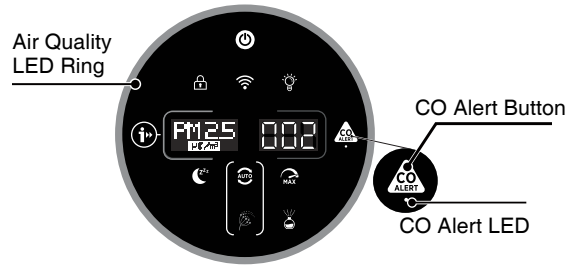
14	Air Quality LED Ring
15	Power Button
16	Child Lock Button
17	Digital Display
18	Information Button
19	Sleep Mode Button
20	Auto Mode Button
21	Pollen Allergy Circle Lamp
22	Pollen Allergy Lamp
23	Diffuser Button
24	Max Mode Button
25	CO Alert Button & LED
26	Light Control Button
27	Wi-Fi Button

**1.1 MULTI SENSOR SYSTEM**

Thanks to the Multi Sensor System your product will continuously monitor the indoor air condition in terms of PM10, PM2.5 and Volatile Organic Compounds (GAS).

Each time you switch your product on, the Multi Sensor System will start analyzing the indoor air quality and the Air Quality LED Ring will illuminate with different colors representing real time air quality conditions.

Air Quality LED Ring Color	Indoor Air Quality	PM 10 value* $\mu\text{g}/\text{m}^3$	PM 2.5 value $\mu\text{g}/\text{m}^3$	GAS VOC Level
GREEN	Excellent	0-50	0-25	L1
YELLOW	Satisfactory	50-80	25-50	L2
ORANGE	Poor	80-160	50-100	L3
RED	Very poor	$\geq 160$	$\geq 100$	L4



\* In Pollen Allergy mode, PM 10 values that trigger the air quality level will be lower to minimize the risk for allergic people.

**1.2 CARBON MONOXIDE (CO) ALERT**

H-Purifier is equipped with an alert system that will constantly monitor the indoor air for Carbon Monoxide (CO).

When the Carbon Monoxide alarm is activated, the AIR Quality LED Ring, Information & CO Alert button will flash red simultaneously and an audible alarm will sound. The alarm will remain in operation until the Carbon Monoxide (CO) concentration has reduced to below 50 ppm unless silenced manually by pressing the CO Alert Button for 3 seconds.

The CO Alert LED shows the working condition of the CO sensor. It appears in green color when the CO sensor is in normal condition, in yellow color when the sensor is malfunctioning or exceeds its working life and in red color when CO alert is activated.

You can test if the alarm is working properly by pressing the CO Alert Button for 3 seconds, a loud buzzer sound will last for 5 seconds if the alarm works properly.

**2. PREPARING YOUR H-PURIFIER**

**2.1 INSTALL THE FILTER [Fig. 1]**

Before using your H-Purifier product you will need to remove the Filter from its protective packaging:

- Remove the Air Inlet Cover from your product, grip the two Air Inlet Cover Handles and pull from the product. [Fig. 1a]
- Remove the plug from the Transportation Location and release the cord from the Storage Hook. [Fig. 1b]
- Unlock the Filter Release Switch. [Fig. 1c]
- Remove the Filter from your product and remove the outer packaging. [Fig. 1d,e]
- Refit the Filter into your product. [Fig. 1f]
- Lock the Filter Release Switch. [Fig. 1g]
- Refit the Air Inlet Cover to your product. [Fig. 1h]

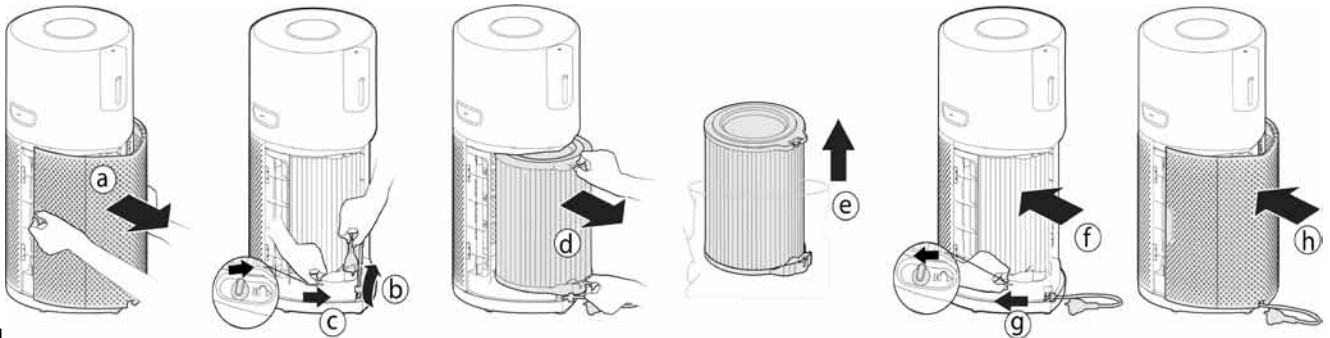


Fig. 1

**2.2 INSTALL THE DIFFUSER BOTTLE [Fig. 2]**

To prepare your H-Purifier product for the Diffuser function:

- Remove the Diffuser Cover from the product. [Fig. 2a]
- Remove the Diffuser Unit from the Diffuser Cover. [Fig. 2b]
- Remove the bottle of H-Essence or H-Biotics from the packaging and remove the cap. [Fig. 2c]
- Preserve the cap for future storage use.
- Tightly screw the bottle on the Diffuser unit. [Fig. 2d]
- Refit the Diffuser Unit into the Diffuser Cover. [Fig. 2e]
- Refit the Diffuser Cover into the product. [Fig. 2f]

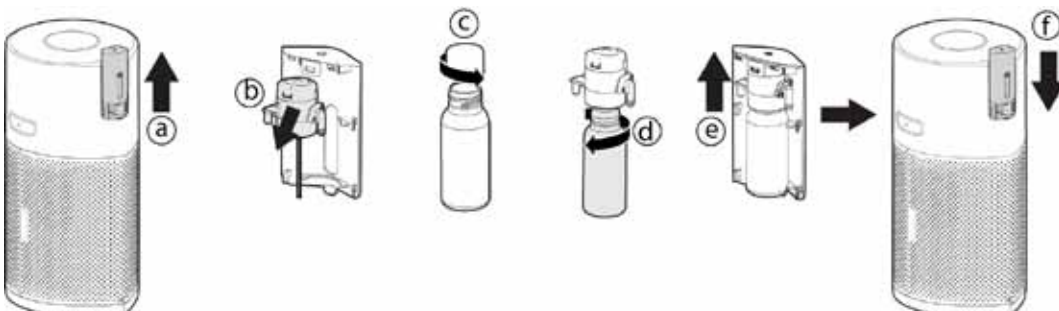


Fig. 2

### 3. USING YOUR H-PURIFIER

#### 3.1 SWITCH ON THE PRODUCT [Fig. 4]:

Pull out the power cord from the cord reel and plug into a power supply.

All lights on the Control Panel / Display will fully illuminate for approximately 1 second to indicate a successful plug in.

The POWER button will be dimly lit and the CO Alert LED will be ON to indicate that the dedicated sensor has started working to monitor the indoor Carbon Monoxide level.

To switch on your product, press the POWER button on the display.

The Air Quality LED Ring will illuminate through all colours in sequence whilst the sensors are analysing the realtime air quality condition. After a few seconds, the Air Quality LED ring will select the appropriate colour for the air quality at that time.

Your H-Purifier product will immediately enter AUTO MODE and begin to purify the indoor air.

The AUTO MODE button, INFORMATION button, LIGHT CONTROL button and PM10 information on the Display will illuminate.



Fig. 4

#### 3.2 CONNECT YOUR H-PURIFIER:

In order to access all the H-Purifiers functions from anywhere, it is suggested to download the hOn App. You will be able to control your product in the most efficient way.

##### Instructions:

1. Download the hOn application from the Apple App Store, Google Play or Huawei App Gallery. You can also download it by scanning the QR code in [Fig. 5]
2. Open the APP, create an account with your e-mail and a password.
3. Confirm and log into the hOn App.
4. Ensure your mobile device is connected to Wi-Fi.
5. Ensure your H-Purifier is switched on. Press and hold the Wi-Fi button on the display for 5 seconds, there will be an audible beep and the Wi-Fi button will start flashing to indicate it is waiting for a connection. [Fig. 6]
6. Follow the in app instructions to connect your mobile device to your product.
7. When successfully paired, the Wi-Fi button on the product will remain illuminated.
8. To reset the Wi-Fi, press & hold the Wi-Fi button for 5 Secs.

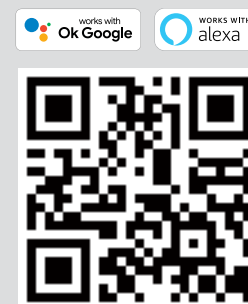


Fig. 5

H-Purifier also works with Hey Google and Amazon Alexa.

#### 3.3 DISCOVER ALL THE FUNCTIONS

##### INFORMATION Function [Fig. 7]:

There are 6 different data sets available to monitor:

PM10, PM2.5, GAS, Temperature, Humidity, and Filter Status.

To monitor each value simply press consecutively the INFORMATION button.

By default the display will show the PM10 data, the machine will remember user's last selection and maintain this selection the next time the product is switched on.

The GAS data will show a spinning cursor during the first 3 minutes after product is switched on, while the GAS sensor is performing a calibration cycle.

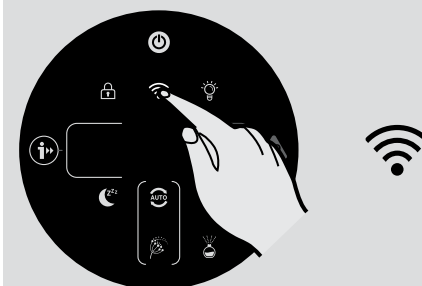


Fig. 6

##### More info on PM 2.5, PM 10 and GAS:

PM indicates fine particles (not visible to the human eye) deriving mainly from outdoor pollution such as vehicles and industrial emissions and potentially dangerous to our health in case of prolonged exposure. PM 10 have a size up to 10  $\mu\text{m}$  and are capable of penetrating the upper respiratory tract (nose, trachea, pharynx).

PM 2.5 have a size up to 2.5  $\mu\text{m}$  and given their small dimension, they can reach our lungs, thus penetrating deeper into our body.

GAS VOC (volatile organic compounds) are volatile chemical compounds with the ability to evaporate easily in the air at room temperature. Deodorants, detergents, glues, adhesives, cosmetics, formaldehyde are just some of the VOCs that could be present in our homes but potentially harmful to our health in case of prolonged exposure.

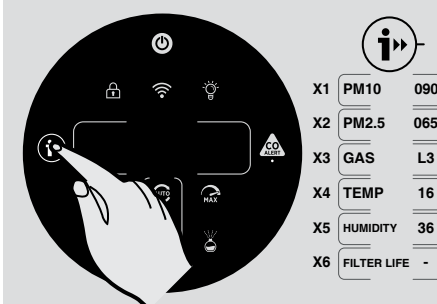


Fig. 7

##### MODE Functions:

There are 3 available air purifying modes : AUTO MODE, MAX MODE & SLEEP MODE.

Auto mode is the default setting for your product when switched on, all modes can be selected manually by pressing the related button on the display.

POLLEN ALLERGY mode can only be activated via the hOn app.

##### AUTO MODE [Fig. 8]:

This is the default mode of your H-Purifier product when first switched on. In Auto Mode, the H-Purifier automatically adjust its fan speed to the actual indoor air quality level to always guarantee an optimal air purification.

This is the recommended setting for your product.

In AUTO mode, after 30 minutes of excellent air quality, your product will enter an ECO mode (Stand-by function) by pausing the purifying function (fan), the Multi Sensor System will continue to analyse the indoor air and automatically switch on the purifying function when required.



Fig. 8

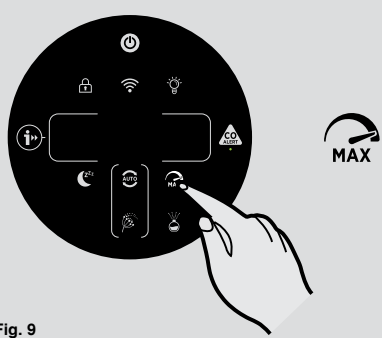


Fig. 9

**MAX MODE [Fig. 9]:**

Press the MAX mode button on the display to activate air purifying at maximum power setting. To exit MAX mode simply select AUTO mode or SLEEP mode.

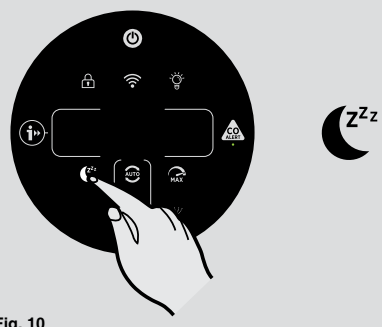


Fig. 10

**SLEEP MODE [Fig. 10]:**

Press the SLEEP mode button to activate air purifying at the lowest silent power setting. The SLEEP mode button will be dimly lit and all other display lights will be off. This can be modified by pressing the LIGHT CONTROL button.

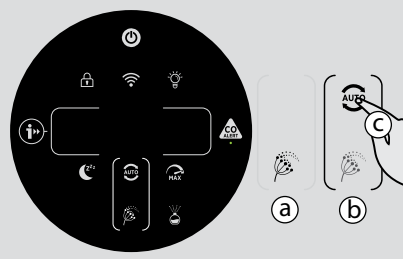


Fig. 11

**POLLEN ALLERGY MODE: [Fig. 11]**

The Pollen Allergy mode can only be activated via the hOn APP. You will first be required to activate and register a profile in the app, in order to create your Pollen Allergy Profile.

The Pollen Allergy mode works only when AUTO MODE is selected. [Fig. 11c]

In Pollen Allergy mode, the appliance continuously receives real time data from the APP about the monitored pollen concentration outdoor, and works automatically to maximize pollen capturing performance.

Once pollens are captured, they are inactivated to help alleviate allergic symptoms.

When Pollen Allergy mode is activated in the App, there are 2 possible notification lamps on the product display:

- The Pollen Allergy Lamp is **WHITE [Fig. 11a]**: The appliance and the App are monitoring the presence of pollens outdoor and there is no risk.

- The Pollen Allergy Lamp turns **YELLOW** and the Pollen Allergy Circle lamp is **WHITE [Fig. 11b]**: The appliance and the APP have detected risk.

If the product is manually put into SLEEP mode or MAX mode whilst Pollen Allergy mode is activated, the Pollen Allergy mode will stop.

**LIGHT CONTROL Function: [Fig. 12]**

There are 3 settings available for the display lighting: On, Dim & Off.

To adjust the brightness of the display simply press the LIGHT CONTROL button on the display to cycle through the 3 available options. ON is the default setting.

If OFF is selected, any other button will need to be pressed twice to activate, after one press, the lights will become DIM, on second press the action will be activated.

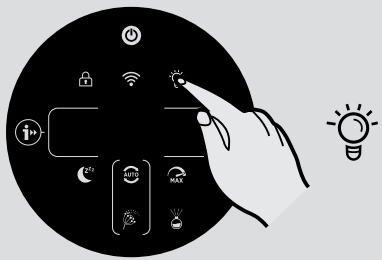


Fig. 12

**CHILD LOCK Function: [Fig. 13]**

Press and hold the CHILD LOCK button for 3 seconds to activate this function, an audible sound will be heard when it has been activated and the CHILD LOCK button will remain illuminated. No other buttons will work when activated.

To exit, simply press and hold the CHILD LOCK button for 3 seconds, an audible sound will be heard confirm it is off and the button will no longer be illuminated.



Fig. 13

**DIFFUSER Function: [Fig. 14]**

The diffuser spreads into the air of the room H-Essence or H-Biotics. H-Essence is the Hoover collection of essential oils to release into the air enjoyable fragrances.

H-Biotics is a natural blend based on probiotics that keeps the room bio-hygenized by inhibiting the growth of microorganisms such as bacteria or microbes.

There are 4 different settings for the DIFFUSER function: SOFT, MEDIUM, CUSTOM & H-BIOTICS. To activate this function simply press the Diffuser button on the Display, the default setting for this function is SOFT, to select any of the other settings simply consecutively press the button to change to the desired selection. The button will illuminate white when switched on.

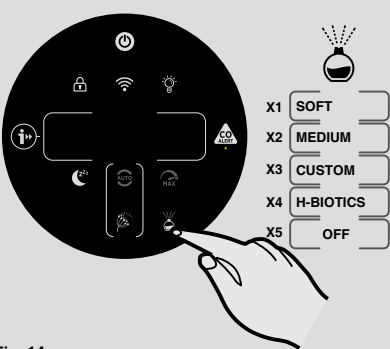


Fig. 14

It is recommended to use SOFT & MEDIUM settings for H-Essence.

CUSTOM setting can only be created on the hOn app.

When using H-Biotics, the setting **MUST** be on H-Biotics. Once user activates H-Biotics using the APP, this will give an alert of "ACTIVATE H-BIOTICS" after 120 hours to ensure the use of H-Biotics every 5 days.

When using H-Essence in certain settings or room environment, the GAS VOC level may change due to the detection of the fragrances. The Diffuser Function only works when the Air Quality LED Ring is on green color, it will pause when the LED Ring is not green and continue working when it gets back to green.

The Diffuser function can only be used in AUTO & MAX modes and cannot be used in SLEEP mode.

When activating the Diffuser function in AUTO mode, the main fan will work with a specific speed to help to spread the H-Essence or the H-Biotics into the room.

Setting	Diffusing Timing	Cycle max duration
SOFT	for 10 sec every 5 min	6 hours
MEDIUM	for 90 sec every 3.5 min	6 hours
CUSTOM	User Defined	6 hours
H-BIOTICS	for 2 min every 4 min	6 hours

## 4. MAINTAINING YOUR H-PURIFIER

### 4.1 FILTER MAINTENANCE

Your H-Purifier will monitor the condition of your filter. A **CLEAN FILTER** or **REPLACE FILTER** alert will blink on the left side of the display indicating action is required to clean or change the filter.

#### Cleaning / Replacing the Filter: [Fig. 15]

- Remove the Air Inlet Cover from your product. [Fig. 15a]
- Unlock the Filter Release Switch. [Fig. 15b]
- Remove the Filter from your product. [Fig. 15c]
- Use a Vacuum Cleaner to clean the external layer of the Filter or Replace with a NEW filter. [Fig. 15d]
- Refit the Filter into the product. [Fig. 15e]
- Lock the Filter Release Switch. [Fig. 15f]
- Refit the Air Inlet Cover to your product. [Fig. 15g]
- Plug in your appliance to the power supply and switch on.
- Press the INFORMATION button to reset the Cleaning/ Replacing alert by holding the button for 3 secs, an audible alert will be heard to indicate a successful reset. [Fig. 7]

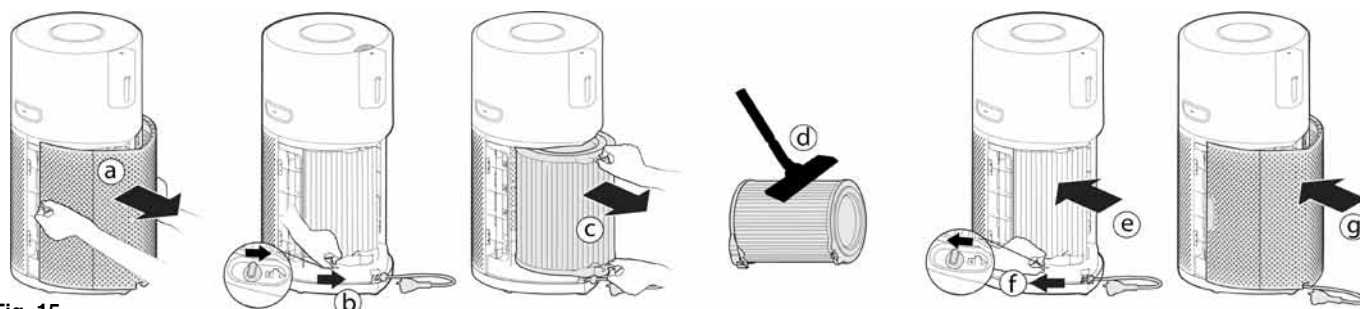


Fig. 15

### 4.2 DIFFUSER MAINTENANCE

After each use of the Diffuser function, use a dry soft cloth to clean any residue from the product surfaces.

#### Diffuser Bottle Replacement: [Fig. 16]

The volume of liquid in the bottle can be checked through the Diffuser Window, when required the bottle should be replaced.

- Remove the diffuser cover from the product. [Fig. 16a]
- Remove the Diffuser Unit & Bottle from the diffuser cover. [Fig. 16b]
- Unscrew & remove the empty bottle. [Fig. 16c]
- Remove the new bottle of H-Essence or H-Biotics from the packaging and remove the cap. [Fig. 16d]
- Tightly screw the new bottle onto the diffuser unit. [Fig. 16e]
- Refit the diffuser unit into the diffuser cover. [Fig. 16f]
- Refit the Diffuser cover into the H-Purifier. [Fig. 16g]

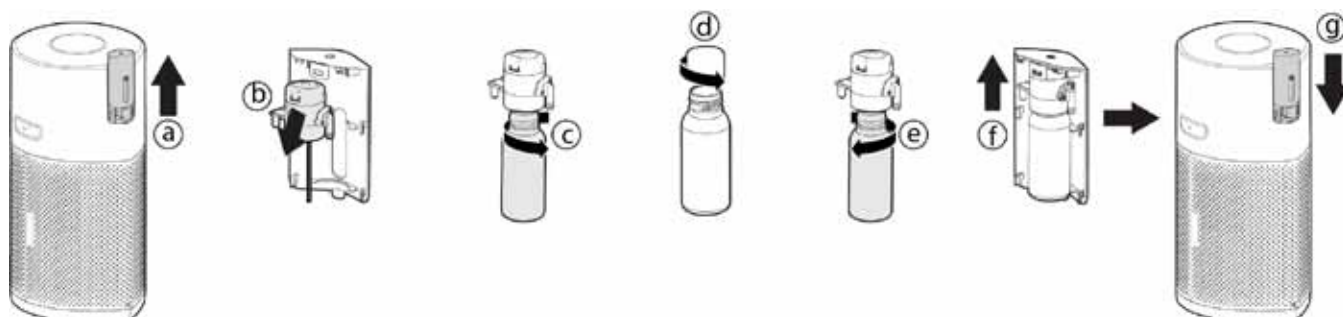


Fig. 16



## 5. STORAGE OF YOUR H-PURIFIER

1. Switch off the H-Purifier and unplug the power cord.
2. Clean all the internal and external surfaces of the H-Purifier and the external layer of the Filter.
3. Remove the bottle from the diffuser. Refit the original cap onto the bottle and store it to protect from direct light. Clean the surfaces of diffuser unit and Diffuser Cover. Make sure there is no residual of H-Essence or H-Biotics on any surface of the H-Purifier.
4. Ensure all components are dry.
5. Remove the Air Inlet Cover [Fig. 17a], reel in the power cord by pulling on the cord [Fig. 17b], fit the cord into the Storage Hook and fit the plug into the Transportation Location. [Fig. 17c,d] Refit the Air Inlet Cover [Fig. 17e]
6. Store the H-Purifier in a cool dry place.

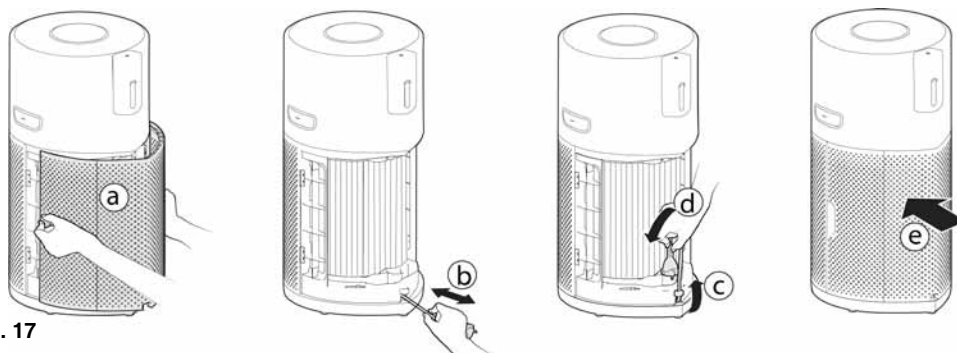


Fig. 17

## 6. ALERTS & SOLUTIONS

The following codes may appear during use. [Fig. 18]

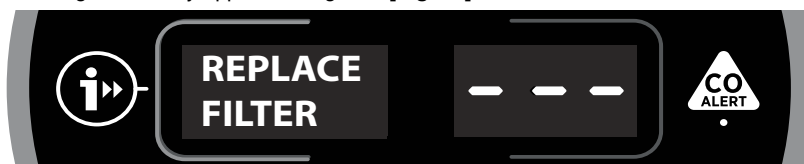


Fig. 18

Alert		Alert Description	Solution
Alert on product	Alert in APP		
"CLEAN FILTER"	Pre-Filter cleaning Alert	Suggest to clean the external layer of the Filter.	1. Clean the external layer of the Filter. 2. Reset the alert by holding INFORMATION button for 3 secs. <b>Refer to 4.1 FILTER MAINTENANCE</b>
"REPLACE FILTER"	Filter replacement Alert	Suggest to replace the Filter.	1. Replace the Filter. 2. Reset the alert by holding INFORMATION button for 3 secs. <b>Refer to 4.1 FILTER MAINTENANCE</b>
"FILTER MISSING"	Error: an error occurred with the air purifier, please check possible solutions	Filter is not in position or is not correctly locked	1. If filter is not present, put it back. 2. If filter is in position, check whether the Filter Release Switch is on LOCK status. <b>Refer to 2.1 INSTALL THE FILTER</b>
"PM SENSOR ERROR"	/	PM sensor malfunctioning	PM sensor failure or sensor wire has not been connected well, please call service center to fix.
CO Alert LED is yellow	Error: an error occurred with the air purifier, please check possible solutions	CO sensor malfunctioning or CO sensor exceeds its working life.	Call service center to fix.
/	Error: an error occurred with the air purifier, please check possible solutions	Motor failure	Motor failure or motor wire has not been connected well, please call service center to fix.
"TEMP. & HUMI. SENSOR ERROR"	/	Temperature and humidity sensor malfunctioning	Temperature and humidity sensor failure or sensor wire has not been connected well, please call service center to fix.
"PAUSE"	/	Diffuser working will pause when Air Quality LED Ring is not green.	No need action. Diffuser working will resume when Air Quality LED Ring is green.

**ATTENTION:** If any of these failures persist, contact your local Hoover representative. DO NOT try to disassemble the H-Purifier by yourself.

## 7. TROUBLESHOOTING

The following is a list of commonly encountered problems and solutions.  
If any of these problems persist contact your local Hoover representative.

The Fan does not work (Control Panel / Display Lights on)	<ul style="list-style-type: none"> <li>• Check the alert showing on the display or in the app. If there is, refer to <b>6. ALERTS AND SOLUTIONS</b>.</li> <li>• Check if there are any obstructions in the fan. If there is, first unplug the product, and clear them, or call service center to clear.</li> <li>• Check if the H-Purifier is switched on.</li> <li>• Check if the Filter is correctly installed and in locked status.</li> <li>• Check if the H-Purifier is in a completely vertical position and not leaning.</li> <li>• The H-Purifier may be in the ECO mode. You could press Sleep Mode Button or Max Mode Button to exit the ECO mode. Refer to <b>3. USING YOUR H-PURIFIER – AUTO MODE</b>.</li> </ul>
The Fan does not work (Control Panel / Display Lights off)	<ul style="list-style-type: none"> <li>• Check if the H-Purifier is plugged in and switched on.</li> <li>• Check the alert showing in the app. If there is, refer to <b>6. ALERTS AND SOLUTIONS</b>.</li> </ul>
No lights on Control Panel / Display (Fan working)	<ul style="list-style-type: none"> <li>• In Sleep Mode, the default lights setting is off. You could press the Light Control Button to turn on the lights.</li> <li>• The lights may be switched off. Press the Light Control Button to turn on the lights. Refer to <b>3. USING YOUR H-PURIFIER – SLEEP MODE / LIGHT CONTROL Function</b>.</li> </ul>
Buttons on the Control Panel do not operate	<ul style="list-style-type: none"> <li>• Child Lock may be activated. You could press and hold the CHILD LOCK button for 3 seconds to exit. Refer to <b>3. USING YOUR H-PURIFIER – CHILD LOCK Function</b>.</li> </ul>
Air flow is weak	<ul style="list-style-type: none"> <li>• Check if the protective packaging has been removed from the filter.</li> <li>• Check if there are any obstructions in the Air Inlet Cover or Air Outlet.</li> <li>• Remove the Air Inlet Cover and check the Filter condition. Clean the external layer or replace the Filter if needed. You could check the Filter Life status in Display by pressing Information Button.</li> <li>• Check if the H-Purifier is in Sleep Mode. The Fan operates at reduced power in this mode.</li> </ul>
H-Purifier is operating loudly	<ul style="list-style-type: none"> <li>• Check if there are any obstructions in the H-Purifier.</li> <li>• Check if the H-Purifier is running in Max Mode. The Fan operates at maximum power in this mode.</li> </ul>
H-Purifier operates loudly suddenly	<ul style="list-style-type: none"> <li>• Check if the H-Purifier is running in Auto Mode and the Air Quality LED Ring is not green. In Auto Mode, the H-Purifier automatically adjust its fan speed to the actual indoor air quality level. Refer to <b>3. USING YOUR H-PURIFIER – AUTO MODE</b>.</li> </ul>
H-Purifier makes a loud buzzer sound all of a sudden	<ul style="list-style-type: none"> <li>• The testing function of CO Alert button is activated by mis-operation. The sound will automatically stop after 5 seconds. Refer to <b>1.2 CARBON MONOXIDE (CO) ALERT</b></li> </ul>

## IMPORTANT INFORMATION

### Hoover Spares and Consumables

Always replace parts with genuine Hoover spares. These are available from your local Hoover dealer or direct from Hoover. When ordering parts always quote your model number.

### Quality

Hoover's factories have been independently assessed for quality. Our products are made using a quality system which meets the requirements of ISO 9001.

### Your Guarantee

The guarantee conditions for this appliance are as defined by our representative in the country in which it is sold. Details regarding these conditions can be obtained from the dealer from whom the appliance was purchased. The bill of sale or receipt must be produced when making any claim under the terms of this guarantee.

Subject to change without notice.

## CONSIGNES GÉNÉRALES DE SÉCURITÉ

Cet appareil est uniquement conçu pour un usage privé, comme décrit dans ce manuel de l'utilisateur. Veuillez à lire et comprendre entièrement ce manuel avant de mettre en marche l'appareil. Conservez le manuel pour l'avenir.

Vérifiez si la tension et les puissances indiquées sur l'étiquette de l'appareil correspondent à la tension d'alimentation locale avant de brancher l'appareil.

Si le cordon d'alimentation est endommagé, arrêtez immédiatement d'utiliser l'appareil. Le cordon d'alimentation doit être remplacé par un technicien de service agréé Hoover afin d'éviter tout danger.

Ne débranchez pas l'appareil en tirant le cordon d'alimentation.

Posez le cordon d'alimentation de façon à ce que personne ne le piétine ou ne trébuche dessus. Il convient de toujours éteindre et débrancher avant de déplacer, nettoyer ou entretenir l'appareil.

Cet appareil peut être utilisé par des enfants âgés d'au moins 8 ans et par des personnes ayant des capacités physiques, sensorielles ou mentales réduites, ou n'ayant pas d'expérience ou de connaissances en la matière. Ces dernières doivent recevoir des instructions sur l'utilisation de l'appareil en toute sécurité et comprendre les risques impliqués. Les enfants ne doivent pas jouer avec l'appareil.

Le nettoyage et l'entretien ne devraient pas être effectués par des enfants sans supervision.

L'appareil n'élimine ni le monoxyde de carbone (CO) ni le radon (Rn). Il ne peut pas être utilisé comme dispositif de sécurité en cas d'accidents avec des processus de combustion ou des produits chimiques dangereux.

Ne continuez pas à utiliser votre appareil s'il semble défectueux.

Ne bloquez pas l'entrée ou la sortie de l'air.

N'enfilez pas vos doigts ou des objets dans la sortie de l'air ou dans l'entrée de l'air pour éviter des blessures ou un dysfonctionnement de l'appareil.

Ne nettoyez pas l'appareil avec de l'eau tout autre liquide ou détergent (inflammable) et ne les laissez pas non plus pénétrer dans l'appareil pour éviter tout risque d'électrocution et/ou d'incendie.

Ne vaporisez pas de produits inflammables comme des insecticides ou des parfumeurs autour de l'appareil.

Cet appareil ne remplace pas une ventilation correcte, un nettoyage régulier avec l'aspirateur ou l'utilisation d'une hotte aspirante ou d'un ventilateur pendant que vous cuisinez.

N'utilisez que les consommables, les filtres et les pièces de rechange recommandés ou fournis par HOOVER.

Assurez-vous que le filtre soit convenablement monté avant d'allumer l'appareil.

Évitez de frapper contre l'appareil (l'entrée et la sortie de l'air en particulier) avec des objets durs.

Gardez l'appareil sec.

N'inclinez ou ne videz jamais l'appareil pendant le fonctionnement.

Quand l'appareil n'est pas utilisé pendant longtemps, des bactéries peuvent proliférer sur les filtres. Vérifiez les filtres après une longue période d'inutilisation. Si les filtres sont très sales, remplacez-les.

Pour assurer l'utilisation sûre et efficace de cet appareil, nous recommandons de n'en confier l'entretien ou les réparations qu'à un réparateur HOOVER agréé.

## ENVIRONNEMENT D'UTILISATION

Placez et utilisez l'appareil uniquement sur une surface sèche, stable et à l'horizontale afin d'éviter le basculement.

Laissez au moins 20 cm d'espace libre derrière et des deux côtés de l'appareil et laissez au moins 30 cm d'espace libre au-dessus de l'appareil.

Pour éviter les interférences, placez l'appareil au moins à 2 m de tout appareil électrique qui utilise les ondes radio aériennes comme les TV, les radios et les horloges radio-pilotées.

Ne placez rien sur l'appareil.

N'utilisez pas cet appareil quand vous avez utilisé des répulsifs pour insectes à fumée intérieure



ou dans des endroits avec des résidus d'huile, de l'encens brûlant ou des fumées chimiques.

Ne mettez pas l'appareil dans un des endroits suivants :

- Sur des surfaces chaudes, à proximité de surfaces chaudes, d'un feu ouvert ou en plein soleil, à proximité d'appareils à gaz, de dispositifs de chauffage ou de cheminées ;
- À côté ou directement au-dessus de radiateurs ou d'évents de climatisation, de portes, de fenêtres, de hottes aspirantes, de cuisinières ou de tout autre endroit où il pourrait être affecté par des courants d'air ;
- Dans une salle de bains ou dans d'autres endroits où le produit peut être exposé à des éclaboussures d'eau, des gouttes ou de la condensation (par exemple, directement sous un climatiseur ou au-dessus d'une bouilloire électrique) ;
- Dans un espace clos (par exemple dans ou sous une armoire);
- Dans une zone où la température pourrait chuter en dessous de -20°C ou monter au-dessus de 50°C;
- Dans une pièce où les changements de température sont importants, dans un environnement humide ou dans un environnement où la température ambiante ou l'humidité sont élevées, comme la salle de bain, les toilettes ou la cuisine ;
- Où il pourrait être obstrué, par exemple par des rideaux ou des meubles;
- Où la saleté ou la poussière peuvent bloquer le capteur.

### INSTRUCTIONS DE SÉCURITÉ DU CO MONITOR

Si l'alerte CO est activée, vous devez ouvrir toutes les fenêtres et les portes (si vous ne courez aucun risque). Éteignez tous les appareils à combustibles si possible et, ensuite, évacuez les lieux en laissant les fenêtres et les portes ouvertes. Demandez de l'aide médicale immédiatement pour toute personne souffrant des effets d'un empoisonnement au monoxyde de carbone.

Ne rentrez pas à nouveau sur les lieux tant que l'alarme est en marche. L'alarme s'arrêtera une fois que le CO aura été éliminé. N'utilisez pas d'appareils à combustible à nouveau jusqu'à ce que la source de CO n'a pas été localisée et remise en ordre par un technicien qualifié.

Évitez d'utiliser de la peinture, des diluants, des fumées de solvants, des désodorisants, des vaporisateurs ou des produits de nettoyage chimiques près de l'appareil. Cela pourrait affecter le fonctionnement du contrôle CO.

Pour activer le contrôle CO, branchez l'appareil à une prise. Le voyant d'alerte LED de CO sera verte. Lorsque le contrôle CO détecte un niveau dangereux de CO, l'alarme CO retentit bruyamment et le bouton d'alerte CO ainsi que l'anneau LED de qualité de l'air clignotent en rouge. L'alarme continue de sonner jusqu'à ce que le CO détecté soit ramené à un niveau sûr.

Touchez le bouton [CO Alert] pendant 3 secondes pour tester la fonction CO Alarm et l'alarme retentira fortement pendant 5 secondes. Testez l'alarme tous les mois et après une longue absence de l'immeuble (par exemple vacances). Si l'alarme ne retentit pas après avoir touché le bouton [CO Alert] pendant 3 secondes, contactez le service clients Hoover pour fixer un rendez-vous avec un technicien qualifié pour réparer l'anomalie.

Si l'affichage indique que le capteur de CO est défectueux ou que la fin de vie a été atteinte, veuillez contacter le centre d'assistance à la clientèle de Hoover pour qu'un technicien qualifié remplace le CO monitor. Le capteur de CO a une durée de vie prévue de 7 ans période après laquelle il doit être remplacé.

Veillez à ce que les enfants ne pressent pas le bouton CO Alert pendant 3 secondes car le bruit de l'alarme pourrait être excessif pour eux.

Humidité de fonctionnement : 15 – 90% RH Température de fonctionnement : 0°C à + 40°C

Le monoxyde de carbone affecte le corps en affamant (étouffant) les organes vitaux en oxygène. Quand le CO est inhalé, il s'attache à l'hémoglobine dans le sang qui, normalement, transporte l'oxygène dans tout le corps. Le CO inhibe en permanence la capacité des molécules d'oxygène de s'attacher à l'hémoglobine en réduisant, ainsi, l'apport d'oxygène aux organes vitaux.

Le niveau de concentration et le temps d'exposition au CO peuvent modifier ses effets sur le corps mais les experts sont tous d'accord sur le fait que même de faibles niveaux d'exposition de monoxyde de carbone pendant des périodes prolongées peuvent avoir des effets graves et durables sur la santé des personnes.

**MISE EN GARDE** : L'ALERTE CO EST CONÇUE POUR PROTÉGER LES INDIVIDUS DES EFFETS GRAVES DE L'EXPOSITION AU MONOXYDE DE CARBONE OU POUR ÉVITER LES EFFETS CHRONIQUES DE L'EXPOSITION AU MONOXYDE DE CARBONE. ELLE NE PRÉSERVERA PAS COMPLÈTEMENT LES INDIVIDUS AYANT DES CONDITIONS MÉDICALES PARTICULIÈRES. EN CAS DE DOUTES, CONSULTEZ UN MÉDECIN.

La fonction de contrôle de CO ne doit pas être utilisée comme, ni implicitement être utilisée comme un substitut à un détecteur de monoxyde de carbone certifié EN 50291-1, UL-2034, CSA-6.19 ou toute autre norme reconnue lorsque les codes locaux ou régionaux ou la législation imposent leur utilisation. La fonction de contrôle de CO est un dispositif supplémentaire de surveillance du monoxyde de carbone uniquement. L'utilisation de ce dispositif est à la discrétion de l'utilisateur et implique la compréhension et l'acceptation de ses limitations pour adhérer aux codes ou aux normes, les cas échéant.

Cet appareil ne doit pas être utilisé comme substitut d'un montage, d'une utilisation et d'un entretien corrects des appareils à combustible y compris une ventilation correcte et des systèmes d'échappement.

Les notifications sur téléphone portable et tablette du CO monitor nécessitent une connexion Wi-fi pour fonctionner. Ils ne se substituent pas à un service de surveillance d'urgence par un tiers.

## INSTRUCTIONS DE SÉCURITÉ DU DIFFUSEUR

Utilisez uniquement l'huile aromatique recommandée ou fournie par HOOVER.

Évitez d'utiliser un humidificateur près du purificateur d'air lorsque vous utilisez la fonction Diffuseur de H-Essence.

Essuyez immédiatement tout déversement d'essence H. Assurez-vous de nettoyer tous les coins de l'appareil qui sont entrés en contact avec la H-Essence.

### Environnement

Cet appareil porte des marques conformes à la directive européenne 2012/19/EU relative aux déchets d'équipements électriques et électroniques (DEEE). Si vous jetez ce produit convenablement, vous contribuerez à éviter des conséquences potentiellement nuisibles pour l'environnement et pour la santé.



Le symbole figurant sur cet appareil indique qu'il ne peut pas être considéré comme une ordure ménagère. Vous devez le déposer dans un centre de recyclage des déchets électriques et électroniques. La déposition doit être effectuée conformément à la réglementation locale en matière de déchets. Pour obtenir des compléments d'information sur le traitement, la récupération et le recyclage de cet appareil, veuillez contacter votre municipalité, le service local d'élimination des ordures ménagères ou le revendeur de l'appareil.

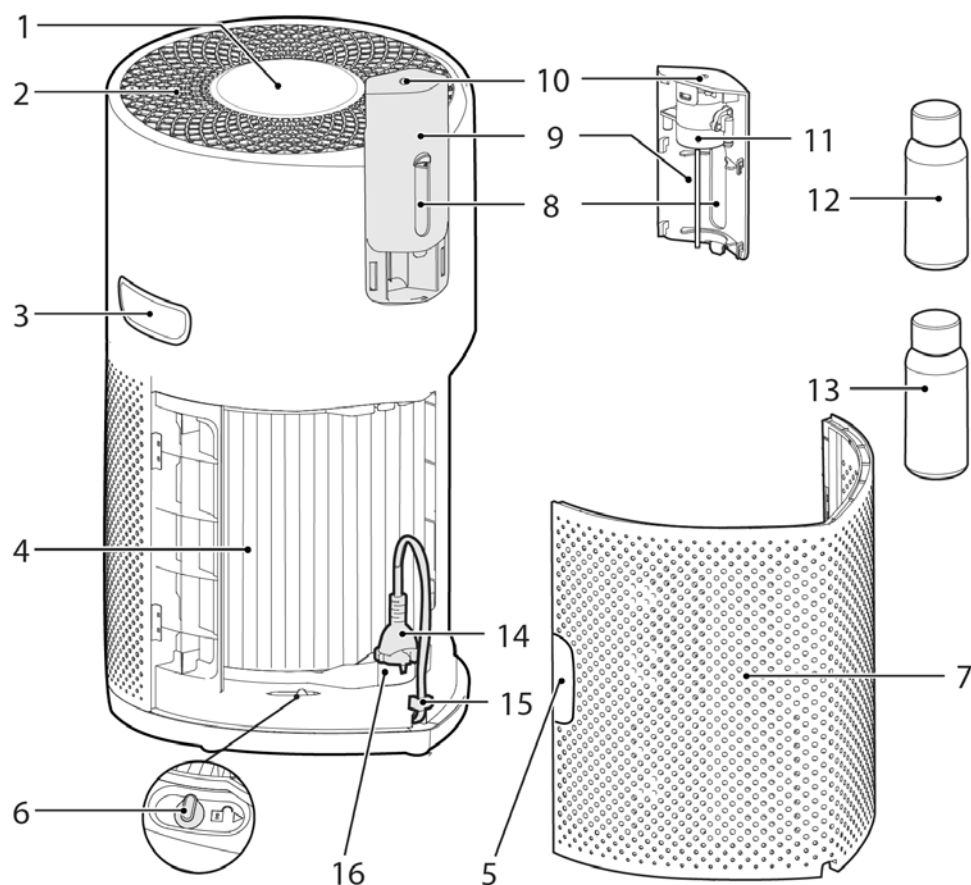
### Paramètres sans fils pour l'appairage

Technologie	Wi-fi	Bluetooth
Standard	IEEE 802.11 b/g/n	Bluetooth v4.2,BLE
Bande(s) de fréquence (MHz)	2401~2483	2402-2480
Puissance maximale (mW)	100	10
Puissance RF maximale transmise sur la bande de fréquence	18.9 dBm	

Par la présente, Candy Hoover Group Srl déclare que l'équipement radio est conforme à la directive 2014/53/UE. Le texte intégral de la déclaration de conformité de l'UE est disponible à l'adresse internet suivante : [www.candy-group.com](http://www.candy-group.com).

CANDY HOOVER GROUP S.r.l. Via Privata Eden Fumagalli, 20861 Brugherio (MB) Italy

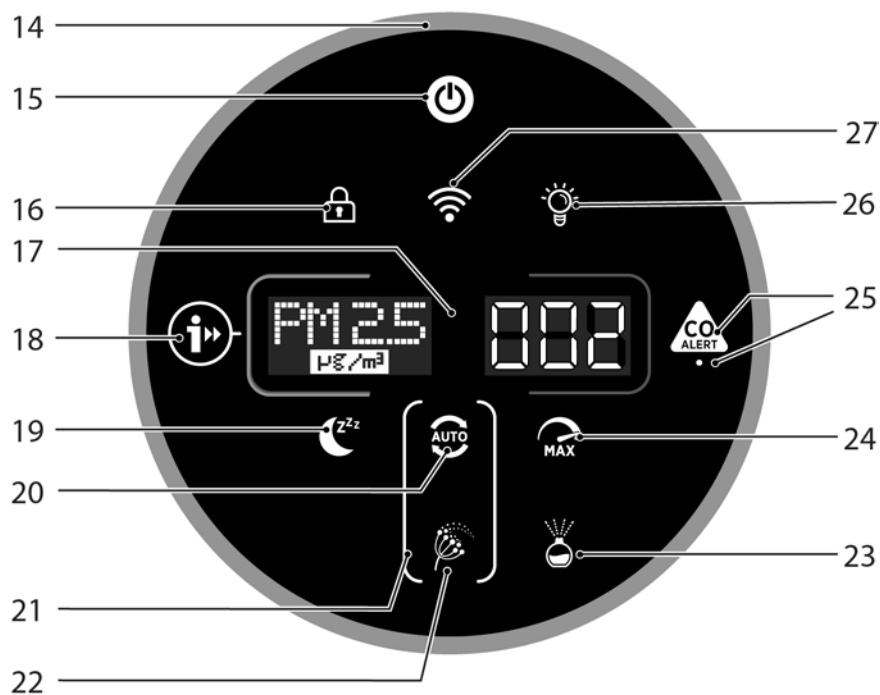
## 1. APPRENEZ À CONNAITRE VOTRE H-PURIFIER



1	Panneau de commande / Ecran
2	Sortie d'air
3	Poignée de l'appareil
4	Ensemble du filtre
5	Poignée du couvercle de l'entrée de l'air
6	Gâchette de détachement du filtre

7	Couvercle de l'entrée de l'air
8	Fenêtre du diffuseur
9	Couvercle du diffuseur
10	Prise du diffuseur
11	Unité du diffuseur

12	Bouteille H-Essence
13	Bouteille H-Biotics
14	Cordon d'alimentation et fiche
15	Crochet de rangement
16	Emplacement de transport



14	Cercle lumineux de qualité de l'air
15	Bouton d'alimentation
16	Bouton Child Lock (sécurité pour enfants)
17	Écran numérique
18	Bouton d'informations
19	Bouton Sleep mode (mode veille)
20	Bouton mode Auto
21	Voyant circulaire pour l'allergie au pollen
22	Voyant pour l'allergie au pollen
23	Bouton diffuseur
24	Bouton mode max
25	Bouton LED Alerte CO
26	Bouton Commande lumière
27	Bouton Wi-Fi

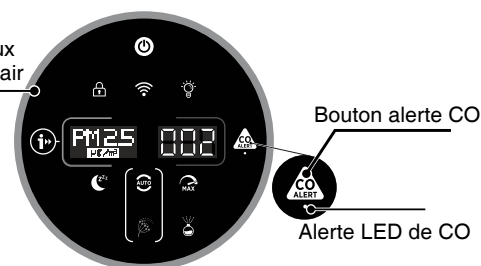
## 1.1 SYSTÈME MULTI-DÉTECTEURS

Grâce au Système multi-détecteurs, votre produit surveille en permanence les conditions de l'air intérieur en matière de PM10, PM2.5 et de Composés Organiques Volatils (GAZ).

Chaque fois que vous allumez votre produit, le Système multi-détecteurs commence à analyser la qualité de l'air intérieur et l'anneau LED de qualité de l'air s'illumine de différentes couleurs représentant les conditions de qualité de l'air en temps réel.

Couleur du cercle lumineux de la qualité de l'air	Qualité de l'air intérieur	Valeur PM 10* $\mu\text{g}/\text{m}^3$	Valeur PM 2.5 $\mu\text{g}/\text{m}^3$	Niveau COV gazeux
VERT	Excellent	0-50	0-25	L1
JAUNE	Satisfaisant	50-80	25-50	L2
ORANGE	Mauvaise	80-160	50-100	L3
ROUGE	Très mauvaise	$\geq 160$	$\geq 100$	L4

Cercle lumineux de qualité de l'air



Bouton alerte CO

Alerte LED de CO

\* En mode Allergie au pollen, les valeurs de PM 10 qui déclenchent le niveau de qualité de l'air seront plus faibles afin de minimiser le risque pour les personnes allergiques.

## 1.2 ALERTE MONOXYDE DE CARBONE (CO)

H-Purifier est équipé d'un système d'alerte qui contrôle en permanence la présence de monoxyde de carbone (CO) dans l'air intérieur.

Quand l'alarme de monoxyde de carbone est activée, le bouton du LED Ring de la qualité de l'air, d'informations et de la CO Alert clignotera en rouge simultanément et une alarme retentira. L'alarme restera active jusqu'au moment où la concentration de monoxyde de carbone (CO) descendra en dessous de 50 ppm à moins qu'elle ne soit arrêtée manuellement en appuyant sur le bouton CO Alert pendant 3 secondes.

Le voyant d'alerte CO indique l'état de fonctionnement du capteur de CO. Il apparaît en vert lorsque le capteur de CO est en état normal, en jaune lorsque le capteur présente un dysfonctionnement ou dépasse sa durée de vie et en rouge lorsque l'alerte CO est activée.

Vous pouvez tester le bon fonctionnement de l'alarme en appuyant sur le bouton CO Alert pendant 3 secondes, un bruit fort retentira pendant 5 secondes si l'alarme fonctionne correctement.

## 2. PRÉPARATION DE VOTRE H-PURIFIER

### 2.1 INSTALLER LE FILTRE [Fig. 1]

Avant d'utiliser votre appareil H-Purifier, vous devez retirer le filtre de son emballage de protection :

- Retirez le Couvercle de l'entrée de l'air de votre appareil, saisissez les deux poignées du couvercle de l'entrée de l'air et extrayez-les de l'appareil. [Fig. 1a]
- Retirez la fiche de l'emplacement de transport et détachez le cordon du crochet de rangement. [Fig. 1b]
- Déverrouillez la Gâchette de détachement du filtre. [Fig. 1c]
- Retirez le filtre de l'appareil et retirez l'emballage extérieur. [Fig. 1d,e]
- Remontez le filtre dans l'appareil. [Fig. 1f]
- Verrouillez la Gâchette de détachement du filtre. [Fig. 1g]
- Remontez le Couvercle de l'entrée de l'air à votre appareil. [Fig. 1h]

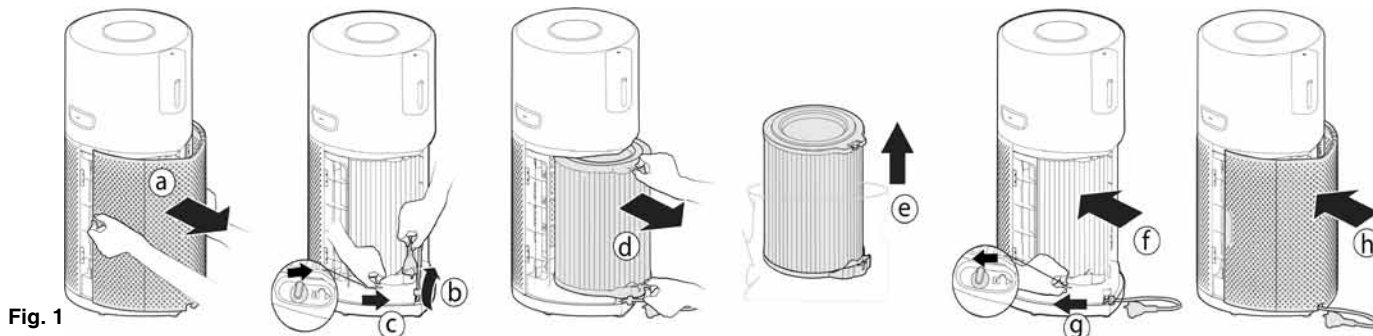


Fig. 1

### 2.2 MONTEZ LA BOUTEILLE DU DIFFUSEUR [Fig. 2]

Pour préparer votre H-PURIFIER pour la fonction Diffuseur :

- Retirez le Couvercle du diffuseur de l'appareil. [Fig. 2a]
- Retirez le diffuseur du couvercle du diffuseur. [Fig. 2b]
- Retirez la bouteille de l'essence H ou des biotiques H de l'emballage et retirez le capuchon. [Fig. 2c]
- Conservez le bouchon pour une utilisation ultérieure.
- Vissez fermement la bouteille sur le diffuseur. [Fig. 2d]
- Remontez le diffuseur dans le couvercle du diffuseur. [Fig. 2e]
- Remontez le Couvercle du diffuseur dans l'appareil. [Fig. 2f]

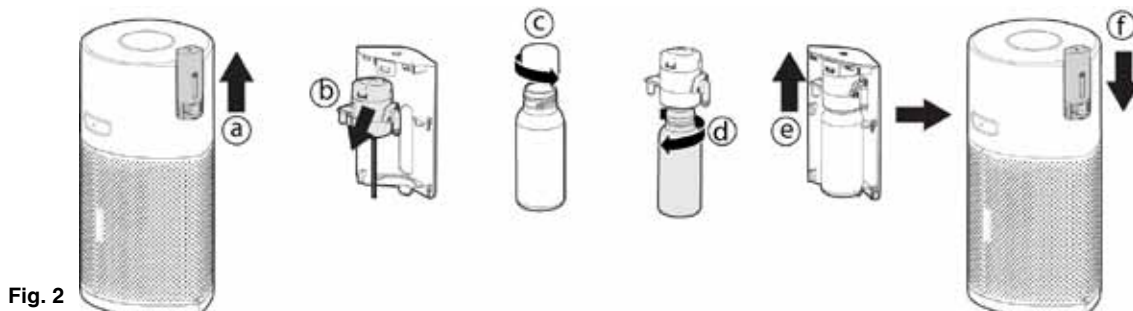


Fig. 2

### 3. UTILISATION DE VOTRE H-PURIFIER

#### 3.1 ALLUMER L'APPAREIL [Fig. 4]:

Sortez le cordon d'alimentation de la bobine de cordon et branchez dans une prise d'alimentation électrique. Tous les voyants sur le panneau de commande / affichage brilleront complètement pendant environ 1 seconde pour indiquer la réussite du branchement.

Le bouton POWER s'allume faiblement et le voyant d'alerte CO s'allume pour indiquer que le capteur dédié a commencé à fonctionner pour surveiller le niveau de monoxyde de carbone intérieur.

Pour allumer l'appareil, appuyez le bouton POWER sur l'écran.

Le cercle lumineux de qualité de l'air s'illuminera de toutes les couleurs en séquence pendant que les capteurs analysent l'état de l'air en temps réel. Après quelques secondes, le cercle lumineux de qualité de l'air sélectionnera la couleur appropriée pour la qualité de l'air en ce moment-là.

Votre H-Purifier se mettra automatiquement en MODE AUTO et commencera à purifier l'air à l'intérieur de la pièce. Le bouton MODE AUTOMATIQUE, le bouton INFORMATIONS, le bouton COMMANDE DE LUMIÈRE et les informations PM10 à l'écran s'illumineront.



Fig. 4

#### 3.2 CONNECTER VOTRE H-PURIFIER :

Pour accéder à toutes les fonctions du H-Purifier depuis n'importe où, il est conseillé de télécharger l'application hOn.

Vous serez en mesure de commander votre appareil de la façon la plus efficace possible.

##### Instructions :

1. Téléchargez l'application hOn sur l'App Store, Google Play ou Huawei AppGallery. Vous pouvez également la télécharger en scannant le code QR dans [Fig. 5]
2. Ouvrez l'application, créez un compte à l'aide de votre e-mail et un mot de passe.
3. Confirmez et connectez-vous à l'application hOn.
4. Assurez-vous que votre dispositif mobile soit connecté au Wi-fi.
5. Assurez-vous que votre H-Purifier est allumé. Appuyez et maintenez enfoncé le bouton Wi-fi sur l'écran pendant 5 secondes, un signal sonore retentira et le bouton Wi-fi commencera à clignoter pour indiquer qu'il est en attente d'une connexion. [Fig. 6]
6. Suivez les instructions présentes dans l'application pour connectez votre dispositif mobile à votre appareil.
7. Quand vous l'avez appairé, le bouton Wi-fi sur l'appareil restera allumé.
8. Pour rétablir le Wi-fi, appuyez et maintenez enfoncé le bouton Wi-fi pendant 5 secondes.

H-Purifier fonctionne aussi avec Hey Google et Amazon Alexa.

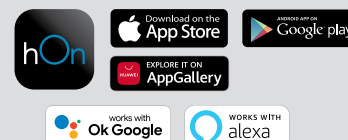


Fig. 5

#### 3.3 DÉCOUVREZ TOUTES SES FONCTIONNALITÉS

##### Fonction INFORMATIONS [Fig. 7]:

Il y a 6 différents groupes de données disponibles à surveiller : PM10, PM2.5, GAZ, Température, Humidité et État du filtre.

Pour surveiller chaque valeur, appuyez tout simplement plusieurs fois sur le bouton INFORMATIONS. Par défaut l'écran affichera les données PM10, l'appareil gardera en mémoire la dernière sélection de l'utilisateur et maintiendra cette sélection à l'allumage suivant de l'appareil.

Les données relatives au GAZ affichent un curseur qui tourne pendant les 3 premières minutes après l'allumage de l'appareil pendant que le capteur de GAZ effectue un cycle d'étalonnage.

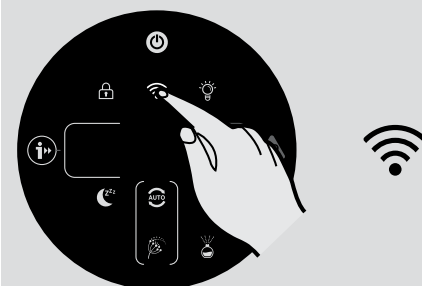


Fig. 6

##### Plus d'informations sur PM 2.5, PM 10 et GAZ :

PM indique des petites particules (non visible à l'œil nu) issues principalement de la pollution provenant de l'extérieur comme les émissions des véhicules et les émissions industrielles et potentiellement dangereuses pour notre santé en cas d'exposition prolongée.

Les PM 10 ont une taille de 10 µm et sont capables de pénétrer dans la partie supérieure des voies respiratoires (nez, trachée, pharynx).

Les PM 2.5 mesure jusqu'à 2,5 µm et, à cause de leur dimensions réduites, elles peuvent atteindre nos poumons en pénétrant, ainsi, plus profondément dans notre corps.

Les VOC (volatile organic compounds - composés organiques volatiles) GAZ sont des composés chimiques volatiles ayant la capacité de s'évaporer facilement dans l'air à la température de la chambre. Les déodorants, les détergents, les colles, les adhésifs, les produits cosmétiques, la formaldéhyde sont seulement certains des VOC qui pourraient être présents dans vos maisons et qui sont potentiellement nocifs pour notre santé en cas d'exposition prolongée.

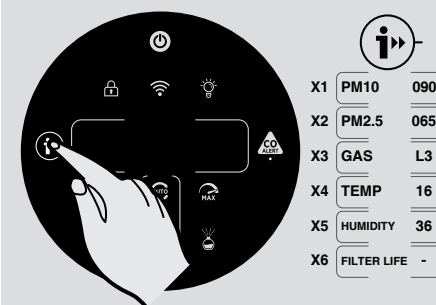


Fig. 7

##### Fonctions MODE :

3 modes de purification de l'air sont disponibles : MODE AUTOMATIQUE, MODE MAX ET MODE SOMMEIL.

Le mode Auto est le paramètre par défaut pour votre appareil au moment de l'allumer, tous les modes peuvent être sélectionnés manuellement en appuyant sur le bouton correspondant sur l'écran.

Le mode ALLERGIES POLLEN peut également être activé via l'app hOn.

##### MODE AUTO [Fig. 8]:

Il s'agit du mode par défaut de votre H-Purifier quand vous l'allumez pour la première fois. En mode Automatique, le H-Purifier règle automatiquement la vitesse du ventilateur sur la base du niveau de qualité de l'air interne pour garantir toujours une purification optimale de l'air.

Il s'agit du paramètre recommandé pour votre appareil. En mode AUTOMATIQUE, après 30 minutes d'excellente qualité de l'air, votre produit passe en mode ECO (fonction veille) en mettant en pause la fonction de purification (ventilateur), le Système multi-détecteurs continue à analyser l'air intérieur et active automatiquement la fonction de purification lorsque cela est nécessaire.



Fig. 8



Fig. 9

**MODE MAX [Fig. 9]:**

appuyez sur le bouton MAX MODE sur l'écran pour activer la purification de l'air au paramètre de puissance maximale. Pour sortir du mode MAX, sélectionnez tout simplement le mode AUTO ou NUIT.

**MODE NUIT [Fig. 10]:**

appuyez sur le bouton MODE NUIT pour activer la purification de l'air au paramètre de puissance silencieuse le plus bas. Le bouton MODE NUIT sera faiblement éclairé et tous les autres voyants de l'écran seront éteints. Ceci peut être modifié en appuyant le bouton COMMANDE DE LUMIÈRE.

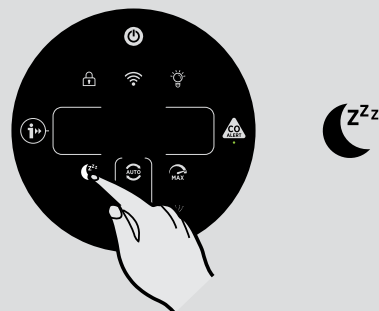


Fig. 10

**MODE ALLERGIES POLLEN : [Fig. 11]**

Le mode Allergies Pollen peut également être activé via l'app hOn. Vous devrez tout d'abord activer et enregistrer un profil dans l'application de façon à créer votre profil allergique.

Le mode Allergies Pollen fonctionne uniquement quand le MODE AUTO est sélectionné. [Fig. 11c]

En mode Allergies Pollen, l'appareil reçoit continuellement des données en temps réel de l'application sur la concentration de pollen détectée à l'extérieur et fonctionne automatiquement pour maximiser les performances de capture du pollen.

Une fois les pollens capturés, ils sont inactivés pour aider à soulager les symptômes de l'allergie.

Quand le mode Allergies Pollen est activé dans l'application, il y a 2 voyants de notification possibles sur l'écran de l'appareil :

- Le voyant Allergies Pollen est **BLANC** [Fig. 11a]: L'appareil et l'application surveillent la présence de pollens à l'extérieur et il n'y a pas de risques.

- Le voyant Allergies Pollen devient **JAUNE** et le Voyant circulaire Allergies Pollen est **BLANC** [Fig. 11b]: L'appareil et l'application ont détecté des risques.

Si l'appareil est mis manuellement en mode SLEEP ou MAX pendant que le mode Allergies Pollen est activé, le mode Allergies Pollen s'arrêtera.

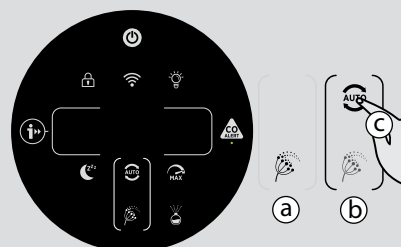


Fig. 11

**Fonction COMMANDE LUMIÈRE : [Fig. 12]**

Il y a 3 paramètres disponibles pour l'éclairage de l'écran : On, Dim et Off

Pour ajuster la luminosité de l'éclairage de l'écran, appuyez simplement sur le bouton COMMANDE DE LUMIÈRE à l'écran pour parcourir les 3 options disponibles. ON est le paramètre par défaut.

Si OFF est sélectionné, tout autre bouton devra être appuyé deux fois pour être activé, après une pression, les lumières deviendront DIM, après une deuxième pression, l'action sera activée.

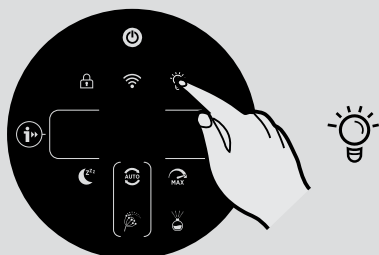


Fig. 12

**Fonction CHILD LOCK : [Fig. 13]**

appuyez et maintenez enfoncé le bouton CHILD LOCK pendant 3 secondes pour l'activer, un signal sonore retentira quand il sera activé et le bouton CHILD LOCK restera allumé. Aucun autre bouton ne fonctionnera si activé.

Pour sortir, appuyez et maintenez enfoncé tout simplement le bouton CHILD LOCK pendant 3 secondes, un signal sonore retentira pour confirmer qu'il est éteint et que le bouton ne sera plus allumé.

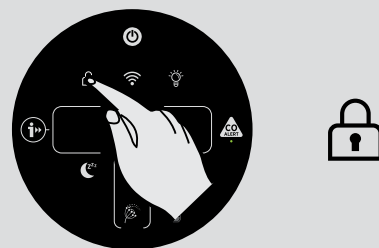


Fig. 13

**Fonction DIFFUSEUR : [Fig. 14]**

Le diffuseur répand dans l'air de la chambre des huiles H-Essence ou des probiotiques H-BIOTICS. H-Essence est la collection d'huiles essentielles de Hoover pour répandre dans l'air des fragrances agréables.

H-Biotics est un mélange naturel basé sur les probiotiques qui gardent la chambre bio-hygiénisée en inhibant la prolifération de micro-organismes comme les bactéries et les microbes.

Il y a 4 différents types de paramètres pour la fonction Diffuseur : SOFT, MEDIUM, CUSTOM et H-BIOTICS. Pour activer cette fonction, il suffit d'appuyer sur le bouton Diffuseur de l'écran. Le réglage par défaut de cette fonction est SOFT, pour sélectionner l'un des autres réglages, il suffit d'appuyer consécutivement sur le bouton pour passer à la sélection souhaitée. Le bouton s'illuminera en blanc quand il sera allumé.

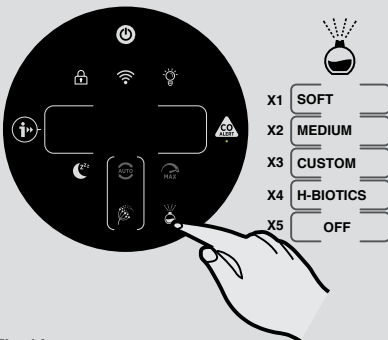


Fig. 14

Il est recommandé d'utiliser les paramètres SOFT et MEDIUM pour H-Essence

Le paramètre personnalisé peut être créé dans l'app hOn.

Quand vous utilisez H-Biotics, le paramètre **DOIT** être réglé sur H-Biotics. Une fois que l'utilisateur active les H-Biotics en utilisant l'application, cela donnera une alerte « ACTIVEZ H-BIOTICS » après 120 heures pour garantir l'utilisation des biotiques H tous les 5 jours.



En utilisant H-Essence dans certaines situations ou dans l'environnement de la pièce, le niveau de gaz COV peut changer en raison de la détection des parfums. La fonction de diffusion ne fonctionne que lorsque l'anneau LED de qualité de l'air est de couleur verte, elle s'interrompt lorsque l'anneau LED n'est pas vert et continue de fonctionner lorsqu'il redevient vert.

La fonction Diffuseur peut uniquement être utilisée en mode AUTO et MAX et ne peut pas être utilisée en mode NUIT.

Quand vous activez la fonction Diffuseur en mode AUTOMATIQUE, le ventilateur principal fonctionnera à une vitesse spécifique pour répandre la H-Essence ou les H-Biotics dans la pièce.

Paramètre	Rythme de diffusion	Durée du cycle max
SOFT	pendant 10 s toutes les 5 min	6 heures
MEDIUM	pendant 90 s toutes les 3,5 min	6 heures
CUSTOM	Défini par l'utilisateur	6 heures
H-BIOTICS	pendant 2 min toutes les 4 min	6 heures

## 4. ENTRETIEN DE VOTRE H-PURIFIÉ

### 4.1 ENTRETIEN DU FILTRE

Votre H-Purifier surveillera l'état de votre filtre. Une alerte NETTOYEZ FILTRE OU REMPLACEZ FILTRE apparaîtra sur le côté gauche de l'écran et clignotera en indiquant l'action nécessaire: nettoyer ou changer le filtre.

**Nettoyer / Remplacer le filtre :** [Fig. 15]

- Retirez le Couvercle d'arrivée d'air de votre appareil. [Fig. 15a]
- Déverrouillez la Gâchette de détachement du filtre. [Fig. 15b]
- Retirez le filtre de votre appareil. [Fig. 15c]
- Utilisez un aspirateur pour nettoyer la couche externe sur l'ensemble filtre ou remplacez-le par un filtre NEUF. [Fig. 15d]
- Remontez le filtre dans l'appareil. [Fig. 15e]
- Verrouillez la Gâchette de détachement du filtre. [Fig. 15f]
- Remontez le Couvercle de l'entrée de l'air à votre appareil. [Fig. 15g]
- Branchez votre appareil à l'alimentation électrique et mettez-le en marche.
- Appuyez sur le bouton INFORMATION pour réinitialiser l'alerte de Nettoyage/Remplacement en maintenant le bouton pendant 3 secondes, une alerte sonore se fera entendre pour indiquer que la réinitialisation a réussi. [Fig. 7]

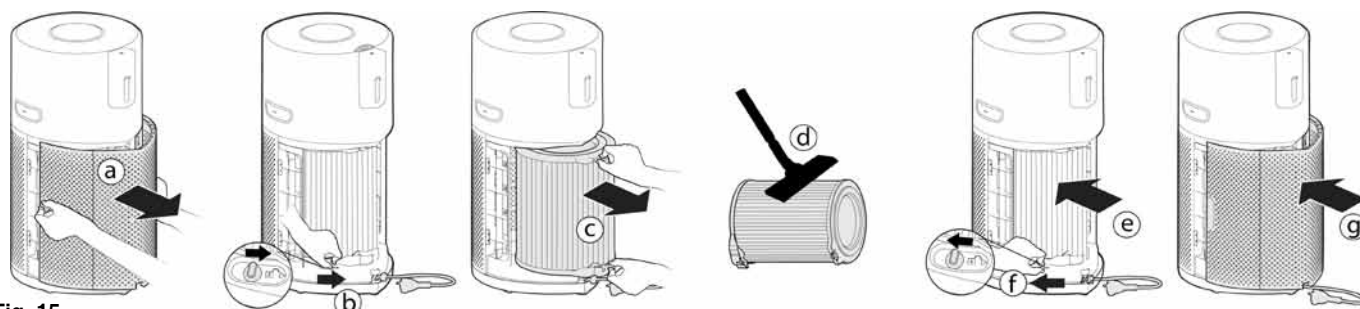


Fig. 15

### 4.2 ENTRETIEN DU DIFFUSEUR

Après chaque utilisation de la fonction Diffuseur, utilisez un chiffon doux et sec pour nettoyer les résidus éventuels des surfaces de l'appareil.

**Remplacement de la bouteille du diffuseur :** [Fig. 16]

Le volume du liquide restant dans la bouteille peut être vérifié à travers la fenêtre du diffuseur quand nécessaire, la bouteille doit être remplacée.

- Retirez le Couvercle du diffuseur de l'appareil. [Fig. 16a]
- Retirez le diffuseur et la bouteille du couvercle du diffuseur. [Fig. 16b]
- Dévisser et retirer la bouteille vide. [Fig. 16c]
- Retirez la nouvelle bouteille H-Essence ou H-Biotics de l'emballage et retirez le capuchon. [Fig. 16d]
- Vissez fermement la nouvelle bouteille sur le diffuseur. [Fig. 16e]
- Remontez le diffuseur dans le couvercle du diffuseur. [Fig. 16f]
- Remontez le Couvercle du diffuseur dans le H-Purifier. [Fig. 16g]

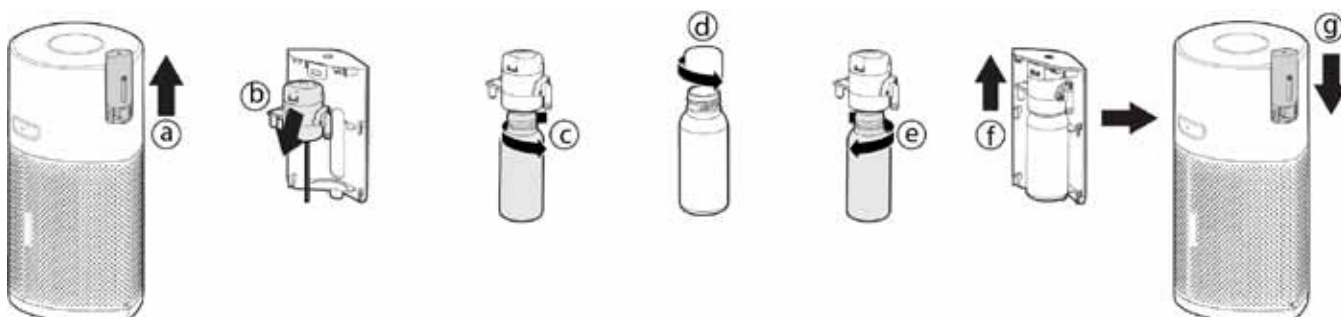


Fig. 16

## 5. STOCKAGE DE VOTRE H-PURIFIER

1. Éteignez le H-Purifier débranchez-le.
2. Nettoyez toutes les surfaces internes et externe du H-Purifier et la couche externe du filtre.
3. Retirez la bouteille du diffuseur. Remontez le capuchon original de la bouteille et stockez-le pour le protéger de la lumière directe. Nettoyez les surfaces du diffuseur et le couvercle du diffuseur. Assurez-vous qu'il n'y a pas de résidu de H-Essence ou H-Biotics sur une surface du H-Purifier.
4. Assurez-vous que tous les composants soient secs.
5. Retirez le couvercle de l'entrée de l'air [Fig. 17a], enroulez le cordon d'alimentation en tirant sur le cordon [Fig. 17b], insérez le cordon dans le crochet de rangement et insérez la fiche dans l'emplacement de transport. [Fig. 17c,d] Remontez la couvercle de l'entrée de l'air. [Fig. 17e]
6. Rangez le H-Purifier dans une pièce fraîche et sèche.

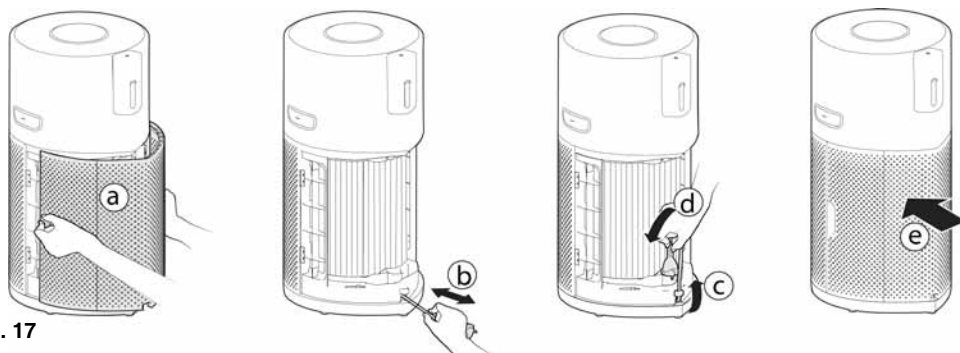


Fig. 17

## 6. ALERTES ET SOLUTIONS

Les codes suivants pourraient apparaître pendant l'utilisation. [Fig. 18]

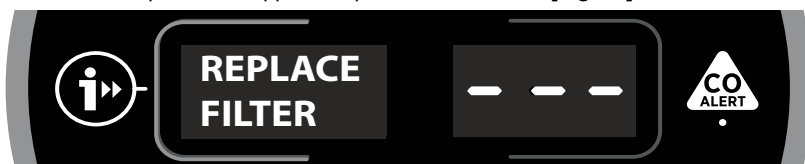


Fig. 18

Alerte		Description des alertes	Solution
Alerte sur l'appareil	Alerte sur l'Application		
« CLEAN FILTER » (« NETTOYEZ FILTRE »)	Alerte Nettoyage du pré-filtre	Suggère de nettoyer la couche externe du filtre.	1. Nettoyer la couche externe du filtre. 2. Réinitialisez l'alerte en maintenant le bouton INFORMATION enfoncé pendant 3 secondes. <b>Référez-vous à la section 4.1 MAINTENANCE DU FILTRE</b>
« REPLACE FILTER » (« REMPLACEZ FILTRE »)	Alerte Remplacement du filtre	Suggère de remplacer le filtre.	1. Remplacer le filtre. 2. Réinitialisez l'alerte en maintenant le bouton INFORMATION enfoncé pendant 3 secondes. <b>Référez-vous à la section 4.1 MAINTENANCE DU FILTRE</b>
« FILTER MISSING » (« FILTRE ABSENT »)	Erreur : une erreur s'est produite avec le purificateur d'air, veuillez vérifier les solutions possibles	Le filtre n'est pas dans la bonne position ou est mal verrouillé	1. Si le filtre n'est pas présent, remettez-le. 2. Si le filtre est en position, vérifiez si la gâchette de détachement du filtre a été mise en état de VERROUILLAGE. <b>Référez-vous à la section 2.1 INSTALLER LE FILTRE</b>
"ERREUR CAPTEUR DE MP"	/	Dysfonctionnement du capteur de PM	Défaillance du capteur MP ou le fil du capteur n'a pas été bien connecté, veuillez appeler le centre de service pour le réparer.
La LED d'alerte CO est jaune	Erreur : une erreur s'est produite avec le purificateur d'air, veuillez vérifier les solutions possibles	Le capteur de CO fonctionne mal ou le capteur de CO dépasse sa durée de vie.	Prière d'appeler le centre d'entretien pour le réparer.
/	Erreur : une erreur s'est produite avec le purificateur d'air, veuillez vérifier les solutions possibles	Moteur défectueux	Moteur défectueux ou fil du moteur non branché correctement, prière d'appeler le centre d'entretien pour le réparer.
"TEMP. ET HUMI. ERREUR CAPTEUR"	/	Dysfonctionnement du capteur de température et d'humidité	Défaillance du capteur de température et d'humidité ou le fil du capteur n'a pas été bien connecté, veuillez appeler le centre de service pour le réparer.
"PAUSE"	/	Le fonctionnement du diffuseur s'interrompt lorsque l'anneau LED de la qualité de l'air n'est pas vert.	Aucune action nécessaire. Le fonctionnement du diffuseur reprend lorsque l'anneau LED de la qualité de l'air n'est pas vert.

**ATTENTION :** En cas de persistance de l'une de ces pannes, contactez votre revendeur ou le service consommateur Hoover. N'essayez pas de démonter le H-Purifier par vous-même.



## 7. DÉPANNAGE

Voici une liste de problèmes rencontrés et leurs solutions.

Si l'un de ces problèmes persiste, contactez votre revendeur ou le service consommateur HOOVER

Le ventilateur ne fonctionne pas (Panneau de commande / Lumières écran allumées)	<ul style="list-style-type: none"> <li>• Vérifiez l'alerte affichée sur l'écran ou dans l'application. Dans le cas contraire, référez-vous à la section <b>6. ALERTES ET SOLUTIONS</b>.</li> <li>• Vérifiez s'il y a des obstructions dans le ventilateur. Si c'est le cas, débranchez d'abord le produit, et nettoyez les obstructions ou appelez le centre de service pour les effacer.</li> <li>• Vérifiez si le H-Purifier est allumé.</li> <li>• Vérifiez si le filtre est mal monté et verrouillé.</li> <li>• Vérifiez que le H-Purifier soit en position verticale et qu'il ne soit pas incliné.</li> <li>• Le H-Purifier pourrait être en mode ECO. Vous pouvez appuyer sur le bouton de Mode Sommeil ou sur le bouton de Mode Maximum pour retirer le mode ECO. Référez-vous à la section <b>3. UTILISER VOTRE H-PURIFIER – MODE AUTO</b>.</li> </ul>
Le ventilateur ne fonctionne pas (Panneau de commande / Lumières écran éteintes)	<ul style="list-style-type: none"> <li>• Vérifiez si le H-Purifier est branché et allumé.</li> <li>• Vérifiez l'alerte affichée dans l'application. Dans le cas contraire, référez-vous à la section <b>6. ALERTES ET SOLUTIONS</b>.</li> </ul>
Pas de voyants sur le Panneau de commande / Ecran (Ventilateur en marche)	<ul style="list-style-type: none"> <li>• En Mode Nuit, les voyants de défaut s'éteignent. Vous pouvez appuyer sur le bouton de contrôle de la lumière pour allumer les lumières.</li> <li>• Les lumières peuvent être éteintes. Appuyez sur le bouton de contrôle de la lumière pour allumer les lumières. Référez-vous à la section <b>3. UTILISER VOTRE H-PURIFIER – MODE NUIT / Fonction COMMANDE LUMIÈRE</b>.</li> </ul>
Les boutons du panneau de commande ne fonctionnent pas	<ul style="list-style-type: none"> <li>• La sécurité enfant (Child Lock) est peut-être activée. Vous pouvez appuyer et maintenir le bouton CHILD LOCK pendant 3 secondes pour la désactiver. Référez-vous à la section <b>3. UTILISER VOTRE H-PURIFIER – Fonction CHILD LOCK</b>.</li> </ul>
Flux d'air faible	<ul style="list-style-type: none"> <li>• Vérifiez si l'emballage de protection a été retiré du filtre.</li> <li>• Vérifiez s'il y a des obstructions dans le couvercle de l'entrée de l'air ou de la sortie de l'air.</li> <li>• Retirez le couvercle de l'entrée d'air et vérifiez l'état du filtre. Nettoyer la couche externe ou remplacez le filtre si nécessaire. Vous pouvez vérifier l'état de la durée de vie du filtre à l'écran en appuyant sur le bouton Information.</li> <li>• Vérifiez si le H-Purifier est en mode sleep. Dans ce mode, le ventilateur fonctionne à puissance réduite.</li> </ul>
Le H-Purifier fait du bruit	<ul style="list-style-type: none"> <li>• Vérifiez s'il y a des obstructions dans le H-Purifier.</li> <li>• Vérifiez si le H-Purifier fonctionne en mode MAX. Dans ce mode, le ventilateur fonctionne à puissance maximale.</li> </ul>
Le H-Purifier fait soudainement du bruit	<ul style="list-style-type: none"> <li>• Vérifiez si le H-Purifier fonctionne en Mode Automatique et que l'anneau LED de la qualité d'air n'est pas vert. En mode Automatique, le H-Purifier règle automatiquement la vitesse du ventilateur sur la base du niveau de qualité de l'air interne. Référez-vous à la section <b>3. UTILISER VOTRE H-PURIFIER – MODE AUTO</b>.</li> </ul>
Le H-Purifier émet un bruit fort tout d'un coup.	<ul style="list-style-type: none"> <li>• La fonction de test du bouton CO Alert est activée par erreur. Le bruit s'arrêtera automatiquement après 5 secondes. Référez-vous à la section <b>1.2 ALERTE MONOXYDE DE CARBONE (CO)</b></li> </ul>

## INFORMATIONS IMPORTANTES

### PIÈCES DÉTACHÉES ET CONSOMMABLES HOOVER

Toujours remplacer les pièces par des pièces détachées de la marque Hoover. Celles-ci sont disponibles auprès de votre revendeur Hoover. Lors de la commande de pièces, veuillez toujours préciser le numéro de votre modèle.

### QUALITÉ

La qualité des usines Hoover a fait l'objet d'une évaluation indépendante.. Nos produits sont fabriqués selon un système de qualité conforme à la norme ISO 9001.

### VOTRE GARANTIE

Les conditions de garantie de cet appareil sont définies par notre représentant dans le pays où il est vendu et peuvent être obtenues auprès de votre revendeur. Les détails concernant ces conditions peuvent être obtenus auprès du revendeur auprès duquel l'appareil a été acheté. La facture d'achat ou le reçu doivent être présentés pour toutes réclamations relevant des conditions de cette garantie.

Ces conditions peuvent être modifiées sans préavis.

## ALLGEMEINE SICHERHEITSHINWEISE

Dieses Gerät sollte, wie in diesem Benutzerhandbuch beschrieben, nur in einem privaten Haushalt verwendet werden. Bevor Sie das Gerät in Betrieb nehmen, stellen Sie sicher, dass Sie dieses Handbuch vollständig verstanden haben und halten Sie es für zukünftiges Nachschlagen bereit. Überprüfen Sie, bevor Sie das Gerät anschließen, ob die auf dem Etikett des Geräts angegebene Spannung dem Nennwert Ihrer Netzspannung entspricht.

Ist das Netzkabel beschädigt, darf das Gerät NICHT mehr benutzt werden. Im Falle eines Defektes, darf das Netzkabel nur durch einen autorisierten Hoover-Kundendiensttechniker ausgetauscht werden.

Ziehen Sie den Stecker nicht aus der Steckdose, indem Sie am Netzkabel ziehen.

Verlegen Sie das Netzkabel derart, dass niemand darauf treten oder darüber stolpern kann.

Schalten Sie, bevor Sie das Gerät bewegen oder reinigen oder Wartungsarbeiten daran durchführen, das Gerät immer aus und ziehen Sie seinen Netzstecker aus der Steckdose.

Dieses Gerät darf von Kindern ab 8 Jahren, sowie körperlich, geistig oder sensorisch behinderten Personen bzw. Personen ohne Erfahrung und Kenntnisse im Gebrauch nur unter Aufsicht oder unter Anleitung für die sichere Benutzung und den damit verbundenen Gefahren benutzt werden. Kinder sollten nicht mit dem Gerät spielen.

Reinigungs- und Wartungsarbeiten dürfen von Kindern nur unter Aufsicht ausgeführt werden.

Das Gerät entfernt kein Kohlenmonoxid (CO) oder Radon (Rn). Es darf nicht als Sicherheitseinrichtung bei Unfällen mit Verbrennungsprozessen und gefährlichen Chemikalien verwendet werden.

Stellen Sie die Verwendung des Gerätes ein, wenn ein Defekt am Gerät vermutet wird.

Blockieren Sie nicht den Lufteinlass oder Luftauslass.

Um Verletzungen oder Fehlfunktionen des Geräts zu vermeiden, stecken Sie niemals Ihre Finger oder Gegenstände in den Luftauslass oder Lufteinlass.

Um Stromschläge und/oder Feuergefahr zu vermeiden, reinigen Sie das Gerät nicht mit Wasser, einer anderen Flüssigkeit oder einem (brennbaren) Reinigungsmittel und lassen Sie diese auch nicht in das Gerät eindringen.

Sprühen Sie keine brennbaren Stoffe wie Insektizide oder Duftstoffe in die Nähe des Geräts.

Dieses Gerät ist kein Ersatz für die richtige Belüftung, regelmäßige Staubsaugerreinigung oder die Verwendung einer Dunstabzugshaube oder eines Ventilators beim Kochen.

Verwenden Sie nur von HOOVER empfohlene oder gelieferte Verbrauchsmaterialien, Filter und Ersatzteile.

Stellen Sie, bevor Sie das Gerät einschalten, sicher, dass der Filter ordnungsgemäß installiert ist. Klopfen Sie nicht mit harten Gegenständen gegen das Gerät (insbesondere auf den Lufteinlass und Luftauslass).

Halten Sie das Gerät trocken.

Kippen oder entleeren Sie das Gerät niemals während des Betriebs.

Wenn das Gerät für eine lange Zeit nicht verwendet wird, können Bakterien auf den Filtern wachsen. Überprüfen Sie die Filter nach einer längeren Zeit der Nichtbenutzung. Wenn die Filter sehr schmutzig sind, ersetzen Sie sie.

Um auf Dauer den sicheren und effizienten Betrieb dieses Gerätes zu gewährleisten, empfehlen wir, Wartungs- und Reparaturarbeiten ausschließlich von einem zugelassenen HOOVER-Kundendienst durchführen zu lassen.

## EINSATZBEREICH

Stellen Sie das Gerät nur auf einer trockenen, stabilen, ebenen horizontalen Oberfläche auf, damit ein Umkippen während des Betriebes ausgeschlossen ist.

Lassen Sie mindestens 20 cm freien Platz hinter und auf beiden Seiten des Geräts und lassen Sie mindestens 30 cm freien Platz über dem Gerät.

Um Störungen zu vermeiden, stellen Sie das Gerät mindestens 2 m von elektrischen Geräten wie Fernseher, Radios oder Funkuhren entfernt auf, die Funkwellen verwenden.

Legen Sie nichts auf das Gerät.

Verwenden Sie dieses Gerät nicht, wenn Sie Insektenschutzmittel in Innenräumen oder an Orten mit öligen Rückständen, brennendem Weihrauch oder chemischen Dämpfen verwendet haben.

Stellen Sie das Gerät nicht an einem der folgenden Orte auf:

- Auf heißen Oberflächen, in der Nähe von heißen Oberflächen, offenem Feuer oder in direktem Sonnenlicht, in der Nähe von Gasgeräten, Heizgeräten oder Kaminen;
- Neben oder direkt über Heizungen oder Lüftungsöffnungen von Klimaanlage, Türen, Fenstern, Dunstabzugshauben, Herden oder überall dort, wo es durch Zugluft beeinträchtigt werden könnte;
- In einem Badezimmer oder in anderen Bereichen, in denen das Produkt Wasserspritzern, Tropfwasser oder Kondenswasser ausgesetzt sein könnte (z. B. direkt unter einer Klimaanlage oder über einem Wasserkocher);
- In einem geschlossenen Raum (z.B. in oder unter einem Schrank);
- In einem Bereich, in dem die Temperatur unter  $-20^{\circ}\text{C}$  fallen oder über  $50^{\circ}\text{C}$  steigen könnte;
- In einem Raum mit großen Temperaturschwankungen, in feuchter Umgebung oder in einer Umgebung mit hohen Umgebungstemperaturen oder hoher Luftfeuchtigkeit, wie z. B. im Bad, in der Toilette oder in der Küche;
- Wo es behindert würde, z.B. durch Vorhänge oder Möbel;
- Wo Schmutz oder Staub den Sensor blockieren könnten.

#### SICHERHEITSHINWEISE CO-MONITOR

Wenn der CO Alarm ausgelöst wird, sollten Sie alle Fenster und Türen öffnen (sofern dies sicher möglich ist). Schalten Sie nach Möglichkeit alle brennenden Haushaltsgeräte aus und verlassen Sie den Raum mit geöffneten Fenstern und Türen. Holen Sie sofortige medizinische Hilfe für alle Personen, die an den Auswirkungen einer Kohlenmonoxidvergiftung leiden. Betreten Sie den Raum erst wieder, wenn der CO Alert nicht mehr besteht. Die Warnung wird aufgehoben, sobald die Kohlenmonoxidkonzentration beseitigt wurde. Verwenden Sie keine mit Flammen betriebenen Haushaltsgeräte mehr, bis die Kohlenmonoxidquelle gefunden und von einem zugelassenen Techniker beseitigt wurde.

Vermeiden Sie die Verwendung von Farbe, Verdüner, Lösungsmittel, Geruchsentferner, Aerosolsprays oder chemische Reinigungsmittel in der Nähe des Geräts. Dies kann die Funktion des CO Monitors beeinträchtigen.

Um den CO Monitor zu aktivieren, stecken Sie den Stecker des Geräts in eine Steckdose. Die CO-Alert-LED leuchtet grün. Wenn der CO Monitor einen gefährlichen Kohlenmonoxidwert feststellt, ertönt die Kohlenmonoxidwarnung laut und die CO Alert-Taste und der Luftqualitäts-LED-Ring blinken rot. Der Alarm ertönt so lange, bis das erkannte Kohlenmonoxid wieder auf ein sicheres Niveau gesunken ist.

Berühren Sie die Taste [CO Alert] für 3 Sekunden, um die Funktion CO Alarm zu überprüfen. Die akustische Warnung wird 5 Sekunden lang ertönen. Testen Sie die Warnung monatlich und nach längerer Abwesenheit vom Gebäude (Z. B. Ferien). Wenn der Warnung 3 Sekunden nach Drücken der [CO Alert]-Taste nicht ertönt, wenden Sie sich bitte an das Hoover-Kundendienstzentrum, um einen qualifizierten Techniker zur Behebung des Fehlers anzufordern. Wenn das Display anzeigt, dass der Kohlenmonoxidsensor defekt ist oder ein Ende der Lebensdauer erreicht wurde, wenden Sie sich bitte an das Hoover-Kundendienstzentrum, um einen qualifizierten Techniker für den Austausch des Kohlenmonoxidsensors anzufordern. Die voraussichtliche Lebensdauer des Kohlenmonoxidsensors beträgt 7 Jahre. Er muss nach Ablauf dieser Zeit ausgetauscht werden.

Lassen Sie kleine Kinder nicht 3 Sekunden lang die CO Alert-Taste drücken, da sie übermäßigem Lärm ausgesetzt sein könnten, wenn der Warnton ertönt.

Betriebsluftfeuchtigkeit: 15 – 90% RH

Betriebstemperatur:  $0^{\circ}\text{C}$  bis  $+40^{\circ}\text{C}$

Kohlenmonoxid beeinflusst den Körper durch ersticken wichtiger Organe aufgrund von Sauerstoffmangel. Wenn Kohlenmonoxid eingeatmet wird, heftet es sich an das Hämoglobin im Blut, das normalerweise Sauerstoff durch den Körper transportiert. Kohlenmonoxid

verdrängt dauerhaft die Fähigkeit von Sauerstoffmolekülen, sich an das Hämoglobin anzuheften, wodurch der Sauerstoff in lebenswichtigen Organen reduziert wird. Die Konzentration und Dauer der Exposition von CO können die Auswirkungen auf den Körper variieren. Experten sind sich jedoch einig, dass auch niedrige Konzentrationen bei einer Exposition von Kohlenmonoxid über längere Zeiträume schwerwiegende und dauerhafte Auswirkungen auf die allgemeine Gesundheit von Menschen haben können.

**WARNUNG: DER CO ALARM SOLL DEN EINZELNEN VOR DEN AKUTEN AUSWIRKUNGEN DER EXPOSITION VON KOHLENMONOXID SCHÜTZEN ODER DIE CHRONISCHEN AUSWIRKUNGEN DER EXPOSITION VON KOHLENMONOXID VERHINDERN. ES WIRD PERSONEN MIT BESTIMMTEN ERKRANKUNGEN NICHT VOLLSTÄNDIG SCHÜTZEN. FRAGEN SIE IM ZWEIFELSFALL EINEN ARZT.**

Die CO Monitor-Funktion darf nicht als Ersatz für eine EN 50291-1, UL-2034, CSA-6.19 oder eine andere anerkannte, zertifizierter CO Alert verwendet werden, wenn örtliche oder regionale Normen oder Rechtsvorschriften ihre Verwendung vorschreiben. Die Funktion CO Monitor ist nur ein zusätzliches Kohlenmonoxid-Überwachungsgerät. Die Nutzung dieses Geräts liegt im Ermessen des Benutzers und impliziert das Verständnis und die Akzeptanz seiner Einschränkungen, um gegebenenfalls Normen oder Gesetze einzuhalten.

Dieses Gerät darf nicht als Ersatz für die ordnungsgemäße Installation, Verwendung und Wartung von mit Flammen betriebenen Haushaltsgeräten, einschließlich geeigneter Lüftungs- und Abgassysteme, verwendet werden.

Die Benachrichtigungen des CO Monitors auf Handys und Tablets erfordern eine funktionierende WLAN-Verbindung. Sie sind kein Ersatz für einen Notfallüberwachungsdienst eines Drittanbieters.

## SICHERHEITSHINWEISE FÜR DEN DIFFUSER

Verwenden Sie nur Aromaöl, das von HOOVER empfohlen oder geliefert wird.

Verwenden Sie keinen freistehenden Luftbefeuchter neben dem Luftreiniger, wenn Sie die Diffusorfunktion mit H-Essence benutzen.

Wischen Sie alle Verschüttungen von H-Essence unverzüglich auf. Reinigen Sie jedes Teil des Geräts, das Kontakt mit H-Essence hatte.

### Umweltschutz

Dieses Elektrohaushaltsgerät ist entsprechend der EU-Richtlinie 2012/19/EU über Elektro- und Elektronik-Altgeräte (WEEE) gekennzeichnet. Durch die sichere und umweltgerechte Entsorgung dieses Produkts tragen Sie dazu bei, mögliche negative Auswirkungen auf die Umwelt und die Gesundheit des Menschen zu verhindern.

Das am Gerät angebrachte Symbol gibt an, dass dieses Gerät nicht als Hausmüll behandelt werden darf, sondern an einer entsprechenden Sammelstelle für das Recycling von elektrischen und elektronischen Geräten zu entsorgen ist. Die Entsorgung ist in Übereinstimmung mit allen geltenden Vorschriften für die umweltgerechte Abfallentsorgung vorzunehmen. Ausführlichere Informationen über die Müllbehandlung und das Recycling dieses Gerätes erhalten Sie von der zuständigen Umweltbehörde, der Müllentsorgungsstelle Ihrer Kommune oder dem Händler, bei dem Sie das Gerät erworben haben.



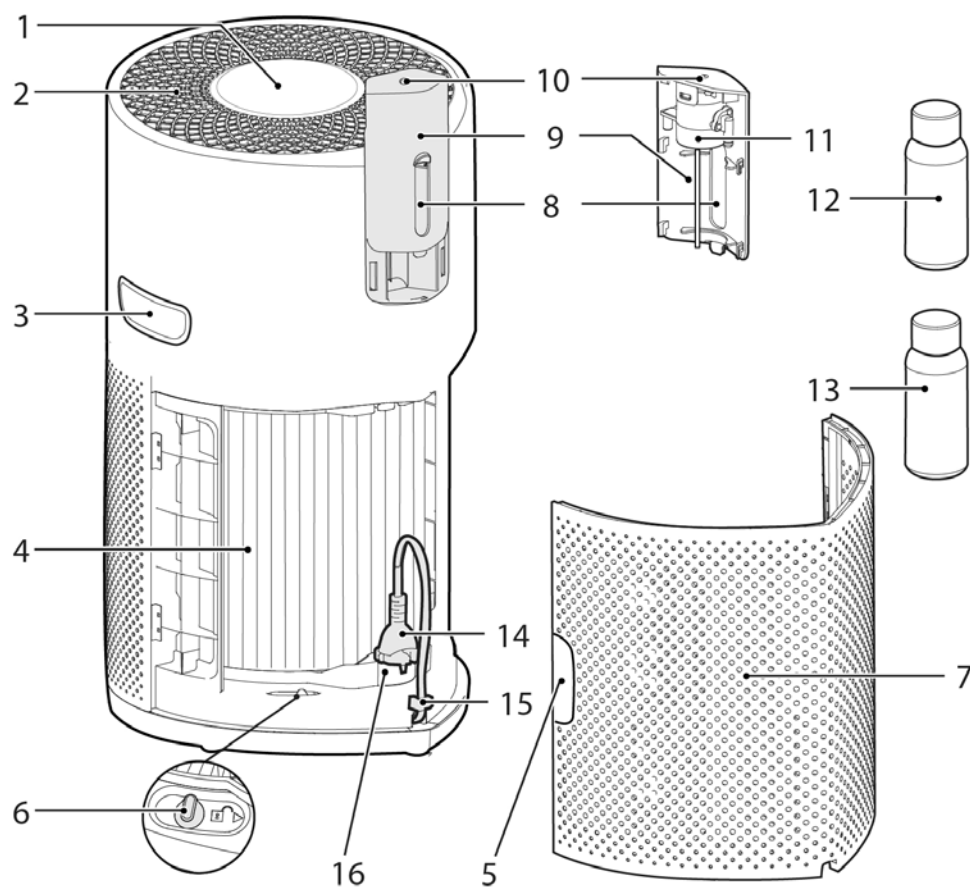
### Drahtlose Parameter für die Kopplung

Technologie	WLAN	Bluetooth
Standard	IEEE 802.11 b/g/n	Bluetooth v4.2, BLE
Frequenzbereich(e) (MHz)	2401~2483	2402~2480
Max. Aufnahmeleistung (mW)	100	10
Maximale HF-Leistung, die im Frequenzband übertragen wird	18.9 dBm	

Hiermit erklärt die Candy Hoover Group Srl, dass die Funkanlage die Richtlinie 2014/53/EU erfüllt. Der vollständige Text der EU-Konformitätserklärung ist unter der folgenden Internetadresse verfügbar: [www.candy-group.com](http://www.candy-group.com)

CANDY HOOVER GROUP S.r.l. Via Privata Eden Fumagalli, 20861 Brugherio (MB) Italy

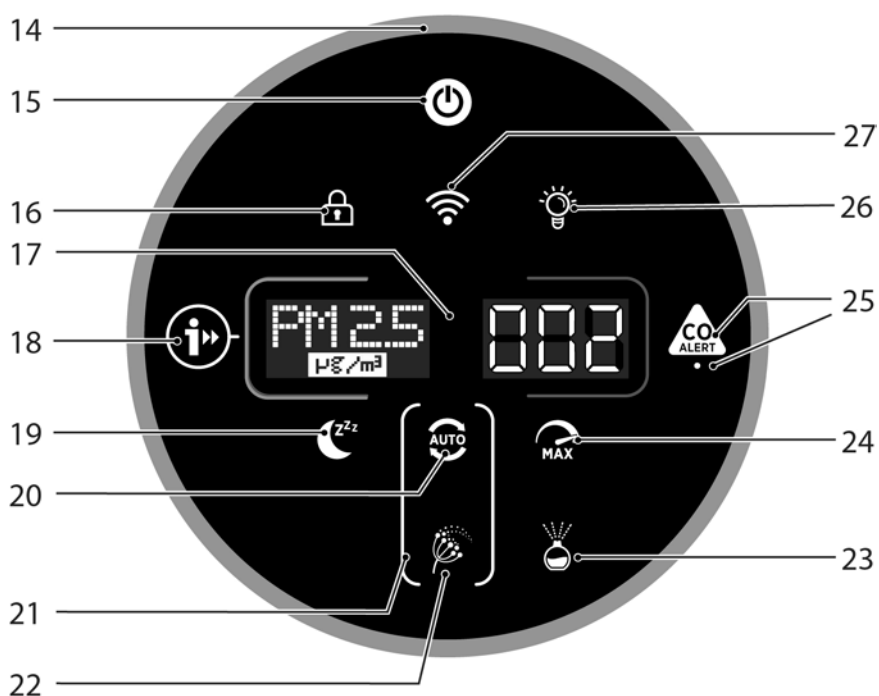
## 1. BEZEICHNUNG DER TEILE IHRES H-LUFTREINIGERS



1	Bedienfeld / Display
2	Luftauslass
3	Tragegriff
4	Filterbaugruppe
5	Griff Lufteinlassabdeckung
6	Filterfreigabetaste

7	Lufteinlassabdeckung
8	Diffusorfenster
9	Diffusorabdeckung
10	Diffusorauslass
11	Diffusoreinheit

12	H-Essence-Flasche
13	H-Biotics-Flasche
14	Netzkabel und Stecker
15	Hängeöse
16	Aufbewahrung



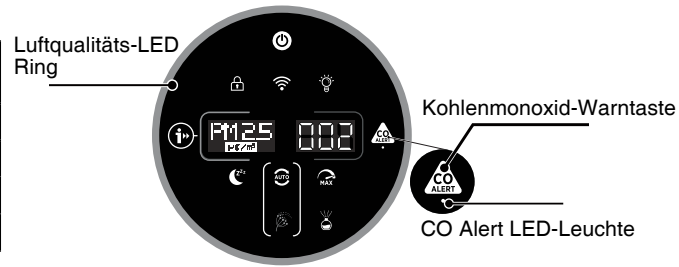
14	Luftqualitäts-LED Ring
15	Ein/Aus-Schalter
16	Taste Kindersicherung
17	Digitale Anzeige
18	Informationstaste
19	Taste Schlafmodus
20	Taste Automatikbetrieb
21	Pollen-Allergie-Ringleuchte
22	Pollen-Allergie-Leuchte
23	Diffusortaste
24	Taste Maximale Leistung
25	CO Alert-Taste und LED-Leuchte
26	Licht-Steuertaste
27	Wi-Fi-Taste

**1.1 MULTISENSORSYSTEM**

Mit Hilfe des Multi-Sensorsystems ist Ihr Gerät in der Lage, kontinuierlich die Raumluftqualität in Bezug auf PM10, PM2,5 und flüchtige organische Verbindungen (GAS) zu überwachen.

Jedes Mal, wenn Sie Ihr Gerät einschalten, beginnt das Multi Sensorsystem mit der Analyse der Raumluftqualität und der Luftqualität-LED-Ring zeigt mit verschiedenen Farben die Luftqualität in Echtzeit an.

Farbe Luftqualitäts-LED Ring	Raumluftqualität	PM 10-Wert* $\mu\text{g}/\text{m}^3$	PM 2,5-Wert $\mu\text{g}/\text{m}^3$	VOC-GAS-Gehalt
GRÜN	Ausgezeichnet	0-50	0-25	L1
GELB	Zufriedenstellend	50-80	25-50	L2
ORANGE	Schlecht	80-160	50-100	L3
ROT	Sehr Schlecht	$\geq 160$	$\geq 100$	L4



\* Im Pollenallergiemodus sind die PM 10-Werte, die die Luftqualitätsstufe auslösen, niedriger, um die Gefahr für Allergiker zu minimieren.

**1.2 KOHLENMONOXID (CO)-WARNUNG**

Der H-Luftreiniger ist mit einem Warnsystem ausgestattet, das die Raumluft ständig auf Kohlenmonoxid (CO) überwacht.

Wenn der CO Alert ausgelöst wird, blinken der LUFT-Qualitäts-LED Ring, die Informations- und CO Alert-Taste gleichzeitig rot und es ertönt ein akustischer Warnton. Der akustische Warnton ertönt, bis die Kohlenmonoxidkonzentration (CO) auf unter 50 ppm reduziert wurde, es sei denn, der Warnton wird manuell durch Drücken der CO Alert-Taste für 3 Sekunden ausgeschaltet.

Die CO Alert-LED zeigt den Arbeitszustand des Kohlenmonoxidsensors an. Er leuchtet grün, wenn der Kohlenmonoxidsensor einwandfrei funktioniert, gelb, wenn der Sensor defekt ist oder seine Lebensdauer überschreitet und rot, wenn eine Kohlenmonoxidwarnung ausgelöst wird. Sie können testen, ob der Alarm richtig funktioniert. Drücken Sie hierzu die Kohlenmonoxid-Warntaste für 3 Sekunden. Wenn der Alarm richtig funktioniert, wird für mindestens 5 Sekunden ein lauter Warnton ertönen.

**2. VORBEREITUNG IHRES H-LUFTREINIGERS**

**2.1 DEN FILTER INSTALLIEREN [Abb. 1]**

Bevor Sie Ihren H-Luftreiniger verwenden, müssen Sie den Filter aus seiner Schutzverpackung entfernen:

- Entfernen Sie die Lufteinlassabdeckung aus Ihrem Gerät. Ergreifen Sie die beiden Lufteinlassabdeckungsgriffe und ziehen Sie sie vom Gerät. [Abb. 1a]
- Ziehen Sie den Stecker aus der Aufbewahrung und wickeln Sie das Kabel vom Kabelhaken ab. [Abb. 1b]
- Entriegeln Sie die Filterfreigabetaste. [Abb. 1c]
- Nehmen Sie den Filter aus Ihrem Gerät und entfernen Sie die äußere Verpackung. [Abb. 1d,e]
- Setzen Sie den Filter wieder in Ihr Gerät ein. [Abb. 1f]
- Verriegeln Sie die Filterfreigabetaste. [Abb. 1g]
- Setzen Sie die Lufteinlassabdeckung wieder in Ihr Gerät ein. [Abb. 1h]

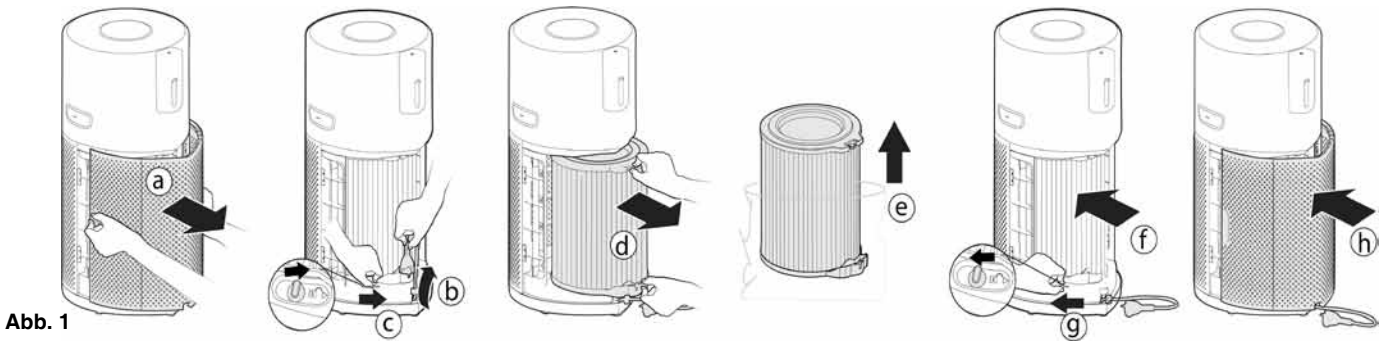


Abb. 1

**2.2 BEFESTIGEN SIE DIE DIFFUSORFLASCHE [Abb. 2]**

Ihren H-Luftreiniger für die Diffusorfunktion vorbereiten:

- Nehmen Sie die Diffusorabdeckung vom Gerät ab. [Abb. 2a]
- Nehmen Sie die Diffusoreinheit aus der Diffusorabdeckung. [Abb. 2b]
- Nehmen Sie die Flasche H-Essence oder H-Biotics aus der Verpackung und nehmen Sie die Kappe ab. [Abb. 2c]
- Bewahren Sie die Kappe für eine spätere Verwendung auf.
- Schrauben Sie die Flasche fest auf der Diffusoreinheit. [Abb. 2d]
- Setzen Sie die Diffusoreinheit wieder in die Diffusorabdeckung ein. [Abb. 2e]
- Setzen Sie die Diffusorabdeckung wieder in das Gerät ein. [Abb. 2f]

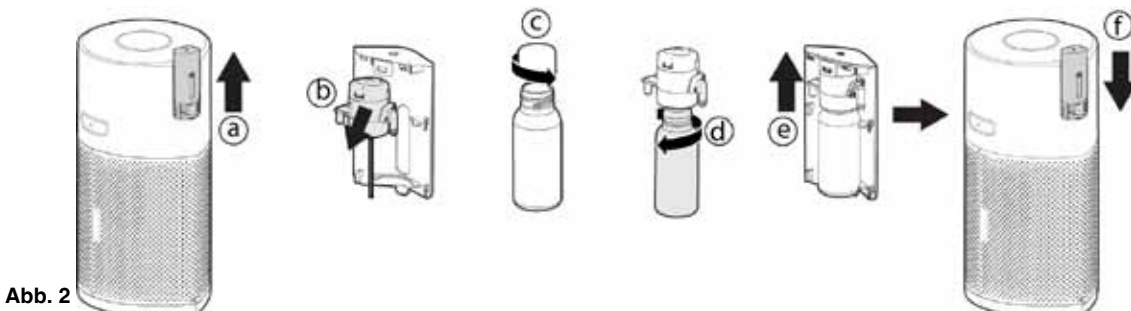


Abb. 2

### 3. GEBRAUCH IHRES H-LUFTREINIGERS

#### 3.1 EINSCHALTEN DES GERÄTS [Abb. 4]:

Ziehen Sie hierzu das Netzkabel aus der Kabelrolle und stecken Sie den Stecker in eine Steckdose. Alle Leuchten auf dem Bedienfeld / Display leuchten ca. 1 Sekunde, um anzuzeigen, dass der Stecker erfolgreich in die Steckdose eingesteckt wurde.

Die EIN-/AUS-Taste wird schwach leuchten und die CO-Warn-LED leuchtet, was bedeutet, dass der spezielle Sensor mit der Überwachung der Kohlenmonoxidkonzentration im Innenraum begonnen hat.

Um Ihr Gerät einzuschalten, drücken Sie die EIN-/AUS-Taste auf dem Display.

Der Luftqualitäts-LED Ring leuchtet nacheinander in allen Farben, während die Sensoren die Luftqualität in Echtzeit analysieren. Nach einigen Sekunden leuchtet der Luftqualitäts-LED Ring in der entsprechenden Farbe für die momentane Luftqualität auf.

Ihr H-Luftreiniger wird sofort in den AUTOMATIKBETRIEB schalten und mit der Reinigung der Raumluft beginnen. Die Tasten AUTOMATIKBETRIEB, INFORMATION, LICHTSTEUERUNG und die PM10-Informationen werden auf dem Display leuchten.

#### 3.2 IHREN H-LUFTREINIGER ANSCHLIESSEN:

Um von überall auf alle H-Luftreiniger-Funktionen zugreifen zu können, wird empfohlen, die App hOn herunterzuladen. Hiermit werden Sie in der Lage sein, Ihr Gerät auf die effizienteste Weise zu steuern.

##### Anweisungen:

1. Laden Sie die App hOn aus dem App Store, von Google Play oder der Huawei AppGallery herunter. Sie können sie auch durch Scannen des QR-Codes in [Abb. 5] herunterladen.
2. Öffnen Sie die APP, erstellen Sie ein Konto mit Ihrer E-Mail-Adresse und einem Passwort.
3. Bestätigen Sie und melden Sie sich bei der App hOn an.
4. Stellen Sie sicher, dass Ihr Mobilgerät mit dem WLAN verbunden ist.
5. Stellen Sie sicher, dass Ihr H-Luftreiniger eingeschaltet ist. Halten Sie die WLAN-Taste auf dem Display für 5 Sekunden gedrückt, es wird ein hörbarer Piepton erzeugt und die WLAN-Taste beginnt zu blinken, um anzuzeigen, dass sie auf eine Verbindung wartet. [Abb. 6]
6. Folgen Sie den Anweisungen in der App, um Ihr Mobilgerät mit Ihrem Gerät zu verbinden.
7. Wenn sie erfolgreich verbunden sind, leuchtet die WLAN-Taste am Gerät kontinuierlich.
8. Um das WLAN zurückzusetzen, drücken Sie die WLAN-Taste für 5 Sekunden.

Der H-Luftreiniger funktioniert auch mit Hey Google und Amazon Alexa.

#### 3.3 ENTDECKEN SIE ALLE FUNKTIONEN

##### Funktion INFORMATIONEN [Abb. 7]:

Für die Überwachung stehen 6 verschiedene Datensätze zur Verfügung:

PM10, PM2.5, GAS, Temperatur, Luftfeuchtigkeit und Filterstatus.

Um jeden einzelnen Wert zu überwachen, drücken Sie einfach nacheinander die Taste INFORMATIONEN. Standardmäßig zeigt die Anzeige die PM10-Daten an, wobei sich das Gerät die letzte Auswahl des Benutzers merkt und diese bis zum nächsten Einschalten des Geräts beibehält.

Die GAS-Daten zeigen während der ersten 3 Minuten nach dem Einschalten des Geräts, in denen der GASSENSOR einen Kalibrierungszyklus durchführt, einen drehenden Cursor an.

##### Weitere Informationen über PM 2,5, PM 10 und GAS:

PM bedeutet feine Partikel (für das menschliche Auge nicht sichtbar), die hauptsächlich von Außenverschmutzungen wie Kraftfahrzeugen und Industrieemissionen stammen und bei längerer Exposition potenziell gefährlich für unsere Gesundheit sind.

PM 10 bedeutet eine Größe von bis zu 10 µm. Diese Partikel sind in der Lage, in die oberen Atemwege (Nase, Luftröhre, Rachen) einzudringen.

PM 2,5 bedeutet eine Größe von bis zu 2,5 µm. Diese Partikel können aufgrund ihrer geringen Größe Ihre Lunge erreichen und so tiefer in Ihren Körper eindringen.

GAS VOC (flüchtige organische Verbindungen) sind flüchtige chemische Verbindungen mit der Fähigkeit, leicht in der Luft bei Raumtemperatur zu verdampfen. Deodorants, Reinigungsmittel, Klebstoffe, Kosmetika, Formaldehyd sind nur einige der flüchtigen organischen Verbindungen (VOCs), die in unseren Wohnräumen vorhanden sein könnten. Sie können im Falle einer längeren Exposition für unsere Gesundheit schädlich sein.

##### BETRIEBSARTEN:

Es stehen 3 Luftreinigungsmodi zur Verfügung: AUTOMATIKBETRIEB, MAXIMALE LEISTUNG & SCHLAFMODUS. Der Automatikbetrieb ist, wenn Ihr Gerät eingeschaltet wird, die Standardeinstellung. Alle Betriebsarten können manuell durch Drücken der entsprechenden Taste auf dem Display ausgewählt werden. Der Modus POLLENALLERGIE kann auch über die App hOn eingeschaltet werden.

##### AUTO MODUS [Abb. 8]:

Dies ist der Standardmodus Ihres H-Luftreinigers beim ersten Einschalten. Im Auto Modus passt der H-Luftreiniger seine Gebläsedrehzahl automatisch an die tatsächliche Raumluftqualität an, um eine optimale Luftreinigung zu gewährleisten. Dies ist die empfohlene Einstellung für Ihr Gerät.

Im AUTOMATIK-Betrieb wird Ihr Gerät nach 30 Minuten mit ausgezeichneter Luftqualität in den ECO-Modus (Stand-By-Funktion) umgeschaltet. Dabei pausiert die Reinigungsfunktion (Gebläse), wobei das Multi-Sensorsystem weiterhin die Raumluft analysiert und bei Bedarf automatisch die Reinigungsfunktion einschaltet.



Abb. 4



Abb. 5

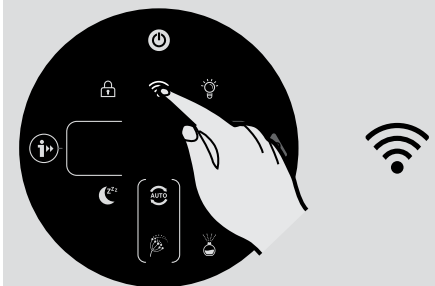


Abb. 6

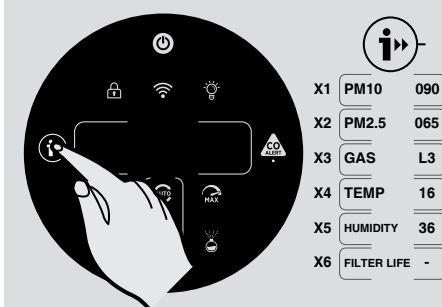


Abb. 7

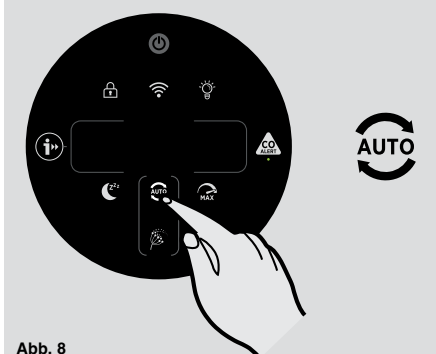


Abb. 8



**MAXIMALE LEISTUNG [Abb. 9]:**

Drücken Sie die Taste MAXIMALE LEISTUNG auf dem Display, um die Luftreinigung bei maximaler Leistungseinstellung zu aktivieren. Um den Betrieb mit MAXIMALER LEISTUNG zu beenden, wählen Sie einfach den AUTOMATIKBETRIEB oder SCHLAFMODUS aus.

**SCHLAFMODUS [Abb. 10]:**

Drücken Sie die TASTE SCHLAFMODUS, um eine leise Luftreinigung bei der niedrigsten Leistungsstufe zu aktivieren. Die Taste SCHLAFMODUS leuchtet schwach und alle anderen Anzeigeleuchten sind ausgeschaltet. Dies kann durch Drücken der LIGHT-STEUERTASTE geändert werden.

**POLLENALLERGIEMODUS: [Abb. 11]**

Der Pollenallergiemodus kann nur über die App hOn aktiviert werden. Sie müssen zunächst ein Profil in der App aktivieren und sich registrieren, um Ihr Pollenallergieprofil zu erstellen.

Der Pollenallergiemodus funktioniert nur, wenn AUTOMATIKBETRIEB ausgewählt ist. [Abb. 11c] Im Pollenallergiemodus empfängt das Gerät kontinuierlich Echtzeitdaten von der APP über die überwachte Pollenkonzentration im Freien und arbeitet automatisch, um die Pollenerfassungsleistung zu maximieren.

Sobald Pollen eingefangen sind, werden sie inaktiviert, um allergische Symptome zu lindern.

Wenn der Pollenallergiemodus in der App aktiviert ist, gibt 2 mögliche Benachrichtigungsleuchten auf dem Gerätedisplay:

- Die Pollenallergieleuchte leuchtet **WEISS [Abb. 11a]**: Das Gerät und die App überwachen das Vorhandensein von Pollen im Freien und es besteht kein Risiko.
  - Die Pollenallergieleuchte leuchtet **GELB** und die Pollenallergiezyklusleuchte leuchtet **WEISS [Abb. 11b]**: Das Gerät und die APP haben das Risiko erkannt.
- Wenn das Gerät, während der Pollenallergiemodus aktiviert ist, manuell in den SCHLAFMODUS oder MAXIMALE LEISTUNG umgeschaltet wird, wird der Pollenallergiemodus beendet.

**LICHTSTEUERUNGSFUNKTION: [Abb. 12]**

Es stehen 3 Einstellungen für die Displaybeleuchtung zur Verfügung: Ein, Dimmen und Aus. Um die Helligkeit der Displaybeleuchtung einzustellen, drücken Sie einfach auf die LICHT-STEUERTASTE auf dem Display, um durch die 3 verfügbaren Optionen zu schalten. EIN ist die Standardeinstellung.

Wenn AUS ausgewählt ist, muss jede andere Taste zweimal gedrückt werden, um sie zu aktivieren. Nach einem Drücken wird die Leuchte DIM aktiviert. Beim zweiten Drücken wird die Aktion eingeschaltet.

**Funktion KINDERSICHERUNG: [Abb. 13]**

Halten Sie die Taste KINDERSICHERUNG 3 Sekunden lang gedrückt, um sie zu aktivieren, ein hörbarer Ton wird ertönen, wenn sie aktiviert wurde, und die Taste KINDERSICHERUNG leuchtet weiter. Wenn sie aktiviert ist, funktionieren keine anderen Tasten.

Zum Verlassen, drücken und halten Sie einfach die Taste KINDERSICHERUNG für 3 Sekunden gedrückt. Ein hörbarer Ton ertönt, um zu bestätigen, dass sie ausgeschaltet wurde und die Taste leuchtet nicht mehr.

**DIFFUSORFUNKTION: [Abb. 14]**

Der Diffusor verbreitet H-Essence oder H-Biotics in der Luft des Raumes. H-Essence ist die Kollektion ätherischer Öle von Hoover, um angenehme Düfte in die Luft abzugeben.

H-Biotics ist eine natürliche Mischung auf Basis von Probiotika, die den Raum bio-hygienisiert hält, indem sie das Wachstum von Mikroorganismen wie Bakterien oder Mikroben hemmt.

Es gibt 4 verschiedene Einstellungen für die DIFFUSOR-Funktion, SOFT, MITTEL, BENUTZERDEFINIERT und H-BIOTICS. Um diese Funktion zu aktivieren, drücken Sie einfach die Diffusortaste auf dem Display. Die Standardeinstellung für diese Funktion ist SOFT. Um eine der anderen Einstellungen zu wählen drücken Sie einfach nacheinander die Taste, um auf die gewünschte Auswahl umzuschalten. Die Taste leuchtet weiß, wenn sie eingeschaltet ist.

Für H-Essence wird empfohlen, die SOFT und MITTEL-Einstellungen zu verwenden.

Die KUNDEN-Einstellung kann nur in der App hOn erfolgen.

Bei Verwendung von H-Biotics muss die Einstellung auf H-Biotics eingestellt werden. Sobald der Benutzer H-Biotics mit der APP aktiviert, wird dies nach 120 Stunden eine Warnung von "H-BIOTICS AKTIVIEREN" ausgeben, um sicherzustellen, dass die H-Biotics-Nutzung alle 5 Tage erfolgt.

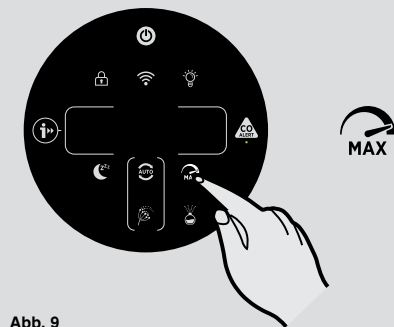


Abb. 9

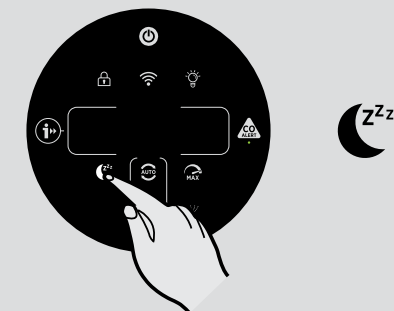


Abb. 10



Abb. 11

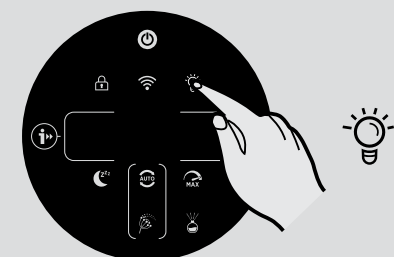


Abb. 12



Abb. 13

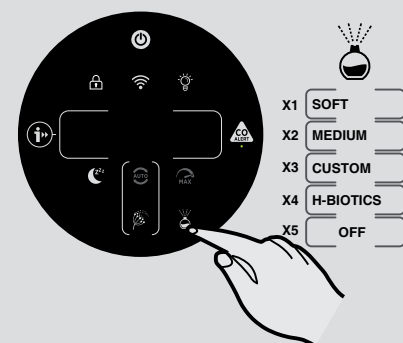


Abb. 14



Bei der Verwendung von H-Essence in bestimmten Einstellungen oder Raumumgebungen kann sich der GAS-VOC-Wert aufgrund der Erkennung der Duftstoffe ändern. Die Diffusorfunktion funktioniert nur, wenn der Luftqualitäts-LED-Ring grün leuchtet. Sie pausiert, wenn der LED-Ring nicht grün leuchtet, und arbeitet weiter, wenn er wieder grün leuchtet.

Die Diffusorfunktion kann nur im AUTOMATIKBETRIEB und bei MAXIMALER LEISTUNG und nicht im SCHLAFMODUS verwendet werden. Bei der Aktivierung der Diffusorfunktion im AUTO Modus arbeitet das Hauptgebläse mit einer bestimmten Drehzahl, damit die H-Essence oder die H-Biotics im Raum verteilt werden.

Einstellung	Diffusionszeitpunkt	Zyklus maximale Dauer
SANFT	10 Sekunden alle 5 Minuten	6 Stunden
MITTEL	90 Sekunden alle 3,5 Minuten	6 Stunden
BENUTZERDEFINIERT	Benutzerdefiniert	6 Stunden
H-BIOTICS	2 Minuten alle 4 Minuten	6 Stunden

## 4. WARTUNG IHRES H-LUFTREINIGERS

### 4.1 FILTERWARTUNG

Ihr H-Luftreiniger überwacht den Zustand Ihres Filters. Auf der linken Seite des Displays wird eine Warnung **FILTER REINIGEN ODER AUSTAUSCHEN** angezeigt und das Blinken bedeutet, dass es erforderlich ist, den Filter zu reinigen oder auszutauschen.

#### Reinigung / Austauschen des Filters: [Abb. 15]

- Entfernen Sie die Lufteinlassabdeckung von Ihrem Gerät. [Abb. 15a]
- Entriegeln Sie die Filterfreigabetaste. [Abb. 15b]
- Entfernen Sie den Filter von Ihrem Gerät. [Abb. 15c]
- Nehmen Sie einen Staubsauger, um die äußere Schicht des Filters abzusaugen oder ersetzen Sie ihn durch einen NEUEN Filter. [Abb. 15d]
- Setzen Sie den Filter wieder in Ihr Gerät ein. [Abb. 15e]
- Verriegeln Sie die Filterfreigabetaste. [Abb. 15f]
- Setzen Sie die Lufteinlassabdeckung wieder in Ihr Gerät ein. [Abb. 15g]
- Stecken Sie den Stecker des Geräts in die Steckdose und schalten Sie es ein.
- Drücken Sie die Taste INFORMATIONEN, um die Reinigungs-/Austausch-Warnung zurückzusetzen. Drücken Sie hierfür die Taste für 3 Sekunden. Es wird eine akustische Warnung ertönen, was bedeutet, dass das Zurücksetzen erfolgreich ausgeführt wurde. [Abb. 7]

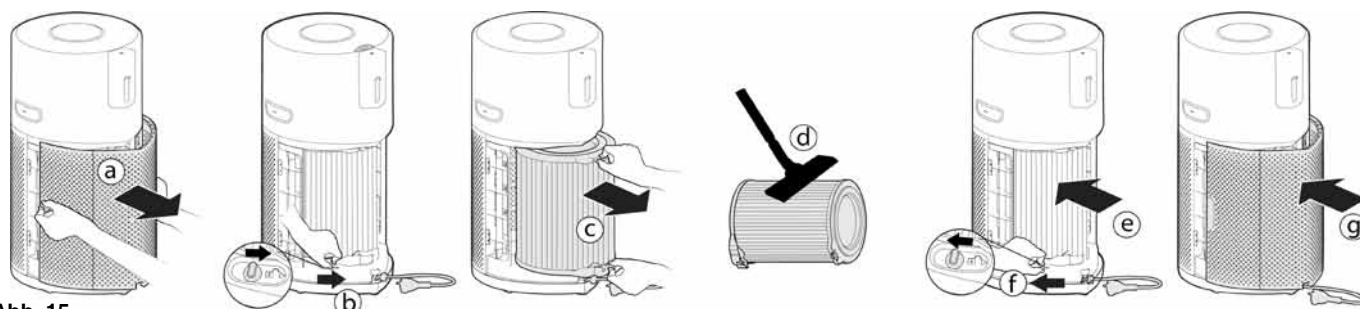


Abb. 15

### 4.2 DIFFUSORWARTUNG

Verwenden Sie nach jeder Verwendung der Diffusorfunktion ein trockenes weiches Tuch, um Rückstände von den Geräteoberflächen zu entfernen.

#### Diffusor-Flasche austauschen: [Abb. 16]

Das in der Flasche verbleibende Flüssigkeitsvolumen kann durch das Diffusorfenster überprüft werden. Bei Bedarf sollte die Flasche ausgetauscht werden.

- Nehmen Sie die Diffusorabdeckung vom Gerät ab. [Abb. 16a]
- Nehmen Sie die Diffusoreinheit aus der Diffusorabdeckung. [Abb. 16b]
- Schrauben Sie die leere Flasche los und entfernen Sie sie. [Abb. 16c]
- Nehmen Sie die neue Flasche H-Essence oder H-Biotics aus der Verpackung und nehmen Sie die Kappe ab. [Abb. 16d]
- Schrauben Sie die neue Flasche fest auf die Diffusoreinheit. [Abb. 16e]
- Setzen Sie die Diffusoreinheit wieder in die Diffusorabdeckung ein. [Abb. 16f]
- Setzen Sie die Diffusorabdeckung wieder in den H-Luftreiniger ein. [Abb. 16g]

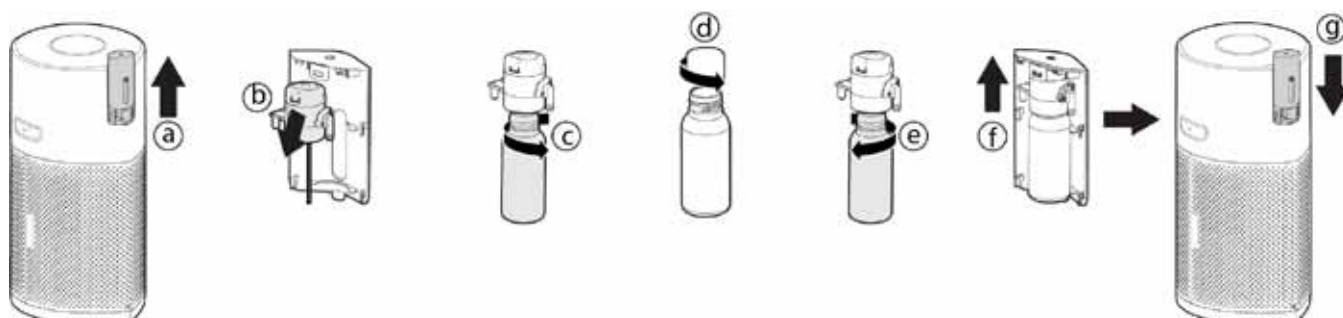


Abb. 16

## 5. IHREN H-LUFTREINIGER AUFBEWAHREN

1. Schalten Sie den H-Luftreiniger aus und ziehen Sie seinen Stecker aus der Steckdose.
2. Reinigen Sie alle Innen- und Außenflächen des H-Luftreinigers und das Außengewebe des Filters.
3. Nehmen Sie die Flasche aus dem Diffusor. Schrauben Sie die Originalkappe wieder auf die Flasche und bewahren Sie sie vor direktem Licht geschützt auf. Reinigen Sie die Oberflächen der Diffusoreinheit und der Diffusorabdeckung. Stellen Sie sicher, dass sich keine Reste der H-Essence oder von H-Biotics auf der Oberfläche des H-Luftreinigers befinden.
4. Stellen Sie sicher, dass alle Komponenten trocken sind.
5. Entfernen Sie die Lufterlassabdeckung [Abb. 17a], wickeln Sie das Netzkabel auf, indem Sie am Kabel ziehen [Abb. 17b], verstauen Sie es auf dem Aufbewahrungshaken und stecken Sie den Stecker in das Aufbewahrungsfach. [Abb. 17c,d] Setzen Sie die Lufterlassabdeckung wieder ein. [Abb. 17e]
6. Bewahren Sie den H-Luftreiniger an einem kühlen, trockenen Ort auf.

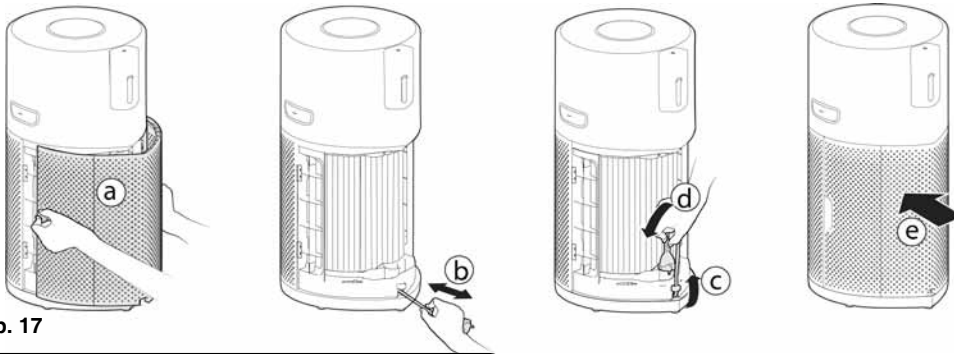


Abb. 17

## 6. WARNUNGEN und LÖSUNGEN

Die folgenden Fehlermeldungen können während der Benutzung angezeigt werden. [Abb. 18]



Abb. 18

Alarm		Alarmbeschreibung	Lösung
Alarm auf Gerät	Warnung auf der APP		
"FILTER REINIGEN"	Warnung Vorfilter reinigen	Wir empfehlen, die äußere Schicht des Filters abzusaugen.	1. Reinigen Sie die äußere Schicht des Filters. 2. Setzen Sie die Warnung zurück, indem Sie die Taste INFORMATION 3 Sekunden lang gedrückt halten. <b>Siehe 4.1 FILTERWARTUNG</b>
"FILTER ERSETZEN"	Warnung Filter austauschen	Wir empfehlen den Filter zu ersetzen.	1. Tauschen Sie den Filter aus. 2. Setzen Sie die Warnung zurück, indem Sie die Taste INFORMATION 3 Sekunden lang gedrückt halten. <b>Siehe 4.1 FILTERWARTUNG</b>
"FILTER FEHLT"	Fehler: Beim Luftreiniger ist ein Fehler aufgetreten, bitte prüfen Sie mögliche Lösungen	Filter ist nicht in Position oder nicht richtig eingerastet	1. Wenn der Filter nicht vorhanden ist, setzen Sie ihn wieder ein. 2. Wenn der Filter in seiner Position ist, überprüfen Sie, ob sich die Filterfreigabetaste im Zustand VERRIEGELT befindet. <b>Siehe 2.1 DEN FILTER INSTALLIEREN</b>
"PM-SENSORFEHLER"	/	PM-Sensor defekt	Der PM-Sensorfehler oder Sensordraht wurde nicht richtig angeschlossen, bitte rufen Sie den Kundendienst an, um den Fehler zu beheben.
CO Alert-LED leuchtet gelb	Fehler: Beim Luftreiniger ist ein Fehler aufgetreten, bitte prüfen Sie mögliche Lösungen	Der Kohlenmonoxidsensor ist defekt oder hat seine Lebensdauer überschritten.	Rufen Sie den Kundendienst an, um die Störung zu beheben.
/	Fehler: Beim Luftreiniger ist ein Fehler aufgetreten, bitte prüfen Sie mögliche Lösungen	Motorausfall	Motorausfall oder das Motorkabel wurde nicht richtig angeschlossen, rufen Sie bitte das Servicecenter an, um das Problem zu beheben.
"TEMP- UND FEUCHTIGKEITSENSORFEHLER"	/	Temperatur- und Feuchtigkeitssensor defekt	Der Temperatur- und Feuchtigkeitssensor ist defekt oder das Sensorkabel wurde nicht richtig angeschlossen. Bitte wenden Sie sich zur Behebung an den Kundendienst.
"PAUSE"	/	Der Betrieb des Diffusors wird unterbrochen, wenn der Luftqualitäts-LED-Ring nicht grün leuchtet.	Es ist keine Maßnahme erforderlich. Der Betrieb des Diffusors wird fortgesetzt, wenn der Luftqualitäts-LED-Ring wieder grün leuchtet.

**ACHTUNG:** Sollte einer dieser Fehler weiterhin bestehen, kontaktieren Sie Ihren lokalen Hoover-Vertreter. Versuchen Sie NICHT, den H-Luftreiniger selber zu zerlegen.

## 7. FEHLERSUCHE

Nachfolgend finden Sie eine Liste häufig auftretender Probleme und die entsprechenden Lösungen. Sollte eines dieser Probleme weiterhin bestehen, setzen Sie sich bitte mit dem Hoover-Kundendienst in Verbindung.

Das Gebläse funktioniert nicht (Bedienfeld / Display-Leuchten an)	<ul style="list-style-type: none"> <li>• Prüfen Sie die Warnung, die auf dem Display oder in der App angezeigt wird. Wenn ja, siehe <b>6. WARNUNGEN UND LÖSUNGEN</b>.</li> <li>• Prüfen Sie, ob es Hindernisse im Lüfter gibt. Wenn dies der Fall ist, ziehen Sie zuerst den Gerätestecker aus der Steckdose und beseitigen Sie die Hindernisse, oder rufen Sie den Kundendienst an, um sie zu beseitigen.</li> <li>• Prüfen Sie, ob der H-Luftreiniger eingeschaltet ist.</li> <li>• Prüfen Sie, ob der Filter richtig montiert und eingerastet ist.</li> <li>• Prüfen Sie, ob sich der H-Luftreiniger in einer völlig aufrechten vertikalen Position befindet und nicht geneigt ist.</li> <li>• Der H-Luftreiniger befindet sich möglicherweise im ECO-Modus. Sie können die Taste Schlafmodus oder die Taste Maximale Leistung drücken, um den ECO-Modus zu verlassen. Siehe <b>3. GEBRAUCH IHRES H-LUFTREINIGERS – AUTO MODUS</b>.</li> </ul>
Das Gebläse funktioniert nicht (Bedienfeld / Display-Leuchten aus)	<ul style="list-style-type: none"> <li>• Prüfen Sie, ob der Stecker des H-Luftreinigers in die Steckdose gesteckt ist und das Gerät eingeschaltet wurde.</li> <li>• Überprüfen Sie die in der App angezeigte Warnung. Wenn ja, siehe <b>6. WARNUNGEN UND LÖSUNGEN</b>.</li> </ul>
Keine Anzeigeleuchten auf dem Bedienfeld / Display (Gebläse funktioniert)	<ul style="list-style-type: none"> <li>• Im Schlafmodus ist die Standardeinstellung der Beleuchtung ausgeschaltet. Sie könnten die Lichtsteuerungstaste drücken, um sie einzuschalten.</li> <li>• Die Beleuchtung kann ausgeschaltet sein. Drücken Sie die Lichtsteuerungstaste, um sie einzuschalten. Siehe <b>3. GEBRAUCH IHRES H-LUFTREINIGERS – SCHLAFMODUS / Funktion LICHTSTEUERUNG</b>.</li> </ul>
Die Tasten auf dem Bedienfeld funktionieren nicht	<ul style="list-style-type: none"> <li>• Die Kindersicherung ist möglicherweise aktiviert. Sie könnten die Taste KINDERSICHERUNG 3 Sekunden lang gedrückt halten, um sie auszuschalten. Siehe <b>3. GEBRAUCH IHRES H-LUFTREINIGERS – Funktion KINDERSICHERUNG</b>.</li> </ul>
Luftstrom ist schwach	<ul style="list-style-type: none"> <li>• Prüfen Sie, ob die Schutzverpackung vom Filter entfernt wurde.</li> <li>• Prüfen Sie, ob es Hindernisse in der Luftauslassabdeckung oder im Luftauslass gibt.</li> <li>• Entfernen Sie die Lufteinlassabdeckung und prüfen Sie den Zustand des Filters. Saugen Sie die äußere Schicht ab oder ersetzen Sie den Filter nach Bedarf. Sie können den Status der Filterlebensdauer im Display überprüfen. Drücken Sie hierzu die Informationstaste.</li> <li>• Prüfen Sie, ob sich der H-Luftreiniger im Schlafmodus befindet. Das Gebläse arbeitet in diesem Modus mit reduzierter Leistung.</li> </ul>
Der H-Luftreiniger ist laut	<ul style="list-style-type: none"> <li>• Prüfen Sie, ob sich im H-Luftreiniger irgendwelche Hindernisse befinden.</li> <li>• Prüfen Sie, ob der H-Luftreiniger im Maximalbetrieb läuft. In diesem Modus arbeitet der Lüfter mit maximaler Leistung.</li> </ul>
Der H-Luftreiniger ist plötzlich laut	<ul style="list-style-type: none"> <li>• Prüfen Sie, ob der H-Luftreiniger im Automatikbetrieb läuft und der Luftqualitäts-LED-Ring nicht grün leuchtet. Im Automatikbetrieb passt der H-Luftreiniger seine Gebläsedrehzahl automatisch an die aktuelle Raumluftqualität an. Siehe <b>3. GEBRAUCH IHRES H-LUFTREINIGERS – AUTO MODUS</b>.</li> </ul>
Der H-Luftreiniger gibt plötzlich einen lauten Summton ab	<ul style="list-style-type: none"> <li>• Die Testfunktion der Kohlenmonoxid-Warntaste wird durch Fehlbedienung aktiviert. Der Ton wird nach 5 Sekunden automatisch verstummen. Siehe <b>1.2 KOHLENMONOXID (CO)-WARNUNG</b></li> </ul>

## WICHTIGE INFORMATIONEN

### Hoover Originalersatzteile und Verbrauchsartikel

Verwenden Sie stets Originalersatzteile von Hoover. Diese sind über den Hoover-Kundendienst erhältlich. Geben Sie bei der Bestellung von Ersatzteilen bitte stets die komplette 16stellige Artikelnummer (Typenplakette auf der Rückseite des Gerätes) Ihres Gerätemodells an.

### QUALITÄT

Die Hoover-Werke wurden unabhängig voneinander jeweils einer Qualitätsprüfung unterzogen.. Unsere Produkte werden nach einem Qualitätsstandard hergestellt, der die Anforderungen von ISO 9001 erfüllt.

### GARANTIEERKLÄRUNG

Die Garantiebestimmungen für dieses Gerät entsprechen den Richtlinien des Landes, in dem Sie das Gerät erworben haben. Weitere Einzelheiten dazu erhalten Sie vom Händler, bei dem Sie das Gerät erworben haben oder aus dem Garantieheft, das der Verpackung beiliegt. Bitte bewahren Sie den Kaufbeleg sorgfältig auf, denn er wird für eventuell auftretende Garantieansprüche benötigt.

Änderungen vorbehalten.

## AVVERTENZE GENERALI SULLA SICUREZZA

Si consiglia di utilizzare l'apparecchio solo per uso domestico, come indicato in questa guida. Prima di usare l'apparecchio, è bene assicurarsi di aver compreso interamente la guida, da conservare come riferimento per futuri utilizzi.

Prima di collegare l'apparecchio controllare che il voltaggio e la potenza indicati sull'etichetta corrispondano a quelli locali.

Se il cavo di alimentazione è danneggiato, interrompere immediatamente l'utilizzo dell'apparecchio. Per evitare pericoli, il cavo di alimentazione dovrà essere sostituito da un tecnico del servizio assistenza autorizzato Hoover.

Non rimuovere la spina dalla presa di corrente tirando il cavo di alimentazione.

Sistemare il cavo di alimentazione in modo che non venga calpestato o urtato.

Prima di procedere alla pulizia dell'apparecchio, al suo spostamento o effettuare qualsiasi operazione di manutenzione, spegnere sempre l'apparecchio e scollegare la spina.

Questo elettrodomestico non è destinato a essere utilizzato da bambini di età inferiore a 8 anni e da persone dalle ridotte capacità fisiche, sensoriali o mentali, o senza esperienza a causa di una inadeguata informazione sull'uso in sicurezza dell'apparecchio e sui relativi pericoli. Controllare che i bambini non giochino con l'apparecchio.

Pulizia e manutenzione non possono essere eseguite da bambini senza sorveglianza da parte di una persona responsabile.

L'apparecchio non rimuove monossido di carbonio (CO) o radon (Rn). Non può essere utilizzato come dispositivo di sicurezza in caso di incidenti con processi di combustione e sostanze chimiche pericolose

Non continuare a utilizzare l'apparecchio in caso di presunto guasto.

Non ostruire la via di uscita o di entrata dell'aria.

Non introdurre le dita o qualunque oggetto nella via di uscita o di entrata dell'aria per evitare di farsi male o di causare un malfunzionamento dell'apparecchio.

Non pulire l'apparecchio con acqua, altri liquidi, o detersivi (infiammabili) e non lasciare che si introducano nell'apparecchio, per evitare scariche elettriche e/o che prenda fuoco.

Non spazzare sostanze infiammabili come insetticidi o profumi vicino all'apparecchio.

Questo apparecchio non sostituisce l'impiego di ventilatori, normali aspirapolveri o cappe aspiranti per la cucina.

Utilizzare solo accessori o parti di ricambio consigliati o forniti da Hoover.

Assicurarsi che il filtro sia stato installato correttamente prima di accendere l'apparecchio.

Non battere o picchiare contro l'apparecchio (in particolare contro la via di uscita o di entrata dell'aria) con oggetti duri.

Mantenere l'apparecchio asciutto.

Mai inclinare o svuotare l'apparecchio mentre è in funzione.

Quando l'apparecchio non viene usato per diverso tempo, potrebbero svilupparsi dei batteri sui filtri. Controllare i filtri a seguito di un periodo di disuso. Sostituire i filtri se molto sporchi.

Per garantire un funzionamento sempre sicuro ed efficiente dell'apparecchio, si consiglia di fare eseguire eventuali interventi di assistenza o di riparazione dai tecnici del servizio assistenza autorizzato HOOVER.

## USO DELL'AMBIENTE

Collocare e utilizzare l'apparecchio solo su una superficie asciutta, stabile e orizzontale, così da prevenirne il ribaltamento.

Lasciare almeno 20 cm di spazio dietro all'apparecchio e su entrambi i lati e 30 cm sopra.

Per prevenire interferenze, posizionare l'apparecchio lontano almeno 2 m da dispositivi elettrici che utilizzano onde radio come televisori, radio o orologi radiocontrollati.

Non appoggiare nulla sopra all'apparecchio.

Non usare l'apparecchio quando sono stati diffusi in casa repellenti gassosi per insetti e non posizionarlo vicino a residui di oli, incensi da bruciare o fumi chimici.

Non collocare il dispositivo in nessuna delle aree seguenti:

- Sopra o vicino a superfici calde, vicino ad un fuoco acceso, direttamente esposto alla luce solare, vicino ad apparecchi a gas o a riscaldamento.
- Vicino o direttamente sopra a caloriferi, condizionatori, porte, finestre, aspiratori, fornelli, o qualunque zona dove potrebbe essere soggetto a spifferi.
- In un bagno o in altre zone dove l'apparecchio potrebbe essere esposto a schizzi d'acqua, sgocciolamenti o condense (ad esempio direttamente sotto un condizionatore o sopra una caldaia).
- In uno spazio limitato (per esempio dentro o sotto una credenza);
- In una zona dove la temperatura può scendere sotto i  $-20^{\circ}\text{C}$  o salire oltre i  $50^{\circ}\text{C}$ ;
- In una stanza soggetta a sbalzi di temperatura, in zone bagnate, ad alta temperatura ambiente o alta umidità, come il bagno o la cucina.
- Dove verrebbe ostruito, ad esempio da tende o mobili;
- Dove sporco o polvere potrebbero bloccare il sensore.

## ISTRUZIONI DI SICUREZZA PER IL MONITORAGGIO DEL CO

Se l'allarme CO è attivo, aprire tutte le finestre e le porte per mettersi in sicurezza. Se possibile, spegnere tutti i dispositivi che funzionano a combustione ed evacuare la stanza lasciando porte e finestre aperte. Cercare assistenza medica immediata per chiunque abbia manifestato effetti causati dall'avvelenamento da monossido di carbonio. Non rientrare nell'ambiente finché l'allarme non si interrompe. L'allarme si interromperà quando l'aria ritornerà pulita dal CO. Non utilizzare apparecchi a combustione finché la sorgente di CO non è stata identificata e riparata da un tecnico.

Evitare l'utilizzo di pittura, diluenti, vapori solventi, deodoranti per ambiente, spray aerosol o agenti chimici pulenti vicino all'apparecchio. Queste sostanze potrebbero ostacolare il funzionamento dell'allerta CO.

Per attivare l'allerta CO, collegare la spina a una presa di corrente. Il LED di Allerta CO si illuminerà di verde. Quando il sensore rileva un livello non sicuro di CO, l'allarme CO emetterà un suono acuto e il pulsante di Allerta CO e l'Anello Luminoso a LED della Qualità dell'Aria lampeggeranno di rosso. L'allarme continuerà a suonare finché il CO rilevato non si ridurrà a un livello sicuro.

Premere il pulsante [Allerta CO] per 3 secondi per testare il funzionamento dell'Allarme CO: l'allarme emetterà un suono acuto per 5 secondi. Testare l'allarme mensilmente o dopo un'assenza prolungata (per esempio dopo le vacanze). Se l'allarme non suona dopo aver premuto il pulsante [Allerta CO] per 3 secondi, contattare il centro di assistenza clienti Hoover per richiedere l'intervento di un tecnico qualificato che ripari il malfunzionamento.

Se il display indica che il sensore CO non funziona o è scaduto, contattare il centro di assistenza Hoover per richiedere l'intervento di un tecnico qualificato che ripari il sensore CO. Il tempo di funzionamento previsto per il sensore CO è di 7 anni, poi deve essere sostituito.

E' consigliabile tenere il pulsante di Allerta CO fuori dalla portata dei bambini in quanto potrebbero risentire del rumore eccessivo emesso dall'allarme se esposti al suono per più di 3 secondi.

Umidità Operativa: 15 – 90% RH

Temperatura Operativa: da  $0^{\circ}\text{C}$  a  $+40^{\circ}\text{C}$

Il monossido di carbonio è dannoso per l'organismo perché priva (soffocandoli) alcuni organi importanti dell'ossigeno necessario. Quando il CO viene inalato, si attacca all'emoglobina nel sangue che normalmente trasporta ossigeno attraverso il corpo. Il CO impedisce in modo permanente all'ossigeno di unirsi all'emoglobina, riducendo la quantità di ossigeno destinato agli organi vitali. Il livello di concentrazione e il tempo di esposizione al CO possono variare gli effetti sull'organismo, ma gli esperti sono concordi sul fatto che l'esposizione a monossido di carbonio anche a bassi livelli per un tempo prolungato può avere conseguenze serie e persistenti sulla salute.

**ATTENZIONE:** L'ALLARME CO È STATO REALIZZATO PER PROTEGGERE GLI INDIVIDUI DALLE GRAVI CONSEGUENZE DELL'ESPOSIZIONE AL MONOSSIDO DI CARBONIO O PREVENIRNEE GLI EFFETTI CRONICI. NON SALVAGUARDERÀ COMPLETAMENTE INDIVIDUI CON SPECIFICHE CONDIZIONI MEDICHE. NEL DUBBIO, CONSULTARE UN MEDICO SPECIALISTA.

La funzione Monitor CO non sostituisce un EN 50291-1, UL-2034, CSA-6.19 o un qualunque altro rilevatore di monossido di carbonio certificato, il cui utilizzo è indicato dai Codici Locali o Regionali. La funzione Monitor CO è soltanto un dispositivo supplementare di rilevamento di monossido di carbonio. Utilizzare questo dispositivo è a discrezione dell'utente, nella consapevolezza e la comprensione dei suoi limiti di conformità ai codici o alla legislazione dove applicabili.

Questo apparecchio non sostituisce un'installazione specifica, l'uso e la manutenzione di dispositivi a combustione, come sistemi di ventilazione e di scarico appropriati.

Per ricevere notifiche su cellulare o tablet dall'Alerta CO è necessaria una connessione Wi-Fi. Non sostituiscono un servizio di monitoraggio di emergenza di altri sistemi.

## ISTRUZIONI DI SICUREZZA DEL DIFFUSORE

Utilizzare solamente oli aromatici raccomandati o forniti da HOOVER.

Evitare di usare umidificatori vicino al purificatore dell'aria mentre è attiva la funzione di diffusione di H-Essence.

Ripulire ogni fuoriuscita di H-Essence immediatamente. Assicurarsi di aver pulito ogni angolo dell'apparecchio che è stato a contatto con H-Essence.

### Ambiente:

L'apparecchio è contrassegnato in conformità alla Direttiva Europea 2012/19/EU sulla gestione dei rifiuti da apparecchiature elettriche ed elettroniche. Garantendo il corretto smaltimento del prodotto, il cliente contribuisce alla salvaguardia della salute delle persone e alla protezione dell'ambiente che potrebbero altrimenti essere compromessi da uno smaltimento eseguito in maniera non idonea.

Il simbolo apposto sul prodotto indica che lo stesso non può essere smaltito come i normali rifiuti domestici, ma deve essere portato al punto di raccolta o al centro di riciclaggio delle apparecchiature elettriche ed elettroniche più vicino. Lo smaltimento deve essere eseguito in conformità alle normative locali vigenti per la salvaguardia dell'ambiente e lo smaltimento dei rifiuti. Per ulteriori informazioni sul trattamento, il recupero e il riciclaggio di questo prodotto, contattare l'unità territoriale competente per il servizio di smaltimento o il negozio in cui il prodotto è stato acquistato.



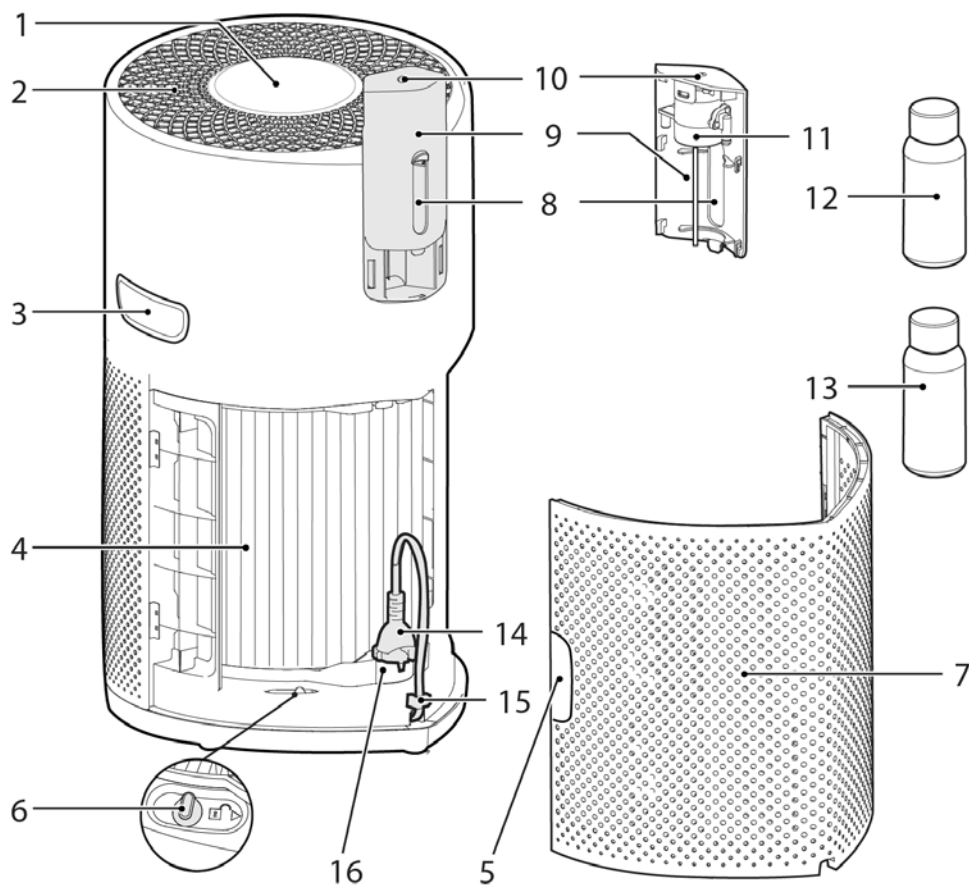
### Parametri per l'associazione Wireless

Tecnologia	Wi-Fi	Bluetooth
Standard	IEEE 802.11 b/g/n	Bluetooth v4.2, BLE
Banda/e di Frequenza (MHz)	2401~2483	2402~2480
Potenza massima (mW)	100	10
Potenza RF massima trasmessa nella banda di frequenza	18.9 dBm	

Con la presente, Candy Hoover Group Srl dichiara che l'apparecchiatura radio è conforme alla Direttiva 2014/53/UE. Il testo completo della dichiarazione di conformità EU è disponibile al seguente indirizzo internet: [www.candy-group.com](http://www.candy-group.com)

CANDY HOOVER GROUP S.r.l. Via Privata Eden Fumagalli, 20861 Brugherio (MB) Italy

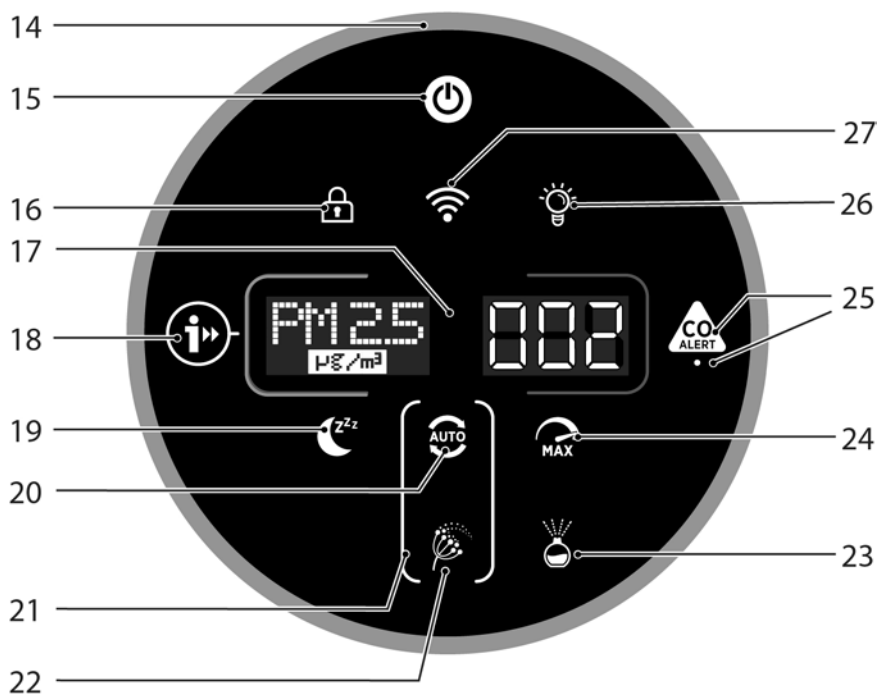
## 1. DESCRIZIONE DI H-PURIFIER



1	Pannello di controllo / Display
2	Uscita aria
3	Maniglia di Trasporto dell'Apparecchio
4	Gruppo Filtro
5	Maniglia della griglia
6	Leva di rilascio del Filtro

7	Griglia di entrata dell'aria
8	Finestra del diffusore
9	Copertura del diffusore
10	Nebulizzatore
11	Diffusore

12	Bocchetta H-Essence
13	Bocchetta H-Biotics
14	Cavo di alimentazione e spina
15	Gancio stazionamento
16	Stiva del cavo di alimentazione



14	Anello Luminoso a LED della Qualità dell'Aria
15	Pulsante alimentazione
16	Pulsante Child Lock (Blocco Sicurezza Bambini)
17	Display Digitale
18	Pulsante Informazioni
19	Pulsante Modalità Sleep
20	Pulsante Modalità Auto
21	Spia Circolare Allergia al Polline
22	Spia Allergia al Polline
23	Pulsante Diffusore
24	Pulsante Modalità Max
25	Pulsante & LED di Allerta CO
26	Pulsante di controllo della luminosità
27	Pulsante Wi-Fi



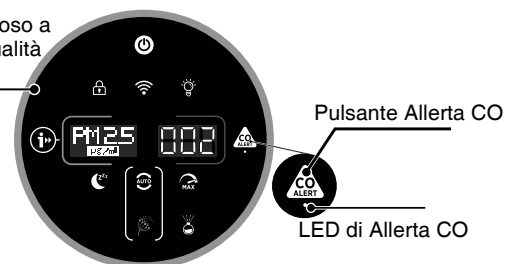
## 1.1 IL SISTEMA MULTI SENSOR

Grazie al Sistema di Multi-Sensore il tuo apparecchio monitorerà costantemente le condizioni dell'aria dell'ambiente in termini di PM10, PM2.5, Composti Organici Volatili (GAS).

Ogni volta che il prodotto viene acceso, il Sistema Multi-Sensore inizia ad analizzare la qualità dell'aria interna e l'Anello Luminoso a LED della Qualità dell'Aria si illumina di colori diversi a seconda delle condizioni di qualità dell'aria in tempo reale.

Colore dell'Anello Luminoso a LED della Qualità dell'Aria	Qualità dell'aria interna	Valore di PM 10* $\mu\text{g}/\text{m}^3$	Valore di PM 2.5 $\mu\text{g}/\text{m}^3$	Livello Gas VOC (Composti Organici Volatili)
Verde	Eccellente	0-50	0-25	L1
GIALLO	Soddisfacente	50-80	25-50	L2
ARANCIONE	Scarsa	80-160	50-100	L3
ROSSO	Pessima	$\geq 160$	$\geq 100$	L4

Anello Luminoso a LED della Qualità dell'Aria



\* In modalità Allergia al Polline, i valori di PM 10 che stabiliscono il livello di qualità dell'aria saranno più bassi per minimizzare il rischio per le persone allergiche.

## 1.2 ALLARME MONOSSIDO DI CARBONIO (CO)

H-Purifier è dotato di un sistema di allarme che rileva costantemente la presenza di monossido di carbonio (CO) nell'aria interna.

Quando l'Allarme Monossido di Carbonio si attiva, l'Anello Luminoso a LED della Qualità dell'Aria e il Pulsante di Informazione e di Allerta CO lampeggeranno di colore rosso simultaneamente e verrà emesso un suono di allarme. L'allarme rimarrà attivo finché la concentrazione del monossido di carbonio (CO) non si sarà ridotto al di sotto di 50 ppm, a meno che non venga silenziato manualmente premendo il pulsante Allerta CO per 3 secondi. Il LED di Allerta CO mostra le condizioni operative del sensore CO. Si illumina di verde quando il sensore CO è in condizioni normali, di giallo quando il sensore ha un malfunzionamento o il suo tempo di funzionamento è scaduto e di rosso quando l'allarme CO è attivo. È possibile testare se l'allarme è correttamente funzionante premendo il pulsante Allarme CO per 3 secondi: se l'allarme funziona nel modo giusto, verrà emesso un suono acuto per 5 secondi.

## 2. PREPARAZIONE DI H-PURIFIER

### 2.1 INSTALLARE IL FILTRO [Fig. 1]

Prima di utilizzare H-Purifier occorre rimuovere il filtro dal suo imballaggio di protezione:

- Rimuovere la griglia di entrata dell'aria dall'apparecchio. [Fig. 1a]
- Rimuovere la spina dalla propria stiva e staccare il cavo dal gancio di stoccaggio. [Fig. 1b]
- Sbloccare la leva di rilascio del Filtro. [Fig. 1c]
- Rimuovere il filtro dall'apparecchio e rimuovere l'imballaggio esterno. [Fig. 1d,e]
- Riposizionare il filtro nell'apparecchio. [Fig. 1f]
- Bloccare la leva di rilascio del Filtro. [Fig. 1g]
- Riposizionare la griglia di entrata dell'aria sull'apparecchio. [Fig. 1h]

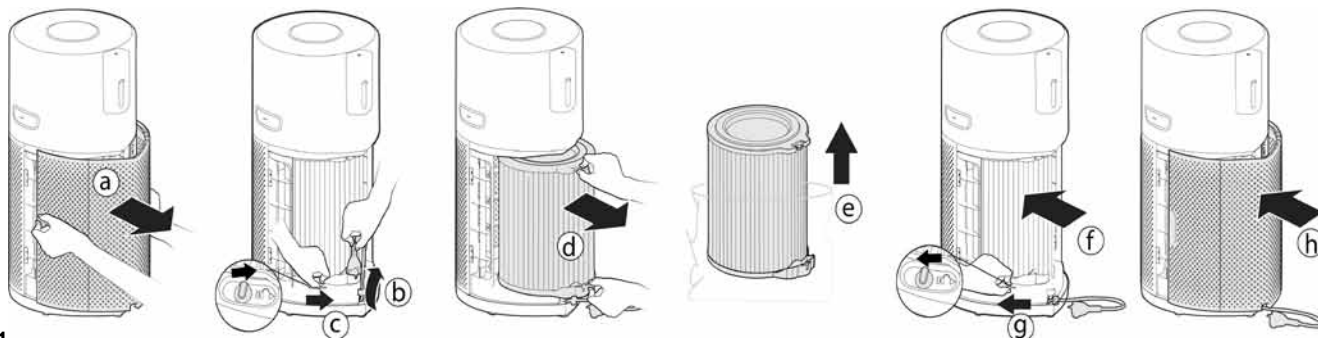


Fig. 1

### 2.2 INSTALLARE LA BOCCETTA DEL DIFFUSORE [Fig. 2]

Preparare H-Purifier per la funzione di diffusione.

- Rimuovere la copertura del diffusore dall'apparecchio. [Fig. 2a]
- Staccare l'unità del diffusore dalla sua copertura. [Fig. 2b]
- Rimuovere la boccetta H-Essence o H-Biotics dall'imballaggio e togliere il tappo. [Fig. 2c]
- Conservare il tappo per futuri stazionamenti.
- Avvitare saldamente la boccetta all'unità del diffusore. [Fig. 2d]
- Riposizionare l'unità del Diffusore sulla copertura. [Fig. 2e]
- Riposizionare il diffusore sull'apparecchio. [Fig. 2f]

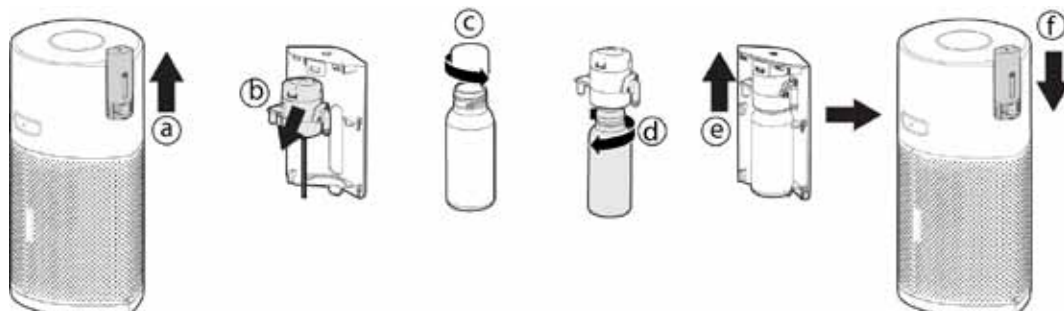


Fig. 2



### 3. USO DI H-PURIFIER

#### 3.1 ACCENDERE L'APPARECCHIO [Fig. 4]:

Togliere il cavo di alimentazione dal suo alloggiamento e inserire la spina in una presa di corrente. Tutte le spie sul pannello di controllo/display si illumineranno per circa 1 secondo per indicare che il collegamento è riuscito.

Il pulsante di accensione si illuminerà debolmente e il LED di Allerta CO si accenderà per indicare che il rispettivo sensore ha iniziato a monitorare il livello di Monossido di Carbonio dell'ambiente interno.

Per accendere l'apparecchio, premere il pulsante ACCENSIONE/SPEGNIMENTO sul display. L'Anello Luminoso a LED della Qualità dell'Aria si illuminerà di tutti i colori in sequenza mentre i sensori cominceranno ad analizzare le condizioni dell'aria in tempo reale. Dopo pochi secondi, l'Anello Luminoso a LED della Qualità dell'Aria selezionerà il colore corrispondente alla qualità dell'aria in quel momento. H-Purifier entrerà immediatamente in MODALITÀ AUTO e comincerà a purificare l'aria dell'ambiente. Il pulsante MODALITÀ AUTO, il pulsante INFORMAZIONI, il pulsante CONTROLLO ILLUMINAZIONE e PM10 si illumineranno sul display.

#### 3.2 COLLEGARE H-PURIFIER:

Per accedere a tutte le funzioni di H-Purifier da qualunque luogo, si consiglia di scaricare l'App hOn. Sarà possibile controllare l'apparecchio nel modo più efficiente.

##### Istruzioni:

1. Scaricare l'applicazione hOn dall'App Store, da Google Play, o da Huawei AppGallery. È possibile scaricarla anche scansionando il codice QR in [Fig. 5]
2. Aprire l'App, registrare un account con la propria e-mail e una password.
3. Confermare ed effettuare il login nell'App hOn.
4. Assicurarsi che il cellulare sia connesso al Wi-Fi.
5. Assicurarsi che H-Purifier sia acceso. Premere e tenere premuto il pulsante Wi-Fi sul display per 5 secondi, finché non si sentirà un beep e il pulsante Wi-Fi comincerà a lampeggiare per indicare l'attesa di una connessione. [Fig. 6]
6. Seguire le istruzioni descritte nell'app per connettere il cellulare all'apparecchio.
7. Una volta che l'associazione è avvenuta correttamente, il pulsante Wi-Fi sull'apparecchio rimarrà illuminato.
8. Per resettare il Wi-Fi, premere e tenere premuto il pulsante Wi-Fi per 5 secondi.

H-Purifier funziona anche con Hey Google e Amazon Alexa.

#### 3.3 SCOPRI TUTTE LE FUNZIONI

##### Funzione INFORMAZIONI [Fig. 7]:

Ci sono 6 set di dati differenti disponibili per il monitoraggio. PM10, PM2.5, GAS, Temperatura, Umidità e Stato del Filtro.

Premere il pulsante INFORMAZIONI per visualizzare tutti i dati del monitoraggio.

Di default, il display mostrerà i dati PM10, ma l'apparecchio ricorderà l'ultima selezione dell'utente e la manterrà quando verrà riacceso la volta successiva.

I dati GAS mostreranno un cursore che ruota durante i primi tre secondi dopo l'accensione del prodotto, durante i quali il sensore GAS esegue un ciclo di calibrazione.

##### Ulteriori informazioni su PM 2.5, PM 10 e GAS:

PM indica le particelle fini (non visibili a occhio nudo) che derivano principalmente dall'inquinamento esterno, come emissioni di veicoli o industrie, potenzialmente pericolose per la salute in caso di esposizione prolungata.

PM 10 raggiungono i 10 µm di grandezza e sono in grado di avanzare nel primo tratto respiratorio (naso, trachea, faringe).

PM 2.5 raggiungono i 2.5 µm di grandezza e, date le dimensioni più piccole, possono penetrare più a fondo nel nostro corpo e arrivare ai polmoni.

GAS VOC (composti organici volatili) sono composti chimici volatili con la capacità di evaporare facilmente nell'aria a temperatura ambiente. Deodoranti, detersivi, colle, adesivi e la formaldeide sono solo alcuni esempi dei VOC che possono essere presenti nelle abitazioni e sono potenzialmente dannosi in caso di esposizione prolungata.

##### MODALITÀ:

Ci sono 3 modalità avviabili per la purificazione dell'aria: MODALITÀ AUTO, MODALITÀ MAX & MODALITÀ SLEEP. La modalità auto è impostata di default quando l'apparecchio viene acceso, ma tutte le modalità possono essere selezionate manualmente premendo il pulsante corrispondente sul display. Attraverso l'app hOn è attivabile anche la modalità ALLERGIA AL POLLINE.

##### MODALITÀ AUTO [Fig. 8]:

Questa modalità è impostata di default quando H-Purifier viene acceso per la prima volta. In Modalità Automatica, H-Purifier adatta automaticamente la velocità della ventola al livello di qualità dell'aria per garantire costantemente una purificazione ottimale.

Si raccomanda questa impostazione per l'apparecchio.

Se in modalità AUTO, dopo 30 minuti di qualità eccellente dell'aria, l'apparecchio entrerà in modalità ECO (funzione Standby) interrompendo la funzione di purificazione (ventilatore). Il Sistema Multi Sensore continuerà ad analizzare l'aria nell'ambiente interno e riattiverà la funzione di purificazione quando richiesto.



Fig. 4



Fig. 5

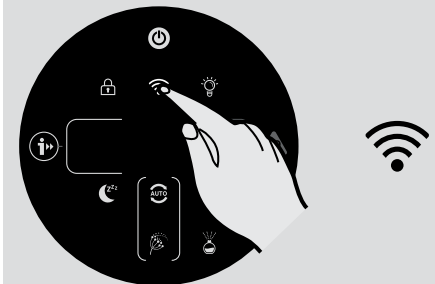


Fig. 6

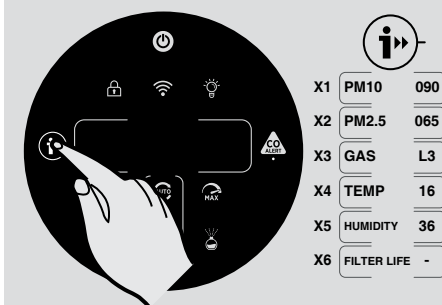


Fig. 7

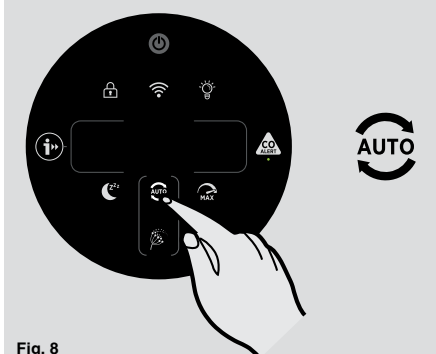


Fig. 8

**MODALITÀ MAX [Fig. 9]:**

Premere il pulsante modalità MAX sul display per attivare la purificazione alla massima potenza. Per uscire dalla modalità MAX, selezionare semplicemente la modalità AUTO o la modalità SLEEP.

**MODALITÀ SLEEP [Fig. 10]:**

Premere il pulsante modalità SLEEP per attivare la purificazione dell'aria al livello più basso e silenzioso. Il pulsante modalità SLEEP si illuminerà debolmente e le altre luci sul display rimarranno spente. Le luci potranno essere riaccese premendo il pulsante CONTROLLO ILLUMINAZIONE.

**MODALITÀ ALLERGIA POLLINI [Fig. 11]**

La modalità Allergia Pollini può essere attivata soltanto tramite l'App hOn. Sarà richiesto per prima cosa di attivare e registrare un profilo all'interno dell'app, per poter creare il proprio profilo allergico al polline. La modalità Allergia Pollini funziona solo quando è selezionata la MODALITÀ AUTO. **[Fig. 11c]** In modalità Allergia Pollini, l'apparecchio riceverà continuamente dati in tempo reale dall'APP riguardo la concentrazione di pollini all'esterno e si regolerà in modo da massimizzare la performance di purificazione dell'aria dal polline.

Una volta che i pollini sono stati catturati, vengono disattivati per aiutare ad alleviare i sintomi allergici. Quando la modalità Allergia Pollini viene attivata all'interno dell'App, esistono due possibili luci di notifica sul display del prodotto.

- La Spia Allergia Pollini è **BIANCA [Fig. 11a]**: L'apparecchio e l'App stanno monitorando la presenza di pollini all'esterno e non sono presenti rischi.

- La Spia Allergia Pollini diventa **GIALLA** e la Spia Circolare Allergia Pollini è **BIANCA [Fig. 11b]**: L'apparecchio e l'APP hanno rilevato un rischio.

Se l'apparecchio viene messo manualmente in modalità SLEEP o modalità MAX mentre la modalità Allergia Pollini è attiva, quest'ultima si fermerà.

**Funzione CONTROLLO ILLUMINAZIONE [Fig. 12]**

Ci sono tre impostazioni disponibili per l'illuminazione del display, On, Dim & Off

Per regolare la luminosità dell'illuminazione del display, premere semplicemente il pulsante CONTROLLO ILLUMINAZIONE sul display per passare alle 3 diverse opzioni disponibili. ON è l'impostazione di default.

Se viene selezionato OFF, ogni altro pulsante dovrà essere premuto due volte per essere attivato: dopo aver premuto una sola volta, le luci andranno in modalità DIM e dopo aver premuto la seconda volta la funzione verrà attivata.

**Funzione CHILD LOCK (Blocco Sicurezza Bambini) [Fig. 13]**

Premere e tenere premuto il pulsante CHILD LOCK per 3 secondi per attivare la funzione: si sentirà un suono a seguito dell'attivazione e il pulsante CHILD LOCK rimarrà illuminato. Nessun altro pulsante funzionerà se premuto.

Per uscire da questa modalità, tenere semplicemente premuto il pulsante CHILD LOCK per 3 secondi: si sentirà un suono che confermerà lo spegnimento e il pulsante non sarà più illuminato.

**Funzione DIFFUSIONE: [Fig. 14]**

Il Diffusore emana nell'aria della stanza H-Essence o H-Biotics. H-Essence è la collezione di oli essenziali Hoover per diffondere piacevoli fragranze.

H-Biotics è una miscela naturale a base di probiotici che mantiene la stanza bio-igienizzata inibendo la crescita di microrganismi come batteri o microbi.

Ci sono 4 impostazioni diverse per la DIFFUSIONE: SOFT (Delicato), MEDUM (Medio), CUSTOM (Personalizzato) & H-BIOTICS. Per attivare questa funzione, premere semplicemente il pulsante Diffuser sul display. L'impostazione di default per questa funzione è SOFT, ma è possibile premere consecutivamente il pulsante per accedere alle altre impostazioni e selezionare quella desiderata. Il pulsante si illuminerà di bianco quando acceso.

Si raccomanda di usare le impostazioni SOFT & MEDIUM (Medio) per H-Essence.

Un'impostazione personalizzata (CUSTOM) può essere creata solo con l'app hOn.

Per utilizzare H-Biotics si **DEVE** selezionare l'impostazione H-Biotics. Quando l'utente attiva H-Biotics utilizzando l'APP, riceverà un avviso di allerta "ACTIVATE H-BIOTICS" (Attivare H-Biotics) dopo 120 ore, per accertarsi dell'utilizzo di H-Biotics ogni 5 giorni.



Fig. 9

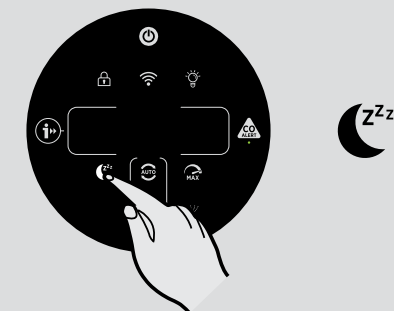


Fig. 10



Fig. 11

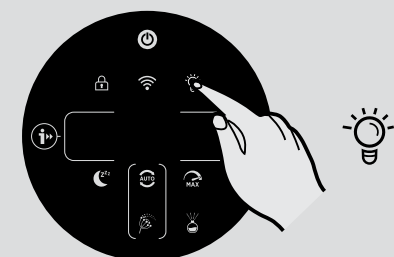


Fig. 12



Fig. 13

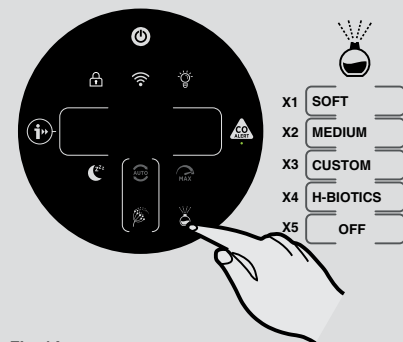


Fig. 14

Quando si utilizza H-Essence con determinate impostazioni o in alcuni ambienti, il livello di GAS VOC potrebbe cambiare a causa del rilevamento delle fragranze. La Funzione Diffusore funziona solo quando l'Anello Luminoso a LED della Qualità dell'Aria è verde. Quando non è verde, entra in pausa, e ricomincia a funzionare quando torna ad essere verde. La funzione Diffuser può essere usata solo in modalità AUTO o MAX e non in modalità SLEEP. Quando viene attivata la funzione Diffusione nella modalità AUTO, il ventilatore principale funziona con una velocità specifica per diffondere H-Essence o H-Biotics nella stanza.

Impostazioni	Tempo di Diffusione	Durata massima del ciclo
SOFT (Delicato)	per 10 secondi ogni 5 minuti	6 ore
MEDIUM (Medio)	per 90 secondi ogni 3.5 minuti	6 ore
CUSTOM (Personalizzato)	Definito dall'Utente	6 ore
H-BIOTICS	per 2 minuti ogni 4 minuti	6 ore

## 4. MANTENIMENTO DI H-PURIFIER

### 4.1 MANUTENZIONE FILTRI

H-Purifier monitorerà le condizioni del filtro. Un avviso **CLEAN FILTER** (Pulire il Filtro) o **REPLACE FILTER (SOSTITUZIONE FILTRO)** (Sostituire il Filtro) lampeggerà sul lato sinistro del display per indicare che è richiesto di pulire o di sostituire il filtro.

#### Pulizia / Sostituzione del filtro: [Fig. 15]

- Rimuovere la griglia di entrata dell'aria dall'apparecchio. [Fig. 15a]
- Sbloccare la leva di rilascio del Filtro. [Fig. 15b]
- Rimuovere il filtro dall'apparecchio. [Fig. 15c]
- Usare un aspirapolvere per pulire lo strato esterno del filtro o sostituirlo con un filtro NUOVO. [Fig. 15d]
- Riposizionare il filtro nell'apparecchio. [Fig. 15e]
- Bloccare la leva di rilascio del Filtro. [Fig. 15f]
- Riposizionare la griglia di entrata dell'aria sull'apparecchio. [Fig. 15g]
- Collegare l'apparecchio a una presa di corrente e accenderlo.
- Premere il pulsante INFORMAZIONI per resettare l'allarme Pulizia/Sostituzione e tenere premuto per 3 secondi: si sentirà un segnale acustico a indicare che il reset è avvenuto con successo. [Fig. 7]

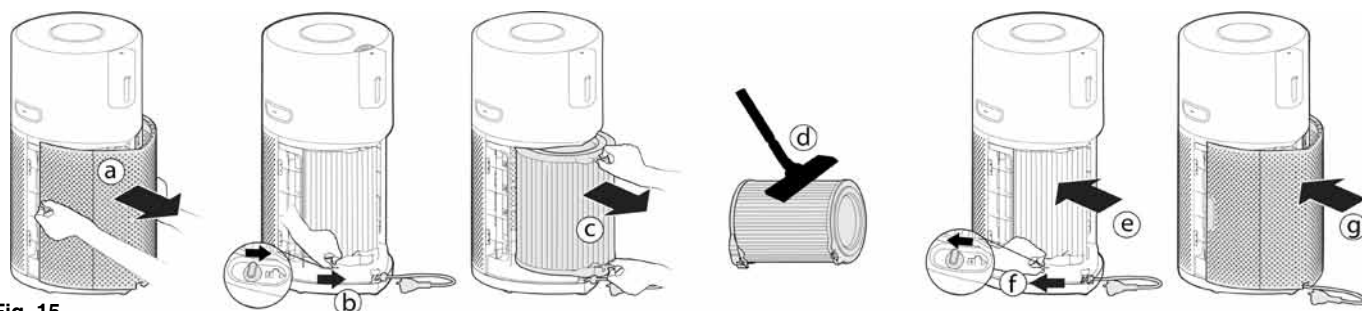


Fig. 15

### 4.2 MANUTENZIONE DEL DIFFUSORE

Dopo ogni uso della funzione Diffusione, servirsi di un panno morbido asciutto per pulire eventuali residui sulla superficie dell'apparecchio.

#### Sostituzione della boccetta del diffusore: [Fig. 16]

Il volume del liquido rimasto nella boccetta può essere controllato attraverso la finestra del Diffusore. Quando richiesto, la boccetta del diffusore è da sostituire.

- Rimuovere la copertura del diffusore dall'apparecchio. [Fig. 16a]
- Rimuovere l'unità e la boccetta del Diffusore dalla copertura. [Fig. 16b]
- Svitare e rimuovere la boccetta vuota. [Fig. 16c]
- Rimuovere la nuova boccetta H-Essence o H-Biotics dall'imballaggio e togliere il tappo. [Fig. 16d]
- Avvitare saldamente la nuova boccetta sull'Unità del Diffusore. [Fig. 16e]
- Riposizionare l'unità del Diffusore sulla copertura. [Fig. 16f]
- Riposizionare la copertura del Diffusore su H-Purifier. [Fig. 16g]

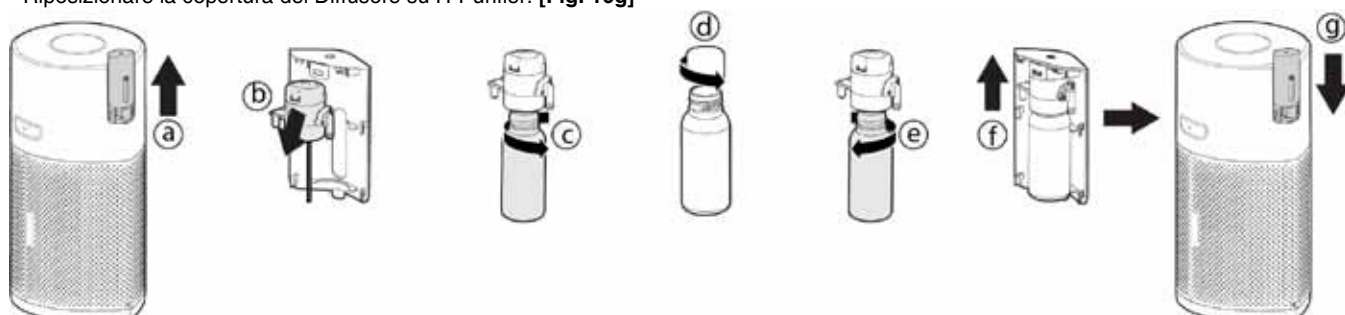


Fig. 16

## 5. STAZIONAMENTO H-PURIFIER

1. Spegner H-Purifier e scollegare il cavo di alimentazione.
2. Pulire tutte le superfici interne ed esterne di H-Purifier e lo stato esterno del filtro.
3. Rimuovere la boccetta dal diffusore. Ricollocare il tappo originale sulla boccetta e conservarla in modo da proteggerla dall'esposizione diretta alla luce. Pulire il diffusore e la copertura. Assicurarsi che non ci siano residui di H-Essence o H-Biotics sulle superfici di H-Purifier.
4. Assicurarsi che tutti i componenti siano asciutti.
5. Rimuovere la Cover di Entrata dell'Aria [Fig. 17a], riavvolgere il cavo di alimentazione tirandolo a scatti [Fig. 17b], inserire il cavo nel gancio di stoccaggio e reinserire la spina nella posizione di trasporto. [Fig. 17c,d] Ricollocare la Cover di Entrata dell'Aria. [Fig. 17e]
6. Riporre H-Purifier in un luogo fresco e asciutto.

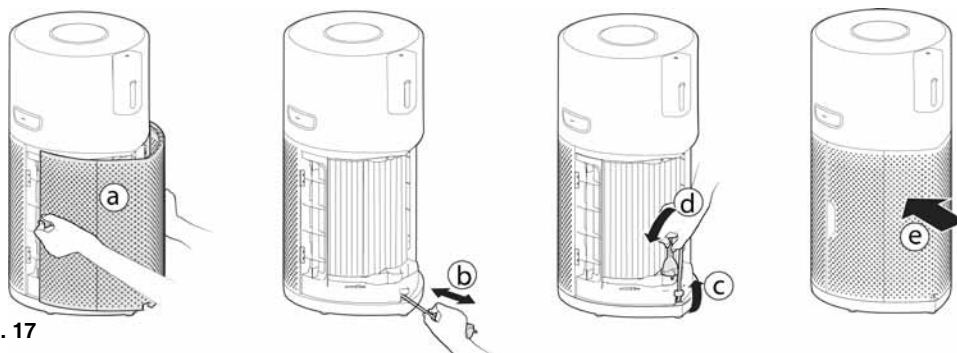


Fig. 17

## 6. AVVISI & SOLUZIONI

I seguenti codici potrebbero comparire durante l'utilizzo. [Fig. 18]



Fig. 18

Avviso		Descrizione Avviso	Soluzione
Avviso sull'apparecchio	Avviso sull'APP		
"CLEAN FILTER (PULIZIA FILTRO)"	Avviso di pulizia del Pre-Filtro	Suggerisce di pulire lo strato esterno del Filtro.	1. Pulire lo strato esterno del Filtro. 2. Resettare l'avviso tenendo premuto il pulsante INFORMAZIONI per 3 secondi. <b>Consultare 4.1 MANUTENZIONE FILTRI</b>
"REPLACE FILTER (SOSTITUZIONE FILTRO)"	Avviso di sostituzione del filtro	Suggerisce di sostituire il Filtro.	1. Sostituire il Filtro. 2. Resettare l'avviso tenendo premuto il pulsante INFORMAZIONI per 3 secondi. <b>Consultare 4.1 MANUTENZIONE FILTRI</b>
"FILTER MISSING (FILTRO MANCANTE)"	Errore: è stato riscontrato un errore con il purificatore dell'aria, verificare le possibili soluzioni	Il filtro non è inserito o bloccato correttamente	1. Se il filtro è assente, riposizionarlo. 2. Se il filtro è inserito, controllare se la leva di Rilascio del Filtro è bloccata <b>Consultare 2.1 INSTALLARE IL FILTRO</b>
"ERRORE DEL SENSORE PM"	/	Malfunzionamento del sensore PM	Il sensore PM non funziona o il cavo del sensore non è ben connesso: chiamare un centro di assistenza tecnica per ripararli.
Il LED di Allerta CO è di colore giallo	Errore: è stato riscontrato un errore con il purificatore dell'aria, verificare le possibili soluzioni	Il sensore CO ha un malfunzionamento o il suo tempo di funzionamento è scaduto.	Chiamare un centro assistenza tecnica per ripararlo.
/	Errore: è stato riscontrato un errore con il purificatore dell'aria, verificare le possibili soluzioni	Il motore non funziona	Il motore non funziona o il cavo del motore non è ben connesso: chiamare un centro assistenza tecnica per ripararlo.
"ERRORE DEL SENSORE TEMPERATURA & UMIDITÀ"	/	Sensore di Temperatura e Umidità è malfunzionante	Il sensore di temperatura e umidità non funziona o il cavo del sensore non è ben connesso: chiamare un centro assistenza tecnica per ripararlo.
"PAUSE (PAUSA)"	/	Il diffusore smette di funzionare quando l'anello luminoso a LED della qualità dell'aria non è di colore verde.	Non c'è bisogno di interventi. Il diffusore riprenderà a funzionare quando l'anello luminoso a LED della qualità dell'aria ritornerà di colore verde.

**ATTENZIONE:** Se il problema persiste, contattare il centro assistenza Hoover più vicino. **NON** provare a smontare H-Purifier da soli.

## 7. RISOLUZIONE DEI PROBLEMI

Di seguito è riportato un elenco di problemi comuni riscontrati e relative soluzioni. Se il problema persiste, contattare il centro assistenza tecnica Hoover più vicino.

La ventola non funziona (Pannello di controllo / Spie sul display accese)	<ul style="list-style-type: none"> <li>Controllare l'avviso mostrato sul display o sull'App. Se accade, fare riferimento al paragrafo <b>6. AVVISI &amp; SOLUZIONI</b></li> <li>Controllare se ci sono ostruzioni nella ventola. Se accade, scollegare prima l'apparecchio e pulire dalle ostruzioni o chiamare il centro di assistenza.</li> <li>Controllare se H-Purifier è acceso.</li> <li>Controllare se il filtro è installato correttamente e bloccato.</li> <li>Controllare se H-Purifier è in posizione verticale e non è in pendenza.</li> <li>Il purificatore d'aria potrebbe essere in modalità ECO. Per uscire dalla modalità ECO, premere semplicemente il pulsante modalità Sleep o il pulsante modalità MAX. Fare riferimento al paragrafo <b>3. USO DI H-PURIFIER – MODALITÀ AUTO.</b></li> </ul>
La ventola non funziona (Pannello di controllo / Spie sul display spente)	<ul style="list-style-type: none"> <li>Controllare se H-Purifier è collegato alla corrente ed è acceso.</li> <li>Controllare l'avviso mostrato sull'App. Se accade, fare riferimento al paragrafo <b>6. AVVISI &amp; SOLUZIONI</b></li> </ul>
Non ci sono spie sul Pannello di Controllo / Display (Ventilatore in funzione)	<ul style="list-style-type: none"> <li>In modalità Sleep, l'impostazione predefinita delle luci è disattivata. Premere il pulsante Controllo Illuminazione per accendere le luci.</li> <li>Le luci potrebbero essere spente. Premere il pulsante Controllo Illuminazione per accendere le luci. Fare riferimento al paragrafo <b>3. USO DI H-PURIFIER – MODALITÀ SLEEP / Funzione CONTROLLO ILLUMINAZIONE.</b></li> </ul>
I pulsanti sul pannello di controllo non funzionano	<ul style="list-style-type: none"> <li>La funzione Child Lock potrebbe essere attiva. Premere e tenere premuto il pulsante CHILD LOCK per 3 secondi per disattivare la funzione. Fare riferimento al paragrafo <b>3. USO DI H-PURIFIER – Funzione CHILD LOCK (Blocco Sicurezza Bambini).</b></li> </ul>
Il Flusso d'Aria è debole	<ul style="list-style-type: none"> <li>Controllare se l'imballaggio di protezione è stato rimosso dal filtro.</li> <li>Controllare se ci sono ostruzioni sulla griglia di entrata dell'aria o nella via di uscita dell'aria.</li> <li>Rimuovere la griglia di entrata dell'aria e controllare le condizioni del filtro. Pulire lo strato esterno del filtro o sostituirlo se necessario. È possibile controllare lo stato della durata del filtro sul display premendo il pulsante Informazioni.</li> <li>Controllare se H-Purifier è in modalità Sleep. In questa modalità la ventola funziona a potenza ridotta.</li> </ul>
H-Purifier funziona rumorosamente	<ul style="list-style-type: none"> <li>Controllare se ci sono ostruzioni nel H-Purifier.</li> <li>Controllare se H-Purifier è in modalità MAX. In questa modalità la ventola funziona a potenza massima.</li> </ul>
H-Purifier è improvvisamente rumoroso	<ul style="list-style-type: none"> <li>Controllare se H-Purifier sta funzionando in modalità Automatica e l'anello luminoso LED della qualità dell'aria non è di colore verde. In Modalità Automatica, H-Purifier adatta automaticamente la velocità della ventola al livello di qualità dell'aria. Fare riferimento al paragrafo <b>3. USO DI H-PURIFIER – MODALITÀ AUTO.</b></li> </ul>
H-Purifier emette improvvisamente un suono acuto.	<ul style="list-style-type: none"> <li>La funzione di test dell'Allarme CO è stata attivata per errore. Il suono si interromperà automaticamente dopo 5 secondi. Fare riferimento al paragrafo <b>1.2 ALLARME MONOSSIDO DI CARBONIO (CO)</b></li> </ul>

## INFORMAZIONI IMPORTANTI

### PARTI DI RICAMBIO E DI CONSUMO HOOVER

Utilizzare sempre parti di ricambio originali Hoover. che è possibile acquistare dal distributore locale Hoover o direttamente sul sito internet Hoover. Quando si ordinano delle parti di ricambio, ricordarsi sempre di fornire il numero di modello dell'apparecchio utilizzato.

### ASSISTENZA E GARANZIA HOOVER

Questo prodotto è garantito, oltre che ai sensi di legge, alle condizioni e nei termini riportati sul certificato di garanzia convenzionale inserito nel prodotto. Il certificato dovrà essere conservato e mostrato al nostro Centro di Assistenza Tecnica Autorizzato, in caso di necessità, insieme allo scontrino comprovante l'acquisto dell'elettrodomestico. Puoi consultare le condizioni di garanzia anche sul nostro sito internet Per ottenere assistenza compila l'apposito form on-line oppure contattaci al numero che trovi indicato nella pagina di assistenza del nostro sito internet. Queste condizioni potrebbero venire modificate senza obbligo di preavviso.

## ALGEMENE VEILIGHEIDSWAARSCHUWINGEN

Dit toestel mag alleen worden gebruikt voor privé huishoudelijk gebruik, zoals beschreven in deze gebruikershandleiding. Zorg ervoor dat deze handleiding volledig begrepen is voordat u het toestel in gebruik neemt en bewaar deze voor toekomstig gebruik.

Controleer of het voltage en de waarden die op het label van het toestel staan, overeenkomen met de lokale netspanning voordat u het toestel aansluit.

Indien het stroomsnoer beschadigd is, stop dan onmiddellijk met het toestel te gebruiken. Om veiligheidsgevaar te vermijden, mag enkel een erkende HOOVER-servicemonteur de stroomkabel vervangen.

Verwijder de stekker niet door aan het netsnoer te trekken.

Leg het snoer zodat niemand erop kan gaan staan of erover kan struikelen.

Schakel het toestel altijd uit en verwijder de stekker uit het stopcontact alvorens het toestel te reinigen of een onderhoudstaak uit te voeren.

Dit toestel kan gebruikt worden door kinderen vanaf 8 jaar en personen met verminderde lichamelijke, zintuiglijke of mentale capaciteiten. Ook personen met een gebrek aan ervaring of kennis kunnen dit toestel gebruiken, indien ze toezicht of instructies hebben gekregen over het veilig gebruik van het toestel en de gevaren in kwestie begrijpen. Kinderen mogen niet met het toestel spelen.

Reinigings- en gebruikersonderhoud mag niet uitgevoerd worden door kinderen zonder toezicht. Het toestel verwijdert geen koolmonoxide (CO) of radon (Rn). Het kan niet gebruikt worden als veiligheidsvoorziening bij ongevallen met verbrandingsprocessen en gevaarlijke chemicaliën.

Blijf dit toestel niet gebruiken wanneer het defect blijkt.

Blokkeer de luchtinlaat of luchtuitlaat niet.

Steek uw vingers of voorwerpen niet in de luchtuitlaat of de luchtinlaat om lichamelijk letsel of slecht functioneren van het toestel te voorkomen.

Maak het toestel niet schoon met water, een andere vloeistof of een (brandbaar) schoonmaakmiddel en laat deze het toestel niet binnendringen om elektrische schokken en/of brandgevaar te voorkomen.

Spuit geen brandbare materialen zoals insecticiden of geur rond het toestel.

Dit toestel is geen vervanging voor goede ventilatie, regelmatig stofzuigen of het gebruik van een afzuigkap of ventilator tijdens het koken.

Gebruik enkel verbruiksartikelen, filters of reserveonderdelen aanbevolen of geleverd door HOOVER.

Zorg ervoor dat het filter correct is geïnstalleerd, voordat u het toestel inschakelt.

Klop niet met harde voorwerpen tegen het toestel (met name de luchtinlaat en -uitlaat).

Houd het product droog.

Kantel of leeg het product nooit tijdens gebruik.

Als het toestel lange tijd niet wordt gebruikt, kunnen er bacteriën op de filters groeien. Controleer de filters na een lange periode van niet-gebruik. Als de filters erg vuil zijn, vervang ze dan.

Om de blijvende veilige en efficiënte werking van dit toestel te verzekeren, bevelen we aan dat alle services uitgevoerd worden door een erkende HOOVER-servicemonteur.

## GEBRUIKSOMGEVING

Plaats en gebruik het product alleen op een droge, stabiele, vlakke horizontale ondergrond, waar het niet kan omkantelen.

Laat minimaal 20 cm vrije ruimte achter en aan beide zijden van het toestel en laat minimaal 30 cm vrije ruimte boven het toestel.

Om interferentie te voorkomen, plaatst u het toestel op minimaal 2 meter afstand van elektrische apparaten die gebruikmaken van radiogolven in de lucht, zoals tv's, radio's en radiogestuurde klokken.

Plaats niets bovenop het toestel.



Gebruik dit apparaat niet als u binnenshuis insectenwerende middelen van het rooktype hebt gebruikt of op plaatsen met olieachtige resten, brandende wierook of chemische dampen.

Plaats het toestel niet op een van de volgende locaties:

- op hete oppervlakken, in de buurt van hete oppervlakken, open vuur of in direct zonlicht, in de buurt van gastoestellen, verwarmingstoestellen of open haarden;
- naast of direct boven kachels of ventilatieopeningen van een airconditioning, deuren, ramen, afzuigventilatoren, kokendwatertoestellen of overal waar het zou worden beïnvloed door tocht;
- in een badkamer of andere gebieden waar het product aan waterspatten, druppels of condensatie blootgesteld kan worden (bijv. onder een airconditioning of boven een waterkoker);
- in een afgesloten ruimte (bijv. in of onder een kast);
- in een gebied waar de temperatuur onder de  $-20\text{ °C}$  kan dalen of boven de  $50\text{ °C}$  kan stijgen;
- in een natte omgeving of in een omgeving met hoge omgevingstemperaturen of een hoge vochtigheid, zoals badkamer, toilet of keuken;
- waar het zou worden belemmerd, bijv. door gordijnen of meubels;
- Waar vuil of stof de sensor zou kunnen blokkeren.

### VEILIGHEIDSINSTRUCTIES VOOR CO-BEWAKING

Als het CO-alarm geactiveerd is, moet u alle ramen en deuren openen (als dat veilig kan). Schakel indien mogelijk alle brandstofverbrandende apparaten uit en evacueer de woning, laat de ramen en deuren open. Zoek onmiddellijk medische hulp voor iedereen die problemen heeft omwille van koolmonoxidevergiftiging. Betreed het pand niet opnieuw totdat het alarm stopt. Het alarm stopt zodra de CO verdwenen is. Gebruik geen brandstofverbrandende apparaten meer totdat de CO-bron gevonden is en verholpen werd door een gekwalificeerde technicus.

Vermijd het gebruik van verf, verdunners, dampen van oplosmiddelen, luchtverfrissers, spuitbussen of chemische reinigingsmiddelen in de buurt van het toestel. Dit kan de werking van de CO Monitor beïnvloeden.

Steek de stekker in een stopcontact om de CO Monitor te activeren. De CO-waarschuwingsled wordt groen weergegeven. Wanneer de CO-monitor een onveilig CO-niveau detecteert, gaat het CO-alarm luid af en knipperen de knop CO Alert en de led-ring voor de luchtkwaliteit in rode kleur. Het alarm blijft rinkelen, totdat de gedetecteerde CO tot een veilig niveau daalt.

Raak de knop [CO Alert] 3 seconden aan om de functie CO-alarm te testen; het alarm zal 5 seconden lang luid afgaan. Test het alarm maandelijks en na langdurige afwezigheid in het gebouw (bijv. na vakantie). Als het alarm niet afgaat nadat u de [CO Alert] -knop gedurende 3 seconden hebt aangeraakt, neem dan contact op met de Hoover-klantenservice om een gekwalificeerde technicus in te schakelen om de storing te herstellen.

Als het display aangeeft dat de CO-sensor defect is of het einde van de levensduur bereikt is, neem dan contact op met het Hoover-klantenservicecentrum om een gekwalificeerde technicus in te schakelen om de CO-sensor te vervangen. De verwachte levensduur van de CO-sensor is 7 jaar; na deze tijd moet de sensor vervangen worden.

Zorg ervoor dat kleine kinderen niet gedurende 3 seconden op de knop CO Alert kunnen drukken, aangezien ze aan overmatig geluid kunnen worden blootgesteld indien het alarm afgaat.

Luchtvochtigheid regelen: 15 – 90% RH

Bedrijfstemperatuur:  $0\text{ °C}$  tot  $+40\text{ °C}$

Koolmonoxide tast het lichaam aan door kritieke zuurstoforganen uit te hongeren (te verstikken). Wanneer CO wordt ingeademd, hecht het zich aan het hemoglobine in het bloed dat normaal gesproken zuurstof door het lichaam transporteert. CO wijzigt permanent het vermogen van zuurstofmoleculen om zich aan het hemoglobine te hechten, waardoor zuurstof naar vitale organen verminderd wordt. Het concentratieniveau en de tijd van blootstelling aan CO, kan de effecten ervan op het lichaam variëren, maar experts zijn het erover eens dat zelfs lage niveaus van blootstelling aan koolmonoxide gedurende langere perioden ernstige en blijvende gevolgen kunnen hebben voor iemands algehele gezondheid.



**WAARSCHUWING:** HET CO ALARM IS ONTWORPEN OM PERSONEN TE BESCHERMEN TEGEN DE ACUTE EFFECTEN VAN BLOOTSTELLING AAN KOOLMONOXIDE OF DE CHRONISCHE EFFECTEN VAN BLOOTSTELLING AAN KOOLMONOXIDE TE VOORKOMEN. DIT BESCHERMT PERSONEN MET SPECIFIEKE MEDISCHE OMSTANDIGHEDEN NIET VOLLEDIG. RAADPLEEG EEN ARTS IN GEVAL VAN TWIJFEL.

De functie CO Monitor mag niet gebruikt worden als, of bedoeld zijn voor gebruik als vervanging voor een EN 50291-1, UL-2034, CSA-6.19 of enige andere erkende standaard gecertificeerde koolmonoxidemelder waar lokale of regionale codes of wetgeving het gebruik hiervan verplicht. De functie CO Monitor is slechts een bijkomend koolmonoxide-bewakingstoestel. Het gebruik van dit toestel is ter discretie van de gebruiker en impliceert het begrip en aanvaarding van de beperkingen ervan om te voldoen aan codes of wetgeving waar van toepassing.

Dit toestel mag niet gebruikt worden als vervanging voor een juiste installatie, gebruik en onderhoud van brandstofverbrandende apparaten, inclusief geschikte ventilatie- en uitlaatsystemen.

De CO Monitor mobiele en tabletmeldingen vereisen een functionele Wi-Fi-verbinding om te werken. Ze zijn geen vervanging voor een externe monitoringdienst door derden.

## VEILIGHEIDSINSTRUCTIES VOOR DE DIFFUSOR

Gebruik alleen aroma-olie aanbevolen of geleverd door HOOVER.

Gebruik geen stand-alone luchtbevochtiger naast de luchtreiniger bij gebruik van de functie Diffusor van H-Essence.

Veeg gemorste H-Essence onmiddellijk af. Zorg ervoor dat u elke hoek van het product schoonmaakt die in contact is geweest met H-Essence.

### Het milieu

Dit toestel is gemerkt volgens de Europese richtlijn 2012/19/EU op afgedankte elektrische en elektronische apparaten (AEEA). Door dit product aan het einde van de levensduur op verantwoorde wijze weg te gooien, voorkomt u mogelijke negatieve gevolgen voor het milieu en de gezondheid, die zouden kunnen ontstaan door een onverantwoorde afvalverwerking van dit product.

Het symbool op dit toestel duidt aan dat dit toestel niet mag behandeld worden als huishoudelijk afval. In de plaats daarvan moet het overhandigd worden aan het geschikte verzamelpunt voor de recyclage van elektrische en elektronische uitrusting. U moet het toestel weggooien in overeenstemming met de lokale voorschriften voor afvalverwerking. Voor meer gedetailleerde informatie over behandeling, herstel en recyclage van dit toestel, gelieve uw lokale gemeentebestuur te contacteren, de dienst voor huishoud- en afvalverwerking of de winkel waar u het toestel kocht.



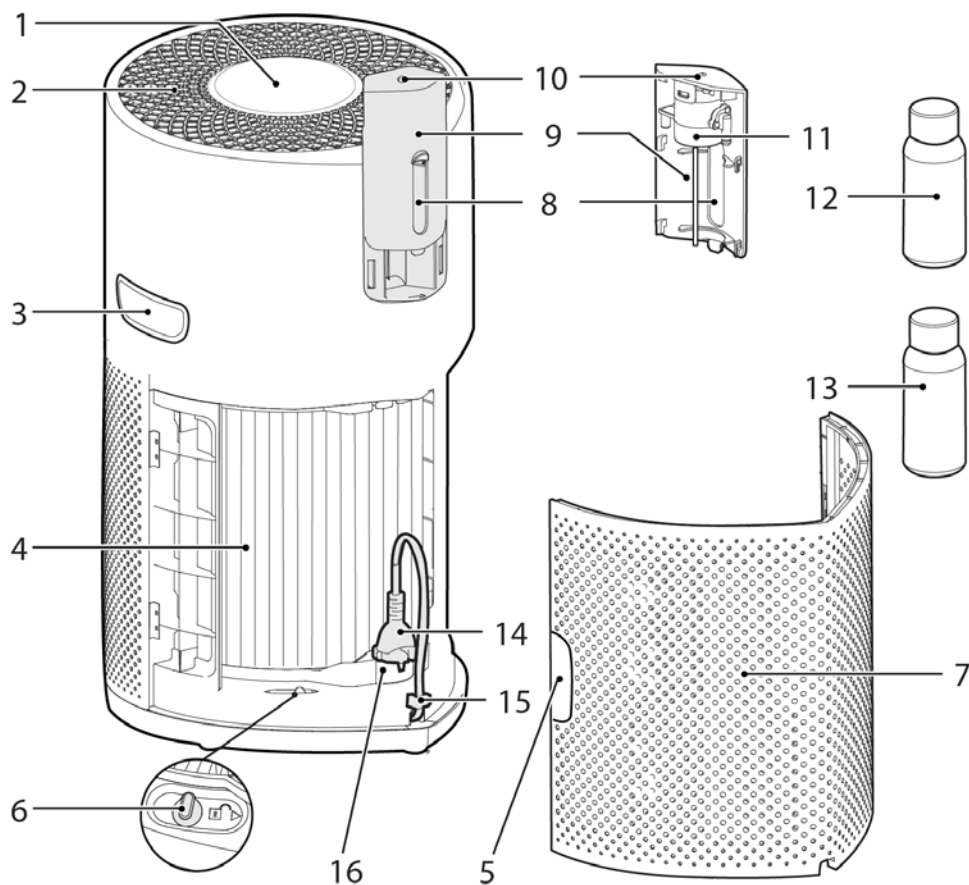
### Draadloze parameters voor koppelen

Technologie	Wi-Fi	Bluetooth
Standaard	IEEE 802.11 b/g/n	Bluetooth v4.2,BLE
Frequentieband(en) (MHz)	2401-2483	2402-2480
Maximale Wattage (mW)	100	10
Maximaal in de frequentieband verstuurd hoogfrequent vermogen	18.9 dBm	

Hierbij verklaart Candy Hoover Group Srl dat de radioapparatuur in overeenstemming is met Richtlijn 2014/53/EU. De volledige tekst van de EU-conformiteitsverklaring is beschikbaar op het volgende internetadres: [www.candy-group.com](http://www.candy-group.com)

CANDY HOOVER GROUP S.r.l. Via Privata Eden Fumagalli, 20861 Brugherio (MB) Italy

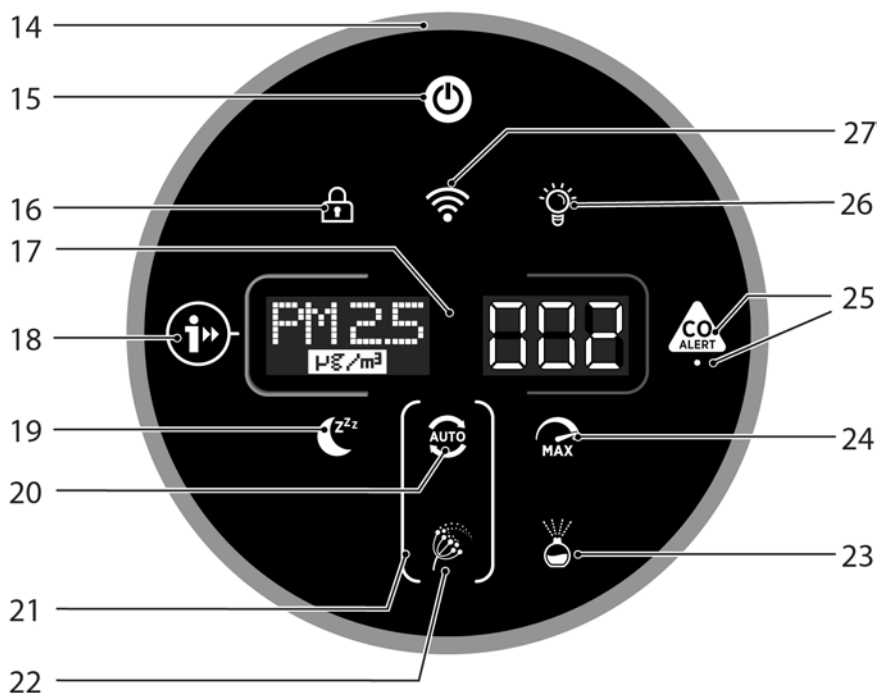
1. LEER UW H-PURIFIER KENNEN



1	Besturingspaneel / Display
2	Luchtuitlaat
3	Draaggreep Product
4	Filter
5	Handgreep van luchtinlaatkap
6	Schakelaar Vrijgave Filter

7	Luchtinlaatklep
8	Diffuservenster
9	Diffuserkap
10	Diffuseruitlaat
11	Diffusereenheid

12	H-Essence Fles
13	H-Biotics-fles
14	Netsnoer en stekker
15	Opslaghaak
16	Transportlocatie



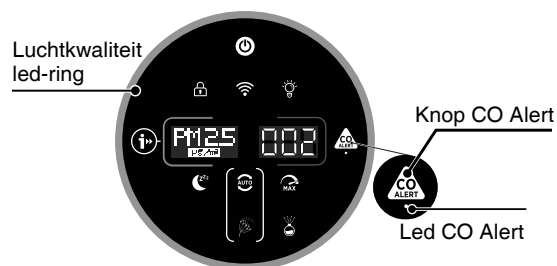
14	Luchtqualiteit led-ring
15	Schakelaar
16	Kinderslot-knop
17	Digitaal beeld
18	Informatieknop
19	Knop modus Slaapstand
20	Knop voor modus Auto
21	Ronde pollenallergielamp
22	Pollenallergielamp
23	Diffuserknop
24	Knop modus Max
25	Knop CO Alert en LED
26	Knop bediening licht
27	Wi-Fi knop

## 1.1 Multi Sensor Systeem

Dankzij het Multi Sensor System controleert uw product continu de binnenluchtconditie voor wat betreft PM10, PM2.5 en vluchtige organische stoffen (GAS).

Elke keer dat u uw product inschakelt, start het Multi Sensor System een analyse van de binnenlucht kwaliteit en zal de led-ring met verschillende kleuren oplichten om de huidige toestand van de luchtkwaliteit weer te geven.

Kleur led-ring Luchtkwaliteit	Binnenluchtkwaliteit	PM 10-waarde* µg/m <sup>3</sup>	PM 2,5-waarde µg/m <sup>3</sup>	GAS VOS- niveau
GROEN	Uitstekend	0-50	0-25	L1
YELLOW	Bevredigend	50-80	25-50	L2
ORANJE	Slecht	80-160	50-100	L3
ROOD	Zeer arm	≥ 160	≥ 100	L4



\* In de modus Pollenallergie zijn PM 10-waarden die het luchtkwaliteitsniveau activeren, lager om het risico voor mensen met een allergische aandoening te minimaliseren.

## 1.2 WAARSCHUWING KOOLMONOXIDE (CO)

De H-Purifier is uitgerust met een waarschuwingssysteem dat de binnenlucht continu bewaakt op de aanwezigheid van koolmonoxide (CO).

Wanneer het koolmonoxidealarm geactiveerd is, knipperen de LED Ring LUCHTKWALITEIT, de knop Informatie & knop CO Alert knippert tegelijkertijd rood en er klinkt een akoestisch alarm. Het alarm blijft actief totdat de koolmonoxide (CO) -concentratie tot onder de 50 ppm gedaald is, tenzij het handmatig gedempt wordt door de knop CO Alert 3 seconden in te drukken.

Dit CO Alert-lampje toont de conditie van de CO-sensor. Dit verschijnt in groene kleur wanneer de CO-sensor in normale toestand is, in gele kleur wanneer de sensor niet goed functioneert of de levensduur overschreden heeft, en in rode kleur wanneer de CO-waarschuwing geactiveerd is.

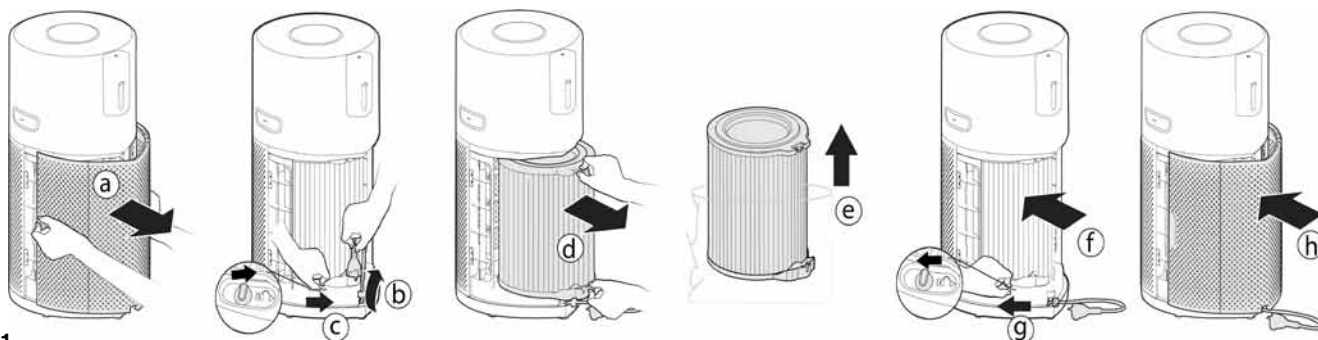
U kunt testen of het alarm goed werkt door de CO-alarmknop 3 seconden ingedrukt te houden. Een luide zoemer zal 5 seconden aanhouden, als het alarm goed werkt.

## 2. UW H-PURIFIER VOORBEREIDEN

### 2.1 HET FILTER INSTALLEREN [Afb. 1]

Voordat u uw H-Purifier gebruikt, moet u het filter uit de beschermende verpakking halen:

- Verwijder het luchtinlaatdeksel van uw product, pak de twee handgrepen van het luchtinlaatdeksel vast en haal het uit het product. **[Afb. 1a]**
- Verwijder de stekker uit de transportlocatie en maak het snoer los van de opslaghaak. **[Afb. 1b]**
- Ontgrendel de vrijgaveschakelaar van het filter. **[Afb. 1c]**
- Verwijder het filter van uw product en verwijder de buitenverpakking. **[Afb. 1d,e]**
- Plaats het filter terug in uw product. **[Afb. 1f]**
- Vergrendel de vrijgaveschakelaar van het filter. **[Afb. 1g]**
- Plaats de luchtinlaatkap terug op uw product. **[Afb. 1h]**

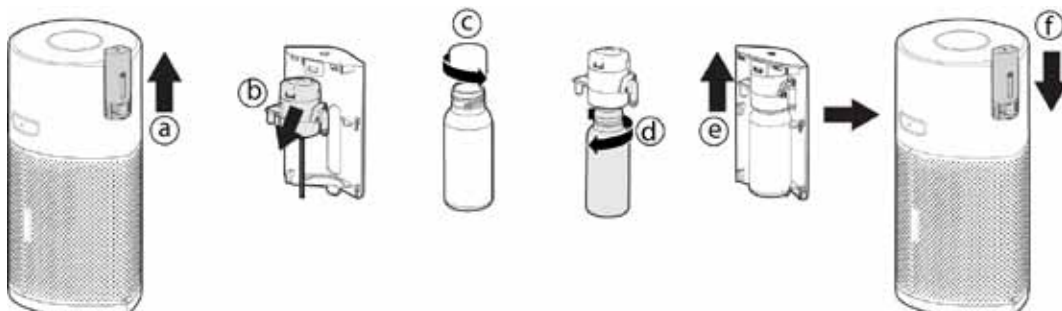


Afb. 1

### 2.2 INSTALLEER DE DIFFUSERFLES [Afb. 2]

Om uw H-Purifier klaar te maken voor de functie Diffuser:

- Verwijder de diffuserkap van het product. **[Afb. 2a]**
- Verwijder de diffusereenheid van de diffuserkap. **[Afb. 2b]**
- Haal de fles H-Essence of H-Biotics uit de verpakking en verwijder de dop. **[Afb. 2c]**
- Bewaar de dop voor gebruik bij toekomstige opslag.
- Schroef de fles stevig vast op de diffusereenheid. **[Afb. 2d]**
- Plaats de diffusereenheid terug in de diffuserkap. **[Afb. 2e]**
- Plaats de diffuserkap terug in het product. **[Afb. 2f]**



Afb. 2

### 3. UW H-PURIFIER GEBRUIKEN

#### 3.1 HET PRODUCT INSCHAKELEN [Afb. 4]:

Trek het netsnoer uit de snoerhaspel en steek de stekker in het stopcontact.

Alle lampjes op het bedieningspaneel/display gaan ongeveer 1 seconde volledig branden om aan te geven dat de stekker goed is aangesloten.

De AAN/UIT-knop is gedimd verlicht en de CO-waarschuwing-led gaat AAN om aan te geven dat de betreffende sensor is begonnen met het controleren van het koolmonoxideniveau binnenshuis.

Druk op de AAN / UIT-knop op het display om uw product in te schakelen.

De LED Ring Luchtkwaliteit zal achtereenvolgens in alle kleuren oplichten terwijl de sensoren de realtime conditie van de lucht analyseren. Na een paar seconden selecteert de LED Ring Luchtkwaliteit de juiste kleur voor de kwaliteit van de lucht op dat moment.

Uw H-Purifier gaat onmiddellijk naar de MODUS AUTO en begint de binnenlucht te zuiveren.

De knop MODUS AUTO, de knop INFORMATIE, de knop CONTROLE VERLICHTING en de informatie over de PM10 gaan branden op het display.



Afb. 4

#### 3.2 UW H-PURIFIER AANSLUITEN

Om overall toegang te krijgen tot alle functies van de H-Reinigers, raadt men aan de hOn-app te downloaden. U kunt uw product op de meest efficiënte manier bedienen.

##### Instructies:

1. Download de hOn-applicatie in de App Store, via Google Play of in de Huawei AppGallery. U kunt deze ook downloaden door de QR-code te scannen in [afb. 5]
2. Open de app, maak een account aan met uw e-mail en een wachtwoord.
3. Bevestig en log in op de hOn-app.
4. Zorg ervoor dat uw mobiele toestel met Wi-Fi verbonden is.
5. Controleer of de H-Purifier ingeschakeld is. Houd de Wi-Fi-knop op het display 5 seconden ingedrukt, er klinkt een pieptoon en de Wi-Fi-knop begint te knipperen om aan te geven dat hij op een verbinding wacht. [Afb. 6]
6. Volg de instructies in de app om uw mobiele toestel met uw product te verbinden.
7. Wanneer de verbinding tot stand gebracht is, blijft de Wi-Fi-knop op het product verlicht.
8. Om de Wi-Fi opnieuw in te stellen, houdt u de Wi-Fi-knop 5 seconden ingedrukt.

De H-Purifier werkt ook met Hey Google en Amazon Alexa.



Afb. 5

#### 3.3 ALLE FUNCTIES ONTDEKKEN

##### INFORMATIE Functie [Afb. 7]:

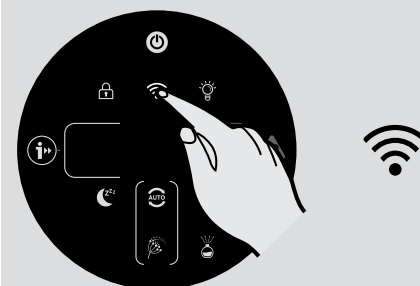
Er zijn 6 verschillende datasets beschikbaar voor controle:

PM10, PM2.5, GAS, temperatuur, vochtigheid en filterstatus.

Om elke waarde te controleren, drukt u meerdere malen op de knop INFORMATIE.

Standaard toont het display de PM10-gegevens, de machine onthoudt de laatste selectie van de gebruiker en behoudt deze selectie de volgende keer dat het product wordt ingeschakeld.

De GAS-gegevens laten een draaiende cursor zien gedurende de eerste 3 minuten na inschakeling van het product terwijl de GAS-sensor een kalibratiecyclus uitvoert.

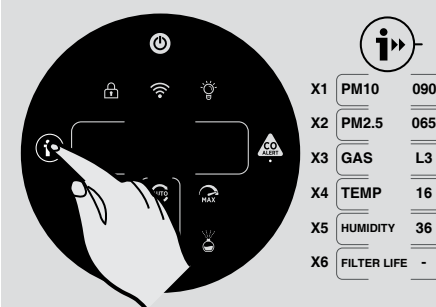


Afb. 6

##### Meer informatie over PM 2.5, PM 10 en GAS:

PM duidt op fijne deeltjes (niet zichtbaar voor het menselijk oog) die voornamelijk afkomstig zijn van vervuiling buitenshuis, zoals voertuigen en industriële emissies, en mogelijk gevaarlijk zijn voor onze gezondheid bij langdurige blootstelling.

PM 10 hebben een grootte tot 10 µm en kunnen de bovenste luchtwegen (neus, luchtpijp, keelholte) binnendringen. PM2.5 zijn tot 2.5 µm groot en kunnen, gezien hun kleine afmeting, onze longen bereiken en zo dieper in ons lichaam doordringen. GAS VOC (vluchtige organische stoffen) zijn vluchtige chemische verbindingen die bij kamertemperatuur gemakkelijk in de lucht kunnen verdampen. Deodorants, detergents, lijmen, kleefstoffen, cosmetica, formaldehyde zijn slechts enkele van de VOS die in onze huizen aanwezig kunnen zijn, maar die mogelijk schadelijk zijn voor onze gezondheid in geval van langdurige blootstelling.



Afb. 7

##### MODUS Functies:

Er zijn 3 beschikbare luchtzuiveringsmodi: MODUS AUTO, MODUS MAX & MODUS SLAAPSTAND.

Modus Auto is de standaardinstelling voor uw product wanneer het ingeschakeld is, alle modi kunnen handmatig geselecteerd worden door op de desbetreffende knop op het display te drukken.

De modus POLLENALLERGIE kan ook via de hOn-app geactiveerd worden.

##### MODUS AUTO [Afb. 8]:

Dit is de standaard modus van uw H-Purifier wanneer het voor het eerst wordt ingeschakeld. In de automatische modus past de H-Purifier automatisch de ventilatorsnelheid aan het werkelijke kwaliteitsniveau van de binnenlucht aan om altijd een optimale luchtzuivering te garanderen.

Dit is de aanbevolen instelling voor uw product.

In de modus AUTO gaat uw product na 30 minuten uitstekende luchtkwaliteit naar een modus ECO (stand-byfunctie) door de zuiveringsfunctie te pauzeren (ventilator), het Multi Sensor System blijft de binnenlucht analyseren en schakelt, indien nodig, de zuiveringsfunctie automatisch in.



Afb. 8

**MODUS MAX [Afb. 9]:**

Druk op de knop modus MAX op het display om luchtzuivering bij maximale vermogensinstelling te activeren. Om de modus MAX te verlaten, selecteert u gewoon de modus AUTO of de modus SLAAPSTAND.

**MODUS SLAAPSTAND [Afb. 10]:**

Druk op de knop modus SLAAPSTAND om luchtzuivering te activeren met de laagste stille krachtinstelling. De knop voor de modus SLAAPSTAND is gedimd verlicht en alle andere scherm lampjes zijn uit. Dit kan gewijzigd worden door op de knop CONTROLE VERLICHTING te drukken.

**MODUS POLLENALLERGIE: [Afb. 11]**

De modus POLLENALLERGIE kan alleen via de hOn-app geactiveerd worden. U moet eerst een profiel in de app activeren en registreren om uw Pollenallergie-profiel aan te maken.

De modus Pollenallergie werkt alleen wanneer de MODUS AUTO geselecteerd is. [Afb. 11c]

In de modus Pollenallergie ontvangt het toestel continu realtime gegevens van de app over de gedetecteerde pollenconcentratie buitenshuis en werkt het automatisch om de prestaties van het opvangen van de pollen te maximaliseren.

Zodra pollen opgevangen zijn, worden ze gedeactiveerd om de allergische symptomen te verlichten. Wanneer de modus Pollenallergie geactiveerd is in de app, zijn er 2 meldingslampjes beschikbaar op het productdisplay:

- De Pollenallergielamp is **WIT** [Afb. 11a]: Het toestel en de app controleren de aanwezigheid van pollen buitenshuis en er is geen risico aanwezig.

- De Pollenallergielamp wordt **GEEL** en de ronde Pollenallergielamp is **WIT** [Afb. 11b]: Het toestel en de app hebben risico's gedetecteerd.

Als het product handmatig in de modus SLAAPSTAND of de modus MAX wordt gezet terwijl de pollenallergiemodus geactiveerd is, stopt de pollenallergiemodus.

**Functie CONTROLE VERLICHTING: [Afb. 12]**

Er zijn 3 instellingen beschikbaar voor de displayverlichting, Aan, Dimmen & Uit

Om de helderheid van de displayverlichting aan te passen, drukt u gewoon op de knop CONTROLE VERLICHTING op het display om de 3 beschikbare opties te doorlopen. AAN is de standaardinstelling.

Als UIT geselecteerd is, moet elke andere knop tweemaal ingedrukt worden voor activering, na één druk op de knop schakelen de lampjes over op DIM, bij de tweede druk wordt de actie ingeschakeld.

**Functie KINDERSLOT: [Afb. 13]**

Houd de knop KINDERSLOT 3 seconden ingedrukt om het te activeren, er volgt een geluidssignaal wanneer het geactiveerd is en de knop KINDERSLOT blijft verlicht. Geen andere knoppen werken wanneer dit geactiveerd is.

Om deze functie te verlaten, houdt u gewoon de knop KINDERSLOT 3 seconden ingedrukt, u hoort een geluidssignaal dat bevestigt dat het uit is en dat de knop niet meer verlicht is.

**Functie DIFFUSER: [Afb. 14]**

De diffuser verspreidt H-Essence of H-Biotics in de lucht van de kamer. H-Essence is de Hoover-collectie van essentiële oliën om aangename geuren in de lucht te verspreiden.

H-Biotics is een natuurlijk mengsel op basis van probiotica dat de kamer biologisch gehydrogeneerd houdt door de groei van micro-organismen zoals bacteriën of microben te remmen.

Er zijn 4 verschillende instellingen voor de functie DIFFUSER, SOFT, MEDIUM, CUSTOM & H-BIOTICS. Om deze functie te activeren, drukt u gewoon op de knop Diffuser op het display, de standaardinstelling hiervoor is SOFT, om een van de andere instellingen te selecteren, drukt u meerdere malen achtereenvolgens op de knop om naar de gewenste selectie om te schakelen. De knop licht wit op wanneer deze ingeschakeld is.

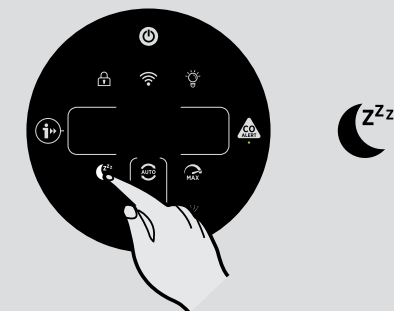
Het wordt aanbevolen om SOFT & MEDIUM-instellingen te gebruiken voor H-Essence.

De instelling CUSTOM kan alleen worden aangemaakt in de hOn-app.

Bij gebruik van H-Biotics MOET de instelling op H-Biotics ingesteld worden. Zodra de gebruiker met behulp van de app H-Biotics activeert, geeft dit na 120 uur een melding voor "H-BIOTICS ACTIVEREN" om het gebruik van H-Biotics om de 5 dagen te garanderen.



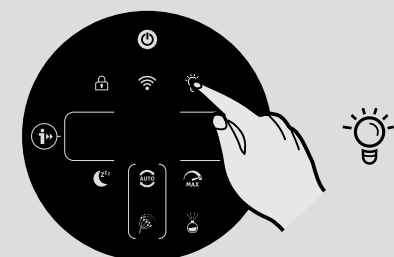
Afb. 9



Afb. 10



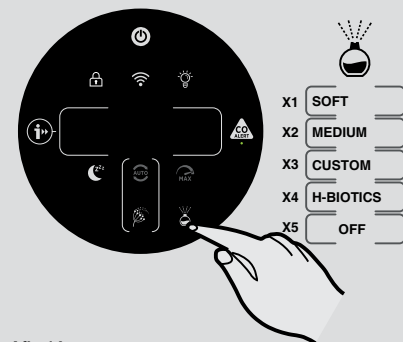
Afb. 11



Afb. 12



Afb. 13



Afb. 14

Wanneer H-Essence in bepaalde instellingen of kameromgevingen wordt gebruikt, kan het GAS VOS-niveau wijzigen vanwege de detectie van de geuren. De functie Diffuser werkt alleen, wanneer de led-ring van de luchtkwaliteit een groene kleur heeft. Deze pauzeert, wanneer de led-ring niet groen is en gaat verder met het bedrijf, wanneer de groene kleur terugkeert. De functie Diffuser kan alleen gebruikt worden in de modi AUTO & MAX en kan niet gebruikt worden in de modus SLAAPSTAND. Wanneer de functie Diffuser in de AUTO-modus wordt geactiveerd, werkt de hoofdventilator met een specifieke snelheid om de H-Essence of de H-Biotics in de kamer te verspreiden.

Instelling	Timing diffusie	Max. duur cyclus
SOFT	gedurende 10 sec om de 5 min	6 uur
MEDIUM	gedurende 90 sec om de 3,5 min	6 uur
CUSTOM	Gedefinieerde gebruiker	6 uur
H-BIOTICS	gedurende 2 min om de 4 min	6 uur

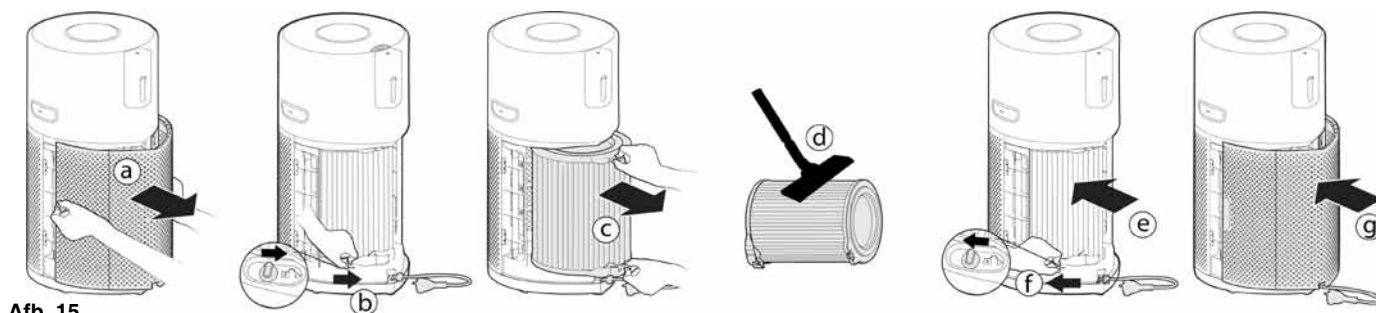
## 4. ONDERHOUD VAN UW H-PURIFIER

### 4.1 ONDERHOUD VAN HET FILTER

Uw H-Purifier controleert de status van uw filter. Aan de linkerkant van het scherm verschijnt een waarschuwing **FILTER SCHOONMAKEN OF FILTER VERVANGEN**, dit knippert om aan te geven dat er actie moet worden ondernomen om het filter schoon te maken of te vervangen.

Het filter reinigen/vervangen: [Afb. 15]

- Verwijder de luchtinlaatkap van uw product. [Afb. 15a]
- Ontgrendel de vrijgaveschakelaar van het filter. [Afb. 15b]
- Verwijder het filter van uw product. [Afb. 15c]
- Gebruik een stofzuiger om de uitwendige laag op het filter schoon te maken of vervang het door een NIEUW filter. [Afb. 15d]
- Plaats het filter terug in uw product. [Afb. 15e]
- Vergrendel de vrijgaveschakelaar van het filter. [Afb. 15f]
- Plaats de luchtinlaatkap terug op uw product. [Afb. 15g]
- Sluit uw toestel aan op de stroomvoorziening en schakel het in.
- Druk op de INFORMATIE-knop om de reinigings-/vervangingswaarschuwingen te resetten door de knop 3 seconden ingedrukt te houden, een geluidssignaal geeft aan dat de reset is gelukt. [Afb. 7]



Afb. 15

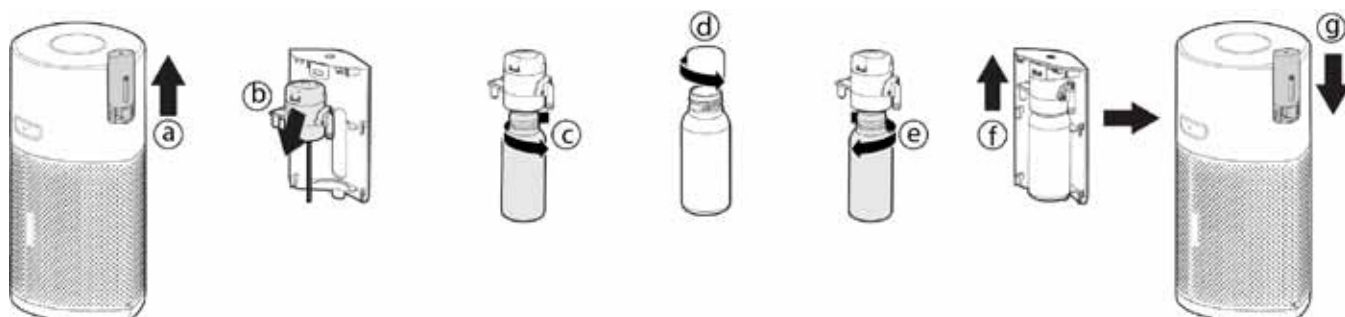
### 4.2 ONDERHOUD DIFFUSER

Gebruik na elk gebruik van de functie Diffuser een droge, zachte doek om eventuele resten van de productoppervlakken te verwijderen.

Vervanging Diffuserfles: [Afb. 16]

Het vloeistofvolume in de fles kan gecontroleerd worden via het diffuservenster, indien nodig moet de fles vervangen worden.

- Verwijder de diffuserkap van het product. [Afb. 16a]
- Verwijder de diffusereenheid en -fles van de diffuserkap. [Afb. 16b]
- Schroef de lege fles los en verwijder deze. [Afb. 16c]
- Haal de nieuwe fles H-Essence of H-Biotics uit de verpakking en verwijder de dop. [Afb. 16d]
- Schroef de nieuwe fles stevig vast op de diffusereenheid. [Afb. 16e]
- Plaats de diffusereenheid terug in de diffuserkap. [Afb. 16f]
- Plaats de diffuserkap terug in de H-luchtreiniger. [Afb. 16g]

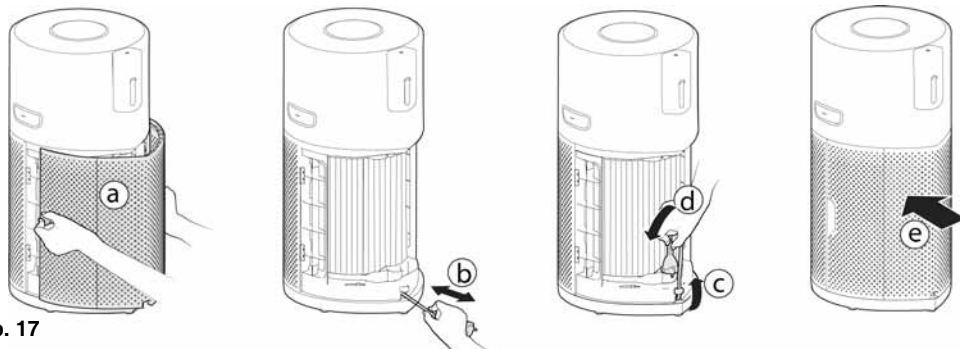


Afb. 16



## 5. OPSLAG VAN UW H-PURIFIER

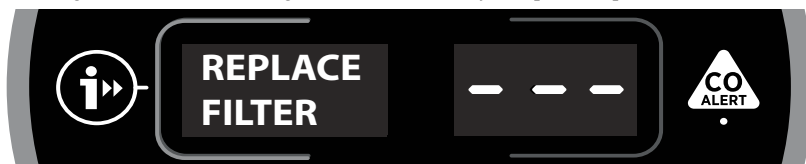
- Schakel de H-Purifier uit en trek de stekker van het stroomsnoer uit het stopcontact.
- Reinig alle interne en externe oppervlakken van de H-Purifier en de externe laag van het filter.
- Haal de fles uit de diffuser. Plaats de originele dop terug op de fles en bewaar deze ter bescherming tegen direct licht. Maak de oppervlakken van de diffusereenheid en de diffuserkap schoon. Zorg ervoor dat er geen resten van H-Essence of H-Biotics op enig oppervlak van de H-Purifier achterblijven.
- Zorg ervoor dat alle onderdelen droog zijn.
- Verwijder het luchtinlaatdeksel [Fig. 17a], rol het netsnoer op door aan het snoer te trekken [Fig. 17b], steek het snoer in de opberghaak en steek de stekker in de transportlocatie. [Afb. 17c,d] Plaats het luchtinlaatdeksel terug. [Afb. 17e]
- Bewaar de H-Purifier op een koele, droge plaats.



Afb. 17

## 6. WAARSCHUWINGEN & OPLOSSINGEN

Tijdens het gebruik kunnen de volgende codes verschijnen. [Afb. 18]



Afb. 18

Waarschuwing		Beschrijving waarschuwing	Oplossing
Waarschuwing op product	Waarschuwing in de app		
"FILTER REINIGEN"	Waarschuwing voorfilter reinigen	Stelt voor om de externe laag van het filter te reinigen.	1. Reinig de externe laag van het filter. 2. Reset de waarschuwing door de knop INFORMATIE gedurende 3 sec ingedrukt te houden. <b>Zie 4.1 ONDERHOUD FILTER</b>
"FILTER VERVANGEN"	Waarschuwing filter vervangen	Stelt voor om het filter te vervangen.	1. Vervang het filter. 2. Reset de waarschuwing door de knop INFORMATIE gedurende 3 sec ingedrukt te houden. <b>Zie 4.1 ONDERHOUD FILTER</b>
"FILTER ONTBREEKT"	Fout: er is een fout opgetreden met de H-Purifier. Controleer de mogelijke oplossingen	Filter zit niet op zijn plaats of is niet correct vergrendeld	1. Als het filter niet aanwezig is, plaats het dan terug. 2. Als het filter op zijn plaats zit, controleer dan of de vrijgaveschakelaar van het filter in de LOCK-status geschakeld is. <b>Zie 2.1 HET FILTER INSTALLEREN</b>
"PM SENSOR FOUT"	/	PM-sensor werkt niet goed	Storing van PM-sensor of draad van sensor is niet goed aangesloten, bel het servicecentrum om dit te repareren.
CO-waarschuwing led is geel	Fout: er is een fout opgetreden met de H-Purifier. Controleer de mogelijke oplossingen	Storing van CO-sensor of CO-sensor heeft zijn gebruikslevensduur overschreden.	Bel het servicecentrum om dit te repareren.
/	Fout: er is een fout opgetreden met de H-Purifier. Controleer de mogelijke oplossingen	Motorstoring	Motorstoring of motordraad is niet goed aangesloten, bel het servicecentrum om dit te verhelpen.
"TEMP. & VOCHTIGHEID SENSOR FOUT"	/	Temperatuur- en vochtigheidssensor hebben een storing	Storing van temperatuur- en vochtigheidssensor of draad van sensor is niet goed aangesloten, bel het servicecentrum om dit te repareren.
"PAUZE"	/	De werking van de diffusor pauzeert, wanneer de led-ring van de luchtkwaliteit niet groen is.	Geen actie nodig. De diffusor werkt weer, wanneer de led-ring van de luchtkwaliteit groen is.

**WAARSCHUWING:** Indien één van deze storingen voortduurt, neem dan contact op met uw lokale Hoover vertegenwoordiger. Probeer de H-Purifier NIET zelf te demonteren.



## 7. PROBLEEM OPLOSSEN

De volgende lijst is een lijst van algemeen gevonden problemen en oplossingen.

Als een van deze problemen blijft bestaan, neem contact op met uw plaatselijk Hoover verkooppunt.

De ventilator werkt niet (Besturingspaneel / Display licht aan)	<ul style="list-style-type: none"> <li>Controleer de waarschuwing op het display of in de app. Als die er is, zie dan <b>6. WAARSCHUWINGEN EN OPLOSSINGEN</b>.</li> <li>Controleer of er obstakels in de ventilator zijn. Als die er zijn, haalt u eerst de stekker van het product uit het stopcontact en verwijdert u het obstakel, of belt u het servicecentrum om het te verwijderen.</li> <li>Controleer of de H-Purifier ingeschakeld is.</li> <li>Controleer of het filter correct is geïnstalleerd en in de vergrendelde toestand staat.</li> <li>Controleer of de H-Purifier volledig rechtop staat en nergens op leunt.</li> <li>De H-Purifier kan in de ECO-modus staan. Druk op de knop Modus Slaapstand of de knop Modus Max om de ECO-modus te verlaten. Zie <b>3. UW H-LUCHTREINIGER GEBRUIKEN – MODUS AUTO</b>.</li> </ul>
De ventilator werkt niet (Besturingspaneel / Display lichten uit)	<ul style="list-style-type: none"> <li>Controleer of de H-Purifier aangesloten en ingeschakeld is.</li> <li>Controleer de waarschuwing in de app. Als die er is, zie dan <b>6. WAARSCHUWINGEN EN OPLOSSINGEN</b>.</li> </ul>
Geen lampjes op het besturingspaneel / Display (Ventilator werkt)	<ul style="list-style-type: none"> <li>In de Modus Slaapstand is de standaardinstelling van de lampjes uit. U kunt op de knop Bediening licht drukken om de lampjes in te schakelen.</li> <li>De lampjes kunnen zijn uitgeschakeld. Druk op de knop Bediening licht om de lampjes in te schakelen. Zie <b>3. UW H-LUCHTREINIGER GEBRUIKEN – MODUS SLAAPSTAND / Functie CONTROLE VERLICHTING</b>.</li> </ul>
Knoppen op het besturingspaneel werken niet	<ul style="list-style-type: none"> <li>Het kinderslot kan geactiveerd zijn. U kunt gedurende 3 seconden op de knop KINDERSLOT drukken en deze ingedrukt houden om dit te verlaten. Zie <b>3. UW H-LUCHTREINIGER GEBRUIKEN – Functie KINDERSLOT</b>.</li> </ul>
Luchtstroom is zwak	<ul style="list-style-type: none"> <li>Controleer of de beschermende verpakking van het filter verwijderd is.</li> <li>Controleer of er obstructies zijn in de luchtinlaatkap of in de luchtuitlaat.</li> <li>Verwijder de luchtinlaatklep en controleer de toestand van het filter. Reinig de externe laag of vervang het filter, indien nodig. U kunt de status van de filterlevensduur controleren op het display door op de knop Informatie te drukken.</li> <li>Controleer of de H-Purifier in de modus slaapstand staat. De ventilator werkt in deze modus op verminderd vermogen.</li> </ul>
H-Purifier werkt luid	<ul style="list-style-type: none"> <li>Controleer of er obstakels in de H-Purifier zijn.</li> <li>Controleer of de H-Purifier in de Modus Max. werkt. De ventilator werkt in deze modus op maximaal vermogen.</li> </ul>
H-Purifier werkt plotseling luid	<ul style="list-style-type: none"> <li>Controleer of de H-Purifier in de Modus Auto werkt en of de led-ring voor de luchtkwaliteit niet groen is. In de automatische modus past de H-Purifier automatisch de ventilatorsnelheid aan het werkelijke kwaliteitsniveau van de binnenlucht aan. Zie <b>3. UW H-LUCHTREINIGER GEBRUIKEN – MODUS AUTO</b>.</li> </ul>
De H-Purifier laat plotseling een luide zoemer horen	<ul style="list-style-type: none"> <li>De testfunctie van de CO-alarmknop wordt geactiveerd door een verkeerde bediening. Het geluid stopt automatisch na 5 seconden. Zie <b>1.2 WAARSCHUWING KOOLMONOXIDE (CO)</b></li> </ul>

## BELANGRIJKE INFORMATIE

### Originele reserveonderdelen en toebehoren van Hoover

Gebruik uitsluitend originele reserveonderdelen van Hoover. Deze zijn verkrijgbaar bij uw Hoover dealer. Als u onderdelen bestelt, vermeld dan altijd het modelnummer.

### KWALITEIT

De fabrieken van Hoover zijn op onafhankelijke wijze getest op kwaliteit.. Onze producten worden vervaardigd aan de hand van een kwaliteitssysteem dat voldoet aan de vereisten van ISO 9001.

### JOUW GARANTIE

De garantievoorzwaarden voor dit toestel worden bepaald door onze vertegenwoordiger in het land waar het toestel wordt verkocht. Details omtrent deze voorwaarden zijn verkrijgbaar bij de dealer waar u het toestel hebt gekocht. Wanneer u aanspraak wilt maken op deze garantie, dan moet u het verkoop- of ontvangstbewijs voorleggen.

Wijzigingen zijn zonder voorafgaande kennisgeving mogelijk.

## AVISOS GERAIS DE SEGURANÇA

Este aparelho deve ser utilizado apenas para fins domésticos, conforme descrito neste guia do utilizador. Certifique-se de que este guia é totalmente entendido antes de utilizar o aparelho e guarde-o para futura referência.

Verifique se a tensão e as classificações nominais indicadas no rótulo do aparelho correspondem à tensão de alimentação local antes de ligar o aparelho.

Se o cabo de alimentação estiver danificado deixe de utilizar o aparelho imediatamente. Para evitar um risco de segurança, o cabo de alimentação deve ser substituído por um técnico de assistência autorizado da Hoover.

Não retire a ficha ao puxar pelo cabo de alimentação.

Coloque o cabo de alimentação de forma a que ninguém possa calcá-lo ou tropeçar no mesmo. Desligue sempre o aparelho e retire da tomada antes de deslocar ou limpar o aparelho ou efetuar qualquer tarefa de manutenção.

Este aparelho pode ser utilizado por crianças com idade igual ou superior a 8 anos e por pessoas com capacidades mentais, sensoriais e físicas reduzidas ou sem experiência e conhecimento caso lhes sejam fornecidas instruções e supervisão relativas à utilização do aparelho de modo seguro e caso compreendam os perigos envolvidos. As crianças não devem brincar com o aparelho.

A limpeza e a manutenção não devem ser efetuadas por crianças sem supervisão.

O aparelho não remove o monóxido de carbono (CO) ou rádio (Rn). Não pode ser utilizado como dispositivo de segurança em caso de acidentes com processos de combustão e químicos perigosos.

Não continue a utilizar o aparelho se este parecer defeituoso.

Não bloqueie a entrada de ar ou a saída de ar.

Não introduza os seus dedos ou objetos na saída ou entrada de ar para impedir ferimentos físicos ou a avaria do aparelho.

Não limpe o aparelho com água, qualquer outro líquido ou um detergente (inflamável) nem permita que entrem para o aparelho para evitar o choque elétrico e/ou um risco de incêndio.

Não pulverize quaisquer materiais inflamáveis, tais como inseticidas ou fragrância, em redor do aparelho.

Este aparelho não é um substituto de uma ventilação apropriada, aspiração habitual, ou utilização de um exaustor ou ventoinha enquanto cozinha.

Utilize exclusivamente consumíveis, filtros ou peças sobresselentes recomendados ou fornecidos pela HOOVER.

Certifique-se de que o filtro está instalado corretamente antes de ligar o aparelho.

Evite bater contra o aparelho (em particular, na entrada e saída de ar) com objetos duros.

Mantenha o produto seco.

Nunca incline ou esvazie o produto durante o funcionamento.

Quando o aparelho não é utilizado durante um longo período, poderão crescer bactérias nos filtros. Verifique os filtros após um longo período de inutilização. Se os filtros estiverem muito sujos, substitua-os.

Para assegurar o funcionamento seguro e eficiente deste aparelho, recomendamos que todas as intervenções de assistência ou reparação sejam efetuadas apenas por um técnico de assistência autorizado da Hoover.

## AMBIENTE DE UTILIZAÇÃO

Coloque e utilize o produto apenas numa superfície horizontal seca, estável e nivelada, para que esteja excluída a queda.

Deixe pelo menos, 20 cm de espaço livre atrás e em ambos os lados do aparelho e deixe pelo menos, 30 cm de espaço livre por cima do aparelho.

Para impedir a interferência, coloque o aparelho pelo menos 2 m afastado de aparelhos elétricos que utilizem ondas de rádio transmitidas pelo ar, como televisões, rádios, e relógios controlados por rádio.

Não coloque nada sobre o aparelho.

Não utilize este aparelho quando utilizar repelentes de insetos com fumo no interior ou em locais com resíduos oleosos, incenso a arder ou fumos químicos.

Não coloque o aparelho em nenhuma das seguintes localizações:

- Em superfícies quentes, perto de superfícies quentes, incêndios abertos ou luz solar direta, perto de aparelhos de gás, dispositivos de aquecimento ou lareiras;
- Junto de ou diretamente sobre aquecedores ou aberturas de ar condicionado, portas, janelas, exaustores, fogões ou em qualquer outro local onde seria afetado por correntes de ar;
- Numa casa de banho ou noutras áreas onde o produto poderá ser exposto a salpicos de água, gotejamento ou condensação (por ex., diretamente abaixo do ar condicionado ou sobre uma chaleira elétrica);
- Num espaço fechado (por ex., dentro ou por baixo de um armário);
- Numa área onde a temperatura poderá descer abaixo dos  $-20\text{ }^{\circ}\text{C}$  ou subir acima dos  $50\text{ }^{\circ}\text{C}$ ;
- Num compartimento com grandes alterações de temperatura, em ambientes húmidos ou ambientes com elevadas temperaturas ou humidade elevada, como a casa de banho, balneários ou cozinha;
- Onde ficaria obstruído, por ex., por cortinas ou mobília;
- Em locais onde a sujidade ou o pó poderiam bloquear o sensor.

### INSTRUÇÕES DE SEGURANÇA DO MONITOR DE CO

Se o alarme CO for ativado, deve abrir todas as janelas e portas (se for seguro fazê-lo). Desligue todos os aparelhos que queimam combustível, se possível, e, em seguida evacue a propriedade deixando as janelas e portas abertas. Obtenha assistência médica imediatamente para qualquer pessoa que sofra os efeitos de envenenamento por monóxido de carbono. Não volte a entrar na propriedade até o alarme parar. O alarme irá parar quando o CO desaparecer. Não utilize aparelhos que queimam combustível novamente até a fonte de CO ter sido localizada e retificada por um técnico qualificado.

Evite utilizar tinta, aglutinantes, fumos de solventes, ambientadores, sprays aerossóis ou produtos de limpeza químicos próximo do aparelho. Isto poderá afetar o funcionamento do CO Monitor.

Para ativar o CO Monitor, ligue a ficha a uma tomada. O Led de alerta de CO muda para verde. Quando o CO Monitor detetar um nível inseguro de CO, o alarme de CO irá soar ruidosamente e o botão CO Alert e o LED ring de qualidade do ar piscará a vermelho. O alarme continuará a soar até o CO detetado ser reduzido para um nível seguro.

Toque no botão [CO Alert] durante 3 segundos para testar a função de Alarme de CO e o alarme soará ruidosamente durante 5 segundos. Teste o alarme mensalmente e pós uma ausência prolongada do edifício (por ex., depois das férias). Se o alarme não soar depois de tocar no botão [CO Alert] durante 3 segundos, contacte o centro de apoio ao cliente da Hoover para agendar a reparação da avaria com um técnico qualificado.

Se o visor indicar que o sensor de CO está avariado ou que o fim da vida útil foi alcançado, contacte o centro de apoio ao cliente da Hoover para agendar a substituição do sensor de CO com um técnico qualificado. A vida útil prevista do sensor de CO é de 7 anos e tem de ser substituído após este período.

Não permita que crianças pequenas primam o botão CO Alert durante 3 segundos, uma vez que poderão estar sujeitas a um ruído excessivo aquando o alarme soar.

Humidade de funcionamento: 15 – 90% RH

Temperatura de funcionamento:  $0\text{ }^{\circ}\text{C}$  a  $+40\text{ }^{\circ}\text{C}$

O monóxido de carbono afeta o corpo ao esgotar (sufocar) o oxigénio de órgãos críticos. Quando o CO é inalado, liga-se à hemoglobina no sangue que normalmente transporta oxigénio pelo corpo. O CO remove permanentemente a capacidade das moléculas de oxigénio de se ligarem à hemoglobina, reduzindo assim o oxigénio dos órgãos vitais. O nível de concentração e o tempo exposto ao CO podem variar os seus efeitos no corpo, mas os especialistas concordam que mesmo níveis baixos de exposição ao monóxido de carbono ao longo de períodos prolongados pode ter efeitos graves e duradouros na saúde geral de uma pessoa.

**ATENÇÃO:** O ALARME CO DESTINA-SE A PROTEGER AS PESSOAS CONTRA OS EFEITOS AGUDOS DA EXPOSIÇÃO AO MONÓXIDO DE CARBONO OU IMPEDIR OS EFEITOS CRÓNICOS DA EXPOSIÇÃO AO MONÓXIDO DE CARBONO. NÃO IRÁ SALVAGUARDAR NA ÍNTEGRA AS PESSOAS COM CONDIÇÕES MÉDICAS ESPECÍFICAS. EM CASO DE DÚVIDA, CONSULTE UM PROFISSIONAL DE SAÚDE.

A função CO Monitor não deverá ser utilizada como, nem se deverá implicar a sua utilizar como substituto para um EN 50291-1, UL-2034, CSA-6.19 ou qualquer outro alarme de monóxido de carbono certificado por norma reconhecida onde os códigos locais ou regionais ou a legislação estipularem a sua utilização. A função CO Monitor é apenas um dispositivo de monitorização do monóxido de carbono suplementar. A utilização deste dispositivo fica ao critério do utilizador e implica a compreensão e aceitação das suas limitações em aderir aos códigos ou legislação, quando aplicável.

Este aparelho não deve ser utilizado como substituto à instalação, utilização e manutenção corretas de aparelhos de queima de combustível, incluindo sistemas de exaustão e ventilação apropriados.

As notificações móveis e no tablet do CO Monitor exigem uma ligação Wi-Fi funcional para funcionarem. Não são um substituto de um serviço de monitorização de emergência de terceiros.

## INSTRUÇÕES DE SEGURANÇA DO DIFUSOR

Utilize apenas o óleo aromático recomendado ou fornecido pela HOOVER.

Evite utilizar o humidificador autónomo junto do purificador de ar quando utilizar a função de difusor do H-Essence.

Limpe qualquer derrame do H-Essence imediatamente. Certifique-se de que limpa todos os cantos do produto que tenham estado em contacto com o H-Essence.

### Ambiente

Este electrodoméstico está marcado de acordo com o disposto na directiva europeia 2012/19/EU relativa aos resíduos de equipamentos eléctricos e electrónicos (REEE). Ao garantir que este produto é eliminado de forma correta, estará a contribuir para evitar potenciais consequências negativas para o ambiente e a saúde humana, o que pode ocorrer devido a um tratamento inadequado dos resíduos deste produto.



O símbolo no aparelho indica que este não pode ser tratado como resíduo doméstico. Pelo contrário, deve ser encaminhado para o ponto de recolha aplicável para reciclagem de equipamento eléctrico e electrónico. A eliminação deve ser realizada em conformidade com as leis ambientais locais relativas à eliminação de resíduos. Para obter informações mais detalhadas sobre o tratamento, recuperação e reciclagem deste produto, contacte as autoridades locais, o serviço de eliminação de resíduos domésticos ou a loja onde adquiriu o produto.

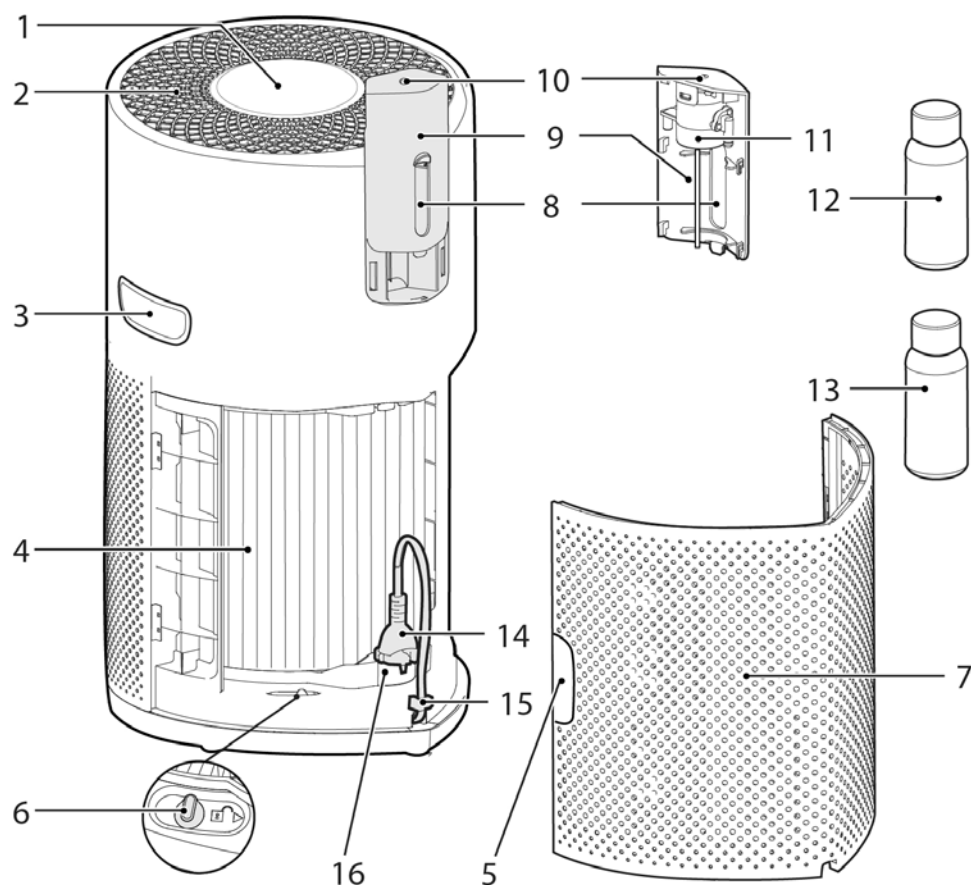
### Parâmetros sem fios para o emparelhamento

Tecnologia	Wi-Fi	Bluetooth
Standard	IEEE 802.11 b/g/n	Bluetooth v4.2,BLE
Banda(s) de frequência (MHz)	2401~2483	2402~2480
Potência máxima (mW)	100	10
Potência de RF máxima transmitida na banda de frequência	18.9 dBm	

Desta forma, a Candy Hoover Group Srl declara que o equipamento de rádio está em conformidade com a Diretiva 2014/53/UE. O texto completo da declaração de conformidade da UE está disponível no seguinte endereço de Internet: [www.candy-group.com](http://www.candy-group.com)

CANDY HOOVER GROUP S.r.l. Via Privata Eden Fumagalli, 20861 Brugherio (MB) Italy

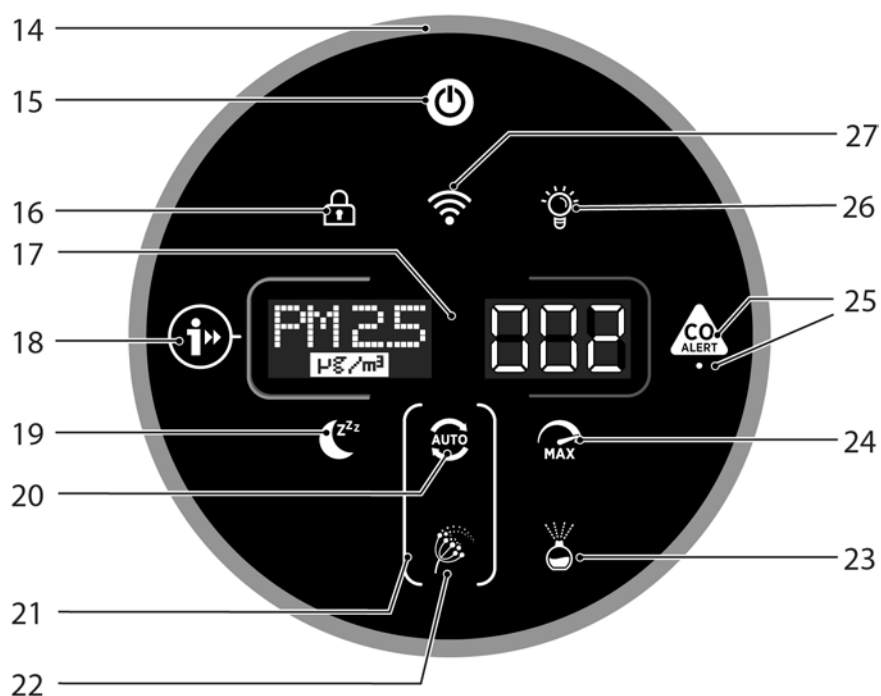
## 1. CONHECER O SEU H-PURIFIER



1	Painel de controlo / Ecrã
2	Saída de ar
3	Pega de transporte do produto
4	Conjunto do filtro
5	Pega da tampa de entrada de ar
6	Interruptor de desengate do filtro

7	Tampa de entrada de ar
8	Janela do difusor
9	Tampa do difusor
10	Saída do difusor
11	Unidade do difusor

12	Frasco H-Essence
13	Frasco H-Biotics
14	Cabo de alimentação e ficha
15	Gancho de arrumação
16	Local de transporte



14	LED ring de qualidade do ar
15	Botão de ligar/desligar
16	Botão de bloqueio para crianças
17	Visor digital
18	Botão de informações
19	Botão do modo de repouso
20	Botão do modo automático
21	Luz circular de alergia ao pólen
22	Luz de alergia ao pólen
23	Botão do difusor
24	Botão do modo máx
25	Botão CO Alert e LED
26	Botão de controlo da luz
27	Botão de Wi-Fi

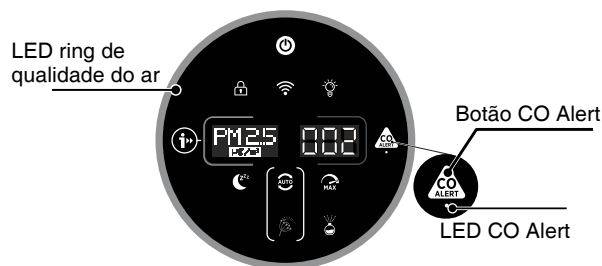
## 1.1 SISTEMA MULTI SENSOR

Graças ao Sistema Multi Sensor, o seu produto irá monitorizar continuamente o estado do ar interior em termos de PM10, PM2,5 e compostos orgânicos voláteis (GÁS).

Sempre que liga o seu produto, o Sistema Multi Sensor começará por analisar o ar interior e o LED Ring de qualidade do ar irá acender-se com diferentes cores representando o estado de qualidade do ar em tempo real.

Cor do LED Ring de qualidade do ar	Qualidade do ar interior	Valor PM 10+ $\mu\text{g}/\text{m}^3$	Valor PM 2,5 $\mu\text{g}/\text{m}^3$	Nível VOC GÁS
VERDE	Excelente	0-50	0-25	L1
AMARELO	Satisfatório	50-80	25-50	L2
LARANJA	Fraco	80-160	50-100	L3
VERMELHO	Muito fraco	$\geq 160$	$\geq 100$	L4

\* No modo Alergia ao pólen, os valores PM 10 que acionam o nível de qualidade do ar serão inferiores para minimizar o risco para pessoas alérgicas.



## 1.2 ALERTA DE MONÓXIDO DE CARBONO (CO)

O H-Purifier está equipado com um sistema de alertar que irá monitorizar constantemente o ar interior para verificar a presença de monóxido de carbono (CO).

Quando o alarme de monóxido de carbono é ativado, os botões LED Ring de qualidade do ar, Informações e CO Alert piscarão a vermelho em simultâneo e soará um alarme sonoro. O alarme continuará em operação até a concentração de monóxido de carbono (CO) ser reduzida para menos de 50 ppm, a não ser que seja silenciado manualmente ao premir o botão CO Alert durante 3 segundos.

O LED de CO Alert mostra a condição de funcionamento do sensor de CO. É apresentado a verde quando o sensor de CO está no estado normal, a amarelo quando o sensor está avariado ou excede a sua vida útil e a vermelho quando o CO Alert é ativado.

Podem testar se o alarme está a funcionar corretamente ao premir o Botão CO Alert durante 3 segundos. Será emitido um sinal sonoro alto durante 5 segundos se o alarme funcionar corretamente.

## 2. PREPARAR O SEU H-PURIFIER

### 2.1 INSTALAR O FILTRO [Fig. 1]

Antes de utilizar o seu produto H-Purifier, terá de remover o filtro da sua embalagem de proteção:

- Remova a tampa de entrada de ar do seu produto, agarre nas duas pegadas da tampa de entrada de ar e puxe-as do produto. [Fig. 1a]
- Remova a ficha do local de transporte e solte o cabo do gancho de armazenamento. [Fig. 1b]
- Desbloqueie o interruptor de desengate do filtro. [Fig. 1c]
- Remova o filtro do seu produto e remova a embalagem exterior. [Fig. 1d,e]
- Volte a colocar o filtro no seu produto. [Fig. 1f]
- Bloqueie o interruptor de desengate do filtro. [Fig. 1g]
- Volte a colocar a tampa de entrada de ar no seu produto. [Fig. 1h]

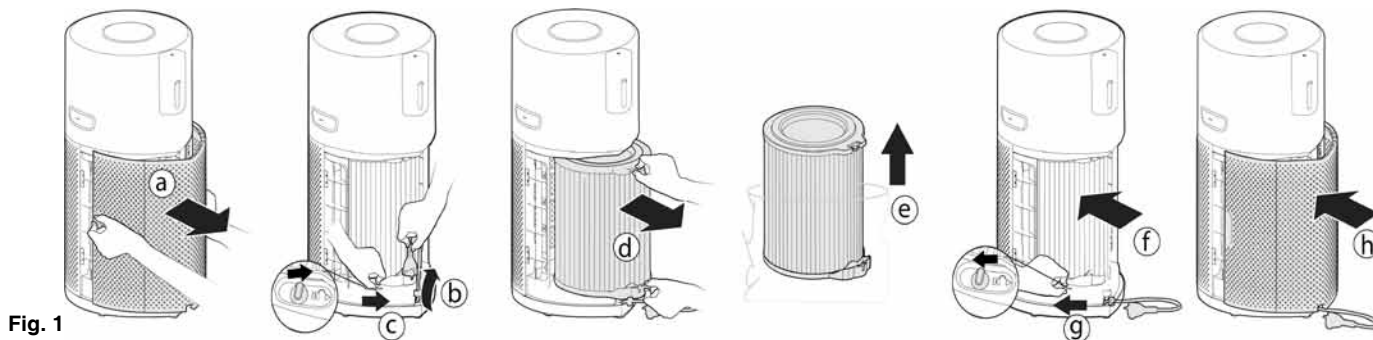


Fig. 1

### 2.2 INSTALAR O FRASCO DIFUSOR [Fig. 2]

Para preparar o seu produto H-Purifier para a função de difusor:

- Remova a tampa do difusor do produto. [Fig. 2a]
- Remova a unidade do difusor da tampa do difusor. [Fig. 2b]
- Remova o frasco de H-Essence ou H-Biotics da embalagem e remova a tampa. [Fig. 2c]
- Guarde a tampa para futura utilização no armazenamento.
- Aperte bem o frasco na unidade do difusor. [Fig. 2d]
- Volte a colocar a unidade do difusor na tampa do difusor. [Fig. 2e]
- Volte a colocar a tampa do difusor no produto. [Fig. 2f]

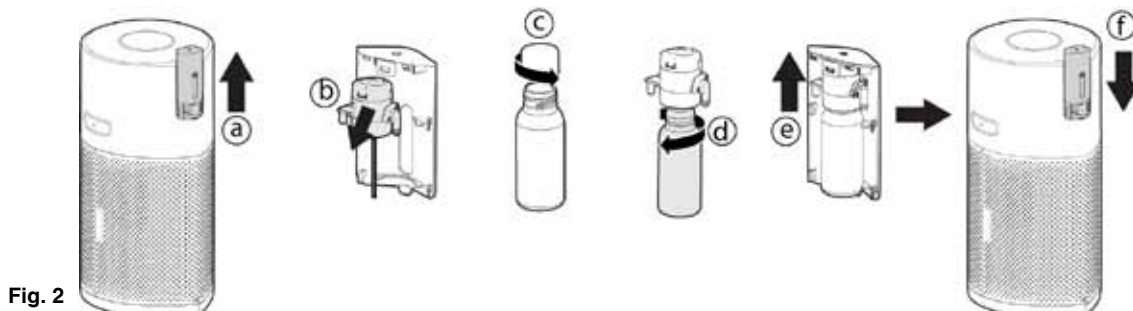


Fig. 2

### 3. UTILIZAR O SEU H-PURIFIER

#### 3.1 LIGAR O PRODUTO [Fig. 4]:

Puxe o cabo de alimentação da bobina do cabo e ligue à fonte de alimentação.

Todas as luzes no Painel de controlo / Visor acendem-se completamente durante cerca de 1 segundo para indicar uma ligação bem-sucedida.

O botão POWER (alimentação) acende-se com uma luz fraca e o LED CO Alert acende-se para indicar que o sensor dedicado começou a monitorizar o nível de monóxido de carbono no interior.

Para ligar o seu produto, prima o botão POWER (alimentação) no visor.

O LED Ring de qualidade do ar acende-se com todas as cores por sequência enquanto os sensores estiverem a analisar o estado do ar em tempo real. Após alguns segundos, o LED Ring de qualidade do ar seleciona a cor apropriada para a qualidade do ar nesse momento.

O seu produto H-Purifier entra imediatamente no MODO AUTOMÁTICO e começa a purificar o ar interior. O botão MODO AUTOMÁTICO, botão INFORMAÇÕES, botão CONTROLO DA LUZ e as informações PM10 no visor acendem-se.



Fig. 4

#### 3.2 LIGAR O SEU H-PURIFIER:

Para aceder a todas as funções de H-Purifiers a partir de qualquer lado, sugerimos que transfira a aplicação hOn.

Conseguirá controlar o seu produto da forma mais eficiente.

##### Instruções:

1. Transfira a aplicação hOn na App Store, Google Play ou Huawei AppGallery. Também pode transferi-la ao ler o código QR na [Fig. 5]
2. Abra a aplicação e crie uma conta com o seu e-mail e uma palavra-passe.
3. Confirme e inicie sessão na aplicação hOn.
4. Certifique-se de que o seu dispositivo móvel está ligado ao Wi-Fi.
5. Certifique-se de que o seu H-Purifier está ligado. Prima e mantenha premido o botão Wi-Fi no visor durante 5 segundos. Ouvirá um sinal sonoro e o botão Wi-Fi começa a piscar para indicar que está a aguardar uma ligação. [Fig. 6]
6. Siga as instruções na aplicação para ligar o seu dispositivo móvel ao seu produto.
7. Quando estiver emparelhado com sucesso, o botão Wi-Fi no produto permanece aceso.
8. Para repor o Wi-Fi, prima e mantenha premido o botão Wi-Fi durante 5 segundos.

O H-Purifier também funciona com o Hey Google e Amazon Alexa.

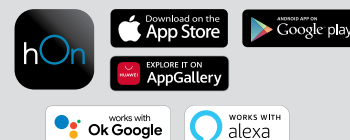


Fig. 5

#### 3.3 DESCOBRIR TODAS AS FUNÇÕES

##### Função INFORMAÇÕES [Fig. 7]:

Existem 6 conjuntos de dados diferentes disponíveis para monitorizar:

PM10, PM2.5, GÁS, Temperatura, Humidade e Estado do filtro.

Para monitorizar cada valor, basta premir consecutivamente o botão INFORMAÇÕES.

Por predefinição, o visor irá mostrar os dados PM10. A máquina irá lembrar-se da última seleção do utilizador e irá manter esta seleção da próxima vez que o produto for ligado.

Os dados de GÁS irão apresentar um cursor rotativo durante os primeiros 3 minutos após a ligação do dispositivo enquanto o sensor de GÁS estiver a executar um ciclo de calibração.

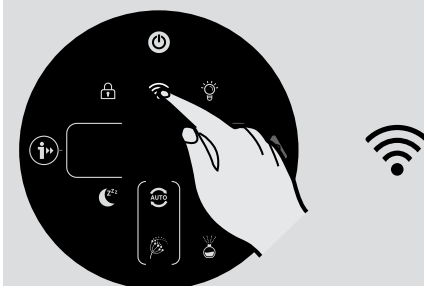


Fig. 6

##### Mais informações sobre PM 2,5, PM 10 e GÁS:

PM indica partículas finas (não visível para o olho humano) provenientes principalmente da poluição exterior, tais como veículos e emissões industriais e potencialmente perigosas para a nossa saúde em caso de exposição prolongada. PM 10 apresenta um tamanho até 10 µm e são capazes de penetrar o trato respiratório superior (nariz, traqueia, faringe).

PM 2,5 tem um tamanho até 2,5 µm e, tendo em consideração a sua dimensão pequena, podem chegar aos nossos pulmões, penetrando assim mais profundamente no nosso corpo.

GAS VOC (compostos orgânicos voláteis) são compostos químicos voláteis com a capacidade de se evaporarem facilmente no ar à temperatura ambiente. Desodorizantes, detergentes, colas, adesivos, cosméticos, formaldeído são apenas alguns dos VOC que podem estar presentes nas nossas casas, mas que podem ser nocivos para a nossa saúde em caso de exposição prolongada.

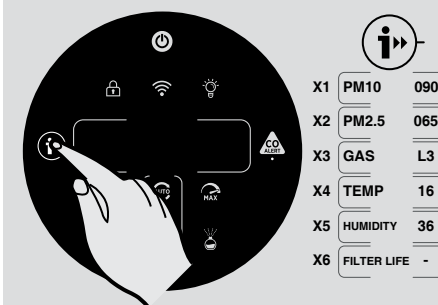


Fig. 7

##### Funções MODO:

Existem 3 modos de purificação do ar disponíveis: MODO AUTO, MODO MÁX e MODO REPOUSO.

O modo Auto é a predefinição para os eu produto quando é ligado. Todos os modos podem ser selecionados manualmente ao premir o respetivo botão no visor.

O modo ALERGIA AO PÓLEN também pode ser ativado através da aplicação hOn.

##### MODO AUTO [Fig. 8]:

Este é o modo predefinido do seu produto H-Purifier quando o liga pela primeira vez. No Modo automático, o H-Purifier purifica automaticamente a velocidade da sua ventoinha para o nível de qualidade interno real para garantir sempre uma ótima purificação do ar.

Esta é a definição recomendada para colocar o seu produto.

No modo AUTO, após 30 minutos de uma excelente qualidade do ar, o seu produto entra num modo ECO (função de stand-by) ao interromper a função de purificação (ventoinha). O Sistema Multi Sensor continuará a analisar o ar interior e liga automaticamente a função de purificação quando necessário.



Fig. 8



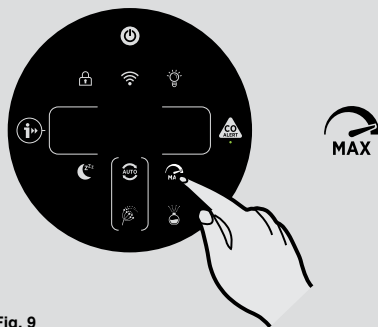


Fig. 9

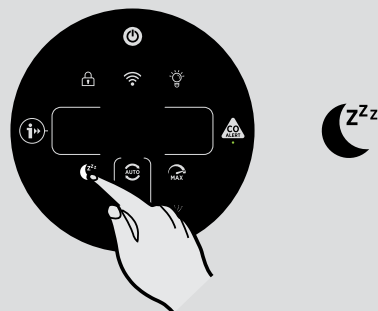


Fig. 10

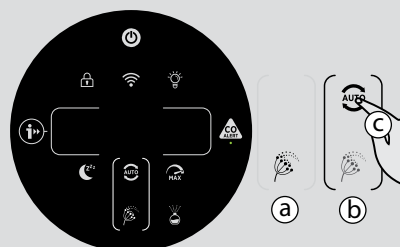


Fig. 11

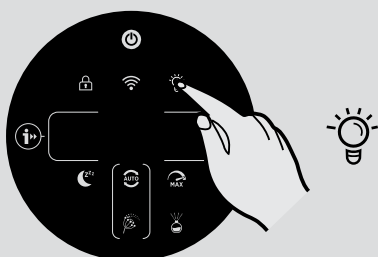


Fig. 12

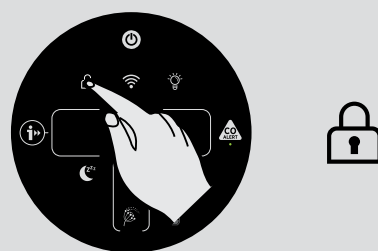


Fig. 13

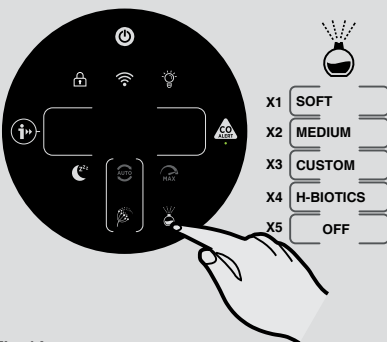


Fig. 14

**MODO MÁX [Fig. 9]:**

Prima o botão de modo MÁX no visor para ativar a purificação do ar à definição de potência máxima. Para sair do modo MÁX, basta selecionar o modo AUTO ou o modo REPOUSO.

**MODO REPOUSO [Fig. 10]:**

Prima o botão do modo REPOUSO para ativar a purificação do ar à definição de potência silenciosa mais baixa. O botão do modo REPOUSO permanecerá aceso com uma luz fraca e todas as outras luzes do visor estarão apagadas. Isto poderá ser modificado ao premir o botão CONTROLO DA LUZ.

**MODO ALERGIA AO PÓLEN: [Fig. 11]**

O modo Alergia ao pólen pode ser ativado apenas através da aplicação hOn. Em primeiro lugar, terá de ativar e registar um perfil na aplicação, de forma a criar o seu Perfil de alergia ao pólen.

O modo Alergia ao pólen funciona apenas quando o MODO AUTO está selecionado. [Fig. 11c]

No modo Alergia ao pólen, o aparelho recebe continuamente os dados em tempo real da aplicação sobre a concentração de pólen monitorizada no exterior, e funciona automaticamente para maximizar o desempenho de captura de pólen.

Quando os pólenes são capturados, são inativados para ajudar os sintomas alérgicos.

Quando o modo Alergia ao pólen é ativado na aplicação, existem 2 luzes de notificação possíveis no visor do produto:

- A luz de alergia ao pólen está **BRANCA** [Fig. 11a]: O aparelho e a aplicação estão a monitorizar a presença de pólenes no exterior e não existe qualquer risco.

- A luz de alergia ao pólen muda para **AMARELO** e a Luz circular de alergia ao pólen está **BRANCA** [Fig. 11b]: O aparelho e a aplicação detetaram um risco.

Se o produto for colocado manualmente no modo REPOUSO ou modo MÁX enquanto o modo Alergia ao pólen está ativado, o modo Alergia ao pólen é interrompido.

**Função CONTROLO DA LUZ: [Fig. 12]**

Existem 3 definições disponíveis para a iluminação do visor: Acesa, Obscurecida e Apagada

Para ajustar a luminosidade da iluminação do visor, basta premir o botão CONTROLO DA LUZ no visor para passar pelas 3 opções disponíveis. ACESA é a predefinição.

Se selecionada APAGADA, qualquer outro botão tem de ser premido duas vezes para ativar. Depois de premir uma vez, as luzes ficam OBSCURECIDAS e quando premir de novo, a ação será ativada.

**Função BLOQUEIO CRIANÇAS: [Fig. 13]**

Prima e mantenha premido o botão BLOQUEIO CRIANÇAS durante 3 segundos para ativar. Ouvirá um sinal sonoro quando for ativado e o botão BLOQUEIO CRIANÇAS permanecerá aceso. Nenhum outro botão funcionará quando estiver ativado.

Para sair, basta premir e manter premido o botão BLOQUEIO CRIANÇAS durante 3 segundos. Ouvirá um sinal sonoro para confirmar que está desativado e o botão deixará de estar aceso.

**Função de DIFUSOR: [Fig. 14]**

O difusor espalha para o ar do compartimento H-Essence ou H-Biotics. H-Essence é a coleção da Hoover de óleos essenciais para libertar para o ar fragrâncias agradáveis.

H-Biotics é uma mistura natural à base de probióticos que mantém o compartimento bio-higienizado ao inibir o crescimento de microrganismos, tais como bactérias ou micróbios.

Existem 4 definições diferentes para a função de DIFUSOR: SUAVE, MÉDIA, PERSONALIZADA E H-BIOTICS. Para ativar esta função, basta premir o botão do difusor no visor. A predefinição para esta função é SUAVE. Para selecionar qualquer outra definição, basta premir consecutivamente o botão para mudar para a seleção desejada. O botão acende-se a branco quando está ligado.

É recomendável utilizar as definições SUAVE e MÉDIA para o H-Essence.

A definição PERSONALIZADA só pode ser criada na aplicação hOn.

Quando utilizar o H-Biotics, a definição TEM de ser definida para H-Biotics. Quando o utilizador ativa o H-Biotics utilizando a aplicação, isto irá dar um alerta para "ATIVAR O H-BIOTICS" após 120 horas de forma a garantir a utilização do H-Biotics a cada 5 dias.

Quando utilizar o H-Essence em certas definições ou ambiente, o nível VOC GÁS poderá mudar devido à deteção de fragrâncias. A Função de difusor funciona apenas quando o LED ring de qualidade do ar está verde, irá pausar quando o LED ring não estiver verde e continuará a funcionar quando voltar a estar verde.

A função de difusor só pode ser utilizada nos modos AUTO e MÁX e não pode ser utilizado no modo REPOUSO.

Quando ativar a função de difusor no modo AUTO, a ventoinha principal funcionará com uma velocidade específica para ajudar a propagar a H-Essence ou H-Biotics para o compartimento.

Definição	Temporização de difusão	Duração máx. do ciclo
SUAVE	durante 10 segundos a cada 5 minutos	6 horas
MÉDIA	durante 90 segundos a cada 3,5 minutos	6 horas
PERSONALIZADA	Definido pelo utilizador	6 horas
H-BIOTICS	durante 2 minutos a cada 4 minutos	6 horas

## 4. MANUTENÇÃO DO SEU H-PURIFIER

### 4.1 MANUTENÇÃO DO FILTRO

O seu H-Purifier irá monitorizar o estado do seu filtro. Será apresentado um alerta para **LIMPAR FILTRO OU SUBSTITUIR FILTRO** no lado esquerdo do visor e uma luz a piscar, o que indica a necessidade de executar uma ação para limpar ou substituir o filtro.

#### Limpar/substituir o filtro: [Fig. 15]

- Retire a tampa de entrada de ar do seu produto. [Fig. 15a]
- Desbloqueie o interruptor de desengate do filtro. [Fig. 15b]
- Retire o filtro do seu produto. [Fig. 15c]
- Utilize um aspirador para limpar a camada externa do filtro ou substitua por um NOVO filtro. [Fig. 15d]
- Volte a colocar o filtro no seu produto. [Fig. 15e]
- Bloqueie o interruptor de desengate do filtro. [Fig. 15f]
- Volte a colocar a tampa de entrada de ar no seu produto. [Fig. 15g]
- Ligue o seu aparelho à fonte de alimentação e ligue-o.
- Prima o botão INFORMAÇÕES para repor o alerta de Limpeza/Substituição ao manter premido o botão durante 3 segundos. Será ouvido um alerta sonoro para indicar uma reposição bem-sucedida. [Fig. 7]

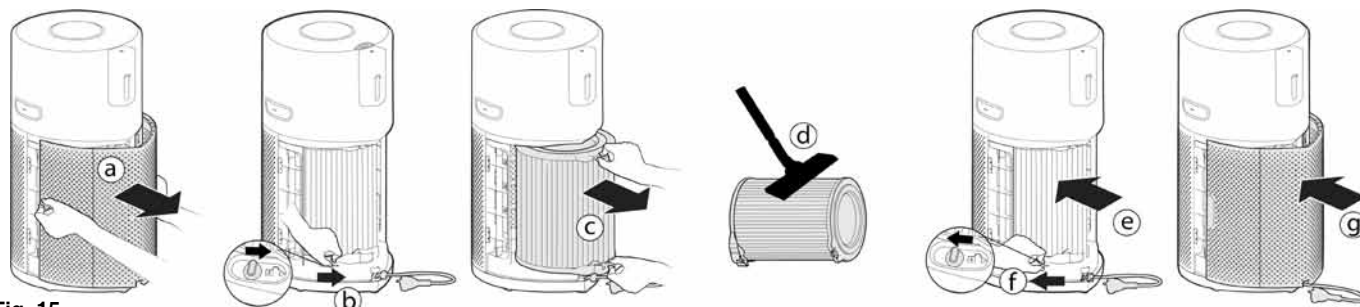


Fig. 15

### 4.2 MANUTENÇÃO DO DIFUSOR

Após cada utilização da função de difusor, utilize um pano macio seco para limpar qualquer resíduo das superfícies do produto.

#### Substituição do frasco do difusor: [Fig. 16]

O volume de líquido restante no frasco pode ser verificado através da janela do difusor. Quando necessário, o frasco deve ser substituído.

- Remova a tampa do difusor do produto. [Fig. 16a]
- Remova a unidade do difusor e o frasco da tampa do difusor. [Fig. 16b]
- Desaperte e remova o frasco vazio. [Fig. 16c]
- Remova o novo frasco de H-Essence ou H-Biotics da embalagem e remova a tampa. [Fig. 16d]
- Aperte bem o novo frasco na unidade do difusor. [Fig. 16e]
- Volte a colocar a unidade do difusor na tampa do difusor. [Fig. 16f]
- Volte a colocar a tampa do difusor no H-Purifier. [Fig. 16g]

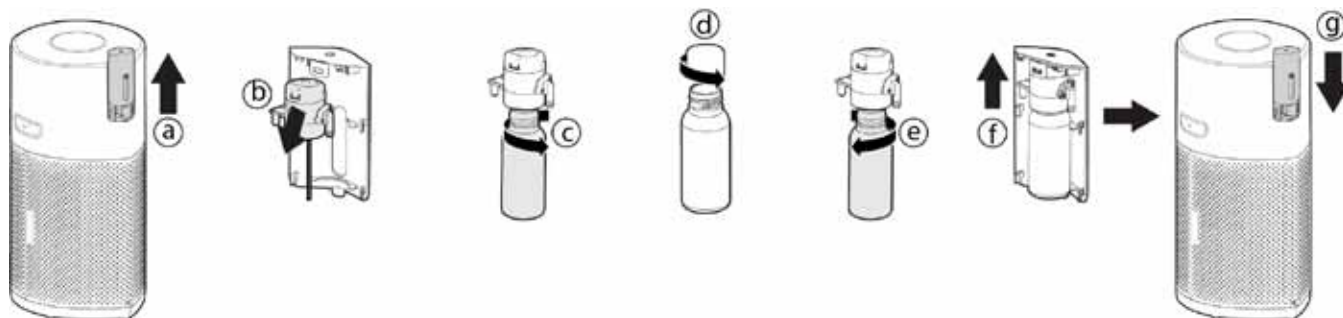


Fig. 16

## 5. ARMAZENAMENTO DO SEU H-PURIFIER

1. Desligue o H-Purifier e retire a ficha da tomada.
2. Limpe todas as superfícies internas e externas do H-Purifier e a camada externa do filtro.
3. Remova o frasco do difusor. Volte a colocar a tampa original no frasco e armazene-a para proteger contra a luz direta. Limpe todas as superfícies da unidade do difusor e a tampa do difusor. Certifique-se de que não está presente qualquer resíduo de H-Essence H-Biotics em qualquer superfície do H-Purifier.
4. Certifique-se de que todos os componentes estão secos.
5. Remova a tampa de entrada de ar [Fig. 17a], enrole o cabo de alimentação ao puxar o cabo [Fig. 17b], encaixe o cabo no gancho de armazenamento e encaixe a ficha na localização de transporte. [Fig. 17c,d] Volte a colocar a tampa de entrada de ar. [Fig. 17e]
6. Armazene o H-Purifier num local seco e fresco.

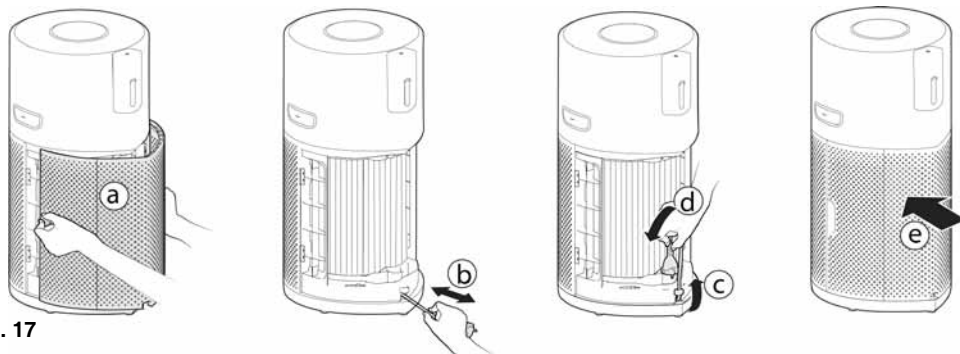


Fig. 17

## 6. ALERTAS E SOLUÇÕES

Os seguintes códigos poderão aparecer durante a utilização. [Fig. 18]



Fig. 18

Alerta		Descrição do alerta	Solução
Alerta no produto	Alerta na aplicação		
"LIMPAR FILTRO"	Alerta de limpeza do pré-filtro	Sugere a limpeza da camada externa do filtro.	1. Limpe a camada externa do filtro. 2. Reponha o alerta ao manter premido o botão <b>INFORMAÇÕES</b> durante 3 segundos. <b>Consulte o ponto 4.1 MANUTENÇÃO DO FILTRO</b>
"SUBSTITUIR FILTRO"	Alerta de substituição do filtro	Sugere a substituição do filtro.	1. Substitua o filtro. 2. Reponha o alerta ao manter premido o botão <b>INFORMAÇÕES</b> durante 3 segundos. <b>Consulte o ponto 4.1 MANUTENÇÃO DO FILTRO</b>
"FILTRO AUSENTE"	Erro: ocorreu um erro com o purificador de ar; verifique as possíveis soluções	O filtro não está na posição ou não está bloqueado corretamente	1. Se o filtro não estiver presente, volte a colocá-lo. 2. Se o filtro estiver na posição, verifique se o interruptor de desengate do filtro está no estado <b>BLOQUEADO</b> . <b>Consulte o ponto 2.1 INSTALAR O FILTRO</b>
"ERRO NO SENSOR DE PM"	/	Avaria do sensor de PM	Falha do sensor de PM ou o fio do sensor não foi ligado corretamente. Contacte o centro de assistência para resolver.
O LED CO Alert está amarelo	Erro: ocorreu um erro com o purificador de ar; verifique as possíveis soluções	Avaria do sensor de CO ou o sensor de CO excedeu a sua vida útil.	Contacte o centro de assistência para resolver.
/	Erro: ocorreu um erro com o purificador de ar; verifique as possíveis soluções	Falha do motor	Falha do motor ou o fio do motor não foi ligado corretamente. Contacte o centro de assistência para resolver.
"ERRO DO SENSOR DE TEMP. E HUM."	/	Avaria do sensor de temperatura e humidade	Falha do sensor de temperatura e humidade ou o fio do sensor não foi ligado corretamente. Contacte o centro de assistência para resolver.
"PAUSA"	/	O difusor em funcionamento irá pausar quando o LED ring de qualidade do ar não estiver verde.	Não é necessária qualquer ação. O difusor em funcionamento irá retomar quando o LED ring de qualidade do ar estiver verde.

**ATENÇÃO:** Se qualquer destas falhas persistir, contacte o seu representante Hoover local. **NÃO** tente desmontar o H-Purifier de forma autónoma.

## 7. RESOLUÇÃO DE PROBLEMAS

A seguir é apresentada uma lista com os problemas mais comuns e soluções.  
Se qualquer destes problemas persistir, contacte o seu representante Hoover local.

A ventoinha não funciona (Painel de controlo / Luzes do visor acesas)	<ul style="list-style-type: none"> <li>• Verifique o alerta apresentado no visor ou na aplicação. Se estiver presente, consulte o ponto <b>6. ALERTAS E SOLUÇÕES</b>.</li> <li>• Verifique se existe alguma obstrução na ventoinha. Se estiver presente, em primeiro lugar desligue o produto e elimine ou contacte o centro de assistência para efetuar a eliminação.</li> <li>• Verifique se o H-Purifier está ligado.</li> <li>• Verifique se o filtro está instalado corretamente e no estado bloqueado.</li> <li>• Verifique se o H-Purifier está numa posição completamente vertical e que não está inclinado.</li> <li>• O H-Purifier poderá estar no modo ECO. Pode premir o botão do modo de repouso ou o botão do modo máx para sair do modo ECO. Consulte o ponto <b>3. UTILIZAR O SEU H-PURIFIER – MODO AUTO</b>.</li> </ul>
A ventoinha não funciona (Painel de controlo / Luzes do visor apagadas)	<ul style="list-style-type: none"> <li>• Verifique se o H-Purifier está ligado e com a ficha ligada à tomada.</li> <li>• Verifique o alerta apresentado na aplicação. Se estiver presente, consulte o ponto <b>6. ALERTAS E SOLUÇÕES</b>.</li> </ul>
Nenhuma luz no painel de controlo / Ecrã (Ventoinha em funcionamento)	<ul style="list-style-type: none"> <li>• No Modo Repouso, a predefinição das luzes é desligada. Pode premir o botão de controlo da luz para ligar as luzes.</li> <li>• As luzes podem ser desligadas. Prima o botão de controlo da luz para ligar as luzes. Consulte o ponto <b>3. UTILIZAR O SEU H-PURIFIER – MODO REPOUSO / Função CONTROLO DA LUZ</b>.</li> </ul>
Os botões no painel de controlo não funcionam	<ul style="list-style-type: none"> <li>• O bloqueio para crianças pode estar ativado. Pode premir e manter premido o botão BLOQUEIO CRIANÇAS durante 3 segundos para sair. Consulte o ponto <b>3. UTILIZAR O SEU H-PURIFIER – Função BLOQUEIO CRIANÇAS</b>.</li> </ul>
O fluxo de ar é fraco	<ul style="list-style-type: none"> <li>• Verifique se a embalagem de proteção foi removida do filtro.</li> <li>• Verifique se existe alguma obstrução na tampa de entrada de ar ou na saída de ar.</li> <li>• Retire a tampa de entrada de ar e verifique o estado do filtro. Limpe a camada externa ou substitua o filtro, se necessário. Pode verificar o estado da vida útil do filtro no visor ao premir o botão de informações.</li> <li>• Verifique se o H-Purifier está no modo de repouso. A ventoinha funciona a uma potência reduzida neste modo.</li> </ul>
O H-Purifier está a funcionar ruidosamente	<ul style="list-style-type: none"> <li>• Verifique se existe alguma obstrução no H-Purifier.</li> <li>• Verifique se o H-Purifier está a funcionar no modo Máx. A ventoinha funciona a uma potência máxima neste modo.</li> </ul>
O H-Purifier começa repentinamente a funcionar ruidosamente	<ul style="list-style-type: none"> <li>• Verifique se o H-Purifier está a funcionar no Modo automático e se o LED ring de qualidade do ar não está verde. No Modo automático, o H-Purifier ajusta automaticamente a velocidade da sua ventoinha para o nível de qualidade interno real. Consulte o ponto <b>3. UTILIZAR O SEU H-PURIFIER – MODO AUTO</b>.</li> </ul>
O H-Purifier emite um sinal sonoro alto de repente	<ul style="list-style-type: none"> <li>• A função de teste do botão CO Alert é ativada devido a funcionamento indevido. O som desativa-se automaticamente após 5 segundos. Consulte o ponto <b>1.2 ALERTA DE MONÓXIDO DE CARBONO (CO)</b></li> </ul>

## INFORMAÇÕES IMPORTANTES

### PEÇAS SOBRESSALENTES E CONSUMÍVEIS HOOVER

Substitua sempre as peças por peças sobressalentes Hoover genuínas. Pode obtê-las junto do seu representante local ou diretamente da Hoover. Quando encomendar peças, mencione sempre o número do seu modelo.

### QUALIDADE

A qualidade das instalações industriais da Hoover foi avaliada de forma independente.. Os nossos produtos são fabricados de acordo com um sistema de qualidade que satisfaz os requisitos da norma ISO 9001.

### A SUA GARANTIA

As condições de garantia para este aparelho são as definidas pelo nosso representante no país onde foi vendido. Pode obter detalhes sobre estas condições junto do agente a quem adquiriu o aparelho. A fatura de venda ou o recibo deverão ser entregues quando apresentar uma reclamação ao abrigo dos termos da garantia.

Sujeito a alteração sem aviso prévio.

## ADVERTENCIAS DE SEGURIDAD GENERAL

Este aparato es solo para uso doméstico, tal como se describe en esta guía de usuario. Asegúrese de comprender por completo esta guía antes de poner en funcionamiento el aparato y consérvela como referencia en el futuro.

Verifique que el voltaje y la potencia indicada en la etiqueta del aparato corresponda al voltaje de la energía local antes de conectar el aparato.

Si el cable de alimentación está dañado, deje de utilizar el aparato inmediatamente. Para evitar riesgos de seguridad, sólo un especialista de un servicio técnico oficial de Hoover puede reemplazar el cable de alimentación.

No tire del cable de alimentación para retirar el enchufe.

Extienda el cable de suministro para que nadie lo pise o se tropiece con él.

Siempre apague y desenchufe el aparato de la toma de corriente antes de mover o limpiar el aparato o de efectuar cualquier operación de mantenimiento.

Este aparato puede ser usado bajo supervisión por niños de 8 años en adelante o por personas con capacidades físicas, sensoriales o mentales reducidas o falta de experiencia siempre con una explicación previa de las instrucciones con respecto al uso del aparato de manera segura y que comprendan los riesgos implicados. Los niños no deben jugar con el aparato.

Los niños no deben limpiar ni dar mantenimiento sin supervisión.

El aparato no elimina el monóxido de carbono (CO) o el radón (Rn). No puede utilizarse como dispositivo de seguridad en caso de accidentes por combustión y productos químicos peligrosos.

No siga utilizando el aparato si parece tener algún defecto.

No obstruya la entrada o salida de aire.

No introduzca sus dedos u objetos en la entrada o salida de aire para evitar lesiones físicas o el mal funcionamiento del aparato.

No limpie el aparato con agua, cualquier otro líquido o un detergente (inflamable) y no permita que se introduzcan en el aparato para evitar una descarga eléctrica y/o un riesgo de incendio.

No rocíe ningún material inflamable, como insecticidas o fragancias cerca del aparato.

Este aparato no es un sustituto para una ventilación adecuada, una limpieza regular con aspiradora o el uso de una campana extractora o un ventilador mientras se cocina.

Utilice únicamente los consumibles, los filtros o los recambios recomendados o los suministrados por HOOVER.

Asegúrese de que el filtro esté correctamente instalado antes de encender el aparato.

Evite golpear el aparato (la entrada y la salida de aire en particular) con objetos duros.

Mantenga seco el producto.

Nunca incline o vacíe el producto durante su funcionamiento.

Cuando el aparato no se ha utilizado durante mucho tiempo, pueden crecer bacterias en el interior de los filtros. Verifique los filtros después de un periodo prolongado de desuso. Si los filtros están muy sucios, reemplácelos.

Para garantizar el funcionamiento seguro y eficaz del aparato, le recomendamos que las tareas de mantenimiento y reparación se lleven a cabo por profesionales autorizados del servicio técnico de HOOVER.

## USO DEL AMBIENTE

Coloque y solo utilice el producto en una superficie horizontal seca, estable y nivelada para evitar volcaduras.

Deje al menos 20 cm de espacio libre detrás y a ambos lados del aparato y deje al menos 30 cm de espacio libre por encima del aparato.

Para evitar interferencias, coloque el aparato al menos a 2 m de distancia de los aparatos eléctricos que utilizan ondas de radio aerotransportadas, como televisores, radios y relojes a control remoto.

No coloque nada encima del aparato.

No utilice este aparato cuando haya utilizado repelentes de insectos de tipo humo en interiores

o en lugares con residuos aceitosos, humos químicos o esté quemando incienso.

No coloque el aparato en ninguna de las siguientes ubicaciones:

- En superficies calientes, cerca de superficies calientes, sobre fuego directo o en la luz directa del sol, cerca de aparatos de gas, calefactores o chimeneas;
- Junto a o directamente encima de rejillas de aire acondicionado o calefactores, puertas, ventanas, extractores, placas de cocina o cualquier lugar donde pudiera verse afectado por corrientes de aire;
- En un baño u otras áreas donde el producto puede ser expuesto a salpicaduras de agua, goteo o condensación (p. ej., directamente debajo de un aire acondicionado o encima de un hervidor eléctrico);
- En un espacio cerrado (p. ej. dentro o debajo de un armario);
- En un área donde la temperatura podría disminuir por debajo de  $-20\text{ °C}$  o superar los  $50\text{ °C}$ ;
- En una habitación con cambios importantes de temperatura, en ambientes húmedos o en lugares con altas temperaturas ambiente o con alto contenido de humedad, como un solarium, baño o cocina;
- Donde quedaría obstruido, p. ej. por cortinas o muebles;
- Donde la tierra o el polvo puedan obstruir el sensor.

### INSTRUCCIONES DE SEGURIDAD DEL CO MONITOR

Si se activa la alarma de CO, debe abrir todas las ventanas y las puertas (si es seguro hacerlo). Si es posible, apague todos los aparatos que queman combustible y luego evacue la propiedad dejando abiertas las ventanas y las puertas. Busque ayuda médica inmediata para cualquier persona que sufra los efectos de la intoxicación por monóxido de carbono. No vuelva a ingresar a la propiedad hasta que la alarma se detenga. La alarma se detendrá una vez que el CO se haya despejado. No utilice los aparatos que queman combustible hasta que la fuente de CO haya sido ubicada y rectificadas por un técnico calificado.

Evite el uso de pintura, diluyentes, vapores de disolventes, ambientadores, aerosoles o limpiadores químicos cerca del aparato. Esto puede afectar al funcionamiento del CO Monitor.

Para activar el CO Monitor, conecte el enchufe a una toma de corriente. El LED CO Alert parpadeará de color verde. Cuando el CO Monitor detecta un nivel peligroso de CO, la alarma de CO se activará con un zumbido fuerte y el botón CO Alert y el anillo LED de la calidad del aire parpadearán de color rojo. La alarma continuará activada hasta que el nivel de CO detectado disminuya a un nivel seguro.

Pulse el botón [de CO Alert] durante 3 segundos para probar la función de CO Alarm y la alarma sonará fuertemente durante 5 segundos. Pruebe la alarma mensualmente y después de una ausencia prolongada del edificio (p. ej. las vacaciones). Si la alarma no suena después de tocar el botón [de CO Alert] durante 3 segundos, póngase en contacto con el centro de atención al cliente de Hoover para que un técnico capacitado repare el fallo.

Si la pantalla indica que CO Sensor está defectuoso o ha llegado al final de su vida útil, comuníquese con el centro de atención al cliente de Hoover para que un técnico capacitado reemplace el sensor de CO. La vida útil esperada del sensor de CO es de 7 años y debe ser reemplazado después de este plazo.

No permita que los niños pequeños presionen el botón de CO Alert durante 3 segundos, ya que podrían estar sujetos a un ruido excesivo al sonar la alarma.

Humedad de funcionamiento: 15 – 90% RH

Temperatura de funcionamiento: De  $0\text{ °C}$  a más de  $40\text{ °C}$

El monóxido de carbono afecta al cuerpo matando de hambre (asfixiando) a los órganos críticos de oxígeno. Al inhalar CO, éste se adhiere a la hemoglobina de la sangre que normalmente transporta el oxígeno por todo el cuerpo. El CO desplaza permanentemente la capacidad de las moléculas de oxígeno de adherirse a la hemoglobina, reduciendo así el oxígeno en los órganos vitales. El nivel de concentración y el tiempo de exposición al CO pueden hacer variar sus efectos en el cuerpo, pero los expertos están de acuerdo en que incluso niveles bajos de exposición al monóxido de carbono durante períodos prolongados pueden tener efectos graves y duraderos en la salud general de cualquier persona.

**ADVERTENCIA:** LA ALARMA DE CO ESTÁ DISEÑADA PARA PROTEGER A LAS PERSONAS DE LOS EFECTOS AGUDOS DE LA EXPOSICIÓN AL MONÓXIDO DE CARBONO O PARA PREVENIR LOS EFECTOS CRÓNICOS DE LA EXPOSICIÓN AL MONÓXIDO DE CARBONO. NO PROTEGERÁ COMPLETAMENTE A LAS PERSONAS CON CONDICIONES MÉDICAS ESPECÍFICAS. EN CASO DE DUDA, CONSULTE A UN MÉDICO.

La función del CO Monitor no debe utilizarse, ni siquiera implícitamente, como sustituto de una alarma de monóxido de carbono EN 50291-1, UL-2034, CSA-6.19 o cualquier otra alarma de monóxido de carbono certificada estándar reconocida, cuando los códigos locales o regionales o la legislación ordenen su uso. La función del CO Monitor es solo un dispositivo suplementario de monitoreo de monóxido de carbono. El uso de este dispositivo queda a discreción del usuario e implica la comprensión y aceptación de sus limitaciones para adherirse a los códigos o a la legislación cuando sea aplicable.

Este aparato no debe utilizarse como sustituto de la instalación, el uso y el mantenimiento adecuados de los aparatos que queman combustible, incluyendo los sistemas adecuados de ventilación y extracción.

Las notificaciones del CO Monitor para móviles y tabletas requieren de una conexión Wi-Fi activa para funcionar. No son un sustituto de un servicio de vigilancia de emergencia de terceros.

## INSTRUCCIONES DE SEGURIDAD DEL DIFUSOR

Solo utilice el aceite aromático recomendado o suministrado por HOOVER.

Evite el uso de un humidificador independiente junto al purificador de aire cuando utilice la función Difusor de H-Essence.

Pase un paño sobre cualquier derrame de H-Essence inmediatamente. Asegúrese de limpiar todos los rincones del producto que tuvieron contacto con H-Essence.

### El Medio Ambiente:

Este aparato está marcado de acuerdo con la Directiva Europea 2012/19/EU sobre residuos de aparatos eléctricos y electrónicos (RAEE). Al cerciorarse de que este producto se elimine correctamente, usted ayudará a prevenir las posibles consecuencias perjudiciales para el medio ambiente y la salud humana que, de otro modo, podrían producirse en caso de un manejo inadecuado de los residuos de este producto.



El símbolo que puede verse en el producto indica que este no puede tratarse como residuo doméstico. En su lugar, se debe entregar en un punto de recogida de electrodomésticos para el reciclaje de equipos eléctricos y electrónicos. La eliminación debe llevarse a cabo según los reglamentos medioambientales locales sobre eliminación de residuos. Para más información sobre el tratamiento, la recuperación y el reciclaje de este aparato, ponte en contacto con tu Ayuntamiento, el servicio de recogida de residuos domésticos o con el establecimiento donde hayas comprado el producto.

### Parámetros inalámbricos para el emparejamiento

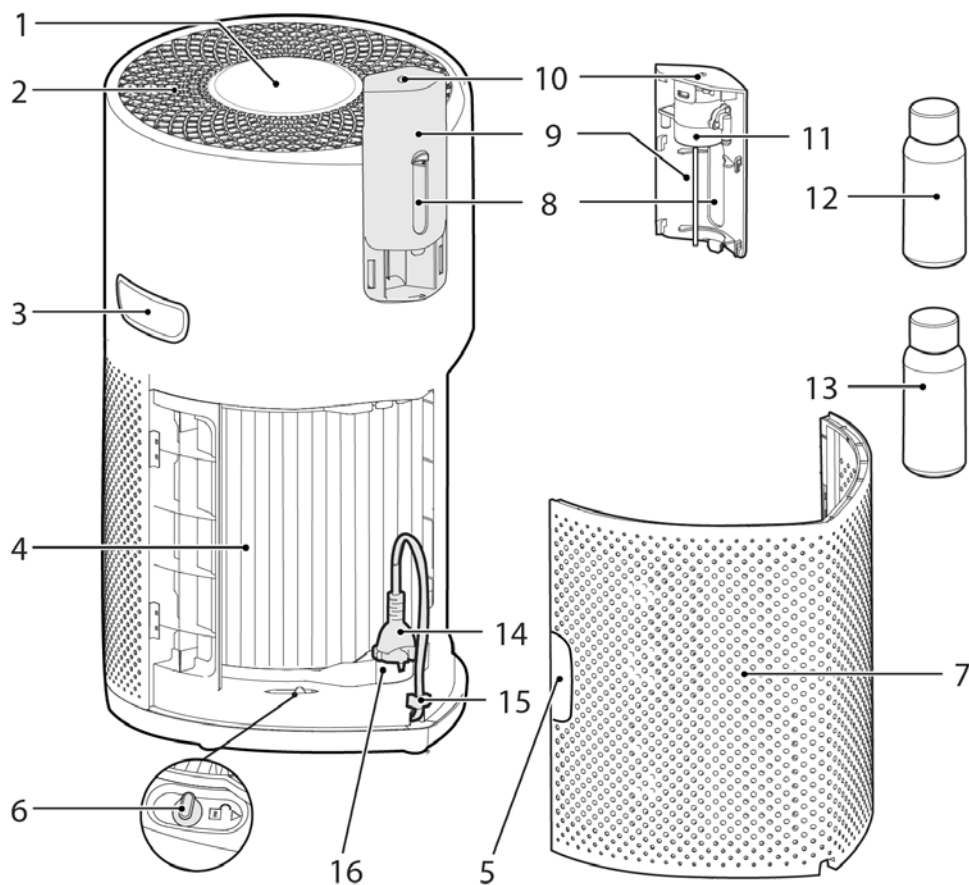
Tecnología	Wi-Fi	Bluetooth
Standard	IEEE 802.11 b/g/n	Bluetooth v4.2,BLE
Banda(s) de frecuencia(s) (MHz)	2401-2483	2402-2480
Potencia máxima (mW)	100	10
Potencia máxima de radiofrecuencia transmitida en la banda de frecuencias	18.9 dBm	

Por la presente, Candy Hoover Group Srl declara que el equipo de radio cumple con la Directiva 2014/53/UE. El texto completo de la declaración de conformidad de la UE está disponible en la siguiente dirección de Internet: [www.candy-group.com](http://www.candy-group.com)

CANDY HOOVER GROUP S.r.l. Via Privata Eden Fumagalli, 20861 Brugherio (MB) Italy



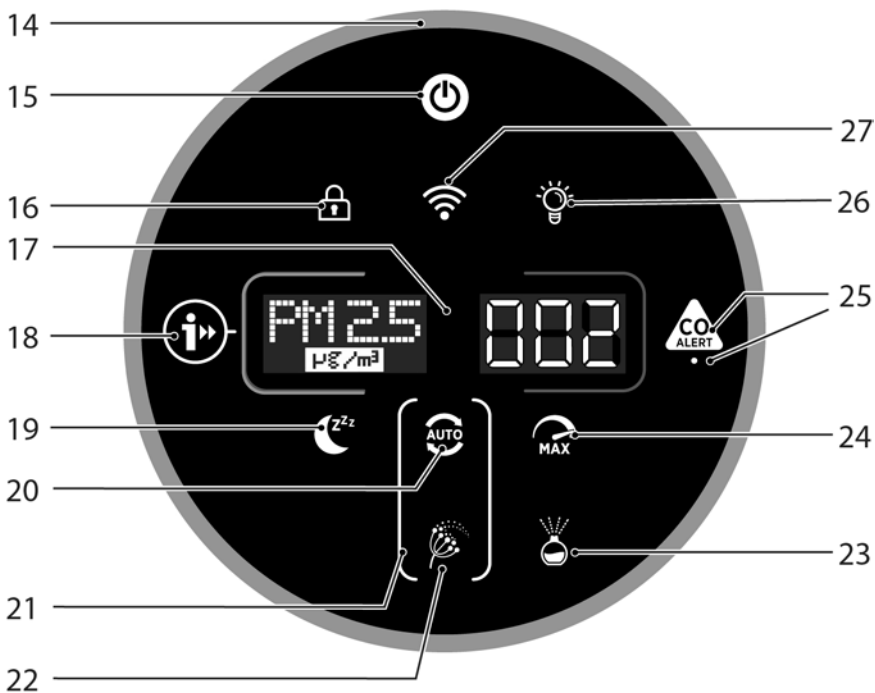
1. FAMILIARÍCESE CON SU H-PURIFIER



1	Panel de mandos / Pantalla display
2	Salida de aire
3	Mango de transporte del producto
4	Montaje del filtro
5	Mango de la cubierta de la entrada de aire

6	Botón de liberación de filtro
7	Cubierta de la entrada de aire
8	Ventana del difusor
9	Cubierta del difusor
10	Salida del difusor

11	Unidad del difusor
12	Botella de H-Essence (Verde)
13	Botella de H-Biotics (Marrón)
14	Cable de corriente y enchufe
15	Gancho de almacenamiento
16	Ubicación de transporte



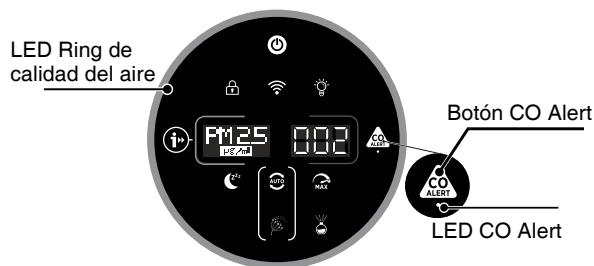
14	LED Ring de calidad del aire
15	Botón de alimentación
16	Botón de bloqueo para niños
17	Display digital
18	Botón de información
19	Botón de modo de suspensión
20	Botón de modo auto
21	Luz circular de alergia al polen
22	Luz de alergia al polen
23	Botón difusor
24	Botón de modo máximo
25	Botón y LED de CO Alert
26	Botón control de luz
27	Botón Wi-Fi

### 1.1 SISTEMA DE SENSORES MÚLTIPLES

Gracias al sistema de sensores múltiples su producto supervisará continuamente las condiciones del aire de interiores en cuanto a niveles de PM10, PM2.5 y compuestos orgánicos volátiles (GAS).

Cada vez que encienda el producto, el sistema de sensores múltiples comenzará a analizar la calidad del aire interior y el anillo LED de la calidad del aire se iluminará de diferentes colores que representan las condiciones de la calidad del aire en tiempo real.

Anillo LED de color de calidad del aire	Calidad del aire interior	Valor de PM 10* $\mu\text{g}/\text{m}^3$	Valor de PM 2.5 $\mu\text{g}/\text{m}^3$	Nivel de COV GAS
VERDE	Excelente	0-50	0-25	L1
AMARILLO	Satisfactoria	50-80	25-50	L2
NARANJA	Mala	80-160	50-100	L3
ROJO	Muy mala	$\geq 160$	$\geq 100$	L4



\* En modo de alergia al polen, los valores de PM 10 que activan el nivel de calidad de aire serán menores para minimizar el riesgo a personas alérgicas.

### 1.2 ALERTA CARBON MONOXIDE (CO)

El H-Purifier está equipado con un sistema de alerta que monitoreará constantemente el aire interior para detectar monóxido de carbono (CO). Cuando se active la alarma de monóxido de carbono, el LED Ring de calidad del aire, el botón de información y de CO Alert parpadearán en rojo simultáneamente y sonará una alarma audible. La alarma permanecerá en funcionamiento hasta que la concentración de monóxido de carbono (CO) se haya reducido por debajo de 50 ppm, a menos de que sea silenciada manualmente presionando el botón de CO Alert durante 3 segundos. El CO LED Alert muestra que el sensor de CO está funcionando correctamente. Aparece de color verde cuando el sensor de CO está en una condición normal, en color amarillo cuando el sensor tiene un fallo de funcionamiento o supera su vida útil y en color rojo cuando se activa la alerta de CO. Puede probar si la alarma está funcionando correctamente presionando el botón CO Alert durante 3 segundos, un zumbido fuerte sonará durante 5 segundos si la alarma funciona correctamente.

## 2. PREPARANDO SU H-PURIFIER

### 2.1 INSTALACIÓN DEL FILTRO [Fig. 1]

Antes de usar su producto H-Purifier, deberá retirar el filtro de su embalaje protector:

- Retire la cubierta de la entrada de aire del producto, tome los dos mangos de la cubierta de la entrada de aire y tire del producto. [Fig. 1a]
- Retire el enchufe de la ubicación de transporte y suelte el cable del gancho de almacenamiento. [Fig. 1b]
- Desbloquee el interruptor de liberación del filtro. [Fig. 1c]
- Retire el filtro de su producto y retire el embalaje exterior. [Fig. 1d,e]
- Vuelva a colocar el filtro en su producto. [Fig. 1f]
- Bloquee el interruptor de liberación del filtro. [Fig. 1g]
- Vuelva a colocar la cubierta de la entrada de aire en su producto. [Fig. 1h]

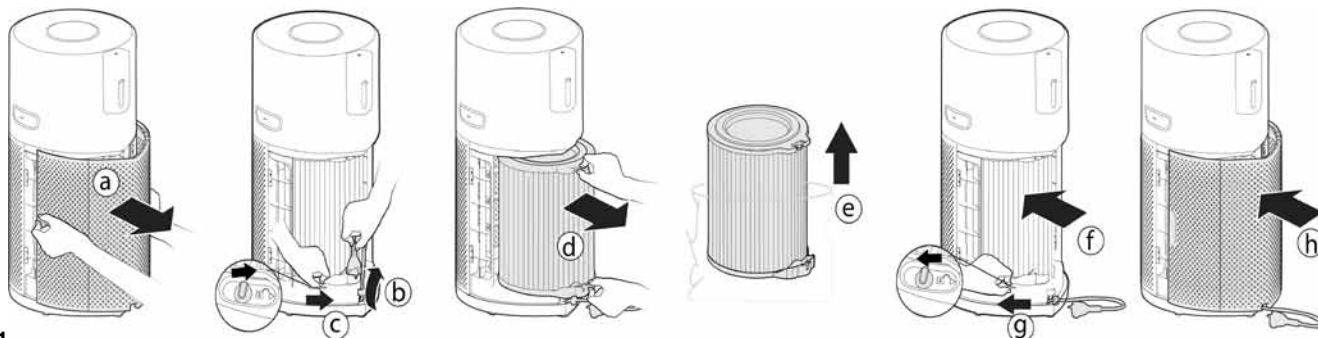


Fig. 1

### 2.2 INSTALE LA BOTELLA DEL DIFUSOR [Fig. 2]

Para preparar su producto H-Purifier para la función del difusor:

- Retire la cubierta del difusor del producto. [Fig. 2a]
- Retire la unidad del difusor de la cubierta del difusor. [Fig. 2b]
- Retire la botella de H-Essence o H-Biotics del embalaje y retire la tapa. [Fig. 2c]
- Conserve la tapa para uso futuro en el almacenamiento.
- Enrosque bien la botella en la unidad del difusor. [Fig. 2d]
- Vuelva a colocar la unidad del difusor en la cubierta del difusor. [Fig. 2e]
- Vuelva a colocar la cubierta del difusor en el producto. [Fig. 2f]

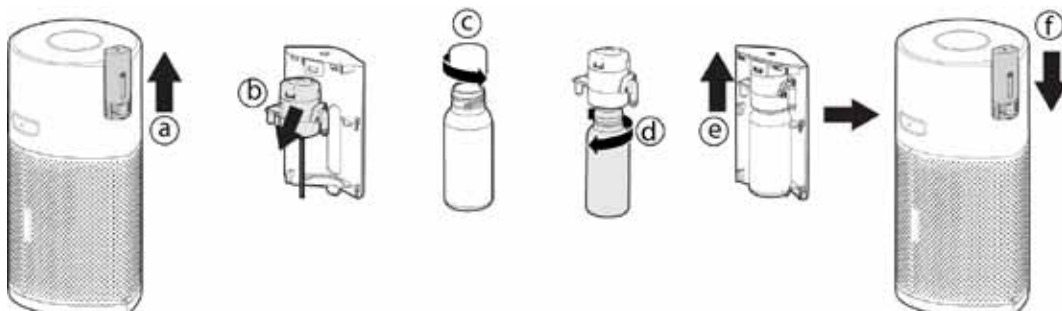


Fig. 2

### 3. USANDO SU H-PURIFIER

#### 3.1 ENCENDIDO DEL PRODUCTO [Fig. 4]:

Saque el cable de alimentación del carrete y conecte el enchufe a una fuente de alimentación. Todas las luces en el panel de control/display se iluminarán por completo durante aproximadamente 1 segundo para indicar una conexión correcta. El botón de alimentación se encenderá tenuemente y el LED de CO Alert se encenderá para indicar que el sensor dedicado ha comenzado a supervisar el nivel de monóxido de carbono en interiores.

Para encender el producto, presione el botón de ALIMENTACIÓN en el display. El anillo LED de calidad del aire se iluminará con cada uno de los colores en secuencia mientras los sensores analizan la calidad del aire en tiempo real. Después de unos segundos, el LED Ring de calidad del aire seleccionará el color apropiado para la calidad del aire en ese momento. Su producto H-Purifier entrará inmediatamente en MODO AUTO y comenzará a purificar el aire interior. El botón AUTO MODE (modo automático), el botón INFORMATION (información), el botón LIGHT CONTROL (control de luz) y la información PM10 en la pantalla se iluminarán.

#### 3.2 CONEXIÓN DEL H-PURIFIER:

Para acceder a todas las funciones del H-Purifier desde cualquier lugar, se sugiere descargar la App hOn. Podrá controlar su producto de la manera más eficiente.

##### Instrucciones:

1. Descargue la aplicación hOn en App Store, Google Play o Huawei AppGallery. También puede descargarlo al escanear el código QR en [Fig. 5]
2. Abra la APP, cree una cuenta con su correo electrónico y una contraseña.
3. Confirme e inicie sesión en la App de hOn.
4. Asegúrese de que su dispositivo móvil esté conectado a Wi-Fi.
5. Asegúrese de que el H-Purifier esté encendido. Mantenga presionado el botón de Wi-Fi en el display durante 5 segundos, se escuchará un pitido y el botón de Wi-Fi comenzará a parpadear para indicar que está esperando una conexión. [Fig. 6]
6. Siga las instrucciones de la app para conectar su dispositivo móvil al producto.
7. Una vez que se haya emparejado con éxito, el botón Wi-Fi del producto permanecerá iluminado.
8. Para restaurar el Wi-Fi, mantenga presionado el botón Wi-Fi durante 5 segundos.

El H-Purifier también funciona con Google Home y Amazon Alexa.

#### 3.3 DESCUBRA TODAS LAS FUNCIONES

##### Función de INFORMACIÓN [Fig. 7]:

Hay 6 diferentes conjuntos de datos disponibles para monitorear: PM10, PM2.5, GAS, Temperatura, Humedad y Estatus del Filtro.

Para monitorear cada valor simplemente presione consecutivamente el botón de INFORMACIÓN. El display mostrará de forma predeterminada los datos del PM10, la máquina recordará la última selección del usuario y mantendrá esta selección la próxima vez que se encienda el producto. Los datos de GAS mostrarán un cursor giratorio durante los 3 minutos iniciales después de que se encienda el producto mientras el sensor de GAS esté realizando un ciclo de calibración.

##### Más información sobre PM 2.5, PM 10 y GAS:

PM indica partículas finas (no visibles para el ojo humano) derivadas principalmente de la contaminación exterior como vehículos y emisiones industriales y potencialmente peligrosas para nuestra salud en caso de exposición prolongada. Las PM 10 tienen un tamaño de hasta 10  $\mu\text{m}$  y son capaces de penetrar en las vías respiratorias superiores (nariz, tráquea, faringe). Las PM 2.5 tienen un tamaño de hasta 2.5  $\mu\text{m}$  y, dada su pequeña dimensión, pueden llegar a nuestros pulmones, penetrando así más profundamente en nuestro cuerpo. GAS VOC (compuestos orgánicos volátiles) son compuestos químicos volátiles con la capacidad de evaporarse fácilmente en el aire a temperatura ambiente. Desodorantes, detergentes, colas, adhesivos, cosméticos, formaldehído son solo algunos de los compuestos orgánicos volátiles que podrían estar presentes en nuestros hogares pero que son potencialmente dañinos para nuestra salud en caso de exposición prolongada.

##### Funciones de MODO:

Hay 3 modos de purificación de aire disponibles: MODO AUTO, MODO MÁXIMO y MODO SUEÑO. El modo auto es el ajuste predeterminado del producto cuando se enciende, todos los modos pueden seleccionarse manualmente pulsando el botón correspondiente en el display. El modo de ALERGIA AL POLEN también se puede activar a través de la app hOn.

##### MODO AUTO [Fig. 8]:

Este es el modo predeterminado de su producto H-Purifier cuando se enciende por primera vez. En el modo automático, el H-Purifier ajusta automáticamente la velocidad del ventilador al nivel real de calidad del aire interior para garantizar siempre una purificación óptima del aire. Este es el ajuste recomendado para su producto. En modo AUTO, después de 30 minutos de una calidad de aire excelente, su producto ingresará a un modo ECO (función en espera) y pondrá en pausa la función de purificación (ventilador), el sistema de sensores múltiples continuará analizando el aire interior y encenderá automáticamente la función de purificación cuando sea necesario.



Fig. 4



Fig. 5

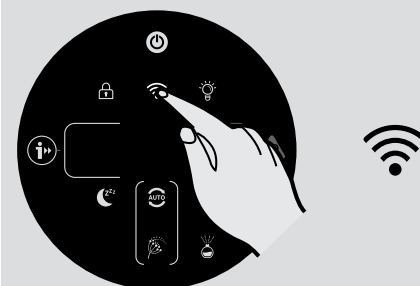


Fig. 6

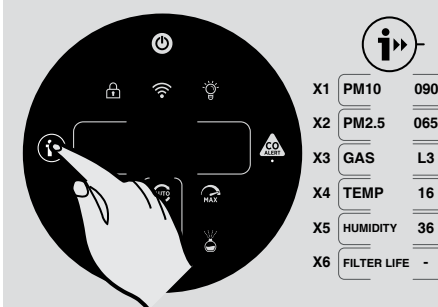


Fig. 7



Fig. 8

**MODO MÁXIMO [Fig. 9]:**

Presione el botón de modo MÁXIMO en el display para activar la purificación del aire en el ajuste de máxima potencia. Para salir del modo MÁXIMO, simplemente seleccione el modo AUTO o el modo SUSPENSIÓN.

**MODO SUSPENSIÓN [Fig. 10]:**

Presione el botón de modo SUSPENSIÓN para activar la purificación del aire en el ajuste de potencia silenciosa más bajo. El botón del modo SUSPENSIÓN se iluminará tenuemente y todas las demás luces del display se apagarán. Esto puede modificarse presionando el botón LIGHT CONTROL (control de luz).

**MODO DE ALERGIA AL POLEN: [Fig. 11]**

El modo de alergia al polen solo puede ser activado a través de la APP hOn. Primero se le pedirá que active y registre un perfil en la app para así poder crear su Perfil de Alergia al Polen.

El modo de alergia al polen funciona solo cuando se selecciona el MODO AUTO. [Fig. 11c]

En el modo de alergia al polen, el aparato recibe continuamente datos en tiempo real de la APP sobre la concentración de polen monitoreada en el exterior y funciona automáticamente para maximizar el rendimiento de la captura de polen.

Una vez capturados los pólenes, estos se desactivan para ayudar a aliviar los síntomas de la alergia. Cuando se activa el modo de alergia al polen en la App, hay 2 posibles luces de notificación en el display del producto:

- La luz de la alergia al polen es **BLANCA [Fig. 11a]**: El aparato y la App monitorean la presencia de polen en el exterior y no hay ningún riesgo.

- La luz de alergia al polen se vuelve **AMARILLA** y la luz circular de alergia al polen es **BLANCA [Fig. 11b]**: El aparato y la APP han detectado el riesgo.

Si el producto se pone manualmente en modo SUSPENSIÓN o en modo MÁXIMO mientras el modo de alergia al polen está activado, el modo de alergia al polen se detendrá.

**Función del MANDO DE LUZ: [Fig. 12]**

Hay 3 ajustes disponibles para la iluminación del display: On, Dim & Off.

Para ajustar el brillo de la iluminación de la pantalla, simplemente presione el botón LIGHT CONTROL de la pantalla para escoger entre las 3 opciones disponibles. ENCENDIDO es el ajuste predeterminado.

Si se selecciona APAGADO, tendrá que presionar cualquier otro botón dos veces para activarlo; al hacerlo una vez, las luces se ATENUARÁN y al presionarlo por segunda vez se activará la acción.

**Función de BLOQUEO INFANTIL: [Fig. 13]**

Mantenga presionado el botón de BLOQUEO INFANTIL durante 3 segundos para activarlo, se escuchará un sonido perceptible cuando se haya activado y el botón de BLOQUEO INFANTIL permanecerá iluminado. Ningún otro botón funcionará cuando se active.

Para salir, simplemente mantenga presionado el botón de BLOQUEO INFANTIL durante 3 segundos, se escuchará un sonido perceptible que confirma que está apagado y el botón ya no se iluminará.

**Función DE DIFUSOR: [Fig. 14]**

El difusor se propaga en el aire de la habitación H-Essence o H-Biotics. H-Essence es la colección Hoover de aceites esenciales para liberar fragancias agradables en el aire.

H-Biotics es una mezcla natural basada en probióticos que mantiene la habitación bio-higienizada, inhibiendo el crecimiento de microorganismos como bacterias o microbios.

Hay 4 ajustes diferentes para la función de DIFUSOR: SUAVE, MEDIO, PERSONALIZADO Y H-BIOTICS. Para activar esta función simplemente presione el botón difusor en el display, el ajuste predeterminado para esta función es SUAVE; para seleccionar cualquiera de los otros ajustes simplemente presione consecutivamente el botón para cambiar a la selección deseada. El botón se iluminará en blanco cuando se encienda.

Se recomienda usar los ajustes SUAVE y MEDIO para el H-Essence.

El ajuste PERSONALIZAR solo puede crearse desde la App hOn.

Al usar H-Biotics, el ajuste DEBE establecerse en H-Biotics. Una vez que el usuario activa H-Biotics mediante la APP, esta emitirá una alerta de "ACTIVAR H-BIOTICS" después de 120 horas para asegurar el uso de H-biotics cada 5 días.

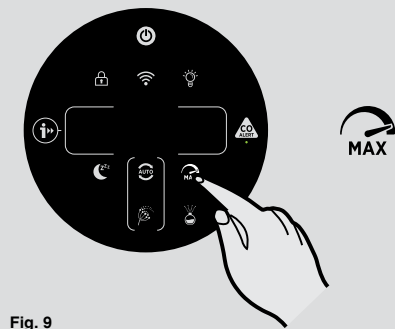


Fig. 9

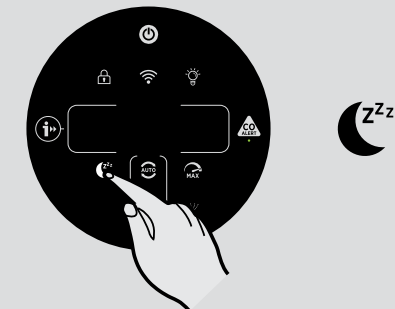


Fig. 10



Fig. 11

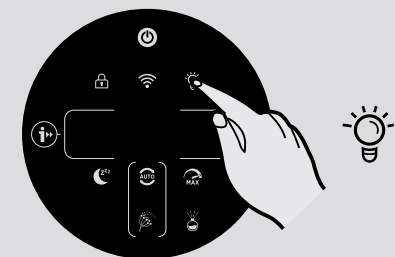


Fig. 12



Fig. 13

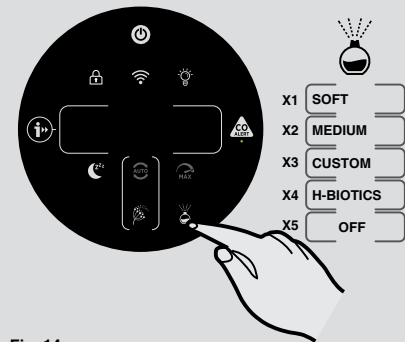


Fig. 14

Cuando use H-Essence en ciertos ajustes o ambiente de habitación, el nivel de COV GAS puede cambiar debido a la detección de las fragancias. La función de difusor solo funciona cuando el anillo LED de la calidad del aire está de color verde, se pausará cuando el anillo LED no esté en verde y continuará funcionando cuando regrese a color verde.

La función de difusor solo se puede usar en los modos AUTO y MÁXIMO, pero no en el modo de SUSPENSIÓN.

Al activar la función Difusor en modo AUTO, el ventilador principal funcionará con una velocidad específica para ayudar a esparcir el H-Essence o el H-Biotics por la habitación.

Ajuste	Tiempo de difusión	Duración máxima del ciclo
SUAVE	10 segundos cada 5 minutos	6 horas
MEDIO	90 segundos cada 3.5 minutos	6 horas
PERSONALIZADA	Definido por el usuario	6 horas
H-BIOTICS	2 minutos cada 4 minutos	6 horas

## 4. MANTENIMIENTO DE SU H-PURIFIER

### 4.1 MANTENIMIENTO DEL FILTRO

Su H-Purifier controlará el estado de su filtro. Una alerta de **CLEAN FILTER O REPLACE FILTER** aparecerá en el lado izquierdo del display y parpadeará indicando que se requiere una acción para limpiar o cambiar el filtro.

#### Limpeza/reemplazo del filtro: [Fig. 15]

- Retire la cubierta de la entrada de aire en su producto. [Fig. 15a]
- Desbloquee el interruptor de liberación del filtro. [Fig. 15b]
- Retire el filtro de su producto. [Fig. 15c]
- Utilice una aspiradora para limpiar la capa externa del filtro o reemplace el filtro por uno NUEVO. [Fig. 15d]
- Vuelva a colocar el filtro en su producto. [Fig. 15e]
- Bloquee el interruptor de liberación del filtro. [Fig. 15f]
- Vuelva a colocar la cubierta de la entrada de aire en su producto. [Fig. 15g]
- Enchufe su aparato a la fuente de alimentación y enciéndalo.
- Mantenga presionado el botón INFORMACIÓN durante 3 segundos para reiniciar la alerta de Limpieza/Reemplazo; se escuchará una alerta audible para indicar un reinicio exitoso. [Fig. 7]

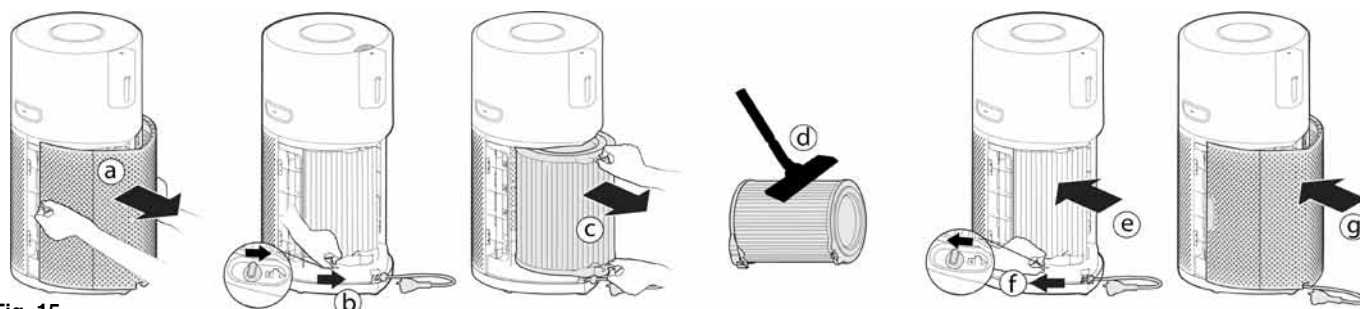


Fig. 15

### 4.2 MANTENIMIENTO DEL DIFUSOR

Después de cada uso de la función de difusor, utilice un paño seco y suave para limpiar cualquier residuo de las superficies del producto.

#### Reemplazo de la botella del difusor: [Fig. 16]

El volumen de líquido restante en la botella se puede verificar a través de la ventana del difusor, cuando sea necesario, la botella debe ser reemplazada.

- Retire la cubierta del difusor del producto. [Fig. 16a]
- Retire la unidad y la botella de la cubierta del difusor. [Fig. 16b]
- Desatornille y quite la botella vacía. [Fig. 16c]
- Retire la nueva botella de H-Essence o H-Biotics del embalaje y retire la tapa. [Fig. 16d]
- Enrosque firmemente la nueva botella en la unidad del difusor. [Fig. 16e]
- Vuelva a colocar la unidad del difusor en la cubierta del difusor. [Fig. 16f]
- Vuelva a colocar la cubierta del difusor en el H-Purifier. [Fig. 16g]

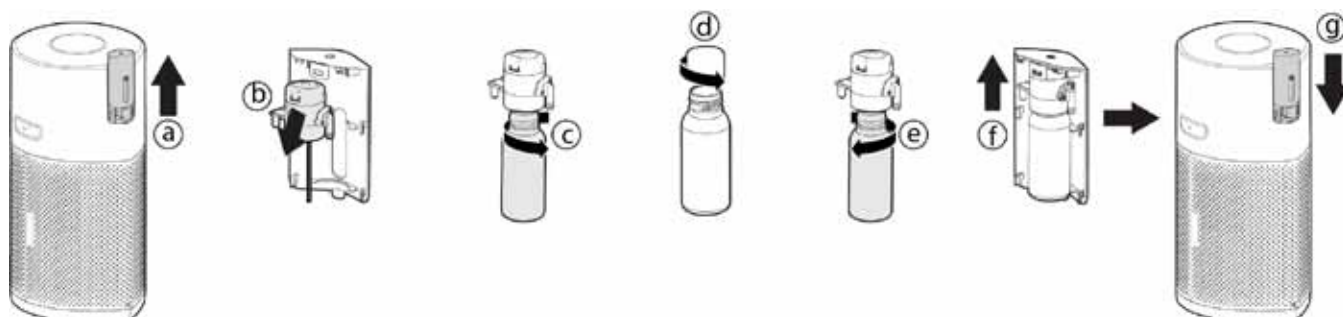


Fig. 16



## 5. ALMACENAMIENTO DE SU H-PURIFIER

1. Apague el H-Purifier y desconecte el cable de corriente.
2. Limpie todas las superficies internas y externas del H-Purifier y la capa externa del filtro.
3. Retire la botella del difusor. Vuelva a colocar la tapa original en la botella y guárdela para protegerla de la luz directa. Limpie las superficies de la unidad del difusor y la cubierta del difusor. Asegúrese de que no haya residuos de H-Essence o H-Biotics en ninguna superficie del H-Purifier.
4. Asegúrese de que todos los componentes estén secos.
5. Retire la cubierta de entrada de aire [Fig. 17a], enrolle el cable de alimentación tirando del cable [Fig. 17b], acomode el cable en el gancho de almacenamiento y coloque el enchufe en la ubicación de transporte. [Fig. 17c,d] Vuelva a colocar la cubierta de la entrada de aire. [Fig. 17e]
6. Guarde el H-Purifier en un lugar seco y fresco.

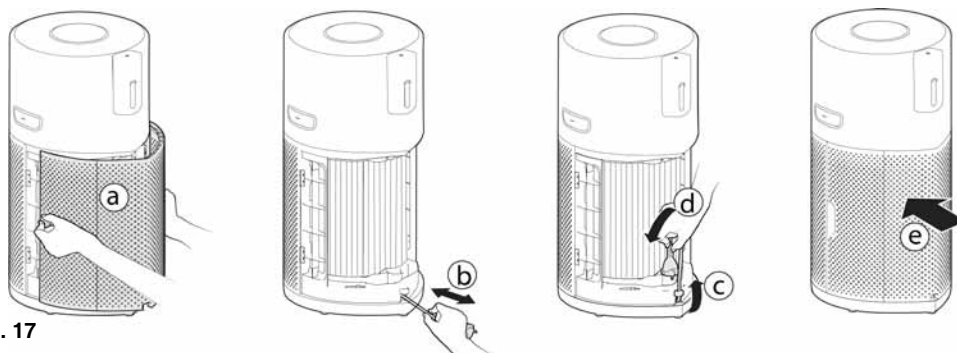


Fig. 17

## 6. ALERTAS Y SOLUCIONES

Los siguientes códigos pueden aparecer durante su uso. [Fig. 18]

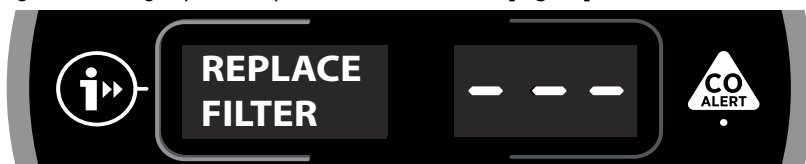


Fig. 18

Alerta		Descripción de la alerta	Solución
Alerta en el producto	Alerta en la APP		
"CLEAN FILTER"	Alerta de limpieza del pre-filtro	Se sugiere limpiar la capa externa del filtro.	1. Limpie la capa externa del filtro. 2. Reinicie la alerta al mantener presionado el botón INFORMACIÓN durante 3 segundos. <b>Consulte 4.1 MANTENIMIENTO DEL FILTRO</b>
"REPLACE FILTER"	Alerta de reemplazo de filtros	Se sugiere reemplazar el filtro.	1. Reemplace el filtro. 2. Reinicie la alerta al mantener presionado el botón INFORMACIÓN durante 3 segundos. <b>Consulte 4.1 MANTENIMIENTO DEL FILTRO</b>
"FILTER MISSING"	Error: ocurrió un error con el purificador de aire, verifique las soluciones posibles	El filtro no está en su posición o no está correctamente bloqueado	1. Si no hay filtro presente, colóquelo de nuevo. 2. Si el filtro está en su posición, verifique si la pestaña de liberación del filtro está en estatus de BLOQUEO. <b>Consulte 2.1 INSTALACIÓN DEL FILTRO</b>
"ERROR DEL SENSOR DE PM"	/	Mal funcionamiento del sensor de PM	Falla del sensor de PM o el cable del sensor no se ha conectado correctamente, llame al centro de servicio para arreglarlo.
El LED CO Alert es de color amarillo	Error: ocurrió un error con el purificador de aire, verifique las soluciones posibles	El CO Sensor tiene un fallo de funcionamiento o el sensor de CO superó su vida útil.	Llame al centro de servicio para arreglarlo.
/	Error: ocurrió un error con el purificador de aire, verifique las soluciones posibles	Fallo del motor	Fallo del motor o el cable del motor no se ha conectado bien, comuníquese con el centro de servicio para arreglarlo.
"ERROR DE SENSOR DE TEMP y HUM."	/	El sensor de temperatura y humedad tiene una fallo de funcionamiento	El sensor de temperatura y humedad tiene un fallo o el cable del sensor no se ha conectado correctamente, llame al servicio técnico para arreglarlo.
"PAUSE"	/	El difusor en funcionamiento se pondrá en pausa cuando el anillo LED de la calidad del aire no esté en color verde.	No es necesaria llevar a cabo ninguna acción. El difusor reanudará su funcionamiento cuando el anillo LED de la calidad del aire esté en color verde.

**ATENCIÓN** Si cualquiera de estos fallos persiste, póngase en contacto con su Servicio Técnico de Hoover. NO intente desmontar el H-Purifier por su cuenta.

## 7. SOLUCIÓN DE PROBLEMAS

A continuación se expone una lista de problemas comunes y sus soluciones.

Si cualquiera de dichos problemas persiste, póngase en contacto con el departamento de Postventa de Hoover.

El ventilador no funciona (Panel de mandos / Luces del Display encendidas)	<ul style="list-style-type: none"> <li>• Verifique la alerta que aparece en el display o en la app. Si está ahí, consulte <b>6. ALERTAS Y SOLUCIONES</b>.</li> <li>• Verifique si hay alguna obstrucción en el ventilador. Si la hay, primero desconecte el producto y retire la obstrucción o llame al centro de servicio para que la retiren.</li> <li>• Verifique que el H-Purifier esté encendido.</li> <li>• Verifique si el filtro está correctamente instalado y en el estado de bloqueado.</li> <li>• Verifique si el H-Purifier está en una posición vertical completamente recta y no está inclinado.</li> <li>• El H-Purifier puede estar en el modo ECO. Puede presionar el botón Modo Sueño o el botón Modo Máximo para salir del Modo ECO. Consulte 3. <b>USO DEL H-PURIFIER – MODO AUTO</b>.</li> </ul>
El ventilador no funciona (Panel de mandos / Las luces del display están apagadas)	<ul style="list-style-type: none"> <li>• Verifique que el H-Purifier esté enchufado y encendido.</li> <li>• Verifique la alerta que aparece en la aplicación. Si está ahí, consulte <b>6. ALERTAS Y SOLUCIONES</b>.</li> </ul>
No hay luces en el panel de mandos / Pantalla display (El ventilador funciona)	<ul style="list-style-type: none"> <li>• En Modo Sueño, el ajuste de luces predeterminadas está apagado. Puede presionar el botón Mando de luz para encender las luces.</li> <li>• Las luces pueden apagarse. Presione el botón Light Control para encender las luces. Consulte 3. <b>USO DEL H-PURIFIER – MODO SUSPENSIÓN / Función LIGHT CONTROL</b></li> </ul>
Los botones en el panel de control no funcionan	<ul style="list-style-type: none"> <li>• Es posible que esté activado el bloqueo infantil. Mantenga presionado el botón CHILD LOCK durante 3 segundos para salir de esa función. Consulte 3. <b>USO DEL H-PURIFIER – Función de BLOQUEO INFANTIL</b>.</li> </ul>
El flujo de aire es débil	<ul style="list-style-type: none"> <li>• Verifique si el embalaje protector ha sido retirado del filtro.</li> <li>• Verifique si hay alguna obstrucción en la cubierta de entrada o salida de aire.</li> <li>• Retire la tapa de la entrada de aire y verifique la condición del filtro. Limpie la capa externa del filtro o reemplace el filtro, de ser necesario. Puede verificar el estado de la vida útil del filtro en la pantalla al presionar el botón Información.</li> <li>• Verifique si el H-Purifier está en modo de suspensión. El ventilador funciona con una potencia reducida en este modo.</li> </ul>
H-Purifier funciona con mucho ruido	<ul style="list-style-type: none"> <li>• Verifique que no haya obstrucciones en el H-Purifier.</li> <li>• Verifique si el H-Purifier está funcionando en el Modo máximo. El ventilador opera a la máxima potencia en este modo.</li> </ul>
El H-Purifier funciona con mucho ruido de repente	<ul style="list-style-type: none"> <li>• Verifique si el H-Purifier está funcionando en Modo Auto y el anillo LED de la calidad del aire no está en verde. En el modo auto, el H-Purifier ajusta automáticamente la velocidad del ventilador al nivel real de la calidad del aire interior. Consulte 3. <b>USO DEL H-PURIFIER – MODO AUTO</b>.</li> </ul>
El H-Purifier emite un fuerte zumbido de repente	<ul style="list-style-type: none"> <li>• La función de prueba del botón de alerta de CO se activa por mal funcionamiento. El sonido se detendrá automáticamente después de 5 segundos. Consulte <b>1.2 ALERTA DE MONÓXIDO DE CARBONO (CO)</b></li> </ul>

## INFORMACIÓN IMPORTANTE

### Piezas de repuesto y consumibles de Hoover

Utilice siempre piezas de repuesto originales de Hoover. Puede adquirirlas a través de su Servicio Técnico Oficial de Hoover. Cuando realice pedidos de piezas, indique siempre el número de modelo que posee.

### CALIDAD

Las fábricas de Hoover han sido sometidas a inspecciones de calidad independientes.. Nuestros productos se fabrican de conformidad con un sistema de calidad que cumple los requisitos de la norma ISO 9001.

### SU GARANTÍA

Las condiciones de garantía para este aparato vienen definidas por nuestro representante en el país de venta. Puede obtener los detalles acerca de estas condiciones en el establecimiento donde haya comprado este aparato. Debe mostrarse la factura de compra o el tíquet al hacer alguna reclamación en virtud de las condiciones de garantía.

Sujeto a cambios sin previo aviso.



## GENERELLE SIKKERHEDSADVARSLER

Dette udstyr bør kun anvendes i private husholdninger, og som beskrevet i denne brugervejledning. Sørg venligst for, at denne vejledning er fuldt forstået, før du betjener udstyret, og gem den som senere reference.

Kontroller om den spænding og klassificeringer som er indikeret på mærket på udstyret svarer til den lokale strømspænding, før du tilslutter udstyret.

Hvis netledningen er ødelagt, skal du stoppe med at bruge støvsugeren øjeblikkeligt. For at undgå en sikkerhedsrisiko, skal en autoriseret HOOVER servicetekniker udskifte strømkablet.

Du må ikke fjerne stikket ved at trække i strømledningen.

Placer strømledningen så ingen kan træde eller falde over den.

Du skal altid slukke og fjerne apparatet fra stikket, før du flytter eller rengører apparatet, eller udfører anden vedligeholdelse.

Dette udstyr kan anvendes af børn, der er 8 år gamle og derover, og af personer med nedsatte fysiske, sensoriske eller mentale evner eller manglende erfaring og viden, hvis de er under opsyn eller vejledning i at bruge udstyret på en sikker måde og forstår de risici, der er involveret. Børn må ikke lege med udstyret.

Rengøring og vedligeholdelse må ikke udføres af børn uden en voksen tilstede.

Udstyret fjerner ikke kulilte (CO) eller radon (Rn). Det kan ikke bruges som en sikkerhedsanordning, i tilfælde af ulykker med forbrændingsprocesser og farlige kemikalier.

Lad være med at fortsætte at bruge støvsugeren, hvis den ser ud til at være defekt.

Du må ikke blokere luftindgangen eller luftudgangen.

Du må ikke placere dine fingre eller objekter i luftudgangen eller luftindgangen, for at forhindre fysisk skade eller fejl i udstyret.

Du må ikke rengøre apparatet med vand, andre væsker eller (brandbart) rengøringsmiddel, eller lade dem trænge ind i apparatet, for at undgå elektrisk stød og/eller brandfare.

Du må ikke sprøjte med brandbare materialer, såsom sprøjtemidler eller parfume i nærheden af udstyret.

Dette udstyr er ikke en erstatning for korrekt ventilering, jævnlig støvsugning, eller brug af en emhætte eller ventilator under madlavning.

Brug kun forbrugsvarer, filtre eller reservedele, som anbefalet eller leveret af HOOVER.

Sørg for, at filteret er monteret korrekt, før du tænder for apparatet.

Undgå at støde ind i udstyret (i særdeleshed luftindgangen og luftudgangen) med hårde objekter.

Hold produktet tørt.

Du må aldrig vippe eller tømme produktet under anvendelse.

Når udstyret ikke anvendes i en længere periode, kan der opstå bakterievækst på filtrene. Kontroller filtrene efter en længere periode uden brug. Hvis filtrene er meget beskidte, skal du udskifte dem.

For at sikre løbende sikker og effektiv drift af dette apparat anbefaler vi, at eftersyn eller reparationer udelukkende udføres af en autoriseret Hoover-servicetekniker.

## BRUG I MILJØET

Placer og brug kun produktet på en tør, stabil, lige horisontal overflade, så den ikke kan vælte. Der skal efterlades mindst 20 cm fri plads bag, og ved begge sider af udstyret, og mindst 30 cm fri plads over udstyret.

For at forhindre afbrydelser, skal du placere udstyret mindst 2 m væk fra elektrisk udstyr der anvender radiobølger, såsom fjernsyn, radioer og radiostyrede ure.

Du må ikke placere noget oven på udstyret.

Du må ikke bruge dette udstyr når du har brugt indendørs insektmiddel af røgtypen, eller på steder med olierester, røgelse eller kemiske dampe.

Du må ikke placere udstyret i nogle af de følgende lokationer:

- På varme overflader, i nærheden af varme overflader, åbent ild eller direkte sollys, i nærheden af gasudstyr, varmeudstyr eller kaminer;
- Ved siden af, eller direkte over varmere eller airconditionssystemkanaler, døre, vinduer, emhætter, komfurer eller andre steder som kan påvirkes af træk;
- I et badeværelse eller andre områder hvor produktet kan udsættes for vandstænk, dryp eller kondens (f.eks. direkte over et airconditionanlæg eller over en elkedel);
- I et aflukket område (f.eks. i eller under et skab);
- I et område hvor temperaturen kan falde til under  $-20^{\circ}\text{C}$ , eller stige til over  $50^{\circ}\text{C}$ ;
- I et rum med store temperaturændringer, i våde omgivelser eller omgivelser med meget høj omgivelsestemperaturer eller høj fugt, såsom badeværelset, toilettet eller køkkenet;
- Hvor det bliver blokeret, f.eks. af gardiner eller møbler;
- Hvor snavs eller støv kan blokere sensoren.

## CO-MONITOR SIKKERHEDSINSTRUKTIONER

Hvis CO Alarm er aktiveret, bør du åbne alle vinduer og døre (hvis det er sikkert). Sluk for alt brændselsudstyr hvis muligt, og forlad bygningen med vinduer og døre åbne. Få omgående hjælp til alle der lider af effekter af kulilteforgiftning. Gå ikke ind i bygningen igen, før alarmer stopper. Alarmer vil stoppe når CO er væk. Brug ikke brændselsudstyret igen, før CO kilden er blevet lokaliseret, og udbedret af en kvalificeret tekniker.

Undgå at bruge maling, fortyndere, dampe fra opløsningsmidler, luftfriskere, aerosolsprays, eller kemiske rensere i nærheden af udstyret. Dette kan påvirke funktionen af CO Monitor.

For at aktivere CO Monitor, skal du forbinde stikket til en stikkontakt. CO Alert LED vil lyse grønt. Når CO Monitor registrerer et usikkert niveau af CO, vil CO Alarm lyde højlydt, og CO Alert knappen og Luftkvalitet LED Ring vil blinke rødt. Alarmer vil fortsætte med at lyde, indtil den registrerede CO reduceres til et sikkert niveau.

Rør [CO Alert] knappen i 3 sekunder for at teste CO Alarm funktionen, og alarmer vil lyde højlydt i 5 sekunder. Test alarmer hver måned, og efter længere fravær fra bygningen (f.eks. ferier). Hvis alarmer ikke lyder efter at have rørt [CO Alert] knappen i 3 sekunder, bedes du kontakte Hoover kundeservice, for at arrangere, at en kvalificeret tekniker kan reparere fejlen.

Hvis displayet indikerer, at CO Sensor er defekt, eller dens levetid er udløbet, bedes du kontakte Hoover kundeservice, for at arrangere, at en kvalificeret tekniker kan udskifte CO Sensor. Den forventede levetid af CO Sensor er 7 år, og den skal udskiftes efter denne periode.

Lad ikke små børn trykke på CO Alert knappen i 3 sekunder, eftersom de kan udsættes for høje lyde, når alarmer lyder.

Driftsfugt: 15 – 90% RH

Driftstemperatur:  $0^{\circ}\text{C}$  til  $+40^{\circ}\text{C}$

Kulilte påvirker kroppen ved at udelukke (kvæle) de kritiske organer for ilt. Når CO inhaleres, fastgøres det til hæmoglobin i blodet som normalt transporterer ilt rundt i kroppen. CO vil permanent fjerne iltmolekylernes evne til at fastgøre sig til hæmoglobin, hvormed mængden af ilt til de vitale organer reduceres. Koncentrationsniveauet og tiden man udsættes for CO kan have forskellige effekter på kroppen, men eksperterne er enige om, at selv udsættelse af lave niveauer af kulilte over længere perioder, kan have alvorlige og vedvarende effekter på alles overordnede helbred.

**ADVARSEL:** CO ALARM ER DESIGNET TIL AT BESKYTTE INDIVIDER FRA DE AKUTTE EFFEKTER FRA UDSÆTTELSE AF KULILTE, ELLER FORHINDRE DE KRONISKE EFFEKTER VED UDSÆTTELSE AF KULILTE. DET VIL IKKE FULDSTÆNDIG BESKYTTE INDIVIDER MED SPECIFIKKE MEDICINSKE TILSTANDE. HVIS DU ER I TVIVL, BEDES DU KONTAKTE DIN LÆGE.

CO Monitor funktionen må ikke bruges som, og er ikke indikeret til at blive brugt som erstatning for EN 50291-1, UL-2034, CSA-6.19 eller enhver anden anerkendt standard inden for certificeret kuliltealarm, hvor lokale eller regionale bestemmelser eller lovgivning angiver deres brug. CO Monitor funktionen er udelukkende en ekstra kulilte overvågningsenhed. Brug af udstyret er på brugerens eget ansvar, og indebærer forståelsen af, og accept af dets begrænsninger i forbindelse med overholdelse af bestemmelser eller lovgivning, hvor det er relevant.

Udstyret bør ikke anvendes som erstatning for korrekt montering, brug og vedligeholdelse af brændstofbrændende udstyr, inklusive passende ventilations- og udsugningssystemer.

CO Monitor mobil- og tabletnotifikationer kræver en funktionel WiFi-forbindelse, for at fungere. De er ikke en erstatning for en tredjepart nødovervågningstjeneste.

## DIFFUSER SIKKERHEDSINSTRUKTIONER

Brug kun aromaolie som anbefales, eller leveres af HOOVER.

Undgå brugen af en enkeltstående luftfugter ved siden af luftrenseren, når du bruger diffusorfunktionen i H-Essence.

Tør omgående spildt H-Essence op. Sørg for at rengøre alle hjørner af produktet, som har været i kontakt med H-Essence.

### Miljøet

Denne luftrenser er mærket i overensstemmelse med det europæiskedirektiv 2012/19/EU om affald af elektrisk og elektronisk udstyr (WEEE). Ved at sikre at dette produkt bortskaffes korrekt er du med til at forhindre eventuelle negative konsekvenser for miljø og sundhed, som ellers kunne forårsages på grund af forkert bortskaffelse af dette produkt.

Symbolet på produktet angiver, at produktet ikke må behandles som husholdningsaffald. Det skal i stedet afleveres til en relevant affaldsstation for genbrug af elektrisk og elektronisk udstyr. Bortskaffelse skal ske i overensstemmelse med de lokale miljøregler vedrørende bortskaffelse af affald. For mere detaljeret information om behandling, genvinding og genbrug af dette produkt, henvend dig da til den lokale kommune, til dit affaldsselskab eller den forretning hvor du købte produktet.



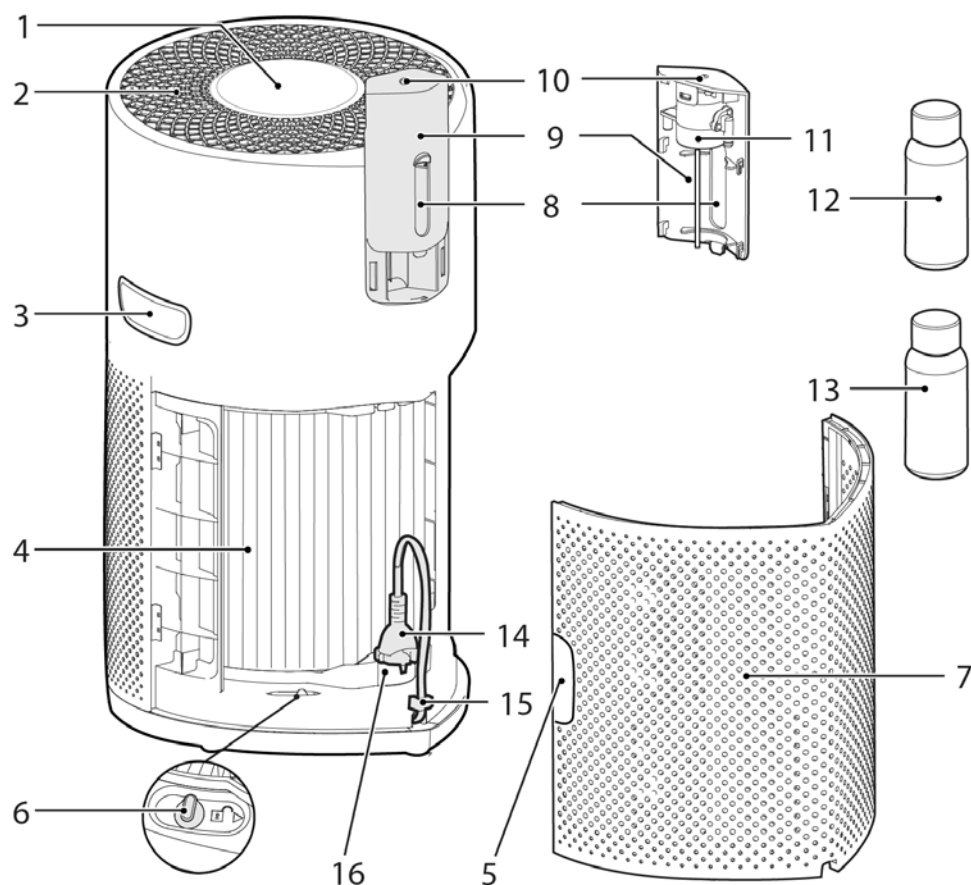
### Trådløs parameter for parring

Teknologi	WiFi	Bluetooth
Standard	IEEE 802.11 b/g/n	Bluetooth v4.2, BLE
Frekvensbånd (MHz)	2401-2483	2402-2480
Maximum Effekt (mW)	100	10
Maksimal RF strøm i frekvensbåndet	18.9 dBm	

Candy Hoover Group Srl erklærer hermed, at radioudstyret er i overensstemmelse med direktiv 2014/53/EU. Den fulde tekst for denne EU-overensstemmelseserklæring er tilgængelig på den følgende internetadresse: [www.candy-group.com](http://www.candy-group.com)

CANDY HOOVER GROUP S.r.l. Via Privata Eden Fumagalli, 20861 Brugherio (MB) Italy

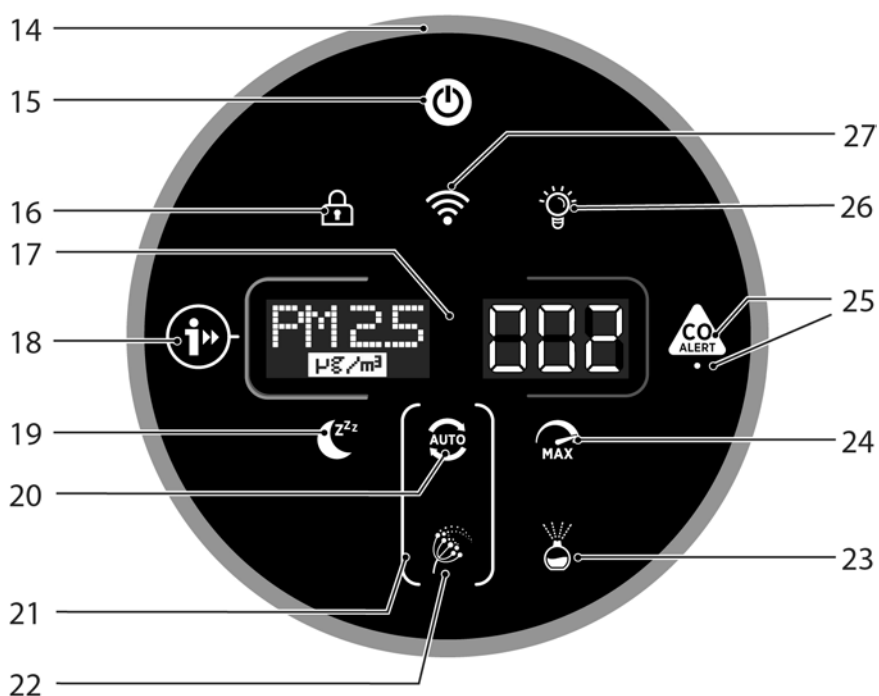
## 1. LÆR DIN H-PURIFIER AT KENDE



1	Kontrolpanel / Display
2	Luftudtag
3	Produkt bærehåndtag
4	Filterenhed
5	Luftindtagets dækselhåndtag
6	Filter frigivelseskontakt

7	Luftindtagets dæksel
8	Diffusorvindue
9	Diffusordæksel
10	Diffusorudgang
11	Diffusorenhed

12	H-Essence flaske
13	H-Biotics flaske
14	Strømledning og stik
15	Opbevaringskrog
16	Transportplacering



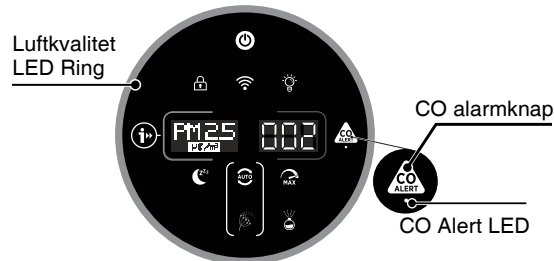
14	Luftkvalitet LED Ring
15	Tænd/sluk-knap
16	Børnelåsknap
17	Digitalt display
18	Informationsknap
19	Knap til sovetilstand
20	Knap til autotilstand
21	Cirkellampe til pollenallergi
22	Lampe til pollenallergi
23	Diffusorknap
24	Knap til maks. tilstand
25	CO Alert knap og LED
26	Knap til lyskontrol
27	Wi-Fi knap

## 1.1 MULTISENSORSYSTEM

Takket være multisensrorsystemet vil dit produkt kontinuerligt overvåge lufttilstanden indendørs når det kommer til PM10, PM2,5 og Flygtige organiske forbindelser (GAS).

Hver gang du tænker for dit produkt, vil multisensrorsystemet begynde at analysere luftkvaliteten indendørs, og Air Quality LED Ring vil lyse med forskellige farver, som repræsenterer luftkvaliteten i realtid.

Air Quality LED Ring Farve	Indendørs luftkvalitet	PM 10 værdi* $\mu\text{g}/\text{m}^3$	PM 2,5 værdi $\mu\text{g}/\text{m}^3$	GAS VOC niveau
GRØN	Fremragende	0-50	0-25	L1
GUL	Tilfredsstillende	50-80	25-50	L2
ORANGE	Dårlig	80-160	50-100	L3
RØD	Meget dårlig	$\geq 160$	$\geq 100$	L4



\* I pollenallergi tilstand vil PM 10 værdien som udløser luftkvalitetsniveauet være lavere, for at minimere risikoen for allergikere.

## 1.2 KULILTE (CO) ALARM

H-Purifier er udstyret med et alarmsystem der konstant overvåger luften indendørs for kulilte (CO).

Når kuliltealarmen er aktiveret, vil AIR Kvalitet LED Ring, Information og CO Alert knappen blinke rødt på samme tid, og en lydhør alarm kan høres. Alarmen vil fortsætte indtil kuliltekoncentrationen (CO) er reduceret til under 50 ppm, medmindre den manuelt slukkes ved at trykke på CO Alert knappen i 3 sekunder.

CO Alert LED viser driftstilstanden for CO sensoren. Den lyser grønt når CO sensoren fungerer normalt, lyser gult når sensoren er defekt, eller overskrider dens levetid, og rød når en CO alarm er aktiveret.

Du kan teste om alarmen fungerer korrekt, ved at trykke på CO alarmknappen i 3 sekunder, en høj tone vil lyde i 5 sekunder, hvis alarmen fungerer korrekt.

## 2. FORBEREDNING AF DIN H-PURIFIER

### 2.1 MONTER FILTERET [Fig. 1]

Før du anvender dit H-Purifier udstyr, skal du fjerne filteret fra dets beskyttende emballage:

- Fjern luftindtagets dæksel fra udstyret, grib fat i de to luftindtags dækselhåndtag, og træk det væk fra udstyret. [Fig. 1a]
- Fjern stikket fra transportlokationen, og løs ledningen fra opbevaringskrogen. [Fig. 1b]
- Løs filterets frigivelseskontakt. [Fig. 1c]
- Fjern filteret fra dit udstyr, og fjern den udvendige emballage. [Fig. 1d,e]
- Genmonter filteret i dit udstyr. [Fig. 1f]
- Lås filterets frigivelseskontakt. [Fig. 1g]
- Genmonter luftindtagets dæksel på udstyret. [Fig. 1h]

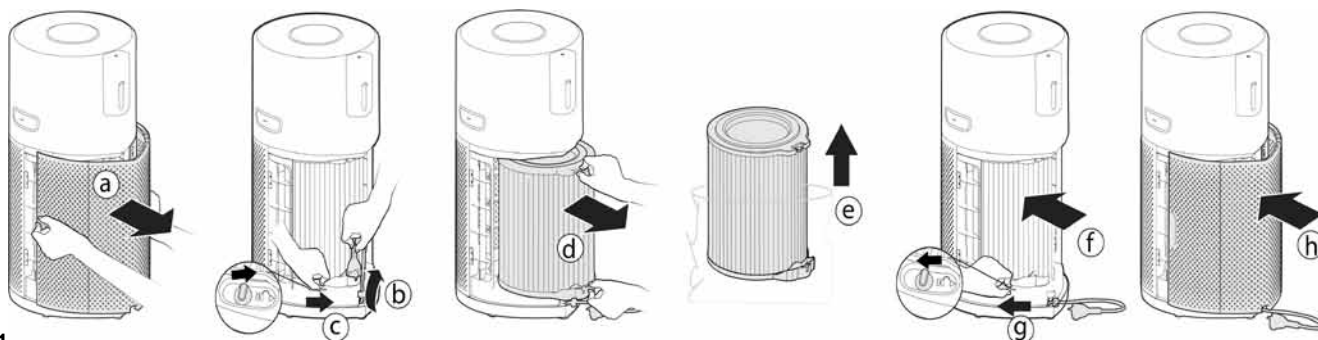


Fig. 1

### 2.2 MONTER DIFFUSORFLASKEN [Fig. 2]

Forbered dit H-Purifier udstyr til diffusorfunktionen:

- Fjern diffusordækslet fra udstyret. [Fig. 2a]
- Fjern diffusorenheden fra diffusordækslet. [Fig. 2b]
- Fjern flasken med H-Essence eller H-Biotics fra emballagen, og fjern hættten. [Fig. 2c]
- Gem hættten til senere opbevaring.
- Fastskru flasken på diffusorenheden. [Fig. 2d]
- Genmonter diffusorenheden på diffusordækslet. [Fig. 2e]
- Genmonter diffusordækslet på udstyret. [Fig. 2f]

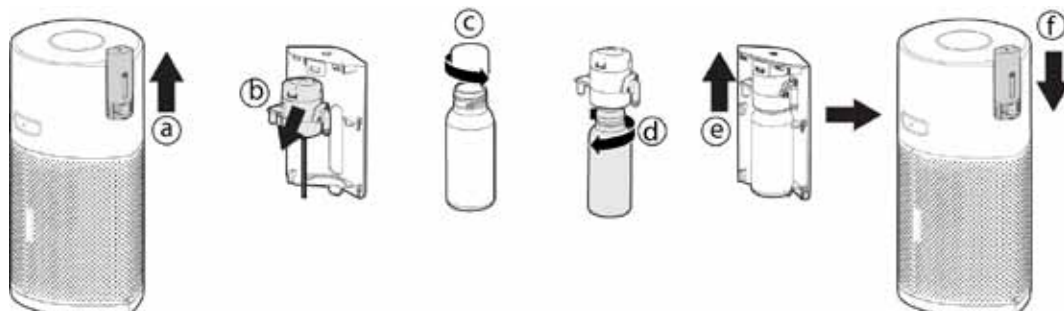


Fig. 2

### 3. BRUG AF DIN H-PURIFIER

#### 3.1 TÆND FOR PRODUKTET [Fig. 4]:

Træk strømledningen ud fra strømrullen, og tilslut det til strømforsyningen.

Alt lys på kontrolpanelet/displayet vil lyse i omkring et sekund, for at indikere at apparatet er tilsluttet. STRØM knappen vil lyse dæmpet, og CO Alert LED vil være ON for at indikere at den dedikerede sensor er begyndt at overvåge det indendørs kulliteniveau.

For at tænde for udstyret, skal du trykke på STRØM knappen på displayet.

Air Quality LED Ring vil lyse i alle dets farver i sekvens, mens sensorerne analyserer lufttilstanden i realtid. Efter nogle få sekunder vil Air Quality LED Ring vælge den passende farve for luftkvaliteten, på det nuværende tidspunkt.

Din H-Purifier vil omgående gå i AUTOTILSTAND, og begynde at rense luften indendørs.

AUTOTILSTAND knappen, INFORMATION knappen, LYSKONTROL knappen og PM10 informationerne på displayet vil lyse.



Fig. 4

#### 3.2 FORBIND DIN H-PURIFIER:

For at kunne bruge alle funktionerne på din H-Purifier, uanset hvor du er, anbefales det, at du downloader hOn appen.

Du vil dermed kunne kontrollere udstyret på den mest effektive måde.

##### Instruktioner:

1. Download hOn appen fra App Store, Google Play eller Huawei AppGallery. Du kan også downloade den ved at scanne QR-koden i [Fig. 5]
2. Åbn APP'en, opret en konto med din e-mailadresse og en adgangskode.
3. Bekæft og log ind til hOn appen.
4. Sørg for, at din mobile enhed er forbundet til WiFi-netværket.
5. Sørg for at din H-Purifier er tændt. Tryk og hold WiFi knappen på displayet i 5 sekunder, der vil være et lydligt bip, og WiFi knappen vil begynde at blinke, for at indikere, at den venter på forbindelse. [Fig. 6]
6. Følg instruktionerne i appen for at forbinde din mobile enhed til dit udstyr.
7. Når de er parret, vil WiFi knappen på udstyret forblive oplyst.
8. For at nulstille WiFi, skal du trykke og holde WiFi knappen i 5 sek.

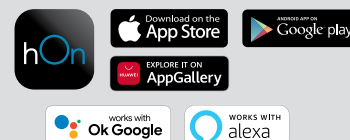


Fig. 5

H-Purifier fungerer også med Hey Google og Amazon Alexa.

#### 3.3 OPDAG ALLE FUNKTIONERNE

##### INFORMATION funktion [Fig. 7]:

Der er 6 forskellige tilgængelige datasæt som kan overvåges: PM10, PM2,5, GAS, temperatur, fugtighed og filterstatus.

For at overvåge hver værdi, skal du fortløbende trykke på INFORMATION knappen.

Som standard vil displayet vise PM10 data, udstyret vil huske brugerens sidste valg, og bevare dette valg, indtil udstyret tændes næste gang.

GAS data vil vise en drejende markør under de første 3 minutter efter produktet er tændt, mens GAS sensoren udfører en kalibreringscyklus.

##### Mere info om PM 2,5, PM 10 og GAS:

PM indikerer fine partikler (som ikke kan ses med det menneskelige øje), som hovedsageligt skyldes udendørs forurening fra køretøjer og industrielle udledninger, og som muligvis kan være farligt for vores helbred, hvis vi udsættes for det i længere perioder.

PM 10 har en størrelse på op til 10 µm, og er i stand til at gennemtrænge de øverste luftveje (næse, luftrør, svælg). PM 2,5 har en størrelse på op til 2,5 µm, og under hensyntagen til deres lille størrelse, kan de nå vores lunger, og dermed trænge dybere ind i vores krop.

GAS VOC (flygtige organiske sammenblandinger) er flygtige kemiske sammenblandinger med muligheden for nemt at fordampe i luften ved rumtemperatur. Deodoranter, opløsningsmidler, lim, klæbemidler, kosmetik, formaldehyd er blot nogle af de VOC'er som kan være til stede i vores hjem, men som kan være farlige for vores helbred, hvis vi udsættes for dem i længere perioder.

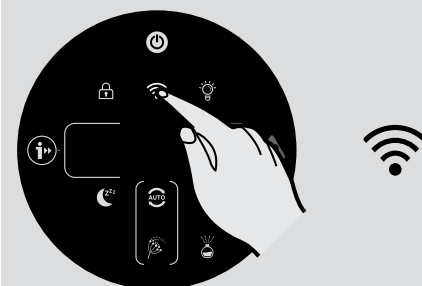


Fig. 6

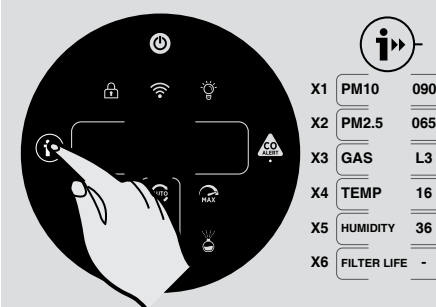


Fig. 7

##### TILSTAND funktioner:

Der er 3 tilgængelige tilstande til luftrensning: AUTOTILSTAND, MAKS. TILSTAND OG

DVALETILSTAND. Autotilstand er standardindstillingen for dit udstyr når den tændes. Alle tilstande kan vælges manuelt ved at trykke på den relaterede knap på displayet.

POLLENALLERGI tilstand kan også aktiveres via hOn appen.

##### AUTOTILSTAND [Fig. 8]:

Dette er standardtilstand for dit H-Purifier udstyr, når det først tændes. I Auto-tilstand vil H-Purifier automatisk justere dens ventilatorhastighed til det faktiske luftkvalitetsniveau indendørs, for altid at garantere en optimal luftrensning.

Dette er den anbefalede indstilling for dit produkt.

I AUTOTILSTAND, og efter 30 minutter med fremragende luftkvalitet, vil udstyret gå i ECOTILSTAND (standby funktion), ved at sætte rensefunktionen på pause (ventilator), multisensorsystemet vil fortsætte med at analysere den indendørs luftkvalitet, og automatisk tænde for rensningsfunktionen, når det er påkrævet.



Fig. 8

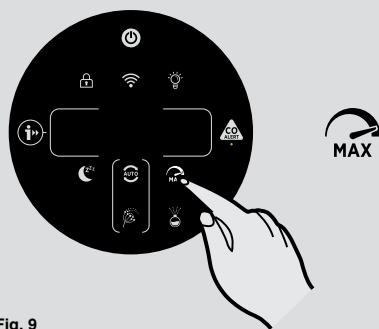


Fig. 9

**MAKS. TILSTAND [Fig. 9]:**

Tryk på MAKS. TILSTAND knappen på displayet for at aktivere luftrensning med maksimal strømindsstilling. For at forlade MAKS. TILSTANDEN, skal du blot vælge AUTOTILSTAND eller DVALETILSTAND.

**DVALETILSTAND [Fig. 10]:**

Tryk på DVALETILSTAND knappen for at aktivere luftrensning med den laveste, lydløse strømindsstilling. DVALETILSTAND knappen vil lyse dæmpet, og alle andre lamper på displayet vil være slukket. Dette kan ændres ved at trykke på LYSKONTROL knappen.

**POLLENALLERGI TILSTAND: [Fig. 11]**

Pollenallergi tilstand kan kun aktiveres via hOn appen. Du skal først aktivere og oprette en profil i appen, for at kunne oprette din pollenallergi profil.

Pollenallergi tilstanden fungerer kun når AUTOTILSTAND er valgt. [Fig. 11c]

I pollenallergi tilstand vil udstyret kontinuerligt modtage realtidsdata fra appen om den overvågede, udendørs pollenkoncentration, og det arbejder derefter automatisk til at maksimere indfangningen af pollen.

Når pollen er indfanget, vil de blive deaktiveret for at hjælpe med at afbedre allergiske symptomer.

Når pollenallergi tilstanden er aktiveret i appen, er der 2 mulige notifikationslamper på udstyrets display:

- Pollenallergilampen er HVID [Fig. 11a]: Udstyret og appen overvåger tilstedeværelsen af pollen udendørs, og der er ingen risiko.

- Pollenallergilampen skifter til GUL, og pollenallergicirkellampen er HVID [Fig. 11b]: Udstyret og appen har registreret en risiko.

Hvis udstyret manuelt aktiveres i DVALETILSTAND eller MAKS. TILSTAND, mens pollenallergi tilstanden er aktiveret, vil pollenallergi tilstanden blive stoppet.

**LYSKONTROL funktion: [Fig. 12]**

Der er 3 tilgængelige indstillinger for lyset på displayet: On, Dæmpet og Off

For at justere lysstyrken for lyset på displayet, skal du trykke på LYSKONTROL knappen på displayet, for at køre gennem de 3 tilgængelige muligheder. ON er standardindstillingen.

Hvis OFF vælges, skal der trykkes to gange på enhver anden knap for at aktivere den, efter et tryk vil lysende blive DÆMPET, og med det andet tryk, vil handlingen blive aktiveret.

**BØRNELÅS funktion: [Fig. 13]**

Tryk og hold BØRNELÅS knappen i 3 sekunder for at aktivere den, en lydør alarm vil lyde når den er aktiveret, og BØRNELÅS knappen vil forblive oplyst. Ingen andre knapper vil fungere når denne er aktiveret.

For at forlade funktionen, skal du blot trykke og holde BØRNELÅS knappen nede i 3 sekunder, en lydør alarm vil lyde for at bekræfte at den er deaktiveret, og knappen vil ikke længere lyse.

**DIFFUSORFUNKTION: [Fig. 14]**

Diffusoren vil sprede H-Essence eller H-Biotics ud i rummet. H-Essence er Hoovers kollektion af essentielle olier som udsendes i luften, med behagelige dufte.

H-Biotics er en naturlig blanding baseret på probiotika, der holder rummet biohygiejnisk, ved at hæmme væksten af mikroorganismer, såsom bakterier eller mikrober.

Der er 4 forskellige indstillinger for DIFFUSORFUNKTIONEN: SOFT, MELLEEM, TILPASSET og H-BIOTICS. For at aktivere denne funktion, skal du blot trykke på diffusorknappen på displayet.

Standardindstillingen for denne funktion er SOFT, for at vælge en af de andre indstillinger, skal du fortløbende trykke på knappen, for at skifte til det ønskede valg. Knappen vil lyse hvidt når den er tændt.

Det anbefales, at bruge SOFT og MELLEEM indstillingerne for H-Essence.

TILPASSET indstilling kan kun oprettes på hOn appen.

Når du bruger H-Biotics, SKAL indstillingen være H-Biotics. Når brugeren har aktiveret H-Biotics med appen, vil den give en notifikation af "AKTIV H-BIOTICS" efter 120 timer, for at sikre, H-Biotics bruges hver 5 dag.

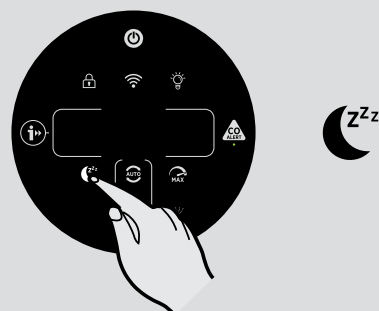


Fig. 10

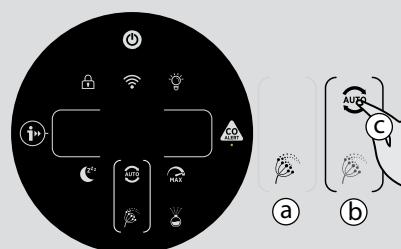


Fig. 11

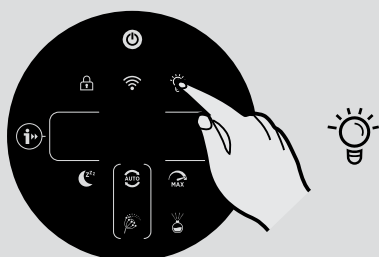


Fig. 12



Fig. 13

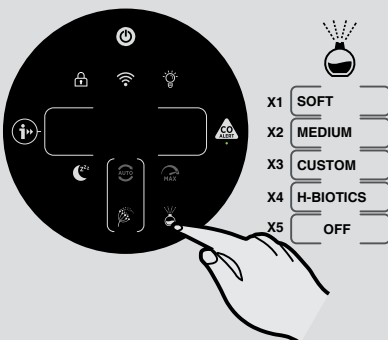


Fig. 14



Når H-Essence anvendes i forskellige indstillinger eller rummiljø, kan GAS VOC niveauet ændre sig, pga. registrerende af dufte. Diffusorfunktionen fungerer kun når Air Quality LED Ring lyser grøn, den vil være på pause når LED Ring ikke er grøn, og derefter fortsætte med at fungere, når den igen er grøn.

Diffusorfunktionen kan kun bruges i AUTO og MAKS. tilstande, og kan ikke bruges i DVALETILSTAND.

Når diffusorfunktionen aktiveres i AUTO-tilstand, vil hovedventilatoren fungere med en specifik hastighed, for at hjælpe med at sprede H-Essence eller H-Biotics i rummet.

Indstilling	Tidsangivelse af diffuser	Maks. cyklusvarighed
SOFT	i 10 sek. for hver 5 min.	6 timer
MELLEMLANG	i 90 sek. for hver 3,5 min.	6 timer
TILPASSET	Brugerdefineret	6 timer
H-BIOTICS	i 2 min. for hver 4 min.	6 timer

## 4. VEDLIGEHOLD DIN H-PURIFIER

### 4.1 FILTERVEDLIGEHOLDELSE

Din H-Purifier vil overvåge tilstanden af dit filter. En **RENT FILTER ELLER UDSKIFTNINGSFILTER** alarm vil komme frem på venstre side af displayet og blinke, hvilket indikerer, at det er nødvendigt at rense eller udskifte filteret.

#### Rengøring / Udskift filteret: [Fig. 15]

- Fjern luftindtagets dæksel fra udstyret. [Fig. 15a]
- Løsn filterets frigivelseskontakt. [Fig. 15b]
- Fjern filteret fra dit produkt. [Fig. 15c]
- Brug en støvsuger til at rense det eksterne lag på filteret, eller udskift med et NYT filter. [Fig. 15d]
- Genmonter filteret i dit udstyr. [Fig. 15e]
- Lås filterets frigivelseskontakt. [Fig. 15f]
- Genmonter luftindtagets dæksel på udstyret. [Fig. 15g]
- Tilslut udstyret til strømforsyningen, og tænd det.
- Tryk på INFORMATION knappen for at nulstille alarmen Rengøring/Udskift, ved at holde knappen i 3 sekunder, en lydhør alarm vil lyde, for at indikere en vellykket nulstilling. [Fig. 7]

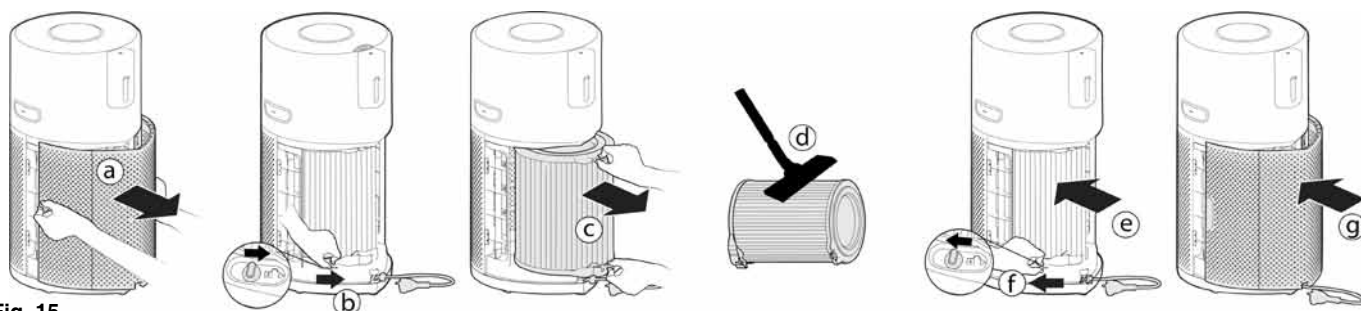


Fig. 15

### 4.2 DIFFUSOR VEDLIGEHOLDELSE

Efter hver brug af diffusorfunktionen, skal du bruge en tør, blød klud til at fjerne eventuelle rester fra udstyrets overflader.

#### Udskiftning af diffusorflaske: [Fig. 16]

Væskevolumen som er tilbage i flasken kan kontrolleres gennem diffusorvinduet, og når det er nødvendigt, skal flasken udskiftes.

- Fjern diffusordækslet fra udstyret. [Fig. 16a]
- Fjern diffusorenheden og flasken fra diffusordækslet. [Fig. 16b]
- Løsn og fjern den tomme flaske. [Fig. 16c]
- Fjern den nye flaske med H-Essence eller H-Biotics fra emballagen, og fjern hæften. [Fig. 16d]
- Fastskrue den nye flaske på diffusorenheden. [Fig. 16e]
- Genmonter diffusorenheden på diffusordækslet. [Fig. 16f]
- Genmonter diffusordækslet på din H-Purifier. [Fig. 16g]

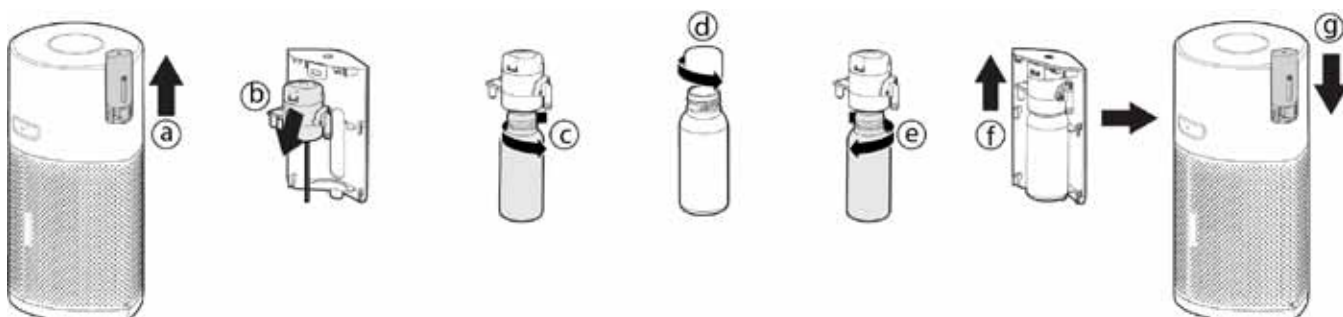


Fig. 16

## 5. OPBEVARING AF DIN H-PURIFIER

1. Sluk for H-Purifier og fjern stikket fra stikkontakten.
2. Rengør alle interne og eksterne overflader på H-Purifier, samt det eksterne lag på filteret.
3. Fjern flasken fra diffusoren. Genmonter den oprindelige hætte på flasken, og opbevar den et sted uden direkte lys. Rengør overfladerne på diffusorenheden og diffusordækslet. Sørg for, at der ikke er nogen H-Essence eller H-Biotics rester på overfladerne på H-Purifier.
4. Sørg for, at alle komponenter er tørre.
5. Fjern dækslet til luftindgangen [Fig. 17a], spol strømledningen ind ved at trække i ledningen [Fig. 17b], placer ledningen i opbevaringskrogen, og tilslut stikket i transportplaceringen. [Fig. 17c,d] Genmonter luftindtagets dæksel. [Fig. 17e]
6. Opbevar H-Purifier et køligt, tørt sted.

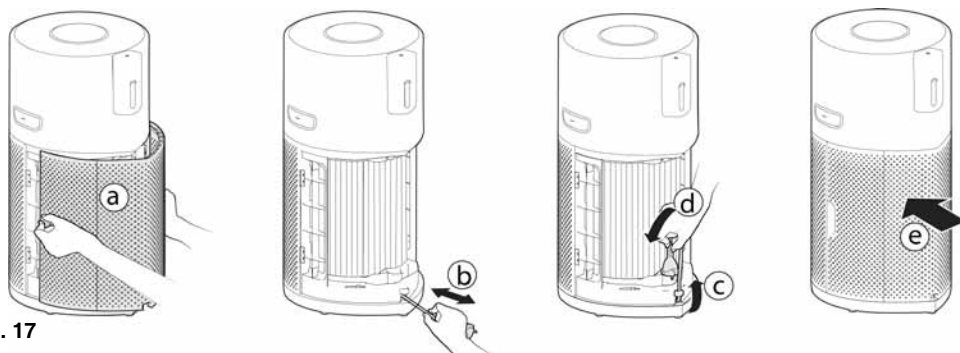


Fig. 17

## 6. ALARMER og LØSNINGER

De følgende koder kan komme frem under brug. [Fig. 18]

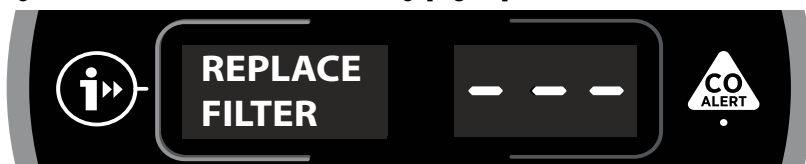


Fig. 18

Alarm		Alarmbeskrivelse	Løsning
Alarm på produkt	Alarm på appen		
“RENGØR FILTER”	Alarm for præfilterrensning	Anbefaling om at rengøre det eksterne lag på filteret.	1. Rengør det eksterne lag på filteret. 2. Nulstil alarmer ved at holde INFORMATION knappen i 3 sek. <b>Se 4.1 FILTERVEDLIGEHOLDELSE</b>
“UDSKIFT FILTER”	Alarm for filterudskiftning	Anbefaling til at udskifte filteret.	1. Udskift filteret. 2. Nulstil alarmer ved at holde INFORMATION knappen i 3 sek. <b>Se 4.1 FILTERVEDLIGEHOLDELSE</b>
“FILTER MANGLER”	Fejl: der opstod en fejl med luftrenseren, kontrollere venligst mulige løsninger	Filter er ikke i korrekt position, eller er ikke låst korrekt	1. Hvis filteret ikke er til stede, skal det monteres. 2. Hvis filteret er i dets position, skal det kontrolleres, om Filterfrigørelseskontakten er blevet ændret til LÅS status. <b>Se 2.1 MONTER FILTERET</b>
“PM SENSORFEJL”	/	PM Sensor defekt	PM sensorfejl eller sensorledning er ikke forbundet korrekt, kontakt venligst kundeservice så det kan blive udbedret.
CO Alert LED er gul	Fejl: der opstod en fejl med luftrenseren, kontrollere venligst mulige løsninger	CO Sensor defekt eller CO sensor har overskredet dens holdbarhed.	Kontakt kundeservice for at få det udbedret.
/	Fejl: der opstod en fejl med luftrenseren, kontrollere venligst mulige løsninger	Motorfejl	Motorfejl eller motorledningen er ikke forbundet korrekt, kontakt venligst kundeservice så det kan blive udbedret.
“TEMP. & HUMI. SENSORFEJL”	/	Temperatur- og fugtsensor er defekt	Temperatur- og fugtsensorfejl eller sensorledning er ikke forbundet korrekt, kontakt venligst kundeservice så det kan blive udbedret.
“PAUSE”	/	Diffusoren vil gå på pause når Air Quality LED Ring ikke er grøn.	Ingen handling påkrævet. Diffusoren vil begynde at fungere igen når Air Quality LED Ring er grøn.

**PAS PÅ:** Hvis disse problemer fortsætter, kontakt da din lokale Hoover repræsentant. DU MÅ IKKE prøve at demontere din H-Purifier på egen hånd.

## 7. FEJLFINDING

I det følgende vises en liste over de mest almindelige problemer og løsninger. Hvis et af disse problemer opstår igen, skal du kontakte den lokale Hoover-repræsentant.

Ventilatoren fungerer ikke (Kontrolpanel / Displayets lys er tændt)	<ul style="list-style-type: none"> <li>• Kontroller den alarm der vises på displayet eller i appen. Hvis der er, se <b>6. ALARMER OG LØSNINGER</b>.</li> <li>• Kontroller om der er forhindringer i ventilatoren. Hvis der er, skal produktet først afbrydes fra strømmen, derefter ryddes de, eller kontakt kundeservice for at rydde dem.</li> <li>• Kontroller om H-Purifier er tændt.</li> <li>• Kontroller at filteret er monteret korrekt og i låst position.</li> <li>• Kontroller om H-Purifier er i en fuld oprejst, vertikal position, og ikke vipper.</li> <li>• H-Purifier kan være i ØKOTILSTAND. Du kan trykke på Dvaletilstandsknappen eller Maks. Tilstand knappen for at forlade ØKOTILSTAND. Se <b>3. BRUG DIN H-PURIFIER – AUTOTILSTAND</b>.</li> </ul>
Ventilatoren fungerer ikke (Kontrolpanel / Displayets lys er slukket)	<ul style="list-style-type: none"> <li>• Kontroller om H-Purifier er tilsluttet strømforsyningen, og tændt.</li> <li>• Kontroller den alarm der vises i appen. Hvis der er, se <b>6. ALARMER OG LØSNINGER</b>.</li> </ul>
Intet lys på kontrolpanelet / Display (Ventilator fungerer)	<ul style="list-style-type: none"> <li>• I dvaletilstand er indstillingen for standardlys slukket. Du kan trykke på lyskontrolknappen for at tænde for lyset.</li> <li>• Lyset kan være slukket. Tryk på lyskontrolknappen for at tænde for lyset. Se <b>3. BRUG DIN H-PURIFIER – DVALETILSTAND / LYSKONTROL funktion</b>.</li> </ul>
Knapperne på kontrolpanelet fungerer ikke	<ul style="list-style-type: none"> <li>• Børnelås kan være aktiveret. Du kan trykke og holde BØRNELÅS knappen i 3 sekunder, for at forlade det. Se <b>3. BRUG DIN H-PURIFIER – BØRNELÅS funktion</b>.</li> </ul>
Luftgennemstrømning er svag	<ul style="list-style-type: none"> <li>• Kontroller om den beskyttende emballage på filteret er fjernet.</li> <li>• Kontroller om der er forhindringer i luftindtagets dæksel eller luftudtaget.</li> <li>• Fjern luftindtagets dæksel og kontroller filterets tilstand. Rengør det eksterne lag på filteret, eller udskift filteret hvis nødvendigt. Du kan kontrollere filterets holdbarhed på displayet ved at trykke på informationsknappen.</li> <li>• Kontroller om H-Purifier er i dvaletilstand. Ventilatoren fungerer med reduceret effekt i denne tilstand.</li> </ul>
H-Purifier fungerer højlydt	<ul style="list-style-type: none"> <li>• Kontroller om der er forhindringer i H-Purifier.</li> <li>• Kontroller om H-Purifier er i Maks. tilstand. Ventilatoren fungerer med maksimal effekt i denne tilstand.</li> </ul>
H-Purifier fungerer pludselig højlydt	<ul style="list-style-type: none"> <li>• Kontroller om H-Purifier kører i auto-tilstand og at Air Quality LED Ring ikke er grøn. I Auto-tilstand vil H-Purifier automatisk justere dens ventilatorhastighed til det faktiske luftkvalitetsniveau indendørs. Se <b>3. BRUG DIN H-PURIFIER – AUTOTILSTAND</b>.</li> </ul>
H-Purifier udsender pludselig en høj tone	<ul style="list-style-type: none"> <li>• Testfunktionen af CO alarmknappen er aktiveret ved en fejl. Lyden vil automatisk stoppe efter 5 sekunder. Se <b>1.2 KULILTE (CO) ALARM</b></li> </ul>

## VIGTIGE OPLYSNINGER

### HOOVER RESERVEDELE OG FORBRUGSSTOFFER

Udskift altid dele med ægte Hoover reservedele. Disse fås fra Hoovers reservedelsforhandler, check [www.hoover.dk](http://www.hoover.dk) Når du bestiller dele, skal du altid opgive modelnummer.

### Kvalitet

Hoovers fabrikker er blevet vurderet uafhængigt for kvalitet. Vores produkter fremstilles med brug af et kvalitetssystem, der opfylder kravene i henhold til ISO 9001.

### DIN GARANTI

Garantibetingelserne for dette apparat er som defineret af vores repræsentant i det land, hvor det er solgt. Oplysninger vedrørende disse betingelser kan indhentes hos den forhandler, apparatet er købt hos. Kvitteringen skal fremvises i forbindelse med ethvert krav under disse garantibetingelser.

Ret til ændringer uden varsel forbeholdes

## GENERELLE SIKKERHETSADVARSLER

Dette apparatet skal bare brukes til privat husarbeid i tråd med brukerveiledningen. Påse at du er fullstendig inneforstått med denne veiledningen før du bruker apparatet, og behold den for fremtidig bruk.

Sjekk om strømmen og klassifiseringene på apparatets merke samsvarer med den lokale strømspenningen før du kobler til apparatet.

Bruken av apparatet må opphøre umiddelbart dersom strømledningen er skadet. For å unngå sikkerhetsfarer, la en autorisert HOOVER-tekniker skifte ut strømledningen.

Ikke fjern støpselet ved å dra i strømledningen.

Legg strømledningen slik at ingen kommer til å trekke på eller snuble i den.

Slå alltid av og koble laderen fra støpselet før enheten flyttes, rengjøres eller vedlikeholdes.

Apparatet kan brukes av barn fra 8 år, og av personer med nedsatte fysiske, sanselige eller mentale evner, eller manglende erfaring og kunnskap, dersom de er under oppsyn eller har fått opplæring i sikker bruk av apparatet og forstår farene bruk av apparatet kan medføre. Barn skal ikke leke med apparatet.

Rengjøring og vedlikehold skal ikke utføres av barn uten oppsyn.

Apparatet fjerner ikke karbonmonoksid (CO) eller radon (Rn). Den kan ikke brukes som en sikkerhetsenhet ved uhell med forbrenningsprosesser og farlige kjemikalier.

All bruk av apparatet må opphøre hvis det viser tegn på feilfunksjon.

Ikke blokker luftinntaket eller -uttaket.

Ikke sett inn fingre eller objekter i luftuttaket eller luftinntaket, da dette kan føre til personskade eller ødelegge apparatet.

Ikke rengjør apparatet med vann, annen væske eller et (brennbart) vaskemiddel, og ikke la dette komme inn i apparatet, for å unngå elektrisk støt og/eller brannfare.

Ikke spray brannfarlige materialer som insektsmidler eller parfyme rundt apparatet.

Dette apparatet er ikke en erstatning for skikkelig ventilering, regelmessig støvsuging eller bruk av avtrekksvifte/vifte ved matlaging.

Bruk bare forbruksvarer, filtre eller reservedeler som er anbefalt eller levert av HOOVER.

Forsikre deg om at filteret er riktig installert før du slår på apparatet.

Unngå å dulte borti apparatet (gjelder spesielt luftinntaket og -uttaket) med harde objekter.

Hold produktet tørt.

Produktet må aldri vippes eller tømmes mens det er i bruk.

Når apparatet står lenge ubrukt, kan det vokse bakterier på filterene. Kontroller filterene dersom apparatet står lenge ubrukt. Hvis filterene er veldig skitne må du bytte dem ut.

For å sikre fortsatt sikker og effektiv drift av dette apparatet, anbefaler vi at service eller reparasjoner bare utføres av en autorisert HOOVER-servicetekniker.

## BRUKSMILJØ

Produktet skal kun plasseres og brukes på en tørr, stabil og horisontal overflate, for å unngå at den velter.

La det være minst 20 cm ledig plass bak og på begge sider av apparatet, og la det være minst 30 cm ledig plass over apparatet.

Du kan forhindre interferens ved å plassere apparatet minst 2 meter unna elektriske apparater som bruker luftbårne radiobølger, som TV-er, radioer og radiokontrollerte klokker.

Ikke plasser noe oppå apparatet.

Ikke bruk dette apparatet når du har brukt insektsmiddel i røykform innendørs, eller på steder der det er fettrester, brennende røkelse eller kjemisk røyk.

Ikke plasser apparatet på et av følgende steder:

- På varme overflater, nær varme overflater, åpen ild eller i direkte sollys, i nærheten av gassapparater, varmeutstyr eller peiser;

- Ved siden av eller rett over ovner eller luftkondisjoneringsåpninger, dører, vinduer, avtrekksvifter, komfyrer eller hvor som helst det vil bli påvirket av trekk;
- På et bad eller andre områder der produktet kan utsettes for vannsprut, drypp eller kondens (f.eks. rett under et klimaanlegg eller over en vannkoker);
- På et lukket område (f.eks. inni eller under et skap);
- På et område der temperaturen kan falle under  $-20^{\circ}\text{C}$  eller overstige  $50^{\circ}\text{C}$ ;
- I et rom med store temperaturendringer, i våte omgivelser eller i omgivelser med høye omgivelsestemperaturer eller høy luftfuktighet, slik som bad, toalett eller kjøkken;
- Der den kan bli obstruert, f.eks. av gardiner eller møbler;
- Der skitt eller støv kan blokkere sensoren.

## SIKKERHETSINSTRUKSJONER FOR CO-MONITOR

Hvis CO-alarmen aktiveres, må du åpne alle vinduer og dører (hvis det er trygt). Slå av alle brenselapparater hvis mulig, og evakuer eiendommen med åpne vinduer og dører. Skaff medisinsk hjelp umiddelbart for personer som rammes av karbonmonoksidforgiftning. Ikke gå tilbake til eiendommen før alarmen stopper. Alarmen stopper så snart CO-en er borte. Ikke bruk brenselapparater igjen før CO-kilden er lokalisert og rettet opp av en kvalifisert tekniker. Unngå å bruke maling, fortynningsmidler, løsemiddeldamp, luftrensere, aerosolsprayer eller kjemiske rengjøringsmidler i nærheten av apparatet. Dette kan påvirke funksjonen av CO Monitor.

CO Monitor aktiveres ved å sette støpselet i en stikkontakt. CO-sensorens LED-lampe lyser grønt. Når CO-monitoren oppdager utrygge CO-nivåer, begynner CO-alarmen å ringe høyt og CO Alert-knappen og O-ringlampen å blinke rødt. Alarmen fortsetter signaliseringen inntil det registrerte CO-nivået reduseres til et trygt nivå.

Hold inne [CO Alert] knappen i 3 sekunder for å teste CO-alarmfunksjonen, og alarmen begynner å ringe høyt i 5 sekunder. Test alarmen månedlig og etter langvarige bortreiser fra bygningen (f.eks. ferier). Hvis alarmen ikke ringer etter du har holdt inne [CO Alert] knappen i 3 sekunder kan du kontakte Hoovers kundesenter for å få en kvalifisert tekniker til å reparere feilen.

Hvis displayet viser at det er feil på CO-sensoren eller at den har nådd slutten av sitt livsløp, kan du kontakte Hoovers kundesenter for å få en kvalifisert tekniker til å skifte ut CO-sensoren. Den forventede levetiden av CO-sensoren er 7 år og må skiftes ut etter denne tiden.

Ikke la små barn holde inne CO Alert-knappen i 3 sekunder da dette fører til høy støy når alarmen ringer.

Bruksfuktighet: 15 – 90% RH

Brukstemperatur:  $0^{\circ}\text{C}$  til  $+40^{\circ}\text{C}$

Karbonmonoksid påvirker kroppen ved å stoppe (kvele) kritiske oksygenorganer. Når CO inhaleres binder det seg til hemoglobin i blodet som normalt bærer oksygen rundt i kroppen. CO forhindrer evnen oksygenmolekylene har til å binde seg til hemoglobin, hvilket reduserer oksygentilførelsen til vitale organer. Konsentrasjonsnivået og tiden en er utsatt for CO kan ha varierende effekt på kroppen, men eksperter er enige om at selv lav eksponering av karbonmonoksid over lengre perioder kan ha alvorlige og langvarige effekter på folks allmennhelse.

**ADVARSEL:** CO ALARM ER UTFORMET FOR Å BESKYTTE PERSONER FRA DE AKUTTE EFFEKTENE AV KARBONMONOKSID-EKSPONERING, ELLER FORHINDRE KRONISKE EFFEKTER AV KARBONMONOKSID-EKSPONERING. DEN VIL IKKE VÆRE FULLSTENDIG BESKYTTENDE FOR PERSONER MED SPESIFIKKE HELSEPROBLEMER. HVIS DU ER I TVIL BØR DU KONTAKTE EN LEGE.

CO Monitor-funksjonen skal ikke brukes til, og er heller ikke tiltenkt som en erstatning for EN 50291-1, UL-2034, CSA-6.19 eller en annen godkjent og sertifisert karbonmonoksidalarm der det er påkrevd av lokale eller regionale regler eller lover. CO Monitor-funksjonen er bare en tilleggsenhet for overvåkning av karbonmonoksid. Denne enheten brukes på eget ansvar, og det forutsettes at en kjenner til og aksepterer enhetens samsvarsbegrensninger til gjeldende regler og lover.

Dette apparatet skal ikke brukes som en erstatning for skikkelig montering, bruk og vedlikehold av brenselapparater, inkludert skikkelig ventilasjon og luftesystemer.

Mobil- og nettbrettvarslinger for CO Monitor krever en funksjonell Wi-Fi-tilkobling. De er ikke en erstatning for en tredjeparts nødovervåkningstjeneste.

## SIKKERHETSINSTRUKSJONER FOR SPREDER

Bare bruk aromaolje som er anbefalt eller levert av HOOVER.

Unngå bruk av frittstående luftfukter ved siden av luftrensere når diffuserfunksjonen til H-Essence er i bruk.

Tørk opp eventuelt søl av H-Essence med en gang. Sørg for å rengjøre hvert hjørne av produktet som hadde kontakt med H-Essence.

### Miljøet

Dette apparatet er merket i henhold til EU-direktiv 2012/19/EU om elektrisk avfall og elektronisk utstyr (WEEE). Ved å sørge for at dette produktet avhendes på riktig måte, bidrar du til å forhindre eventuelle negative konsekvenser for miljø og menneskelig helse, som ellers kunne ha blitt forårsaket av uriktig avfallshåndtering av dette produktet.

Symbolet på dette apparatet indikerer at det ikke kan betraktes som husholdningsavfall. Ved avhending må apparatet overleveres til en egnet miljøstasjon for resirkulering av elektrisk og elektronisk utstyr. Avhendingen må gjennomføres i samsvar med lokale miljøforskrifter for avfallshåndtering. Du kan få mer detaljert informasjon om avfallsbehandling, gjenvinning og resirkulering av dette apparatet ved å ta kontakt med vårt nærmeste lokalkontor, renovasjonsetaten eller forretningen du kjøpte apparatet hos.



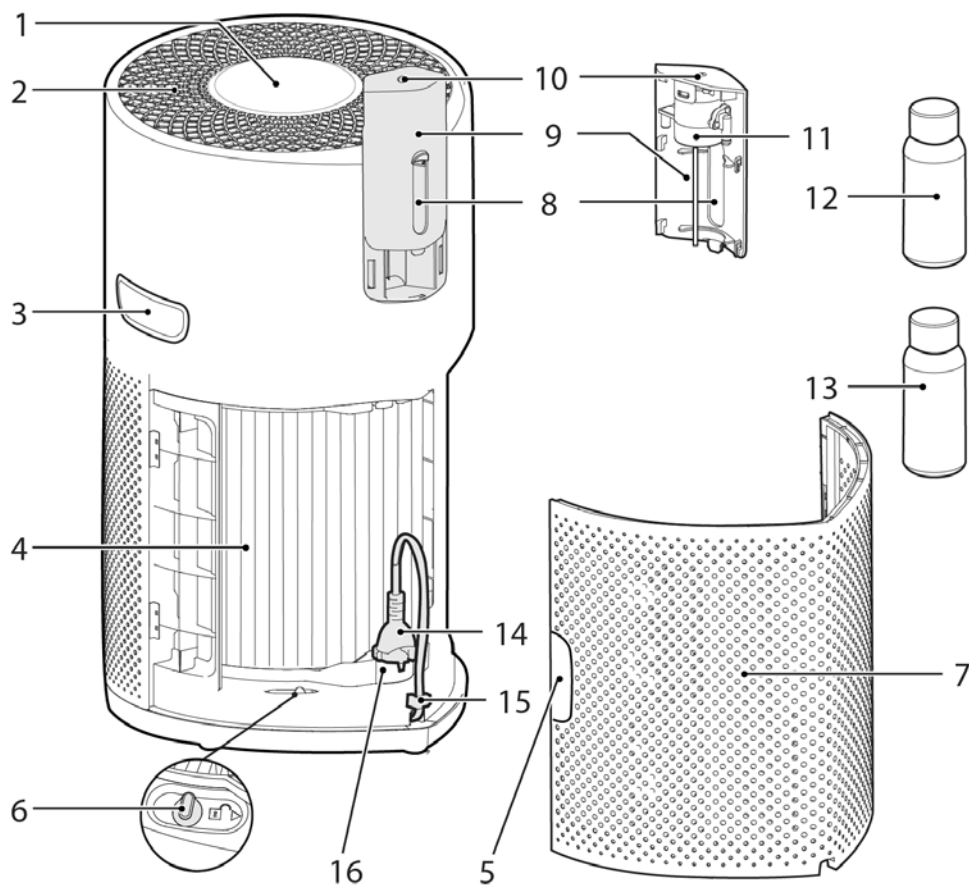
### Trådløse parametre for paring

Teknologi	Wi-Fi	Bluetooth
Standard	IEEE 802.11 b/g/n	Bluetooth v4.2, BLE
Frekvensbånd (MHz)	2401~2483	2402~2480
Maksimal strømstyrke (mW)	100	10
Maksimal RF-effekt som avgis i frekvensbåndet	18.9 dBm	

Candy Hoover Group Srl erklærer herved at radioutstyret samsvarer med direktiv 2014/53/EU. Fullteksten til EU-samsvarserklæringen er tilgjengelig på følgende Internettadresse: [www.candy-group.com](http://www.candy-group.com)

CANDY HOOVER GROUP S.r.l. Via Privata Eden Fumagalli, 20861 Brugherio (MB) Italy

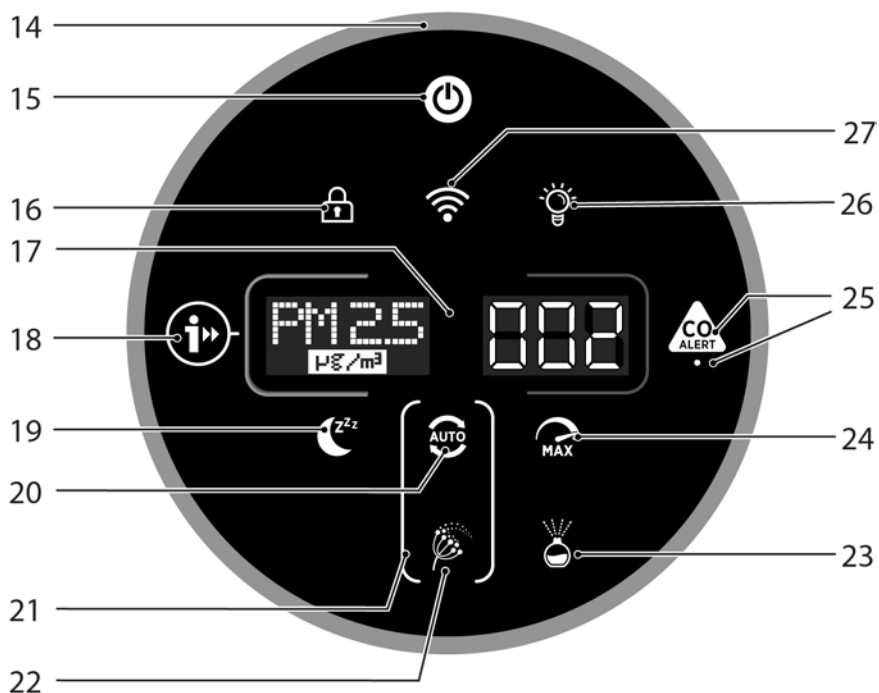
## 1. BLI KJENT MED H-PURIFIER



1	Kontrollpanel / Skjerm
2	Luftuttak
3	Produktbærehåndtak
4	Filtersamling
5	Dekselhåndtak for luftinntak
6	Filterutløsningsknapp

7	Luftinntaksdeksel
8	Diffuservindu
9	Diffuserdeksel
10	Diffuseruttak
11	Diffuserenhet

12	H-Essence-flaske
13	H-Biotics-flaske
14	Strømkabel og -støpsel
15	Lagringsskrog
16	Transportplassering



14	Luftkvalitet LED Ring
15	Av/på-knapp
16	Barnesikringsknapp
17	Digitalt display
18	Informasjonsknapp
19	Sovemodusknapp
20	Automodusknapp
21	Pollenallergi-sirkellampe
22	Pollenallergilampe
23	Diffuserknapp
24	Maksmodusknapp
25	CO Alert-knapp og LED
26	Lyskontrollknapp
27	Wi-Fi knapp

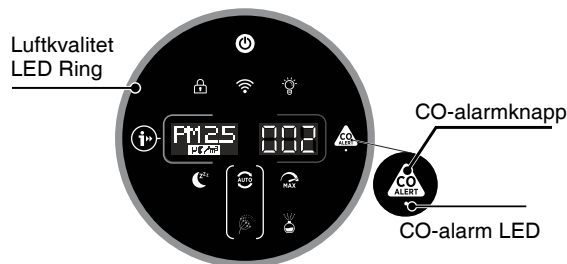


### 1.1 MULTI SENSOR SYSTEM

Takket være multisensorysystemet vil produktet kontinuerlig overvåke inneluften når det gjelder PM10, PM2.5 og flyktige organiske forbindelser (GAS).

Hver gang du slår på produktet ditt, begynner multisensorysystemet å analysere innendørs luftkvalitet, og LED-ring for luftkvalitet vil lyse i forskjellige farger som representerer sanntids luftkvalitetsforhold.

Luftkvalitet LED Ring-farge	Innendørs luftkvalitet	PM 10-verdi* $\mu\text{g}/\text{m}^3$	PM 2,5-verdi $\mu\text{g}/\text{m}^3$	GAS VOC-nivå
Grønn	Utmerket	0-50	0-25	L1
GUL	Tilfredsstillende	50-80	25-50	L2
ORANSJE	Dårlig	80-160	50-100	L3
Rød	Svært dårlig	$\geq 160$	$\geq 100$	L4



\* I pollenallergimodus vil PM 10-verdier som utløser luftkvalitetsnivået være lavere for å minimere risikoen for allergiske personer.

### 1.2 ALARM FOR KARBONMONOKSID (CO)

H-Purifier er utstyrt med et varslingsystem som konstant vil overvåke inneluften for karbonmonoksid (CO).

Når karbonmonoksidalarmen er aktivert, begynner Luftkvalitet LED Ring, informasjonen og CO Alert-knappen å blinke samtidig, og en lydalarm går av. Alarmen fortsetter frem til konsentrasjonen av karbonmonoksid (CO) er redusert til under 50 ppm med mindre den slås av manuelt ved å holde inne CO Alert-Knappen i 3 sekunder.

CO Alert LED viser CO-sensorenes arbeidsforhold. Den vises i grønn farge når CO-sensoren er i normal tilstand, i gul farge når sensoren ikke fungerer eller overskrider levetiden, og i rød farge når CO-alarmen er aktivert.

Du kan teste om alarmen fungerer som den skal ved å trykke på CO-varslingsknappen i 3 sekunder, en kraftig summerlyd varer i 5 sekunder hvis alarmen fungerer som den skal.

## 2. KLARGJØR H-PURIFIER

### 2.1 INSTALLERE FILTERET [Fig. 1]

Før du bruker H-Purifier-produktet må du fjerne filteret fra den beskyttende emballasjen:

- Fjern luftinntaksdekselet fra produktet, grip de to dekselhåndtakene for luftinntaket og trekke den fra produktet. [Fig. 1a]
- Ta støpselet ut av transportplasseringen og frigjør kabelen fra oppbevaringskroken. [Fig. 1b]
- Lås opp filterutløsningsbryteren. [Fig. 1c]
- Fjern filteret fra produktet og fjern den ytre emballasjen. [Fig. 1d,e]
- Sett filteret på produktet igjen. [Fig. 1f]
- Lås filterutløsningsbryteren. [Fig. 1g]
- Fest luftinntaksdekselet på produktet igjen. [Fig. 1h]

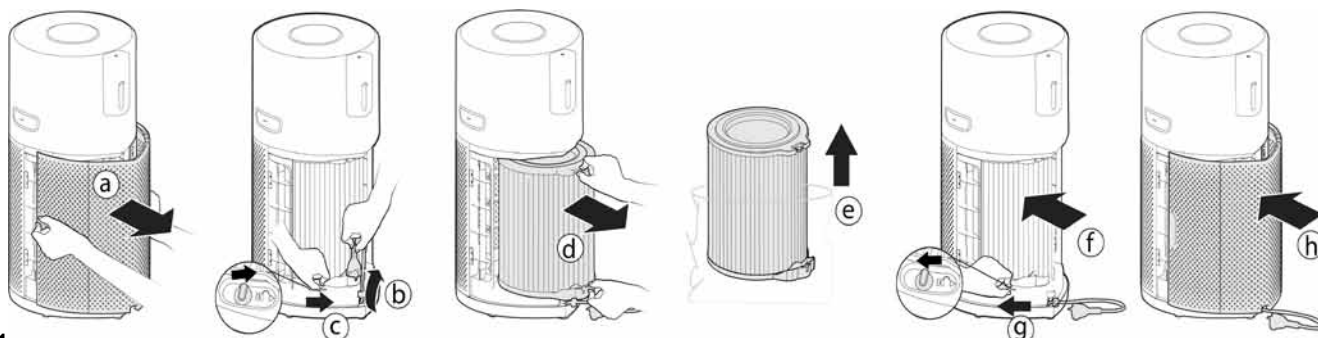


Fig. 1

### 2.2 MONTER DIFFUSERFLASKEN [Fig. 2]

Slik klargjør du H-Purifier-produktet for diffuserfunksjonen:

- Fjern diffuserdekselet fra produktet. [Fig. 2a]
- Fjern diffuserenheten fra diffuserdekselet. [Fig. 2b]
- Fjern flasken med H-Essence eller H-Biotics fra emballasjen og fjern lokket. [Fig. 2c]
- Oppbevar hetten for fremtidig lagringsbruk.
- Skru flasken godt på diffuserenheten. [Fig. 2d]
- Fest diffuserenheten på diffuserdekselet igjen. [Fig. 2e]
- Fest diffuserdekselet på produktet igjen. [Fig. 2f]

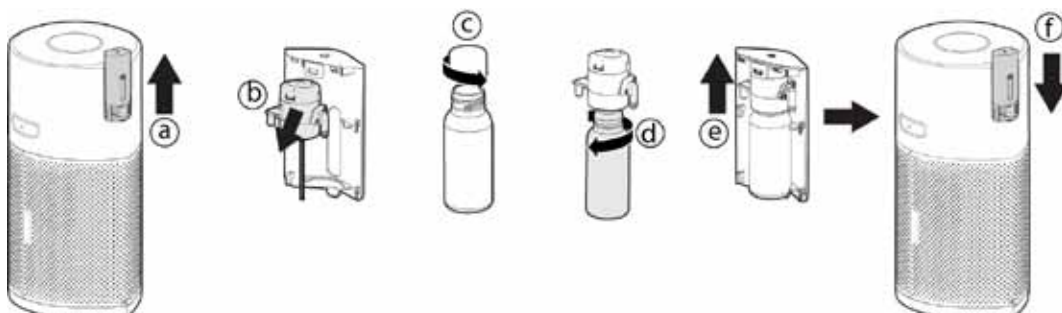


Fig. 2

### 3. BRUK AV H-PURIFIER

#### 3.1 SLÅ PÅ PRODUKTET [Fig. 4]:

Dra ut strømledningen fra ledningsrullen og sett den inn i en strømforsyning.

Alle lysene på kontrollpanelet/skjermen lyser fullt opp i omtrent et sekund for å angi en vellykket tilkoblet.

STRØM-knappen vil lyse svakt og CO-sensoryset er PÅ for å vise at Multi Sensor har begynt å overvåke karbonmonoksidnivået innendørs.

Du kan slå på produktet ved å trykke på STRØM-knappen på displayet.

Luftkvalitet LED Ring lyser gjennom alle fargene i sekvens mens sensorene analyserer luftforholdene i sanntid. Etter et par sekunder velger Luftkvalitet LED Ring fargen som samsvarer med luftkvaliteten for tiden.

H-Purifier-produktet går umiddelbart inn i AUTOMODUS og begynner å rense luften innendørs.

AUTOMODUS-knappen, INFORMASJON-knappen, LYSKONTROLL-knappen og PM10-informasjon på displayet lyser opp.



Fig. 4

#### 3.2 KOBLE TIL H-PURIFIER:

Hvis du vil bruke H-Purifier-funksjonene hvor enn du er, anbefales det at du laster ned hOn-appen.

Der vil du kunne kontrollere produktet på mest effektivt vis.

##### Instruksjoner:

1. Last ned hOn-appen fra App Store, Google Play eller Huawei AppGallery. Du kan også laste den ned ved å skanne QR-koden i [Fig. 5]
2. Åpne appen, opprett en konto med e-posten din og et passord.
3. Bekreft og logg på hOn-appen.
4. Påse at mobilenheten er tilkoblet Wi-Fi.
5. Kontroller at H-Purifier er påslått. Trykk og hold inne Wi-Fi-knappen på displayet i 5 sekunder, du hører så et lydsignal og Wi-Fi-knappen begynner å blinke for å vise at den venter på å koble seg til. [Fig. 6]
6. Følg instruksjonene i appen for å koble mobilenheten til produktet.
7. Når den er ferdig paret fortsetter Wi-Fi-knappen på produktet å lyse.
8. Du kan tilbakestille Wi-Fi ved å trykke og holde inne Wi-Fi-knappen i 5 sek.

H-Purifier fungerer også med Hei Google og Amazon Alexa.

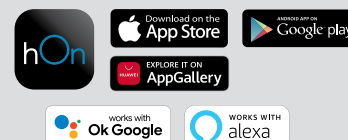


Fig. 5

#### 3.3 OPPDAG ALLE FUNKSJONENE

##### INFORMASJON-funksjon [Fig. 7]:

Det er 6 ulike datasett som kan overvåkes:

PM10, PM2.5, GAS, Temperatur, Fuktighet og Filterstatus.

Angi hvilke verdi du vil overvåke ved å trykke på INFORMASJON-knappen flere ganger.

Som standard viser displayet PM10-data. Maskinen vil huske brukerens forrige valg og beholde dette valget neste gang produktet slås på.

GAS-dataene viser en spinnende musepeker i løpet av de første tre minuttene etter at produktet er slått på mens GAS-sensoren utfører en kalibreringssyklus.

##### Mer informasjon om PM 2.5, PM 10 og GAS:

PM indikerer fine partikler (ikke synlige for menneskets øye) som hovedsakelig kommer fra utendørs forurensning som kjøretøy og industrielle utslipp, som er farlige for helsen vår ved langvarig eksponering.

PM 10 har en størrelse opptil 10 µm og kan treng gjennom øvre luftveier (nese, luftrør, svelg).

PM 2,5 er opptil 2,5 ¼m store og kan, på grunn av størrelsen, nå lungene våre og dermed trenge seg dypere inn i kroppen.

GAS VOC (flyktige organiske forbindelser) er flyktige kjemiske forbindelser som lett kan fordampe i luften ved romtemperatur. Deodoranter, vaskemidler, lim, klebemiddel, kosmetikk og formaldehyd er bare noen av VOC-ene som kan være til stede i hjemmene våre, men som er potensielt skadelige for helsen vår ved langvarig eksponering.

##### MODUS-funksjoner:

Det er 3 tilgjengelige luftrensmoduser: AUTOMODUS, MAKSMODUS OG SOVEMODUS.

Automodus er standardinnstillingen for produktet ditt når du slår det på. Alle moduser kan velges manuelt ved å trykke på samsvarende knapp på displayet.

POLLENALLERGI-modus kan også aktiveres via hOn-appen.

##### AUTOMODUS [Fig. 8]:

Dette er standard modus for H-Purifier-produktet når det først slås på. I automodus justerer H-Purifier automatisk viftehastigheten etter det faktiske luftkvalitetsnivået innendørs for å alltid garantere optimal luftrensing.

Dette er den anbefalte innstillingen for produktet.

I AUTO-modus, etter 30 minutter med utmerket luftkvalitet, vil produktet gå inn i ECO-modus (Stand-by-funksjon) ved å stoppe rensefunksjonen (vifte), Multi Sensorsystemet vil fortsette å analysere inneluften og automatisk slå på rensefunksjon når det er nødvendig.

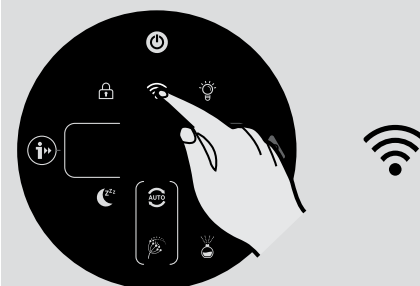


Fig. 6

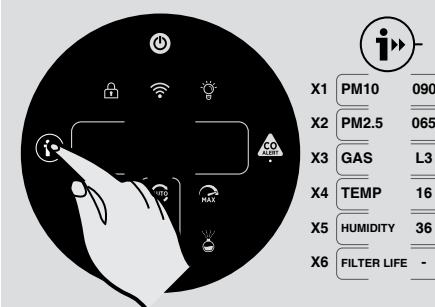


Fig. 7



Fig. 8

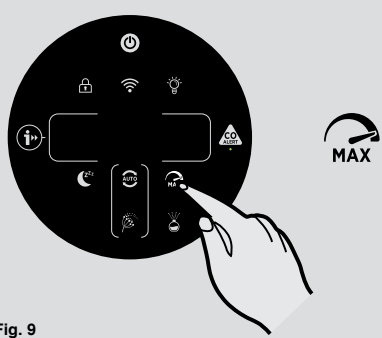


Fig. 9

**MAKSMODUS [Fig. 9]:**

Trykk på MAKS-modusknappen på displayet for å aktivere den kraftigste luftrensingsinnstillingen. Du kan avslutte MAKS-modus ved å velge AUTO-modus eller SOVE-modus.

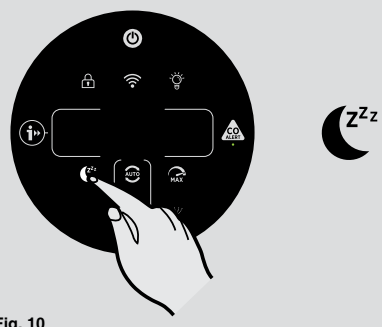


Fig. 10

**SOVEMODUS [Fig. 10]:**

Trykk på SOVE-modus for å aktivere luftrensingen på lavest og stillest effekt. SOVE-modusknappen lyser svakt og alle andre displaylamper slås av. Dette kan endres ved å trykke på LYSKONTROLL-knappen.

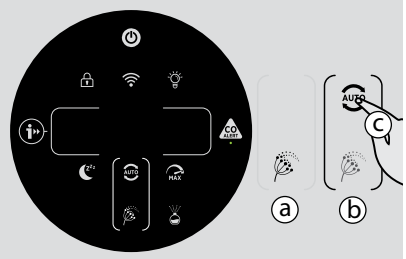


Fig. 11

**POLLENALLERGI-MODUS: [Fig. 11]**

Pollenallergi-modus kan bare aktiveres via hOn-appen. Du må aktivere og registrere en profil i appen før du kan opprette en pollenallergi-profil.

Pollenallergi-modusen fungerer bare når AUTOMODUS er valgt. [Fig. 11c]

I pollenallergi-modus mottar apparatet kontinuerlig data i sanntid fra appen om den registrerte pollenkonsentrasjonen utendørs, og jobber automatisk for å maksimere pollenoppfangingen.

Så snart pollen fanges opp, vil de deaktiveres for å lindre allergiske reaksjoner.

Når pollenallergi-modusen er aktivert i appen, er det 2 mulige varslingslamper på produktdisplayet:

- Pollenallergilampen er HVIT [Fig. 11a]: Apparatet og appen overvåker tilstedeværelsen av pollen utendørs, og det er ingen risiko.

- Pollenallergilampen blir GUL og pollenallergi-sirkellampen er HVIT [Fig. 11b]: Apparatet og appen har oppdaget en risiko.

Hvis produktet settes manuelt i SOVE-modus eller MAKS-modus mens pollenallergi-modus er aktivert, avsluttes pollenallergi-modus.

**LYSKONTROLL-funksjon: [Fig. 12]**

Det er 3 tilgjengelige innstillinger for displaylysene: på, dimmet og av

Du kan justere lysstyrken på displaylysene ved å trykke på LYSKONTROLL-knappen på displayet, og veksle mellom de tre tilgjengelige alternativene. PÅ er standardinnstillingen.

Hvis AV er valgt, må en annen knapp trykkes to ganger for å aktiveres. Etter ett trykk blir lampene DIMMET, etter det andre trykket blir handlingen aktivert.

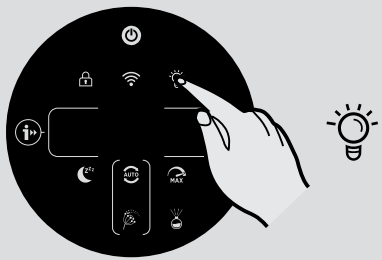


Fig. 12

**BARNESIKRING-funksjon: [Fig. 13]**

Trykk og hold inne BARNESIKRING-knappen i 3 sekunder for å aktivere. Det kommer et lydsignal når den er aktivert, og BARNESIKRING-knappen fortsetter å lyse. Ingen andre knappen fungerer når den er aktivert.

Du kan avslutte ved å trykke og holde inne BARNESIKRING-knappen i 3 sekunder. Et lydsignal bekrefter at den er slått av og knappen slutter å lyse.



Fig. 13

**DIFFUSERFUNKSJON: [Fig. 14]**

Diffuseren sprer ut H-Essence eller H-Biotics i luften. H-Essence er Hoovers samling av essensielle oljer som kan frigjøres i luften for en god duft.

H-Biotics er naturlig blanding basert på probiotika som holder rommet bio-hygienisk ved å begrense veksten av mikroorganismer som bakterier eller mikrober.

Det er 4 ulike innstillinger for DIFFUSER-funksjonen, MILD, MIDDELS, EGENDEFINERT OG H-BIOTICS. Du kan aktivere denne funksjonen ved å trykke på diffuserknappen på displayet.

Standardinnstillingen for denne funksjonen er MILD. Du kan velge en av de andre innstillingene ved å trykke på knappen frem til du når ønsket valg. Knappen lyser hvitt når den er påslått.

Det anbefales å bruke innstillingene MILD og MIDDELS for H-Essence.

TILPASSET innstilling kan bare opprettes på hOn-appen.

Når du bruker H-Biotics, MÅ innstillingen angis til H-Biotics. Når brukeren aktiverer H-Biotics med appen, gir dette en varsling om «AKTIVER H-BIOTICS» etter 120 timer for å sikre at H-Biotics brukes hver 5. dag.

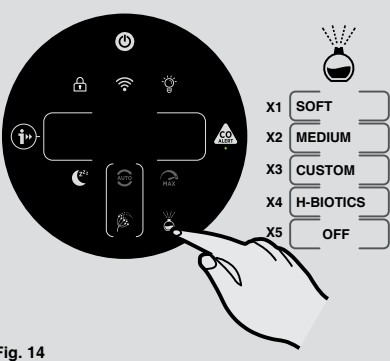


Fig. 14

Når du bruker H-Essence i visse innstillinger eller rommiljøer, kan GAS VOC-nivået endres på grunn av deteksjonen av duftene. Diffuser-funksjonen fungerer bare når LED-ringene for luftkvalitet er på grønn farge, den vil stoppe når LED-ringene ikke er grønn og fortsette å fungere når den kommer tilbake til grønn.

Diffuserfunksjonen kan bare brukes i AUTO- og MAKS-modus, og ikke i SOVE-modus.

Når diffuserfunksjonen aktiveres i AUTO-modus, jobber hovedviften i en spesifikk hastighet for å bidra til å spre H-Essence eller H-Biotics i rommet.

Innstilling	Timing for spredning	Maks varighet på syklus
MILD	i 10 sekunder hvert 5. minutt	6 timer
MIDDELS	i 90 sekunder hver 3,5 minutter	6 timer
EGENDEFINERT	Brukerdefinert	6 timer
H-BIOTICS	i 2 minutter hvert 4. minutt	6 timer

## 4. VEDLIKEHOLDE H-PURIFIER

### 4.1 FILTERVEDLIKEHOLD

H-Purifier overvåker tilstanden på filteret. En varsel om «RENS ELLER BYTT FILTER» dukker opp på venstre side av displayet, og en lampe blinker for å indikere at filteret må renses eller byttes ut.

#### Rense/Bytte filter: [Fig. 15]

- Fjern luftinntaksdekselet fra produktet. [Fig. 15a]
- Lås opp filterutløsningsbryteren. [Fig. 15b]
- Fjern filteret fra produktet. [Fig. 15c]
- Bruk en støvsuger til å rengjøre det ytre nettet på filtersamlingen eller bytt den med et NYTT filter. [Fig. 15d]
- Sett filteret på produktet igjen. [Fig. 15e]
- Lås filterutløsningsbryteren. [Fig. 15f]
- Fest luftinntaksdekselet på produktet igjen. [Fig. 15g]
- Koble apparatet til strømforsyningen og slå det på.
- Trykk på INFORMASJON-knappen for å tilbakestille rengjørings-/erstatningsvarselet ved å holde knappen inne i 3 sekunder. Det høres et hørbart varsel som indikerer en vellykket tilbakestilling. [Fig. 7]

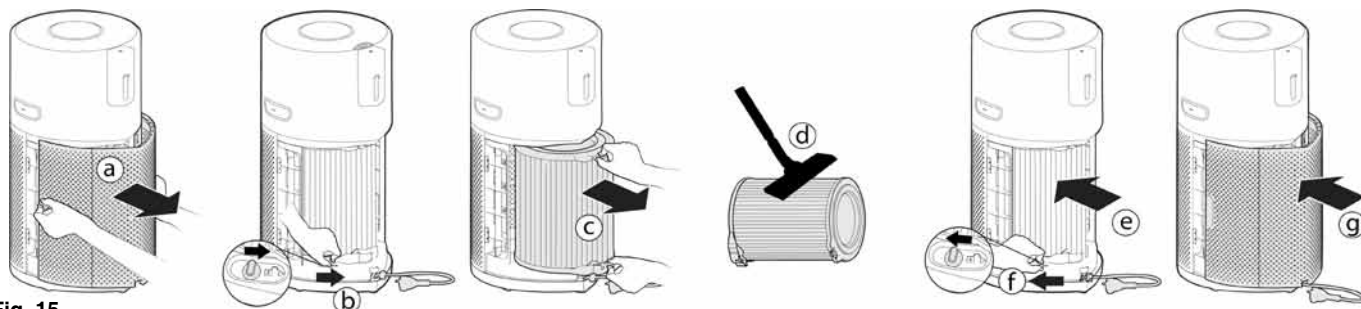


Fig. 15

### 4.2 VEDLIKEHOLD AV DIFFUSER

Etter hver bruk av diffuserfunksjonen bør du bruke en tørr, myk klut til å tørke av eventuelle rester fra produktoverflatene.

#### Utskiftning av diffuserflaske: [Fig. 16]

Volumet av væske som ligger igjen i flasken kan kontrolleres gjennom diffuservinduet. Flasken bør byttes ut etter behov.

- Fjern diffuserdekselet fra produktet. [Fig. 16a]
- Fjern diffuserenheten og flasken fra diffuserdekselet. [Fig. 16b]
- Skru løs og fjern den tomme flasken. [Fig. 16c]
- Fjern den nye med H-Essence eller H-Biotics fra emballasjen og fjern lokket. [Fig. 16d]
- Skru den nye flasken godt på diffuserenheten. [Fig. 16e]
- Fest diffuserenheten på diffuserdekselet igjen. [Fig. 16f]
- Fest diffuserdekselet på H-Purifier igjen. [Fig. 16g]

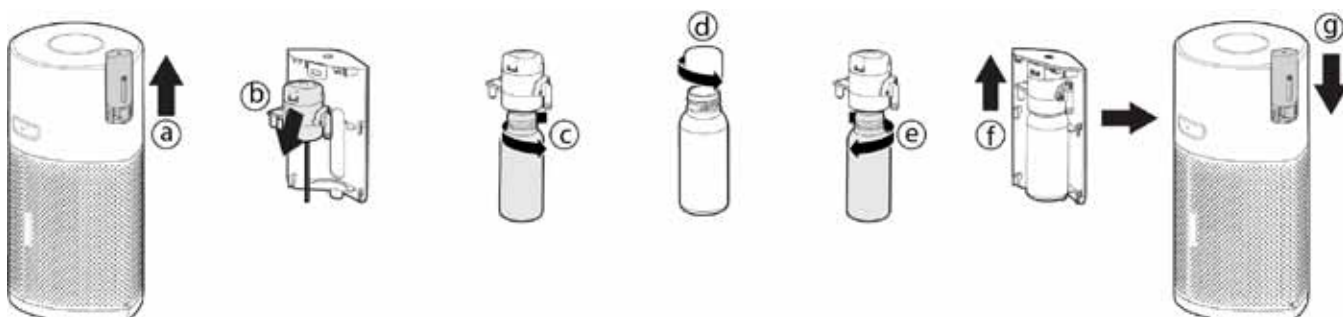


Fig. 16

## 5. OPPBEVARING AV H-PURIFIER

1. Slå av H-Purifier og ta ut stikkkontakten.
2. Rengjør alle interne og eksterne overflater til H-Purifier og det eksterne laget til filteret.
3. Fjern flasken fra diffusoren. Fest det opprinnelige lokket på flasken og oppbevar den slik at den er beskyttet fra direkte lys. Rengjør overflatene fra diffusorenheten og diffuserdekelet. Forsikre deg om at det ikke er rester av H-Essence eller H-Biotics på noen overflate av H-Purifier.
4. Påse at alle komponentene er tørre.
5. Fjern luftinntaksdekelet [Fig. 17a], rull inn strømledningen ved å trekke i den [Fig. 17b], fest ledningen i lagringskroken og sett støpselet i transportstedet. [Fig. 17c,d] Fest luftinntaksdekelet igjen. [Fig. 17e]
6. Oppbevar H-Purifier på et tørt og kjølig sted.

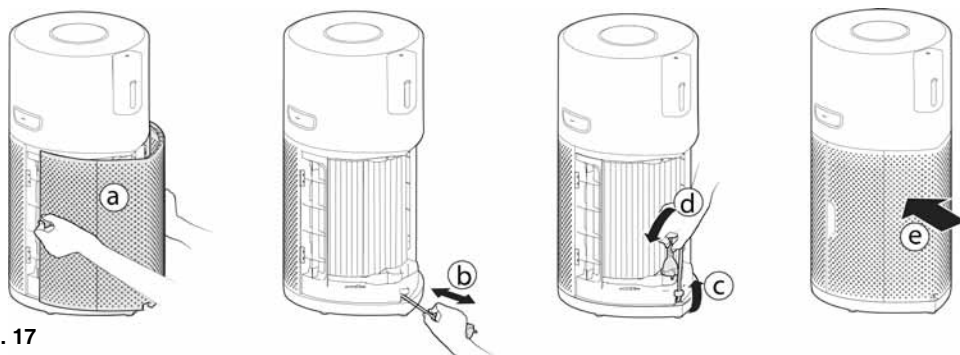


Fig. 17

## 6. VARSLINGER OG LØSNINGER

Følgende koder kan dukke opp under bruk. [Fig. 18]

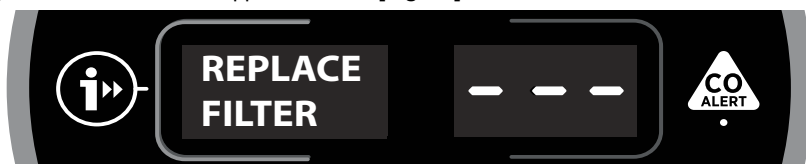


Fig. 18

Alarm		Alarmbeskrivelse	Løsning
Alarm på produkt	Varsling på appen		
"RENS FILTER"	Varsling om rengjøring av forfilter	Foreslå å rengjøre det ytre laget av filteret.	1. Rengjør det ytre laget av filteret. 2. Tilbakestill varselet ved å holde INFORMASJON-knappen i 3 sekunder. <b>Se 4.1 FILTERVEDLIKEHOLD</b>
"BYTT FILTER"	Varsling om filterbytte	Foreslå å erstatte filteret.	1. Bytte filteret. 2. Tilbakestill varselet ved å holde INFORMASJON-knappen i 3 sekunder. <b>Se 4.1 FILTERVEDLIKEHOLD</b>
"FILTER MANGLER"	Feil: Det oppstod en feil med luftrensere, kontroller mulige løsninger	Filteret er ikke på plass eller er ikke riktig låst	1. Hvis filteret ikke er til stede, må du sette det på igjen. 2. Hvis filteret er i posisjon, sjekk om filterutløseren er på LOCK-status. <b>Se 2.1 INSTALLERE FILTERET</b>
"FEIL PÅ PM-SENSOR"	/	Funksjonsfeil på PM-sensor	Feil på PM-sensor eller sensortråd er ikke koblet godt sammen. Ring servicesenter for å fikse.
CO-alarm LED er gul	Feil: Det oppstod en feil med luftrensere, kontroller mulige løsninger	CO-sensor fungerer ikke, eller CO-sensoren overskrider levetiden.	Ring servicesenter for å fikse.
/	Feil: Det oppstod en feil med luftrensere, kontroller mulige løsninger	Motorfeil	Motor fungerer ikke eller motorkabel er ikke godt nok tilkoblet. Ring servicesenter for feilretting.
"TEMPERATUR. OG FUKTIGHET. FEIL PÅ SENSOR"	/	Feil på temperatur- og fuktighetssensoren	Feil på temperatur og fuktighetssensor eller sensortråd er ikke koblet godt sammen. Ring servicesenter for å fikse.
"PAUSE"	/	Spreaderen vil stoppe når LED-ringen for luftkvalitet ikke er grønn.	Ingen behov for handling. Spreaderen vil fortsette når LED-ringen for luftkvalitet er grønn.

**VÆR OPPMERKSOM:** Hvis noen av disse problemene vedvarer, kontakt din lokale Hoover-representant. IKKE prøv å demontere H-Purifier selv.

## 7. FEILSØKING

Nedenfor er en liste over typiske problemer man møter, og løsninger på disse.  
Hvis noen av disse problemene vedvarer må du kontakte din lokale Hoover-representant.

Viften fungerer ikke (Kontrollpanel / Displaylys på)	<ul style="list-style-type: none"> <li>• Sjekk varslingen som vises på displayet eller i appen. Hvis det er, se <b>6. VARSLINGER OG LØSNINGER</b>.</li> <li>• Sjekk om det er noen obstruksjoner i viften. Hvis det er det, må du først koble fra produktet og fjerne dem, eller ringe servicesenteret for å fjerne dem.</li> <li>• Kontroller at H-Purifier er påslått.</li> <li>• Sjekk om filteret er riktig montert og låst.</li> <li>• Kontroller at H-Purifier står helt oppreist i vertikal posisjon og ikke er på skakke.</li> <li>• H-Purifier kan også være i ECO-modus. Du kan trykke på sovemodusknappen eller Max Mode-knappen for å avslutte ECO-modus. Se <b>3. BRUK AV H-PURIFIER – AUTOMODUS</b>.</li> </ul>
Viften fungerer ikke (Kontrollpanel / Displaylys av)	<ul style="list-style-type: none"> <li>• Kontroller at H-Purifier er plagget inn og påslått.</li> <li>• Sjekk varslingen som vises i appen. Hvis det er, se <b>6. VARSLINGER OG LØSNINGER</b>.</li> </ul>
Ingen lys på kontrollpanelet / Skjerm (Viften fungerer)	<ul style="list-style-type: none"> <li>• I sovemodus er standard lysinnstilling av. Du kan trykke på Lyskontrollknappen for å slå på lysene.</li> <li>• Lysene kan være slått av. Trykk på Lyskontrollknappen for å slå på lysene. Se <b>3. BRUK AV H-PURIFIER – SOVEMODUS / LYSKONTROLL-funksjon</b>.</li> </ul>
Knappene på kontrollpanelet fungerer ikke	<ul style="list-style-type: none"> <li>• Barnesikring kan være aktivert. Du kan trykke og holde inne BARNESIKRING-knappen i 3 sekunder for å avslutte. Se <b>3. BRUK AV H-PURIFIER – BARNESIKRING-funksjon</b>.</li> </ul>
Luftstrømmen er svak	<ul style="list-style-type: none"> <li>• Kontroller at den beskyttende emballasjen har blitt fjernet fra filteret.</li> <li>• Sjekk om det er noen obstruksjoner i luftinntaksdekslet eller luftuttaket.</li> <li>• Fjern luftinntaksdeksel og sjekk tilstanden på filteret. Rengjør det ytre laget eller bytt ut filteret hvis nødvendig. Du kan sjekke status for filterlevetid i skjerm ved å trykke på informasjonsknappen.</li> <li>• Kontroller at H-Purifier er i sovemodus. Viften går på lavere effekt i denne modusen.</li> </ul>
H-Purifier lager mye støy	<ul style="list-style-type: none"> <li>• Sjekk om det er noen hindringer inne i H-Purifier.</li> <li>• Kontroller om H-Purifier kjører i maksimal modus. Viften går på høyeste effekt i denne modusen.</li> </ul>
H-Purifier opererer plutselig høyt	<ul style="list-style-type: none"> <li>• Sjekk om H-Purifier kjører i automodus og at LED-ringen for luftkvalitet ikke er grønn. I automodus justerer H-Purifier automatisk viftehastigheten til det faktiske innendørs luftkvalitetsnivået. Se <b>3. BRUK AV H-PURIFIER – AUTOMODUS</b>.</li> </ul>
H-Purifier avgir plutselig en høy summelyd	<ul style="list-style-type: none"> <li>• Testfunksjonen til CO-alarmknappen er aktivert utilsiktet under betjening. Lyden stopper automatisk etter fem sekunder. Se <b>1.2 ALARM FOR KARBONMONOKSID (CO)</b></li> </ul>

## VIKTIG INFORMASJON

### Reservedeler og tilbehør fra Hoover

Bruk alltid originale deler fra Hoover. Disse er tilgjengelige fra din lokale Hoover-forhandler eller direkte fra Hoover. Når du bestiller deler, må du alltid oppgi modellnummeret ditt.

### Kvalitet

Hoovers fabrikker har blitt uavhengig kvalitetsvurdert.. Våre produkter produseres ved å bruke et kvalitetssystem som er i samsvar med ISO 9001.

### DIN GARANTI

Garantibetingelsene for dette apparatet er som definert av vår representant i det landet der det ble solgt. Detaljer vedrørende disse betingelsene fås fra forhandleren der apparatet ble kjøpt. Salgskvitteringen må fremvises ved fremsetting av krav under betingelsene i denne garantien.

Kan endres uten forvarsel.



## ALLMÄNNA SÄKERHETSVARNINGAR

Den här apparaten skall endast användas för privata hushåll, som beskrivs i denna bruksanvisning. Se till att du förstår den här guiden innan du använder apparaten och att den förvaras för framtida referens. Kontrollera om spänningen och klassificeringarna som anges på apparatens etikett motsvarar den lokala strömspänningen innan du ansluter apparaten.

Om nätsladden är skadad, sluta då omedelbart att använda produkten. För att undvika en säkerhetsrisk, måste en auktoriserad HOOVER servicetekniker byta nätsladden.

Ta inte bort kontakten genom att dra i nätsladden.

Placera nätsladden så att ingen kommer att gå på eller snubbla över den.

Stäng alltid av och koppla ur apparaten innan du rengör den eller utför något underhåll.

Den här apparaten kan användas av barn från 8 års ålder och personer med en nedsatt fysisk, sensorisk eller mental förmåga och som inte har den erfarenhet och kunskaper som behövs, förutsatt att de övervakas eller har fått instruktioner om hur apparaten används på ett säkert vis och förstår riskerna som är involverade. Barn får inte leka med apparaten.

Rengöring och underhåll som användaren ska utföra, får inte göras av barn utan överinseende. Apparaten tar inte bort kolmonoxid (CO) eller radon (Rn). Den kan inte användas som säkerhetsanordning vid olyckor med förbränningsprocesser och farliga kemikalier.

Fortsätt inte att använda apparaten om den verkar defekt.

Blockera inte luftinloppet eller luftutloppet.

För inte in fingrar eller föremål i luftutloppet eller luftinloppet för att förhindra fysisk skada eller fel på apparaten.

Rengör inte apparaten med vatten eller något annat flytande eller (brandfarligt) rengöringsmedel och låt det inte komma in i apparaten för att undvika elektrisk stöt och/eller brandrisk.

Spruta inte brandfarliga material som insektsmedel eller parfym runt apparaten.

Denna apparat ersätter inte korrekt ventilation, regelbunden dammsugning eller användning av en köksfläkt eller fläkt under matlagning.

Använd endast förbrukningsartiklar, fukter eller reservdelar som rekommenderas eller levererats av HOOVER.

Säkerställ att filtret är korrekt installerat innan du sätter på apparaten.

Undvik att stöta mot apparaten (särskilt luftinloppet och utloppet) med hårda föremål.

Håll produkten torr.

Luta eller töm aldrig produkten under drift.

Om apparaten inte används på länge kan bakterier växa på filtren. Kontrollera filtren när apparaten har varit ur bruk en längre tid. Byt ut filtren om de är väldigt smutsiga.

För att säkerställa en fortsatt säker och effektiv drift av denna apparat rekommenderar vi att service eller reparationer endast utförs av en auktoriserad servicetekniker från HOOVER.

## ANVÄNDNINGSSOMRÅDE

Placera och använd produkten endast på en torr, stabil, jämn horisontell yta, så att den inte kan falla.

Lämna minst 20 cm ledigt utrymme bakom och på båda sidor av apparaten och lämna minst 30 cm ledigt utrymme ovanför apparaten.

För att förhindra störningar ska du placera apparaten minst två meter från elektriska apparater som använder luftburna radiovågor som TV, radio och radiostyrda klockor.

Placera ingenting ovanpå apparaten.

Använd inte den här apparaten då du har använt insektsmedel i rökform inomhus eller på platser med oljiga rester, brinnande rökelse eller kemiska ångor.

Placera inte apparaten på någon av följande platser:

- På varma ytor, nära varma ytor, öppen eld eller i direkt solljus, nära gasapparater, värmeenheter eller eldstäder;



- Bredvid eller direkt ovanför värmare eller luftkonditioneringsöppningar, dörrar, fönster, fläktar, spisar eller var som helst det kan påverkas av drag;
- I ett badrum eller andra områden där produkten kan utsättas för vattenstänk, droppar eller kondens (t.ex. direkt under en luftkonditionering eller ovanför en vattenkokare);
- I ett slutet utrymme (t.ex. i eller under ett skåp);
- I ett område där temperaturen kan sjunka under  $-20\text{ °C}$  eller stiga över  $50\text{ °C}$ ;
- I ett rum med stora temperaturväxlingar, i våta omgivningar eller i omgivningar med höga temperaturer eller hög luftfuktighet, såsom badrum, toalett eller kök;
- Där den kan blockeras, t.ex. av gardiner eller möbler;
- Där smuts eller damm kan blockera sensorn.

## CO MONITOR SÄKERHETSINSTRUKTIONER

Om kolmonoxidlarmet är aktiverat bör du öppna alla fönster och dörrar (om det är säkert). Stäng av alla bränsleförbränningsapparater om så är möjligt och evakuera sedan fastigheten och lämna fönster och dörrar öppna. Alla som drabbas av kolmonoxidförgiftning borde få omedelbar medicinsk hjälp. Gå inte in i byggnaden igen förrän larmet stoppar. Larmet stoppar när kolmonoxiden har försvunnit. Använd inga bränsleförbränningsapparater igen förrän kolmonoxidkällan har hittats och korrigerats av en kvalificerad tekniker.

Undvik att använda färg, thinner, lösningsmedelsångor, luftrenare, aerosolsprayer eller kemiska rengöringsmedel nära apparaten. Detta kan påverka funktionen av CO Monitor.

För att aktivera CO Monitor ska du ansluta kontakten till ett uttag. CO Larm LED lyser grönt. När CO-monitorn upptäcker en osäker CO-nivå, kommer CO-larmet att ringa högt och CO larmknappen och LED-ringen för luftkvalitet blinkar i röd färg. Larmet kommer att fortsätta ringa tills dett upptäckta CO minskas till en säker nivå.

Tryck på [CO Alert]-knappen i 3 sekunder för att testa kolmonoxidlarmfunktionen så ringer larmet högt i 5 sekunder. Testa larmet varje månad och efter långvarig frånvaro från byggnaden (t.ex. semestrar). Om larmet inte ringer efter att du har tryckt på [CO Alert]-knappen i 3 sekunder ska du kontakta Hoovers kundtjänst för att få en kvalificerad tekniker att reparera felet.

Om displayen anger att Co-sensor är defekt eller att livslängden har nåtts, kontakta Hoover kundtjänst för att ordna en kvalificerad tekniker som byter CO-sensor. Kolmonoxidsensorns förväntade livslängd är 7 år och den måste bytas ut efter denna tid.

Låt inte små barn trycka på CO Alert-knappen i 3 sekunder eftersom de kan utsättas för ett för högt ljud när larmet ringer.

Driftsfuktighet: 15 – 90% RH

Driftstemperatur:  $0\text{ °C}$  till  $+40\text{ °C}$

Kolmonoxid påverkar kroppen genom att svälta (kväva) kritiska syreorgan. När kolmonoxid inandas fästs de vid hemoglobinet i blodet som normalt transporterar syre i hela kroppen. Kolmonoxid förskjuter syremolekylernas förmåga att fästa sig vid hemoglobinet permanent och reducerar således syret till vitala organ. Koncentrationsnivån och tiden som personen exponeras för kolmonoxidet kan variera dess effekter på kroppen, men experter håller med om att även låga nivåer av kolmonoxidexponering under längre perioder kan ha allvarliga och varaktiga effekter på den allmänna hälsan.

**WARNING: KOLMONOXID LARMET ÄR UTFORMAT FÖR ATT SKYDDA PERSONER FRÅN DE AKUTA EFFEKTERNA AV KOLMONOXID EXPONERING ELLER FÖRHINDRA KRONISKA EFFEKTER AV KOLMONOXID EXPONERING. DET SKYDDAR INTE HELT PERSONER MED SÄRSKILDA HÄLSOTILLSTÅND. VID TVIVEL SKA DU KONTAKTA MEDICINSK PERSONAL.**

CO Monitor-funktionen får inte användas som, eller underförstått användas som ersättning för EN 50291-1, UL-2034, CSA-6.19 eller något annat erkänt standardcertifierat kolmonoxidlarm som lokala eller regionala koder eller lagar föreskriver borde användas. CO Monitor-funktionen är endast en kompletterande övervakningsenhet för kolmonoxid. Användning av denna enhet sker enligt användarens bedömning och innebär förståelse och godtagande av dess begränsningar för att följa koder eller lagar där det är tillämpligt.

Den här apparaten skall inte användas som ersättning för korrekt installation, användning och underhåll av bränsleapparater inklusive lämpliga ventilations- och utloppssystem.

CO Monitorns mobil- och surfplattaeaviseringar kräver en fungerande Wi-Fi-anslutning för att fungera. De är inte en ersättning för en tredje parts nödövervakningstjänst.

## SPRIDARE SÄKERHETSINSTRUKTIONER

Använd endast aromolja som rekommenderas eller levereras av HOOVER.

Undvik att använda fristående luftfuktare bredvid luftrenaren när du använder diffusionsfunktionen i H-Essence.

Torka upp eventuellt spill av H-Essence omedelbart. Se till att rengöra alla hörn av produkten som kom i kontakt med H-Essence.

### Miljön

Denna produkt är märkt enligt det europeiska direktivet 2012/19/EU gällande elektroniskt avfall och elektronisk utrustning (WEEE). Genom att se till att produkten avfallshandteras på rätt sätt kan du hjälpa till att hindra möjliga negativa konsekvenser för miljö och hälsa.

Symbolen på apparaten indikerar att denna produkt inte får behandlas som hushållsavfall. Den måste i stället lämnas in på uppsamlingsplats för återvinning av elektrisk och elektronisk utrustning. Avfallshanderingen ska utföras enligt de lokala miljöbestämmelserna. För mer information om hantering, återvinning och återanvändning av denna produkt, kontakta din kommun, lokala myndigheter och renhållningsverk eller den butik där du köpte apparaten.



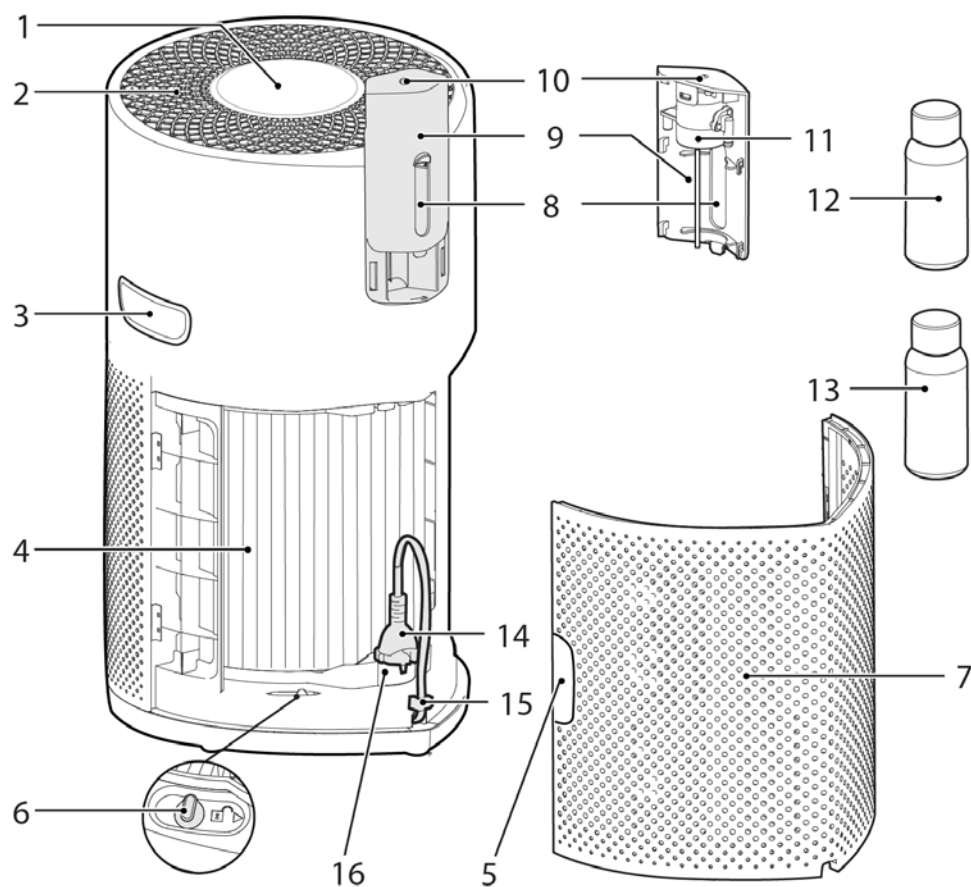
### Trådlösa parametrar för parkoppling

Teknologi	Wi-Fi	Bluetooth
Standard	IEEE 802.11 b/g/n	Bluetooth v4.2, BLE
Frekvensband (MHz)	2401-2483	2402-2480
Maximal effekt (mW)	100	10
Maximal RF-effekt överförd i frekvensbanden	18.9 dBm	

Candy Hoover Group Srl förklarar härmed att radioutrustningen överensstämmer med direktiv 2014/53/EU. Den fullständiga texten till EU-försäkran om överensstämmelse finns på följande internetadress: [www.candy-group.com](http://www.candy-group.com)

CANDY HOOVER GROUP S.r.l. Via Privata Eden Fumagalli, 20861 Brugherio (MB) Italy

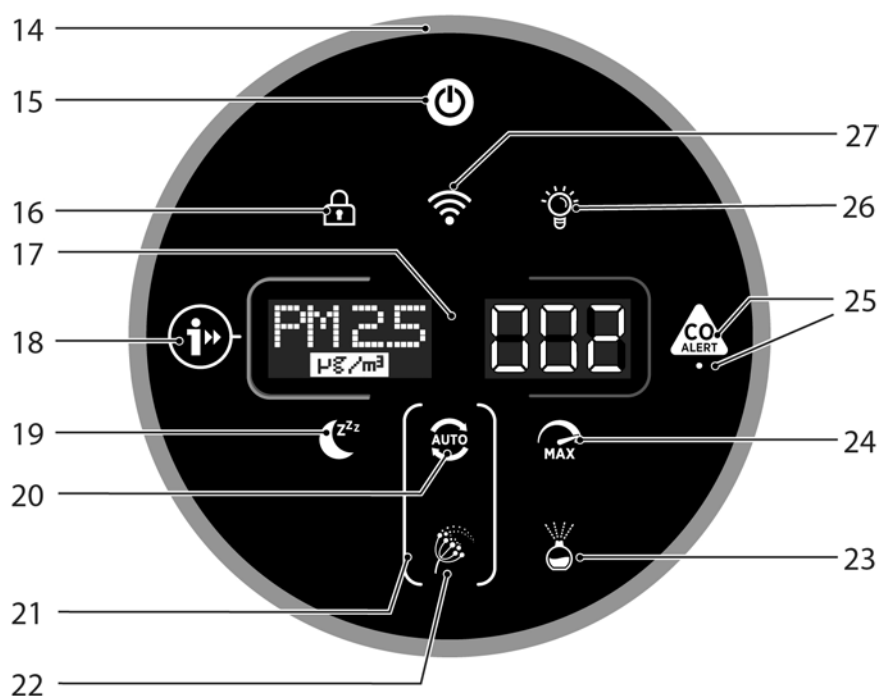
## 1. LÄR KÄNNA DIN H-PURIFIER



1	Kontrollpanel / Display
2	Luftutsläpp
3	Produktens bärhandtag
4	Filtermontering
5	Luftinloppskyddets handtag
6	Upplåsningsbrytare för filtret

7	Luftinloppskydd
8	Diffuserfönster
9	Diffuserskydd
10	Diffuserutlopp
11	Diffuserenhet

12	H-Essence-flaska
13	H-Biotics-flaska
14	Nätsladd och kontakt
15	Förvaringskrok
16	Transportplats



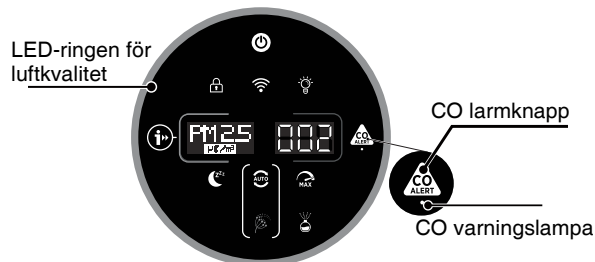
14	LED-ringen för luftkvalitet
15	Ström På/Av-knapp
16	Knapp för barnlås
17	Digital display
18	Informationsknapp
19	Knapp för viloläge
20	Knapp för automatiskt läge
21	Cirkellampa för pollenallergi
22	Lampa för pollenallergi
23	Diffuserknapp
24	Knapp för maxläge
25	CO Alert-knapp och LED-lampa
26	Ljuskontrollknapp
27	Wi-Fi-knapp

## 1.1 MULTISENSORSYSTEM

Tack vare multisensorsystemet övervakar din produkt kontinuerligt luftförhållandena inomhus i form av PM10, PM2.5 och flyktiga organiska föreningar (GAS).

Varje gång du slår på din produkt kommer multisensorsystemet att börja analysera luftkvaliteten inomhus och LED-ringen för luftkvalitet lyser med olika färger som representerar luftkvalitetsförhållanden i realtid.

LED-ringfärg för luftkvalitet	Luftkvalitet inomhus	PM 10 värde* $\mu\text{g}/\text{m}^3$	PM 2,5 värde $\mu\text{g}/\text{m}^3$	GAS nivå
Grön	Utmärkt	0-50	0-25	L1
GUL	Nöjaktig	50-80	25-50	L2
ORANGE	Dålig	80-160	50-100	L3
RÖD	Mycket dålig	$\geq 160$	$\geq 100$	L4



\* I Pollen Allergy-läge kommer PM 10-värden som utlöser luftkvalitetsnivå att vara lägre för att minimera risken för allergiska personer.

## 1.2 KOLMONOXID (CO) LARM

H-Purifier är utrustad med ett varningssystem som ständigt övervakar inomhusluften för kolmonoxid (CO).

När kolmonoxidlarmet är aktiverat blinkar LED-ringen för luftkvalitet, information och CO Alert-knappen röd samtidigt och ett hörbart larm ljuder. Larmet förblir påslaget tills kolmonoxidkoncentrationen (CO) har minskat till under 50 ppm om den inte tystas manuellt genom att trycka på CO Alert-knappen i 3 sekunder.

CO-varningslampan visar CO-sensorns arbetsförhållande. Den visas i grön färg när CO-sensorn är i normalt tillstånd, i gul färg när sensorn inte fungerar eller överskrider dess livslängd och i röd färg när CO-varning är aktiverad.

Du kan testa om larmet fungerar ordentligt genom att trycka på CO Alert-knappen i 3 sekunder. Ett högt summerljud hörs i 5 sekunder om larmet fungerar korrekt.

## 2. FÖRBERED DIN H-PURIFIER

### 2.1 INSTALLERA FILTER [Fig. 1]

Innan du använder din H-Purifier-produkt måste du ta bort filtret från skyddsförpackningen:

- Ta bort luftinloppsskyddet från din produkt, ta tag i de två handtagen på luftinloppsskyddet och dra det av produkten. [Fig. 1a]
- Ta bort kontakten från transportplatsen och lossa sladden från förvaringskroken. [Fig. 1b]
- Lås upp upplåsningsbrytaren för filtret. [Fig. 1c]
- Ta bort filtret från din produkt och ta bort ytterförpackningen. [Fig. 1d,e]
- Sätt tillbaka filtret i din produkt. [Fig. 1f]
- Lås upplåsningsbrytaren för filtret. [Fig. 1g]
- Sätt tillbaka luftinloppsskyddet på din produkt. [Fig. 1h]

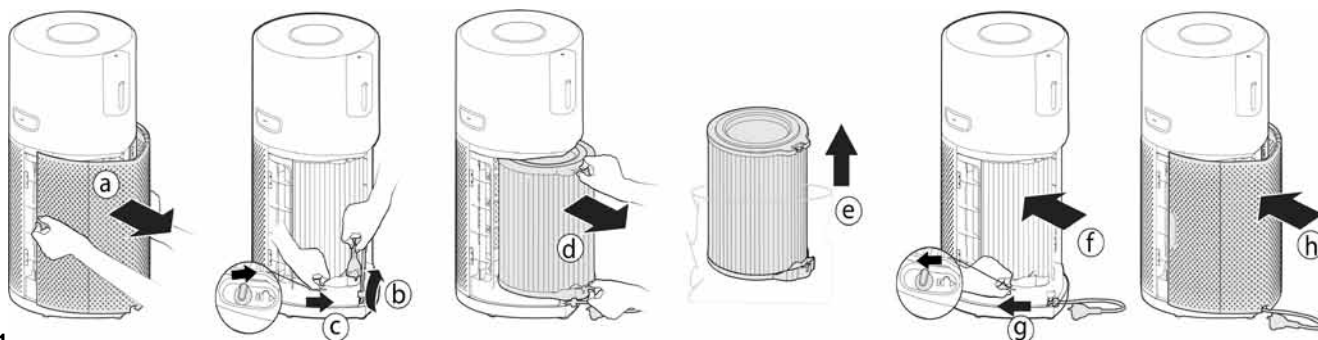


Fig. 1

### 2.2 MONTERA DIFFUSERFLASKAN [Fig. 2]

För att förbereda din H-Purifier-produkt för diffuserfunktionen:

- Ta bort diffuserskyddet från produkten. [Fig. 2a]
- Ta bort diffuserenheten från diffuserskyddet. [Fig. 2b]
- Ta bort H-Essence/ eller H-Biotics-flaskan från förpackningen och ta bort locket. [Fig. 2c]
- Spara locket för framtida lagringsanvändning.
- Skruva fast flaskan på diffuserenheten ordentligt. [Fig. 2d]
- Montera tillbaka diffuserenheten på diffuserskyddet. [Fig. 2e]
- Montera tillbaka diffuserskyddet på produkten. [Fig. 2f]

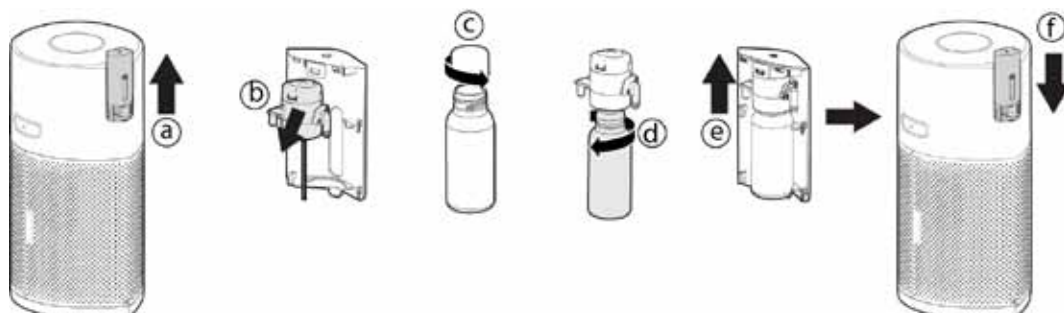


Fig. 2

### 3. ANVÄND DIN H-PURIFIER

#### 3.1 SLÅ PÅ PRODUKTEN [Fig. 4]:

Dra ut nätsladden från kabelrullen och anslut till en strömförsörjning.

All belysning på kontrollpanelen/displayen kommer att lysa fullt i ungefär 1 sekund för att ange en lyckad inkoppling.

POWER-knappen tänds svagt och CO varningslampan tänds för att indikera att den dedikerade sensorn har börjat arbeta för att övervaka kolmonoxidnivån inomhus.

För att slå på din produkt ska du trycka på strömknappen på displayen.

LED-ringen för luftkvalitet lyser genom alla färger i tur och ordning medan sensorerna analyserar lufttillståndet i realtid. Efter några sekunder väljer LED-ringen för luftkvalitet rätt färg för luftkvaliteten vid den tidpunkten.

Din H-Purifier-produkt går omedelbart in i AUTOMATISKT LÄGE och börjar rena inomhusluften.

AUTO MODE-knappen, INFORMATION-knappen, LIGHT CONTROL-knappen och PM10-information på displayen tänds.



Fig. 4

#### 3.2 ANSLUT DIN H-RENARE:

För att få tillgång till alla H-Purifier-funktioner på distans föreslås att du laddar ner hOn-appen.

Du kommer att kunna styra din produkt på det mest effektiva sättet.

##### Instruktioner:

1. Ladda ner hOn-applikationen från App Store, Google Play eller Huawei AppGallery. Du kan också ladda ner den genom att skanna QR-koden i [Fig. 5]
2. Öppna APPEN, skapa ett konto med din e-mail och ett lösenord.
3. Logga in på hOn-appen.
4. Se till att din mobila enhet är ansluten till Wi-Fi.
5. Säkerställ att din H-Purifier är påslagen Tryck och håll in Wi-Fi-knappen på displayen i 5 sekunder. Det hörs ett pip och Wi-Fi-knappen börjar blinka för att indikera att den väntar på en anslutning. [Fig. 6]
6. Följ instruktionerna i appen för att ansluta din mobila enhet till din produkt.
7. När den har parkopplats lyser Wi-Fi-knappen på produkten.
8. För att återställa Wi-Fi trycker och håller du in Wi-Fi-knappen i 5 sekunder.

H-Purifier fungerar även med Hey Google och Amazon Alexa.



Fig. 5

#### 3.3 UPPTÄCK ALLA FUNKTIONER

##### Funktionen INFORMATION [Fig. 7]:

Det finns 6 olika dataset att övervaka:

PM10, PM2.5, GAS, temperatur, luftfuktighet och filterstatus.

För att övervaka varje värde trycker du helt enkelt på knappen INFORMATION.

Som standard visar displayen PM10-data. Maskinen kommer ihåg användarens senaste val och behåller detta val nästa gång produkten slås på.

GAS-data visar en snurrmarkör under de första 3 minuterna efter att produkten slås på medan GAS-sensorn utför en kalibreringscykel.

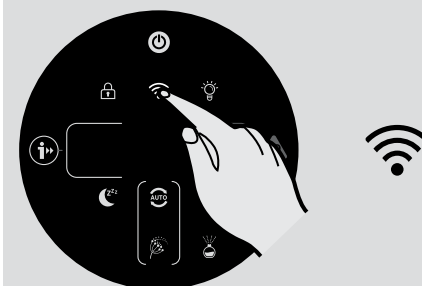


Fig. 6

##### Mer information om PM 2,5, PM 10 och GAS:

PM indikerar fina partiklar (som inte är synliga för blotta ögat) som huvudsakligen härrör från utomhusföroreningar som fordons- och industriutsläpp och som är potentiellt farliga för vår hälsa vid långvarig exponering.

PM 10 har en storlek upp till 10 µm och kan tränga in i övre luftvägarna (näsa, luftstrupe, svalg).

PM 2,5 har en storlek upp till 2,5 1/4µm och med tanke på dess lilla dimension kan de nå våra lungor och därmed tränga djupare in i vår kropp.

GAS VOC (flyktiga organiska föreningar) är flyktiga kemiska föreningar som lätt avdunstar i luften vid rumstemperatur. Deodoranter, rengöringsmedel, lim, bindemedel, kosmetika, formaldehyd är bara några av de flyktiga organiska föreningarna som kan finnas i våra hem, men som är potentiellt skadliga för vår hälsa vid långvarig exponering.

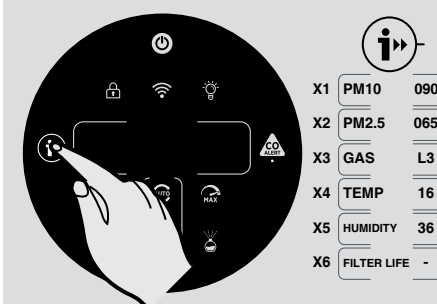


Fig. 7

##### Funktioner för LÄGE:

Det finns 3 tillgängliga luftrengöringslägen: AUTO-LÄGE, MAXLÄGE & VIOLÄGE.

Automatiskt läge är standardinställningen för din produkt när den är påslagen. Alla lägen kan väljas manuellt genom att trycka på den motsvarande knappen på displayen.

Läget POLLENALLERGI kan även aktiveras via hOn-appen.

##### AUTOMATISKT LÄGE [Fig. 8]:

Detta är standardläget för din H-Purifier-produkt när du först slår på den. I autoläge justerar H-Purifier automatiskt fläkthastigheten till den faktiska kvalitetsnivån för inomhusluft för att alltid garantera en optimal luftrening.

Detta är den rekommenderade inställningen för din produkt.

I AUTO-läge, efter 30 minuters utmärkt luftkvalitet, kommer din produkt att gå in i ECO-läge (Stand-by-funktion) genom att pausa reningsfunktionen (fläkt), multisensorsystemet fortsätter att analysera inomhusluften och automatiskt slå på reningsfunktion vid behov.



Fig. 8



Fig. 9

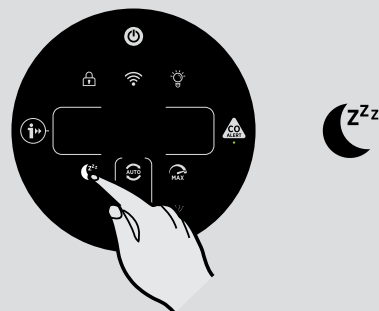


Fig. 10

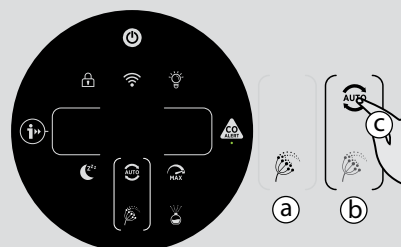


Fig. 11

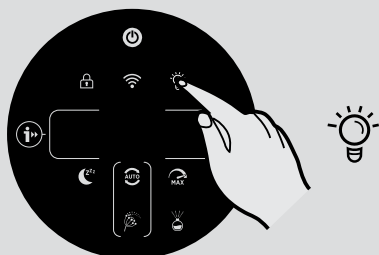


Fig. 12

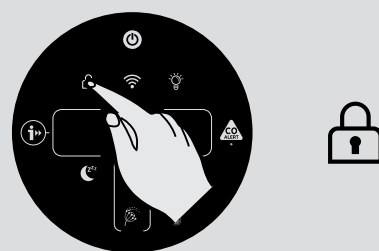


Fig. 13

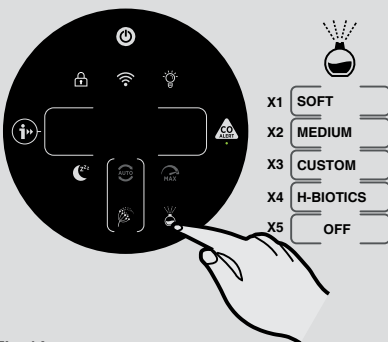


Fig. 14

**MAXLÄGE [Fig. 9]:**

Tryck på knappen för maxläge på displayen för att aktivera luftrening med inställningen maximal effekt. Välj helt enkelt det automatiska läget eller viloläget för att lämna maxläget.

**VILOLÄGE [Fig. 10]:**

Tryck på knappen för viloläge för att aktivera luftrening med inställningen tyst minimal effekt. Knappen för viloläge lyser svagt och alla andra lampor på displayen slocknar. Du kan ändra detta genom att trycka på LIGHT CONTROL-knappen.

**LÄGET FÖR POLLENALLERGI: [Fig. 11]**

Läget för pollenallergi kan bara aktiveras via hOn-appen. Du måste först aktivera och registrera en profil i appen för att skapa din pollenallergiprofil.

Läget för pollenallergi fungerar endast när det automatiska läget är valt. [Fig. 11c]

I läget för pollenallergi får apparaten kontinuerligt data i realtid från appen om den övervakade pollenkoncentrationen utomhus och den arbetar automatiskt för att maximera pollenuptagningsprestandan.

När pollen har tagits upp inaktiveras de för att lindra allergiska symtom.

När läget för pollenallergi är aktiverat i appen finns det två möjliga aviseringslampor på produktdisplayen:

- Lampan för pollenallergi är **VIT** [Fig. 11a]: Apparaten och appen övervakar förekomsten av pollen utomhus och det finns ingen risk.

- Lampan för pollenallergi blir **GUL** och cirkellampan för pollenallergi är **VIT** [Fig. 11b]: Apparaten och APPEN har upptäckt en risk.

Om produkten manuellt sätts i viloläge eller maxläge medan läget för pollenallergi är aktiverat, stoppar läget för pollenallergi.

**Funktionen LAMPKONTROLL: [Fig. 12]**

Det finns tre tillgängliga inställningar för displaybelysningen: på, dämpad och av

För att justera ljusstyrkan för displaybelysningen trycker du helt enkelt på LIGHT CONTROL-knappen på displayen för att bläddra igenom de tre tillgängliga alternativen. PÅ är standardinställningen.

Om AV väljs måste någon annan knapp tryckas ned två gånger för att kunna aktiveras. Efter ett tryck kommer lampan att bli att bli DÄMPAD, vid ett andra tryck aktiveras åtgärden.

**Funktionen BARNLÅS: [Fig. 13]**

Tryck och håll in knappen för BARNLÅS i tre sekunder för att aktivera den, ett hörbart ljud hörs när den har aktiverats och knappen BARNLÅS förblir upplyst. Inga andra knappar fungerar när den är aktiverad. För att avsluta trycker du och håller ner knappen BARNLÅS i tre sekunder, ett hörbart ljud hörs för att bekräfta att låset är av och knappen kommer inte längre att lysa.

**DIFFUSERFUNKTION: [Fig. 14]**

Diffusern sprider H-Essence eller H-Biotics i rummets luft. H-Essence är Hoover-samling av eteriska oljor som släpper ut behagliga dofter i luften.

H-Biotics är en naturlig blandning baserad på probiotika som håller rummet biohygieniserat genom att hämma tillväxten av mikroorganismer som bakterier eller mikrober.

Det finns fyra olika inställningar för DIFFUSER-funktionen, MJUK, MEDEL, SPECIAL OCH H-BIOTICS. För att aktivera den här funktionen trycker du bara på diffuserknappen på displayen.

Standardinställningen för denna funktion är MJUK. För att välja någon av de andra inställningarna trycker du bara på knappen upprepade gånger för att ändra till önskat val. Knappen lyser vitt när den är påslagen.

Det rekommenderas att använda inställningarna MJUK och MEDEL för H-Essence.

ANPASSAD inställning kan bara skapas i hOn-appen.

När du använder H-Biotics MÅSTE inställningen ställas in på H-Biotics. När användaren aktiverar H-Biotics med hjälp av APPEN ger detta en varning om "AKTIVERA H-BIOTICS" efter 120 timmar för att säkerställa H-biotics användning var femte dag.

När du använder H-Essence i vissa inställningar eller rumsmiljö kan GAS VOC-nivån ändras på grund av detekteringen av dofterna. Spridarfunktionen fungerar bara när LED-ringen för luftkvalitet är i grön färg, den kommer att pausa när LED-ringen inte är grön och fortsätter att arbeta när den återgår till grön.

Diffuserfunktionen kan endast användas i automatiskt läge och maxläge, inte i viloläget.

När Diffuser-funktionen aktiveras i AUTO-läge kommer huvudfläkten att arbeta på en specifik hastighet för att hjälpa till att sprida H-Essence eller H-Biotics i rummet.

Inställning	Spridningstid	Maximal cykelvaraktighet
MJUK	i 10 sek var 5:e min	6 timmar
MEDEL	i 90 sek var 3.5:e min	6 timmar
SPECIAL	Användardefinierad	6 timmar
H-BIOTICS	i 2 min var 4:e min	6 timmar

## 4. UNDERHÅLL DIN H-PURIFIER

### 4.1 UNDERHÅLL AV FILTER

Din H-Purifier övervakar tillståndet för ditt filter. En avisering (**RENGÖR FILTER ELLER BYT FILTER**) visas på vänster sida av displayen och en blinkande indikering visar att du måste rengöra eller byta filtret.

#### Rengöring/ersättning av filtret: [Fig. 15]

- Ta bort luftinloppsnyckeln på din produkt. [Fig. 15a]
- Lås upp upplåsningsbrytaren för filtret. [Fig. 15b]
- Ta bort filtret från din produkt. [Fig. 15c]
- Använd en dammsugare för att rengöra det yttre lagret på filtret eller ersätt med ett NYTT filter. [Fig. 15d]
- Sätt tillbaka filtret i din produkt. [Fig. 15e]
- Lås upplåsningsbrytaren för filtret. [Fig. 15f]
- Sätt tillbaka luftinloppsnyckeln på din produkt. [Fig. 15g]
- Anslut apparaten till elnätet och slå på den.
- Tryck på INFORMATION-knappen för att återställa Rengörings-/ersättningslarmet genom att hålla inne knappen i 3 sekunder, ett ljudlarm hörs för att ange lyckad återställning. [Fig. 7]

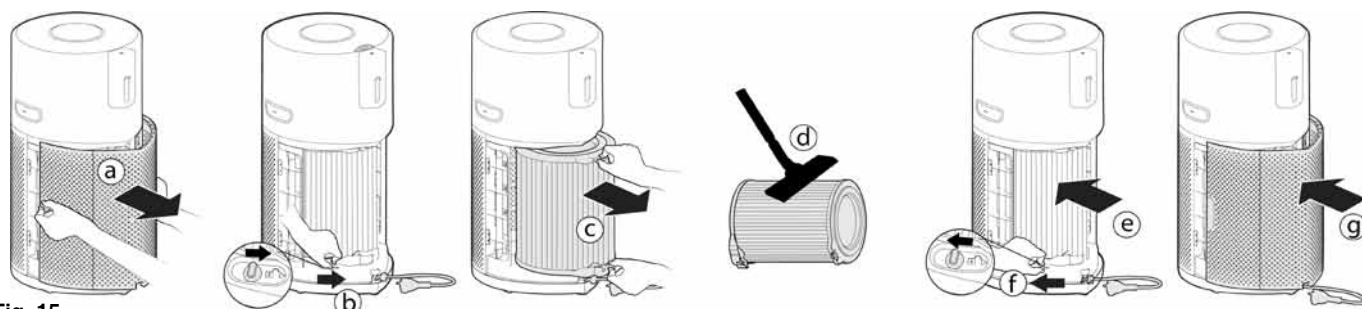


Fig. 15

### 4.2 DIFFUSERUNDERHÅLL

Efter varje användning av diffuserfunktionen ska du använda en torr mjuk trasa för att rengöra eventuella rester från produkttyterna.

#### Byte av diffuserflaska: [Fig. 16]

Vätskevolymen som finns kvar i flaskan kan kontrolleras genom diffuserfönstret. Vid behov bör flaskan bytas ut.

- Ta bort diffuserskyddet från produkten. [Fig. 16a]
- Ta bort diffuserenheten och flaskan från diffuserskyddet. [Fig. 16b]
- Skruva loss & ta bort den tomma flaskan. [Fig. 16c]
- Ta ut den nya H-Essence- eller H-Biotics-flaskan från förpackningen och ta bort locket. [Fig. 16d]
- Skruva fast den nya flaskan på diffuserenheten ordentligt. [Fig. 16e]
- Montera tillbaka diffuserenheten på diffuserskyddet. [Fig. 16f]
- Montera tillbaka diffuserskyddet på H-Purifier. [Fig. 16g]

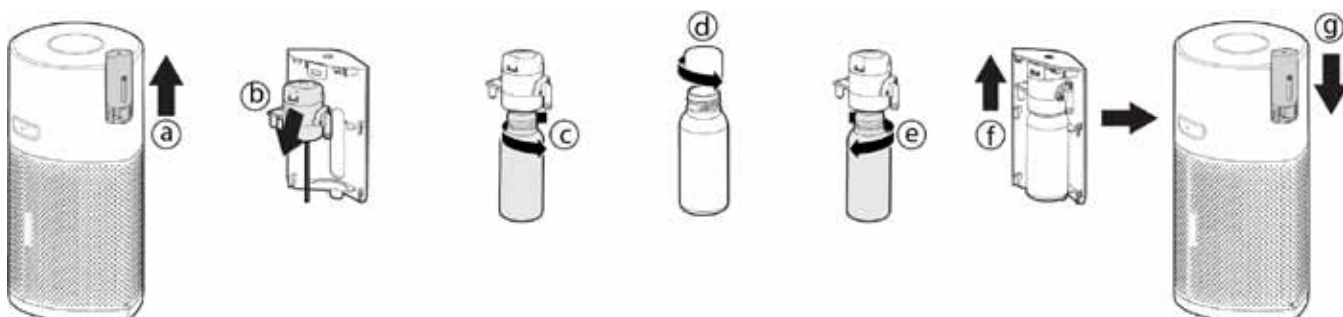


Fig. 16



## 5. LAGRA DIN H-PURIFIER

1. Stäng av H-Purifier och dra ut nätsladden.
2. Rengör den inre och yttre utan av din H-Purifier och det yttre lagret av filtret.
3. Ta bort flaskan från diffusern. Sätt tillbaka det ursprungliga locket på flaskan och förvara den skyddad mot direkt ljus. Rengör ytorna på diffusern och diffuserskyddet. Se till att det inte finns några rester av H-Essence eller H-Biotics på någon yta på luftrenaren.
4. Se till att alla komponenter är torra.
5. Ta bort luftinloppsskyddet [Fig. 17a], rulla in strömsladden genom att dra i sladden [Fig. 17b], sätt in sladden i förvaringskroken och sätt in kontakten i transportplatsen. [Fig. 17c,d] Sätt tillbaka luftinloppsskyddet. [Fig. 17e]
6. Förvara H-Purifier på en sval och torr plats.

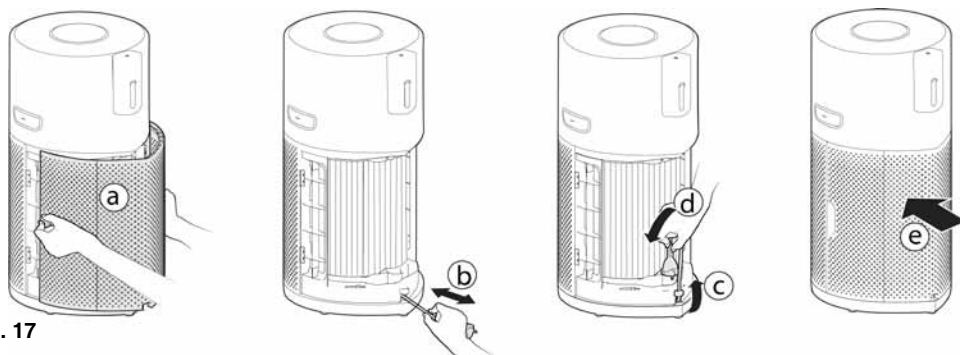


Fig. 17

## 6. VARNINGAR OCH LÖSNINGAR

Följande koder kan visas under användning. [Fig. 18]

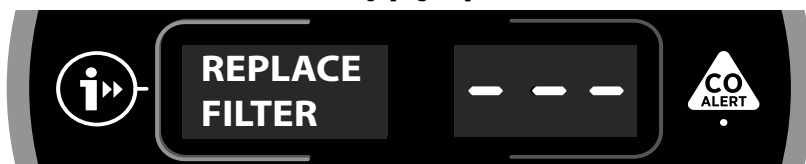


Fig. 18

Larm		Larmbeskrivning	Lösning
Larm på produkt	Varning på APPEN		
“RENGÖR FILTER”	Rengöringslarm av förfilter	Föreslå att rengöra det yttre lagret av filtret.	1. Rengör det yttre lagret av filtret. 2. Återställ larmet genom att hålla knappen INFORMATION intryckt i 3 sekunder. <b>Se 4.1 FILTERUNDERHÅLL</b>
“ERSÄTT FILTER”	Varning för filterbyte	Föreslå att du byter ut filtret.	1. Ersätt filtret. 2. Återställ larmet genom att hålla knappen INFORMATION intryckt i 3 sekunder. <b>Se 4.1 FILTERUNDERHÅLL</b>
“FILTER SAKNAS”	Fel: ett fel ha uppstått med luftrengöraren, vänligen kontrollera möjliga lösningar	Filter är ej i läge eller korrekt låst	1. Sätt tillbaka filtret om det inte finns där. 2. Om filtret är på plats, kontrollera om filterfrigöraren är på LOCK-status. <b>Se 2.1 INSTALLERA FILTERET</b>
“PM SENSORFEL”	/	PM-sensor fungerar inte	PM-sensorfel eller sensorkabel har inte anslutits väl, ring servicecenter för att åtgärda.
CO varningslampan är gul	Fel: ett fel ha uppstått med luftrengöraren, vänligen kontrollera möjliga lösningar	CO-sensor fungerar inte eller CO-sensorn överskrider dess livslängd.	Ring servicecenter för att åtgärda.
/	Fel: ett fel ha uppstått med luftrengöraren, vänligen kontrollera möjliga lösningar	Motorfel	Motorfel eller motorsladden har inte anslutits väl. Ring servicecentret för att fixa.
“TEMP. & FUKT. SENSORFEL”	/	Temperatur- och luftfuktighetssensor fungerar inte	Fel på temperatur- och fuktighetssensor eller sensorkabel har inte anslutits korrekt, ring servicecenter för att åtgärda.
“PAUS”	/	Den fungerande spridaren kommer att pausas när LED-ringen för luftkvalitet inte är grön.	Ingen åtgärd krävs. Fungerande spridare kommer att återupptas när LED-ringen för luftkvalitet är grön.

**OBSERVERA:** Om några fel kvarstår, kontakta din lokala Hoover-representant. FÖRSÖK INTE ta isär H-Purifier själv.

## 7. FELSÖKNING

Det följande är en lista över vanliga problem och lösningar.  
Om något av dessa problem kvarstår så kontakta din lokala Hoover representant.

Fläkten fungerar inte (Kontrollpanel / Displayens lampor på)	<ul style="list-style-type: none"> <li>• Kontrollera varningen som visas på displayen eller i appen. Om det finns, se <b>6. VARNINGAR OCH LÖSNINGAR</b></li> <li>• Kontrollera om det finns blockeringar i fläkten. Om det finns, koppla först bort produkten och rensa dem eller ring servicecenter för att rensa den.</li> <li>• Kontrollera om H-Purifier är på.</li> <li>• Kontrollera om filtret är korrekt installerat och i låst status.</li> <li>• Kontrollera om H-Purifier är i ett helt lodrätt läge och inte lutar.</li> <li>• H-Purifier kan vara i ECO-läge. Du kan trycka på viloläge eller maxläge för att lämna ECO-läget. Se <b>3. ANVÄNDA DIN H-PURIFIER – AUTOMATISKT LÄGE</b>.</li> </ul>
Fläkten fungerar inte (Kontrollpanel / Displayens lampor av)	<ul style="list-style-type: none"> <li>• Kontrollera om H-Purifier är ansluten till elnätet och på.</li> <li>• Kontrollera varningen som visas i appen. Om det finns, se <b>6. VARNINGAR OCH LÖSNINGAR</b></li> </ul>
Inga lampor på kontrollpanelen / Display (Fläkten fungerar)	<ul style="list-style-type: none"> <li>• I viloläge är standardinställningen för lampor av. Du kan trycka på Light Control-knappen för att tända lamporna.</li> <li>• Lamporna kan vara avstängda. Tryck på Light Control-knappen för att tända lamporna. Se <b>3. ANVÄNDA DIN H-PURIFIER – VILOLÄGE / Funktionen LAMPKONTROLL</b>.</li> </ul>
Knapparna på kontrollpanelen fungerar inte	<ul style="list-style-type: none"> <li>• Barnlås kan aktiveras. Du kan hålla ned BARNLÅS-knappen i 3 sekunder för att avsluta. Se <b>3. ANVÄNDA DIN H-PURIFIER – Funktionen BARNLÅS</b>.</li> </ul>
Luftflödet är svagt	<ul style="list-style-type: none"> <li>• Kontrollera om skyddsförpackningen har tagits bort från filtret.</li> <li>• Kontrollera om det finns blockeringar i luftinloppsskyddet eller luftutloppet.</li> <li>• Ta bort locket till luftinloppet och kontrollera filtertillståndet. Rengör det yttre lagret eller ersätt filtret vid behov. Du kan kontrollera filterets livslängd i displayen genom att trycka på informationsknappen.</li> <li>• Kontrollera om H-Purifier är i viloläge. Fläkten kör med reducerad effekt i detta läge.</li> </ul>
H-Purifier fungerar högljutt	<ul style="list-style-type: none"> <li>• Kontrollera om det finns några hinder i H-Purifier.</li> <li>• Kontrollera om H-Purifier körs i maxläge. Fläkten arbetar med maximal effekt i detta läge.</li> </ul>
H-Purifier fungerar plötsligt högt	<ul style="list-style-type: none"> <li>• Kontrollera om H-Purifier körs i auto-läge och att LED-ringen för luftkvalitet inte är grön. I autoläge justerar H-Purifier automatiskt fläkthastigheten till den faktiska kvalitetsnivån för inomhusluft. Se <b>3. ANVÄNDA DIN H-PURIFIER – AUTOMATISKT LÄGE</b>.</li> </ul>
H-Purifier ger plötsligt ifrån sig ett högt summerljud	<ul style="list-style-type: none"> <li>• Testfunktionen för CO Alert-knappen aktiveras genom felaktig användning. Ljudet stoppar automatiskt efter 5 sekunder. Se <b>1.2 KOLMONOXID (CO) LARM</b></li> </ul>

## VIKTIG INFORMATION

### HOOVER RESERVDelar OCH FÖRBRUKNINGSVAROR

Använd alltid originaldelar från Hoover vid byte. Du kan beställa delar från närmaste Hoover-återförsäljare eller direkt från Hoover. Uppge alltid modellnummer när du beställer delar.

#### Kvalitet

Hoovers fabriker har kvalitetsbedömts av oberoende organisationer.. Våra produkter tillverkas enligt ett kvalitetssystem som uppfyller kraven för ISO 9001.

#### DIN GARANTI

Garantivillkoren för produkten definieras av vår representant i det land där produkten säljs. Du kan få uppgifter om aktuella villkor från återförsäljaren. Kvittot måste visas upp när man kräver ersättning enligt garantin.

Specifikationerna kan ändras utan föregående meddelande.

## YLEISET TURVALLISUUSVAROITUKSET

Tätä laitetta tulee käyttää vain yksityiseen kotitalouskäyttöön tässä oppaassa kuvatulla tavalla. Tämän oppaan sisältö on ymmärrettävä kokonaisuudessaan ennen laitteen käyttöä ja se tulee säilyttää myöhempää käyttöä varten.

Tarkista ennen laitteen kytkemistä, vastaako laitteen kilvessä ilmoitettu jännite ja luokitukset paikallista syöttöjännitettä.

Lopeta laitteen käyttö välittömästi, jos virtajohto on vahingoittunut. Virtajohdon saa turvallisuussyistä vaihtaa vain valtuutettu HOOVER-huoltoliike.

Älä irrota pistoketta vetämällä virtajohdosta.

Asettele virtajohto niin, ettei kukaan astu tai kaadu sen päälle.

Sammuta ja irrota laite aina pistorasiasta ennen laitteen siirtämistä tai puhdistusta tai mitään huoltotoimia.

Tätä laitetta voivat käyttää yli 8-vuotiaat lapset ja henkilöt joilla on vähentynyt fyysinen, aistillinen tai henkinen kyky tai joilla ei kokemusta tai tietoja, mikäli heille on annettu ohjausta ja valvontaa koskien laitteen turvallista käyttöä ja ymmärtävät käyttöön liittyvät vaaratekijät. Lapset eivät saa leikkiä laitteella.

Käyttäjän suorittamaa puhdistusta ja huoltoa ei tule suorittaa lasten toimesta ilman valvontaa.

Laite ei poista hiilimonoksidia (CO) tai radonia (Rn). Laitetta ei saa käyttää turvalaitteena onnettomuuksissa, joihin liittyy polttoprosesseja ja vaarallisia kemikaaleja.

Älä käytä laitetta, jos se vaikuttaa vialliselta.

Älä tuki ilman tulo- tai poistoaukkoa.

Älä laita sormia tai muita esineitä ilman tulo- tai poistoaukkoon, jotta välttyt fyysisiltä vammoilta tai laitteen toimintahäiriöiltä.

Älä puhdista laitetta vedellä tai millään nesteellä tai (tulenaralla) puhdistusaineella äläkä päästä niitä laitteeseen sähköiskun ja/tai tulipalon välttämiseksi.

Älä suihkuta tulenarkoja materiaaleja, kuten hyönteismyrkkyjä tai hajusteita, laitteen ympärille.

Tämä laite ei korvaa asianmukaista ilmanvaihtoa, säännöllistä imurointia tai liesituulettimen tai tuulettimen käyttöä ruoanlaiton aikana.

Käytä ainoastaan HOOVERIN toimittamia tai suosittelemia lisävarusteita, suodattimia tai varaosia.

Varmista, että suodatin on asennettu oikein, ennen laitteen käynnistystä.

Vältä laitteen (erityisesti ilman tulo- ja poistoaukon) kolhimista kovilla esineillä.

Pidä tuote kuivana.

Älä koskaan kallista tai tyhjennä tuotetta sen käytön aikana.

Jos laitetta ei käytetä pitkään aikaan, suodattimiin voi tulla bakteerikasvustoa. Tarkista suodattimet, jos laite on ollut pitkään pois käytöstä. Jos suodattimet ovat erittäin likaiset, vaihda ne.

Laitteen käyttöturvallisuuden ja tehokkaan toiminnan varmistamiseksi suosittelemme, että huolto ja korjaukset teetetään vain valtuutetussa HOOVER-huollossa.

## KÄYTTÖYMPÄRISTÖ

Aseta tuote ja käytä sitä vain kuivalla, vakaalla, tasaisella ja vaakasuuntaisella pinnalla, jotta se ei pääse kaatumaan.

Jätä laitteen taakse ja molemmille sivuille vähintään 20 cm tyhjää tilaa ja jätä laitteen yläpuolelle vähintään 30 cm tilaa.

Vältä häiriöt sijoittamalla laite vähintään 2 m etäisyydelle sähkölaitteista, jotka käyttävät ilmassa kulkevia radioaaltoja, kuten televisiot, radiot ja radio-ohjatut kellot.

Älä laita mitään laitteen päälle.

Älä käytä tätä laitetta, kun olet käyttänyt sisätiloissa savumaisia hyönteiskarkottimia, tai paikoissa, joissa on öljyjäämiä, palavia suitsukkeita tai kemiallisia savuja.

Älä aseta laitetta mihinkään seuraavista sijainneista:

- Kuumille pinnoille, kuumien pintojen lähelle, avotuleen tai suoraan auringonvaloon, lähelle kaasulaitteita, lämmityslaitteita tai takkoja;
- Lämmityslaitteiden tai ilmastointilaitteiden aukkojen, ovien, ikkunoiden, poistotuulettimien tai liesien viereen tai suoraan yläpuolelle tai mihinkään sellaiseen paikkaan, jossa ilmavirta voi osua siihen;
- Kylpyhuoneeseen tai muille alueille, joissa tuote saattaa altistua vesiroiskeille, -valumille tai kondensaatille (esim. suoraan ilmastointilaitteen alle tai vedenkeitTIMEN yläpuolelle);
- Suljettuun tilaan (esim. kaapin sisään tai alle);
- Paikkaan, jossa lämpötila voi pudota alle  $-20\text{ °C}$ :n tai nousta yli  $50\text{ °C}$ :n;
- Huoneeseen, jonka lämpötilassa vaihtelee suuresti, kosteisiin ympäristöihin tai ympäristöihin, joissa on korkea ympäristön lämpötila tai korkea kosteuspitoisuus, kuten kylpyhuoneeseen, vessaan tai keittiöön;
- Paikkaan, jossa esim. verhot tai huonekalut voivat tukkia sen;
- Paikkaan, jossa lika tai pöly voisi tukkia anturin.

## CO-MONITORIN TURVALLISUUSOHJEET

Jos CO-hälytys aktivoituu, sinun pitää avata kaikki ikkunat ja ovet (jos se on turvallista). Sammuta kaikki polttoainekäyttöiset laitteet, jos mahdollista, ja evakuoï sitten rakennus jättäen ikkunat ja ovet auki. Jos joku saa h k myrkytyksen oireita, h net on viet v  viipym tt  l  k riin.  l  palaa rakennukseen, ennen kuin h lytys loppuu. H lytys loppuu, kun CO on poistunut.  l  k yt  polttoainek ytt isi  laitteita uudelleen, ennen kuin CO-l hde on paikannettu ja p tev  teknikko on korjannut sen.

 l  k yt  laitteen l hell  maaleja, ohentimia, liuotinh yryj , ilmanraikastimia, aerosolsuihkeita tai kemiallisia puhdistusaineita. Se voisi vaikuttaa CO monitorin toimintaan.

Aktivoi CO monitor kytkem ll  pistoke pistorasiaan. CO-h lytyksen led-valo palaa vihre n . Kun CO-monitori havaitsee CO-tason, joka ei ole turvallinen, CO-h lytys soi voimakkaasti ja CO Alert -painike ja ilmanlaadun led-rengas vilkkuvat punaisina. H lytys jatkaa soimistaan, kunnes havaittu CO palaa turvalliselle tasolle.

Kosketa [CO Alert] -painiketta 3 sekuntia testataksesi CO-h lytystoiminnon. Kova  nen h lytys kuuluu 5 sekuntia. Testaa h lytys kuukausittain ja kun olet ollut pitk n pois rakennuksesta (esim. lomalla). Jos h lytys ei aktivoidu, kun [CO Alert] -painiketta painetaan 3 sekuntia, ota yhteytt  Hooverin asiakaspalveluun ja tilaa p tev  teknikko korjaamaan vika.

Jos n yt ll  n kyy, ett  CO-anturissa on vika tai se on saavuttanut k ytt ik ns  p  tepisteen, ota yhteytt  Hooverin asiakaspalvelukeskukseen sopiaksesi CO-anturin vaihdosta valtuutetun teknikon kanssa. CO-anturin odotettu k ytt ik  on 7 vuotta ja se pit  vaihda t m n ajan j lkeen.

 l  anna pienten lasten painaa CO Alert -painiketta 3 sekuntia, jotta he eiv t altistu kovalle   nelle h lytyksen lauetessa.

K ytt tilan kosteus: 15 – 90% RH

K ytt tilan l mp tila: 0 – + 40 °C

Hiilimonoksidin vaikutuksesta kehon t rke t elimet j  v t ilman happea (tukehtuvat). Kun CO:ta hengitet n, se sitoutuu veren hemoglobiiniin, joka tavallisesti vie happea kaikkialle kehoon. CO sitoutuu jatkuvasti hemoglobiiniin happimolekyylien sijasta, jolloin t rkeimm t elimet saavat v hemm n happea. CO:n pitoisuus ja sille altistumisaika voivat vaikuttaa siihen, miten se vaikuttaa kehoon, mutta asiantuntijat ovat yht  mielt  siit , ett  altistuminen pitki  aikoja jopa alhaisille hiilimonoksiditasoille voi johtaa vakaviin ja pysyviin kokonaisvaltaisiin terveyshaittoihin.

**VAROITUS:** CO-H LYTYS ON SUUNNITELTU SUOJAAMAAN HENKIL IT  HIILIMONOKSIDILLE ALTISTUMISEN AKUUTEILTA SEURAUKSILTA TAI EST M N HIILIMONOKSIDILLE ALTISTUMISESTA SEURAAVAT KROONISET VAIKUTUKSET. SE EI SUOJAA T YDELLISESTI HENKIL IT , JOILLA ON ERITYINEN TERVEYDENTILA. JOS SINULLE HER   KYSYMYKSI , K  NNY L  K RIN PUOLEEN.

CO Monitor -toimintoa ei saa käyttää eikä sitä ole tarkoitettu käytettäväksi korvaamaan standardin EN 50291-1, UL-2034, CSA-6.19 tai muun voimassa olevan standardin mukaista sertifioidua hiilimonoksidihälytystä, kun paikalliset tai alueelliset säädökset tai lait vaativat sellaisen käyttöä. CO Monitor -toiminto on vain ylimääräinen hiilimonoksidin monitorointilaitte. Tämän laitteen käyttö on käyttäjän harkinnan varaista ja se edellyttää laitteen rajoitusten ymmärtämistä ja hyväksymistä ja säännösten tai lakien noudattamista, soveltuvin osin. Laitteen käyttö ei korvaa polttoaineella toimivaa polttolaitteen, asianmukaista ilmanvaihtoa ja poistojärjestelmää, asianmukaista asennusta, käyttöä ja kunnossapitoa. CO monitorin mobiili- ja tabletti-ilmoitukset edellyttävät toimivaa Wi-Fi-yhteyttä. Ne eivät korvaa kolmannen osapuolen hätämonitorointipalvelua.

## DIFFUUSORIN TURVALLISUUSOHJEET

Käytä vain HOOVERIN suosittelemaa tai toimittamaa aromaattista öljyä.

Vältä erillisen kostuttimen käyttöä ilmanpuhdistimen läheisyydessä käyttäessäsi H-Essencen diffuusoritoimintoa.

Pyyhi mahdolliset H-Essencen vuodot välittömästi. Varmista, että puhdistat H-Essencen kanssa kostetuksissa olleen tuotteen kaikki kulmat.

### Ympäristö

Tämä laite on merkitty sähkö- ja elektroniikkalaiteromusta annetun direktiivin 2012/19/EU (WEEE) mukaisesti. Hävittämällä tämän laitteen oikein estät mahdollisia ympäristölle ja ihmisterveydelle aiheutuvia haittavaikutuksia, joita saattaa syntyä laitteen vääränlaisen hävittämisen seurauksena.



Tässä laitteessa oleva symboli osoittaa, että laitetta ei saa hävittää kotitalousjätteenä. Se täytyy luovuttaa sähkö- ja elektroniikkalaitteiden keräyspisteeseen kierrätystä varten. Hävittäminen on suoritettava paikallisten jätteiden hävittämistä koskevien ympäristösäännösten mukaisesti. Saat lisätietoja tämän laitteen käsittelyisestä, hyötykäytöstä ja kierrätyksestä paikallisilta viranomaisilta, kotitalouksien ja muiden jätteiden jätehuollosta tai liikkeestä, josta ostit laitteen.

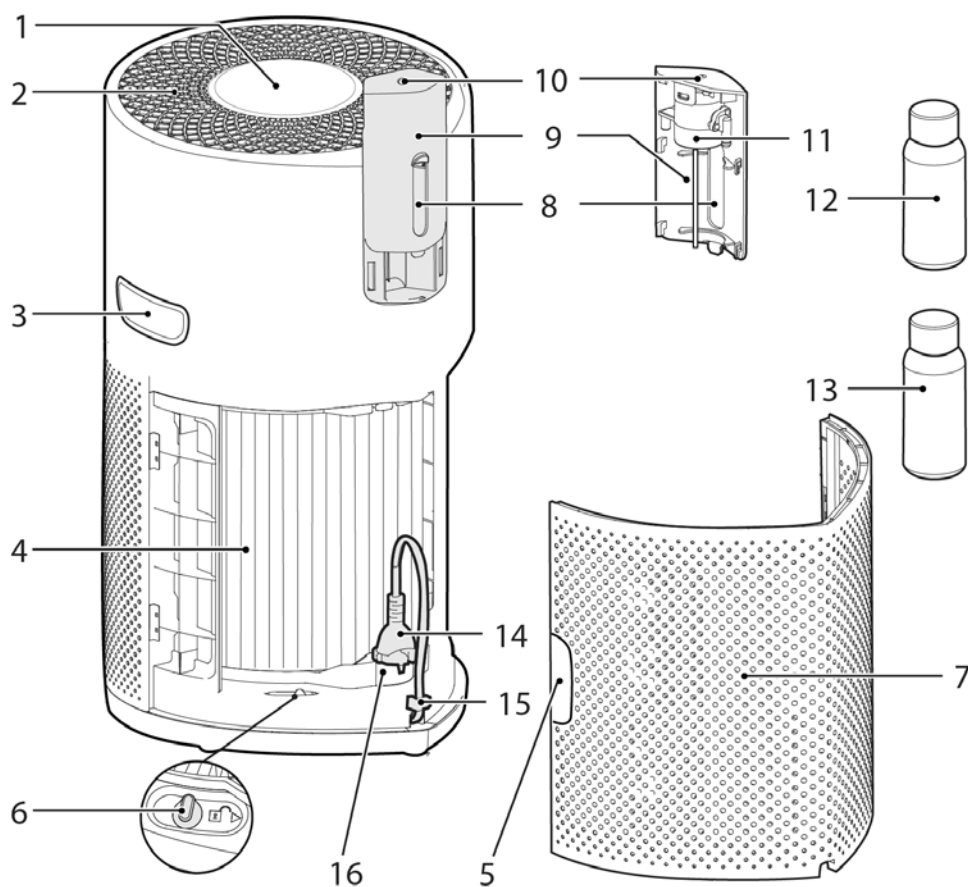
### Yhdistämisen langattomat parametrit

Teknologia	Wi-Fi	Bluetooth
Vakiomallinen	IEEE 802.11 b/g/n	Bluetooth v4.2, BLE
Taajuuskaista(t) (MHz)	2401~2483	2402~2480
Maksimiteho (mW)	100	10
Taajuusalueella kuuluva enimmäisäänenvoimakkuus	18.9 dBm	

Candy Hoover Group Srl ilmoittaa, että radiolaitteet ovat direktiivin 2014/53/EU mukaisia. EU-vaatimustenmukaisuustodistuksen koko teksti on luettavissa seuraavassa Internet-osoitteessa: [www.candy-group.com](http://www.candy-group.com)

CANDY HOOVER GROUP S.r.l. Via Privata Eden Fumagalli, 20861 Brugherio (MB) Italy

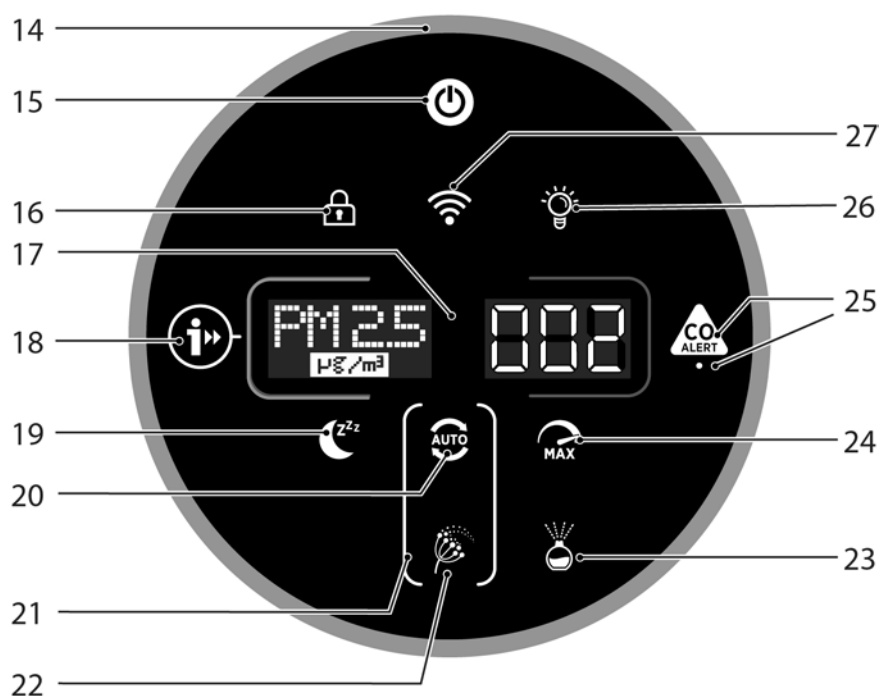
## 1. H-PURIFIERIIN TUTUSTUMINEN



1	Ohjauspaneeli / Näyttö
2	Ilmanpoistoaukko
3	Tuotteen kantokahva
4	Suodatinkokoonpano
5	Ilman sisääntulon kannen kahva
6	Suodattimen vapautuskytkin

7	Ilman sisääntulon kansi
8	Diffuusin ikkuna
9	Diffuusin kansi
10	Diffuusin ulostulo
11	Diffuusoriyksikkö

12	H-Essence-pullo
13	H-Biotics-pullo
14	Virtajohto- ja pistoke
15	Ripustuskoukku
16	Kuljetuspaikka



14	Ilmanlaadun LED Rengas
15	Virtapainike
16	Lapsilukkopainike
17	Digitaalinen näyttö
18	Tiedot-painike
19	Lepotilan painike
20	Automaattitilan painike
21	Siitepölyallergian pyöreä valo
22	Siitepölyallergian valo
23	Diffuusin painike
24	Maks.tilan painike
25	CO Alert -painike ja LED
26	Valon hallintapainike
27	Wi-Fi-painike

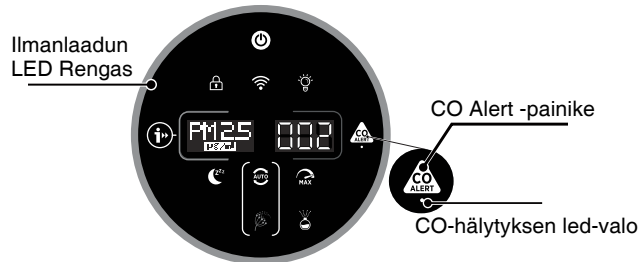
## 1.1 MONIANTURIJÄRJESTELMÄ

Usean anturin järjestelmän ansiosta tuote monitoroi jatkuvasti sisäilmanlaatua PM10-, PM2.5-arvon ja haihtuvien orgaanisten yhdisteiden (GAS) suhteen.

Aina kun käynnistät laitteen, usean anturin järjestelmä alkaa analysoidaan sisäilmanlaatua ja ilmanlaadun led-rengas palaa eri värisenä esittäen reaaliaikaisen ilmanlaadun tilan.

Ilmanlaadun led-renkaan väri	Sisäilman laatu	PM 10 -arvo* $\mu\text{g}/\text{m}^3$	PM 2.5 -arvo $\mu\text{g}/\text{m}^3$	KAASU taso
VIHREÄ	Erinomainen	0-50	0-25	L1
KELTAINEN	Tyydyttävä	50-80	25-50	L2
ORANSSI	Heikko	80-160	50-100	L3
PUNAINEN	Erittäin huono	$\geq 160$	$\geq 100$	L4

\* Siitepölyallergiatilassa PM 10 -arvot, jotka vaikuttavat ilmanlaatuun, lasketaan vaaran minimoimiseksi allergisia henkilöitä varten.



## 1.2 HÄKÄHÄLYTYS (CO)

H-Purifier on varustettu hälytysjärjestelmällä, joka monitoroi jatkuvasti sisäilmaa häkää (CO) varten.

Kun hiilimonoksidihälytys on aktivoitu, ilmanlaadun LED Rengas, Tiedot & CO Alert -painike vilkkuvat punaisena samanaikaisesti ja laite antaa äänimerkin. Hälytys jatkuu niin kauan, että hiilimonoksidin (CO) pitoisuus laskee alle arvon 50 ppm, ellei sitä mykistetä manuaalisesti painamalla CO Alert -painiketta 3 sekunnin ajan.

CO-hälytyksen led-valo näyttää CO-anturin toimintatilaa. Se näkyy vihreänä, kun CO-anturi on normaalissa tilassa, keltaisena, kun anturissa on toimintahäiriö tai sen käyttöikä on loppunut, ja punaisena, kun CO-hälytys on aktivoitu.

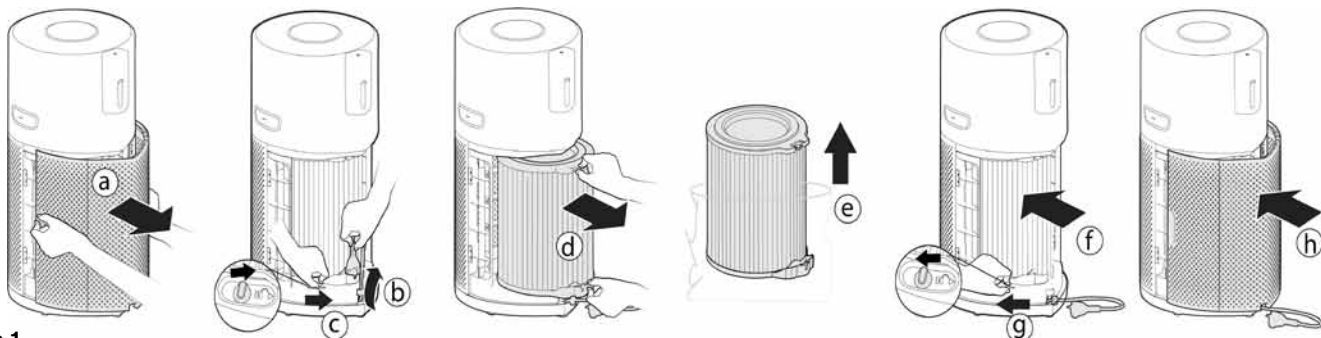
Voit testata, että hälytys toimii oikein painamalla CO-hälytyspainiketta 3 sekunnin ajan, jolloin voimakas äänimerkki käynnistyy 5 sekunnin ajaksi, jos hälytys toimii oikein.

## 2. H-PURIFIERIN VALMISTELEMINEN

### 2.1 SUODATTIMEN ASENNUS [Kuva 1]

Ennen H-Purifierin käyttöä suodatin pitää poistaa sen suoja-pakkauksesta:

- Irrota ilman sisääntulon kansi tuotteesta, tartu ilman sisääntulon kannen kahvoihin ja vedä se irti tuotteesta. [Kuva 1a]
- Irrota pistoke kuljetuspaikasta ja vapauta johto säilytyskourusta. [Kuva 1b]
- Avaa suodattimen vapautuskytkimen lukitus. [Kuva 1c]
- Poista suodatin tuotteesta ja poista ulkopakkaus. [Kuva 1d,e]
- Asenna suodatin takaisin tuotteeseen. [Kuva 1f]
- Lukitse suodattimen vapautuskytkin. [Kuva 1g]
- Asenna ilman sisääntulon kansi takaisin tuotteeseen. [Kuva 1h]

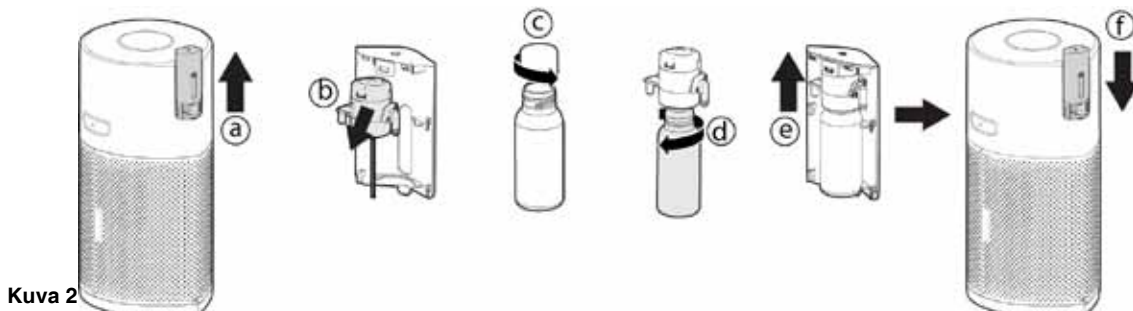


Kuva 1

### 2.2 ASENNA DIFFUUSORIPULLO [Kuva 2]

H-Purifier-tuotteen valmistelu diffuusorin toimintaa varten:

- Poista diffuusorin kansi tuotteesta. [Kuva 2a]
- Poista diffuusoriyksikkö diffuusorin kannesta. [Kuva 2b]
- Poista H-Essence- tai H-Biotics-pullo pakkauksesta ja irrota korkki. [Kuva 2c]
- Säilytä korkki tulevaa säilytyskäyttöä varten.
- Kierrä pullo tiukasti kiinni diffuusoriyksikköön. [Kuva 2d]
- Asenna diffuusoriyksikkö takaisin diffuusorin kanteen. [Kuva 2e]
- Asenna diffuusorin kansi takaisin tuotteeseen. [Kuva 2f]



Kuva 2



## 3. H-PURIFIERIN KÄYTTÖ

### 3.1 LAITTEEN KÄYNNISTÄMINEN [Kuva 4]:

Vedä virtajohto pois kelasta ja kytke se virtalähteeseen.

Kaikki ohjauspaneelin / näytön valot syttyvät noin 1 sekunnin ajaksi, mikä kertoo siitä, että laite on kytketty. Virtapainike palaa himmeästi ja CO-hälytyksen led-valo palaa merkinä siitä, että vastaava anturi on alkanut toimimaan sisätilan häkätason monitorointia varten.

Kytke tuote päälle painamalla näytön virtapainiketta.

Ilmanlaadun LED Ring syttyy kaikissa väreissä peräkkäin samalla, kun anturit analysoivat ilmaa reaaliajassa. Muutaman sekunnin kuluttua ilmanlaadun LED Rengas valitsee kyseisen ajankohdan ilmanlaatua vastaavan värin.

H-Purifier-tuote siirtyy viipymättä AUTOMAATTITILAAN ja alkaa puhdistaa sisäilmaa.

AUTO MODE -painike, INFORMATION-painike, LIGHT CONTROL -painike ja PM10:n tiedot syttyvät näytöllä.

### 3.2 H-PURIFIERIN YHDISTÄMINEN:

Suosittelemme lataamaan hOn-sovelluksen, jotta voit käyttää kaikkia H-Purifierin toimintoja mistä tahansa. Näin voit hallita tuotettasi erittäin tehokkaasti.

#### Ohjeet:

1. Lataa hOn-sovellus App Storesta, Google Playstä tai Huawei AppGallerysta. Voit myös ladata sen skannaamalla QR-koodin [kuva 5]
2. Avaa sovellus, luo tili sähköpostiosoitteellasi ja salasananalla.
3. Vahvista ja kirjaudu hOn-sovellukseen.
4. Varmista, että mobiililaitteesi on yhdistetty verkkoon.
5. Varmista, että H-Purifier on päällä. Paina näytön Wi-Fi-painiketta ja pidä se 5 sekuntia painettuna, jolloin kuulet piippauksen ja Wi-Fi-painike alkaa vilkkua ilmoittaen, että yhteyttä luodaan. [Kuva 6]
6. Yhdistä mobiililaitteesi tuotteeseen noudattamalla sovelluksessa annettuja ohjeita.
7. Kun kytkentä on tehty, tuotteen Wi-Fi-painikkeen valo jää palamaan.
8. Nollaa Wi-Fi painamalla Wi-Fi-painiketta 5 sekunnin ajan.

H-Purifier toimii myös Hey Googlen ja Amazon Alexan kanssa.

### 3.3 TUTUSTU KAIKKIIN TOIMINTOIHIN

#### TIEDOT-toiminto [Kuva 7]:

Monitoroitavaksi on saatavilla 6 eri tietosarjaa:

PM10, PM2.5, KAASU, lämpötila, kosteus ja suodattimen tila.

Kutakin arvoa voi monitoroida helposti painamalla peräkkäin TIEDOT-painiketta.

Näytössä nähdään oletuksena PM10-tiedot; kone muistaa käyttäjän viimeisen valinnan ja se on käytössä, kun laite kytketään päälle seuraavan kerran.

GAS-tiedoissa näytetään pyörivä kohdistin ensimmäisten 3 minuutin ajan sen jälkeen, kun tuote on käynnistetty GAS-anturin suorittaessa kalibrointijaksos.

#### Lisätietoja valinnoista PM 2.5, PM 10 ja GAS.

PM osoittaa pienhiukkasmäärän (ei silmin nähtävissä). Nämä tulevat pääasiassa ulkona olevista ilmansaasteista, kuten ajoneuvojen ja teollisuuden päästöistä ja ne voivat olla vaarallisia terveydelle, mikäli niille altistuu pitkäkestoisesti.

PM 10 kattaa enintään 10 µm:n kokoiset hiukkaset, jotka voivat tunkeutua ylähengitysteihin (nenään, henkitorveen ja nieluun).

PM2.5 kattaa enintään 2.5 µm:n kokoiset hiukkaset ja niiden pienen koon takia ne voivat päästä keuhkoihin asti ja tunkeutua siten syvemmälle kehoon.

GAS VOC (haihtuvat orgaaniset yhdisteet) ovat haihtuvia kemiallisia yhdisteitä, jotka voivat helposti muuttua höyryksi huoneenlämpöisessä ilmassa. Deodorantit, pesuaineet, liimat, kosmetiikka ja formaldehydi ovat esimerkkejä VOC:sta, joita voi olla kodeissa ja joista voi olla haittaa terveydelle, jos niille altistutaan pitkäaikaisesti.

#### TILA-toiminnot:

Saatavilla on 3 ilmanpuhdistustilaa: AUTO-TILA, MAX-TILA JA SLEEP-TILA.

Kun tuote kytketään päälle, automaattitila on käytössä oletusasetuksena. Kaikki tilat voi valita manuaalisesti painamalla vastaavaa painiketta näytöstä.

SIITEPÖLYALLERGIA-tila voidaan myös aktivoida hOn-sovelluksesta.

#### AUTOMAATTITILA [Kuva 8]:

Tämä tila on oletuksena käytössä, kun H-Purifier kytketään päälle ensimmäisen kerran.

Automaattisessa tilassa H-Purifier säättää automaattisesti sen puhaltimen nopeutta sisäilman todellisen ilmanlaadun tason perusteella taatakseen optimaalisen ilmanpuhdistuksen.

Tämä on tuotteen suositusten mukainen asetus.

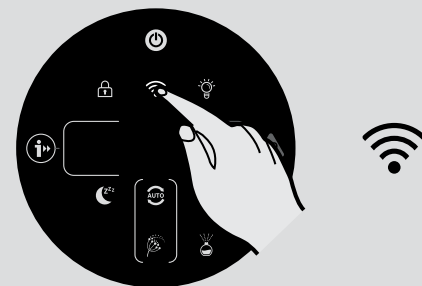
AUTO-tilassa 30 minuutin erinomaisen ilmanlaadun jälkeen tuote siirtyy ECO-tilaan (valmiustilatoimintoon) pysäyttämällä puhdistustoiminnon (puhaltimen), usean anturin järjestelmä jatkaa sisäilman analysointia ja käynnistää puhdistustoiminnon automaattisesti tarvittaessa.



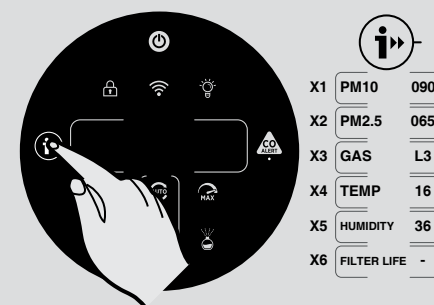
Kuva 4



Kuva 5



Kuva 6



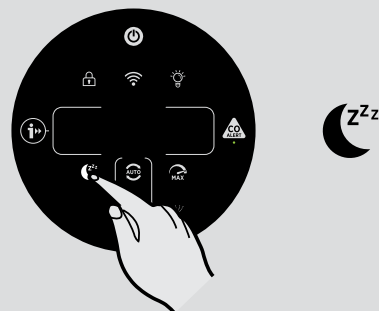
Kuva 7



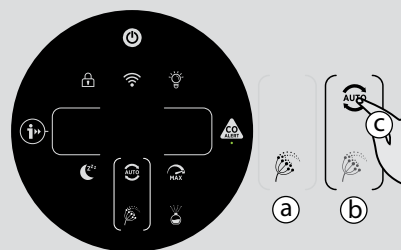
Kuva 8



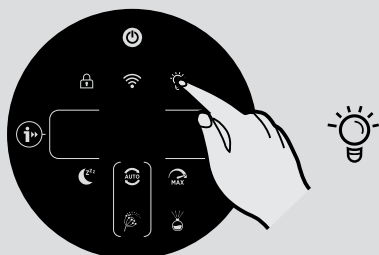
Kuva 9



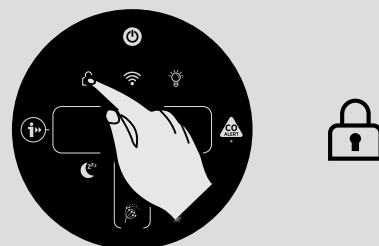
Kuva 10



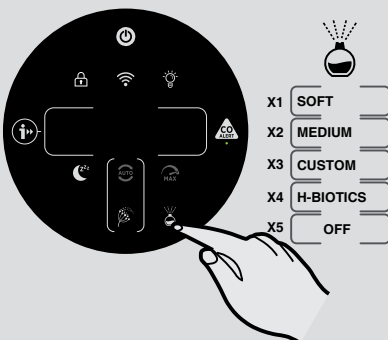
Kuva 11



Kuva 12



Kuva 13



Kuva 14

**MAKSIMITILA [Kuva 9]:**

Paina näytön MAKSIMI-tilan painiketta aktivoidaksesi ilmanpuhdistuksen maksimaalisilla tehoasetuksilla. Voit poistua MAKSIMI-tilasta helposti valitsemalla AUTOMAATTI- tai LEPO-tilan

**LEPOTILA [Kuva 10]:**

Paina LEPO-tilan painiketta aktivoidaksesi ilmanpuhdistuksen alhaisimmalla hiljaisella tehoasetuksella. LEPO-tilan painike syttyy himmeänä ja kaikki muut näytön valot ovat sammuksissa. Voit tehdä muutoksia LIGHT CONTROL -painiketta painamalla.

**SIITEPÖLYALLERGIATILA: [Kuva 11]**

Siitepölyallergiatila voidaan aktivoida vain hOn-sovelluksesta. Ensin sinun pitää aktivoida sovellus ja rekisteröidä sovellukseen profiili, jotta voit luoda siitepölyallergiaprofiilin.

Siitepölyallergiatila toimii vain, kun AUTOMAATTITILA on valittu. [Kuva 11c]

Siitepölyallergiatilassa laite vastaanottaa sovelluksesta jatkuvasti reaaliaikaisia tietoja koskien monitoroitua ulkoilman siitepölypitoisuutta, ja se toimii automaattisesti siitepölyn keräämisen maksimoimiseksi.

Kun siitepölyt on kerätty, ne inaktivoidaan allergiaoireiden helpottamiseksi.

Kun siitepölyallergiatila on aktivoitu sovelluksessa, tuotteen näytössä voi olla 2 ilmoitusvaloa:

- Siitepölyallergian valo on **VALKOINEN [Kuva 11a]**: Laite ja sovellus monitoroivat ulkoilman siitepölyä, eivätkä ne havaitse riskiä.

- Siitepölyallergian valo muuttuu **KELTAISEKSI** ja siitepölyallergian pyöreä valo on **VALKOINEN [Kuva 11b]**:

Laite ja sovellus ovat havainneet riskin.

Jos tuote kytketään manuaalisesti LEPO- tai MAKSIMI-tilaan siitepölyallergiatilan ollessa käytössä, siitepölyallergiatila keskeytyy.

**VALON HALLINTA -toiminto: [Kuva 12]**

Näytön valoille on saatavilla 3 asetusta: päällä, himmeä ja pois

Voit säätää näytön valaistuksen kirkkautta helposti painamalla näytön LIGHT CONTROL -painiketta, jolla voit valita 3 saatavilla olevasta vaihtoehdosta. Oletusasetus on PÄÄLLÄ.

Jos valitaan POIS PÄÄLTÄ, aktivointi tehdään painamalla jotakin muuta painiketta kahdesti. Yhdellä painalluksella valoista tulee HIMMEÄT, toisella painalluksella toiminto aktivoituu.

**LAPSILUKKO-toiminto: [Kuva 13]**

Aktivoi pitämällä LAPSILUKKO-painike painettuna 3 sekunnin ajan. Kun toiminto aktivoituu, kuullaan äänimerkki ja LAPSILUKKO-painikkeen valo jää palamaan. Kun tämä on aktivoitu, muut painikkeet eivät toimi.

Toiminnon voi deaktivoida helposti painamalla LAPSILUKKO-painiketta 3 sekunnin ajan. Tällöin kuullaan äänimerkki, joka varmistaa deaktivoinnin, eikä valo enää pala.

**DIFFUUSORITOIMINTO: [Kuva 14]**

Diffuusori levittää huoneilmaan H-Essence- tai H-Biotics-ainetta. H-Essence on Hooverin eteeristen öljyjen valikoima. Ne levittävät ilmaan hyvää tuoksua.

H-Biotics on luonnollinen probiootteihin perustuva sekoitus, joka pitää huoneen biohygienisoituna estämällä mikro-organismien, kuten bakteerien ja mikrobin kasvun.

DIFFUUSORI-toiminnolle on 4 eri asetusta: PEHMEÄ, KESKITASO, MUKAUTETTU JA H-BIOTICS.

Tämä toiminto aktivoidaan helposti painamalla näytön Diffuusori-painiketta. Toiminnon oletusasetus on PEHMEÄ. Muut asetukset voi valita painamalla painiketta peräkkäin halutun valinnan tekemiseksi. Painike syttyy valkoisena, kun toiminto on päällä.

H-Essencelle suositellaan asetuksia PEHMEÄ ja KESKITASO.

CUSTOM-asetus voidaan luoda vain hOn-sovelluksella.

Kun käytössä on H-Biotics, asetukseksi PITÄÄ valita H-Biotics. Kun käyttäjä aktivoi H-Biotics-valinnan sovellusta käyttämällä, tämä antaa hälytyksen "AKTIVOI H-BIOTICS" 120 tunnin kuluttua sen varmistamiseksi, että H-biotics-valintaa käytetään 5 päivän välein.

Kun H-Essence-tuotetta käytetään tietyillä asetuksilla tai huoneympäristössä, GAS VOC -taso saattaa muuttua hajusteiden havaitsemisen takia. Diffusoritoiminto toimii vain, kun ilmanlaadun led-rengas on vihreänä. Se pysähtyy, kun led-rengas ei ole vihreä ja jatkaa toimintaansa, kun se palaa vihreäksi.

Diffusori-toimintoa voi käyttää vain AUTOMAATTI- ja MAKSIMI-tiloissa; sitä ei voi käyttää LEPO-tilassa.

Kun diffusoritoiminto otetaan käyttöön AUTO-tilassa, pääpuhallin toimii tietyllä nopeudella auttaakseen H-Essenceä tai H-Bioticsia kattamaan koko huoneen.

Asetus	Diffusorin ajastus	Syklin maks. kesto
PEHMEÄ	10 sekuntia 5 minuutin välein	6 tuntia
KESKITASO	90 sekuntia 3,5 minuutin välein	6 tuntia
MUKAUTETTU	Käyttäjän määrittämä	6 tuntia
H-BIOTICS	2 minuuttia 4 minuutin välein	6 tuntia

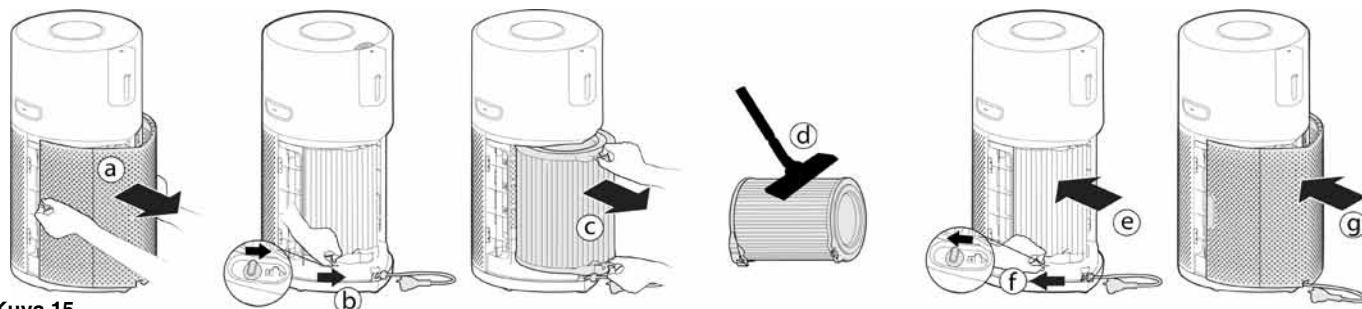
## 4. H-PURIFIERIN KUNNOSSAPITO

### 4.1 SUODATTIMEN HUOLTO

H-Purifier monitoroi suodattimen tilaa. Näytön vasempaan reunaan tulee ilmoitus **PUHDISTA SUODATIN TAI VAIHDA SUODATIN** ja vaadittava toimenpide, suodattimen puhdistus tai vaihto, ilmoitetaan vilkkuvalla merkillä.

**Suodattimen vaihto/puhdistus:** [Kuva 15]

- Irrota ilman sisääntulon kansi tuotteesta. [Kuva 15a]
- Avaa suodattimen vapautuskytkimen lukitus. [Kuva 15b]
- Poista suodatin tuotteesta. [Kuva 15c]
- Käytä imuria puhdistaksesi suodattimen ulkokerros tai vaihda UUSI suodatin. [Kuva 15d]
- Asenna suodatin takaisin tuotteeseen. [Kuva 15e]
- Lukitse suodattimen vapautuskytkin. [Kuva 15f]
- Asenna ilman sisääntulon kansi takaisin tuotteeseen. [Kuva 15g]
- Kytke laite virtalähteeseen ja kytke se päälle.
- Paina INFORMATION-painiketta nollataksesi puhdistuksen/vaihdon hälytys painamalla painiketta 3 sekunnin ajan. Kuulet äänimerkin onnistuneen nollauksen merkiksi. [Kuva 7]



Kuva 15

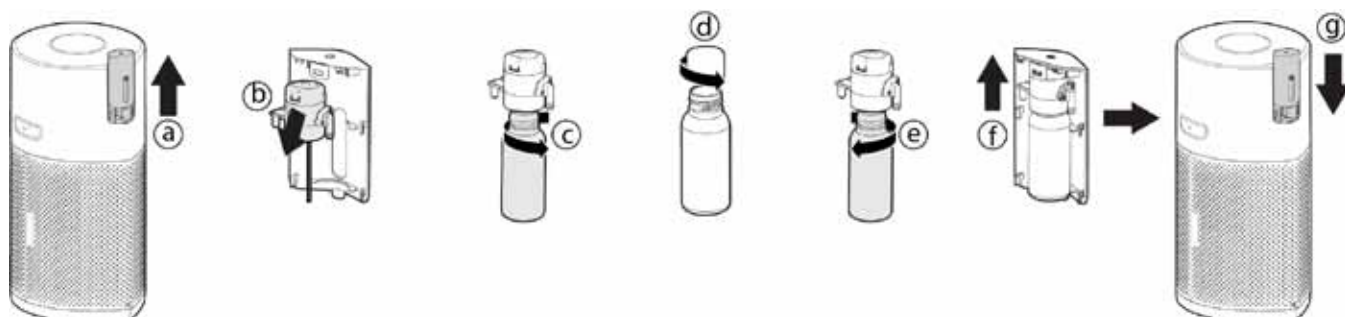
### 4.2 DIFFUUSORIN KUNNOSSAPITO

Joka kerta, kun diffusoritoimintoa on käytetty, laitteen pinnat pitää puhdistaa kuivalla, pehmeällä liinalla mahdollisten jäämien poistamiseksi.

**Diffusoripullon vaihto:** [Kuva 16]

Pullossa jäljellä olevan nesteen määrä voidaan tarkistaa diffusorin ikkunasta. Tarvittaessa pullo pitää vaihtaa.

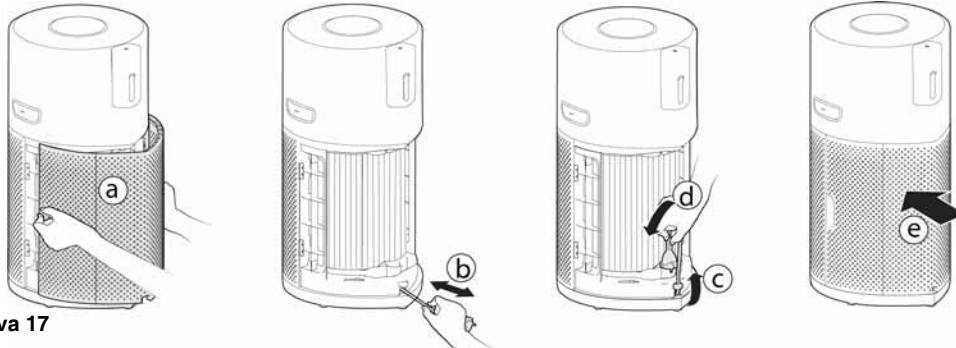
- Poista diffusorin kansi tuotteesta. [Kuva 16a]
- Poista diffusoriryksikkö ja pullo diffusorin kannesta. [Kuva 16b]
- Ruuvaa pois ja poista tyhjä pullo. [Kuva 16c]
- Poista uusi H-Essence- tai H-Biotics-pullo pakkauksesta ja irrota korkki. [Kuva 16d]
- Kierrä uusi pullo tiukasti kiinni diffusoriryksikköön. [Kuva 16e]
- Asenna diffusoriryksikkö takaisin diffusorin kanteen. [Kuva 16f]
- Asenna diffusorin kansi takaisin H-Purifieriin. [Kuva 16g]



Kuva 16

## 5. H-PURIFIERIN VARASTOINTI

1. Sammuta H-Purifier ja irrota virtajohto.
2. Puhdista kaikki H-Purifierin sisä- ja ulkopinnat sekä suodattimen ulkokerros.
3. Poista pullo diffuuserista. Laita pulloon sen alkuperäinen korkki ja varastoi se suojaan suoralta valolta. Puhdista diffuuseriyksikön pinnat ja diffuuserin kansi. Varmista, ettei H-Purifierin pinnoilla ole jäämiä H-Essencestä tai H-Bioticsista.
4. Varmista, että kaikki osat ovat kuivia.
5. Irrota ilman sisääntulon kansi [Fig. 17a], kierrä virtajohto kelaan johdosta vetämällä [Fig. 17b], aseta johto säilytyskoukkuun ja kiinnitä pistoke sen kuljetuspaikkaan. [Kuva 17c,d] Asenna ilman sisääntulon kansi takaisin. [Kuva 17e]
6. Säilytä H-Purifieria viileässä ja kuivassa paikassa.



Kuva 17

## 6. HÄLYTYKSET JA KORJAUSTOIMET

Käytön aikana laitteessa saatetaan nähdä seuraavat koodit. [Kuva 18]



Kuva 18

Hälytys		Hälytyksen kuvaus	Ratkaisu
Hälytys tuotteessa	Hälytys sovelluksessa		
“CLEAN FILTER (PUHDISTA SUODATIN)”	Esisuodattimen puhdistushälytys	Suosittellee puhdistamaan suodattimen ulkokerroksen.	1. Puhdista suodattimen ulkokerros. 2. Nollaa hälytys painamalla INFORMATION-painiketta 3 sekunnin ajan. <b>Tutustu kohtaan 4.1 SUODATTIMEN KUNNOSSAPITO</b>
“REPLACE FILTER (VAIHDA SUODATIN)”	Suodattimen vaihtoa koskeva hälytys	Suosittellee vaihtamaan suodattimen.	1. Vaihda suodatin. 2. Nollaa hälytys painamalla INFORMATION-painiketta 3 sekunnin ajan. <b>Tutustu kohtaan 4.1 SUODATTIMEN KUNNOSSAPITO</b>
“FILTER MISSING (EI SUODATINTA)”	Virhe: ilmanpuhdistimeen liittyvä virhe. Tarkista mahdolliset ratkaisut	Suodatin ei ole paikoillaan tai sitä ei ole lukittu oikein	1. Jos suodatin ei ole asennettuna, laita se takaisin. 2. Jos suodatin on paikoillaan, tarkista onko suodattimen vapautuskytkin LOCK-tilassa. <b>Tutustu kohtaan 2.1 SUODATTIMEN ASENNUKSEEN</b>
“PM SENSOR ERROR (PM-ANTURIN VIRHE)”	/	PM-anturin toimintahäiriö	PM-anturin vika tai anturin johtoa ei ole kytketty kunnolla. Soita huoltokeskukseen korjaamista varten.
CO-hälytyksen led-valo on keltainen	Virhe: ilmanpuhdistimeen liittyvä virhe. Tarkista mahdolliset ratkaisut	CO-anturin toimintahäiriö tai CO-anturi on saapunut käyttöikänsä päätepisteeseen.	Soita huoltokeskukseen korjaamista varten.
/	Virhe: ilmanpuhdistimeen liittyvä virhe. Tarkista mahdolliset ratkaisut	Moottorin häiriö	Moottorin häiriö tai moottorin johtoa ei ole kytketty oikein: ota yhteyttä huoltoon tilanteen korjaamiseksi.
“TEMP. & HUMI. SENSOR ERROR (LÄMPÖTILA- JA KOSTEUSANTURIN VIRHE)”	/	Lämpötila- ja kosteusanturin toimintahäiriö	Lämpötila- ja kosteusanturin vika tai anturin johtoa ei ole kytketty kunnolla. Soita huoltokeskukseen korjaamista varten.
“PAUSE (TAUKO)”	/	Diffuuserin käyttö keskeytetään, kun ilmanlaadun led-rengas ei ole vihreä.	Ei vaadi toimenpiteitä. Diffuuserin käyttö jatkuu, kun ilmanlaadun led-rengas on vihreä.

**HUOMIO:** Jos mikään näistä ongelmista on jatkuva, ota yhteys Hoover-jälleenmyyjääsi. ÄLÄ yritä purkaa H-Purifieria itse.

## 7. VIANMÄÄRITYS

Seuraavana on lista normaaleista vikatilanteista ja ratkaisuksista.

Jos mikään näistä ongelmista on jatkuva ota yhteyttä paikalliseen Hoover-huoltoliikkeeseen.

Tuuletin ei toimi (Ohjauspaneeli / Näytön valot palavat)	<ul style="list-style-type: none"> <li>Tarkista näytössä tai sovelluksessa näytetty hälytys Jos sellaisia on, katso kohta <b>6. HÄLYTYKSET JA RATKAISUT</b>.</li> <li>Tarkista, onko tuulettimessa tukkeita. Jos niitä on, irrota tuotteen johto ja puhdista ne tai soita huoltokeskukseen puhdistusta varten.</li> <li>Tarkista, onko H-Purifier kytketty päälle.</li> <li>Tarkista, onko suodatin oikein asennettu ja onko se lukitussa tilassa.</li> <li>Tarkista, onko H-Purifier täysin pystyasennossa ja ettei se ole kallellaan.</li> <li>H-Purifier saattaa olla ECO-tilassa. Voit painaa Sleep-tilapainiketta tai Max-tilapainiketta poistuaksesi ECO-tilasta. Tutustu kohtaan <b>3. H-PURIFIERIN KÄYTTÖ – AUTOMAATTITILA</b>.</li> </ul>
Tuuletin ei toimi (Ohjauspaneeli / Näytön valot eivät pala)	<ul style="list-style-type: none"> <li>Tarkista, onko H-Purifierin pistoke kytketty ja laite päällä.</li> <li>Katso sovelluksessa näkyvä hälytys. Jos sellaisia on, katso kohta <b>6. HÄLYTYKSET JA RATKAISUT</b>.</li> </ul>
Ohjauspaneelissa ei pala valoja / Näyttö (Tuulettimen toiminta)	<ul style="list-style-type: none"> <li>Sleep-tilassa oletusvaloasetus on sammutettu. Voit painaa valon hallintapainiketta sytyttääksesi valot.</li> <li>Valot saattavat olla sammutetut. Paina valon hallintapainiketta sytyttääksesi valot. Tutustu kohtaan <b>3. H-PURIFIERIN KÄYTTÖ – LEPOTILA / VALON HALLINTA -toiminto</b>.</li> </ul>
Ohjauspaneelin painikkeet eivät toimi	<ul style="list-style-type: none"> <li>Lapsilukko saattaa olla päällä. Voit painaa ja pitää painettuna LAPSILUKKO-painiketta 3 sekunnin ajan poistuaksesi. Tutustu kohtaan <b>3. H-PURIFIERIN KÄYTTÖ – LAPSILUKKO-toiminto</b>.</li> </ul>
Ilmavirtaus on heikko	<ul style="list-style-type: none"> <li>Tarkista, onko suodattimen suojauspoistettu.</li> <li>Tarkista, onko ilman sisääntulon kannessa tai ilman poistoaukossa tukoksia.</li> <li>Poista ilman sisääntulon kansi ja tarkista suodattimen kunto. Puhdista suodattimen ulkokerros tai vaihda suodatin tarvittaessa. Voit tarkistaa suodattimen käyttöiän tilan näytöltä painamalla Information-painiketta.</li> <li>Tarkista, onko H-Purifier lepotilassa. Tuuletin toimii tässä tilassa alhaisella teholla.</li> </ul>
H-Purifier pitää melua toimiessaan	<ul style="list-style-type: none"> <li>Tarkista, onko H-Purifierissa tukoksia.</li> <li>Tarkista, toimiiko H-Purifier Max-tilassa. Puhallin toimii ensimmäisteholla tässä tilassa.</li> </ul>
H-Purifier pitää yhtäkkiä melua toimiessaan	<ul style="list-style-type: none"> <li>Tarkista, toimiiko H-Purifier Auto-tilassa ja onko ilmanlaadun led-rengas vihreä. Automaattisessa tilassa H-Purifier säättää automaattisesti sen puhaltimen nopeutta sisäilman todellisen ilmanlaadun tason perusteella. Tutustu kohtaan <b>3. H-PURIFIERIN KÄYTTÖ – AUTOMAATTITILA</b>.</li> </ul>
H-Purifierista kuuluu yhtäkkiä voimakas summerin ääni	<ul style="list-style-type: none"> <li>CO-hälytyspainikkeen testitoiminto on käynnistynyt virheellisesti. Äänimerkki sammuu automaattisesti 5 sekunnin kuluttua. Tutustu kohtaan <b>1.2 HÄKÄHÄLYTYS (CO)</b></li> </ul>

## TÄRKEÄÄ TIETOA

### HOOVER-VARAOSAT JA -TARVIKKEET

Käytä vain alkuperäisiä Hoover-varaosia. Niitä on saatavana paikalliselta Hoover-jälleenmyyjältä tai valtuutetusta huoltoliikkeestä. Mainitse varaosatilauksen yhteydessä laitteen tyyppinumero.

### Laatu

Hooverin tehtaat on arvioitu laadun suhteen riippumattoman tahon toimesta.. Tuotantoprosessimme täyttävät ISO 9001 -laatujärjestelmän vaatimukset.

### TAKUU

Tämän laitteen takuehdot määrittelee ostamaan Hoover-edustaja. Yksityiskohtaiset tiedot näistä ehdoista saa laitteen myyneeltä jälleenmyyjältä. Tämän takuun mukaisia vaateita esitettäessä on esitettävä myyntitodistus tai ostokuitti.

Oikeus muutoksiin pidätetään.

## ОБЩИЕ ПРЕДУПРЕЖДЕНИЯ ПО ТЕХНИКЕ БЕЗОПАСНОСТИ

Данный прибор следует использовать только в бытовых условиях как описано в настоящем руководстве пользователя. Прежде чем приступать к работе с прибором, обязательно ознакомьтесь с настоящим руководством и сохраните его для справки в дальнейшем.

Прежде чем подключать прибор, проверьте, совпадают ли значения напряжения и номинальных параметров, указанные на табличке прибора с параметрами местной сети питания.

Если провод питания поврежден, немедленно отключите прибор. Во избежание угрозы безопасности замену провода питания должен проводить только мастер авторизованной сервисной службы HOOVER.

Не тяните вилку из розетки за шнур.

Шнур питания необходимо проложить таким образом, чтобы на него никто не наступал и не мог зацепиться за него.

Перед перемещением, очисткой или обслуживанием прибора всегда вынимайте вилку из розетки.

Данный прибор не предназначен для использования лицами (включая детей) с пониженными физическими, психическими или умственными способностями или при отсутствии у них опыта или знаний, если они не находятся под контролем или не проинструктированы об использовании прибора лицом, отвечающим за их безопасность. Дети должны находиться под присмотром для недопущения игры с прибором.

Все упаковочные материалы должны храниться в недоступном для детей месте (риск удушья).

Прибор не удаляет угарный газ (CO) или радон (Rn). Его нельзя использовать как средство безопасности при аварийных ситуациях, связанных с процессом горения и опасными химическими веществами.

В случае неисправности не следует продолжать пользоваться прибором.

Не закрывайте отверстия забора и выпуска воздуха.

Не вставляйте пальцы или предметы в блоки забора и выпуска воздуха во избежание получения травмы или поломки прибора.

Не очищайте прибор водой, другими жидкостями или горючими моющими средствами и не допускайте их попадания в прибор во избежание поражения электрическим током и/или пожара.

Не распыляйте никаких горючих материалов, таких как инсектициды или дезодоранты вокруг прибора.

Данный прибор не является заменой приемлемой вентиляции, регулярной уборки, вытяжки или вентилятора в процессе приготовления.

Используйте только те расходные материалы, фильтры или запасные части, которые рекомендует или поставляет HOOVER.

Убедитесь, что фильтр правильно установлен, прежде чем включать прибор.

Не допускайте ударов по прибору (в частности, по блокам забора и выпуска воздуха) твердыми предметами.

Прибор должен быть сухим.

Никогда не наклоняйте и не опорожняйте прибор в процессе работы.

Если прибор не используется длительное время, на фильтрах могут размножаться бактерии. Проверяйте фильтры после длительного периода простоя. Если фильтры слишком загрязнены, замените их.

Для гарантии безопасной и надежной работы данного прибора мы рекомендуем приглашать авторизованных инженеров сервисной службы HOOVER для выполнения технического обслуживания и ремонта.

## СРЕДА ЭКСПЛУАТАЦИИ

Размещайте прибор и пользуйтесь им на сухой, устойчивой, горизонтальной поверхности, чтобы исключить вероятность опрокидывания.

Оставьте не менее 20 см свободного пространства за прибором и с обеих сторон от него и не менее 30 см – спереди.

Во избежание помех разместите прибор на расстоянии не менее 2 м от электрических устройств, в которых используются радиоволны, таких как телевизоры, радиоприемники и часы на радиуправлении.

Не ставьте ничего сверху прибора.

Не пользуйтесь этим прибором после применения дымового репеллента для помещений или в местах, где в воздухе содержатся остатки масла, пепел или химический дым.

Не размещайте прибор в каком-либо из следующих мест:

- На горячих поверхностях и вблизи них, рядом с открытым огнем или под прямыми солнечными лучами, вблизи газовых устройств, нагревательных приборов или каминов;
- Вблизи или непосредственно над обогревателями или кондиционерами воздуха, дверьми, окнами, вытяжными вентиляторами, кухонными плитами или в других местах, где возможны сквозняки;
- В ванной комнате или в другом месте, где на прибор могут попасть брызги воды, капли или конденсат (например, непосредственно под кондиционером воздуха или над электрическим чайником);
- В замкнутом пространстве (например, в шкафу или под ним);
- В тех регионах, где температура может опускаться ниже  $-20^{\circ}\text{C}$  или подниматься выше  $50^{\circ}\text{C}$ ;
- В помещении с резкими перепадами температуры, влажной атмосферой или высокой температурой или влажностью, например в ваннах, туалетах или на кухнях;
- В местах, где возможна блокировка прибора, например шторами или мебелью;
- В местах, где грязь или пыль могут блокировать датчик.

#### ИНСТРУКЦИИ ПО БЕЗОПАСНОЙ РАБОТЕ ДАТЧИКА УГАРНОГО ГАЗА (CO)

При сигнализации о содержании угарного газа откройте все окна и двери (если это безопасно). Отключите все приборы, работающие на горючем топливе, если это возможно, а затем эвакуируйте людей из помещения, оставив окна и двери открытыми. Обратитесь за неотложной медицинской помощью при наличии у кого-либо признаков отравления угарным газом. Не входите в помещение, пока не отключится сигнализация. Сигнализация отключается сразу же, как только угарный газ выветривается. Не включайте приборы, работающие на горючем топливе, пока не установлен источник CO и не устранена причина его образования квалифицированным специалистом.

Старайтесь не пользоваться красками, разбавителями, растворителями, освежителями воздуха, аэрозольными распылителями или химическими очистителями вблизи прибора. Это может повлиять на работу монитора CO.

Для включения мониторинга содержания CO вставьте вилку в розетку. Светодиодный индикатор CO Alert загорается зеленым. Если монитор CO обнаруживает небезопасный уровень CO, срабатывает звуковая сигнализация, а кнопка CO Alert и LED Ring качества воздуха начинают мигать красным. Сигнализация работает до тех пор, пока установленное повышение угарного газа CO не снизится до безопасного уровня.

Нажмите и удерживайте кнопку [CO Alert] в течение 3 секунд, чтобы проверить срабатывание тревоги CO; при этом на 5 секунд должна включиться громкая сигнализация. Ежемесячно проверяйте сигнализацию, а также после длительного отсутствия в здании (например, на праздники). Если при нажатии кнопки [CO Alert] в течение 3 секунд сигнализация не срабатывает, обратитесь в центр обслуживания клиентов Hoover за консультацией квалифицированного специалиста и ремонтом.

Если на дисплей выводится ошибка датчика CO или истекает срок его службы, обратитесь в центр обслуживания клиентов Hoover за консультацией квалифицированного специалиста или заменой датчика. Предполагаемый срок службы датчика CO, по истечению которого его необходимо заменить, составляет 7 лет.

Не разрешайте маленьким детям нажимать на кнопку CO Alert в течение 3 секунд, поскольку в результате раздастся очень громкий звук.

Рабочая влажность: 15 – 90% RH

Рабочая температура: от  $0^{\circ}\text{C}$  до  $+40^{\circ}\text{C}$

Угарный газ влияет на организм, лишая жизненно важные органы кислорода.



При вдыхании CO связывается гемоглобином крови, вместо кислорода, который он переносит по организму в обычных условиях. CO постоянно вытесняет способность молекул кислорода связываться с гемоглобином, тем самым сокращая его поступление к жизненно важным органам. Степень влияния CO на организм зависит от уровня концентрации и времени воздействия, однако эксперты единодушны в том, что воздействие даже низкого уровня угарного газа в течение длительного времени может оказывать серьезное долгосрочное влияние на общее состояние здоровья.

**ВНИМАНИЕ:** ДАТЧИК ПРЕДНАЗНАЧЕН ДЛЯ ЗАЩИТЫ ЛЮДЕЙ ОТ ОСТРОГО ОТРАВЛЕНИЯ УГАРНЫМ ГАЗОМ ИЛИ ПРЕДОТВРАЩЕНИЯ ХРОНИЧЕСКОГО ВОЗДЕЙСТВИЯ. ОН НЕ ОБЕСПЕЧИВАЕТ АБСОЛЮТНОЙ ЗАЩИТЫ ОТ СПЕЦИФИЧЕСКИХ МЕДИЦИНСКИХ СОСТОЯНИЙ. В СЛУЧАЕ СОМНЕНИЙ ПРОКОНСУЛЬТИРУЙТЕСЬ С ВРАЧОМ.

Функцию монитора CO не следует использовать или предполагать ее использование в качестве замены сигнализации содержания угарного газа согласно стандарту EN 50291-1, UL-2034, CSA-6.19 или любому другому стандарту, если этого требуют местные или региональные нормы. Функция мониторинга CO может использоваться только как дополнение к специальному устройству обнаружению угарного газа. Владелец прибора пользуется им на свое усмотрение, что предполагает понимание и согласие с его ограничениями и соблюдение соответствующих норм и правил.

Этим прибором не следует считать заменой правильному монтажу, использованию и техническому обслуживанию приборов, работающих на горючем топливе, включая необходимую вентиляцию и вытяжные системы.

Для передачи сигналов монитора CO на мобильный телефон и планшет необходимо работающее соединение Wi-Fi. Такие сигналы не являются заменой служб аварийного мониторинга третьих сторон.

**ИНСТРУКЦИИ ПО БЕЗОПАСНОЙ РАБОТЕ ДИФФУЗОРА**

Используйте только те ароматические масла, которые рекомендуются или поставляются HOOVER. Не пользуйтесь увлажнителем вблизи очистителя воздуха во время использования диффузора с H-Essence.

Незамедлительно вытирайте все разливания H-Essence. Обязательно очистите все углы прибора, контактировавшие с H-Essence.

**Окружающая среда**

Прибор маркируется согласно Европейской директиве 2012/19/EU по отходам электрического и электронного оборудования (WEEE). Соблюдая правила утилизации данного электроприбора, вы помогаете предотвратить возможные отрицательные последствия для окружающей среды и здоровья человека, которые могли бы иметь место при неправильной утилизации данного устройства.

Символ на данном приборе указывает на то, что его нельзя утилизировать вместе с бытовыми отходами. Его необходимо сдавать в соответствующий пункт приема для дальнейшей переработки электрических и электронных частей. Утилизация должна проводиться в соответствии с местными правилами по защите окружающей среды и утилизации отходов. За более подробной информацией по обращению с данным прибором, его утилизации и переработке обратитесь в местные органы власти, в службу утилизации отходов или в магазин, где вы приобрели данный прибор.



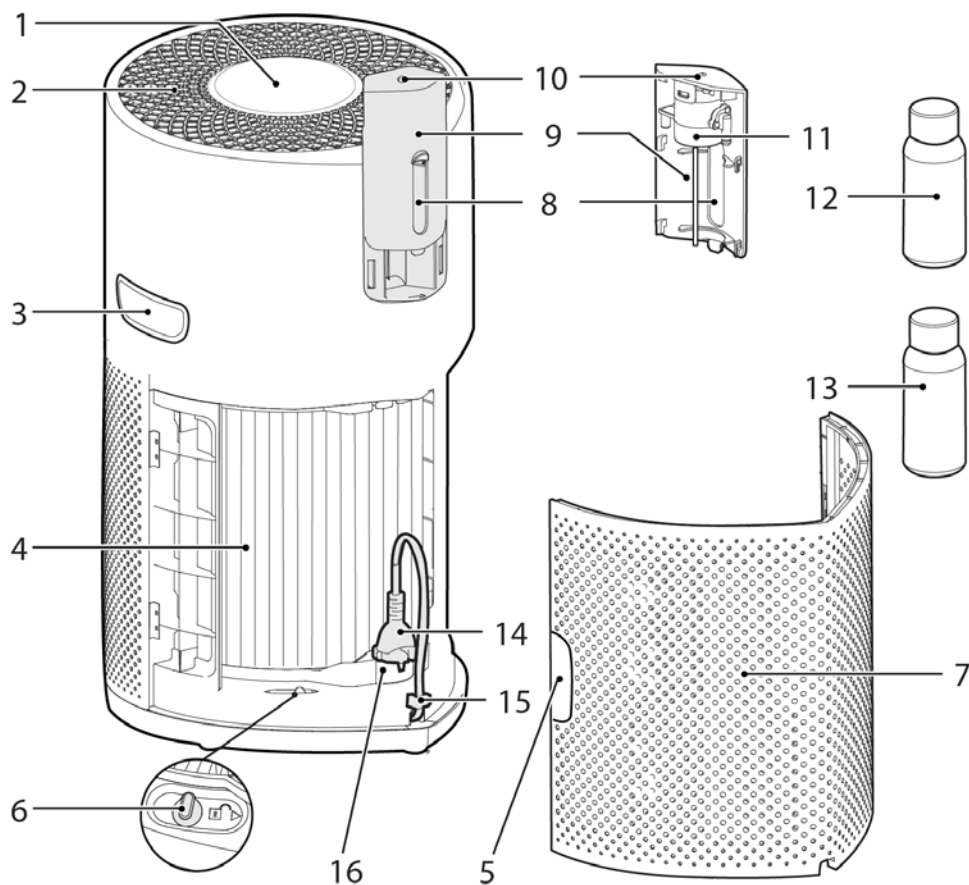
**Параметр беспроводного соединения**

Технология	Wi-Fi	Bluetooth
Стандартная	IEEE 802.11 b/g/n	Bluetooth v4.2,BLE
Диапазон частот (MHz)	2401~2483	2402~2480
Максимальная мощность (mW)	100	10
Максимальная мощность передачи сигнала в пределах частотного диапазона	18.9 dBm	

Настоящим компания Candy Hoover Group Srl заявляет, что радиооборудование соответствует Директиве 2014/53/EU. С полным текстом декларации о соответствии требованиям ЕС можно ознакомиться в интернете по адресу [www.candy-group.com](http://www.candy-group.com).

CANDY HOOVER GROUP S.r.l. Via Privata Eden Fumagalli, 20861 Brugherio (MB) Italy

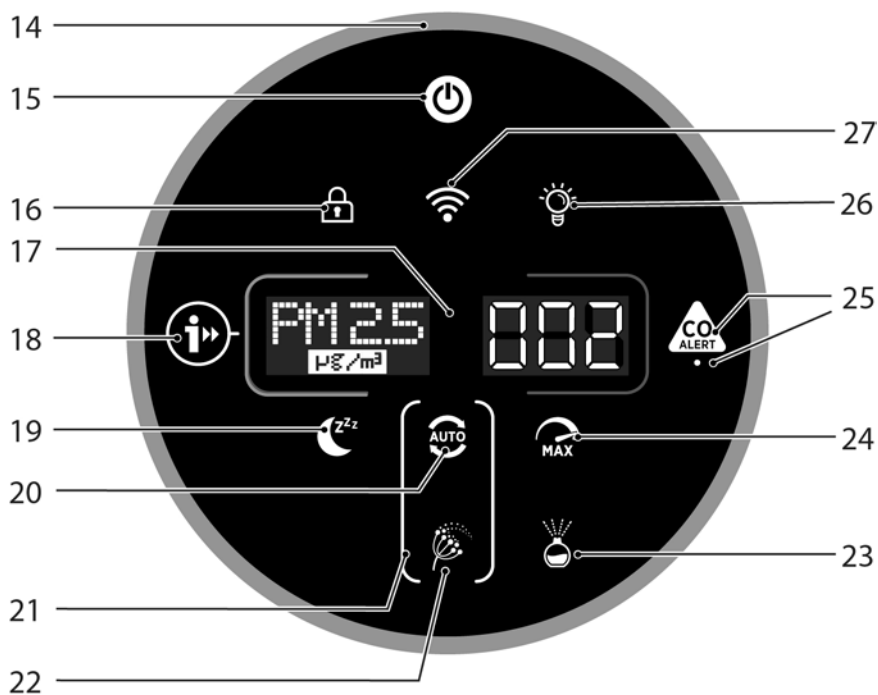
1. ЗНАКОМСТВО С ВАШИМ H-PURIFIER



1	Пульт управления / Дисплей
2	Выпуск воздуха
3	Ручка-переноска
4	Блок фильтра
5	Ручка крышки забора воздуха
6	Защелка фиксатора фильтра

7	Крышка забора воздуха
8	Окошко диффузора
9	Крышка диффузора
10	Выход диффузора
11	Блок диффузора

12	Бутылочка H-Essence (зеленого цвета)
13	Бутылочка H-Biotics (коричневого цвета)
14	Шнур питания и вилка
15	Крюк для хранения
16	Положение для транспортировки



14	LED-показатель качества воздуха
15	Кнопка питания
16	Кнопка блокировки от детей
17	Цифровой дисплей
18	Кнопка информации
19	Кнопка спящего режима
20	Кнопка автоматического режима
21	Кольцевой индикатор аллергии на пыльцу
22	Индикатор аллергии на пыльцу
23	Кнопка диффузора
24	Кнопка максимального режима
25	Кнопка и подсветка датчика содержания угарного газа CO
26	Кнопка управления подсветкой
27	Кнопка Wi-Fi

### 1.1 СИСТЕМА MULTI SENSOR

Благодаря системе Multi Sensor ваш прибор будет непрерывно отслеживать состояние воздуха в помещении, измеряя концентрацию PM10, PM2.5 и летучих органических соединений (GAS).

При каждом включении прибора система Multi Sensor запускает анализ воздуха внутри помещения, и LED Ring качества воздуха подсвечивается разными цветами в зависимости от состояния воздуха в реальном времени.

LED-индикатор качества воздуха	Качество воздуха в помещении	Значение PM10* $\mu\text{g}/\text{m}^3$	Значение PM2.5 $\mu\text{g}/\text{m}^3$	GAS Уровень летучих органических веществ
ЗЕЛЁНЫЙ	Отличное	0-50	0-25	L1
ЖЁЛТЫЙ	Удовлетворительное	50-80	25-50	L2
ОРАНЖЕВЫЙ	Недостаточное	80-160	50-100	L3
КРАСНЫЙ	Очень плохое	$\geq 160$	$\geq 100$	L4

LED-показатель качества воздуха



Кнопка оповещения о содержании угарного газа CO Alert

Светодиод CO Alert

\* В режиме аллергии на пыльцу значения PM10 для разных уровней качества воздуха снижаются, чтобы снизить риск для людей, страдающих аллергией.

### 1.2 СИГНАЛИЗАЦИЯ О СОДЕРЖАНИИ УГАРНОГО ГАЗА (CO)

H-Purifier оснащен системой сигнализации, которая непрерывно отслеживает состояние воздуха в помещении и измеряет содержание угарного газа (CO).

При срабатывании сигнализации угарного газа LED-индикатор качества воздуха и кнопка CO Alert мигают красным одновременно, а также включается звуковая сигнализация. Сигнализация продолжает работать до тех пор, пока концентрация угарного газа (CO) не опустится ниже 50 ppm, если ее не отключить вручную, нажав на кнопку CO Alert в течение 3 секунд. Сигнальный светодиод CO Alert показывает рабочее состояние датчика CO. Когда датчик CO находится в нормальном состоянии, светодиод подсвечен зеленым, желтым, когда он неисправен или завершился срок его службы, и красным, если включилась тревога по содержанию CO. Чтобы проверить, правильно ли работает сигнализация, можно нажать кнопку CO Alert в течение 3 секунд – если сигнализация исправна, должен прозвучать 5-секундный звуковой сигнал.

## 2. ПОДГОТОВКА H-PURIFIER К РАБОТЕ

### 2.1 УСТАНОВКА ФИЛЬТРА [Рис. 1]

Перед использованием прибора H-Purifier необходимо вынуть фильтр из защитной упаковки:

- Снимите крышку блока забора воздуха с прибора – ухватитесь за две ручки и потяните ее с прибора. [Рис. 1a]
- Достаньте вилку из положения для транспортировки и снимите шнур с крючка для хранения. [Рис. 1b]
- Откройте защелку фиксатора фильтра. [Рис. 1c]
- Снимите фильтр с прибора и уберите внешнюю упаковку. [Рис. 1d,e]
- Установите фильтр в прибор. [Рис. 1f]
- Закройте защелку фиксатора фильтра. [Рис. 1g]
- Установите крышку блока забора воздуха на прибор. [Рис. 1h]

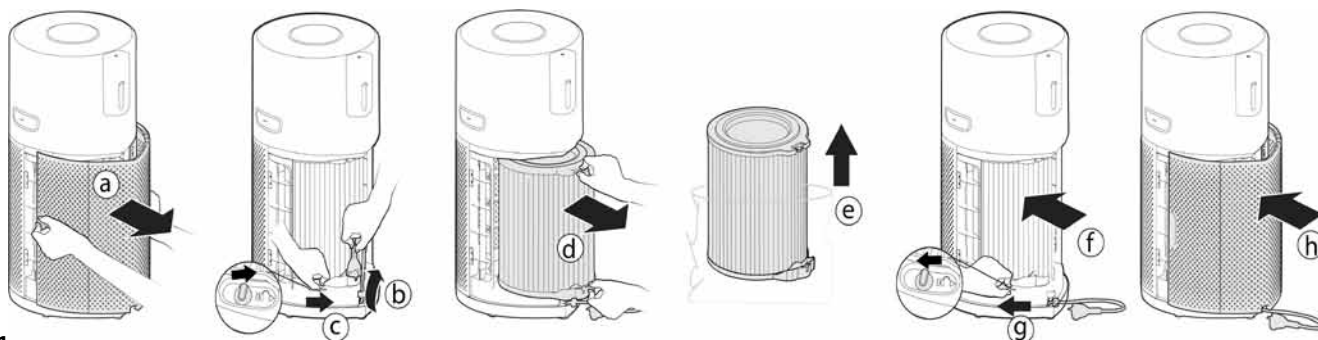


Рис. 1

### 2.2 УСТАНОВКА БУТЫЛОЧКИ В ДИФфуЗОР [Рис. 2]

Для подготовки H-Purifier к работе с диффузором:

- Снимите крышку диффузора с прибора. [Рис. 2a]
- Снимите блок диффузора с крышки диффузора. [Рис. 2b]
- Выньте бутылочку H-Essence или H-Biotics из упаковки и снимите крышку. [Рис. 2c]
- Сохраните бутылочку для хранения в дальнейшем.
- Плотно закрутите бутылочку в блок диффузора. [Рис. 2d]
- Установите блок диффузора на крышку диффузора. [Рис. 2e]
- Установите крышку диффузора на прибор. [Рис. 2f]

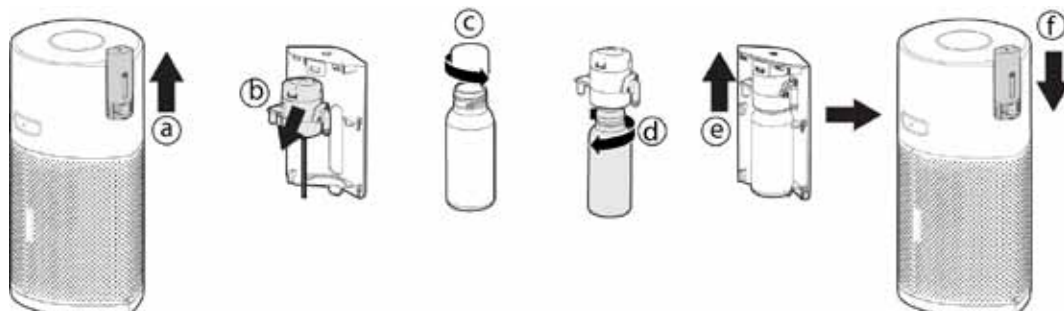


Рис. 2

### 3. ИСПОЛЬЗОВАНИЕ H-PURIFIER

#### 3.1 ВКЛЮЧЕНИЕ ПРИБОРА [Рис. 4]:

Вытяните шнур питания с катушки и вставьте вилку в розетку.

Все индикаторы на пульте управления или дисплее будут подсвечены в течение 1 секунды, указывая на успешное подсоединение. Кнопка ПИТАНИЯ будет неярко светиться, и индикатор CO Alert будет подсвечен, указывая на то, что датчик включен и отслеживает уровень угарного газа.

Чтобы включить прибор, нажмите кнопку ПИТАНИЯ на дисплее.

LED-индикатор качества воздуха будет подсвечиваться всеми цветами последовательно, пока датчики анализируют состояние воздуха в реальном времени. Через несколько секунд LED-индикатор качества воздуха подсветится цветом, соответствующим качеству воздуха на данный момент.

Ваш прибор H-Purifier сразу же переходит в АВТОМАТИЧЕСКИЙ РЕЖИМ и начинает очищать воздух в помещении. Кнопки АВТОМАТИЧЕСКОГО РЕЖИМА, ИНФОРМАЦИИ, УПРАВЛЕНИЯ ПОДСВЕТКОЙ и PM10 на дисплее будут светиться.



Рис. 4

#### 3.2 ПОДКЛЮЧИТЕ СВОЙ H-PURIFIER

Чтобы получить доступ ко всем функциям H-Purifier из любой точки, рекомендуется загрузить приложение hOn. Так можно управлять прибором наиболее эффективным способом.

Инструкции:

1. Загрузите приложение hOn из App Store, Google Play или Huawei AppGallery. Его также можно загрузить по QR-коду на [рис. 5]
2. Откройте приложение, создайте учетную запись со своим адресом электронной почты и паролем.
3. Подтвердите и зайдите в приложение hOn.
4. Убедитесь, что ваше мобильное устройство подключено к Wi-Fi.
5. Убедитесь, что H-Purifier включен. Нажмите и удерживайте кнопку Wi-Fi на дисплее в течение 5 секунд, будет передан звуковой сигнал, а кнопка Wi-Fi начнет мигать, указывая на ожидание соединения. [Рис. 6]
6. Следуйте инструкциям в приложении, чтобы подсоединить мобильное устройство к прибору.
7. При успешном соединении кнопка Wi-Fi на приборе останется подсвеченной.
8. Для сброса Wi-Fi, нажмите и удерживайте кнопку Wi-Fi в течение 5 секунд.



Рис. 5

H-Purifier также работает с Hey Google и Amazon Alexa.

#### 3.3 ОПИСАНИЕ ФУНКЦИЙ

##### Функция ИНФОРМАЦИИ [Рис. 7]:

Можно отслеживать 6 разных наборов данных:

PM10, PM2.5, GAS, температура, влажность и состояние фильтра.

Для просмотра каждого из значений просто нажимайте кнопку ИНФОРМАЦИИ последовательно.

По умолчанию отображаются данные PM10. Прибор запоминает последний выбор пользователя и сохраняет его при последующем включении прибора.

После включения прибора на дисплее GAS в течение 3 минут отображается вращающийся курсор, пока датчик GAS выполняет цикл калибровки.

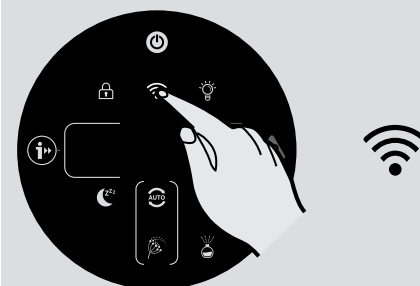


Рис. 6

##### Дополнительная информация о PM 2.5, PM 10 и GAS:

PM указывает на наличие мелких частиц (не видимых человеческому глазу), связанных, главным образом, с наружными загрязнениями, такими как выхлопные газы автомобилей и промышленные выбросы, которые могут быть потенциально опасными для здоровья при длительном воздействии.

PM 10 имеют размер до 10 мкм и могут попадать в верхние дыхательные пути (нос, трахею, глотку).

PM 2.5 имеют размер до 2,5 мкм и, учитывая их малый размер, могут попасть в легкие, проникая еще дальше в организм.

GAS – ЛОС (летучие органические соединения) являются летучими химическими соединениями, которые легко испаряются в воздух при комнатной температуре. Дезодоранты, моющие средства, клей, косметические средства, формальдегиды – это лишь некоторые примеры ЛОС, которые могут присутствовать в доме и быть потенциально вредными для здоровья при длительном воздействии.

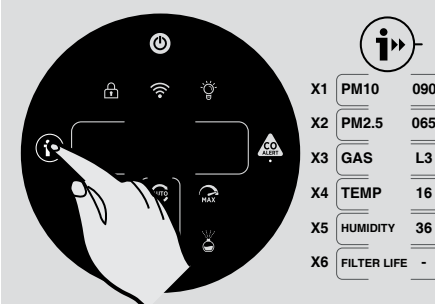


Рис. 7

##### РЕЖИМЫ работы:

Можно выбрать один из 3 режимов очистки воздуха: АВТОМАТИЧЕСКИЙ, МАКСИМАЛЬНЫЙ И РЕЖИМ СНА.

Автоматический режим является настройкой по умолчанию при включении прибора. Все режимы можно выбрать вручную нажатием кнопки на дисплее.

Режим АЛЛЕРГИИ НА ПЫЛЬЦУ можно включить через приложение hOn.

##### АВТОМАТИЧЕСКИЙ РЕЖИМ [Рис. 8]:

Это режим по умолчанию, который запускается при первом включении H-Purifier. В автоматическом режиме H-Purifier скорость вентилятора регулируется в зависимости от фактического качества воздуха, чтобы гарантировать оптимальную очистку.

Это рекомендуемая настройка для прибора.

В автоматическом режиме после регистрации отличного качества воздуха в течение 30 минут прибор переходит в режим ECO (функция ожидания), устанавливая функцию очистки на паузу (вентилятор).

Система Multi Sensor при этом продолжает анализировать воздух в помещении и включает функцию очистки при необходимости.



Рис. 8



Рис. 9

**МАКСИМАЛЬНЫЙ РЕЖИМ [Рис. 9]:**

Нажмите кнопку MAX на дисплее, чтобы включить очистку воздуха на максимальной мощности. Для выхода из МАКСИМАЛЬНОГО режима просто нажмите кнопку АВТОМАТИЧЕСКОГО РЕЖИМА или РЕЖИМА СНА.

**РЕЖИМ СНА [Рис. 10]:**

Нажмите кнопку РЕЖИМА СНА, чтобы перевести очиститель на самую низкую бесшумную настройку мощности. Кнопка РЕЖИМА СНА будет тускло подсвечиваться, а все остальные индикаторы на дисплее будут отключены. Эту настройку можно изменить, нажав кнопку УПРАВЛЕНИЯ ПОДСВЕТКОЙ.

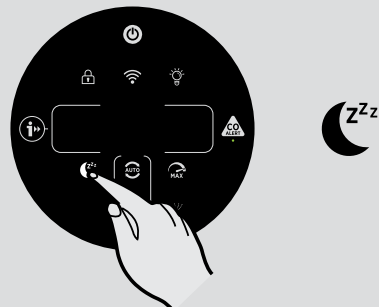


Рис. 10

**РЕЖИМ АЛЛЕРГИИ НА ПЫЛЬЦУ: [Рис. 11]**

Режим аллергии на пыльцу можно включить через приложение hOn. Для начала необходимо активировать и зарегистрировать профиль в приложении.

Режим аллергии на пыльцу работает только, если выбран АВТОМАТИЧЕСКИЙ РЕЖИМ. [Рис. 11с]

В этом режиме прибор непрерывно в реальном времени получает данные через приложение об отслеживаемой концентрации пыльцы снаружи и автоматически активирует функцию максимального улавливания пыльцы.

Улавливаемая пыльца инактивируется, помогая снимать симптомы аллергии.

При включении режима аллергии на пыльцу в приложении соответствующий индикатор на дисплее прибора загорается одним из 2 цветов:

- Индикатор аллергии на пыльцу горит **БЕЛЫМ [Рис. 11а]**: Прибор и приложение контролируют наличие пыльцы снаружи, и риск отсутствует.

- Индикатор аллергии на пыльцу горит **ЖЕЛТЫМ**, а кольцевой индикатор аллергии на пыльцу – БЕЛЫМ [Рис. 11b]: Прибор и приложение обнаружили риск.

Если при включенном режиме аллергии на пыльцу вручную перевести прибор в РЕЖИМ СНА или МАКСИМАЛЬНЫЙ РЕЖИМ, режим аллергии на пыльцу отключается.

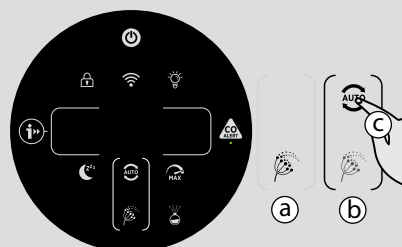


Рис. 11

**Функция УПРАВЛЕНИЯ ПОДСВЕТКОЙ: [Рис. 12]**

Подсветка дисплея работает с одной из 3 настроек: включено, тускло и выключено.

Чтобы отрегулировать яркость подсветки дисплея, просто нажмите кнопку УПРАВЛЕНИЯ ПОДСВЕТКОЙ, последовательно переходя к каждому из 3 вариантов. По умолчанию подсветка включена.

Когда подсветка выключена все остальные кнопки нужно будет нажимать дважды для активации: после первого нажатия подсветка включается тускло, при втором нажатии активируется необходимое действие.

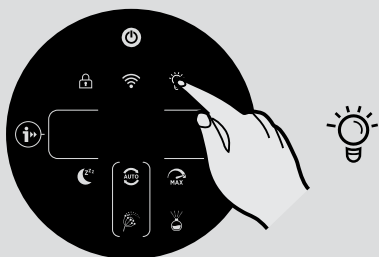


Рис. 12

**Функция БЛОКИРОВКА ОТ ДЕТЕЙ: [Рис. 13]**

Чтобы активировать эту функцию, нажмите и удерживайте кнопку БЛОКИРОВКИ ОТ ДЕТЕЙ в течение 3 секунд; после этого активация функции подтверждается звуковым сигналом, и кнопка БЛОКИРОВКИ ОТ ДЕТЕЙ остается подсвеченной. Все остальные кнопки блокируются.

Чтобы отключить функцию, нажмите и удерживайте кнопку БЛОКИРОВКА ОТ ДЕТЕЙ в течение 3 секунд; после этого отключение функции подтверждается звуковым сигналом, и кнопка гаснет.

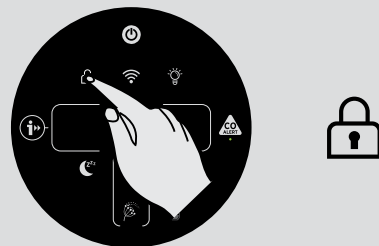


Рис. 13

**Работа ДИФФУЗОРА: [Рис. 14]**

Диффузор распыляет в воздухе помещения средства H-Essence или H-Biotics. H-Essence – это предлагаемая Hoover коллекция эфирных масел для распыления в воздухе и создания приятного аромата.

H-Biotics является натуральным составом на основе пробиотиков, поддерживающим биологическую гигиену в помещении, подавляя рост микроорганизмов, таких как бактерии или микробы.

ДИФФУЗОР работает с одной из 4 настроек: SOFT, MEDIUM, CUSTOM и H-BIOTICS. Для активации этой функции нужно просто нажать на кнопку диффузора на дисплее. По умолчанию он включается с настройкой SOFT. Чтобы выбрать другую настройку, просто продолжайте нажимать на кнопку, последовательно перебирая настройки. Когда функция включена, кнопка подсвечивается.

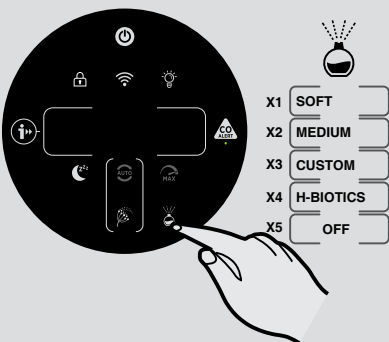


Рис. 14

Для H-Essence рекомендуется выбирать настройки SOFT и MEDIUM.

Настройку CUSTOM можно установить в приложении hOn.

При использовании H-Biotics **НЕОБХОДИМО** выбирать настройку H-BIOTICS. Активировав настройку H-Biotics в приложении, пользователь получит уведомление АКТИВИРОВАТЬ H-BIOTICS через 120 часов, чтобы контролировать использование средства каждые 5 дней.



При использовании H-Essence с определенными настройками или в помещениях определенного типа уровень ЛОС GAS может меняться ввиду обнаружения ароматизаторов. Диффузор работает только тогда, когда LED-индикатор качества воздуха светится зеленым, становится на паузу, когда LED Ring подсвечен другим цветом, и возобновляет работу, как только цвет кольца снова меняется на зеленый. Диффузор может работать только в АВТОМАТИЧЕСКОМ и МАКСИМАЛЬНОМ режимах и не включается в режиме СНА. При включении функции диффузора в АВТОМАТИЧЕСКОМ режиме главный вентилятор будет работать с определенной скоростью, способствуя распространению средств H-Essence или H-Biotics по комнате.

Настройка	Время работы диффузора	Макс. длительность цикла
SOFT	по 10 сек. каждые 5 мин.	6 часов
СРЕДНИЙ	по 90 сек. каждые 3,5 мин.	6 часов
CUSTOM	Выбирает пользователь	6 часов
H-BIOTICS	по 2 мин. каждые 4 мин.	6 часов

## 4. ОБСЛУЖИВАНИЕ H-PURIFIER

### 4.1 ОБСЛУЖИВАНИЕ ФИЛЬТРА

H-Purifier контролирует состояние фильтра. Сигнал **ОЧИСТИТЕ ФИЛЬТР** или **ЗАМЕНИТЕ ФИЛЬТР** появляется слева на дисплее и мигает, указывая на необходимость выполнения операции по очистке или замене фильтра.

Очистка и замена фильтра: [Рис. 15]

- Снимите крышку блока забора воздуха с прибора. [Рис. 15a]
- Откройте защелку фиксатора фильтра. [Рис. 15b]
- Снимите фильтр с прибора. [Рис. 15c]
- С помощью пылесоса очистите наружную сетку на фильтра или замените на НОВЫЙ фильтр. [Рис. 15d]
- Установите фильтр в прибор. [Рис. 15e]
- Закройте защелку фиксатора фильтра. [Рис. 15f]
- Установите крышку блока забора воздуха на прибор. [Рис. 15g]
- Вставьте вилку прибора в розетку и включите его.
- Нажмите кнопку INFORMATION и удерживайте ее в течение 3 секунд, чтобы сбросить предупреждение об очистке или замене; после успешного сброса будет передан звуковой сигнал. [Рис. 7]

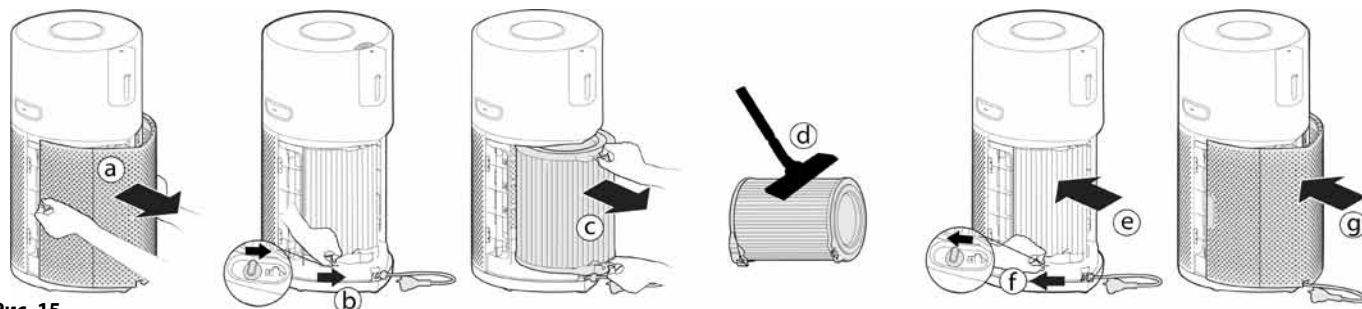


Рис. 15

### 4.2 ОБСЛУЖИВАНИЕ ДИФFUЗОРА

После каждого использования диффузора мягкой сухой салфеткой вытирайте остатки средства на поверхности прибора.

Замена бутылочки диффузора: [Рис. 16]

Объем жидкости, оставшийся в бутылочке, можно проверить через окошко диффузора. При необходимости бутылочку необходимо заменить.

- Снимите крышку диффузора с прибора. [Рис. 16a]
- Снимите блок диффузора с бутылочкой с крышки диффузора. [Рис. 16b]
- Открутите и снимите пустую бутылочку. [Рис. 16c]
- Выньте новую бутылочку H-Essence или H-Biotics из упаковки и снимите крышку. [Рис. 16d]
- Плотно закрутите новую бутылочку в блок диффузора. [Рис. 16e]
- Установите блок диффузора на крышку диффузора. [Рис. 16f]
- Установите крышку диффузора на H-Purifier. [Рис. 16g]

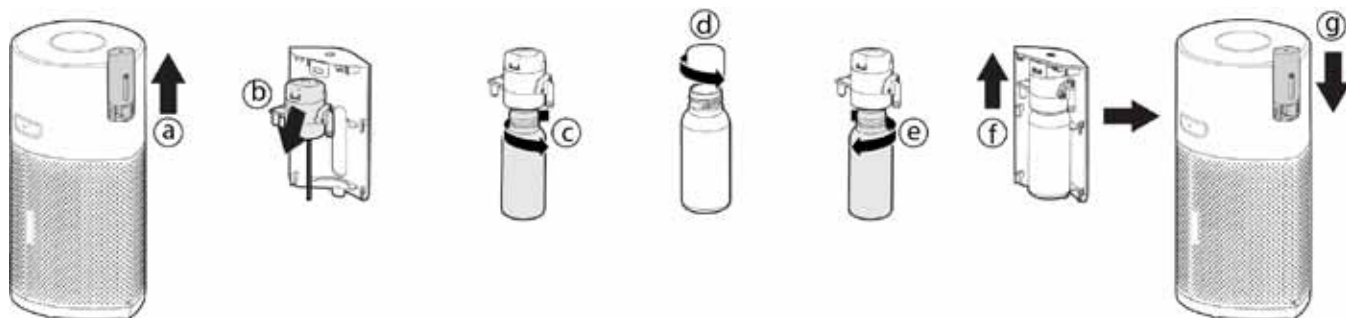


Рис. 16

## 5. ХРАНЕНИЕ H-PURIFIER

1. Отключите H-Purifier и выньте вилку из розетки.
2. Очистите все внутренние и наружные поверхности H-Purifier и наружную сетку фильтра.
3. Снимите бутылочку с диффузора. Закройте бутылочку оригинальным колпачком и храните ее вдали от прямых солнечных лучей. Очистите поверхности блока и крышки диффузора. Убедитесь в отсутствии остатков H-Essence или H-Biotics на поверхностях H-Purifier.
4. Убедитесь, что все компоненты являются сухими.
5. Снимите крышку блока забора воздуха [Рис. 17а] и намотайте шнур на катушку, потянув его [Рис. 17б], закрепите шнур с помощью крючка для хранения, а затем вставьте вилку в транспортное положение. [Рис. 17с,д] Установите крышку блока забора воздуха. [Рис. 17е]
6. Храните H-Purifier в прохладном сухом месте.

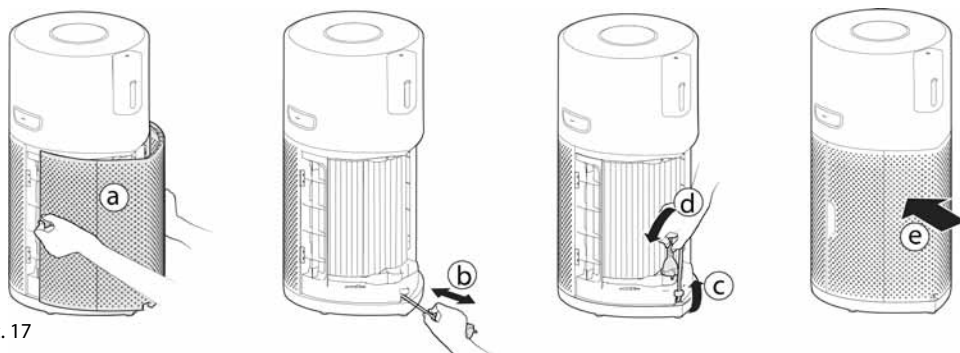


Рис. 17

## 6. ОПОВЕЩЕНИЯ И РЕШЕНИЯ

В процессе эксплуатации могут появляться следующие сообщения. [Рис. 18]

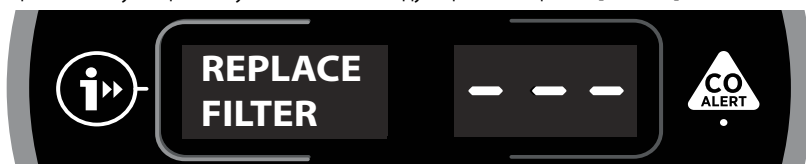


Рис. 18

Сигнал		Описание сигнала	Устранение
Сигнал на приборе	Сигнал в приложении		
"CLEAN FILTER"	Сигнал об очистке пре-фильтра	Напоминание об очистке наружного слоя фильтра.	1. Очистите наружный слой фильтра. 2. Для сброса сигнала нажмите и удерживайте кнопку INFORMATION в течение 3 сек. <b>См. раздел 4.1 «ОБСЛУЖИВАНИЕ ФИЛЬТРА».</b>
"REPLACE FILTER"	Сигнал о замене фильтра	Напоминание о замене фильтра.	1. Замените фильтр. 2. Для сброса сигнала нажмите и удерживайте кнопку INFORMATION в течение 3 сек. <b>См. раздел 4.1 «ОБСЛУЖИВАНИЕ ФИЛЬТРА».</b>
"FILTER MISSING"	Ошибка: в очистителе воздуха произошла ошибка; проверьте возможные решения.	Фильтр неправильно расположен или не зафиксирован.	1. Если фильтра нет, установите его. 2. Если фильтр установлен, проверьте переведена ли защелка фильтра в положение ЗАКРЫТО. <b>См. раздел 2.1 «УСТАНОВКА ФИЛЬТРА».</b>
"PM SENSOR ERROR"	/	Неисправность датчика РМ.	Датчик РМ сломан или неправильно подсоединен. Обратитесь в сервисный центр для ремонта.
Светодиод CO Alert горит желтым.	Ошибка: в очистителе воздуха произошла ошибка; проверьте возможные решения.	Датчик СО неисправен, или превышен срок его службы.	Обратитесь в сервисный центр для ремонта.
/	Ошибка: в очистителе воздуха произошла ошибка; проверьте возможные решения.	Поломка двигателя	Двигатель сломан или неправильно подсоединен. Обратитесь в сервисный центр для ремонта.
"TEMP. & HUMI. SENSOR ERROR"	/	Неисправность датчика температуры и влажности.	Датчик температуры и влажности неисправен или неправильно подсоединен. Обратитесь в сервисный центр для ремонта.
"PAUSE"	/	Работа диффузора приостанавливается, если LED-индикатор качества воздуха подсвечен не зеленым.	Никаких действий не требуется. Диффузор возобновит работу, как только LED-индикатор качества воздуха снова загорится зеленым.

**ВНИМАНИЕ:** Если у вас не получается устранить какую-либо неисправность прибора, обратитесь к местному представителю Hoover. НЕ пытайтесь разбирать H-Purifier самостоятельно.



## 7. УСТРАНЕНИЕ НЕИСПРАВНОСТЕЙ

Ниже приведен перечень часто встречающихся проблем и их решений.

Если вы не можете устранить неисправность, обратитесь к местному представителю компании Hoover.

Вентилятор не работает (Пульт управления / Дисплей подсвечен)	<ul style="list-style-type: none"> <li>Проверьте сигнал на дисплее или в приложении. При наличии сигнала, см. раздел 6 «ОПОВЕЩЕНИЯ И РЕШЕНИЯ».</li> <li>Проверьте возможное засорение фильтра. При наличии засорения, сначала отключите прибор от сети питания, а затем очистите или обратитесь в сервисный центр.</li> <li>Убедитесь, что H-Purifier включен.</li> <li>Проверьте, правильно ли вставлен и зафиксирован ли фильтр.</li> <li>Убедитесь, что H-Purifier размещен в строго вертикальном положении, а не под углом.</li> <li>Возможно, H-Purifier находится в режиме ECO. Чтобы выйти из режима ECO, нажмите кнопку спящего режима или кнопку максимального режима. См. раздел 3 «ИСПОЛЬЗОВАНИЕ H-PURIFIER». – <b>АВТОМАТИЧЕСКИЙ РЕЖИМ.</b></li> </ul>
Вентилятор не работает (Пульт управления / Дисплей не подсвечен)	<ul style="list-style-type: none"> <li>Убедитесь, что вилка H-Purifier вставлена в розетку и прибор включен.</li> <li>Проверьте сигнал на дисплее или в приложении. При наличии сигнала, см. раздел 6 «ОПОВЕЩЕНИЯ И РЕШЕНИЯ».</li> </ul>
Нет подсветки на пульте управления / Дисплей (Вентилятор работает)	<ul style="list-style-type: none"> <li>В спящем режиме подсветка по умолчанию отключена. Вы можете нажать кнопку управления подсветкой, чтобы отключить ее.</li> <li>Возможно, подсветка отключена. Нажмите кнопку управления подсветкой, чтобы включить ее. См. раздел 3 «ИСПОЛЬЗОВАНИЕ H-PURIFIER». – <b>РЕЖИМ СНА / Функция УПРАВЛЕНИЯ ПОДСВЕТКОЙ.</b></li> </ul>
Кнопки на пульте управления не работают	<ul style="list-style-type: none"> <li>Возможно, активирована блокировка от детей. Нажмите и удерживайте кнопку ЗАМКА ОТ ДЕТЕЙ в течение 3 секунд, чтобы выйти. См. раздел 3 «ИСПОЛЬЗОВАНИЕ H-PURIFIER». – <b>Функция ЗАМКА ОТ ДЕТЕЙ.</b></li> </ul>
Слабый поток воздуха	<ul style="list-style-type: none"> <li>Убедитесь, что фильтр был вынут из защитной упаковки.</li> <li>Убедитесь, что крышка блока забора воздуха и выпуск воздуха не заблокированы.</li> <li>Снимите крышку забора воздуха и проверьте состояние фильтра. Очистите наружный слой или замените фильтр при необходимости. Данные о сроке службы фильтра можно проверить на дисплее, нажав кнопку информации.</li> <li>Проверьте, не находится ли H-Purifier в режиме сна. В этом режиме вентилятор работает на сниженной скорости.</li> </ul>
H-Purifier работает слишком громко	<ul style="list-style-type: none"> <li>Проверьте возможное засорение фильтра H-Purifier.</li> <li>Проверьте, не находится ли H-Purifier в максимальном режиме. В этом режиме вентилятор работает на максимальной скорости.</li> </ul>
H-Purifier внезапно начинает работать слишком громко	<ul style="list-style-type: none"> <li>Проверьте, не работает ли H-Purifier в автоматическом режиме и не горит ли LED Ring качества воздуха зеленым. В автоматическом режиме H-Purifier скорость вентилятора регулируется в зависимости от фактического качества воздуха. См. раздел 3 «ИСПОЛЬЗОВАНИЕ H-PURIFIER». – <b>АВТОМАТИЧЕСКИЙ РЕЖИМ.</b></li> </ul>
H-Purifier внезапно издает громкий звуковой сигнал	<ul style="list-style-type: none"> <li>В результате неправильного нажатия кнопки CO Alert срабатывает функция тестирования. Звук автоматически отключится через 5 секунд. См. раздел 1.2 «ОПОВЕЩЕНИЕ О СОДЕРЖАНИИ УГАРНОГО ГАЗА (CO)»</li> </ul>

### ВАЖНАЯ ИНФОРМАЦИЯ

#### Запасные части и расходные материалы компании Hoover

При замене частей используйте только оригинальные запасные части и расходные материалы компании Hoover. Их можно приобрести у вашего местного дилера компании Hoover или в официальном интернет-магазине [shop.hoover.ru](http://shop.hoover.ru) (кроме запасных частей). При оформлении заказа на запасные части обязательно указывайте номер модели пылесоса.

#### Качество

Заводы компании Hoover прошли независимую оценку на предмет соблюдения требований к качеству выпускаемой продукции.. Наша продукция изготавливается с применением системы качества, удовлетворяющей требованиям стандарта ISO 9001.

#### УСЛОВИЯ ГАРАНТИИ

Условия гарантии для данного бытового электрического прибора определяются нашим представительством в стране, где этот электроприбор продан. Более подробную информацию об этих условиях вы можете получить у продавца или из гарантийного сертификата на данный прибор. В случае возникновения ситуации, покрываемой гарантийными обязательствами изготовителя, при обращении в уполномоченную сервисную организацию необходимо предъявить товарно-кассовый чек или иной документ, подтверждающий начало истечения гарантийного срока, предусмотренного условиями гарантии для данного прибора.

Вся представленная в инструкции информация, касающаяся комплектации, технических характеристик, функций,цветовых сочетаний и т.д. носит информационный характер и ни при каких условиях не является публичной офертой.Изготовитель не устанавливает условия и положения покупки, они должны соответствовать требованиям регионального и/или национального законодательства страны продажи товаров.

## ΓΕΝΙΚΟΙ ΚΑΝΟΝΕΣ ΑΣΦΑΛΕΙΑΣ

Αυτή η συσκευή πρέπει να χρησιμοποιείται μόνο για ιδιωτική οικιακή χρήση, όπως περιγράφεται σε αυτό το εγχειρίδιο χρήσης. Βεβαιωθείτε ότι έχετε κατανοήσει πλήρως αυτό το εγχειρίδιο χρήσης πριν χρησιμοποιήσετε τη συσκευή και φυλάξτε το για μελλοντική αναφορά.

Ελέγξτε εάν η τάση και οι ονομαστικές τιμές που αναγράφονται στην ετικέτα της συσκευής αντιστοιχούν στην τοπική τάση τροφοδοσίας προτού συνδέσετε τη συσκευή.

Εάν το καλώδιο σύνδεσης με το δίκτυο παροχής εμφανίσει φθορές διακόψτε την λειτουργία της συσκευής αμέσως. Για λόγους ασφαλείας η αντικατάσταση του φθαρμένου καλωδίου της συσκευής πρέπει να γίνεται αποκλειστικά στα σημεία τεχνικής υποστήριξης Hoover.

Μην βγάζετε το φιλτράκι τραβώντας το καλώδιο τροφοδοσίας.

Βάλτε το καλώδιο τροφοδοσίας με τέτοιο τρόπο, ώστε να μην το πατήσετε κανείς ή να σκοντάψει πάνω του.

Απενεργοποιείτε και αποσυνδέετε πάντα τη συσκευή πριν μετακινήσετε ή καθαρίσετε τη συσκευή ή κάνετε οποιαδήποτε εργασία συντήρησης.

Η χρήση της συσκευής από παιδιά άνω των 8 ετών, ηλικιωμένους και ΑΜΕΑ προϋποθέτει την παρουσία ενήλικα που θα φέρει την ευθύνη για την ασφαλεία τους. Η χρήση της συσκευής από άτομα που δεν έχουν εξοικειωθεί στη χρήση παρόμοιων συσκευών μπορεί να γίνει μόνο αφού γίνει κατανοητός ο κίνδυνος που ενέχει η χρήση της συσκευής. Μην αφήνετε τα παιδιά να παίζουν με τη συσκευή.

Οι εργασίες καθαρισμού και συντήρησης της συσκευής δεν πρέπει να γίνονται από τα παιδιά χωρίς την επίβλεψη ενήλικα που θα φέρει την ευθύνη για την ασφαλεία τους.

Η συσκευή δεν αφαιρεί το μονοξείδιο του άνθρακα (CO) ή το ραδόνιο (Rn). Δεν μπορεί να χρησιμοποιηθεί ως συσκευή ασφαλείας σε περίπτωση ατυχημάτων με διαδικασίες καύσης και επικίνδυνα χημικά.

Εάν η συσκευή εμφανίσει κάποια βλάβη μην συνεχίσετε να την χρησιμοποιείτε.

Μην φράζετε την είσοδο ή την έξοδο αέρα.

Μην βάζετε τα δάχτυλά σας ή αντικείμενα στην έξοδο ή στην είσοδο αέρα για να αποφύγετε τραυματισμό ή δυσλειτουργία της συσκευής.

Μην καθαρίζετε τη συσκευή με νερό, άλλο υγρό ή (εύφλεκτο) απορρυπαντικό και μην τα αφήνετε να μπουκιάσουν στη συσκευή για να αποφύγετε ηλεκτροπληξία ή/και κίνδυνο πυρκαγιάς.

Μην ψεκάζετε εύφλεκτα υλικά όπως εντομοκτόνα ή αρώματα γύρω από τη συσκευή.

Αυτή η συσκευή δεν υποκαθιστά τον κατάλληλο εξαερισμό, τον τακτικό καθαρισμό με ηλεκτρική σκούπα ή τη χρήση απορροφητήρα ή ανεμιστήρα κατά το μαγείρεμα.

Χρησιμοποιείτε μόνο αναλώσιμα, φίλτρα ή ανταλλακτικά που συνιστώνται ή παρέχονται από την HOOVER.

Βεβαιωθείτε ότι το φίλτρο έχει εγκατασταθεί σωστά πριν ενεργοποιήσετε τη συσκευή.

Αποφύγετε να χτυπήσετε τη συσκευή (ειδικότερα την είσοδο και την έξοδο αέρα) με σκληρά αντικείμενα.

Κρατήστε το προϊόν στεγνό.

Ποτέ μην γέρνετε ή αδειάζετε το προϊόν κατά τη διάρκεια της λειτουργίας.

Όταν η συσκευή δεν χρησιμοποιείται για μεγάλο χρονικό διάστημα, μπορεί να αναπτυχθούν βακτήρια στα φίλτρα. Ελέγξτε τα φίλτρα μετά από μεγάλο χρονικό διάστημα αδράνειας. Εάν τα φίλτρα είναι πολύ βρώμικα, αντικαταστήστε τα.

Για την διατήρηση της ασφαλούς και αποτελεσματικής λειτουργίας της συσκευής οι επεμβάσεις συντήρησης και αποκατάστασης βλαβών πρέπει να γίνονται αποκλειστικά μέσω των εξουσιοδοτημένων τεχνικών HOOVER.

## ΠΕΡΙΒΑΛΛΟΝ ΧΡΗΣΗΣ

Τοποθετήστε και χρησιμοποιήστε το προϊόν μόνο σε στεγνή, σταθερή, επίπεδη οριζόντια επιφάνεια, έτσι ώστε να αποφευχθεί τυχόν ανατροπή του.

Αφήστε τουλάχιστον 20 εκατοστά ελεύθερου χώρου πίσω και στις δύο πλευρές της συσκευής και αφήστε τουλάχιστον 30 εκατοστά ελεύθερου χώρου πάνω από τη συσκευή.

Για να αποφύγετε τις παρεμβολές, τοποθετήστε τη συσκευή σε απόσταση τουλάχιστον 2 μέτρων από ηλεκτρικές συσκευές που χρησιμοποιούν ραδιοκύματα, όπως τηλεοράσεις, ραδιόφωνα και ρολόγια με ραδιόφωνο.

Μην τοποθετείτε τίποτα πάνω στη συσκευή.

Μην χρησιμοποιείτε αυτήν τη συσκευή όταν έχετε χρησιμοποιήσει εσωτερικά εντομοαπωθητικά όπως καπνογόνες σπείρες ή σε μέρη με λιπαρά υπολείμματα, θυμίαμα ή χημικούς καπνούς.

Μην τοποθετείτε τη συσκευή σε καμία από τις ακόλουθες τοποθεσίες:

- Επάνω και κοντά σε θερμές επιφάνειες, φωτιά ή σε άμεσο ηλιακό φως, κοντά σε συσκευές αερίου, συσκευές θέρμανσης ή τζάκια.
- Δίπλα ή ακριβώς πάνω από θερμαντήρες ή αεραγωγούς, πόρτες, παράθυρα, ανεμιστήρες εξαγωγής, κουζίνες ή οπουδήποτε θα επηρεαζόταν από ρεύματα.
- Σε μπάνιο ή σε άλλες περιοχές όπου το προϊόν ενδέχεται να εκτεθεί σε πιτσιλιές νερού, σταγόνες ή συμπύκνωση (π.χ. ακριβώς κάτω από ένα κλιματιστικό ή πάνω από έναν ηλεκτρικό βραστήρα).
- Σε κλειστό χώρο (π.χ. μέσα ή κάτω από ένα ντουλάπι);
- Σε μια περιοχή όπου η θερμοκρασία θα μπορούσε να πέσει κάτω από  $-20^{\circ}\text{C}$  ή να ανέβει πάνω από  $50^{\circ}\text{C}$
- Σε δωμάτιο με σημαντικές αλλαγές θερμοκρασίας, σε υγρό περιβάλλον ή σε περιβάλλον με υψηλές θερμοκρασίες περιβάλλοντος ή υψηλή υγρασία, όπως μπάνιο, τουαλέτα ή κουζίνα.
- Όπου εμποδίζεται, π.χ. με κουρτίνες ή έπιπλα
- Σε μέρη όπου βρωμιά ή σκόνη θα μπορούσαν να μπλοκάρουν τον αισθητήρα.

#### ΟΔΗΓΙΕΣ ΑΣΦΑΛΕΙΑΣ ΠΑΡΑΚΟΛΟΥΘΗΣΗΣ CO

Εάν ενεργοποιηθεί ο συναγερμός CO, πρέπει να ανοίξετε όλα τα παράθυρα και τις πόρτες (εάν είναι ασφαλές να το κάνετε). Σβήστε όλες τις συσκευές καύσης, εάν είναι δυνατόν και στη συνέχεια εκκενώστε τον χώρο αφήνοντας τα παράθυρα και τις πόρτες ανοιχτές. Φροντίστε για άμεση ιατρική βοήθεια σε όσους πάσχουν από τις συνέπειες της δηλητηρίασης από μονοξείδιο του άνθρακα. Μην μπείτε ξανά στον χώρο έως ότου σταματήσει ο συναγερμός. Ο συναγερμός θα σταματήσει μόλις εξαλειφθεί το CO. Μην χρησιμοποιήσετε ξανά συσκευές καύσης έως ότου εντοπιστεί και εξαλειφθεί η πηγή CO από εξειδικευμένο τεχνικό.

Αποφύγετε τη χρήση χρωμάτων, αρωματικών, αναθυμιάσεων διαλυτών, αποσμητικών χώρου, σπρέι αερολύματος ή χημικών καθαριστικών κοντά στη συσκευή. Αυτό μπορεί να επηρεάσει τη λειτουργία παρακολούθησης CO (CO monitor).

Για να ενεργοποιήσετε τη λειτουργία παρακολούθησης CO (CO monitor), συνδέστε το φως σε μια πρίζα. Η ένδειξη LED CO Alert θα ανάψει πράσινη. Όταν η παρακολούθηση CO εντοπίσει μη ασφαλές επίπεδο CO, ο συναγερμός CO θα χτυπήσει δυνατά και το κουμπί ειδοποίησης CO και το δαχτυλίδι LED ποιότητας αέρα θα αναβοσβήνουν σε κόκκινο χρώμα. Ο συναγερμός θα συνεχίσει να χτυπά έως ότου το ανιχνευμένο CO μειωθεί σε ασφαλές επίπεδο.

Αγγίξτε το κουμπί [CO Alert] για 3 δευτερόλεπτα για να δοκιμάσετε τη λειτουργία συναγερμού CO και ο συναγερμός θα ηχήσει δυνατά για 5 δευτερόλεπτα. Ελέγχετε τον συναγερμό κάθε μήνα και μετά από παρατεταμένη απουσία από το κτίριο (π.χ. διακοπές). Εάν ο συναγερμός δεν χτυπήσει αφού αγγίξετε το κουμπί [CO Alert] για 3 δευτερόλεπτα, επικοινωνήστε με το κέντρο εξυπηρέτησης πελατών της Hoover για να κανονίσετε ώστε ένας εξειδικευμένος τεχνικός να αποκαταστήσει τη βλάβη.

Εάν η ένδειξη υποδεικνύει ότι ο αισθητήρας CO είναι ελαττωματικός ή έχει φτάσει στο τέλος της ζωής του, επικοινωνήστε με το κέντρο εξυπηρέτησης πελατών της Hoover για να κανονίσετε ώστε ένας εξειδικευμένος τεχνικός να φροντίσει για την αντικατάσταση του αισθητήρα CO. Η αναμενόμενη διάρκεια ζωής του αισθητήρα CO είναι 7 χρόνια και πρέπει να αντικατασταθεί μετά από αυτό το διάστημα.

Μην αφήνετε τα μικρά παιδιά να πατήσουν το κουμπί CO Alert για 3 δευτερόλεπτα, καθώς ενδέχεται να εκτεθούν σε υπερβολικό θόρυβο όταν χτυπήσει ο συναγερμός.

Λειτουργία Υγρασίας: 15 – 90% RH

Θερμοκρασία λειτουργίας:  $0^{\circ}\text{C}$  έως  $+40^{\circ}\text{C}$

Το μονοξείδιο του άνθρακα επηρεάζει το σώμα στερώντας από κρίσιμα όργανα το οξυγόνο (προκαλώντας ασφυξία). Όταν εισπνέεται το CO προσκολλάται στην αιμοσφαιρίνη στο αίμα που συνήθως μεταφέρει οξυγόνο σε όλο το σώμα. Το CO εκτοπίζει μόνιμα την ικανότητα των μορίων οξυγόνου να προσκολλώνται στην αιμοσφαιρίνη, μειώνοντας έτσι το οξυγόνο στα ζωτικά όργανα. Το επίπεδο συγκέντρωσης και ο χρόνος έκθεσης στο CO μπορεί να μεταβάλλουν τις επιδράσεις του στο σώμα, αλλά οι ειδικοί συμφωνούν ότι ακόμη και τα χαμηλά επίπεδα έκθεσης σε μονοξείδιο του άνθρακα για παρατεταμένες περιόδους μπορεί να έχουν σοβαρές και διαρκείς επιπτώσεις στη γενική υγεία όλων.

**ΠΡΟΣΟΧΗ:** Ο ΣΥΝΑΓΕΡΜΟΣ CO (CO ALARM) ΕΧΕΙ ΣΧΕΔΙΑΣΤΕΙ ΓΙΑ ΝΑ ΠΡΟΣΤΑΤΕΥΕΙ ΤΑ ΑΤΟΜΑ ΑΠΟ ΤΙΣ ΟΞΕΙΕΣ ΕΠΙΠΤΩΣΕΙΣ ΤΗΣ ΕΚΘΕΣΗΣ ΣΕ ΜΟΝΟΞΕΙΔΙΟ ΤΟΥ ΑΝΘΡΑΚΑ Ή ΝΑ ΑΠΟΤΡΕΨΕΙ ΤΙΣ ΜΑΚΡΟΧΡΟΝΙΕΣ ΕΠΙΔΡΑΣΕΙΣ ΤΗΣ ΕΚΘΕΣΗΣ ΣΕ ΜΟΝΟΞΕΙΔΙΟ ΤΟΥ ΑΝΘΡΑΚΑ. ΔΕΝ ΠΡΟΣΤΑΤΕΥΕΙ ΠΛΗΡΩΣ ΤΗΝ ΑΣΦΑΛΕΙΑ ΑΤΟΜΩΝ ΣΕ ΕΙΔΙΚΕΣ ΚΑΤΑΣΤΑΣΕΙΣ ΥΓΕΙΑΣ. ΣΕ ΠΕΡΙΠΤΩΣΗ ΑΜΦΙΒΟΛΙΑΣ ΣΥΜΒΟΥΛΕΥΤΕΙΤΕ ΓΙΑΤΡΟ.

Η λειτουργία CO Monitor δεν πρέπει να χρησιμοποιείται, ούτε να υπονοείται ότι χρησιμοποιείται ως υποκατάστατο ενός EN 50291-1, UL-2034, CSA-6.19 ή οποιουδήποτε άλλου αναγνωρισμένου τυποποιημένου πιστοποιημένου συναγερμού μονοξειδίου του άνθρακα όπου οι Τοπικοί ή Περιφερειακοί Κώδικες ή νομοθεσία επιβάλλουν τη χρήση τους. Η λειτουργία CO Monitor είναι μια συμπληρωματική λειτουργία της συσκευής μόνο για την παρακολούθηση του μονοξειδίου του άνθρακα. Η χρήση αυτής της συσκευής εναπόκειται στη διακριτική ευχέρεια του χρήστη και συνεπάγεται την κατανόηση και αποδοχή των περιορισμών της όσον αφορά την τήρηση κανονισμών ή νομοθεσίας, όπου ισχύει.

Αυτή η συσκευή δεν πρέπει να χρησιμοποιείται ως υποκατάστατο για σωστή εγκατάσταση, χρήση και συντήρηση συσκευών καύσης καυσίμων, συμπεριλαμβανομένων κατάλληλων συστημάτων εξαερισμού και απαγωγής καυσαερίων.

Οι ειδοποιήσεις του CO monitor για κινητά και tablet απαιτούν λειτουργική σύνδεση Wi-Fi για να λειτουργήσουν. Δεν αποτελούν υποκατάστατο κάποιας υπηρεσίας παρακολούθησης περιστατικών έκτακτης ανάγκης.

### ΟΔΗΓΙΕΣ ΑΣΦΑΛΕΙΑΣ ΔΙΑΧΥΤΗ

Χρησιμοποιείτε μόνο αρωματικό έλαιο που συνιστάται ή παρέχεται από την HOOVER.

Αποφύγετε τη χρήση αυτόνομου υγραντήρα δίπλα στο Air-Purifier όταν χρησιμοποιείτε τη λειτουργία Diffuser (Διαχυτής) του H-Essence.

Σκουπίστε αμέσως τυχόν διαρροές του H-Essence. Βεβαιωθείτε ότι έχετε καθαρίσει κάθε γωνία του προϊόντος που ήρθε σε επαφή με το H-Essence.

#### Περιβάλλον

Αυτή η συσκευή φέρει σήμανση σύμφωνα με την υπ' αριθμ 2012/19/EU, οδηγία για Απόβλητα Ηλεκτρικού και Ηλεκτρονικού Εξοπλισμού (WEEE). Η σωστή απόσυρση της συσκευής συμβάλλει στην αποφυγή αρνητικών επιπτώσεων για το περιβάλλον και τον άνθρωπο που μπορεί να προκληθούν από την λανθασμένη διαχείριση στην διαδικασία απόσυρσης της συσκευής.

Το σύμβολο πάνω σε αυτή τη συσκευή υποδεικνύει ότι αυτή η συσκευή δεν μπορεί να αντιμετωπιστεί σαν κοινό οικιακό απόρριμμα. Αντίθετα, πρέπει να παραδοθεί στο πλησιέστερο κέντρο συλλογής για την ανακύκλωση ηλεκτρικού και ηλεκτρονικού εξοπλισμού. Η απόρριψη της συσκευής πρέπει να γίνει σύμφωνα με την ισχύουσα κατά τόπο νομοθεσία για την απόρριψη ηλεκτρονικών και ηλεκτρικών αποβλήτων. Για πιο λεπτομερείς πληροφορίες σχετικά με την επεξεργασία, την ανάκτηση και την ανακύκλωση αυτής της συσκευής, επικοινωνήστε με την κατά τόπους αρμόδια αρχή, την υπηρεσία αποκομιδής οικιακών απορριμμάτων ή το κατάστημα από το οποίο αγοράσατε τη συσκευή.



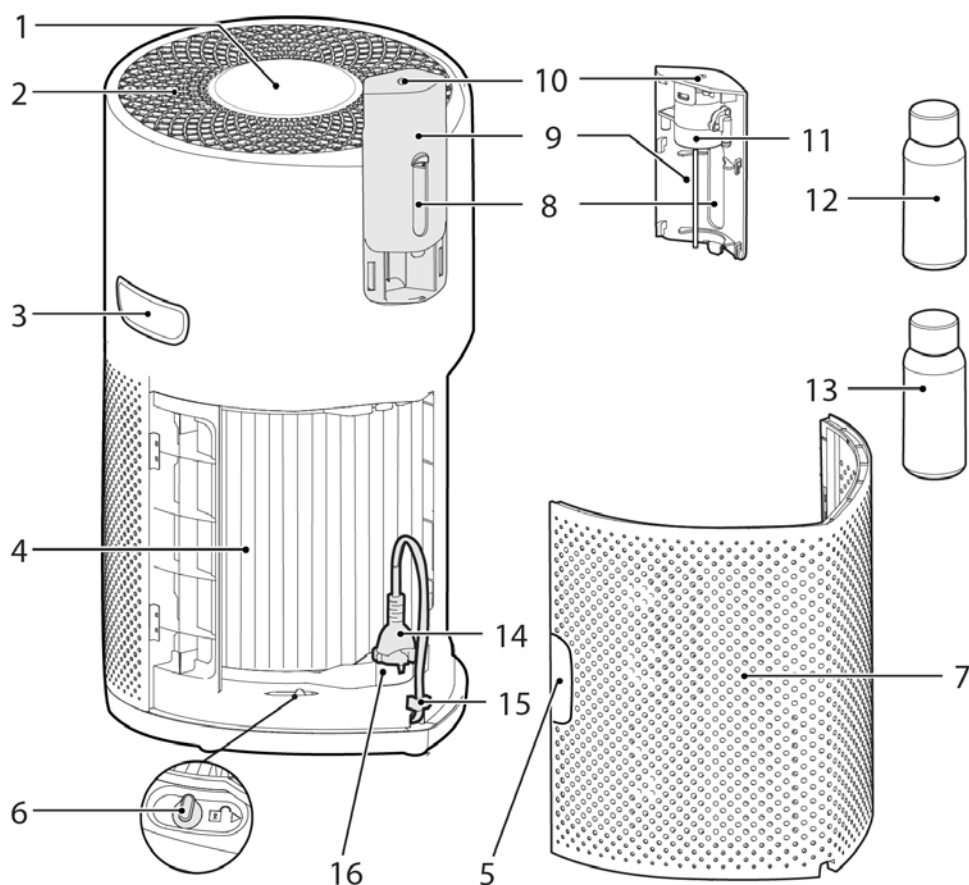
#### Παράμετροι ασύρματης σύνδεσης για σύζευξη

Τεχνολογία	Wi-Fi	Bluetooth
Κανονικός	IEEE 802.11 b/g/n	Bluetooth v4.2,BLE
Ζώνες συχνότητας (MHz)	2401~2483	2402~2480
Μέγιστη ισχύς (mW)	100	10
Μέγιστη ισχύς ραδιοσυχνότητας που μεταδίδεται στη ζώνη συχνότητας.	18.9 dBm	

Με την παρούσα, η Candy Hoover Group Srl δηλώνει ότι ο ραδιοεξοπλισμός συμμορφώνεται με την οδηγία 2014/53/EE. Το πλήρες κείμενο της δήλωσης συμμόρφωσης EE διατίθεται στην ακόλουθη διαδικτυακή διεύθυνση: [www.candy-group.com](http://www.candy-group.com)

CANDY HOOVER GROUP S.r.l. Via Privata Eden Fumagalli, 20861 Brugherio (MB) Italy

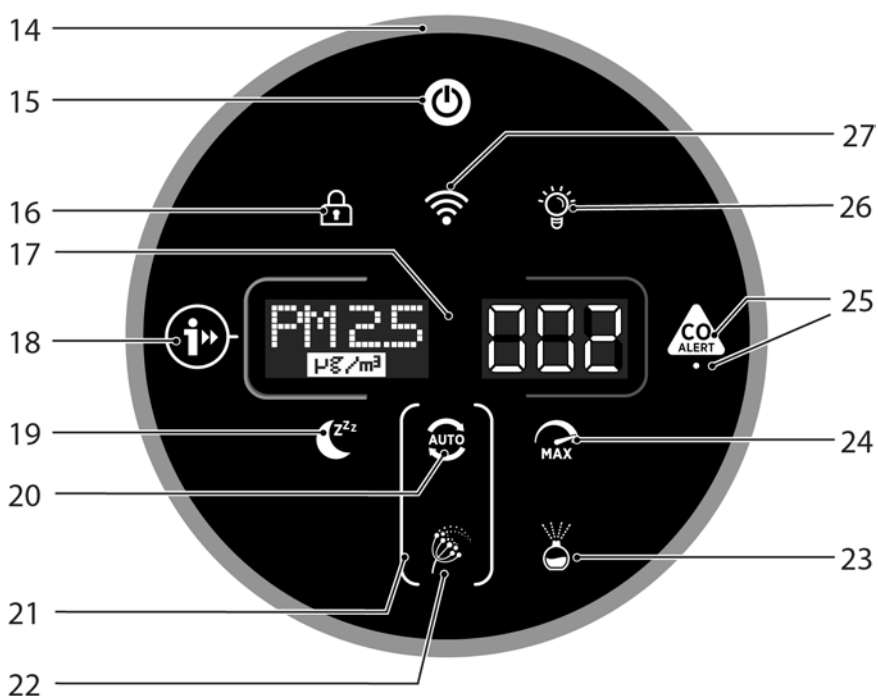
## 1. ΕΞΟΙΚΕΙΩΣΗ ΜΕ ΤΟΝ H-PURIFIER



1	Πάνελ λειτουργιών / Οθόνη
2	Έξοδος αέρα
3	Λαβή μεταφοράς προϊόντος
4	Σύστημα φίλτρου
5	Λαβή καλύμματος εισόδου αέρα
6	Διακόπτης απελευθέρωσης φίλτρου

7	Κάλυμμα εισόδου αέρα
8	Παράθυρο διαχύτη
9	Κάλυμμα διαχύτη
10	Έξοδος διαχύτη
11	Μονάδα διάχυσης

12	Φιάλη H-Essence
13	Φιάλη H-Biotics
14	Καλώδιο τροφοδοσίας και φιλς
15	Άγκιστρο Αποθήκευσης
16	Αποθήκευση καλωδίου



14	Δαχτυλίδι LED Ποιότητας Αέρα
15	Κουμπί τροφοδοσίας
16	Κουμπί παιδικού κλειδώματος
17	Ψηφιακή οθόνη
18	Κουμπί πληροφοριών
19	Κουμπί Λειτουργίας ύπνου
20	Κουμπί αυτόματης λειτουργίας
21	Λυχνία κύκλου αλλεργίας γύρης
22	Λυχνία αλλεργίας γύρης
23	Κουμπί διαχύτη
24	Κουμπί λειτουργίας Max Mode
25	Κουμπί & LED Συνεργισμού CO
26	Κουμπί ελέγχου φωτός
27	Πλήκτρο Wi-Fi

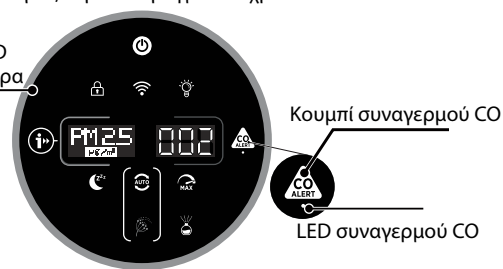
## 1.1 ΣΥΣΤΗΜΑ ΠΟΛΛΑΠΛΩΝ ΑΙΣΘΗΤΗΡΩΝ

Χάρη στο σύστημα πολλαπλών αισθητήρων, το προϊόν σας θα παρακολουθεί συνεχώς την κατάσταση του αέρα των εσωτερικών χώρων σε όρους PM10, PM2.5 και πτητικών οργανικών ενώσεων (GAS)

Κάθε φορά που ενεργοποιείτε το προϊόν σας, το σύστημα πολλαπλών αισθητήρων θα αρχίζει να αναλύει την ποιότητα του αέρα των εσωτερικών χώρων και ο δακτύλιος LED ποιότητας αέρα θα ανάβει με διαφορετικά χρώματα που αντιπροσωπεύουν συνθήκες ποιότητας αέρα σε πραγματικό χρόνο.

Χρώμα Δακτύλιο LED Ποιότητας Αέρα	Ποιότητα αέρα εσωτερικών χώρων	Τιμή PM 10* $\mu\text{g}/\text{m}^3$	Τιμή PM 2,5 $\mu\text{g}/\text{m}^3$	Επίπεδα VOC Αερίων
ΠΡΑΣΙΝΟ	Εξαιρετική	0-50	0-25	L1
ΚΙΤΡΙΝΟ	Ικανοποιητική	50-80	25-50	L2
ΠΟΡΤΟΚΑΛΙ	Κακή	80-160	50-100	L3
ΚΟΚΚΙΝΟ	Πολυ κακή	$\geq 160$	$\geq 100$	L4

Δακτυλίδι LED Ποιότητας Αέρα



Κουμπί συναγερμού CO

LED συναγερμού CO

\* Στη λειτουργία αλλεργίας γύρης (Pollen Allergy Mode), οι τιμές PM 10 που ενεργοποιούν το επίπεδο ποιότητας του αέρα θα είναι χαμηλότερες για την ελαχιστοποίηση του κινδύνου για αλλεργικά άτομα.

## 1.2 ΣΥΝΑΓΕΡΜΟΣ ΜΟΝΟΞΕΙΔΙΟΥ ΤΟΥ ΑΝΘΡΑΚΑ (CO)

Ο H-Purifier είναι εξοπλισμένος με σύστημα συναγερμού που παρακολουθεί συνεχώς τον αέρα του εσωτερικού χώρου για Μονοξείδιο του άνθρακα (CO).

Όταν ενεργοποιηθεί ο συναγερμός μονοξειδίου του άνθρακα, ο δακτύλιος LED ποιότητας ΑΕΡΑ και το κουμπί ειδοποίησης CO αναβοσβήνουν ταυτόχρονα με κόκκινο χρώμα και ακούγεται ένας ηχητικός συναγερμός. Ο συναγερμός θα παραμείνει ενεργός έως ότου η συγκέντρωση του μονοξειδίου του άνθρακα (CO) μειωθεί σε λιγότερο από 50 ppm, εκτός εάν τον σιγήσετε εσείς πατώντας το κουμπί CO Alert για 3 δευτερόλεπτα. Η ένδειξη CO Alert δείχνει την κατάσταση λειτουργίας του αισθητήρα CO. Ανάβει σε πράσινο χρώμα όταν ο αισθητήρας CO βρίσκεται σε κανονική κατάσταση, σε κίτρινο χρώμα όταν ο αισθητήρας δυσλειτουργεί ή υπερβαίνει τη διάρκεια ζωής του και σε κόκκινο χρώμα όταν ενεργοποιείται η ειδοποίηση CO. Μπορείτε να ελέγξετε εάν ο συναγερμός λειτουργεί σωστά πατώντας το κουμπί ειδοποίησης CO για 3 δευτερόλεπτα, ένας δυνατός ήχος βομβητή θα ακουστεί για 5 δευτερόλεπτα εάν ο συναγερμός λειτουργεί σωστά.

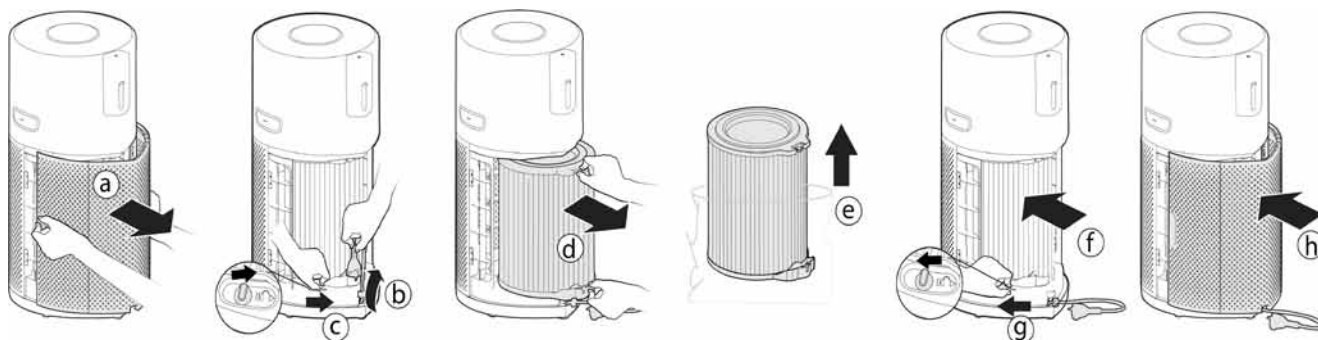
## 2. ΠΡΟΕΤΟΙΜΑΣΙΑ ΤΟΥ H-PURIFIER

### 2.1 ΕΓΚΑΤΑΣΤΗΣΤΕ ΤΟ ΦΙΛΤΡΟ [Εικ. 1]

Πριν χρησιμοποιήσετε το προϊόν H-Purifier, θα πρέπει να αφαιρέσετε το φίλτρο από την προστατευτική του συσκευασία:

- Αφαιρέστε το κάλυμμα εισόδου αέρα από το προϊόν σας, πιάστε τις δύο λαβές του καλύμματος εισόδου αέρα και τραβήξτε το από το προϊόν. [Εικ. 1a]
- Αφαιρέστε το φιλ από τη θέση μεταφοράς και αποδεσμεύστε το καλώδιο από το άγκιστρο αποθήκευσης. [Εικ. 1b]
- Απασφαλίστε τον διακόπτη απελευθέρωσης του φίλτρου. [Εικ. 1c]
- Βγάλτε το φίλτρο από το προϊόν σας και αφαιρέστε την εξωτερική συσκευασία. [Εικ. 1d,e]
- Τοποθετήστε ξανά το φίλτρο στο προϊόν σας. [Εικ. 1f]
- Ασφαλίστε τον διακόπτη απελευθέρωσης φίλτρου. [Εικ. 1g]
- Τοποθετήστε ξανά το κάλυμμα εισόδου αέρα στο προϊόν σας. [Εικ. 1h]

Εικ. 1

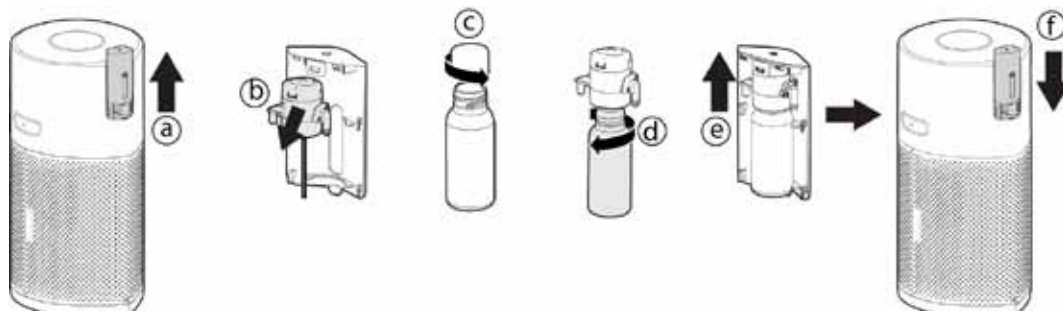


### 2.2 ΕΓΚΑΤΑΣΤΗΣΤΕ ΤΗΝ ΦΙΑΛΗ ΤΟΥ ΔΙΑΧΥΤΗ [Εικ. 2]

Για να προετοιμάσετε το προϊόν H-Purifier για τη λειτουργία Διάχυσης:

- Αφαιρέστε το κάλυμμα του διαχύτη από το προϊόν. [Εικ. 2a]
- Αφαιρέστε τη μονάδα διαχύτη από το κάλυμμα του διαχύτη. [Εικ. 2b]
- Αφαιρέστε την φιάλη H-Essence ή H-Biotics από τη συσκευασία και βγάλτε το καπάκι. [Εικ. 2c]
- Κρατήστε το καπάκι για μελλοντική αποθήκευση.
- Βιδώστε καλά τη φιάλη στην μονάδα Διάχυσης. [Εικ. 2d]
- Τοποθετήστε ξανά την μονάδα διάχυσης στο κάλυμμα του διαχύτη. [Εικ. 2e]
- Τοποθετήστε ξανά το κάλυμμα του διαχύτη στο προϊόν. [Εικ. 2f]

Εικ. 2



### 3. ΧΡΗΣΙΜΟΠΟΙΗΣΤΕ ΤΟΝ Η-PURIFIER ΣΑΣ

#### 3.1 ΑΝΑΨΤΕ ΤΟ ΠΡΟΪΟΝ [Εικ. 4]:

Τραβήξτε το καλώδιο τροφοδοσίας από τον κύλινδρο καλωδίου και συνδέστε το σε μια πρίζα. Όλα τα φώτα στον Πίνακα Ελέγχου/Οθόνη θα ανάψουν πλήρως για περίπου 1 δευτερόλεπτο υποδεικνύοντας μια επιτυχημένη σύνδεση. Το κουμπί ΤΡΟΦΟΔΟΣΙΑΣ θα ανάψει ελαφρώς και το LED συναγερμού CO θα ανάψει υποδεικνύοντας ότι ο ειδικός αισθητήρας έχει αρχίσει να λειτουργεί για την παρακολούθηση του επιπέδου μονοξειδίου του άνθρακα του εσωτερικού χώρου.

Για να ενεργοποιήσετε το προϊόν σας, πατήστε το κουμπί ΤΡΟΦΟΔΟΣΙΑΣ (POWER) στην οθόνη. Ο δακτύλιος LED Ποιότητας Αέρα θα ανάψει διαδοχικά σε όλα τα χρώματα, ενώ οι αισθητήρες αναλύουν την κατάσταση του αέρα σε πραγματικό χρόνο. Μετά από λίγα δευτερόλεπτα, ο δακτύλιος LED Ποιότητας Αέρα θα επιλέξει το κατάλληλο χρώμα για την ποιότητα του αέρα εκείνη τη στιγμή. Το προϊόν Η-Purifier θα μπει αμέσως σε λειτουργία AUTO MODE και θα αρχίσει να καθαρίζει τον εσωτερικό αέρα. Το κουμπί AUTO MODE (Τρόπος λειτουργίας AUTO), το κουμπί INFORMATION (Πληροφορίες), το κουμπί LIGHT CONTROL (Ελεγχος φωτός) και οι πληροφορίες PM10 στην οθόνη θα ανάψουν.

#### 3.2 ΣΥΝΔΕΣΤΕ ΤΟΝ Η-PURIFIER:

Για να αποκτήσετε πρόσβαση σε όλες τις λειτουργίες του Η-Purifier από οπουδήποτε, προτείνεται να κάνετε λήψη της εφαρμογής hOn. Θα μπορείτε να ελέγχετε το προϊόν σας με τον πιο αποτελεσματικό τρόπο.

#### Οδηγίες:

1. Πραγματοποιήστε λήψη της εφαρμογής hOn από το Apple App Store, το Google Play στο Huawei App Gallery. Μπορείτε επίσης να την κατεβάσετε σαρώνοντας τον κωδικό QR στην **[Εικ. 5]**
2. Ανοίξτε την εφαρμογή, δημιουργήστε έναν λογαριασμό με το e-mail και τον κωδικό πρόσβασής σας.
3. Επιβεβαιώστε και συνδεθείτε στην εφαρμογή hOn.
4. Βεβαιωθείτε ότι η κινητή συσκευή σας είναι συνδεδεμένη σε Wi-Fi.
5. Βεβαιωθείτε ότι ο Η-Purifier είναι ενεργοποιημένος. Πατήστε και κρατήστε πατημένο το κουμπί Wi-Fi στην οθόνη για 5 δευτερόλεπτα, θα ακούγεται μια ηχητική ένδειξη και το κουμπί Wi-Fi θα αρχίσει να αναβοσβήνει υποδεικνύοντας ότι περιμένει μια σύνδεση. **[Εικ. 6]**
6. Ακολουθήστε τις οδηγίες της εφαρμογής για να συνδέσετε την κινητή συσκευή σας στο προϊόν σας.
7. Όταν επιτευχθεί η σύζευξη, το κουμπί Wi-Fi στο προϊόν θα παραμείνει φωτισμένο.
8. Για να επαναφέρετε το Wi-Fi, πατήστε παρατεταμένα το κουμπί Wi-Fi για 5 δευτερόλεπτα.

Ο Η-Purifier συνεργάζεται επίσης με το Hey Google και το Amazon Alexa.

#### 3.3 ΑΝΑΚΑΛΥΨΤΕ ΟΛΕΣ ΤΙΣ ΛΕΙΤΟΥΡΓΙΕΣ

##### Λειτουργία ΠΛΗΡΟΦΟΡΙΩΝ (INFORMATION Function) [Εικ. 7]:

Υπάρχουν 6 διαφορετικά σύνολα δεδομένων διαθέσιμα για παρακολούθηση: PM10, PM2.5, GAS, Θερμοκρασία, Υγρασία και Κατάσταση φίλτρου.

Για την παρακολούθηση κάθε τιμής απλώς πατήστε διαδοχικά το κουμπί ΠΛΗΡΟΦΟΡΙΩΝ (Information Button). Από προεπιλογή, στην οθόνη θα εμφανίζονται τα δεδομένα PM10, το μηχάνημα θα θυμάται την τελευταία επιλογή του χρήστη και θα διατηρήσει αυτήν την επιλογή την επόμενη φορά που θα ενεργοποιηθεί το προϊόν. Τα δεδομένα GAS θα δείξουν έναν περιστρεφόμενο δρομέα κατά τα αρχικά 3 λεπτά από την ενεργοποίηση του προϊόντος ενώ ο αισθητήρας GAS εκτελεί κύκλο βαθμονόμησης.

##### Περισσότερες πληροφορίες σχετικά με PM 2.5, PM 10 και GAS:

Το PM υποδεικνύει λεπτά σωματίδια (μη ορατά από το ανθρώπινο μάτι) που προέρχονται κυρίως από εξωτερική ρύπανση, όπως οχήματα και βιομηχανικές εκπομπές και ενδέχεται να είναι επικίνδυνα για την υγεία μας, σε περίπτωση παρατεταμένης έκθεσης. Τα PM 10 έχουν μέγεθος έως 10 μm και μπορούν να διεισδύσουν στην άνω αναπνευστική οδό (μύτη, τραχεία, φάρυγγα). Τα PM 2.5 έχουν μέγεθος έως 2,5 μm και δεδομένης της μικρής τους διάστασης, μπορούν να φτάσουν στους πνευμονές μας, διεισδύοντας έτσι βαθύτερα στο σώμα μας. Τα GAS VOC (πηκτικές οργανικές ενώσεις) είναι πτητικές χημικές ενώσεις οι οποίες έχουν την ικανότητα να εξατμίζονται εύκολα στον αέρα σε θερμοκρασία δωματίου. Αποσμητικά, απορρυπαντικά, κόλλες, συγκολλητικές ουσίες, καλλυντικά και η φορμαλδεΐδη είναι μόνο μερικά από τα VOC που ενδέχεται να υπάρχουν μέσα στα σπίτια μας, ωστόσο είναι δυνητικά επιβλαβή για την υγεία μας σε περίπτωση παρατεταμένης έκθεσης.

##### Λειτουργίες MODE:

Υπάρχουν 3 διαθέσιμοι τρόποι καθαρισμού του αέρα: ΑΥΤΟΜΑΤΗ ΛΕΙΤΟΥΡΓΙΑ, AUTO MODE, MAX MODE & ΛΕΙΤΟΥΡΓΙΑ ΥΠΝΟΥ, SLEEP MODE.

Η αυτόματη λειτουργία (Auto Mode) είναι η προεπιλεγμένη ρύθμιση για το προϊόν σας όταν ενεργοποιείται, όλες οι λειτουργίες μπορούν να επιλεγούν με μη αυτόματο τρόπο πατώντας το σχετικό κουμπί στην οθόνη. Η λειτουργία Αλλεργία γύρης (POLLEN ALLERGY) μπορεί επίσης να ενεργοποιηθεί μέσω της εφαρμογής hOn.

##### ΑΥΤΟΜΑΤΗ ΛΕΙΤΟΥΡΓΙΑ, AUTO MODE [Εικ. 8]:

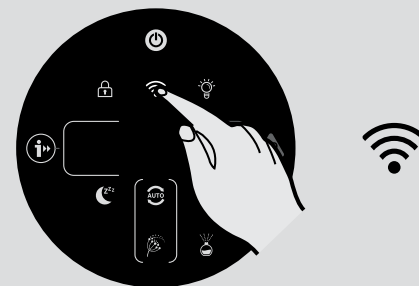
Αυτή είναι η προεπιλεγμένη λειτουργία του προϊόντος Η-Purifier κατά την πρώτη ενεργοποίησή του. Στην αυτόματη λειτουργία, ο Η-Purifier προσαρμόζει αυτόματα την ταχύτητα του ανεμιστήρα του στο πραγματικό επίπεδο ποιότητας του εσωτερικού αέρα, ώστε να εγγυάται πάντα βέλτιστο καθαρισμό του αέρα. Αυτή είναι η συνιστώμενη ρύθμιση για το προϊόν σας. Σε λειτουργία AUTO, μετά από 30 λεπτά εξαιρετικής ποιότητας αέρα, το προϊόν σας θα μπει σε λειτουργία ECO (λειτουργία αναμονής) με παύση της λειτουργίας καθαρισμού (ανεμιστήρας), το σύστημα πολλαπλών αισθητήρων θα συνεχίσει να αναλύει τον εσωτερικό αέρα και θα ενεργοποιεί αυτόματα λειτουργία καθαρισμού όταν απαιτείται.



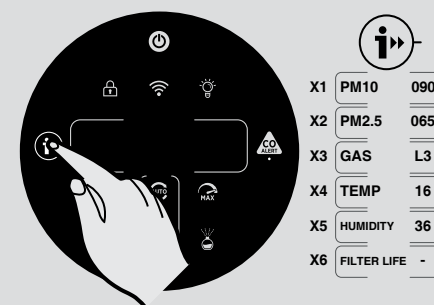
Εικ. 4



Εικ. 5



Εικ. 6



Εικ. 7



Εικ. 8



**ΛΕΙΤΟΥΡΓΙΑ ΣΤΟ ΜΕΓΙΣΤΟ ΕΠΙΠΕΔΟ, MAX MODE [Εικ. 9]:**

Πατήστε το κουμπί λειτουργίας ΣΤΟ ΜΕΓΙΣΤΟ ΕΠΙΠΕΔΟ (MAX MODE) στην οθόνη για να ενεργοποιήσετε τον καθαρισμό αέρα στη ρύθμιση μέγιστης ισχύος. Για έξοδο από τη λειτουργία ΣΤΟ ΜΕΓΙΣΤΟ ΕΠΙΠΕΔΟ (MAX MODE) απλώς επιλέξτε τη λειτουργία AUTO ή SLEEP.

**ΛΕΙΤΟΥΡΓΙΑ ΥΠΝΟΥ, SLEEP MODE [Εικ. 10]:**

Πατήστε το κουμπί λειτουργίας ΥΠΝΟΥ για να ενεργοποιήσετε τον καθαρισμό του αέρα στην αθόρυβη χαμηλότερη ρύθμιση ισχύος. Το κουμπί λειτουργίας ΥΠΝΟΥ (SLEEP MODE) θα ανάψει αγνά και όλα τα άλλα φώτα της οθόνης θα σβήσουν. Αυτό μπορεί να τροποποιηθεί πατώντας το κουμπί LIGHT CONTROL (Έλεγχος φωτός).

**ΛΕΙΤΟΥΡΓΙΑ ΑΛΛΕΡΓΙΑΣ ΣΕ ΓΥΡΗ, POLLEN ALLERGY MODE: [Εικ. 11]**

Η λειτουργία ΑΛΛΕΡΓΙΑΣ ΣΕ ΓΥΡΗ (POLLEN ALLERGY) μπορεί επίσης να ενεργοποιηθεί μέσω της εφαρμογής hOn. Θα πρέπει πρώτα να ενεργοποιήσετε και να καταχωρήσετε ένα προφίλ στην εφαρμογή, προκειμένου να δημιουργήσετε το προφίλ σας Αλλεργίας σε γύρη, Pollen Allergy. Η λειτουργία Αλλεργίας σε γύρη (Pollen Allergy), λειτουργεί μόνο όταν έχει επιλεγεί η ΑΥΤΟΜΑΤΗ ΛΕΙΤΟΥΡΓΙΑ, AUTO MODE. [Εικ. 11c]

Στη λειτουργία Αλλεργίας σε γύρη (Pollen Allergy), η συσκευή λαμβάνει συνεχώς δεδομένα σε πραγματικό χρόνο από την εφαρμογή σχετικά με την παρακολούθηση της συγκέντρωσης γύρης σε εξωτερικούς χώρους και λειτουργεί αυτόματα για τη μεγιστοποίηση της απόδοσης δέσμησης γύρης.

Μετά τη δέσμηση της γύρης, αυτή απενεργοποιείται για βοήθεια στην ανακούφιση των αλλεργικών συμπτωμάτων.

Όταν η λειτουργία Αλλεργίας σε γύρη (Pollen Allergy), ενεργοποιείται στην εφαρμογή, υπάρχουν 2 πιθανές λυχνίες ειδοποίησης στην οθόνη του προϊόντος:

- Η λυχνία Αλλεργίας Γύρης (Pollen Allergy) είναι ΛΕΥΚΗ [Εικ. 11a]: Η συσκευή και η εφαρμογή παρακολουθούν την παρουσία γύρης σε εξωτερικούς χώρους και δεν υπάρχει κίνδυνος.

- Η λυχνία Αλλεργίας Γύρης (Pollen Allergy), γίνεται ΚΙΤΡΙΝΗ και η λυχνία Κύκλου Αλλεργίας Γύρης (Pollen Allergy Circle) είναι ΛΕΥΚΗ [Εικ. 11b]: Η συσκευή και η εφαρμογή εντόπισαν κίνδυνο.

Εάν το προϊόν τεθεί με μη αυτόματα τρόπο σε λειτουργία SLEEP ή MAX ενώ είναι ενεργοποιημένη η λειτουργία Αλλεργία Γύρης (Pollen Allergy), η λειτουργία Αλλεργία Γύρης θα σταματήσει.

**Λειτουργία ΕΛΕΓΧΟΥ ΦΩΤΙΣΜΟΥ (LIGHT CONTROL): [Εικ. 12]**

Υπάρχουν 3 διαθέσιμες ρυθμίσεις για τον φωτισμό της οθόνης, On, Dim & Off

Για να ρυθμίσετε τη φωτεινότητα της οθόνης, απλώς πατήστε το κουμπί LIGHT CONTROL (Έλεγχος φωτός) στην οθόνη για να περιηγηθείτε στις 3 διαθέσιμες επιλογές. Το ON είναι η προεπιλεγμένη ρύθμιση.

Εάν επιλέξετε OFF, οποιοδήποτε άλλο κουμπί θα πρέπει να πατηθεί δύο φορές για ενεργοποίηση, μετά από ένα πάτημα, τα φώτα θα ανάψουν ΑΧΝΑ, στο δεύτερο πάτημα η λειτουργία θα ενεργοποιηθεί.

**Λειτουργία ΠΑΙΔΙΚΟΥ ΚΛΕΙΔΩΜΑΤΟΣ (CHILD LOCK): [Εικ. 13]**

Πατήστε και κρατήστε πατημένο το κουμπί CHILD LOCK για 3 δευτερόλεπτα για ενεργοποίηση, ακούγεται μια ηχητική ειδοποίηση όταν ενεργοποιηθεί και το κουμπί CHILD LOCK θα παραμείνει αναμμένο. Δεν θα λειτουργούν τα άλλα κουμπιά όταν είναι ενεργοποιημένα.

Για έξοδο, απλώς πατήστε και κρατήστε πατημένο το κουμπί CHILD LOCK για 3 δευτερόλεπτα, ακούγεται μια ηχητική ειδοποίηση επιβεβαιώνοντας ότι απενεργοποιήθηκε και το κουμπί δεν θα ανάβει πλέον.

**Λειτουργία DIFFUSER (ΔΙΑΧΥΤΗΣ): [Εικ. 14]**

Ο διαχύτης διασκορπίζει στον αέρα του δωματίου H-Essence ή H-Biotics. Το H-Essence είναι η συλλογή αιθέριων ελαίων Hoover για απελευθέρωση απολαυστικών αρωμάτων στον αέρα.

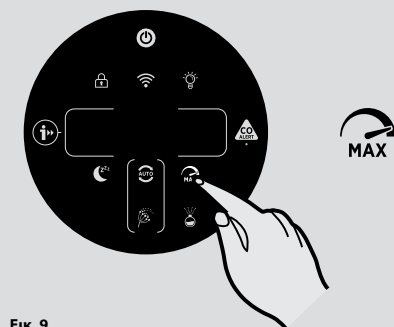
Το H-Biotics είναι ένα φυσικό μείγμα που βασίζεται σε προβιοτικά που διατηρεί το δωμάτιο βιο-εξυγιασμένο αναστέλλοντας την ανάπτυξη μικροοργανισμών όπως βακτήρια ή μικρόβια.

Υπάρχουν 4 διαφορετικές ρυθμίσεις για τη λειτουργία του ΔΙΑΧΥΤΗ, ΗΠΙΑ - SOFT, ΜΕΣΑΙΑ - ΜΕΣΑΙΑ (MEDIUM), ΠΡΟΣΑΡΜΟΣΜΕΝΗ - ΕΞΑΤΟΜΙΚΕΥΜΕΝΟ (CUSTOM) & Η-BIOTICS. Για να ενεργοποιήσετε αυτήν τη λειτουργία, απλώς πατήστε το κουμπί Διαχύτη στην οθόνη, η προεπιλεγμένη ρύθμιση για αυτήν τη λειτουργία είναι Ήπια (SOFT), για να επιλέξετε οποιαδήποτε από τις άλλες ρυθμίσεις απλά πατήστε διαδοχικά το κουμπί για να αλλάξετε στην επιθυμητή επιλογή. Το κουμπί θα ανάψει λευκό όταν ενεργοποιηθεί.

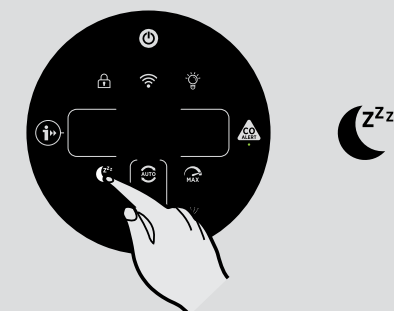
Συνιστάται η χρήση των ρυθμίσεων SOFT & ΜΕΣΑΙΑ (MEDIUM) για το H-Essence.

Η ρύθμιση CUSTOM μπορεί να δημιουργηθεί μόνο στην εφαρμογή hOn.

Όταν χρησιμοποιείτε το H-Biotics, η ρύθμιση ΠΡΕΠΕΙ να οριστεί σε H-Biotics. Αφού ο χρήστης ενεργοποιήσει το H-Biotics με την ΕΦΑΡΜΟΓΗ, αυτό θα δώσει μια ειδοποίηση για την "ΕΝΕΡΓΟΠΟΙΗΣΗ Η-BIOTICS" μετά από 120 ώρες για να εξασφαλίσει τη χρήση των H-biotics κάθε 5 ημέρες.



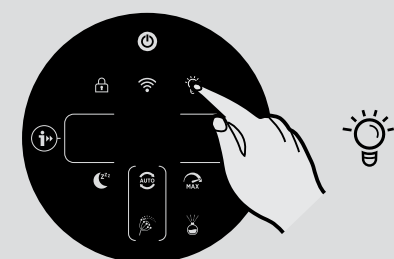
Εικ. 9



Εικ. 10



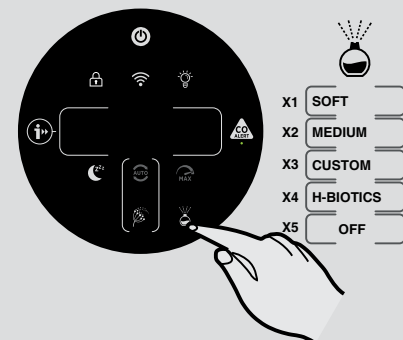
Εικ. 11



Εικ. 12



Εικ. 13



Εικ. 14

Όταν χρησιμοποιείτε το H-Essence σε ορισμένες ρυθμίσεις ή περιβάλλον δωματίου, το επίπεδο GAS VOC ενδέχεται να αλλάξει λόγω της ανίχνευσης των αρωμάτων. Η λειτουργία διαχύτη είναι ενεργή μόνο όταν ο δακτύλιος LED ποιότητας αέρα είναι σε πράσινο χρώμα, θα σταματήσει όταν ο δακτύλιος LED δεν είναι πράσινος και θα συνεχίσει να λειτουργεί όταν επανέλθει στο πράσινο. Ο διαχύτης μπορεί να χρησιμοποιηθεί μόνο στις λειτουργίες AUTO & MAX και δεν μπορεί να χρησιμοποιηθεί σε λειτουργία SLEEP.

Κατά την ενεργοποίηση της λειτουργίας Diffuser στο AUTO, ο κύριος ανεμιστήρας θα λειτουργεί με συγκεκριμένη ταχύτητα για να βοηθήσει στη μετάδοση του H-Essence ή του H-Biotics στο δωμάτιο.

Ρύθμιση	Χρόνος διάχυσης	Μέγιστη διάρκεια κύκλου
ΗΠΙΑ (SOFT)	για 10 δευτερόλεπτα κάθε 5 λεπτά	6 ώρες
ΜΕΣΑΙΑ (MEDIUM)	για 90 δευτερόλεπτα κάθε 3,5 λεπτά	6 ώρες
ΕΞΑΤΟΜΙΚΕΥΜΕΝΟ (CUSTOM)	Ορισμένο από τον χρήστη	6 ώρες
H-BIOTICS	για 2 λεπτά κάθε 4 λεπτά	6 ώρες

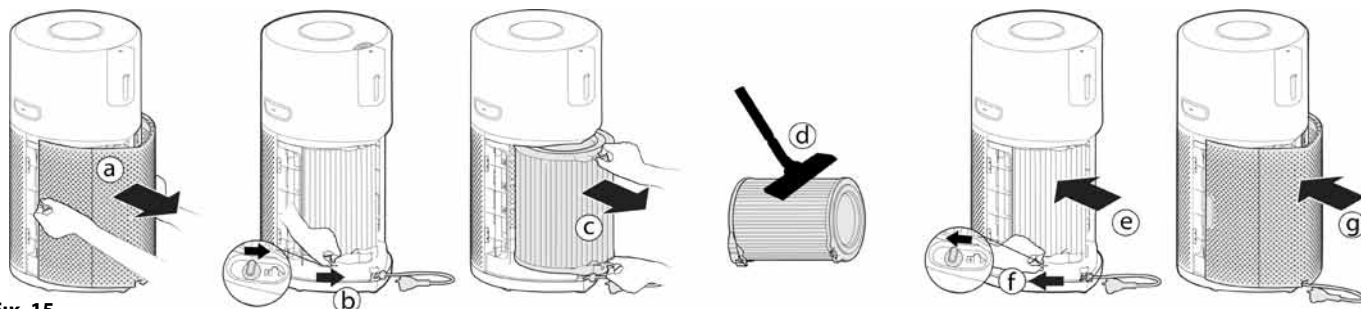
## 4. ΣΥΝΤΗΡΗΣΗ ΤΟΥ H-PURIFIER ΣΑΣ

### 4.1 ΣΥΝΤΗΡΗΣΗ ΦΙΛΤΡΟΥ

Ο H-Purifier θα παρακολουθεί την κατάσταση του φίλτρου σας. Στην αριστερή πλευρά της οθόνης θα εμφανιστεί μια ειδοποίηση **ΚΑΘΑΡΙΣΜΟΥ ΦΙΛΤΡΟΥ (Clean Filter)** ή **ΑΝΤΙΚΑΤΑΣΤΑΣΗΣ ΦΙΛΤΡΟΥ (Replace Filter)** και μια αναλαμπή που υποδεικνύει ότι απαιτείται ενέργεια για τον καθαρισμό ή την αλλαγή του φίλτρου.

#### Καθαρισμός/αντικατάσταση του φίλτρου: [Εικ. 15]

- Αφαιρέστε το κάλυμμα εισόδου αέρα από το προϊόν σας. [Εικ. 15a]
- Απασφαλίστε τον διακόπτη απελευθέρωσης του φίλτρου. [Εικ. 15b]
- Αφαιρέστε το φίλτρο από το προϊόν σας. [Εικ. 15c]
- Χρησιμοποιήστε μια ηλεκτρική σκούπα για να καθαρίσετε το εξωτερικό στρώμα του φίλτρου ή αντικαταστήστε με NEO φίλτρο. [Εικ. 15d]
- Τοποθετήστε ξανά το φίλτρο στο προϊόν σας. [Εικ. 15e]
- Ασφαλίστε τον διακόπτη απελευθέρωσης φίλτρου. [Εικ. 15f]
- Τοποθετήστε ξανά το κάλυμμα εισόδου αέρα στο προϊόν σας. [Εικ. 15g]
- Βάλτε τη συσκευή σας στην πρίζα και ενεργοποιήστε την.
- Πατήστε το κουμπί ΠΛΗΡΟΦΟΡΙΕΣ (Information) για να επαναφέρετε την ειδοποίηση Καθαρισμός/Αντικατάσταση κρατώντας πατημένο το κουμπί για 3 δευτερόλεπτα, θα ακουστεί μια ηχητική ειδοποίηση για να δείξει την επιτυχημένη επαναφορά. [Εικ. 7]



Εικ. 15

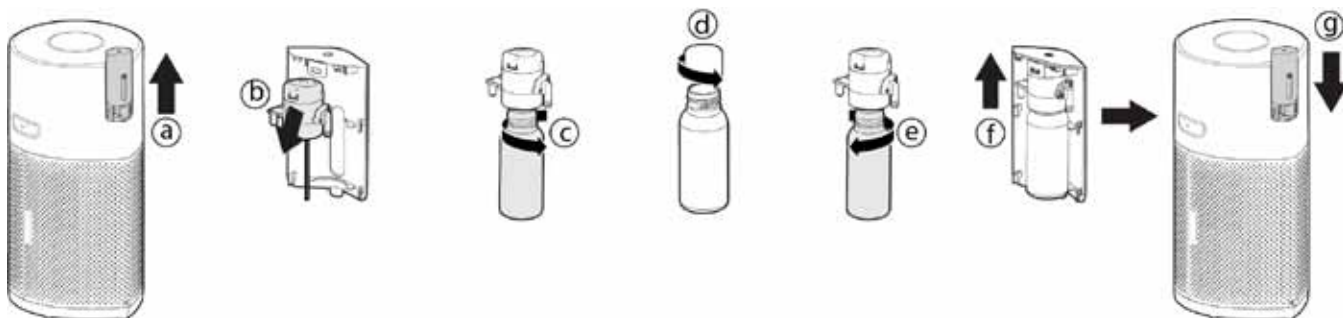
### 4.2 ΣΥΝΤΗΡΗΣΗ ΔΙΑΧΥΤΗ

Μετά από κάθε χρήση της λειτουργίας διαχύτη, χρησιμοποιήστε ένα στεγνό μαλακό πανί για να καθαρίσετε τυχόν υπολείμματα από τις επιφάνειες του προϊόντος.

#### Αντικατάσταση φιάλης διαχύτη: [Εικ. 16]

Ο όγκος του υγρού που απομένει στη φιάλη μπορεί να ελεγχθεί μέσω του παραθύρου Διαχύτη, όταν απαιτείται η αντικατάσταση της φιάλης.

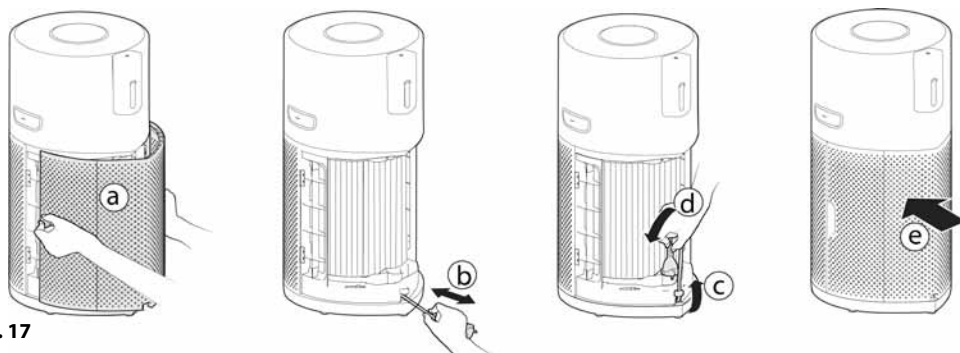
- Αφαιρέστε το κάλυμμα του διαχύτη από το προϊόν. [Εικ. 16a]
- Αφαιρέστε τη μονάδα διαχύτη & τη Φιάλη από το κάλυμμα του διαχύτη. [Εικ. 16b]
- Ξεβιδώστε και αφαιρέστε την άδεια φιάλη. [Εικ. 16c]
- Βγάλτε την καινούργια φιάλη H-Essence ή H-Biotics από τη συσκευασία και βγάλτε το καπάκι. [Εικ. 16d]
- Βιδώστε καλά τη φιάλη στην μονάδα διάχυσης. [Εικ. 16e]
- Τοποθετήστε ξανά την μονάδα διάχυσης στο κάλυμμα του διαχύτη. [Εικ. 16f]
- Τοποθετήστε ξανά το κάλυμμα του διαχύτη στο H-Purifier. [Εικ. 16g]



Εικ. 16

## 5. ΑΠΟΘΗΚΕΥΣΗ ΤΟΥ H-PURIFIER ΣΑΣ

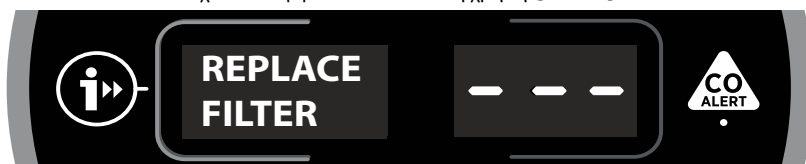
1. Απενεργοποιήστε τον H-Purifier και αποσυνδέστε το καλώδιο τροφοδοσίας.
2. Καθαρίστε όλες τις εσωτερικές και εξωτερικές επιφάνειες του H-Purifier και την εξωτερική στρώση του φίλτρου.
3. Βγάλετε τη φιάλη από το διαχύτη. Βάλτε ξανά το αρχικό καπάκι στη φιάλη και αποθηκεύστε την για προστασία από το άμεσο φως. Καθαρίστε τις επιφάνειες της μονάδας διαχύτη και του καλύμματος διαχύτη. Βεβαιωθείτε ότι δεν υπάρχει υπόλοιπο H-Essence ή H-Biotics σε οποιαδήποτε επιφάνεια του H-Purifier.
4. Βεβαιωθείτε ότι όλα τα εξαρτήματα είναι στεγνά.
5. Αφαιρέστε το κάλυμμα εισόδου αέρα [Εικ. 17a], τυλίξτε το καλώδιο τροφοδοσίας τραβώντας το καλώδιο [Εικ. 17b], τοποθετήστε το καλώδιο στο άγκιστρο αποθήκευσης και τοποθετήστε το βύσμα στην τοποθεσία μεταφοράς. [Εικ. 17c,d] Βάλτε ξανά το κάλυμμα εισόδου αέρα. [Εικ. 17e]
6. Αποθηκεύστε τον H-Purifier σε δροσερό και στεγνό μέρος.



Εικ. 17

## 6. ΕΙΔΟΠΟΙΗΣΕΙΣ & ΛΥΣΕΙΣ

Οι ακόλουθοι κωδικοί ενδέχεται να εμφανιστούν κατά τη χρήση. [Εικ. 18]



Εικ. 18

Συναγερμός		Περιγραφή συναγερμού	Επίλυση
Συναγερμός στο προϊόν	Ειδοποίηση στην ΕΦΑΡΜΟΓΗ		
"ΚΑΘΑΡΙΣΜΟΣ ΦΙΛΤΡΟΥ (CLEAN FILTER)"	Ειδοποίηση καθαρισμού προ-φίλτρου	Σύσταση να καθαρίσετε το εξωτερικό στρώμα του φίλτρου.	1. Καθαρίστε το εξωτερικό στρώμα του φίλτρου. 2. Επαναφέρετε την ειδοποίηση κρατώντας πατημένο το κουμπί ΠΛΗΡΟΦΟΡΙΕΣ (Information) για 3 δευτερόλεπτα. <b>Ανατρέξτε στο 4.1 ΣΥΝΤΗΡΗΣΗ ΦΙΛΤΡΟΥ</b>
"ΑΝΤΙΚΑΤΑΣΤΑΣΗ ΦΙΛΤΡΟΥ (REPLACE FILTER)"	Ειδοποίηση αντικατάστασης φίλτρου	Σύσταση να αντικαταστήσετε το φίλτρο.	1. Αντικαταστήστε το φίλτρο. 2. Επαναφέρετε την ειδοποίηση κρατώντας πατημένο το κουμπί ΠΛΗΡΟΦΟΡΙΕΣ (Information) για 3 δευτερόλεπτα. <b>Ανατρέξτε στο 4.1 ΣΥΝΤΗΡΗΣΗ ΦΙΛΤΡΟΥ</b>
"ΑΠΟΥΣΙΑ ΦΙΛΤΡΟΥ (FILTER MISSING)"	Σφάλμα: Παρουσιάστηκε σφάλμα στον καθαριστή αέρα, ελέγξτε πιθανές λύσεις	Το φίλτρο δεν είναι στη θέση του ή δεν είναι σωστά ασφαλισμένο	1. Εάν δεν υπάρχει φίλτρο, βάλτε το στην θέση του. 2. Εάν το φίλτρο είναι στη θέση του, ελέγξτε αν ο διακόπτης απελευθέρωσης φίλτρου είναι σε κατάσταση LOCK. <b>Ανατρέξτε στο 2.1 ΕΓΚΑΤΑΣΤΑΣΗ ΤΟΥ ΦΙΛΤΡΟΥ</b>
"ΣΦΑΛΜΑ ΑΙΣΘΗΤΗΡΑ PM"	/	Δυσλειτουργία αισθητήρα PM	Βλάβη αισθητήρα PM ή το καλώδιο αισθητήρα δεν έχει συνδεθεί καλά, καλέστε το κέντρο σέρβις για να το διορθώσουν.
Το LED συναγερμού CO είναι κίτρινο	Σφάλμα: Παρουσιάστηκε σφάλμα στον καθαριστή αέρα, ελέγξτε πιθανές λύσεις	Δυσλειτουργία του αισθητήρα CO ή ο αισθητήρας CO έχει υπερβεί τη διάρκεια ζωής του.	Καλέστε το κέντρο εξυπηρέτησης για να τον διορθώσουν.
/	Σφάλμα: Παρουσιάστηκε σφάλμα στον καθαριστή αέρα, ελέγξτε πιθανές λύσεις	Βλάβη κινητήρα	Βλάβη του κινητήρα ή το καλώδιο του κινητήρα δεν έχει συνδεθεί καλά, καλέστε το κέντρο σέρβις για να το διορθώσετε.
"ΣΦΑΛΜΑ ΑΙΣΘΗΤΗΡΑ ΘΕΡΜΟΚΡΑΣΙΑΣ & ΥΓΡΑΣΙΑΣ"	/	Δυσλειτουργία αισθητήρα θερμοκρασίας και υγρασίας	Βλάβη αισθητήρα θερμοκρασίας και υγρασίας ή το καλώδιο αισθητήρα δεν έχει συνδεθεί καλά, καλέστε την τεχνική υποστήριξη για να το διορθώσουν.
"ΠΑΥΣΗ"	/	Η λειτουργία του διαχύτη θα σταματήσει όταν ο δακτύλιος LED ποιότητας αέρα δεν είναι πράσινος.	Δεν χρειάζεται επέμβαση. Η λειτουργία του διαχύτη θα επαναληφθεί όταν ο δακτύλιος LED ποιότητας αέρα είναι πράσινος.

**ΠΡΟΣΟΧΗ:** Αν αυτές οι βλάβες επιμένουν, επικοινωνήστε με την αντιπροσωπεία Hoover της περιοχής σας. ΜΗΝ ΠΡΟΣΠΑΘΕΙΤΕ να αποσυναρμολογήσετε τον H-Purifier μόνοι σας.

## 7. ΑΝΤΙΜΕΤΩΠΙΣΗ ΠΡΟΒΛΗΜΑΤΩΝ

Ακολουθεί κατάλογος των συνήθως συναντώμενων προβλημάτων και λύσεων.

Εάν κάποια απ' αυτά τα προβλήματα επιμένουν επικοινωνήστε με το πλησιέστερο κέντρο τεχνικής υποστήριξης Gias Service.

Ο ανεμιστήρας δεν λειτουργεί (Πάνελ λειτουργιών / Η οθόνη ανάβει)	<ul style="list-style-type: none"> <li>Ελέγξτε την ειδοποίηση που εμφανίζεται στην οθόνη ή στην εφαρμογή. Εάν υπάρχει, ανατρέξτε στο <b>6. ΕΙΔΟΠΟΙΗΣΕΙΣ ΚΑΙ ΛΥΣΕΙΣ</b></li> <li>Ελέγξτε αν υπάρχουν εμπόδια στον ανεμιστήρα. Εάν υπάρχουν, αποσυνδέστε πρώτα το προϊόν και καθαρίστε το ή καλέστε την τεχνική υποστήριξη ο κέντρο σέρβις για να γίνει καθαρισμός.</li> <li>Ελέγξτε εάν ο H-Purifier είναι ενεργοποιημένος.</li> <li>Ελέγξτε εάν το φίλτρο έχει εγκατασταθεί σωστά και είναι ασφαλισμένο.</li> <li>Ελέγξτε εάν ο H-Purifier βρίσκεται σε εντελώς όρθια κατακόρυφη θέση και δεν έχει κλίση.</li> <li>Ο H-Purifier ενδέχεται να βρίσκεται σε λειτουργία ECO. Θα μπορούσατε να πατήσετε το κουμπί Sleep Mode ή το κουμπί Max Mode για έξοδο από τη λειτουργία ECO. Ανατρέξτε στο <b>3. ΧΡΗΣΙΜΟΠΟΙΗΣΤΕ ΤΟ H-PURIFIER ΣΑΣ – ΑΥΤΟΜΑΤΗ ΛΕΙΤΟΥΡΓΙΑ, AUTO MODE.</b></li> </ul>
Ο ανεμιστήρας δεν λειτουργεί (Πάνελ λειτουργιών / Η οθόνη έχει σβήσει)	<ul style="list-style-type: none"> <li>Ελέγξτε εάν ο H-Purifier είναι στην πρίζα και ενεργοποιημένος.</li> <li>Ελέγξτε την ειδοποίηση που εμφανίζεται στην οθόνη ή στην εφαρμογή. Εάν υπάρχει, ανατρέξτε στο <b>6. ΕΙΔΟΠΟΙΗΣΕΙΣ ΚΑΙ ΛΥΣΕΙΣ</b></li> </ul>
Ο πίνακας ελέγχου δεν ανάβει / Οθόνη (Ο ανεμιστήρας λειτουργεί)	<ul style="list-style-type: none"> <li>Στην κατάσταση αναστολής λειτουργίας, η προεπιλεγμένη ρύθμιση λυχνιών είναι λυχνίες απενεργοποιημένες. Μπορείτε να πατήσετε το κουμπί ελέγχου λυχνιών για να τις ανάψετε.</li> <li>Οι λυχνίες μπορεί να σβήσουν. Πατήστε το κουμπί ελέγχου λυχνιών για να τις ανάψετε. Ανατρέξτε στο <b>3. ΧΡΗΣΙΜΟΠΟΙΗΣΤΕ ΤΟ H-PURIFIER ΣΑΣ – ΛΕΙΤΟΥΡΓΙΑ ΥΠΝΟΥ, SLEEP MODE / Λειτουργία ΕΛΕΓΧΟΥ ΦΩΤΙΣΜΟΥ (LIGHT CONTROL)</b></li> </ul>
Τα κουμπιά στον Πίνακα Ελέγχου δεν λειτουργούν	<ul style="list-style-type: none"> <li>Μπορεί να έχει ενεργοποιηθεί το κλειδί ασφαλείας για τα παιδιά. Μπορείτε να πατήσετε και να κρατήσετε πατημένο το κουμπί CHILD LOCK για 3 δευτερόλεπτα για να βγείτε από τη λειτουργία. Ανατρέξτε στο <b>3. ΧΡΗΣΙΜΟΠΟΙΗΣΤΕ ΤΟ H-PURIFIER ΣΑΣ – Λειτουργία ΠΑΙΔΙΚΟΥ ΚΛΕΙΔΩΜΑΤΟΣ, CHILD LOCK.</b></li> </ul>
Η ροή αέρα είναι αδύναμη	<ul style="list-style-type: none"> <li>Ελέγξτε εάν η προστατευτική συσκευασία έχει αφαιρεθεί από το φίλτρο.</li> <li>Ελέγξτε εάν υπάρχουν εμπόδια στο κάλυμμα εισαγωγής αέρα ή στην έξοδο αέρα.</li> <li>Αφαιρέστε το κάλυμμα εισόδου αέρα και ελέγξτε την κατάσταση του φίλτρου. Καθαρίστε το εξωτερικό στρώμα ή αντικαταστήστε το φίλτρο, εάν χρειάζεται. Μπορείτε να ελέγξετε την κατάσταση ζωής του φίλτρου στην οθόνη πατώντας το κουμπί πληροφοριών.</li> <li>Ελέγξτε εάν ο H-Purifier βρίσκεται σε λειτουργία Ύπνου ( Sleep Mode). Ο ανεμιστήρας λειτουργεί με μειωμένη ισχύ σε αυτή την κατάσταση.</li> </ul>
Το H-Purifier λειτουργεί με θόρυβο	<ul style="list-style-type: none"> <li>Ελέγξτε εάν υπάρχουν εμπόδια στο H-Purifier.</li> <li>Ελέγξτε εάν το H-Purifier λειτουργεί στο Μέγιστο Επίπεδο (Max Mode). Ο ανεμιστήρας λειτουργεί με μέγιστη ισχύ σε αυτή την κατάσταση.</li> </ul>
Ο H-Purifier άρχισε να λειτουργεί με θόρυβο ξαφνικά	<ul style="list-style-type: none"> <li>Ελέγξτε εάν ο H-Purifier είναι σε Αυτόματη λειτουργία (Auto Mode) και ο δακτύλιος LED ποιότητας αέρα δεν είναι πράσινος. Στην αυτόματη λειτουργία, ο H-Purifier προσαρμόζει αυτόματα την ταχύτητα του ανεμιστήρα του στο πραγματικό επίπεδο ποιότητας του αέρα του εσωτερικού χώρου. Ανατρέξτε στο <b>3. ΧΡΗΣΙΜΟΠΟΙΗΣΤΕ ΤΟ H-PURIFIER ΣΑΣ – ΑΥΤΟΜΑΤΗ ΛΕΙΤΟΥΡΓΙΑ, AUTO MODE.</b></li> </ul>
Ο H-Purifier κάνει ξαφνικά έναν δυνατό ήχο βομβητή	<ul style="list-style-type: none"> <li>Η λειτουργία δοκιμής του κουμπιού CO Alert (Συναγερμός CO) ενεργοποιείται από εσφαλμένη λειτουργία. Ο ήχος θα σταματήσει αυτόματα έπειτα από 5 δευτερόλεπτα. Ανατρέξτε στο <b>1.2 ΣΥΝΑΓΕΡΜΟΣ ΜΟΝΟΞΕΙΔΙΟΥ ΤΟΥ ΑΝΘΡΑΚΑ (CO)</b></li> </ul>

## ΣΗΜΑΝΤΙΚΕΣ ΠΛΗΡΟΦΟΡΙΕΣ

### Ανταλλακτικά και αναλώσιμα της Hoover

Όταν παραστεί η ανάγκη χρησιμοποιείτε αποκλειστικά γνήσια ανταλλακτικά Hoover. Τα ανταλλακτικά Hoover διατίθενται από τον τοπικό αντιπρόσωπο Hoover ή απευθείας από τη Hoover. Κατά την παραγγελία εξαρτημάτων να αναφέρετε πάντα τον αριθμό μοντέλου.

### Ποιότητα

Τα εργοστάσια Hoover έχουν ελεχθεί από ανεξάρτητους φορείς ποιοτικού ελέγχου.. Τα προϊόντα μας κατασκευάζονται μέσω ενός συστήματος ποιότητας το οποίο πληροί τις προδιαγραφές του προτύπου ISO 9001.

### Η ΕΓΓΥΗΣΗ ΣΑΣ

Οι όροι ισχύος της εγγύησης της συσκευής καθορίζονται από τον αντιπρόσωπο της χώρας στην οποία έχει πραγματοποιηθεί η πώληση. Περισσότερες πληροφορίες σχετικά με τους όρους εγγύησης μπορείτε να ζητήσετε από τον αντιπρόσωπο που αγοράσατε τη συσκευή. Η προσκόμιση του τιμολογίου ή της απόδειξης αγοράς είναι βασική προϋπόθεση για την ισχύ της εγγύησης.

Ο κατασκευαστής διατηρεί το δικαίωμα να επιφέρει αλλαγές χωρίς προγενέστερη ενημέρωση.

## OGÓLNE OSTRZEŻENIA DOTYCZĄCE BEZPIECZEŃSTWA

To urządzenie jest przeznaczone wyłącznie do użytku domowego, zgodnie z opisem zamieszczonym w niniejszej instrukcji obsługi. Przed przystąpieniem do eksploatacji urządzenia należy upewnić się, że niniejsza instrukcja jest w pełni zrozumiała oraz zachować ją do wglądu w przyszłości.

Przed podłączeniem urządzenia należy sprawdzić, czy napięcie i wartości znamionowe podane na etykiecie urządzenia odpowiadają lokalnemu napięciu zasilania.

Jeśli przewód zasilający uległ uszkodzeniu, należy natychmiast zaprzestać korzystania z urządzenia. Ze względów bezpieczeństwa, przewód zasilający powinien zostać wymieniony przez serwisanta autoryzowanego punktu serwisowego firmy Hoover.

Nie należy wyciągać wtyczki ciągnąc za kabel zasilający.

Przewód zasilający powinien być ułożony w taki sposób, aby nikt na niego nie nadepnął ani się nie potknął.

Przed przystąpieniem do czyszczenia urządzenia lub wykonaniem jakichkolwiek czynności konserwacyjnych urządzenie należy zawsze wyłączyć i wyjąć wtyczkę przewodu zasilającego z gniazdka.

Urządzenie mogą obsługiwać dzieci w wieku co najmniej 8 lat, a osoby o ograniczonych zdolnościach fizycznych, sensorycznych lub mentalnych, a także osoby nieposiadające odpowiedniego doświadczenia oraz wiedzy, jedynie pod warunkiem że odbywać się będzie to pod nadzorem lub po przeszkoleniu na temat bezpiecznego użycia urządzenia oraz związanych z nim zagrożeń. Dzieci nie mogą bawić się urządzeniem.

Urządzenia nie powinny czyścić ani konserwować dzieci bez nadzoru.

Urządzenie nie usuwa tlenku węgla (CO) ani radonu (Rn). Nie może być wykorzystywany jako urządzenie zabezpieczające w przypadku wypadków z udziałem procesów spalania i niebezpiecznych substancji chemicznych.

Nie kontynuować eksploatacji uszkodzonego urządzenia.

Nie należy blokować wlotu ani wylotu powietrza.

W celu zapobieżenia obrażeniom fizycznym oraz nieprawidłowego działania urządzenia, nie wkładać palców lub przedmiotów do wylotu lub wlotu powietrza.

W celu uniknięcia porażenia prądem i/lub zagrożenia pożarem nie czyścić urządzenia wodą, żadnym innym płynem lub (łatwopalnym) detergentem, a także nie pozwalać, aby dostały się do środka urządzenia.

Nie należy rozpylać wokół urządzenia żadnych materiałów łatwopalnych, takich jak środki owadobójcze lub perfumy.

Niniejsze urządzenie nie zastępuje prawidłowej wentylacji, regularnego odkurzania ani stosowania okapu wyciągowego lub wentylatora podczas gotowania.

Należy korzystać wyłącznie z materiałów eksploatacyjnych, filtrów oraz części zamiennych zalecanych lub dostarczonych przez firmę HOOVER.

Przed włączeniem urządzenia należy upewnić się, że filtr jest prawidłowo zainstalowany.

Unikać uderzania w urządzenie (w szczególności we wlot i wylot powietrza) twardymi przedmiotami.

Urządzenie powinno być utrzymywane suche.

Pod żadnym pozorem nie należy przechylać ani opróżniać urządzenia podczas pracy.

W przypadku niekorzystania z urządzenia przez dłuższy czas, na filtrach mogą rozwijać się bakterie. Po długim okresie nieużywania urządzenia należy sprawdzić filtry. Jeśli filtry są bardzo brudne, należy je wymienić.

Aby zapewnić bezpieczne i sprawne działanie tego urządzenia, zalecamy zlecenie prac serwisowych lub napraw wyłącznie serwisantom autoryzowanego punktu serwisowego firmy HOOVER.

## ŚRODOWISKO UŻYCIA

W celu uniknięcia ewentualnego przewrócenia się urządzenia, należy umieszczać i używać urządzenie wyłącznie na suchej, stabilnej, równej, poziomej powierzchni.

Pozostawić co najmniej 20 cm wolnej przestrzeni z tyłu i po obu stronach urządzenia oraz co najmniej 30 cm nad urządzeniem.

Aby zapobiec zakłóceniom, należy umieścić urządzenie w odległości co najmniej 2 m od urządzeń elektrycznych, które wykorzystują fale radiowe w powietrzu, takich jak telewizory, radia i zegary sterowane drogą radiową.

Nie umieszczać niczego na urządzeniu.

Nie należy używać tego urządzenia w przypadku wykorzystywania wewnętrznych środków odstraszających owady typu dymnego lub w miejscach, w których znajdują się tłuste pozostałości, a także przy palącym się kadzidle lub w obecności oparów chemicznych.

Zabrania się umieszczania urządzenia w poniższych miejscach:

- Na gorących powierzchniach lub w ich pobliżu, w pobliżu otwartego ognia lub w miejscach narażonych na bezpośrednie działanie promieni słonecznych, w pobliżu urządzeń gazowych, grzewczych lub kominków;
- Obok grzejników lub otworów wentylacyjnych, drzwi, okien, wentylatorów wyciągowych lub w bezpośrednio nad nimi, a także wszędzie tam, gdzie mogą występować przeciągi;
- W łazience lub innych miejscach, w których istnieje ryzyko narażenia produktu na rozpryski wody, kapanie lub skraplanie (np. bezpośrednio pod klimatyzatorem lub nad czajnikiem elektrycznym);
- W zamkniętej przestrzeni (np. w szafie lub pod nią);
- W miejscu, w którym temperatura może spaść poniżej  $-20^{\circ}\text{C}$  lub wzrosnąć powyżej  $50^{\circ}\text{C}$ ;
- W pomieszczeniach o dużych wahaniami temperatury, w wilgotnym otoczeniu lub w miejscach o wysokiej temperaturze otoczenia lub wysokiej wilgotności, np. w łazience, toalecie lub kuchni;
- W miejscach, w których urządzenie mogłoby zostać zasłonięte, np. przez zasłony lub meble;
- W miejscach, gdzie brud lub kurz mógłby zablokować czujnik.

## INSTRUKCJE BEZPIECZEŃSTWA DOTYCZĄCE MONITORA CO

W przypadku uruchomienia się alarmu monitora CO należy otworzyć wszystkie okna i drzwi (o ile jest to bezpieczne). W miarę możliwości należy wyłączyć wszystkie urządzenia spalające paliwo, a następnie ewakuować obiekt pozostawiając otwarte okna i drzwi. Należy szukać natychmiastowej pomocy medycznej dla wszystkich osób, które mają objawy zatrucia tlenkiem węgla. Nie należy ponownie wchodzić na teren obiektu, dopóki alarm się nie wyłączy. Alarm wyłączy się po wyeliminowaniu CO z atmosfery. Zabrania się ponownego korzystania z urządzeń do spalania paliwa, dopóki źródło CO nie zostanie zlokalizowane i naprawione przez wykwalifikowanego technika.

Należy unikać używania farb, rozcieńczalników, oparów rozpuszczalników, odświeżaczy powietrza, aerozoli lub chemicznych środków czyszczących w pobliżu urządzenia, ponieważ mogą one mieć wpływ na działanie monitora CO.

W celu aktywacji monitora CO, należy podłączyć wtyczkę do gniazdka. Alarm LED CO zapali się na zielono. Gdy monitor CO wykryje niebezpieczny poziom CO, rozlegnie się głośny alarm CO, a przycisk CO Alert i pierścień jakości powietrza LED Ring będą migać na czerwono. Alarm będzie aktywny aż do momentu, kiedy wykryty poziom CO nie obniży się do bezpiecznego poziomu.

Dotknij przycisku [CO Alert] przez 3 sekundy, aby przetestować funkcję alarmu CO, a alarm będzie głośno działał przez 5 sekund. Należy sprawdzać alarm co miesiąc i po dłuższej nieobecności w budynku (np. po urlopie). Jeśli po dotknięciu przycisku [CO Alert] przez 3 sekundy alarm nie włączy się, należy skontaktować się z centrum obsługi klienta firmy Hoovera w celu umówienia się z wykwalifikowanym technikiem, który naprawi usterkę.

Jeśli na wyświetlaczu pojawi się informacja, że czujnik CO jest uszkodzony lub okres jego użytkowania dobiegł końca, należy skontaktować się z centrum obsługi klienta firmy Hoover w celu umówienia wizyty serwisanta, który dokona wymiany czujnika CO. Przewidywany okres użytkowania czujnika CO wynosi 7 lat; należy wymienić czujnik po upływie tego czasu.

Należy uważać, aby małe dzieci nie naciskały przycisku CO Alert przez 3 sekundy, ponieważ mogą one zostać narażone na nadmierny hałas spowodowany aktywacją alarmu.

Wilgotność robocza: 15 – 90% RH

Temperatura robocza: od  $0^{\circ}\text{C}$  do  $+40^{\circ}\text{C}$

Tlenek węgla wpływa na organizm, blokując dostęp tlenu do najważniejszych organów. Wydechany CO przyczepia się do hemoglobiny we krwi, która jest odpowiedzialna za



rozprowadzanie tlenu w całym organizmie. CO w sposób trwały hamuje zdolność cząsteczek tlenu do przyłączania się do hemoglobiny, redukując w ten sposób dopływ tlenu do najważniejszych organów. Poziom stężenia i czas narażenia organizmu na wpływ CO może prowadzić do różnych konsekwencji. Eksperci są jednakże zgodni co do tego, że nawet niski poziom narażenia organizmu na tlenek węgla przez dłuższy okres może wiązać się z poważnymi i trwałymi skutkami dla ogólnego stanu zdrowia ludzi.

**Ostrzeżenie:** ALARM CO JEST PRZEZNACZONY DO OCHRONY OSÓB PRZED POWAŻNYMI SKUTKAMI NARAŻENIA ORGANIZMU NA TLENEK WĘGLA LUB W CELU ZAPOBIEGANIA PRZEWLEKŁYM SKUTKOM NARAŻENIA NA TLENEK WĘGLA. NIE GWARANTUJE ON CAŁKOWITEGO BEZPIECZEŃSTWA OSÓB Z OKREŚLONYMI SCHORZENIAMI. W RAZIE WĄTPLIWOŚCI SKONSULTOWAĆ SIĘ Z LEKARZEM.

Funkcja „Monitor CO” nie może być wykorzystywana jako urządzenie zastępcze w zakresie norm EN 50291-1, UL-2034, CSA-6.19 lub innych uznanych certyfikowanych standardów czujników sygnalizujących ulatnianie się tlenu węgla, w przypadku gdy lokalne lub regionalne kodeksy bądź przepisy prawne nakazują ich stosowanie. Funkcja „Monitor CO” jest jedynie dodatkiem monitorującym ulatnianie się tlenu węgla. Użytkownik korzysta z urządzenia wedle własnego uznania, a także jest on świadomy i rozumie ograniczenia urządzenia w odniesieniu do przestrzegania kodeksów lub przepisów prawnych, jeśli mają one zastosowanie.

Urządzenie to nie powinno być stosowane jako zamiennik odpowiedniej instalacji, użytkownika i konserwacji urządzeń spalających paliwo, w tym odpowiednich systemów wentylacji i wyciągów.

Prawidłowe działanie monitora CO z telefonów komórkowych i tabletów wymaga sprawnego połączenia Wi-Fi. Urządzenie nie może zostać uznane za zamiennik dla zewnętrznych służb w zakresie monitorowania alarmów.

## INSTRUKCJE BEZPIECZEŃSTWA DOTYCZĄCE DYFUZORA

Można używać wyłącznie olejku aromatycznego zalecanego lub dostarczanego przez firmę HOOVER.

Nie należy używać innego nawilżacza obok oczyszczacza powietrza w przypadku stosowania funkcji dyfuzora H-Essence.

Natychmiast wytrzyj każdy wyciek H-Essence. Upewnij się, że wyczyściłeś wszystkie części produktu, które miały styczność z H-Essence.

### Ochrona środowiska

Niniejsze urządzenie posiada oznaczenia zgodnie z Dyrektywą Europejską nr 2012/19/EU w sprawie zużytego sprzętu elektrycznego i elektrotechnicznego (WEEE). Zapewniając prawidłowe złomowanie niniejszego urządzenia, przyczyniają się Państwo do ograniczenia ryzyka wystąpienia negatywnego wpływu produktu na środowisko i zdrowie ludzi, które mogłyby zaistnieć w przypadku niewłaściwej utylizacji urządzenia.



Symbol umieszczony na urządzeniu oznacza, że nie jest ono klasyfikowane jako odpad z gospodarstwa domowego. Urządzenie należy zdać w odpowiednim punkcie utylizacji w celu recyklingu komponentów elektrycznych i elektronicznych. Urządzenie należy złomować zgodnie z lokalnymi przepisami w sprawie utylizacji odpadów. Dodatkowe informacje na temat sposobu utylizacji, złomowania i recyklingu urządzenia można uzyskać w lokalnym urzędzie miejskim, w komunalnym zakładzie utylizacji odpadów lub w sklepie, w którym produkt został zakupiony.

### Parametry bezprzewodowe dla parowania

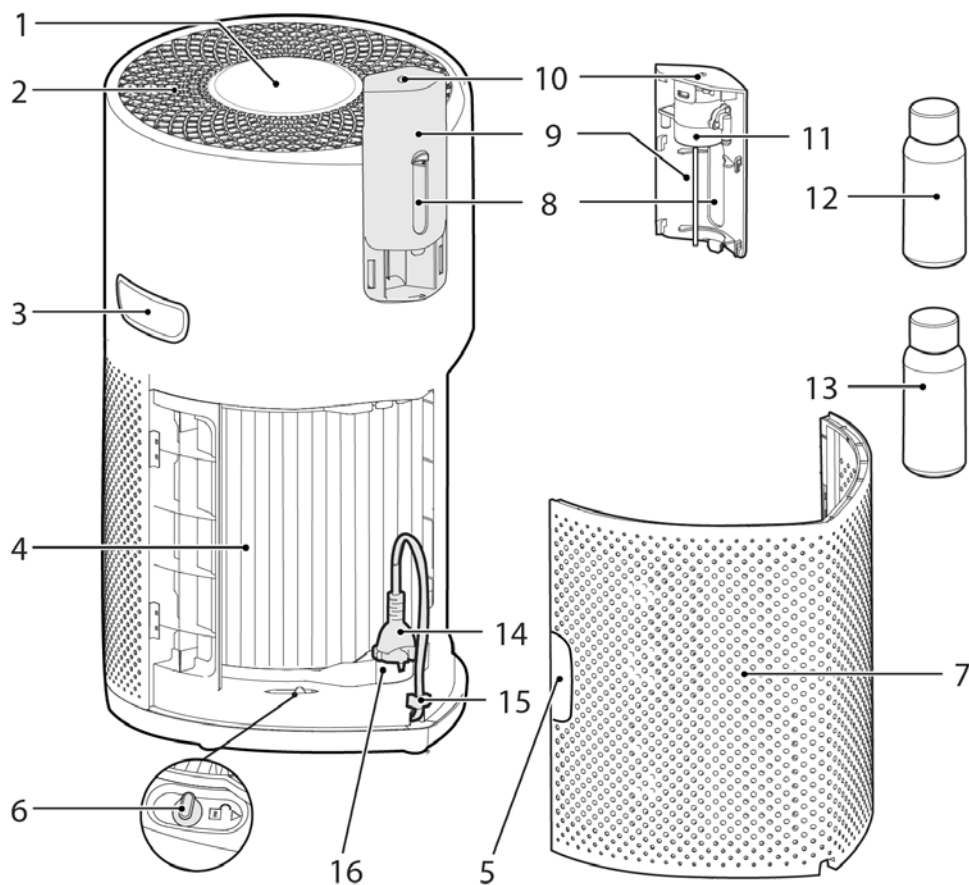
Technologia	Wi-Fi	Bluetooth
Standard	IEEE 802.11 b/g/n	Bluetooth v4.2, BLE
Pasma(a) częstotliwości (MHz)	2401-2483	2402-2480
Moc maksymalna (mW)	100	10
Maksymalna moc sygnału radiowego przenoszonego w paśmie częstotliwości	18.9 dBm	

Candy Hoover Group Srl niniejszym oświadcza, że sprzęt radiowy spełnia wymogi określone w Dyrektywie 2014/53/UE. Pełny tekst deklaracji zgodności UE jest dostępny pod następującym adresem strony internetowej: [www.candy-group.com](http://www.candy-group.com)

CANDY HOOVER GROUP S.r.l. Via Privata Eden Fumagalli, 20861 Brugherio (MB) Italy



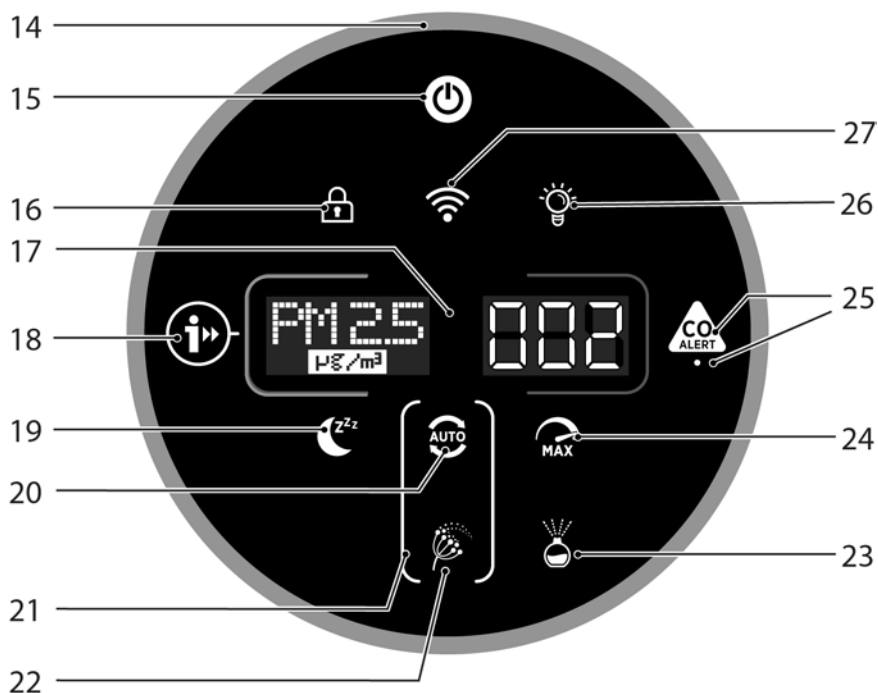
1. POZNAJ OCZYSZCZACZ H-PURIFIER



1	Panel sterowania / Wyświetlacz
2	Wylot powietrza
3	Uchwyt do przenoszenia urządzenia
4	Zespół filtracyjny
5	Uchwyt pokrywy wlotu powietrza
6	Przełącznik zwalniający filtr

7	Ośłona wlotu powietrza
8	Okienko dyfuzora
9	Ośłona dyfuzora
10	Wylot dyfuzora
11	Zespół dyfuzora

12	Butelka H-Essence
13	Butelka H-Biotics
14	Przewód zasilający z wtyczką
15	Hak
16	Miejsce przechowywania



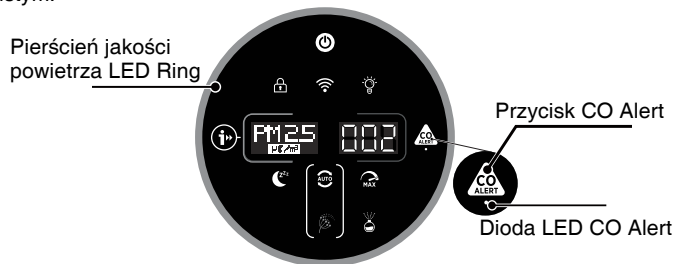
14	Pierścień jakości powietrza LED Ring
15	Przycisk zasilania
16	Przycisk blokady zabezpieczającej przed dziećmi
17	Wyświetlacz cyfrowy
18	Przycisk informacyjny
19	Przycisk trybu uśpienia
20	Przycisk trybu automatycznego
21	Okrągła Lampka Alergii na pyłki
22	Lampka Alergii na pyłki
23	Przycisk dyfuzora
24	Przycisk trybu maksymalnego
25	Przycisk CO Alert & LED
26	Przycisk sterowania oświetleniem
27	Przycisk Wi-Fi

## 1.1 SYSTEM MULTI SENSOR

Dzięki wieloczułnikowemu systemowi Twoje urządzenie będzie stale monitorować warunki powietrza w pomieszczeniu pod kątem zawartości PM10, PM2.5 oraz Lotnych Związków Organicznych (GAZ).

Po każdym włączeniu urządzenia wieloczułnikowy system rozpocznie analizę powietrza w pomieszczeniu. Różne kolory pierścienia jakości powietrza LED Ring odzwierciedlają warunki jakości powietrza w czasie rzeczywistym.

Kolorowy pierścień jakości powietrza LED Ring	Jakość powietrza w pomieszczeniach	Wartość PM 10* $\mu\text{g}/\text{m}^3$	Wartość PM 2,5 $\mu\text{g}/\text{m}^3$	Poziom LZO (GAZ)
Zielony	Doskonała	0-50	0-25	L1
ŻÓŁTY	Zadowalająca	50-80	25-50	L2
POMARAŃCZOWY	Słaba	80-160	50-100	L3
CZERWONY	Bardzo słaba	$\geq 160$	$\geq 100$	L4



\* W trybie alergii na pyłki wartości PM 10, które uruchamiają niższy poziom jakości powietrza, aby minimalizować ryzyko dla alergików.

## 1.2 ALARM TLENKU WĘGLA (CO)

H-Purifier jest wyposażony w system alarmowania, który stale monitoruje powietrze w pomieszczeniu pod kątem obecności tlenku węgla (CO). Po włączeniu alarmu tlenku węgla, pierścień jakości powietrza LED Ring, przycisk informacyjny oraz przycisk CO Alert migają jednocześnie na czerwono i rozlega się alarm dźwiękowy. Alarm będzie działał do momentu, gdy stężenie tlenku węgla (CO) spadnie poniżej 50 ppm, chyba że zostanie ręcznie wyciszony poprzez naciśnięcie przycisku CO Alert przez 3 sekundy.

Dioda LED CO Alert pokazuje stan pracy czujnika CO. Dioda Led świeci się na zielono, gdy czujnik CO działa prawidłowo, na żółto, gdy czujnik działa wadliwie lub przekroczył swój okres użytkowania, a na czerwono, kiedy aktywny jest alarm CO.

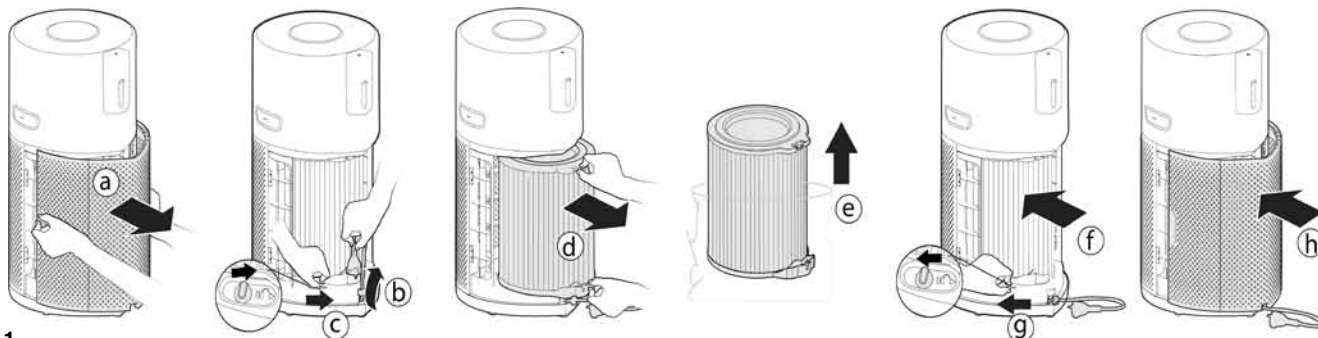
Prawidłowe działanie alarmu można sprawdzić poprzez naciśnięcie i przytrzymanie przez 3 sekundy przycisku CO Alert; jeśli alarm działa prawidłowo, rozlegnie się głośny, 5-sekundowy sygnał dźwiękowy.

## 2. PRZYGOTOWANIE OCZYSZCZACZA H-PURIFIER

### 2.1 INSTALACJA FILTRA [Rys. 1]

Przed użyciem oczyszczacza H-Purifier należy usunąć opakowanie ochronne filtra:

- Zdejmij pokrywę wlotu powietrza, chwytając dwa uchwyty pokrywy wlotu powietrza i wyciągnij ją z urządzenia. [Rys. 1a]
- Wyjmij wtyczkę z miejsca przechowywania i zdejmij przewód z haka magazynowego. [Rys. 1b]
- Odblokuj przełącznik zwalniający filtr. [Rys. 1c]
- Wyjmij filtr z urządzenia oraz usuń zewnętrzne opakowanie. [Rys. 1d,e]
- Włóż filtr do swojego urządzenia. [Rys. 1f]
- Zablokuj przełącznik zwalniający filtr. [Rys. 1g]
- Ponownie zamontuj pokrywę wlotu powietrza na urządzenie. [Rys. 1h]

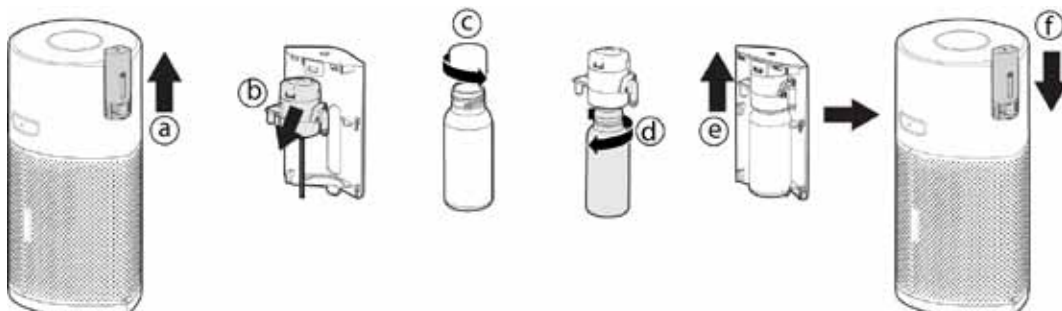


Rys. 1

### 2.2 WKŁADANIE BUTELKI Z DYFUZOREM [Rys. 2]

Przygotowanie urządzenia H-Purifier do funkcji dyfuzora:

- Zdejmij pokrywę dyfuzora z urządzenia. [Rys. 2a]
- Zdejmij zespół dyfuzora z pokrywy zespołu dyfuzora. [Rys. 2b]
- Wyjmij nową butelkę z H-Essence lub H-Biotics z opakowania i zdejmij nakrętkę. [Rys. 2c]
- Zachowaj nakrętkę na przyszłość.
- Mocno zamocuj nową butelkę w zespole dyfuzora. [Rys. 2d]
- Włóż zespół dyfuzora do pokrywy dyfuzora. [Rys. 2e]
- Ponownie umieść pokrywę dyfuzora w urządzeniu. [Rys. 2f]



Rys. 2

### 3. UŻYTKOWANIE URZĄDZENIA H-PURIFIER

#### 3.1 WŁĄCZANIE URZĄDZENIA [Rys. 4]:

Wyciągnąć kabel zasilający z bębna kabla i podłączyć go do zasilacza.

Wszystkie kontrolki na panelu sterowania/wyświetlaczu włączą się na ok. 1 sekundę, aby potwierdzić pomyślne podłączenie do zasilania.

Delikatne oświetlenie przycisku POWER oraz DIODY LED CO Alert informuje, że specjalny czujnik rozpoczął pracę w celu monitorowania poziomu tlenu węgla w pomieszczeniu.

Aby włączyć urządzenie, należy nacisnąć przycisk POWER, który znajduje się na wyświetlaczu.

Pierścień jakości powietrza LED Ring świeci naprzemiennie we wszystkich kolorach, podczas gdy czujniki analizują warunki powietrza w czasie rzeczywistym. Po kilku sekundach, pierścień jakości powietrza LED Ring wybierze odpowiedni kolor dla jakości powietrza w danym momencie.

Oczyszczacz H-Purifier natychmiast przejdzie w TRYB AUTO i rozpocznie oczyszczanie powietrza w pomieszczeniu. Na wyświetlaczu podświetli się przycisk TRYB AUTO, przycisk INFORMACYJNY, przycisk STEROWANIE OŚWIETLENIEM oraz informacje dotyczące PM10.



Rys. 4

#### 3.2 PODŁĄCZENIE URZĄDZENIA H-PURIFIER:

W celu uzyskania dostępu do wszystkich funkcji urządzenia H-Purifiers z dowolnego miejsca, zaleca się pobranie aplikacji hOn App.

Dzięki temu będziesz mógł kontrolować swoje urządzenie w najbardziej efektywny sposób.

##### Instrukcje:

1. Pobierz aplikację hOn z App Store, Google Play lub Huawei AppGallery. Można ją również pobrać po zeskanowaniu kodu QR na [Rys. 5]
2. Otwórz aplikację i utwórz konto za pomocą swojego e-maila oraz hasła.
3. Potwierdź i zaloguj się do aplikacji hOn.
4. Upewnij się, że Twoje urządzenie przenośne jest podłączone do sieci Wi-Fi.
5. Sprawdź, czy urządzenie H-Purifier jest włączone. Naciśnij i przytrzymaj przycisk Wi-Fi na wyświetlaczu przez 5 sekund, następnie pojawi się sygnał dźwiękowy, a przycisk Wi-Fi zacznie migać, informując Cię, że oczekuje na połączenie. [Rys. 6]
6. W celu połączenia urządzenia przenośnego z oczyszczaczem, postępuj zgodnie z instrukcjami aplikacji.
7. Po pomyślnym sparowaniu, przycisk Wi-Fi na urządzeniu podświetli się.
8. Aby zresetować sieć Wi-Fi, naciśnij i przytrzymaj przycisk Wi-Fi przez 5 sekund.

H-Purifier również współpracuje z Hey Google oraz Amazon Alexa.



Rys. 5

#### 3.3 POZNAJ WSZYSTKIE FUNKCJE

##### Funkcja INFORMACYJNA [Rys. 7]:

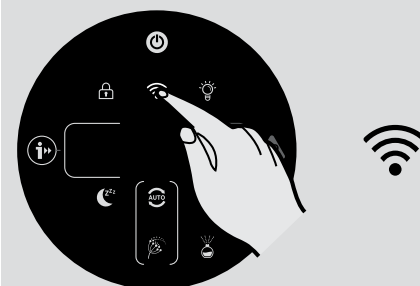
Dostępnych jest 6 różnych zestawów danych w celu monitorowania:

PM10, PM2.5, gazu, temperatury, wilgotności i stanu filtra.

Aby rozpocząć monitorowanie każdej wartości, wystarczy naciskać kolejno przycisk INFORMACYJNY.

Domyślnie na wyświetlaczu będą wyświetlane dane dotyczące PM10, urządzenie zapamięta ostatni wybór użytkownika i zachowa ten wybór przy następnym włączeniu urządzenia.

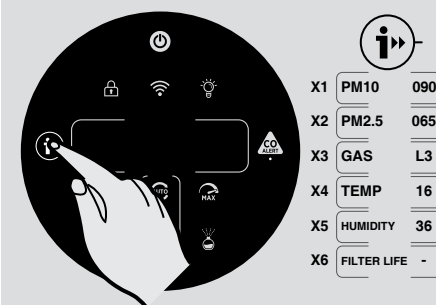
Podczas pierwszych 3 minut po włączeniu produktu wykonywany jest cykl kalibracji czujnika GAZU, a dane GAZU będą pokazywały obracający się kursor.



Rys. 6

##### Więcej informacji o PM 2.5, PM 10 oraz GAZIE:

PM to drobne cząstki (niewidoczne dla ludzkiego oka) pochodzące głównie z zanieczyszczeń zewnętrznych, takich jak pojazdy i emisje przemysłowe, które są potencjalnie niebezpieczne dla naszego zdrowia w przypadku długotrwałego narażenia. PM 10 to cząstki o średnicy do 10 µm, które mogą docierać do górnych dróg oddechowych (nos, tchawica, gardło). PM 2.5 to cząstki o średnicy do 2.5 µm i, biorąc pod uwagę ich mały rozmiar, mogą dotrzeć do naszych płuc, wnikając tym samym głębiej w organizm. GAZ VOC (lotne związki organiczne) są lotnymi związkami chemicznymi, które wykazują dużą zdolność parowania w powietrzu w temperaturze pokojowej. Dezodoranty, detergenty, kleje, spoiwa, kosmetyki oraz formaldehyd to tylko niektóre z lotnych związków organicznych, które mogą występować w naszych domach i są potencjalnie szkodliwe dla naszego zdrowia w przypadku długotrwałego narażenia.



Rys. 7

##### Funkcje TRYBU:

Dostępne są 3 tryby oczyszczania powietrza: TRYB AUTO, TRYB MAKSYMALNY ORAZ TRYB UŚPIENIA. Domyślnym trybem tego urządzenia w chwili jego włączenia jest tryb automatyczny.

Wszystkie tryby można wybrać ręcznie, naciskając odpowiedni przycisk na wyświetlaczu.

Tryb ALERGII NA PYŁKI można włączyć także za pomocą aplikacji hOn.

##### TRYB AUTO [Rys. 8]:

Jest to domyślny tryb pracy urządzenia H-Purifier przy pierwszym włączeniu. W Trybie Auto H-Purifier automatycznie dostosowuje prędkość wentylatora do aktualnego poziomu jakości powietrza w pomieszczeniu w celu zagwarantowania jego optymalnego oczyszczania.

Jest zalecanym ustawieniem tego urządzenia. W trybie AUTO, po 30 minutach doskonałej jakości powietrza Twoje urządzenie wejdzie w tryb ECO (funkcja czuwania), wstrzymując funkcję oczyszczania (wentylator). Wieloczułkowy system będzie kontynuował analizę powietrza w pomieszczeniu i w razie konieczności automatycznie włączy funkcję oczyszczania.



Rys. 8

**TRYB MAKSYMALNY [Rys. 9]:**

Aby włączyć maksymalną moc oczyszczania powietrza, naciśnij przycisk trybu MAKSYMALNEGO na wyświetlaczu. Aby wyjść z trybu MAKSYMALNEGO, wystarczy wybrać tryb AUTO lub tryb UŚPIENIA.

**TRYB UŚPIENIA [Rys. 10]:**

Aby włączyć najniższą moc oczyszczania powietrza, naciśnij przycisk trybu UŚPIENIA. Przycisk trybu UŚPIENIA ściemni się, a wszystkie inne kontrolki wyświetlacza będą wyłączone. Można zmienić te ustawienia, naciskając przycisk KONTROLA OŚWIETLENIA.

**TRYB ALERGII NA PYŁKI: [Rys. 11]**

Tryb ALERGII NA PYŁKI można włączyć jedynie za pomocą aplikacji hOn. Aby utworzyć PROFIL ALERGII NA PYŁKI, najpierw należy aktywować i zarejestrować profil w aplikacji.

Tryb Alergii na pyłki działa tylko wtedy, gdy wybrany jest tryb AUTO. [Rys. 11c]

W trybie Alergii na pyłki urządzenie stale otrzymuje od aplikacji dane w czasie rzeczywistym o monitorowanym stężeniu pyłków na zewnątrz i pracuje automatycznie w celu zmaksymalizowania wydajności przechwytywania pyłków.

Aby wspomóc złagodzenie objawów alergicznych, przechwycone pyłki są inaktywowane.

Po włączeniu trybu Alergii na pyłki w aplikacji, na wyświetlaczu urządzenia pojawiają się 2 możliwe lampki:

- Lampka Alergii na pyłki jest **BIAŁA [Rys. 11a]**: Urządzenie i aplikacja monitorują obecność pyłków na zewnątrz, brak ryzyka.

- Lampka Alergii na pyłki zmienia kolor na **ŻÓŁTY**, a Okrągła Lampka Alergii na pyłki jest **BIAŁA [Rys. 11b]**: Urządzenie i Aplikacja wykryły zagrożenie.

Jeśli przy aktywnym trybie Alergii na pyłki produkt zostanie ręcznie przełączony do trybu UŚPIENIA lub trybu MAKSYMALNEGO, tryb Alergii na pyłki zostanie wyłączony.

**Funkcja STEROWANIA OŚWIETLENIEM: [Rys. 12]**

Dostępne są 3 ustawienia oświetlenia wyświetlacza: Włączony, Ściemniony i Wyłączony

Aby wyregulować jasność podświetlenia wyświetlacza, wystarczy wcisnąć przycisk STEROWANIE OŚWIETLENIEM na wyświetlaczu, aby przejść przez 3 dostępne opcje. Domyślnym ustawieniem oświetlenia jest ON (włączone).

Jeśli wybrano opcję OFF (wyłączone), należy dwukrotnie nacisnąć dowolny inny przycisk w celu aktywacji, po jednym naciśnięciu kontrolki staną się PRZYCIEMNIONE, po drugim naciśnięciu funkcja zostanie aktywowana.

**Funkcja ZABEZPIECZENIA PRZED DZIEĆMI: [Rys. 13]**

Aby aktywować tę funkcję, naciśnij i przytrzymaj przycisk ZABEZPIECZENIA PRZED DZIEĆMI przez 3 sekundy. Po aktywacji usłyszysz dźwięk, a przycisk ZABEZPIECZENIA PRZED DZIEĆMI pozostanie podświetlony. Po aktywowaniu tej funkcji wszystkie przyciski będą zablokowane.

Aby wyłączyć tę funkcję, wystarczy wcisnąć i przytrzymać przycisk ZABEZPIECZENIA PRZED DZIEĆMI przez 3 sekundy, aż do usłyszenia dźwięku, który potwierdzi wyłączenie funkcji, a przycisk nie będzie już podświetlony.

**Funkcja DYFUZORA: [Rys. 14]**

Dyfuzor uwalnia do powietrza pomieszczenia H-Essence lub H-Biotics. H-Essence są kolekcją olejków eterycznych firmy Hoover, które uwalniają do powietrza przyjemny zapach.

H-Biotics to natomiast naturalna mieszanka oparta na probiotykach, która, hamując rozwój mikroorganizmów, takich jak bakterie czy drobnoustroje utrzymuje pomieszczenie w stanie natlenionym. Dostępne są 4 różne ustawienia funkcji DYFUZORA, DELIKATNE ŚREDNIE, SPERSONALIZOWANE i H-BIOTICS. Aby aktywować funkcję dyfuzora wystarczy nacisnąć przycisk Dyfuzor na wyświetlaczu.

Domyślnym ustawieniem dla tej funkcji jest ustawienie DELIKATNE, aby wybrać dowolne inne ustawienie wystarczy kolejno nacisnąć przycisk w celu zmiany na docelowe ustawienie. Po włączeniu tej funkcji przycisk będzie się świecił na biało.

Zaleca się stosowanie ustawień DELIKATNE & ŚREDNIE dla H-Essence.

Ustawienia SPERSONALIZOWANE można tworzyć jedynie w aplikacji hOn.

W przypadku korzystania z H-Biotics, urządzenie MUSI być ustawione na H-Biotics. Aby zapewnić stosowanie H-Biotics co 5 dni, pod warunkiem, że użytkownik aktywuje H-Biotics za pomocą aplikacji, po 120 godzinach zostanie wyświetlony komunikat „AKTYWUJ H-BIOTICS”.

Rys. 9

Rys. 10

Rys. 11

Rys. 12

Rys. 13

Rys. 14

Rys. 14

Kiedy korzysta się z H-Essence przy pewnych ustawieniach lub w środowisku pomieszczenia, poziom LZO (GAZ) może się zmieniać w związku z wykryciem zapachów. Funkcja dyfuzora działa jedynie wtedy, kiedy pierścień jakości powietrza LED Ring jest w kolorze zielonym. Kiedy pierścień LED nie jest w kolorze zielonym, następuje przerwanie działania funkcji i zostaje ona wznowiona dopiero wtedy, kiedy kolor znów jest zielony. Jedynie tryby AUTO i MAKSYMALNY mogą obsługiwać funkcję Dyfuzora. Funkcja nie działa w trybie USPIENIA. Po włączeniu funkcji dyfuzora w trybie AUTO główny wentylator będzie pracował z określoną prędkością w celu rozpylenia H-Essence lub H-Biotics w pomieszczeniu.

Ustawienie	Czas dyfuzji	Maksymalny czas trwania cyklu
DELIKATNY	przez 10 s. co 5 min.	6 godz.
ŚREDNI	przez 90 s. co 3,5 min.	6 godz.
SPERSONALIZOWANY	Ustawienia użytkownika	6 godz.
H-BIOTICS	przez 2 min. co 4 min.	6 godz.

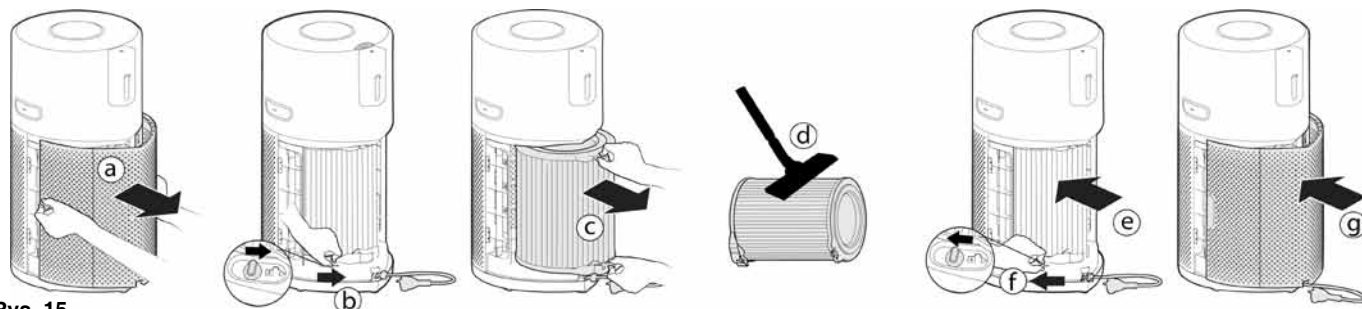
## 4. UŻYTKOWANIE URZĄDZENIA H-PURIFIER

### 4.1 UTRZYMANIE FILTRA W CZYSTOŚCI

Twoje urządzenie H-Purifier będzie monitorowało stan filtra. Po lewej stronie wyświetlacza pojawi się komunikat WYCZYŚĆ FILTR LUB WYMIENIĆ FILTR, a wskazane działania są konieczne do wyczyszczenia lub wymiany filtra.

#### Czyszczenie / Wymiana filtra: [Rys. 15]

- Usuń pokrywę wlotu powietrza z urządzenia. [Rys. 15a]
- Odblokuj przełącznik zwalniający filtr. [Rys. 15b]
- Usuń filtr z urządzenia. [Rys. 15c]
- Odkurz zewnętrzną warstwę filtra odkurzaczem lub wymień filtr na NOWY. [Rys. 15d]
- Włóż filtr do swojego urządzenia. [Rys. 15e]
- Zablokuj przełącznik zwalniający filtr. [Rys. 15f]
- Ponownie zamontuj pokrywę wlotu powietrza na urządzenie. [Rys. 15g]
- Podłącz urządzenie do źródła zasilania, a następnie włącz je.
- Naciśnij przycisk INFORMACYJNY, aby zresetować alarm czyszczenia/wymiany. W tym celu naciśnij przycisk i przytrzymaj go przez 3 sekundy, aż do usłyszenia sygnału dźwiękowego informującego o pomyślnym zresetowaniu. [Rys. 7]



Rys. 15

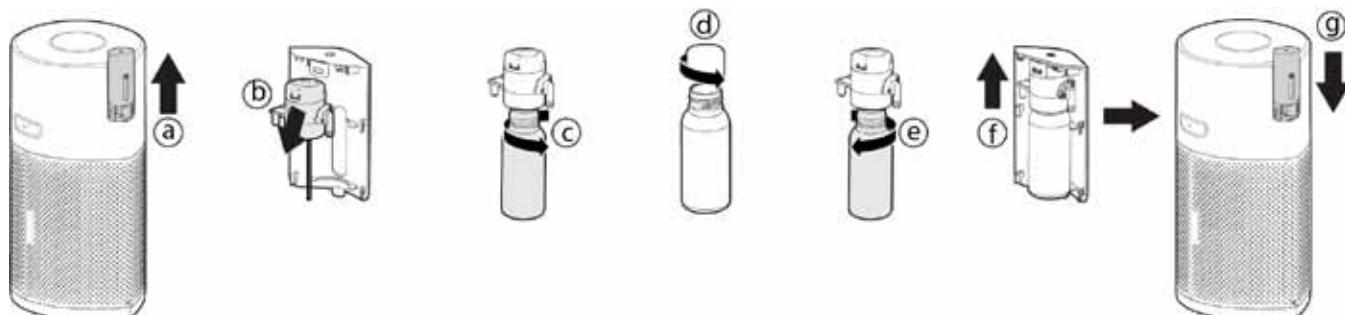
### 4.2 KONSERWACJA DYFUZORA

Po każdym użyciu funkcji Dyfuzora należy oczyścić powierzchnię urządzenia suchą, miękką ściereczką.

#### Wymiana butelki dyfuzora: [Rys. 16]

Objętość cieczy pozostającej w butelce można sprawdzić przez okienko dyfuzora. W razie potrzeby butelkę należy wymienić.

- Zdejmij pokrywę dyfuzora z urządzenia. [Rys. 16a]
- Wyjmij zespół dyfuzora wraz z butelką z pokrywy zespołu dyfuzora. [Rys. 16b]
- Odkręć i wyjmij pustą butelkę. [Rys. 16c]
- Wyjmij nową butelkę z H-Essence lub H-Biotics z opakowania i zdejmij nakrętkę. [Rys. 16d]
- Mocno zamocuj nową butelkę w zespole dyfuzora. [Rys. 16e]
- Włóż zespół dyfuzora do pokrywy dyfuzora. [Rys. 16f]
- Ponownie umieść pokrywę dyfuzora w urządzeniu. [Rys. 16g]

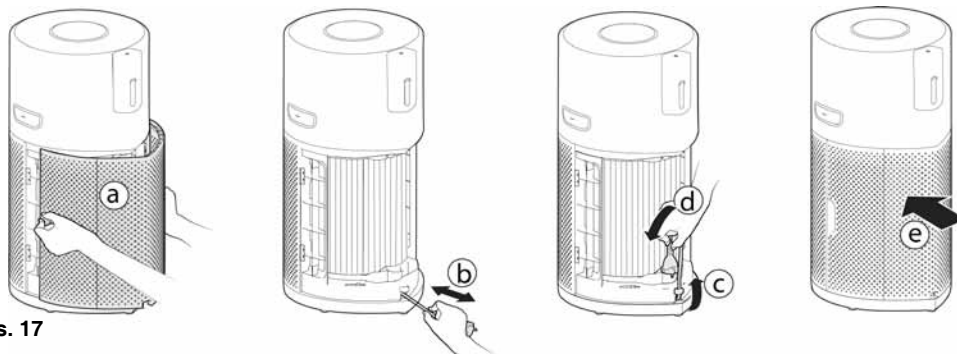


Rys. 16



## 5. PRZECHOWYWANIE URZĄDZENIA H-PURIFIER

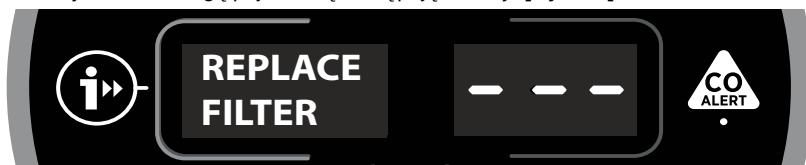
1. Wyłącz H-Purifier i wyjmij wtyczkę przewodu zasilającego z gniazdka.
2. Wyczyść wszystkie powierzchnie wewnętrzne i zewnętrzne urządzenia H-Purifier, a także zewnętrzną warstwę filtra.
3. Wyjmij butelkę z dyfuzora. Załóż oryginalną nakrętkę na butelkę i przechowuj ją, chroniąc przed bezpośrednim działaniem promieni słonecznych. Wyczyść powierzchnie zespołu dyfuzora i obudowy dyfuzora. Należy upewnić się, że na powierzchni urządzenia H-Purifier nie ma pozostałości H-Essence lub H-Biotics.
4. Upewnij się, że wszystkie elementy są suche.
5. Zdejmij osłonę wlotu powietrza [Rys. 17a], pociągnij za przewód, aby go zwinąć [Rys. 17b], zamocuj przewód na haku magazynowym i włóż wtyczkę do miejsca do przechowywania. [Rys. 17c,d] Ponownie zamontuj osłonę wlotu powietrza. [Rys. 17e]
6. H-Purifier należy przechowywać w chłodnym i suchym miejscu.



Rys. 17

## 6. ALARMY I ROZWIĄZANIA

Podczas użytkowania mogą pojawić się następujące kody. [Rys. 18]



Rys. 18

Alarm		Opis alarmu	Rozwiązanie
Alarm na urządzeniu	Alarm w aplikacji		
"OCZYŚĆ FILTR"	Alarm czyszczenia filtra wstępnego	Sugeruje czyszczenie zewnętrznej warstwy filtra.	1. Oczyszczyć zewnętrzną warstwę filtra. 2. Zresetuj alarm. W tym celu naciśnij przycisk INFORMACYJNY i przytrzymaj przez 3 s. <b>Patrz 4.1 KONSERWACJA FILTRA</b>
"WYMIENI FILTR"	Alarm wymiany filtra	Sugeruje wymianę filtra.	1. Wymień filtr. 2. Zresetuj alarm. W tym celu naciśnij przycisk INFORMACYJNY i przytrzymaj przez 3 s. <b>Patrz 4.1 KONSERWACJA FILTRA</b>
"BRAK FILTRA"	Błąd: pojawił się błąd dotyczący oczyszczacza powietrza. Należy sprawdzić możliwe rozwiązania	Filtr nie jest w prawidłowej pozycji lub nie jest prawidłowo zablokowany	1. W przypadku braku filtra należy ponownie włożyć filtr. 2. Jeśli filtr jest na swoim miejscu, sprawdź, czy przełącznik zwolnienia filtra jest w stanie ZABLOKOWANY. <b>Patrz 2.1 INSTALACJA FILTRA</b>
"BŁĄD CZUJNIKA PM"	/	Nieprawidłowe działanie czujnika PM	Awaria czujnika PM lub nieprawidłowe podłączenie przewodu czujnika. Prosimy o kontakt z centrum serwisowym w celu naprawy.
Dioda LED CO Alert jest żółta	Błąd: pojawił się błąd dotyczący oczyszczacza powietrza. Należy sprawdzić możliwe rozwiązania	Nieprawidłowe działanie czujnika CO lub czujnik przekroczył swój okres użytkowania.	Prosimy o kontakt z centrum serwisowym w celu naprawy.
/	Błąd: pojawił się błąd dotyczący oczyszczacza powietrza. Należy sprawdzić możliwe rozwiązania	Awaria silnika	Awaria silnika lub nieprawidłowe podłączenie przewodu silnika, prosimy o kontakt telefoniczny z centrum serwisowym w celu naprawy.
"BŁĄD CZUJNIKA TEMP. I WILG.""	/	Nieprawidłowe działanie czujnika temperatury i wilgotności	Awaria czujnika temperatury i wilgotności lub nieprawidłowe podłączenie przewodu czujnika. Prosimy o kontakt z centrum serwisowym w celu naprawy.
"PRZERWA"	/	Dyfuzor przerywa działanie, kiedy pierścień jakości powietrza LED Ring nie jest w kolorze zielonym.	Nie ma konieczności podejmowania jakichkolwiek działań. Dyfuzor wznowi działanie, kiedy pierścień jakości powietrza LED Ring będzie w kolorze zielonym.

**UWAGA:** Jeśli którakolwiek z tych usterek nie zniknie, skontaktować się z lokalnym przedstawicielem firmy HOOVER. Nie należy podejmować prób samodzielnego demontażu urządzenia H-Purifier.

## 7. ROZWIĄZYWANIE PROBLEMÓW

Poniżej znajduje się lista najczęściej spotykanych problemów i ich rozwiązanie.

Jeżeli którykolwiek z problemów utrzymuje się przez dłuższy czas, należy się skontaktować z przedstawicielem firmy Hoover.

Wentylator nie działa (Panel sterowania / Włączone oświetlenie wyświetlacza)	<ul style="list-style-type: none"> <li>• Sprawdzić alarm wyświetlany na wyświetlaczu lub w aplikacji. Jeśli tak, patrz <b>6. ALARMY I ROZWIĄZANIA</b>.</li> <li>• Sprawdzić, czy w wentylatorze nie występują przeszkody. Jeśli tak, należy najpierw wyjąć wtyczkę przewodu zasilającego urządzenia z gniazdka, usunąć przeszkody lub wezwać serwis, aby je usunął.</li> <li>• Sprawdzić, czy urządzenie H-Purifier jest włączone.</li> <li>• Sprawdzić, czy filtr jest prawidłowo zainstalowany i zablokowany.</li> <li>• Sprawdzić, czy urządzenie H-Purifier znajduje się w całkowicie pionowej pozycji i nie jest pochylone.</li> <li>• Urządzenie H-Purifier może być w trybie ECO. Można nacisnąć przycisk trybu uśpienia lub przycisk trybu maksymalnego, aby wyjść z trybu ECO. Patrz <b>3. UŻYTKOWANIE URZĄDZENIA H-PURIFIER – TRYB AUTO</b>.</li> </ul>
Wentylator nie działa (Panel sterowania / Wyłączone oświetlenie wyświetlacza)	<ul style="list-style-type: none"> <li>• Sprawdzić, czy urządzenie H-Purifier jest podłączone i włączone.</li> <li>• Sprawdzić alarm wyświetlany w aplikacji. Jeśli tak, patrz <b>6. ALARMY I ROZWIĄZANIA</b>.</li> </ul>
Brak podświetlenia panelu sterowania / Wyświetlacz (Wentylator działa)	<ul style="list-style-type: none"> <li>• W trybie uśpienia oświetlenie jest domyślnie ustawione na wyłączone. Aby włączyć oświetlenie, można nacisnąć przycisk sterowania oświetleniem.</li> <li>• Oświetlenie można wyłączyć. Aby włączyć oświetlenie, można nacisnąć przycisk sterowania oświetleniem. Patrz <b>3. UŻYTKOWANIE URZĄDZENIA H-PURIFIER – TRYB UŚPIENIA / Funkcja STEROWANIA OŚWIETLENIEM</b>.</li> </ul>
Przyciski na panelu sterowania nie działają	<ul style="list-style-type: none"> <li>• Włączona może być funkcja zabezpieczenia przed dziećmi. Można nacisnąć przycisk ZABEZPIECZENIA PRZED DZIEĆMI i przytrzymać przez 3 sekundy, aby z niej wyjść. Patrz <b>3. UŻYTKOWANIE URZĄDZENIA H-PURIFIER – Funkcja ZABEZPIECZENIA PRZED DZIEĆMI</b>.</li> </ul>
Staby przepływ powietrza	<ul style="list-style-type: none"> <li>• Sprawdzić, czy opakowanie ochronne zostało zdjęte z filtra.</li> <li>• Sprawdzić, czy w pokrywie wlotu powietrza lub wylocie powietrza występują przeszkody.</li> <li>• Zdjąć osłonę wlotu powietrza i sprawdzić stan filtra. Oczyszczyć zewnętrzną warstwę filtra lub w razie potrzeby wymienić filtr. Stan eksploatacji filtra można sprawdzić na wyświetlaczu po naciśnięciu przycisku informacyjnego.</li> <li>• Sprawdzić, czy urządzenie H-Purifier nie znajduje się w Trybie uśpienia. W tym trybie wentylator pracuje ze zmniejszoną mocą.</li> </ul>
Głośna praca urządzenia H-Purifier	<ul style="list-style-type: none"> <li>• Sprawdzić, czy nie ma żadnych przeszkody blokujących pracę urządzenia H-Purifier.</li> <li>• Sprawdzić, czy urządzenie H-Purifier nie działa w trybie maksymalnym. W tym trybie wentylator pracuje z maksymalną mocą.</li> </ul>
Nagła głośna praca urządzenia H-Purifier	<ul style="list-style-type: none"> <li>• Sprawdzić, czy H-Purifier nie działa w trybie automatycznym oraz czy pierścień jakości powietrza LED Ring nie jest zielony. W trybie automatycznym H-Purifier automatycznie dostosowuje prędkość wentylatora do rzeczywistego poziomu jakości powietrza w pomieszczeniu. Patrz <b>3. UŻYTKOWANIE URZĄDZENIA H-PURIFIER – TRYB AUTO</b>.</li> </ul>
H-Purifier nagle wydaje głośny brzęczący dźwięk	<ul style="list-style-type: none"> <li>• Została przypadkowo uruchomiona funkcja testująca przycisk CO Alert. Dźwięk wyłączy się automatycznie po 5 sekundach. Patrz <b>1.2 ALARM TLENKU WĘGLA (CO)</b></li> </ul>

## WAŻNE INFORMACJE

### CZĘŚCI ZAPASOWE I MATERIAŁY EKSPLOATACYJNE MARKI HOOVER

Należy zawsze wymieniać części na oryginalne części zapasowe firmy Hoover. Można je nabyć w lokalnym serwisie firmy Hoover lub bezpośrednio w firmie Hoover. Przy zamawianiu części zawsze należy podać numer danego modelu.

### Jakość

Fabryki firmy Hoover zostały poddane niezależnej kontroli pod kątem jakości. Nasze produkty zostały wytworzone z wykorzystaniem systemu kontroli jakości spełniającego wymogi normy ISO 9001.

### GWARANCJA

Warunki gwarancji na niniejsze urządzenie są określone przez naszego przedstawiciela w kraju, w którym urządzenie jest sprzedawane. Szczegółowe informacje na temat warunków gwarancji można uzyskać w punkcie, w którym urządzenie zostało nabyte. Przy zgłaszaniu wszelkich roszczeń w ramach gwarancji należy przedstawić dowód sprzedaży lub pokwitowanie.

Zastrzegamy sobie możliwość wprowadzania zmian bez wcześniejszego powiadomienia.



## OBECNÁ BEZPEČNOSTNÍ UPOZORNĚNÍ

Toto zařízení by mělo být používáno pouze pro soukromé použití v domácnosti, jak je popsáno v tomto návodu k použití. Před uvedením do provozu se, prosím, ujistěte, že návod plně rozumíte a uschovejte jej pro budoucí použití.

Před připojením spotřebiče zkontrolujte, zda napětí a hodnoty uvedené na štítku spotřebiče odpovídají napětí v místní síti.

Jestliže je poškozen síťový kabel, okamžitě přestaňte zařízení používat. Síťový kabel musí vyměnit autorizovaný servisní pracovník společnosti Hoover, aby nedošlo k ohrožení bezpečnosti při práci s přístrojem.

Neodpojujte zástrčku taháním za síťový kabel.

Umístěte síťový kabel tak, aby na něj nikdo nestoupl nebo o něj nezakopl.

Před přesunem, čištěním, nebo jakoukoli údržbou zařízení vždy vypněte a síťový kabel vytáhněte ze zásuvky.

Tento přístroj smí používat děti od 8 let výše. Osoby se sníženými fyzickými, smyslovými nebo mentálními schopnostmi nebo s nedostatkem zkušeností a znalostí smí tento přístroj používat, pokud jsou pod dohledem nebo jim byly dány pokyny týkající se bezpečného používání a byly seznámeny s možnými riziky. S přístrojem si nesmí hrát děti.

Čištění a údržbu nesmí provádět děti bez dozoru.

Spotřebič neodstraňuje oxid uhelnatý (CO) ani radon (Rn). Nelze jej použít jako bezpečnostní zařízení v případě nehod se spalovacími procesy a nebezpečnými chemikáliemi.

Nepoužívejte zařízení, pokud vám připadá vadné.

Neblokujte přívod vzduchu ani odvod vzduchu.

Nevkládejte prsty nebo předměty do odvodu vzduchu ani do přívodu vzduchu, aby se zabránilo zranění nebo nesprávnému provozu spotřebiče.

Spotřebič nečistěte vodou, jinými tekutinami nebo (hořlavými) čistícími prostředky, ani nedovolte, aby vnikly do spotřebiče. Předejdete tak úrazu elektrickým proudem a/nebo riziku požáru.

Nestříkejte okolo spotřebiče žádné hořlavé materiály, jako například insekticidy nebo vůně.

Tento spotřebič nenahrazuje řádné větrání, pravidelné vysávání ani použití digestoře nebo ventilátoru během vaření.

Používejte pouze spotřební materiál, filtry nebo náhradní díly doporučené nebo dodávané společností HOOVER.

Před zapnutím spotřebiče se ujistěte, že je filtr správně nainstalován.

Vyvarujte se nárazům do spotřebiče (zejména na přívod a odvod vzduchu) tvrdými předměty.

Uchovávejte čističku vzduchu v suchu.

Během provozu nikdy čističku nenaklánějte ani nevyprazdňujte.

Pokud se spotřebič delší dobu nepoužívá, mohou se na filtru množit bakterie. Po dlouhém nepoužívání zkontrolujte filtry. Pokud jsou filtry velmi špinavé, vyměňte je.

Pro zajištění vždy bezpečné a efektivní práce se zařízením doporučujeme, aby jakékoliv servisní práce nebo opravy prováděl pouze autorizovaný servisní pracovník společnosti Hoover.

## PROSTŘEDÍ PRO POUŽITÍ

Čističku umístěte a používejte pouze na suchém, stabilním a vodorovném povrchu, aby nedošlo k převrácení.

Ponechejte nejméně 20 cm volného místa za spotřebičem a na obou stranách spotřebiče a nejméně 30 cm volného místa nad spotřebičem.

Abyste předešli rušení, umístěte čističku nejméně 2 metry od elektrických spotřebičů, které používají vzdušné rádiové vlny, jako jsou televizory, rádia a hodiny ovládané rádiem.

Na spotřebič nepokládejte žádné předměty.

Nepoužívejte tento spotřebič, pokud jste použili repelent proti hmyzu nebo na místech s mastnými zbytky, hořícím kadidlem nebo chemickými výpary.

Neumistujte spotřebič na žádné z následujících míst:

- Na horké povrchy, do blízkosti horkých povrchů, otevřeného ohně nebo na přímé sluneční světlo, do blízkosti plynových spotřebičů, topných zařízení nebo krbů;
- Vedle nebo přímo nad topení nebo větrací otvory klimatizace, dveře, okna, ventilátory, sporáky nebo kdekoliv, kde by mohl mít průvan dopad na spotřebič;
- Do koupelny nebo na jiná místa, kde může být spotřebič vystaven stříkající, kapající nebo kondenzované vodě (např. přímo pod klimatizaci nebo nad rychlovarnou konvici);
- Do uzavřeného prostoru (např. do skříně nebo pod ní);
- Do oblasti, kde by teplota mohla klesnout pod  $-20\text{ °C}$  nebo stoupnout nad  $50\text{ °C}$ ;
- Do místnosti s velkými změnami teploty, do vlhkého prostředí nebo do prostředí s vysokými teplotami nebo vysokou vlhkostí, jako je koupelna, toaleta nebo kuchyň;
- Tam, kde by se mohlo zablokovat, např. záclonami nebo nábytkem;
- Tam, kde by senzor mohl být blokován nečistotami nebo prachem.

## BEZPEČNOSTNÍ POKYNY PRO MONITOR CO

Pokud je aktivován Alarm CO, měli byste otevřít všechna okna a dveře (pokud je to bezpečné). Pokud je to možné, vypněte všechna zařízení na spalování paliva a poté evakuujte pozemek a nechte okna a dveře otevřená. Okamžitě vyhledejte lékařskou pomoc pro každého, kdo trpí následky otravy oxidem uhelnatým. Nevstupujte znovu do nemovitosti, dokud se alarm nezastaví. Jakmile se úroveň CO vrátí na přijatelnou úroveň, alarm se zastaví. Nepoužívejte znovu žádné zařízení s palivem, dokud zdroj CO nebude lokalizován a odstraněn kvalifikovaným technikem.

V blízkosti spotřebiče nepoužívejte barvy, ředidla, výpary z rozpouštědel, osvěžovače vzduchu, aerosolové spreje nebo chemické čističe. Mohlo by to mít vliv na fungování Monitoru CO.

Chcete-li aktivovat Monitor CO, zapojte zástrčku do zásuvky. Kontrolka Alarmu CO (CO ALERT) bude svítit zeleným světlem. Když Monitor CO zjistí nebezpečnou hladinu CO, hlasitě zazní Alarm CO a tlačítka alarmu CO ALERT a LED indikátor kvality vzduchu budou blikat červeným světlem. Alarm bude znít, dokud zjištěný CO neklesne na bezpečnou úroveň.

Stisknutím tlačítka [CO ALERT] na 3 sekundy otestujete funkci Alarmu CO - alarm bude znít po dobu 5 sekund. Alarm testujte každý měsíc a po delší nepřítomnosti v budově (např. prázdniny). Pokud po 3 sekundách po stisknutí tlačítka Alarmu CO [CO ALERT] nezazvoní výstraha, obraťte se na středisko péče o zákazníky společnosti Hoover a požádejte o opravu poruchy kvalifikovaného technika.

Pokud se na displeji zobrazilo, že je senzor CO vadný nebo že bylo dosaženo konce jeho životnosti, obraťte se na středisko péče o zákazníky společnosti Hoover a požádejte o výměnu senzoru CO kvalifikovaného technika. Očekávaná životnost senzoru CO je 7 let a musí být po této době vyměněn.

Nedovolte malým dětem, aby stiskly tlačítka CO Alarm po dobu 3 sekund, protože by mohly být při vyzvánění alarmu vystaveny nadměrnému hluku.

Provozní vlhkost: 15 – 90% RH

Provozní teplota:  $0\text{ °C}$  do  $+40\text{ °C}$

Oxid uhelnatý ovlivňuje orgány nedostatkem kyslíku (dusením). CO se při vdechování váže na hemoglobin v krvi, který normálně přenáší kyslík po celém těle. CO trvale vytěsňuje schopnost kyslíkových molekul vázat se na hemoglobin, čímž redukuje kyslík pro životně důležité orgány. Jeho účinky na tělo se mohou lišit podle hladiny koncentrace a doby vystavení CO, ale odborníci se shodují, že i nízká úroveň expozice oxidu uhelnatého po delší dobu může mít vážné a trvalé účinky na celkové zdraví.

**VAROVÁNÍ:** ALARM CO JE URČEN K OCHRANĚ JEDNOTLIVCŮ PŘI AKUTNÍCH ÚČINCÍCH EXPOZICE OXIDU UHELNATÉHO NEBO K ZABRÁNĚNÍ CHRONICKÝM ÚČINKŮM EXPOZICE OXIDU UHELNATÉHO. JEDNOTLIVCI SE ZVLÁŠTNÍMI ZDRAVOTNÍMI POTŘEBAMI NEBUDOU ZCELA CHRÁNĚNI. POKUD MÁTE POCHYBNOSTI, PORADTE SE LÉKAŘEM.

Funkce Monitor CO není určena k použití ani se o ní nemá předpokládat použití jako náhrada za EN 50291-1 UL-2034, CSA-6.19 nebo jakýkoli jiný uznaný standardní certifikovaný alarm oxidu uhelnatého tam, kde místní nebo regionální nařízení nebo právní předpisy vyžadují jeho použití. Funkce Monitor CO je pouze doplňkové monitorovací zařízení sledující úroveň oxidu uhelnatého. Použití tohoto zařízení závisí na uvážení uživatele a předpokládá porozumění a přijetí jeho omezení, týkajících se dodržení příslušných zákonů nebo předpisů.

Tento spotřebič se nesmí používat jako náhrada za spotřebiče na spalování paliva včetně vhodných větracích a odsávacích systémů.

Notifikace monitoru CO na mobilu a na tabletu vyžadují funkční Wi-Fi připojení. Nejsou náhradou za nouzové monitorování třetí stranou.

## BEZPEČNOSTNÍ POKYNY PRO DIFUZÉR

Používejte pouze aromatický olej doporučený nebo dodávaný společnostmi HOOVER.

Pokud používáte funkci difuzéru H-Essence, nepoužívejte vedle čističky vzduchu samostatný zvlhčovač vzduchu.

Rozlitou esenci H-Essence ihned otřete. Ujistěte se, že jste vyčistili všechny rohy výrobku, které byly v kontaktu s H-Essence.

### Životní prostředí

Tento spotřebič je označen v souladu s Evropskou Směrnicí 2012/19/ES o omezení používání nebezpečných látek v elektrických a elektronických zařízeních (WEEE). Zajištěním správné likvidace tohoto výrobku pomůžete předcházet případným negativním důsledkům na životní prostředí a lidské zdraví, které by jinak mohly být způsobeny nesprávnou likvidací tohoto výrobku.

Symbol na tomto zařízení označuje, že tento výrobek nesmí být likvidován jako domovní odpad. Zařízení musí být předáno do příslušného sběrného místa pro likvidaci elektrických a elektronických zařízení. Likvidace musí proběhnout v souladu s místními ekologickými předpisy pro likvidaci odpadu. Pro další podrobné informace o zacházení, novém použití a likvidaci tohoto zařízení, prosím, kontaktujte váš místní úřad, společnost pro sběr odpadu nebo obchod, kde jste jej zakoupili.



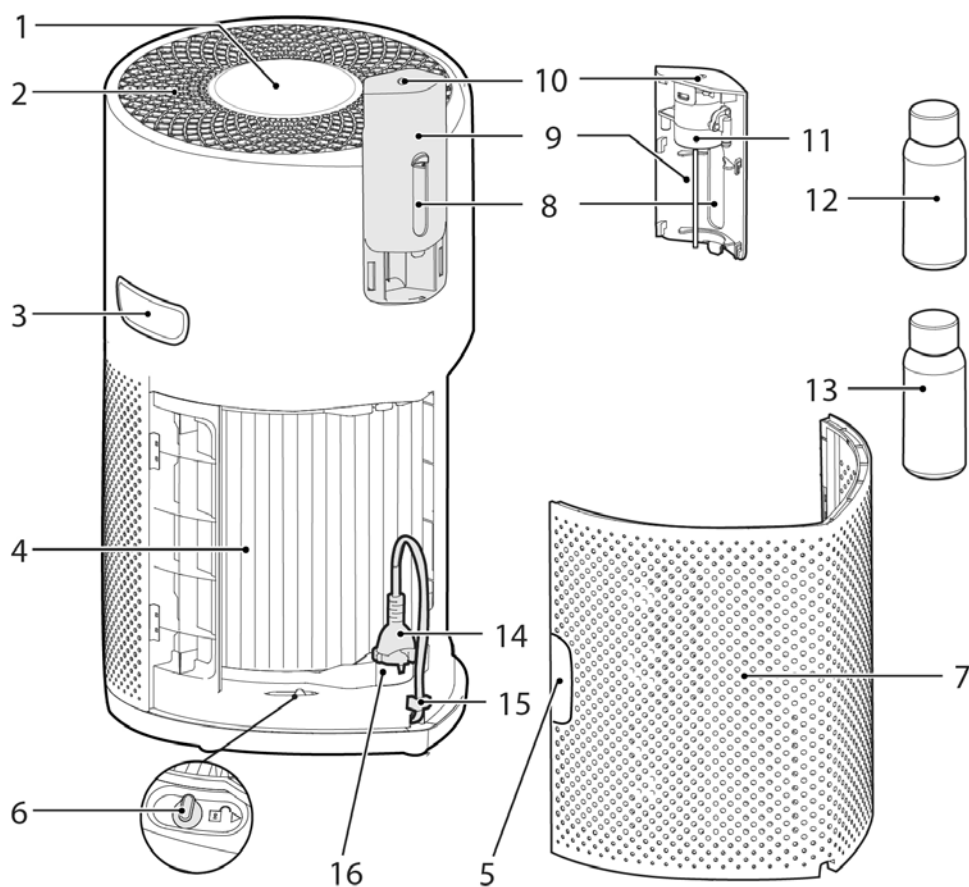
### Parametry bezdrátové sítě pro párování

Technologie	Wi-Fi	Bluetooth
Standardní	IEEE 802.11 b/g/n	Bluetooth v4.2, BLE
Frekvenční pásmo(a) (MHz)	2401~2483	2402~2480
Maximální výkon (mW)	100	10
Maximální výkon RF ve frekvenčním pásmu	18.9 dBm	

Tímto společnost Candy Hoover Group Srl prohlašuje, že rádiové zařízení je v souladu se směrnicí 2014/53/EU. Plné znění EU prohlášení o shodě je k dispozici na internetové adrese: [www.candy-group.com](http://www.candy-group.com)

CANDY HOOVER GROUP S.r.l. Via Privata Eden Fumagalli, 20861 Brugherio (MB) Italy

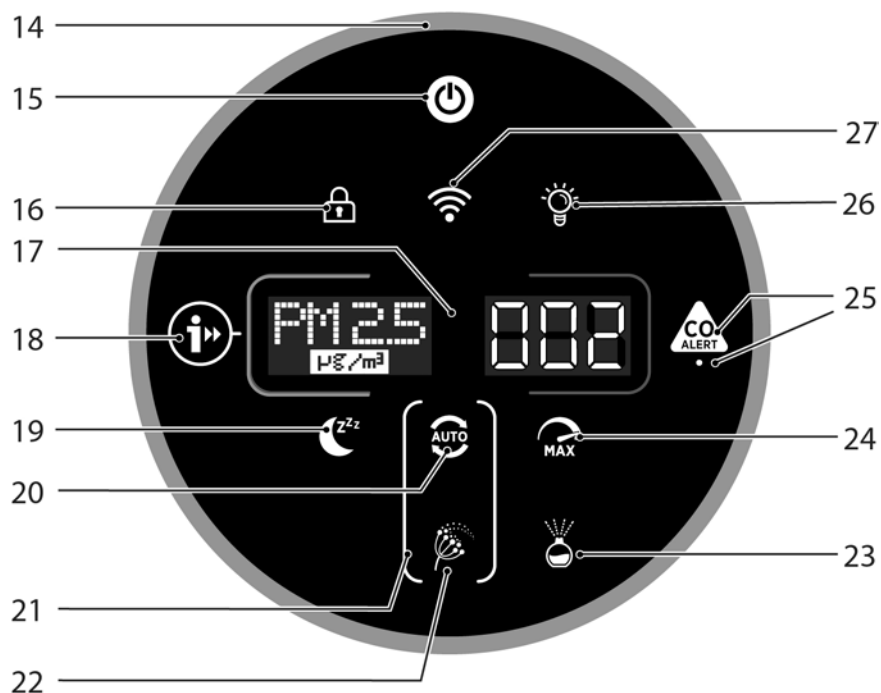
# 1. POZNEJTE VÁŠ H-PURIFIER



1	Ovládací panel / Displej
2	Odvod vzduchu
3	Rukojeť na přenášení produktu
4	Sestava filtru
5	Rukojeť krytu přívodu vzduchu
6	Tlačítko pro uvolnění filtru

7	Kryt přívodu vzduchu
8	Okno difuzéru
9	Kryt difuzéru
10	Výstup difuzéru
11	Jednotka difuzéru

12	Láhev H-Essence
13	Láhev H-Biotics
14	Síťový kabel a zástrčka
15	Úložný háček na kabel
16	Poloha během přepravy



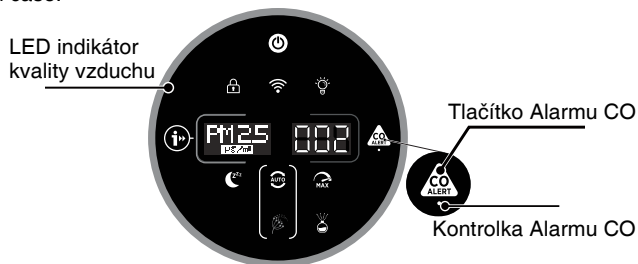
14	LED indikátor kvality vzduchu
15	Tlačítko zapnout / vypnout
16	Tlačítko dětská pojistka
17	Digitální displej
18	Informační tlačítko
19	Tlačítko Noční režim
20	Tlačítko Automatického režimu
21	Kruhová kontrolka na pylovou alergii
22	Kontrolka úrovně pylů
23	Tlačítko difuzéru
24	Tlačítko Maximálního režimu
25	Tlačítko Alarmu CO & LED kontrolka
26	Tlačítko ovládání světla
27	Tlačítko Wi-Fi

## 1.1 MULTISENZOROVÝ MONITOROVACÍ SYSTÉM

Díky Multisenzorovému monitorovacímu systému bude váš výrobek nepřetržitě monitorovat stav vzduchu uvnitř místnosti v jednotkách PM 10, PM 2,5 a těkavé organické látky (PLYN).

Pokaždé, když výrobek zapnete, Multisenzorový monitorovací systém začne analyzovat kvalitu vzduchu uvnitř místnosti a LED indikátor kvality vzduchu se rozsvítí různými barvami, které představují stav kvality vzduchu v reálném čase.

Barva LED indikátoru kvality vzduchu	Kvalita vzduchu v interiéru	Hodnota PM 10* $\mu\text{g}/\text{m}^3$	Hodnota PM 2,5 $\mu\text{g}/\text{m}^3$	Úroveň plyných těkavých organických látek
ZELENÁ	Skvělá	0-50	0-25	L1
ŽLUTÁ	Uspokojivá	50-80	25-50	L2
ORANŽOVÁ	Špatná	80-160	50-100	L3
ČERVENÁ	Velmi špatná	$\geq 160$	$\geq 100$	L4



\* V režimu pro alergiky se hodnoty PM 10, které jsou podstatné pro úroveň kvality vzduchu, sníží, aby se minimalizovalo riziko pro alergiky.

## 1.2 VÝSTRAHA PŘED OXIDEM UHELNATÝM (CO)

Čistička vzduchu H-Purifier je vybavena výstražným systémem, který bude neustále monitorovat vzduch uvnitř místnosti a přítomnost oxidu uhelnatého (CO). Je-li aktivován alarm oxidu uhelnatého, LED indikátor kvality vzduchu, informační & Alarm CO (CO ALERT) tlačítka současně blikají červeně a zazní zvukový alarm. Alarm zůstane v provozu, dokud se koncentrace oxidu uhelnatého (CO) nesníží na méně než 50 ppm, ledaže by byl manuálně vypnut stisknutím tlačítka Alarmu CO po dobu 3 sekund. Kontrolka Alarmu CO (CO ALERT) zobrazuje provozní stav senzoru CO. Zelená barva se zobrazí tehdy, je-li senzor CO v normálním stavu, žlutá barva, pokud čidlo nefunguje správně nebo překročil-li svou životnost, a červená barva, je-li aktivována výstraha před CO.

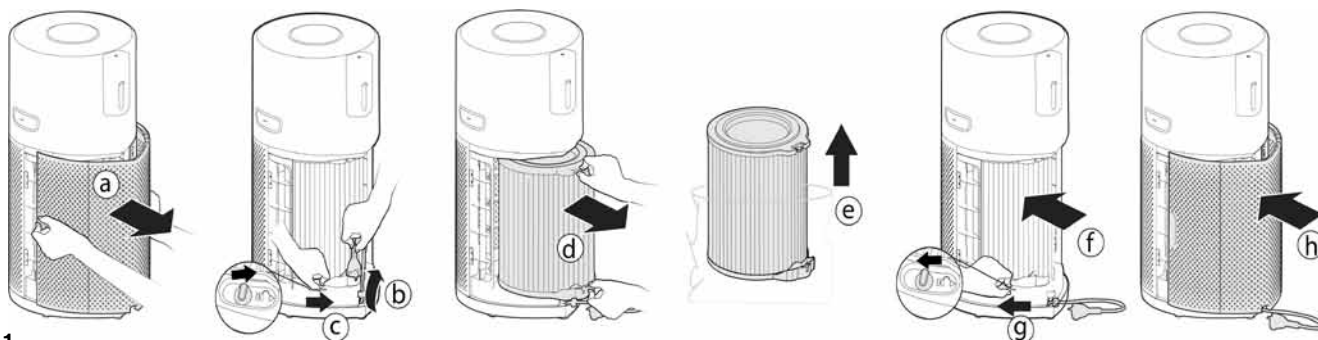
Správnou činnost alarmu můžete vyzkoušet tak, že na 3 sekundy stisknete tlačítka Alarmu CO ALERT. Pokud alarm funguje správně, po dobu 5 sekund bude znít hlasitá zvuková signalizace.

## 2. PŘIPRAVTE VÁŠ H-PURIFIER

### 2.1 INSTALACE FILTRU [Obr. 1]

Před použitím vašeho H-Purifieru budete muset vyjmout filtr z jeho ochranného obalu:

- Sejměte kryt přívodu vzduchu z vašeho produktu: uchopte dvě rukojeti krytu přívodu vzduchu a vytáhněte jej z produktu. [Obr. 1a]
- Vytáhněte zástrčku z polohy během přepravy a uvolněte kabel z úložného háčku. [Obr. 1b]
- Odjistěte tlačítko pro uvolnění filtru. [Obr. 1c]
- Vyměňte filtr z vašeho produktu a odstraňte vnější obal. [Obr. 1d,e]
- Vložte filtr zpět do vašeho produktu. [Obr. 1f]
- Zajistěte tlačítko pro uvolnění filtru. [Obr. 1g]
- Nasadte kryt přívodu vzduchu zpět na své místo. [Obr. 1h]

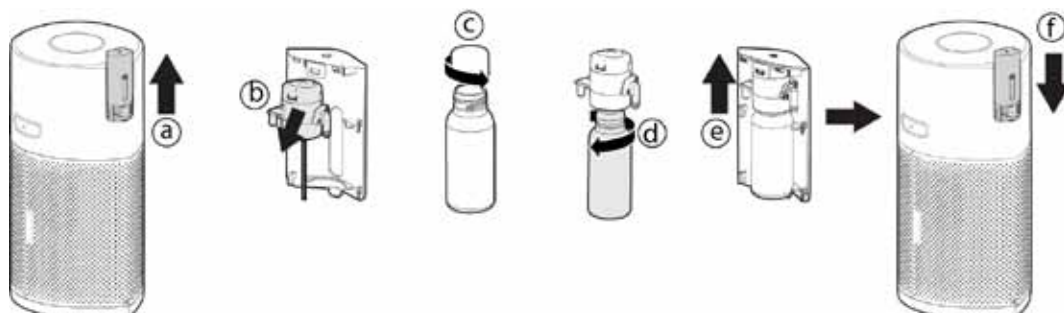


Obr. 1

### 2.2 INSTALACE LAHVIČKY DIFUZÉRU [Obr. 2]

Příprava H-Purifier čističky vzduchu k funkci difuzéru:

- Sejměte kryt difuzéru z produktu. [Obr. 2a]
- Vyměňte jednotku difuzéru z krytu difuzéru. [Obr. 2b]
- Vyměňte lahvičku H-Essence nebo H-Biotics z obalu a odstraňte víčko. [Obr. 2c]
- Víčko uschovejte pro budoucí použití během uskladnění.
- Lahvičku pevně přišroubujte k jednotce difuzéru. [Obr. 2d]
- Nasadte zpět jednotku difuzéru do jeho krytu. [Obr. 2e]
- Nasadte zpět kryt difuzéru do vaší čističky vzduchu. [Obr. 2f]



Obr. 2

### 3. POUŽITÍ H-PURIFIERU

#### 3.1 ZAPNUTÍ VÝROBKU [Obr. 4]:

Vytáhněte napájecí kabel z navíječe kabelu a zapojte jej do zásuvky.

Všechny kontrolky na ovládacím panelu / displeji se zcela rozsvítí přibližně na 1 sekundu, aby signalizovaly úspěšné zapojení.

Tlačítko ZAPNOUT/VYPNOUT bude slabě svítit a kontrolka Alarmu CO ALERT bude SVÍTIT, což znamená, že příslušný senzor začal pracovat na monitorování úrovně oxidu uhelnatého uvnitř místnosti.

Chcete-li produkt zapnout, stiskněte tlačítko ZAPNOUT / VYPNOUT na displeji.

LED indikátor kvality vzduchu se postupně rozsvítí všemi barvami, což indikuje, že senzory analyzují stav v reálném čase. Po několika sekundách zvolí LED indikátor kvality vzduchu vhodnou barvu pro kvalitu vzduchu v daném okamžiku. Váš H-Purifier okamžitě přejde do REŽIMU AUTO a začne čistit vnitřní vzduch. Na displeji se rozsvítí tlačítka AUTOMATICKÝ REŽIM, INFORMAČNÍ, OVLÁDÁNÍ SVĚTLA a informace PM 10.

#### 3.2 PŘIPOJTE SVŮJ H-PURIFIER:

Pro přístup ke všem funkcím H-Purifieru odkudkoli doporučujeme stáhnout aplikaci hOn.

Svůj produkt budete moci ovládat co neefektivnějším způsobem.

##### Pokyny:

1. Stáhněte si aplikaci hOn z Apple App Store, Google Play nebo Huawei App Gallery. Můžete si ji také stáhnout naskenováním QR kódu na **obr. 5**.
2. Otevřete aplikaci a vytvořte si účet pomocí e-mailu a hesla.
3. Potvrďte a přihlaste se do aplikace hOn.
4. Zkontrolujte, zda je vaše mobilní zařízení připojeno k síti Wi-Fi.
5. Ujistěte se, že je váš H-Purifier zapnutý. Stiskněte a podržte tlačítko Wi-Fi na displeji po dobu 5 sekund, ozve se zvukový signál a tlačítko Wi-Fi začne blikat, čímž signalizuje, že čeká na připojení. **[Obr. 6]**
6. Podle pokynů v aplikaci připojte mobilní zařízení k vašemu produktu.
7. Po úspěšném spárování zůstane tlačítko Wi-Fi produktu rozsvícené.
8. Chcete-li resetovat síť Wi-Fi, stiskněte a podržte tlačítko Wi-Fi po dobu 5 sekund.

Čistička vzduchu H-Purifier funguje také s hlasovými asistenty Hey Google a Amazon Alexa.

#### 3.3 OBJEVTE VŠECHNY FUNKCE

##### Funkce INFORMACE [Obr. 7]:

K dispozici je 6 různých hodnot k monitoringu:

PM 10, PM 2,5, PLYN (GAS), Teplota (TEMP), Vlhkost (HUMIDITY) a Stav filtru (FILTER LIFE).

Chcete-li sledovat jednotlivé hodnoty, tiskněte postupně po sobě tlačítko INFORMACE, tím listujete v nabídce. Ve výchozím nastavení se na displeji zobrazí údaje PM 10, produkt si zapamatuje poslední volbu uživatele a zachová tuto volbu při následujícím spuštění produktu.

Data PLYN (GAS) zobrazí během prvních 3 minut po zapnutí výrobku otáčející se kurzor během toho, jak senzor PLYNU provádí kalibrační cyklus.

##### Více informací o PM 2,5, PM 10 a PLYN (GAS):

PM označuje jemné částice (pro lidské oko neviditelné) pocházející hlavně z venkovního znečištění, jako jsou emise vozidel a průmyslové emise, které jsou v případě dlouhodobé expozice potenciálně nebezpečné pro zdraví.

Částice PM 10 mají velikost do 10  $\mu\text{m}$  a jsou schopny proniknout do horních cest dýchacích (nos, průdušnice, hltan).

Částice PM 2,5 mají velikost do 2,5  $\mu\text{m}$  a vzhledem ke svému malému rozměru se mohou dostat do plic a proniknout tak hlouběji do těla.

PLYNNÉ VOC (těkavé organické sloučeniny) jsou těkavé chemické sloučeniny se schopností snadného odpařování se do vzduchu při pokojové teplotě. Deodoranty, čisticí prostředky, lepidla, pojiva, kosmetika, formaldehyd jsou jen některé z VOC, které se mohou vyskytovat v domácnostech, ale při dlouhodobém působení mohou být zdraví škodlivé.

##### Funkce REŽIMŮ:

K dispozici jsou 3 režimy čištění vzduchu: AUTOMATICKÝ REŽIM, MAXIMÁLNÍ REŽIM A REŽIM SPÁNKU. Automatický režim je výchozí nastavení produktu. Všechny režimy lze vybrat ručně stisknutím příslušného tlačítka na displeji.

REŽIM PRO ALERGIKY lze aktivovat pouze prostřednictvím aplikace hOn.

##### AUTOMATICKÝ REŽIM [Obr. 8]:

Toto je výchozí režim vaší H-Purifier čističky vzduchu při prvním zapnutí. V automatickém režimu čistička vzduchu H-Purifier automaticky upravuje rychlost ventilátoru dle skutečné úrovně kvality vzduchu v interiéru. Tím vždy zaručí optimální čištění vzduchu.

Toto je doporučené nastavení vaší čističky vzduchu.

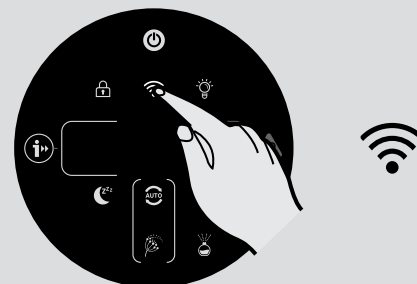
V Automatickém režimu po 30 minutách vynikající kvality vzduchu přejde váš výrobek do režimu ECO (pohotovostní funkce) a pozastaví se funkce čištění (ventilátor). Multisenzorový monitorovací systém bude pokračovat v analýze vzduchu uvnitř místnosti a v případě potřeby automaticky zapne funkci čištění.



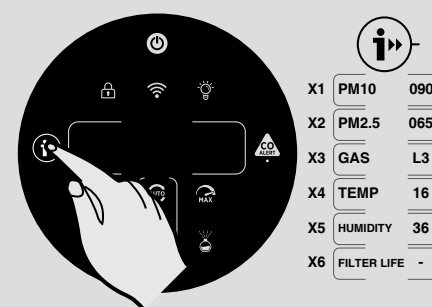
Obr. 4



Obr. 5



Obr. 6



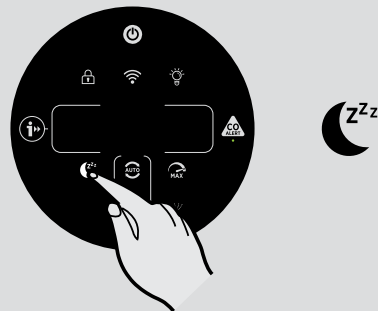
Obr. 7



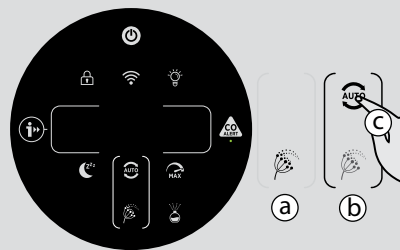
Obr. 8



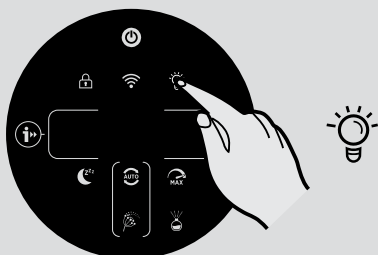
Obr. 9



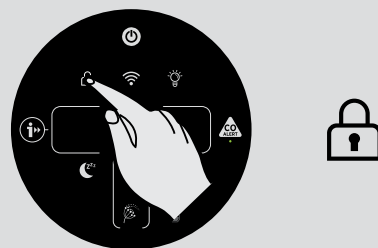
Obr. 10



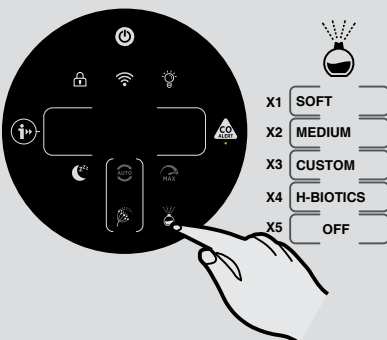
Obr. 11



Obr. 12



Obr. 13



Obr. 14

**MAXIMÁLNÍ REŽIM [Obr. 9]:**

Stisknutím tlačítka režimu MAX na displeji aktivujete čištění vzduchu s nastavením maximálního výkonu. Chcete-li režim MAX ukončit, jednoduše vyberte režim AUTO nebo REŽIM SPÁNKU.

**REŽIM SPÁNKU [Obr. 10]:**

Stisknutím tlačítka REŽIM SPÁNKU aktivujete čištění vzduchu s nastavením nejnižšího tichého výkonu. Tlačítko REŽIMU SPÁNKU bude svítit jen slabě a všechny ostatní kontrolky displeje budou zhasnuté. To můžete upravit stisknutím ovládacího tlačítka SVĚTLA.

**REŽIM PRO ALERGIKY: [Obr. 11]**

Režim pro alergiky lze aktivovat pouze prostřednictvím aplikace hOn. Nejprve budete požádáni o registraci a aktivaci profilu v aplikaci, abyste mohli vytvořit svůj alergický profil.

Režim pro alergiky funguje pouze v případě, že je vybrán AUTOMATICKÝ REŽIM. [Obr. 11c]

V režimu pro alergiky spotřebič nepřetržitě přijímá z aplikace údaje o sledované koncentraci pylu venku v reálném čase a automaticky pracuje na maximalizaci výkonu při zachycování pylu.

Pyl je po zachycení zničen, aby se zmírnily alergické příznaky.

Pokud je v aplikaci aktivován režim pro alergiky, mohou se na displeji produktu zobrazit 2 možné kontrolky upozornění:

- Kontrolka úrovně pylů je **BÍLÁ** [Obr. 11a]: Čistička vzduchu a aplikace monitorují přítomnost pylu venku a nehrozí žádné riziko.

- Kontrolka úrovně pylu se zbarví **ŽLUTÉ** a Kruhová kontrolka pylové alergie se zbarví **BÍLE** [Obr. 11b]: Přístrojem a aplikací bylo detekováno riziko.

Pokud je výrobek ručně přepnut do režimu SPÁNKU nebo do MAXIMÁLNÍHO režimu, zatímco je aktivní režim pro alergiky, režim pro alergiky se zastaví.

**Funkce OVLÁDÁNÍ SVĚTLA: [Obr. 12]**

K dispozici jsou 3 nastavení pro osvětlení displeje, On (zapnuté), Dim (tlumené) & Off (vypnuté). Chcete-li upravit jas osvětlení displeje, jednoduše tiskněte tlačítko ovládací SVĚTLA na displeji a projděte 3 dostupné možnosti. Výchozí nastavení je ON (ZAPNUTÉ).

Je-li vybrána možnost OFF (vypnuté), bude nutné stisknout jakékoli jiné tlačítko dvakrát, aby se aktivovalo. Po jednom stisknutí se světla změní na DIM (tlumené), při druhém stisknutí se funkce aktivuje.

**Funkce DĚTSKÁ POJISTKA: [Obr. 13]**

Stiskněte a podržte tlačítko DĚTSKÁ POJISTKA po dobu 3 sekund, čímž se zaktivuje. Při aktivaci zazní zvukový signál a tlačítko DĚTSKÁ POJISTKA zůstane rozsvícené. Je-li aktivní, nebudou fungovat žádná jiná tlačítka.

K ukončení stačí stisknout a podržet tlačítko DĚTSKÁ POJISTKA po dobu 3 sekund. Poté se ozve zvukový signál, který potvrdí, že je funkce vypnutá a tlačítko přestane svítit.

**Funkce DIFUZÉRU: [Obr. 14]**

Difuzér uvolňuje do vzduchu v místnosti H-Essence nebo H-Biotics. H-Essence je sada esenciálních olejů Hoover, které uvolňují do vzduchu příjemné vůně.

H- Biotics je směs založená na probiotikách, která udržuje místnost bio-hygienizovanou a omezuje růst mikroorganismů, jako jsou bakterie nebo mikroby.

K dispozici jsou 4 různá nastavení pro funkci DIFUZÉRU: SOFT (slabé), STŘEDNÍ (střední), VLASTNÍ (vlastní) a H-BIOTICS. Chcete-li tuto funkci aktivovat, jednoduše stiskněte tlačítko Difuzér na displeji. Výchozí nastavení této funkce je SLABÉ. Chcete-li zvolit jiné nastavení, jednoduše stiskněte tlačítko několikrát po sobě, čímž přepnete na požadovanou volbu. Po zapnutí se tlačítko rozsvítí bíle.

U H-Essence se doporučuje použít SOFT & STŘEDNÍ (SLABÉ & STŘEDNÍ) nastavení.

VLASTNÍ nastavení je možné vytvořit pouze v aplikaci hOn.

Při použití H-Biotics **MUSÍ** být volba nastavena na H-Biotics. Poté co uživatel aktivuje H-Biotics pomocí aplikace, zobrazí se po 120 hodinách upozornění „ACTIVATE H-BIOTICS“ (AKTIVOVAT H-BIOTICS), aby se zajistilo používání H-Biotics každých 5 dní.



V určitých podmínkách nebo prostředí při použití H-Essence se může hladina PLYNNÝCH TĚKAVÝCH LÁTEK VOC změnit v důsledku detekce vonných látek. Funkce difuzéru funguje pouze tehdy, pokud LED indikátor kvality vzduchu svítí zelenou barvou. Pokud LED indikátor kvality vzduchu nesvítí zeleně, funkce se pozastaví a bude pokračovat v činnosti, dokud se oblast opět nezmění na zelenou. Funkci difuzéru lze používat pouze v režimech AUTO a MAX a nelze ji používat v REŽIMU SLEEP (SPÁNKU).

Když aktivujete funkci Difuzéru v režimu AUTO, hlavní ventilátor bude pracovat při specifické rychlosti, aby pomohl šířit H-Essence nebo H-Biotics do místnosti.

Nastavení	Časování rozprašovače	Maximální doba trvání cyklu
SLABÉ	po dobu 10 sekund každých 5 minut	6 hodin
STŘEDNÍ	po dobu 90 sekund každé 3,5 minuty.	6 hodin
VLASTNÍ	Definováno uživatelem	6 hodin
H-BIOTICS	po dobu 2 minut každé 4 minuty	6 hodin

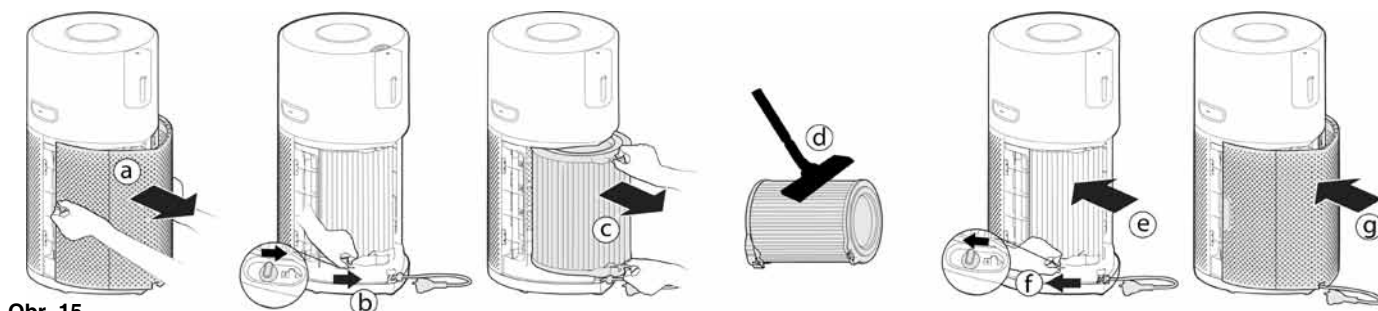
## 4. ÚDRŽBA VAŠEHO H-PURIFIERU

### 4.1 ÚDRŽBA FILTRU

Váš H-Purifier bude sledovat stav filtru. Na levé straně displeje se zobrazí upozornění **CLEAN FILTER NEBO REPLACE FILTER (VYMĚNIT FILTR) (VYČISTIT FILTR NEBO VYMĚNIT FILTR)**, což signalizuje, že je nutné provést čištění nebo výměnu filtru.

**Čištění / Výměna filtru: [Obr. 15]**

- Odstraňte kryt přívodu vzduchu z vašeho produktu. [Obr. 15a]
- Odjistěte tlačítko pro uvolnění filtru. [Obr. 15b]
- Odstraňte filtr z vašeho produktu. [Obr. 15c]
- Pomocí vysavače vyčistěte vnější vrstvu filtru nebo filtr vyměňte za NOVÝ. [Obr. 15d]
- Vložte filtr do vašeho produktu. [Obr. 15e]
- Zajistěte tlačítko pro uvolnění filtru. [Obr. 15f]
- Nasadte kryt přívodu vzduchu zpět na své místo. [Obr. 15g]
- Připojte čističku vzduchu do napájecího zdroje a zapněte ji.
- Na 3 sekundy stiskněte tlačítko INFORMACE, abyste zresetovali výstrahu Čištění/Výměna. Ozve se zvukový signál, který indikuje úspěšné resetování. [Obr. 7]



Obr. 15

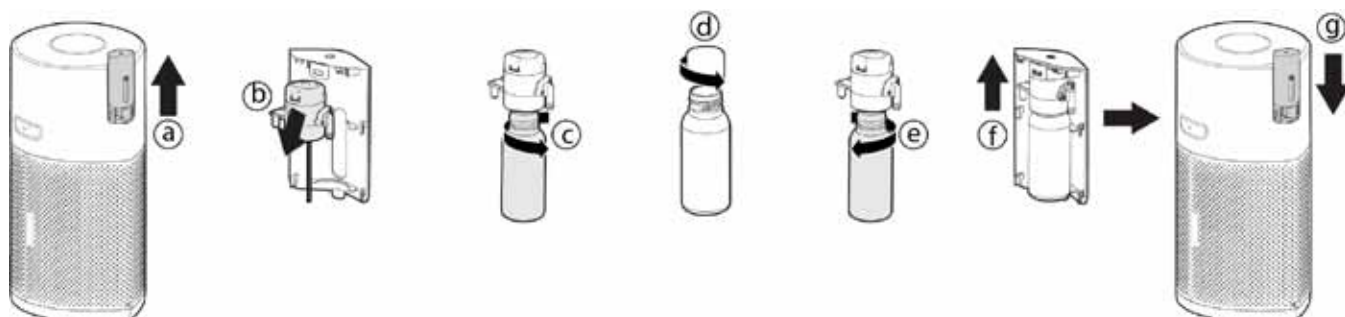
### 4.2 ÚDRŽBA DIFUZÉRU

Po každém použití funkce difuzéru očistěte pomocí suchého měkkého hadříku veškeré zbytky z povrchu produktu.

**Výměna lahvičky difuzéru: [Obr. 16]**

Objem zbývající kapaliny v lahvičce lze zkontrolovat pomocí okna difuzéru, v případě potřeby je třeba lahvičku vyměnit.

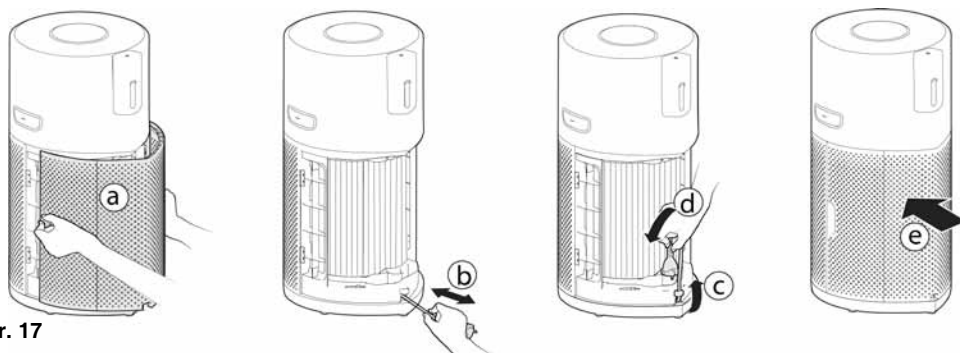
- Sejměte kryt difuzéru z produktu. [Obr. 16a]
- Vyjměte jednotku Difuzéru a lahvičku z krytu difuzéru. [Obr. 16b]
- Odšroubujte a vyjměte prázdnou lahvičku. [Obr. 16c]
- Vyjměte novou lahvičku H-Essence nebo H-Biotics z obalu a odstraňte víčko. [Obr. 16d]
- Novou lahvičku pevně přišroubujte k jednotce difuzéru. [Obr. 16e]
- Namontujte jednotku difuzéru zpět do krytu difuzéru. [Obr. 16f]
- Vložte zpět kryt difuzéru do H-Purifier čističky vzduchu. [Obr. 16g]



Obr. 16

## 5. SKLADOVÁNÍ VAŠEHO H-PURIFIERU.

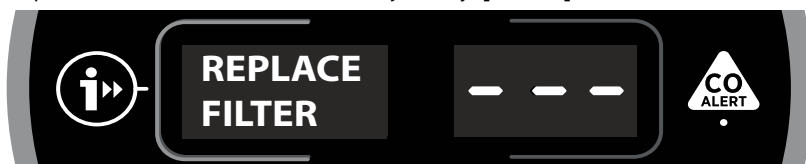
1. Vypněte H-Purifier a odpojte napájecí kabel.
2. Vyčistěte všechny vnitřní a vnější povrchy čističky vzduchu H-Purifier a vnější vrstvu filtru.
3. Vyměňte lahvičku z difuzéru. Nasadte zpět původní uzávěr na lahvičku a uskladněte ji tak, aby byla chráněna před přímým světlem. Vyčistěte povrchy jednotky a krytu difuzéru. Ujistěte se, že se na žádném povrchu H-Purifieru nenacházejí zbytky H-Essence nebo H-Biotics.
4. Zkontrolujte, zda jsou všechny součásti suché.
5. Odstraňte kryt přívodu vzduchu [obr. 17a], naviňte napájecí kabel zatažením za něj [obr. 17b], kabel umístěte na úložný hák a zástrčku zasuňte do polohy během přepravy. [Obr. 17c,d] Nasadte zpět kryt přívodu vzduchu. [Obr. 17e]
6. H-Purifier skladujte na chladném a suchém místě.



Obr. 17

## 6. VÝSTRAHY & ŘEŠENÍ

Během používání se mohou zobrazit následující kódy. [Obr. 18]



Obr. 18

Výstraha		Popis výstrahy	Řešení
Výstraha na výrobku	Výstraha v aplikaci		
"CLEAN FILTER (VYČISTIT FILTR)"	Upozornění na vyčištění předfiltru	Doporučení vyčistit vnější vrstvu filtru.	1. Vyčistěte vnější vrstvu filtru. 2. Resetujte výstrahu podržením tlačítka INFORMACE na 3 sekundy. <b>Viz 4.1 ÚDRŽBA FILTRU</b>
"REPLACE FILTER (VYMĚNIT FILTR)"	Upozornění na výměnu filtru	Doporučení vyměnit filtr.	1. Vyměňte filtr. 2. Resetujte výstrahu podržením tlačítka INFORMACE na 3 sekundy. <b>Viz 4.1 ÚDRŽBA FILTRU</b>
"FILTER MISSING (FILTR CHYBÍ)"	Chyba: došlo k chybě čističky vzduchu, prosím, zkontrolujte možná řešení.	Filtr není na svém místě nebo není správně zajištěn.	1. Pokud chybí filtr, vraťte jej zpět. 2. Pokud je filtr na svém místě, zkontrolujte, zda je jistič filtru v poloze LOCK (zajištěn). <b>Viz 2.1 INSTALACE FILTRU</b>
"PM SENSOR ERROR (CHYBA SENZORU PM)"	/	Porucha PM senzoru	Porucha senzoru PM nebo vedení senzoru není správně připojeno. Prosím, zavolejte servisní středisko Hoover a požádejte o opravu.
Kontrolka Alarmu CO Alert je žlutá.	Chyba: došlo k chybě čističky vzduchu, prosím, zkontrolujte možná řešení.	Chybná funkce senzoru CO nebo senzor CO překročil svou životnost.	Zavolejte servisní středisko Hoover a požádejte o opravu.
/	Chyba: došlo k chybě čističky vzduchu, prosím, zkontrolujte možná řešení.	Porucha motoru	Porucha motoru nebo vedení motoru nebylo správně připojeno, obraťte se na servisní středisko Hoover k opravě.
"TEMP. & HUMI. SENSOR ERROR (CHYBA SENZORŮ TEPLoty A VLHKOSTI)"	/	Porucha senzorů teploty a vlhkosti	Porucha senzoru teploty a vlhkosti nebo vedení senzoru není správně připojeno. Kontaktujte servisní středisko Hoover a požádejte o opravu.
"PAUSE (PAUZA)"	/	Provoz difuzéru se pozastaví, když LED indikátor kvality vzduchu nesvítí zeleně.	Nemusíte dělat nic. Provoz difuzéru bude pokračovat, když bude LED indikátor kvality vzduchu svítit zeleně.

**POZOR:** Jestliže některá z těchto chyb přetrvává, kontaktujte vašeho místního zástupce Hoover. **NEPOKOUŠEJTE** se H-Purifier čističku vzduchu rozebírat sami.

## 7. ŘEŠENÍ POTÍŽÍ

Následuje seznam běžných problémů a jejich řešení.

Pokud kterýkoliv z těchto problémů přetrvává, kontaktujte vašeho místního zástupce Hoover.

Ventilátor nefunguje (Ovládací panel / Kontrolky displeje svítí)	<ul style="list-style-type: none"> <li>Zkontrolujte upozornění zobrazené na displeji nebo v aplikaci. Pokud se nějaké upozornění zobrazuje, viz bod <b>6. VÝSTRAHY A ŘEŠENÍ</b>.</li> <li>Zkontrolujte, zda se ve ventilátoru nenachází nějaké překážky. Pokud jsou nějaké přítomny, nejprve odpojte výrobek ze zásuvky a odstraňte je nebo kontaktujte servisní středisko a požádejte o odstranění.</li> <li>Zkontrolujte, zda je H-Purifier zapnutý.</li> <li>Zkontrolujte, zda je filtr správně nainstalován a zajištěn.</li> <li>Zkontrolujte, zda je H-Purifier ve zcela svislé poloze a není nakloněn.</li> <li>H-Purifier může být v režimu ECO. Režim ECO můžete zrušit stisknutím tlačítka režimu SPÁNKU nebo tlačítka MAXIMÁLNÍHO režimu. Viz <b>3. POUŽITÍ H-PURIFIERU – AUTOMATICKÝ REŽIM</b>.</li> </ul>
Ventilátor nefunguje (Ovládací panel / Kontrolky displeje nesvítí)	<ul style="list-style-type: none"> <li>Zkontrolujte, zda je H-Purifier zapojený v zásuvce a zapnutý.</li> <li>Zkontrolujte upozornění zobrazené v aplikaci. Pokud se nějaké upozornění zobrazuje, viz bod <b>6. VÝSTRAHY A ŘEŠENÍ</b>.</li> </ul>
Na ovládacím panelu nesvítí žádné kontrolky / Displej (Ventilátor pracuje)	<ul style="list-style-type: none"> <li>V režimu spánku je výchozí nastavení osvětlení vypnuto. Můžete stisknout tlačítko ovládání světla, abyste zapnuli osvětlení.</li> <li>Osvětlení může být vypnuto. Stiskněte tlačítko ovládání světla, abyste zapnuli osvětlení. Viz <b>3. POUŽITÍ H-PURIFIERU – REŽIM SPÁNKU / Funkce OVLÁDÁNÍ SVĚTLA</b>.</li> </ul>
Tlačítka na ovládacím panelu nefungují.	<ul style="list-style-type: none"> <li>Může být aktivován dětský zámek. Přidržením tlačítka CHILD LOCK (DĚTSKÝ ZÁMEK) na 3 sekundy toto nastavení zrušíte. Viz <b>3. POUŽITÍ H-PURIFIERU – Funkce DĚTSKÁ POJISTKA</b>.</li> </ul>
Průtok vzduchu je slabý	<ul style="list-style-type: none"> <li>Zkontrolujte, zda byl z filtru odstraněn ochranný obal.</li> <li>Zkontrolujte, že se v krytu přívodu vzduchu nebo na výstupu vzduchu nenachází žádné překážky.</li> <li>Odstraňte kryt přívodu vzduchu a zkontrolujte stav filtru. Vyčistěte vnější vrstvu filtru nebo v případě potřeby filtr vyměňte. Stav životnosti filtru můžete zkontrolovat na displeji stisknutím tlačítka informací.</li> <li>Zkontrolujte, zda je H-Purifier v režimu SLEEP (SPÁNKU). Ventilátor pracuje v tomto režimu se sníženým výkonem.</li> </ul>
H-Purifier pracuje velmi hlučně.	<ul style="list-style-type: none"> <li>Zkontrolujte, zda v čističce vzduchu H-Purifier nejsou překážky.</li> <li>Zkontrolujte, zda H-Purifier běží v maximálním režimu. V tomto režimu pracuje ventilátor na maximální výkon.</li> </ul>
H-Purifier náhle pracuje hlasitě.	<ul style="list-style-type: none"> <li>Zkontrolujte, zda H-Purifier běží v automatickém režimu a zda LED indikátor kvality vzduchu nesvítí zeleně. V automatickém režimu H-Purifier automaticky upravuje rychlost ventilátoru na skutečnou úroveň kvality vzduchu v interiéru. Viz <b>3. POUŽITÍ H-PURIFIERU – AUTOMATICKÝ REŽIM</b>.</li> </ul>
H-Purifier náhle vydá hlasitý zvukový signál.	<ul style="list-style-type: none"> <li>Testovací funkce tlačítka Alarmu CO je aktivována nesprávnou obsluhou. Zvuk automaticky přestane znít po 5 sekundách. Viz <b>1.2 VÝSTRAHA PŘED OXIDEM UHELNATÝM (CO)</b></li> </ul>

## DŮLEŽITÉ INFORMACE

### Náhradní díly a spotřební materiály Hoover

Vždy používejte originální náhradní díly společnosti Hoover. Získáte je u místního prodejce výrobků Hoover nebo u servisních partnerů. Při objednávce dílů laskavě vždy uvádějte číslo modelu.

### Kvalita

Kvalita výroby ve výrobních továrnách společnosti Hoover byla posouzena nezávislou organizací. Naše výrobky jsou vyráběny podle systému jakosti, který splňuje požadavky ISO 9001.

### Vaše záruka

Záruční podmínky pro tento vysavač stanovuje váš zástupce v zemi, v níž je prodáván. Přesné znění podmínek vám poskytne prodejce, u něhož jste si zařízení zakoupili. Při reklamaci podle těchto záručních podmínek je nutno předložit doklad o koupi nebo účtenku.

Právo změny bez předchozího upozornění vyhrazeno.

**VŠEOBECNÉ BEZPEČNOSTNÉ UPOZORNENIA**

Tento spotrebič by sa mal používať iba na domáce použitie, ako je to opísané v tejto používateľskej príručke. Pred prácou so spotrebičom sa, prosím, uistite, že ste úplne porozumeli tejto príručke. Príručku uschovajte pre budúce použitie.

Pred pripojením spotrebiča skontrolujte, či napätie a menovité hodnoty uvedené na štítku spotrebiča zodpovedajú napätiu v miestnej elektrickej sieti.

Ak je napájací kábel poškodený, okamžite prestaňte spotrebič používať. Aby nedošlo k ohrozeniu bezpečnosti, napájací kábel musí vymeniť autorizovaný servisný technik spoločnosti Hoover.

Zástrčku nevyťahujte ťahaním za napájací kábel.

Napájací kábel položte tak, aby naň nikto nestúpil ani oň zakopol.

Vždy pred presunom alebo čistením spotrebiča alebo jeho akoukoľvek údržbou spotrebič vypnite a odpojte od zásuvky.

Tento spotrebič môžu používať deti staršie ako 8 rokov. Osoby s obmedzenými fyzickými, zmyslovými alebo duševnými schopnosťami, alebo nedostatočnými skúsenosťami a znalosťami môžu spotrebič používať vtedy, ak sú pod dohľadom alebo im boli dané pokyny týkajúce sa bezpečného použitia spotrebiča a rozumejú možným rizikám. Deti sa so spotrebičom nesmú hrať.

Čistenie a údržbu nesmú vykonávať deti bez dozoru.

Spotrebič neodstraňuje oxid uhoľnatý (CO) ani radón (Rn). V prípade nehôd so spaľovacími procesmi a nebezpečnými chemikáliami sa nemôže ako použiť bezpečnostné zariadenie.

Ak sa zdá, že je prístroj chybný, nepoužívajte ho.

Neblokujte prívod ani odvod vzduchu.

Nevkladajte prsty alebo predmety do odvodu vzduchu ani do prívodu vzduchu, aby ste predišli poraneniu alebo nefunkčnosti spotrebiča.

Spotrebič nečistite vodou, inými tekutinami alebo (horľavými) čistiacimi prostriedkami, ani nedovoľte, aby vnikli do spotrebiča. Predídete tak úrazu elektrickým prúdom a/alebo riziku požiaru.

Okolo spotrebiča nestriekajte žiadne horľavé materiály, ako sú insekticídy alebo vonné látky.

Tento spotrebič nenahrádza riadnu ventiláciu, pravidelné vysávanie, ani použitie odsávača alebo ventilátora počas varenia.

Používajte iba spotrebný materiál, filtre alebo náhradné diely odporúčané alebo dodávané spoločnosťou HOOVER.

Pred zapnutím spotrebiča sa uistite, že je filter správne nainštalovaný.

Vyvarujte sa nárazom tvrdých predmetov na spotrebič (najmä na prívod a odvod vzduchu).

Výrobok udržiavajte v suchu.

Počas prevádzky nikdy výrobok nenakláňajte ani nevypúšťajte.

Ak sa zariadenie dlhšiu dobu nepoužíva, na filtroch môžu rásť baktérie. Po dlhom období nepoužívania skontrolujte filtre. Ak sú filtre veľmi znečistené, vymeňte ich.

Pre zaistenie dlhého, bezpečného a účinného fungovania tohto spotrebiča odporúčame, aby všetky servisné úkony alebo opravy vykonával len autorizovaný servisný technik spoločnosti HOOVER.

**PROSTREDIE POUŽITIA**

Výrobok umiestňujte a používajte iba na suchom, stabilnom a vodorovnom povrchu tak, aby sa zabránilo jeho prevráteniu.

Za spotrebičom a na oboch stranách spotrebiča nechajte aspoň 20 cm voľného miesta a nad spotrebičom nechajte najmenej 30 cm voľného miesta.

Aby ste predišli rušeniu, umiestnite spotrebič aspoň 2 m od elektrických spotrebičov, ktoré používajú rádiové vlny, ako sú televízory, rádiá a rádiom ovládané hodiny.

Na spotrebič nič nekladte.

Nepoužívajte tento spotrebič, ak ste použili dymové repelenty proti hmyzu určené na interiérové použitie alebo na miestach, kde sú zvyšky olejov, horiace vonné tyčinky alebo chemické výpary.

Spotrebič neumiestňujte na žiadne z týchto miest:

- Na horúce povrchy, do blízkosti horúcich povrchov, otvoreného ohňa alebo na priame slnečné svetlo, do blízkosti plynových spotrebičov, vykurovacích zariadení alebo krbov;
- Vedľa alebo priamo nad kúrenia alebo vetracie otvory klimatizácie, dvere, okná, ventilátory, sporáky alebo kdekoľvek, kde by mohol mať prievan vplyv na spotrebič;
- Do kúpeľne alebo na iné miesta, kde môže byť spotrebič vystavený striekajúcej, kvapkajúcej alebo kondenzovanej vode (napr. priamo pod klimatizáciu alebo nad rýchlovarnú kanvicu);
- Do uzavretého priestoru (napr. do skrine alebo pod ňou);
- Do oblasti, kde by teplota mohla klesnúť pod  $-20^{\circ}\text{C}$  alebo vystúpiť nad  $50^{\circ}\text{C}$ ;
- Do miestnosti s veľkými zmenami teploty, do vlhkého prostredia alebo do prostredia s vysokými teplotami alebo vysokou vlhkosťou, ako je kúpeľňa, toaleta alebo kuchyňa;
- Tam, kde by sa mohlo zablokovať, napr. záclonami alebo nábytkom;
- Tam, kde by senzor mohol byť blokovaný nečistotami alebo prachom.

### BEZPEČNOSTNÉ POKYNY PRE MONITOR CO

Ak sa aktivuje alarm CO, je potrebné otvoriť všetky okná a dvere (ak je to bezpečné). Ak je to možné, vypnite všetky spotrebiče na spaľovanie paliva a evakuujte budovu tak, že necháte otvorené okná a dvere. Okamžite zabezpečte lekársku pomoc pre každú osobu, ktorá vykazuje príznaky otravy oxidom uhoľnatým. Do budovy nevstupujte, dokým alarm nestíchne. Alarm sa vypne po odstránení CO. Spotrebiče na spaľovanie paliva znova nepoužívajte, dokým nebude lokalizovaný zdroj CO a kvalifikovaný technik nevykoná nápravu.

V blízkosti spotrebiča nepoužívajte farby, riedidlá, výpary rozpúšťadiel, osviežovače vzduchu, aerosólové spreje alebo chemické čistiace prostriedky. Môže to ovplyvniť fungovanie monitora CO.

Pre aktiváciu monitora CO pripojte zástrčku do zásuvky. Kontrolka CO Alert bude svietiť zeleným svetlom. Keď monitor CO zistí nebezpečnú hladinu CO, hlasno zaznie Alarm CO a tlačidlo alarmu (CO ALERT) a LED indikátor kvality vzduchu budú blikať červeným svetlom. Alarm bude znieť, dokým zistený CO neklesne na bezpečnú úroveň.

Stlačte tlačidlo Alarmu CO [CO Alert] na 3 sekundy, aby ste otestovali jeho funkciu, alarm bude znieť po dobu 5 sekúnd. Alarm otestujte každý mesiac a po dlhšej neprítomnosti v budove (napr. prázdniny). Ak po 3 sekundách stlačenia tlačidla [CO Alert] nezaznie alarm, kontaktujte stredisko starostlivosti o zákazníkov spoločnosti Hoover a požiadajte o opravu poruchy kvalifikovaným technikom.

Ak displej ukazuje, že senzor CO je chybný alebo dosiahol koniec životnosti, obráťte sa na zákaznícke centrum spoločnosti Hoover a požiadajte o kvalifikovaného technika na výmenu senzora CO. Očakávaná životnosť senzora CO je 7 rokov a po uplynutí tejto doby je nutné ho vymeniť.

Nedovoľte malým deťom stlačiť tlačidlo CO Alert na 3 sekundy, pretože pri spustení alarmu môžu byť vystavené nadmernému hluku.

Prevádzková vlhkosť: 15 – 90% RH

Prevádzková teplota: od  $0^{\circ}\text{C}$  do  $+40^{\circ}\text{C}$

Oxid uhoľnatý ovplyvňuje telo zabránením prívodu kyslíka do kritických orgánov (dusenie). CO sa pri vdychovaní viaže na hemoglobín v krvi, ktorý normálne privádza kyslík do celého tela. CO natrvalo zmení schopnosť kyslíkových molekúl viazať sa na hemoglobín, čím sa znižuje objem kyslíka dostupného pre životne dôležité orgány. Účinky CO na organizmus sa môžu líšiť v závislosti od úrovne koncentrácie a doby vystavenia, ale odborníci sa zhodujú na tom, že aj nízka úroveň vystavenia oxidu uhoľnatému počas dlhého obdobia môže mať vážne a trvalé účinky na celkové zdravie človeka.

**UPOZORNENIE: ALARM CO JE URČENÝ NA OCHRANU JEDNOTLIVCOV PRED AKÚTNÝMI ÚČINKAMI EXPOZÍCIE OXIDU UHOĽNATÉHO ALEBO ZABRÁNENIE CHRONICKÝM ÚČINKOM EXPOZÍCIE OXIDU UHOĽNATÉHO. NEBUDE PLNE CHRÁNIŤ JEDNOTLIVCOV SO ŠPECIFICKÝMI ZDRAVOTNÝMI ŤAŽKOSŤAMI. V PRÍPADE POCHYBNOSTÍ SA OBRÁŤTE NA LEKÁRA.**

Funkcia CO Monitor nie je určená na použitie ani sa o nej nemá predpokladať použitie ako náhrady za EN 50291-1, UL-2034, CSA-6.19 alebo akýkoľvek iný uznaný štandardný certifikovaný alarm oxidu uhoľnatého, ak miestne alebo regionálne nariadenia alebo právne predpisy vyžadujú jeho použitie. Funkcia Monitor CO je iba doplnkové zariadenie na monitorovanie oxidu uhoľnatého. Použitie tohto zariadenia závisí od uváženia používateľa a predpokladá sa pri ňom porozumenie a prijatie jeho obmedzení týkajúcich sa dodržania príslušných zákonov alebo právnych predpisov.

Tento spotrebič sa nesmie používať ako náhrada za správnu inštaláciu, používanie a údržbu spotrebičov na spaľovanie paliva vrátane vhodných vetracích a odsávacích systémov.

Upozornenia monitora CO na mobilných telefónoch a tabletoch si vyžadujú funkčné pripojenie Wi-Fi. Nie sú náhradou za núdzové monitorovanie treťou stranou.

## BEZPEČNOSTNÉ POKYNY PRE DIFUZÉR

Používajte iba aromatický olej odporúčaný alebo dodávaný spoločnosťou HOOVER.

Ak používate funkciu difuzéra H-Essence, nepoužívajte vedľa čističky vzduchu samostatný zvlhčovač vzduchu.

Rozliatu esenciu H-Essence ihneď utrite. Uistite sa, že ste vyčistili všetky rohy výrobku, ktoré boli v kontakte s H-Essence.

### Prostredie

Tento spotrebič je označený podľa Európskej smernice 2012/19/EU o odpade z elektrických a elektronických zariadení (WEEE). Zabezpečením správnej likvidácie tohto spotrebiča pomôžete zabrániť možným negatívnym následkom na životnom prostredí a ľudskom zdraví, ktoré by mohli byť spôsobené nesprávnym zaobchádzaním s týmto výrobkom.

Tento symbol na spotrebiči informuje, že s týmto spotrebičom sa nesmie zaobchádzať ako s domovým odpadom. Je potrebné ho odovzdať na príslušnom zbernom mieste na recykláciu elektrických a elektronických zariadení. Likvidácia musí byť vykonaná v súlade s miestnymi predpismi pre likvidáciu odpadu. Pre podrobnejšie informácie o nakladaní so spotrebičom, jeho obnove a recyklácii sa obráťte na váš obecný úrad, odpadkovú službu pre domácnosti a alebo obchod, kde ste spotrebič zakúpili.



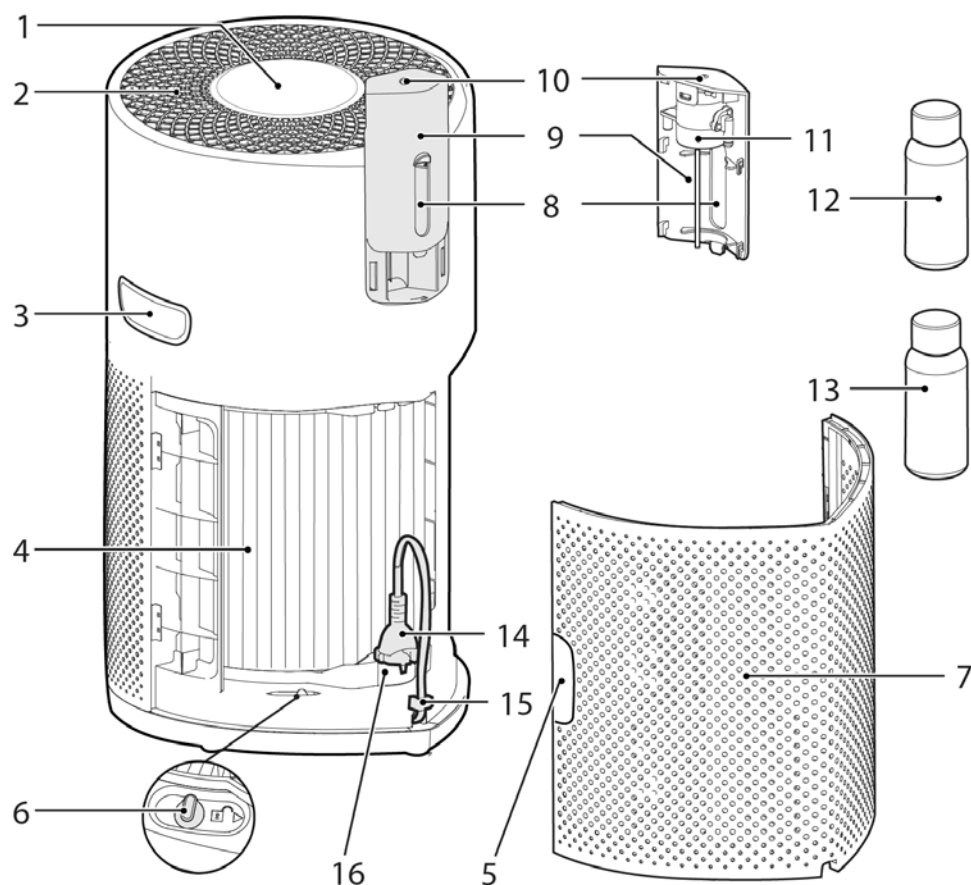
### Parametre bezdrôtového pripojenia pre spárovanie

Technológia	Wi-Fi	Bluetooth
Štandard	IEEE 802.11 b/g/n	Bluetooth v4.2,BLE
Frekvenčné pásmo/pásma (MHz)	2401-2483	2402-2480
Maximálny výkon (mW)	100	10
Maximálny rádiový výkon prenášaný vo frekvenčnom pásme	18.9 dBm	

Týmto spoločnosť Candy Hoover Group Srl vyhlasuje, že rádiové zariadenie je v súlade so smernicou 2014/53/EÚ. Plné znenie EU vyhlásenia o zhode je k dispozícii na tejto internetovej adrese: [www.candy-group.com](http://www.candy-group.com)

CANDY HOOVER GROUP S.r.l. Via Privata Eden Fumagalli, 20861 Brugherio (MB) Italy

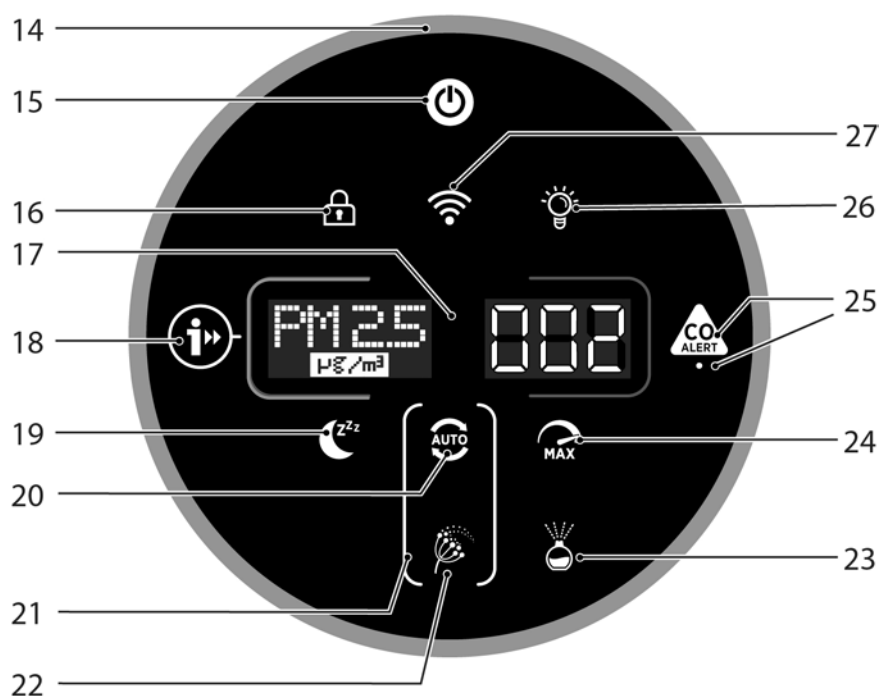
## 1. POZNAJTE SVOJ H-PURIFIER



1	Ovládací panel / Displej
2	Odvod vzduchu
3	Držadlo na prenášanie výrobku
4	Zostava filtra
5	Držadlo krytu prívodu vzduchu
6	Spínač pre uvoľnenie filtra

7	Kryt prívodu vzduchu
8	Okienko difuzéra
9	Kryt difuzéra
10	Výstup difuzéra
11	Jednotka difuzéra

12	Fľaštička H-Essence
13	Fľaštička H-Biotics
14	Napájací kábel a zástrčka
15	Úložný háčik
16	Poloha počas prepravy



14	LED indikátor kvality vzduchu
15	Tlačidlo Zapnutia / Vypnutia
16	Tlačidlo detskej poistky
17	Digitálny displej
18	Tlačidlo Informácie
19	Tlačidlo Režim spánku
20	Tlačidlo Automatický režim
21	Kruhovú kontrolku na peľovú alergiu
22	Kontrolka úrovne peľov
23	Tlačidlo Difuzéra
24	Tlačidlo Maximálny režim
25	Tlačidlo a LED kontrolka Alarmu CO
26	Tlačidlo Ovládania osvetlenia
27	Tlačidlo Wi-Fi

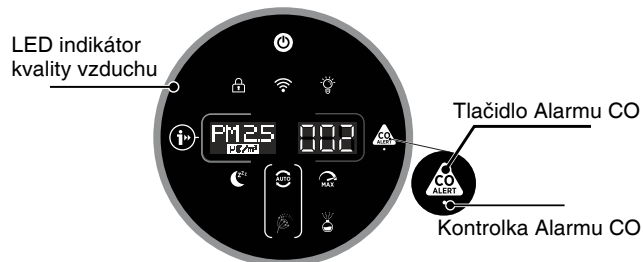


## 1.1 MULTISENZOROVÝ SYSTÉM

Vďaka multisenzorovému systému bude váš výrobok nepretržite monitorovať stav vzduchu vo vnútri miestnosti v jednotkách PM 10, PM 2,5 a prchavé organické látky (PLYN).

Zakaždým, keď výrobok zapnete, multisenzorový systém začne analyzovať kvalitu vzduchu vo vnútri miestnosti LED indikátor kvality vzduchu sa rozsvieti rôznymi farbami, ktoré predstavujú stav kvality vzduchu v reálnom čase.

Farba LED indikátora kvality vzduchu	Kvalita vnútorného vzduchu	Hodnota PM 10* $\mu\text{g}/\text{m}^3$	Hodnota PM 2,5 $\mu\text{g}/\text{m}^3$	Úroveň plyných prchavých organických látok
ZELENÁ	Vynikajúca	0-50	0-25	L1
ŽLTÁ	Uspokojivá	50-80	25-50	L2
ORANŽOVÁ	Nízka	80-160	50-100	L3
ČERVENÁ	Veľmi zlá	$\geq 160$	$\geq 100$	L4



\* V režime pre alergikov sa hodnoty PM 10, ktoré sú podstatné pre úroveň kvality ovzdušia, znížia, aby sa minimalizovalo riziko pre alergikov.

## 1.2 VÝSTRAHA PRED OXIDOM UHOĽNATÝM (CO)

H-Purifier je vybavený výstražným systémom, ktorý bude neustále monitorovať vzduch vnútri miestnosti z hľadiska prítomnosti oxidu uhoľnatého (CO). Keď sa aktivuje alarm oxidu uhoľnatého, LED indikátor kvality vzduchu, tlačidlo Informácie a tlačidlo Alarm CO (CO ALERT) súčasne blikajú na červeno a zaznie zvukový signál. Alarm zostane aktívny, kým sa koncentrácia oxidu uhoľnatého (CO) nezníži pod 50 ppm, pokiaľ nie je manuálne vypnutý stlačením tlačidla CO Alert na 3 sekundy.

Kontrolka CO Alert zobrazuje prevádzkový stav senzora CO. Zelenej farby je vtedy, keď je senzor CO v normálnom stave, žltej farby vtedy, keď snímač nefunguje správne alebo prekročí svoju životnosť, a červenou farbou vtedy, keď je aktivovaná výstraha pred CO.

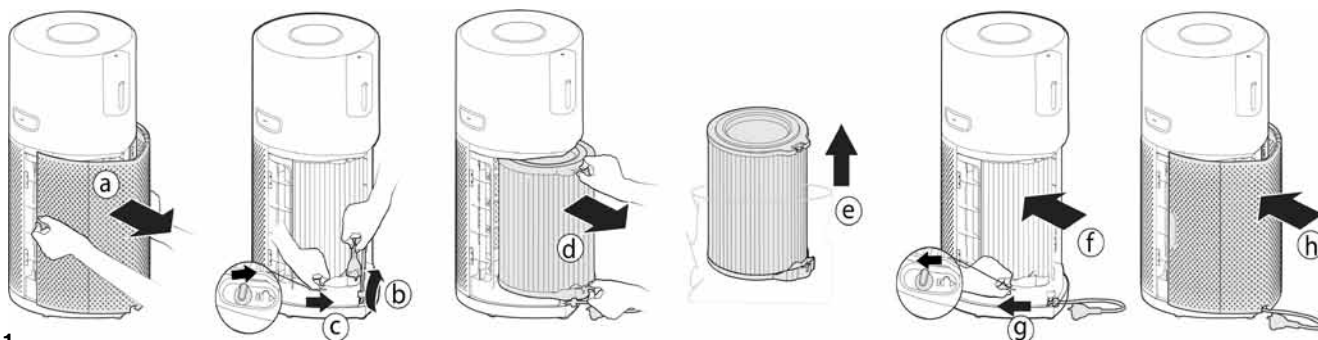
Správnou činnosť alarmu môžete vyskúšať tak, že na 3 sekundy stlačíte tlačidlo CO Alert. Ak alarm funguje správne, po dobu 5 sekúnd bude znieť hlasná zvuková signalizácia.

## 2. PRÍPRAVA VÁŠHO H-PURIFIERU

### 2.1 INŠTALÁCIA FILTRA [Obr. 1]

Pred použitím vášho H-Purifieru bude potrebné vybrať filter z jeho ochranného obalu:

- Z výrobku odstráňte kryt prívodu vzduchu, uchopte dve držadlá krytu prívodu vzduchu a potiahnite od výrobku. [Obr. 1a]
- Vytiahnite zástrčku z polohy počas prepravy a uvoľnite kábel z úložného háčika. [Obr. 1b]
- Odblokujte tlačidlo na uvoľnenie filtra. [Obr. 1c]
- Vyberte filter z výrobku a odstráňte vonkajší obal. [Obr. 1d,e]
- Znovu vložte filter do výrobku. [Obr. 1f]
- Zablokujte istič na uvoľnenie filtra. [Obr. 1g]
- Znovu umiestnite kryt prívodu vzduchu na výrobok. [Obr. 1h]

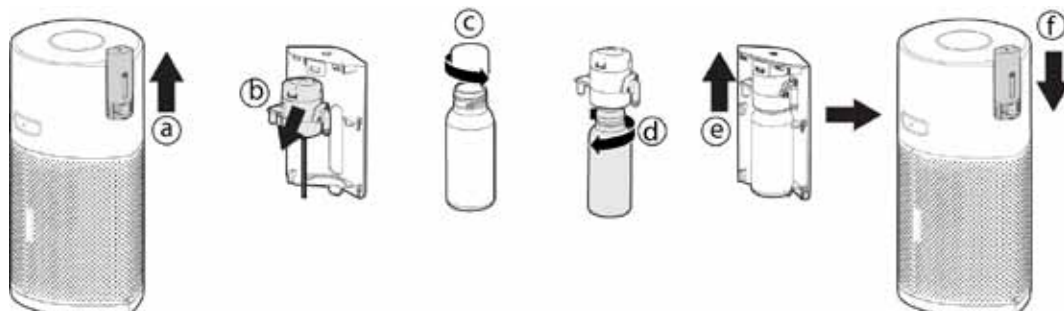


Obr. 1

### 2.2 UMIESTNENIE FĽAŠTIČKY DIFUZÉRA [Obr. 2]

Príprava H-Purifier čističky vzduchu k funkcii difuzéra:

- Odstráňte kryt difuzéra z výrobku. [Obr. 2a]
- Vyberte jednotku difuzéra z krytu difuzéra. [Obr. 2b]
- Vyberte fľaštičku H-Essence alebo H-Biotics z obalu a odstráňte uzáver. [Obr. 2c]
- Uzáver si uschovajte pre budúce použitie počas uskladnenia.
- Fľaštičku pevne priskrutkujte k jednotke difuzéra. [Obr. 2d]
- Vráťte jednotku difuzéra do krytu difuzéra. [Obr. 2e]
- Nasadte späť kryt difuzéra do vašej čističky vzduchu. [Obr. 2f]



Obr. 2

### 3. POUŽÍVANIE VÁŠHO H-PURIFIERU

#### 3.1 ZAPNUTIE VÝROBKU [Obr. 4]:

Vytiahnite napájací kábel z navijáča kábla a zapojte ho do zásuvky.

Všetky kontrolky na Ovládacom paneli / Displeji sa úplne rozsvietia približne na 1 sekundu, aby signalizovali úspešné zapojenie.

Tlačidlo Zapnutia / Vypnutia bude slabosvietiť a LED kontrolka Alarmu CO (CO ALERT) bude svietiť, čo znamená, že príslušný senzor začal pracovať na monitorovaní úrovne oxidu uhoľnatého vnútri miestnosti.

Na zapnutie výrobku stlačte tlačidlo ZAPNUTIA/VYPNUTIA na displeji.

LED indikátor kvality vzduchu bude postupne svietiť všetkými farbami, zatiaľ čo senzory budú analyzovať stav vzduchu v reálnom čase. Po niekoľkých sekundách LED indikátor kvality vzduchu vyberie príslušnú farbu pre kvalitu vzduchu v danom čase. H-Purifier okamžite prejde do AUTOMATICKÉHO REŽIMU a začne čistiť vzduch v interiéri. Na displeji sa rozsvietia tlačidlá AUTOMATICKÝ REŽIM, INFORMÁCIE, OVLÁDANIE SVETLÁ a informácie PM 10.

#### 3.2 PRIPOJTE SVOJ H-PURIFIER:

Pre prístup ku všetkým funkciám H-Purifieru odkiaľkoľvek odporúčame stiahnuť aplikáciu hOn. Svoj výrobok budete môcť ovládať čo najefektívnejšie.

##### Pokyny:

1. Stiahnite si aplikáciu hOn z Apple App Store, Google Play alebo Huawei App Gallery. Môžete si ju tiež stiahnuť naskenovaním QR kódu na [obr. 5]
2. Otvorte aplikáciu a vytvorte si účet pomocou e-mailu a hesla.
3. Potvrďte a prihláste sa do aplikácie hOn.
4. Skontrolujte, či je vaše mobilné zariadenie pripojené k Wi-Fi.
5. Uistite sa, že je váš H-Purifier zapnutý. Stlačte a podržte tlačidlo Wi-Fi na displeji po dobu 5 sekúnd, ozve sa zvukový signál a tlačidlo Wi-Fi začne blikať, čím signalizuje, že čaká na pripojenie. [Obr. 6]
6. Podľa pokynov v aplikácii pripojte mobilné zariadenia k vášmu produktu.
7. Po úspešnom spárovaní zostane tlačidlo Wi-Fi na výrobku svietiť.
8. Ak chcete resetovať Wi-Fi, stlačte a podržte tlačidlo Wi-Fi po dobu 5 sekúnd.

Čistička vzduchu H-Purifier funguje aj s hlasovými asistentmi Hey Google a Amazon Alexa.

#### 3.3 OBJAVTE VŠETKY FUNKCIE

##### Funkcia INFORMÁCIE [Obr. 7]:

K dispozícii je 6 rôznych hodnôt k monitoringu:

PM 10, PM 2.5, PLYN (GAS), Teplota (TEMP), Vlhkosť (HUMIDITY) a Stav filtra (FILTER LIFE).

Ak chcete sledovať jednotlivé hodnoty, tlačte postupne po sebe tlačidlo INFORMÁCIE, tým listujete v ponuke. V predvolenom nastavení sa na displeji zobrazí údaje PM 10, produkt si zapamätá poslednú voľbu užívateľa a zachová túto voľbu pri nasledujúcom spustení produktu.

Dáta PLYN (GAS) zobrazí počas prvých 3 minút po zapnutí výrobku otáčajúce sa kurzor počas toho, ako senzor PLYNU vykonáva kalibračný cyklus.

##### Viac informácií o PM 2,5, PM 10 a PLYN (GAS):

PM označuje jemné častice (pre ľudské oko neviditeľné) pochádzajúce hlavne zo znečistenia vo vonkajšom prostredí, ako sú emisie vozidiel a priemyselné emisie, ktoré sú v prípade dlhodobej expozície potenciálne nebezpečné pre zdravie.

Častice PM 10 majú veľkosť do 10  $\mu\text{m}$  a sú schopné preniknúť do horných dýchacích ciest (nos, priehradnica, hltan).

Častice PM 2,5 majú veľkosť do 2,5  $\mu\text{m}$  a vzhľadom na svoj malý rozmer sa môžu dostať do pľúc a preniknúť tak hlbšie do tela.

PLYNNÉ VOC (prchavé organické zlúčeniny) sú prchavé chemické zlúčeniny so schopnosťou ľahkého odparovania do vzduchu pri izbovej teplote. Deodoranty, čistiace prostriedky, lepidlá, spojivá, kozmetika, formaldehyd sú len niektoré z VOC, ktoré sa môžu vyskytovať v domácnostiach, ale pri dlhodobom pôsobení môžu byť zdraviu škodlivé.

##### Funkcie REŽMOV:

K dispozícii sú 3 režimy čistenia vzduchu: AUTOMATICKÝ REŽIM, MAXIMÁLNY REŽIM A REŽIM SPÁNKU. Predvolené nastavenie pre váš výrobok pri zapnutí je automatický režim. Všetky režimy je možné zvoliť ručne stlačením príslušného tlačidla na displeji.

REŽIM PRE ALERGIKOV sa dá aktivovať iba pomocou aplikácie hOn.

##### AUTOMATICKÝ REŽIM [Obr. 8]:

Je to predvolený režim vášho H-Purifieru pri prvom zapnutí. V automatickom režime čistička vzduchu H-Purifier automaticky upravuje rýchlosť ventilátora podľa skutočnej úrovne kvality vzduchu v interiéri. Tým vždy zaručí optimálne čistenie vzduchu.

Je to odporúčané nastavenie pre váš výrobok.

V automatickom režime po 30 minútach vynikajúcej kvality vzduchu prejde váš výrobok do režimu **ECO** (pohotovostná funkcia) a pozastaví sa funkcie čistenia (ventilátor). Multisenzorový monitorovací systém bude pokračovať v analýze vzduchu vnútri miestnosti a v prípade potreby automaticky zapne funkciu čistenia.



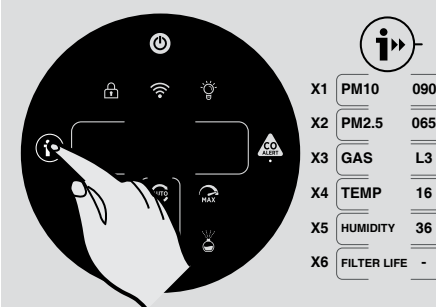
Obr. 4



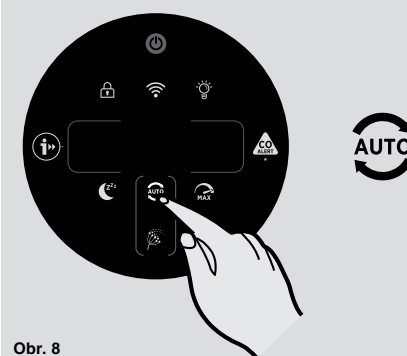
Obr. 5



Obr. 6



Obr. 7



Obr. 8

**MAXIMÁLNY REŽIM [Obr. 9]:**

Stlačením tlačidla maximálneho režimu MAX na displeji aktivujete čistenie vzduchu pri maximálnom nastavení výkonu. Ak chcete ukončiť MAXIMÁLNY režim, jednoducho vyberte režim AUTOMATICKÝ alebo režim SPÁNKU.

**REŽIM SPÁNKU [Obr. 10]:**

Stlačením tlačidla režimu SPÁNKU aktivujete čistenie vzduchu pri najnižšom tichom výkone. Tlačidlo režimu SPÁNKU bude slabo svietiť a všetky ostatné kontrolky na displeji zhasnú. To môžete upraviť stlačením ovládacieho tlačidla SVETLA.

**REŽIM PRE ALERGIKOV: [Obr. 11]**

REŽIM PRE ALERGIKOV sa dá aktivovať iba pomocou aplikácie hOn. Najprv bude potrebné aktivovať a zaregistrovať profil v aplikácii a vytvoriť svoj alergický profil.

Režim pre alergikov funguje iba vtedy, keď je vybraná možnosť AUTOMATICKÝ REŽIM. [Obr. 11c] V režime pre alergikov spotrebič nepretržite v reálnom čase prijíma z aplikácie údaje o monitorovanej koncentrácii peľu vonku a automaticky pracuje na maximalizácii výkonu pri zachytávaní peľu.

Po zachytení peľov sa peľe deaktivujú, aby sa tak mohli zmierniť alergické príznaky.

Ak je v aplikácii aktivovaný režim pre alergikov, môžu sa na displeji produktu zobraziť 2 možné kontrolky upozornenia:

- Kontrolka úrovne peľov je **BIELA** [Obr. 11a]: Čistička vzduchu a aplikácie monitorujú prítomnosť peľu vonku a nehrozí žiadne riziko.

- Kontrolka úrovne peľov sa zmení na **ŽLTÚ** a Kruhová kontrolka peľovej alergie sa sfarbí **BIELE** [Obr. 11b]: Prístrojom a aplikáciou bolo detekované riziko.

Ak je výrobok ručne prepnutý do režimu SPÁNKU alebo režimu MAX, zatiaľ čo je aktívny režim pre alergikov, režim pre alergikov sa zastaví.

**Funkcia OVLÁDANIE OSVETLENIA: [Obr. 12]**

K dispozícii sú 3 nastavenia pre osvetlenie displeja: On (zapnuté), Dim (tímené) a Off (vypnuté).

Pre úpravu jasnosti osvetlenia displeja jednoducho stlačte tlačidlo ovládanie SVETLA na displeji a prechádzajte 3 dostupnými možnosťami. Predvolené nastavenie je ON (zapnuté).

Ak je zvolená možnosť OFF (vypnuté), bude nutné stlačiť akékoľvek iné tlačidlo dvakrát, aby sa aktivovalo. Po jednom stlačení sa svetla zmení na DIM (tímené), pri druhom stlačení sa funkcia aktivuje.

**Funkcia DETSKÁ POISTKA: [Obr. 13]**

Aktivujete ju stlačením a podržaním tlačidla DETSKÁ POISTKA na 3 sekundy. Po aktivácii zaznie zvukový signál a tlačidlo DETSKÁ POISTKA zostane svietiť. Po aktivácii nebudú fungovať žiadne iné tlačidlá.

Na ukončenie funkcie jednoducho stlačte a podržte tlačidlo DETSKÁ POISTKA na 3 sekundy. Zaznie zvukový signál, ktorý potvrdí, že je funkcia vypnutá a tlačidlo už nebude svietiť.

**Funkcia DIFUZÉR: [Obr. 14]**

Difuzér šíri do vzduchu v miestnosti prípravky H-Essence alebo H-Biotics. H-Essence je kolekcia éterických olejov od spoločnosti Hoover, ktorá uvoľňuje do vzduchu príjemné vône.

H-Biotics je prírodná zmes založená na probiotikách, ktorá udržuje biologicky čistú miestnosť tým, že zabraňuje rastu mikroorganizmov, ako sú baktérie alebo mikróby.

Pre funkciu DIFUZÉR sú k dispozícii 4 rôzne nastavenia: SLABÉ (SOFT) (SLABÉ), STREDNÉ (MEDIUM) (STREDNÉ), VLASTNÉ (CUSTOM) (VLASTNÉ) a H-BIOTICS. Pre aktiváciu tejto funkcie jednoducho stlačte tlačidlo Difuzér na displeji. Predvolené nastavenie pre túto funkciu je SOFT (SLABÉ), ktorékoľvek iné nastavenie jednoducho vyberiete stlačením tlačidla, aby ste prešli na požadovaný výber. Po zapnutí sa tlačidlo rozsvieti na bielo.

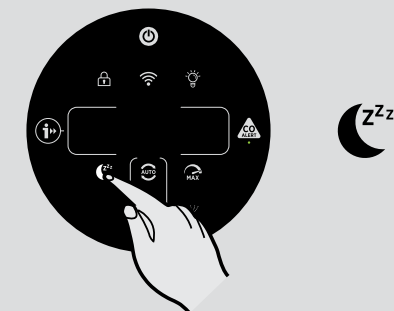
Pre H-Essence odporúčame používať nastavenia SLABÉ (SOFT) (SLABÉ) a STREDNÉ (MEDIUM) (STREDNÉ).

VLASTNÉ nastavenie je možné vytvoriť iba v aplikácii hOn.

Pri použití H-Biotics **MUSÍ** byť nastavenie prepnuté na H-Biotics. Keď používateľ pomocou aplikácie aktivuje H-Biotics, po 120 hodinách sa zobrazí upozornenie „ACTIVATE H-BIOTICS“ (AKTIVOVAŤ H-BIOTICS), aby sa zabezpečilo používanie H-biotics každých 5 dní.



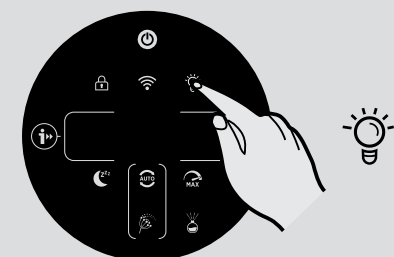
Obr. 9



Obr. 10



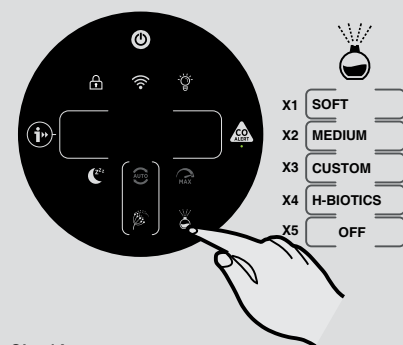
Obr. 11



Obr. 12



Obr. 13



Obr. 14

V určitých podmienkach alebo prostredí pri použití H-Essence sa môže hladina PLYNNÝCH PRCHAVÝCH LÁTKOK VOC zmeniť v dôsledku detekcie vonných látok. Funkcia difuzéra funguje len vtedy, ak LED indikátor kvality vzduchu svieti zelenou farbou. Ak LED indikátor kvality vzduchu nesvieti zelene, funkcia sa pozastaví a bude pokračovať v činnosti, kým sa oblasť opäť nezmení na zelenú. Funkcia difuzéra sa dá použiť iba v režimoch AUTOMATICKÝ a MAXIMÁLNY a nedá sa použiť v režime SPÁNKU. Keď aktivujete funkciu Difuzéra v AUTOMATICKOM režime, hlavný ventilátor bude pracovať pri špecifickej rýchlosti, aby pomohol šíriť H-Essence alebo H-Biotics do miestnosti.

Nastavenie	Časovanie rozprašovača	Maximálne trvanie cyklu
SLABÉ (SOFT)	po dobu 10 sekúnd každých 5 minút	6 hodín
STREDNÉ (MEDIUM)	po dobu 90 sekúnd každých 3,5 minút	6 hodín
VLASTNÉ (CUSTOM)	Definované používateľom	6 hodín
H-BIOTICS	po dobu 2 minúty každé 4 minúty	6 hodín

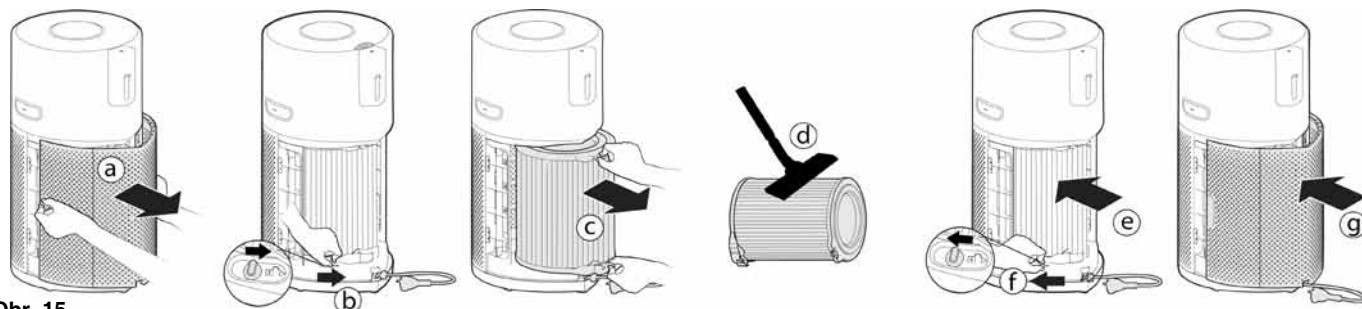
## 4. ÚDRŽBA VÁŠHO H-PURIFIERU

### 4.1 ÚDRŽBA FILTRA

Váš H-Purifier bude monitorovať stav filtra. Na ľavej strane displeja sa zobrazí upozornenie **CLEAN FILTER ALEBO REPLACE FILTER (VYMENIŤ FILTER) (VYČISTIŤ FILTER ALEBO VYMENIŤ FILTER)**, čo signalizuje, že je nutné vykonať čistenie alebo výmenu filtra.

#### Čistenie / Výmena filtra: [Obr. 15]

- Odstráňte kryt prívodu vzduchu z výrobku. [Obr. 15a]
- Odblokujte tlačidlo na uvoľnenie filtra. [Obr. 15b]
- Odstráňte filter z výrobku. [Obr. 15c]
- Pomocou vysávača vyčistite vonkajšiu vrstvu na filtri alebo filter vymeňte za nový. [Obr. 15d]
- Znovu vložte filter do výrobku. [Obr. 15e]
- Zablokujte istič na uvoľnenie filtra. [Obr. 15f]
- Znovu umiestnite kryt prívodu vzduchu na výrobok. [Obr. 15g]
- Pripojte spotrebič k zdroju napájania a zapnite ho.
- Na 3 sekundy stlačte tlačidlo INFORMÁCIE, aby ste zresetovali výstrahu Čistenie / Výmena. Ozve sa zvukový signál, ktorý indikuje úspešné resetovanie. [Obr. 7]



Obr. 15

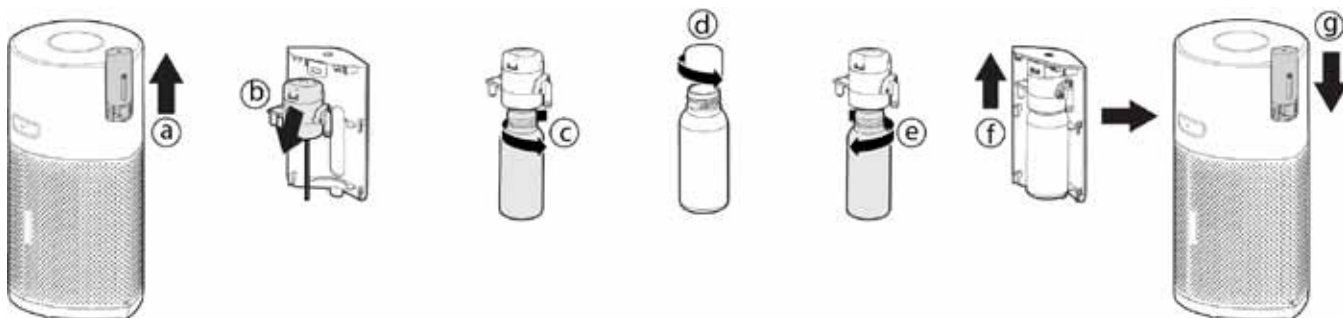
### 4.2 ÚDRŽBA DIFUZÉRA

Po každom použití funkcie Difuzéra použite suchú mäkkú handričku a vyčistite zvyšky z povrchu výrobku.

#### Výmena fľaštičky difuzéra: [Obr. 16]

Objem kvapaliny zostávajúcej vo fľaštičke sa dá skontrolovať cez okienko difuzéra. Fľaštičku vymieňajte podľa potreby.

- Odstráňte kryt difuzéra z výrobku. [Obr. 16a]
- Z krytu difuzéra vyberte jednotku difuzéra a fľaštičku. [Obr. 16b]
- Odskrutkujte a vyberte prázdnu fľaštičku. [Obr. 16c]
- Vyberte novú fľaštičku H-Essence alebo H-Biotics z obalu a odstráňte uzáver. [Obr. 16d]
- Novú fľaštičku pevne priskrutkujte k jednotke difuzéra. [Obr. 16e]
- Nainštalujte jednotku difuzéra späť do krytu difuzéra. [Obr. 16f]
- Vložte späť kryt difuzéra do H-Purifier čističky vzduchu. [Obr. 16g]

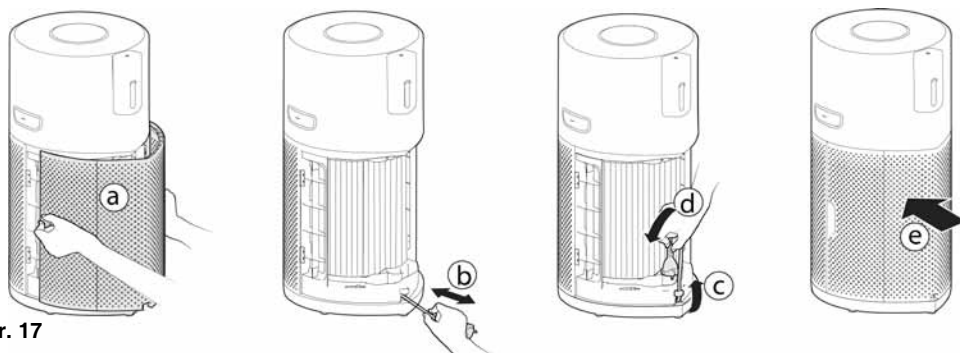


Obr. 16



## 5. SKLADOVANIE VÁŠHO H-PURIFIERU

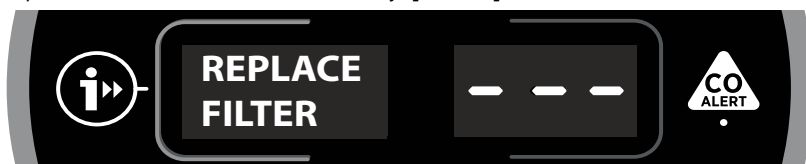
1. Vypnite H-Purifier a odpojte napájací kábel.
2. Vyčistite všetky vnútorné a vonkajšie povrchy H-Purifieru a vonkajšiu vrstvu filtra.
3. Vyberte fľaštičku z difuzéru Na fľaštičku nasadte originálny uzáver a uložte ju na miesto chránené pred priamym slnečným svetlom. Vyčistite povrchy jednotky a krytu difuzéra. Uistite sa, že sa na žiadnom povrchu H-Purifieru nenachádzajú zvyšky H-Essence alebo H-Biotics.
4. Skontrolujte, či sú všetky komponenty suché.
5. Odstráňte kryt prívodu vzduchu [obr. 17a], naviňte napájací kábel zatahnutím za kábel [obr. 17b], kábel umiestnite na úložný háčik a zástrčku zasunite do polohy počas prepravy. [Obr. 17c,d] Nasadte naspäť kryt prívodu vzduchu. [Obr. 17e]
6. H-Purifier skladujte na chladnom a suchom mieste.



Obr. 17

## 6. VÝSTRAHY A RIEŠENIA

Počas používania sa môžu zobraziť tieto kódy. [Obr. 18]



Obr. 18

Výstraha		Popis výstrahy	Riešenie
Výstraha na výrobku	Výstraha v aplikácii		
"CLEAN FILTER (VYČISTIŤ FILTER)"	Upozornenie na vyčistenie predfiltra	Odporúčanie vyčistiť vonkajšiu vrstvu filtra.	1. Vyčistite vonkajšiu vrstvu filtra. 2. Resetujte výstrahu podržaním tlačidla INFORMÁCIE na 3 sekundy. <b>Pozri 4.1 ÚDRŽBA FILTRA</b>
"REPLACE FILTER (VYMEŇIŤ FILTER)"	Upozornenie na výmenu filtra	Odporúčanie vymeniť filter.	1. Vymeňte filter. 2. Resetujte výstrahu podržaním tlačidla INFORMÁCIE na 3 sekundy. <b>Pozri 4.1 ÚDRŽBA FILTRA</b>
"FILTER MISSING (FILTER CHÝBA)"	Chyba: vyskytla sa chyba čističky vzduchu. Prosím, skontrolujte možné riešenia.	Filter nie je na svojom mieste alebo nie je správne zaistený.	1. Ak filter nie je založený, založte ho. 2. Ak je filter na svojom mieste, skontrolujte, či je istič filtra v polohe LOCK (zaistený). <b>Pozri 2.1 INŠTALÁCIA FILTRA</b>
"PM SENSOR ERROR (CHYBA SENZORU PM)"	/	Porucha senzora PM	Porucha senzora PM alebo vodič senzora nie je správne pripojený. Zavolajte servisné stredisko a požiadajte o opravu.
Kontrolka Alarmu CO Alert je žltá.	Chyba: vyskytla sa chyba čističky vzduchu. Prosím, skontrolujte možné riešenia.	Chybná funkcia senzora CO alebo senzor CO prekročil svoju životnosť.	Zavolajte servisné stredisko a požiadajte o opravu.
/	Chyba: vyskytla sa chyba čističky vzduchu. Prosím, skontrolujte možné riešenia.	Porucha motora	Porucha motora alebo vedenie motora nebolo správne pripojené, obráťte sa na servisné stredisko Hoover k oprave.
"TEMP. & HUMI. SENSOR ERROR (CHYBA SENZOROV TEPLOTY A VLHKOSTI)"	/	Porucha senzorov teploty a vlhkosti	Porucha senzora teploty a vlhkosti alebo vedenie senzora nie je správne pripojené. Kontaktujte servisné stredisko Hoover a požiadajte o opravu
"PAUSE (PAUZA)"	/	Prevádzka difuzéra sa pozastaví, keď LED indikátor kvality vzduchu nesvieti zelene.	Nemusíte robiť nič. Prevádzka difuzéra bude pokračovať, keď bude LED indikátor kvality vzduchu svietiť zelene.

**POZOR:** Ak niektorá z týchto porúch pretrváva, kontaktujte miestneho zástupcu spoločnosti Hoover. **NEPOKÚŠAJTE** sa H-Purifier čističku vzduchu rozoberať sami.

## 7. RIEŠENIE PROBLÉMOV

Nasleduje zoznam bežne sa vyskytujúcich problémov a riešení.

Ak niektorý z týchto problémov pretrváva, kontaktujte miestneho zástupcu spoločnosti Hoover.

Ventilátor nefunguje (Ovládací panel / Kontrolky displeja svietia)	<ul style="list-style-type: none"> <li>• Skontrolujte upozornenie zobrazené na displeji alebo v aplikácii. Ak sa nejaké zobrazuje, pozri časť <b>6. VÝSTRAHY A RIEŠENIA</b>.</li> <li>• Skontrolujte, či vo ventilátore nie sú nejaké prekážky. Ak sú nejaké prítomné, najskôr odpojte výrobok zo zásuvky a odstráňte ich, alebo zavolajte servisné stredisko a požiadajte o odstránenie.</li> <li>• Skontrolujte, či je H-Purifier zapnutý.</li> <li>• Skontrolujte, či je filter správne nainštalovaný a zaistený.</li> <li>• Skontrolujte, či je H-Purifier v úplne kolmej zvislej polohe a nie je naklonený.</li> <li>• H-Purifier môže byť v režime ECO. Režim ECO môžete opustiť stlačením tlačidla režimu spánku alebo tlačidla maximálneho režimu. Pozri <b>3. POUŽÍVANIE VÁŠHO H-PURIFIERU – AUTOMATICKÝ REŽIM</b>.</li> </ul>
Ventilátor nefunguje (Ovládací panel / Kontrolky displeja nesvietia)	<ul style="list-style-type: none"> <li>• Skontrolujte, či je H-Purifier zapojený do siete a zapnutý.</li> <li>• Skontrolujte upozornenie zobrazené v aplikácii. Ak sa nejaké zobrazuje, pozri časť <b>6. VÝSTRAHY A RIEŠENIA</b>.</li> </ul>
Nesvietia žiadne kontrolky na ovládacom paneli / Displej (Ventilátor pracuje)	<ul style="list-style-type: none"> <li>• V režime spánku je nastavenie osvetlenia predvolené na vypnuté. Môžete stlačiť tlačidlo ovládania osvetlenia, aby ste zapli osvetlenie.</li> <li>• Osvetlenie môže byť vypnuté. Stlačte tlačidlo ovládania osvetlenia, aby ste zapli osvetlenie. Pozri <b>3. POUŽÍVANIE VÁŠHO H-PURIFIERU – REŽIM SPÁNKU / Funkcia OVLÁDANIE OSVETLENIA</b>.</li> </ul>
Tlačidlá na ovládacom paneli nefungujú.	<ul style="list-style-type: none"> <li>• Môže byť aktivovaná detská poistka. Pridržením tlačidla CHILD LOCK (DETSKÁ POISTKA) na 3 sekundy toto nastavenie opustíte. Pozri <b>3. POUŽÍVANIE VÁŠHO H-PURIFIERU – Funkcia DETSKÁ POISTKA</b>.</li> </ul>
Prúd vzduchu je slabý	<ul style="list-style-type: none"> <li>• Skontrolujte, či bol z filtra odstránený ochranný obal.</li> <li>• Skontrolujte, či v kryte prívodu vzduchu alebo odvode vzduchu nie sú nejaké prekážky.</li> <li>• Odstráňte kryt prívodu vzduchu a skontrolujte stav filtra. Vyčistite vonkajšiu vrstvu filtra alebo v prípade potreby filter vymeňte. Stav životnosti filtra môžete skontrolovať na displeji stlačením tlačidla informácií.</li> <li>• Skontrolujte, či nie je H-Purifier v režime Spánku. V tomto režime ventilátor pracuje so zníženým výkonom.</li> </ul>
H-Purifier pracuje veľmi hlučne.	<ul style="list-style-type: none"> <li>• Skontrolujte, či v čističke vzduchu H-Purifier nie sú prekážky.</li> <li>• Skontrolujte, či H-Purifier beží v maximálnom režime. V tomto režime pracuje ventilátor na maximálny výkon.</li> </ul>
H-Purifier náhle pracuje nahlas.	<ul style="list-style-type: none"> <li>• Skontrolujte, či H-Purifier beží v automatickom režime a či LED indikátor kvality vzduchu nesvieti zeleno. V automatickom režime H-Purifier automaticky upravuje rýchlosť ventilátora na skutočnú úroveň kvality vzduchu v interiéri. Pozri <b>3. POUŽÍVANIE VÁŠHO H-PURIFIERU – AUTOMATICKÝ REŽIM</b>.</li> </ul>
H-Purifier náhle vydá hlasný zvukový signál.	<ul style="list-style-type: none"> <li>• Testovacia funkcia tlačidla Alarmu CO Alert je aktivovaná nesprávnou obsluhou. Zvuk automaticky prestane znieť po 5 sekundách. Pozri <b>1.2 VÝSTRAHA PRED OXIDOM UHOĽNATÝM (CO)</b></li> </ul>

## DÔLEŽITÉ INFORMÁCIE

### Náhradné diely a spotrebný materiál Hoover

Vždy nahrádzajte diely originálnymi náhradnými dielmi od spoločnosti Hoover. Získate ich u miestneho predajcu výrobkov Hoover alebo u servisných partnerov. Pri objednávaní náhradných dielov láskavo vždy uvádzajte číslo modelu.

### Kvalita

Kvalita v továrňach spoločnosti Hoover bola nezávisle posúdená. Naše výrobky sú vyrobené s využitím systému kvality, ktorý spĺňa požiadavky normy ISO 9001.

### Vaša záruka

Záručné podmienky pre tento spotrebič sú definované našim zástupcom v krajine, v ktorej sa predáva. Podrobnosti týkajúce sa týchto podmienok je možné získať u obchodníka, u ktorého bol spotrebič zakúpený. Pri reklamácií podľa týchto záručných podmienok je nutné predložiť doklad o kúpe alebo účtenku.

Právo zmeny bez predchádzajúceho upozornenia vyhradené.

**GENEL GÜVENLİK UYARILARI**

Bu cihaz, bu kullanıcı kılavuzunda açıklandığı gibi yalnızca özel ev tipi kullanım içindir. Lütfen cihazı çalıştırmadan önce bu kılavuzun tam olarak anlaşıldığından emin olun ve ileride başvurmak üzere saklayın.

Cihazı bağlamadan önce cihazın etiketinde belirtilen voltaj ve güç değerlerinin yerel güç voltajına uygun olup olmadığını kontrol edin.

Güç kablosu hasar görürse cihazı kullanmayı derhal bırakın. Güvenliğin riske atılmaması için, elektrik kablosu mutlaka yetkili HOOVER servis teknisyeni tarafından değiştirilmelidir.

Güç kablosunu çekerek fişi çıkarmayın.

Elektrik besleme kablosunu kimse üzerine basmayacak veya takılmayacak şekilde yerleştirin.

Cihazı hareket ettirmeden veya temizlemeden ya da herhangi bir bakım işlemi gerçekleştirilmeden önce her zaman cihazı kapatın ve prizden çekin.

Bu cihaz 8 yaş ve üzeri çocuklar ve yetersiz fiziksel, duyuşsal veya zihinsel kabiliyete sahip kişiler ya da deneyim ve bilgi yoksunu kişiler tarafından bir yetişkinin gözetiminde veya cihazın güvenli bir şekilde kullanımı ile ilgili talimatı ve bulunan tehlikelerin açıkça anlatılması ile kullanılabilir. Çocuklar cihaz ile oynamamalıdır.

Temizleme ve bakım işlemi denetimsiz şekilde çocuklar tarafından yapılmamalıdır.

Cihaz, karbonmonoksit (CO) veya radonu (Rn) ortadan kaldırmaz. Yanma prosesleri ve tehlikeli kimyasallar ile kaza olması durumunda bir güvenlik cihazı kullanılamaz.

Arızalı görünüyorsa cihazınızı kullanmaya devam etmeyin.

Hava girişini veya hava çıkışını engellemeyin.

Yaralanmaları veya cihazın arızalanmasını önlemek için hava çıkışına veya hava girişine parmaklarınızı veya nesnelere sokmayın.

Elektrik çarpmasını ve/veya yangın tehlikesini önlemek için cihazı su, başka bir sıvı veya (yanıcı) deterjan ile temizlemeyin veya bunların cihaza girmesine izin vermeyin.

Cihazın etrafında böcek ilacı veya parfüm gibi yanıcı maddeler püskürtmeyin.

Bu cihaz, uygun havalandırma, düzenli toz emme veya pişirme sırasında aspiratör veya fan kullanımını yerini tutmaz.

Yalnızca HOOVER tarafından önerilen veya sağlanan sarf malzemelerini, filtreleri ya da yedek parçaları kullanın.

Cihazı açmadan önce filtrenin uygun şekilde takıldığından emin olun.

Cihaza (özellikle hava girişi ve çıkışı) sert nesnelere vurmaktan kaçının.

Ürünü kuru tutun.

Çalışırken ürünü asla eğmeyin veya boşaltmayın.

Cihaz uzun süre kullanılmadığında, filtrelerde bakteri üreyebilir. Uzun süre kullanılmadığında filtreleri kontrol edin. Filtreler çok kirliyse, yenileriyle değiştirin.

Cihazın her zaman güvenli ve verimli bir şekilde kullanılabilmesi için, her türlü bakım veya onarım işinin sadece yetkili HOOVER servis teknisyenleri tarafından yapılmasını öneririz.

**KULLANIM ORTAMI**

Ürünü sadece kuru, sabit, düz yatay bir yüzeye yerleştirin ve kullanın, böylece devrilmesi engellenir.

Cihazın arkasında ve her iki tarafında en az 20 cm boş alan bırakın ve cihazın üzerinde en az 30 cm boş alan bırakın.

Paraziti önlemek için, cihazı TV, radyo ve uzaktan kontrollü saatler gibi hava kaynaklı radyo dalgaları kullanan elektrikli cihazlardan en az 2 m uzağa yerleştirin.

Cihazın üzerine hiçbir şey koymayın.

İç mekan duman tipi böcek savarlar kullandığınızda veya yağlı kalıntılar, yanan tütsü veya kimyasal duman bulunan yerlerde bu cihazı kullanmayın.

Cihazı, aşağıdaki konumlardan hiçbirine yerleştirmeyin:



- Sıcak yüzeylerin üzerinde, yakınında, açık alevde veya doğrudan güneş ışığında, gazlı cihazların, ısıtma cihazlarının veya şöminelerin yakınında;
- Isıtıcılar veya klima havalandırmalarının, kapıların, pencerelerin, aspiratörlerin, ocakların ya da hava akımının etkileyebileceği herhangi bir yerin yanında ya da doğrudan üzerinde;
- Bir banyoda ya da ürünün su sıçramasına, damlamasına veya yoğunlaşmasına maruz kalabileceği diğer alanlarda (ör. doğrudan bir klimanın altı veya elektrikli su ısıtıcının üstü);
- Kapalı bir alanda (örn. bir dolabın içinde veya altında);
- Sıcaklığın  $-20^{\circ}\text{C}$ 'nin altına düşebileceği veya  $50^{\circ}\text{C}$ 'nin üzerine çıkabileceği bir alanda;
- Banyo, tuvalet veya mutfak gibi yüksek sıcaklık değişikliklerinin gerçekleştiği, etrafının ıslak olduğu ya da etrafında yüksek ortam sıcaklığı ya da yüksek nem bulunduğu odalar;
- Örn. perde veya mobilya ile engellenebileceği yerlerde;
- Kir veya tozun sensörü engelleyebileceği yerlerde.

## CO MONİTÖRÜ GÜVENLİK TALİMATLARI

CO alarmı etkinse, tüm pencereleri ve kapıları açmalısınız (eğer güvenliyse). Mümkünse, tüm yakıtla çalışan cihazları kapatın ve ardından pencereleri ve kapıları açık bırakarak mülkü boşaltın. Karbonmonoksit zehirlenmesine maruz kalan herkes için derhal tıbbi yardım alın. Alarm durana kadar mülke tekrar girmeyin. CO temizlendikten sonra alarm duracaktır. CO kaynağı kalifiye bir teknisyen tarafından tespit edilip düzeltilinceye kadar yakıtla çalışan cihazları tekrar kullanmayın.

Cihazın yanında boya, tiner, solvent dumanı, oda parfümü, aerosol sprey veya kimyasal temizleyiciler kullanmaktan kaçınin. Bu, CO monitor'ün çalışmasını etkileyebilir.

CO monitor'ü etkinleştirmek için, fişi bir prize takın. CO Uyarı LED'i yeşil renkte yanacaktır. CO monitörü güvenli olmayan bir CO seviyesini algıladığında, alarm yüksek sesle çalacak ve CO Uyarı düğmesi ile Hava Kalitesi LED Halkası kırmızı renkte yanıp sönecektir. Alarm, algılanan CO güvenli bir seviyeye düşene kadar çalmaya devam edecektir.

CO Alarm işlevini test etmek için [CO Alert] düğmesine 3 saniye dokununuz; alarm, 5 saniye boyunca yüksek sesle çalacaktır. Alarmı ayda bir ve binada uzun süre bulunmama durumundan sonra (Örn. Tatiller) test edin. [CO Alert] düğmesine 3 saniye dokunduktan sonra alarm çalmazsa, hatayı onarmak üzere kalifiye bir teknisyen ayarlamak için lütfen Hoover müşteri hizmetleri merkezine başvurun.

Ekranda CO sensörünün arızalı olduğu ya da ömrünün sonuna ulaştığı görüntülenirse; CO sensörünü değiştirmek üzere bir vasıflı teknisyenin işlem yapması için lütfen Hoover müşteri merkezi ile iletişime geçin. CO sensörünün beklenen kullanım ömrü 7 yıldır ve bu süreden sonra yenisiyle değiştirilmelidir.

Küçük çocukların, alarm çaldığında aşırı gürültüye maruz kalabileceklerinden, CO Alert düğmesine 3 saniye basmasına izin vermeyin.

Çalışma Nemi: 15 – 90% RH

Çalışma Sıcaklığı:  $0^{\circ}\text{C}$  - +  $40^{\circ}\text{C}$

Karbonmonoksit, kritik organları oksijenden mahrum bırakarak (tıkayarak) vücudu etkiler. CO teneffüs edildiğinde, normalde vücutta oksijen taşıyan kandaki hemoglobine tutunur. CO, oksijen moleküllerinin hemoglobine tutunma yeteneğini kalıcı olarak kaldırarak oksijenin hayati organlara geçmesini azaltır. CO'ya maruz kalınan konsantrasyon seviyesi ve süresi, vücuttaki etkilerini değiştirebilir ancak uzmanlar uzun süre düşük seviyelerde karbonmonoksite maruz kalmanın bile herkesin genel sağlığı üzerinde ciddi ve kalıcı etkileri olabileceği konusunda hemfikirdir.

**UYARI:** CO ALARMI, BİREYLERİ KARBONMONOKSİT MARUZİYETİNİN AKUT ETKİLERİNDEN KORUMAK VE KARBONMONOKSİT MARUZİYETİNİN KRONİK ETKİLERİNİ ÖNLEMEK İÇİN TASARLANMIŞTIR. BELİRLİ HASTALIKLARI OLAN BİREYLERİ TAM ANLAMıyla KORUMAYACAKTIR. ŞÜPHE DUYARSANIZ, BİR DOKTORA DANIŞIN.

CO Monitor işlevi, EN 50291-1, UL-2034, CSA-6.19 veya Yerel ya da Bölgesel Yasaların veya mevzuatın zorunlu kıldığı herhangi bir geçerliliği kabul edilmiş standart sertifikalı karbonmonoksit alarmı olarak kullanılmamalı veya bunun yerine geçecek şekilde kullanılması ima edilmemelidir. CO Monitor işlevi, yalnızca tamamlayıcı bir karbonmonoksit izleme cihazıdır. Bu cihazın kullanımı, kullanıcının takdirindedir ve yasalara veya geçerli olduğu durumlarda mevzuata bağlı kalma sınırlamalarının anlaşılmasını ve kabul edilmesini gerektirir. Bu cihaz, uygun havalandırma ve egzoz sistemleri de dahil olmak üzere yakıtla çalışan cihazların doğru kurulumu, kullanımı ve bakımı yerine kullanılmamalıdır. CO monitor mobil ve tablet bildirimlerinin çalışması için işlevsel bir Wi-Fi bağlantısı gerekir. Üçüncü taraf acil durum izleme hizmetinin yerine geçmezler.

## DİFÜZÖR GÜVENLİK TALİMATLARI

Yalnızca HOOVER tarafından önerilen veya tedarik edilen aroma yağı kullanın.

H-Essence'in Difüzör işlevini kullanırken hava filtresinin yanında bağımsız nemlendirici kullanmaktan kaçınin.

Herhangi bir H-Essence döküntüsünü hemen silin. Ürünün H-Essence ile temas eden her köşesini temizlediğinizden emin olun.

### Çevre

Bu cihaz Atık Elektrikli ve Elektronik Teçhizat (WEEE) hakkında Avrupa direktifi 2012/19/EU'ye uygunluk işaretine sahiptir. Bu ürünün doğru bir şekilde atılmasını sağlayarak, yanlış atılmasından dolayı çevre ve insan sağlığında oluşabilecek olumsuz etkilerin önlenmesine katkıda bulunacaksınız.



Bu aygıtta bulunan simge aygıtın ev atığı gibi işlem yapılamayacağını belirtir. Bunun yerine uygun elektrikli ve elektronik ekipman geri dönüşüm toplama noktasına teslim edilmelidir. İmha, atık imhası için düzenlenen yerel çevre yönetmeliklerine uygun olarak yapılmalıdır. Bu aygıtta ait işlem, kurtarma ve geri dönüşümle ilgili daha ayrıntılı bilgi için, lütfen yerel şehir ofisiniz, ev atığı ve çöp atma servisiniz ya da aygıtı satın aldığınız mağaza ile irtibata geçin.

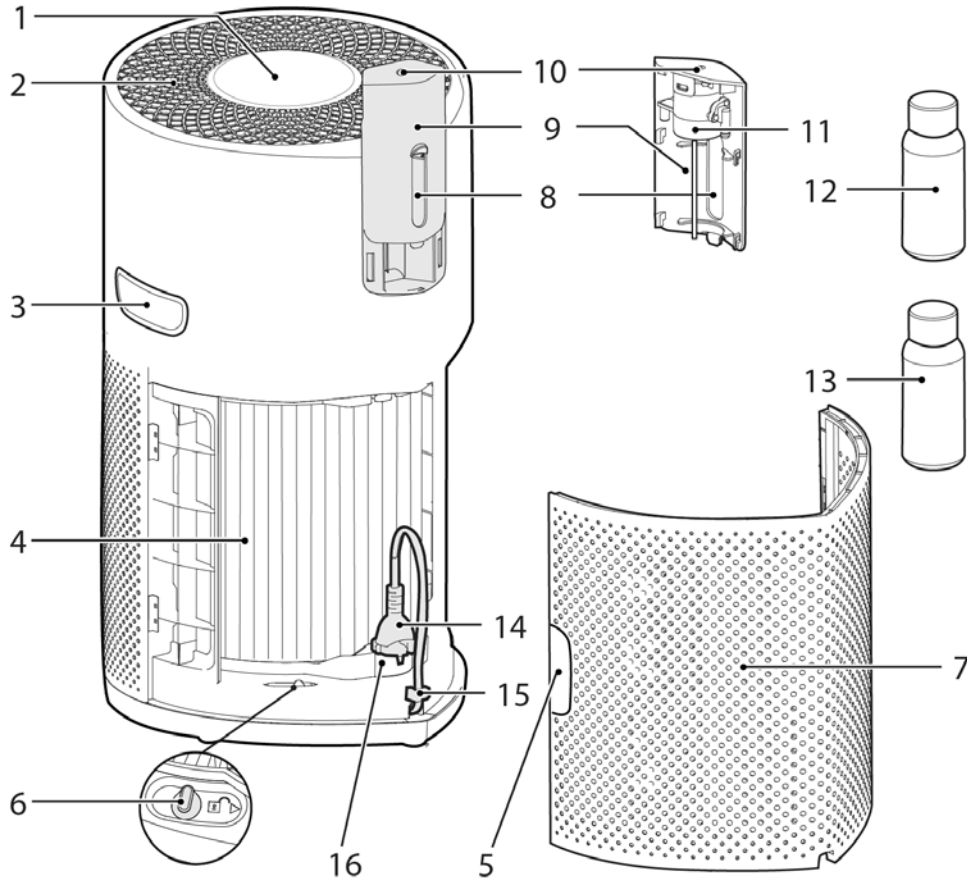
### Eşleştirme için Kablosuz Parametreler

Teknoloji	Wi-Fi	Bluetooth
Standart	IEEE 802.11 b/g/n	Bluetooth v4.2, BLE
Frekans Bantları (MHz)	2401~2483	2402~2480
Maksimum Güç (mW)	100	10
Frekans bandında iletilen maksimum RF gücü	18.9 dBm	

İşbu belgede, Candy Hoover Group Srl radyo ekipmanının 2014/53/EU sayılı Direktife uygun olduğunu beyan eder. AB uygunluk beyanı tam metni aşağıdaki internet adresinde yer almaktadır: [www.candy-group.com](http://www.candy-group.com)

CANDY HOOVER GROUP S.r.l. Via Privata Eden Fumagalli, 20861 Brugherio (MB) Italy

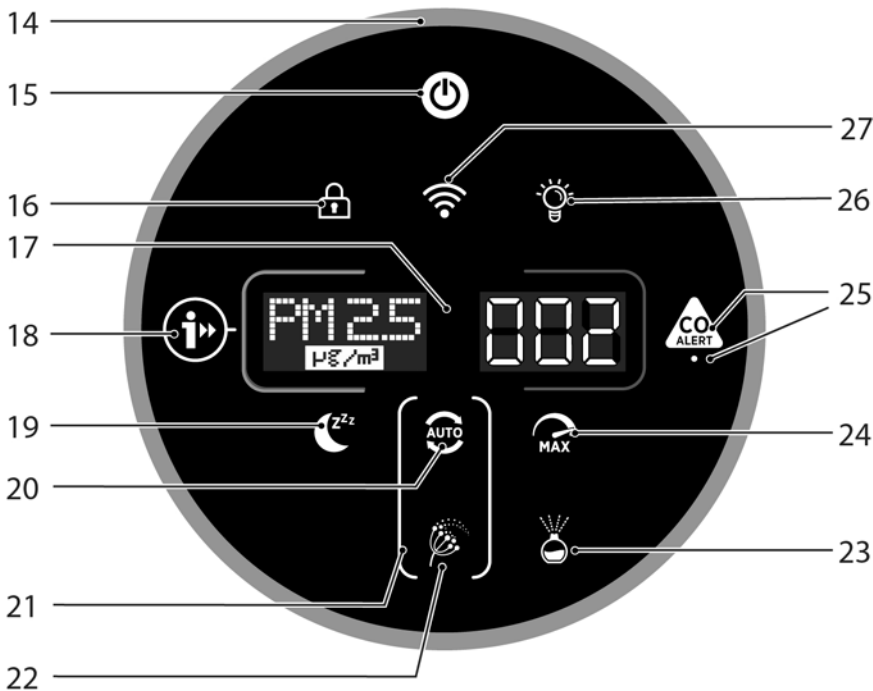
## 1. H-PURIFIER CİHAZINIZI TANIMA



1	Kumanda Paneli / Ekran
2	Hava Çıkışı
3	Ürün Taşıma Kulpu
4	Filtre Tertibatı
5	Hava Giriş Kapağı Kulpu
6	Filtre serbest bırakma düğmesi

7	Hava Giriş Kapağı
8	Difüzör Penceresi
9	Difüzör Kapağı
10	Difüzör Çıkışı
11	Difüzör Ünitesi

12	H-Esans Şişesi
13	H-Biyotik Şişesi
14	Güç Kablosu ve Fişi
15	Saklama Askısı
16	Taşıma Yeri



14	Hava Kalitesi LED Ring
15	Güç Düğmesi
16	Çocuk Kilidi Düğmesi
17	Dijital Ekran
18	Bilgi Düğmesi
19	Uyku Modu Düğmesi
20	Otomatik Modu Düğmesi
21	Polen Alerjisi Çember Lambası
22	Polen Alerjisi Lambası
23	Difüzör Düğmesi
24	Maks Mod Düğmesi
25	CO Alert Düğmesi ve LED'i
26	Işık Kontrolü Düğmesi
27	Wi-Fi Düğmesi

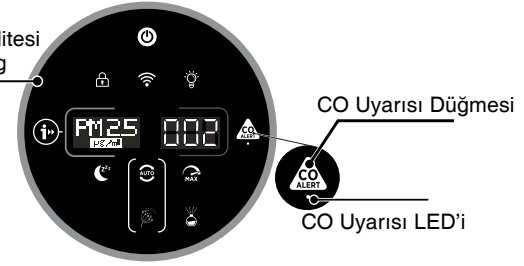
## 1.1 ÇOKLU SENSÖR SİSTEMİ

Çoklu Sensör Sistemi sayesinde ürününüz, PM10, PM2.5 ve Uçucu Organik Bileşikler (GAZ) açısından kapalı alandaki havayı sürekli olarak izleyecektir.

Ürününüzü her açtığınızda, Çoklu Sensör Sistemi kapalı alandaki hava kalitesini analiz etmeye başlayacak ve Hava Kalitesi LED Halkası, gerçek zamanlı hava kalitesi koşullarını temsil edecek şekilde farklı renklerde yanacaktır.

Hava Kalitesi LED Ring Rengi	İç mekan hava kalitesi	PM 10 değeri* $\mu\text{g}/\text{m}^3$	PM 2,5 değeri $\mu\text{g}/\text{m}^3$	GAZ VOC Seviyesi
YEŞİL	Mükemmel	0-50	0-25	L1
SARI	Tatmin edici	50-80	25-50	L2
TURUNCU	Yetersiz	80-160	50-100	L3
KIRMIZI	Çok yetersiz	$\geq 160$	$\geq 100$	L4

Hava Kalitesi LED Ring



\* Polen Alerjisi modunda, hava kalitesi seviyesini tetikleyen PM 10 değerleri, alerjik kişiler için riski en aza indirmek için daha düşük olacaktır.

## 1.2 KARBONMONOKSİT (CO) UYARISI

H-Purifier, kapalı alan havasını sürekli olarak Karbonmonoksit (CO) açısından izleyen bir uyarı sistemi ile donatılmıştır.

Karbonmonoksit alarmı etkinleştirildiğinde, HAVA Kalitesi LED Ring, Bilgi ve CO Alert düğmesi aynı anda kırmızı yanıp sönecek ve sesli bir alarm duyulacaktır. Alarm, CO Alert düğmesine 3 saniye basılarak manuel olarak susturulmadıkça Karbonmonoksit (CO) konsantrasyonu 50 ppm'nin altına düşene kadar çalışmaya devam edecektir.

CO Uyarı LED'i, CO sensörünün çalışma koşulunu gösterir. CO sensörü normal koşulda olduğunda yeşil renkte, sensörde arıza olduğunda ya da ömrü dolduğunda sarı renkte ve CO uyarısı etkinleştirildiğinde kırmızı renkte görüntülenir.

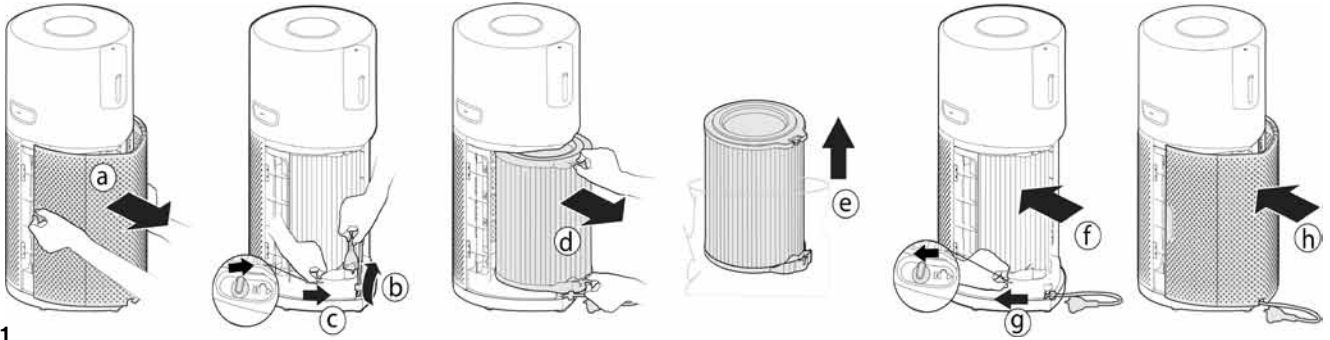
CO Uyarı Düğmesine 3 saniye basarak alarmın düzgün çalışıp çalışmadığını test edebilirsiniz; alarm düzgün çalışıyorsa 5 saniye boyunca yüksek sesli bir zil çalar.

## 2. H-PURIFIER CİHAZINIZIN HAZIRLANMASI

### 2.1 FİLTREYİ TAKIN [Şek. 1]

H-Purifier ürününüzü kullanmadan önce, filtreyi koruyucu ambalajından çıkarmanız gerekecektir:

- Hava Giriş Kapağını ürününüzden çıkarın, iki Hava giriş kapağı kulpunu tutun ve üründen çekin. [Şek. 1a]
- Fişi taşıma yerinden çıkarın ve kabloyu Saklama Kancasından serbest bırakın. [Şek. 1b]
- Filtre serbest bırakma anahtarının kilidini açın. [Şek. 1c]
- Filtreyi ürününüzden çıkarın ve dış ambalajı kaldırın. [Şek. 1d,e]
- Filtreyi ürününüze geri takın. [Şek. 1f]
- Filtre serbest bırakma anahtarını kilitleyin. [Şek. 1g]
- Hava Giriş Kapağını tekrar ürününüze takın. [Şek. 1h]

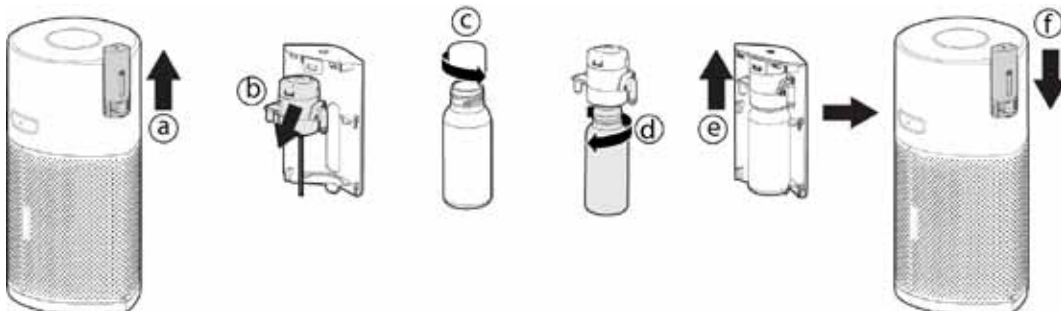


Şek. 1

### 2.2 DİFÜZÖR ŞİŞESİNİ TAKIN [Şek. 2]

H-Purifier ürününüzü Difüzör işlevi için hazırlamak amacıyla:

- Difüzör Kapağını üründen çıkarın. [Şek. 2a]
- Difüzör Ünitesini Difüzör Kapağından çıkarın. [Şek. 2b]
- H-Esans veya H-Biyotik şişesini ambalajından çıkarıp kapağı kaldırın. [Şek. 2c]
- Kapağı, ileride depolama amaçlı olarak kullanmak için saklayın.
- Şişeyi Difüzör ünitesine sıkıca vidalayın. [Şek. 2d]
- Difüzör Ünitesini Difüzör Kapağına tekrar takın. [Şek. 2e]
- Difüzör Kapağını ürüne tekrar takın. [Şek. 2f]



Şek. 2

### 3. H-PURIFIER CİHAZINIZIN KULLANIMI

#### 3.1 ÜRÜNÜ AÇIN [Şek. 4]:

Güç kablosunu kablo makarasından çıkarın ve bir güç kaynağına takın.

Kontrol Paneli / Ekran'daki tüm ışıklar şebeke bağlantısının başarılı olduğunu göstermek için yaklaşık 1 saniye süreyle tam olarak aydınlanacaktır.

İlgili sensörün kapalı alandaki Karbonmonoksit seviyesini izlemeye başladığını göstermek için GÜÇ düğmesi hafif yanacak ve CO Uyarısı LED'i AÇIK duruma gelecektir.

Ürününüzü çalıştırmak için ekrandaki GÜÇ düğmesine basın.

Hava Kalitesi LED Ring, sensörler gerçek zamanlı hava iklimini analiz ederken tüm renklerde sırayla yanacaktır. Birkaç saniye sonra, Hava Kalitesi LED ring o sırada hava kalitesi için uygun olan rengi seçecektir. H-Purifier ürününüz, hemen OTOMATİK MODUNA girecek ve iç mekan havasını temizlemeye başlayacaktır.

AUTO MODE (OTOMATİK MOD) düğmesi, INFORMATION (BİLGİ) düğmesi ve LIGHT CONTROL (IŞIK KONTROLÜ) düğmesi ve Ekrandaki PM10 bilgisi yanacaktır.

#### 3.2 H-PURIFIER ÜRÜNÜNÜZÜ BAĞLAYIN:

Tüm H-Purifier işlevlerine her yerden erişmek için, hOn Uygulamasını indirmeniz önerilir.

Ürününüzü en verimli şekilde kontrol edebileceksiniz.

##### Talimatlar:

1. App Store , Google Play veya Huawei AppGallery'den hOn uygulamasını indirin. Bunu ayrıca, [Şek. 5] ile verilen QR kodu taratarak da indirebilirsiniz
2. UYGULAMAYI açın, e-posta adresiniz ve bir parola ile bir hesap oluşturun.
3. Onaylayın ve hOn uygulamasında oturum açın.
4. Mobil cihazınızın Wi-Fi'ya bağlı olduğundan emin olun.
5. H-Purifier ürününüzün açık olduğundan emin olun. Ekrandaki Wi-Fi düğmesine 5 saniye basılı tutun, işitilebilir bir bip sesi duyulacak ve Wi-Fi düğmesi bir bağlantı beklediğini belirtmek için yanıp sönmeye başlayacaktır. [Şek. 6]
6. Mobil cihazınızı ürününüze bağlamak için uygulama içi talimatları izleyin.
7. Başarılı bir şekilde eşleştirildiğinde, üründeki Wi-Fi düğmesi yanık kalacaktır.
8. Wi-Fi'ı sıfırlamak için, Wi-Fi düğmesine 5 saniye basılı tutun.

H-Purifier ayrıca Hey Google ve Amazon Alexa ile de çalışır.

#### 3.3 TÜM İŞLEVLERİ KEŞFEDİN

##### BİLGİ İşlevi [Şek. 7]:

İzlemek için 6 farklı veri kümesi mevcuttur:

PM10, PM2.5, GAZ, Sıcaklık, Nem ve Filtre Durumu.

Her bir değeri izlemek için BİLGİ düğmesine art arda basmak yeterlidir.

Varsayılan olarak ekranda PM10 verileri gösterilecek, makine kullanıcının son seçimini hatırlayacak ve ürün tekrar çalıştırıldığında bu seçimi devam ettirecektir.

GAS verileri, GAS sensörü bir kalibrasyon devresi gerçekleştirirken ürün çalıştırıldıktan sonraki ilk 3 dakika boyunca dönen bir imleç gösterecektir.

##### PM 2.5, PM 10 ve GAS (GAZ) hakkında daha fazla bilgi:

PM, ağırlıklı olarak araçlar ve endüstriyel emisyonlar gibi dış ortam kirliliğinden kaynaklanan ve uzun süre maruz kalma durumunda sağlığımız için potansiyel tehlike arz eden ince taneleri (insan gözüyle görülemeyen) gösterir.

PM 10, 10 µm'ye kadar bir boyuta sahiptir ve üst solunum yoluna (burun, soluk borusu, farenks) nüfuz edebilir.

PM 2.5, 2,5 µm'ye kadar bir boyuta sahiptir ve küçük boyutları göz önüne alındığında akciğerlerimize ulaşabilir, böylece vücudumuzun daha derinlerine nüfuz edebilir.

GAS VOC (uçucu organik bileşikler), oda sıcaklığında havada kolayca buharlaşma özelliğine sahip uçucu kimyasal bileşiklerdir. Deodorantlar, deterjanlar, tutkallar, yapıştırıcılar, kozmetikler, formaldehit, evlerimizde bulunabilecek ancak uzun süre maruz kalma durumunda sağlığımıza potansiyel olarak zararlı olabilecek VOC'lerden sadece birkaçıdır.

##### MOD İşlevleri:

Kullanılabilecek 3 hava temizleme modu bulunmaktadır: OTOMATİK MOD, MAKS. MOD VE UYKU MODU.

Otomatik modu, çalıştırıldığında ürününüz için varsayılan ayardır, tüm modlar ekrandaki ilgili düğmeye basılarak manuel olarak seçilebilir.

POLEN ALERJİSİ modu, hOn uygulaması üzerinden de etkinleştirilebilir.

##### OTOMATİK MODU [Şek. 8]:

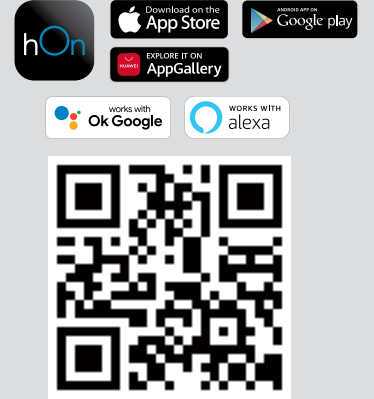
Bu, ilk çalıştırıldığında H-Purifier ürününüzün varsayılan modudur. H-Purifier, Otomatik Modda, her zaman optimum hava temizlemeyi garanti etmek için fan hızını otomatik olarak gerçek iç mekan hava kalitesi seviyesine ayarlar.

Bu, ürününüz için önerilen ayardır.

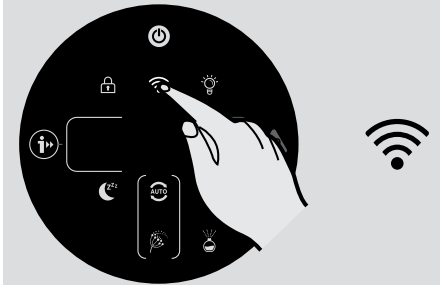
OTOMATİK modda, 30 dakikalık harika hava kalitesi sonrasında ürününüz temizleme işlevini (fan) duraklatarak EKONOMİK moda (Bekleme işlevi) geçecektir; Çoklu Sensör Sistemi kapalı alan havasını analiz etmeye devam edecek ve gerektiğinde temizleme işlevini otomatik olarak açacaktır.



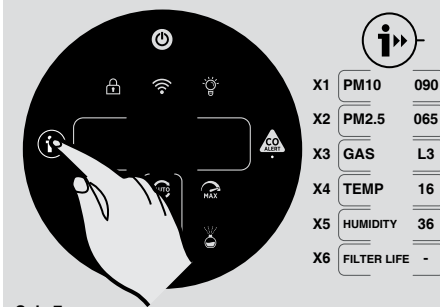
Şek. 4



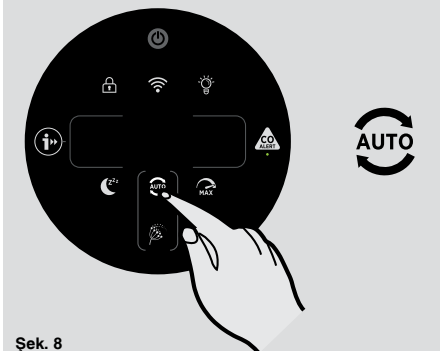
Şek. 5



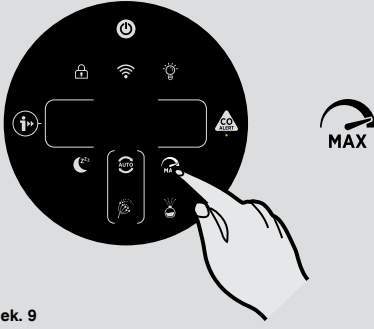
Şek. 6



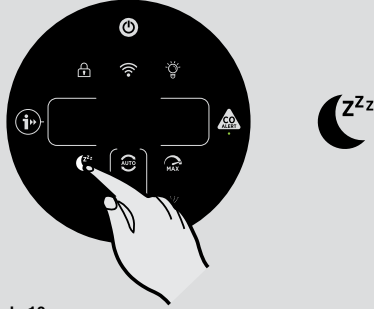
Şek. 7



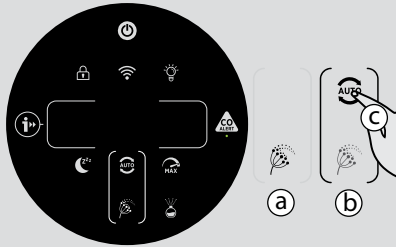
Şek. 8



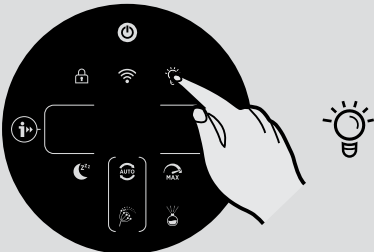
Şek. 9



Şek. 10



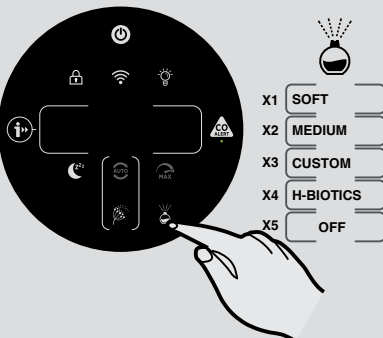
Şek. 11



Şek. 12



Şek. 13



Şek. 14

**MAKS MODU [Şek. 9]:**

Maksimum güç ayarında hava temizlemeyi etkinleştirmek için ekrandaki MAKS modu düğmesine basın. MAKS modundan çıkmak için, OTOMATİK modunu veya UYKU modunu seçmek yeterlidir.

**UYKU MODU [Şek. 10]:**

En düşük sessiz güç ayarında hava temizlemeyi etkinleştirmek için UYKU modu düğmesine basın. UYKU modu düğmesi, yarı aydınlık olacak ve diğer tüm ekran ışıkları sönecektir. Bu, LIGHT CONTROL (IŞIK KONTROLÜ) düğmesine basılarak değiştirilebilir.

**POLEN ALERJİSİ MODU: [Şek. 11]**

Polen Alerjisi modu, yalnızca hOn Uygulaması üzerinden etkinleştirilebilir. Polen Alerjisi Profilinizi oluşturmak için, öncelikle uygulamada bir profil etkinleştirmeniz ve kaydetmeniz istenecektir.

Polen Alerjisi modu, yalnızca OTOMATİK MODU seçildiğinde çalışır. [Şek. 11c]

Polen Alerjisi modunda, cihaz sürekli olarak Uygulamadan dış mekanda izlenen polen konsantrasyonu hakkında gerçek zamanlı veri alır ve polen yakalama performansını en üst düzeye çıkarmak için otomatik olarak çalışır.

Polenler yakalandıktan sonra, alerjik semptomları hafifletmeye yardımcı olmak için etkisiz hale getirilirler.

Polen Alerjisi modu Uygulamada etkinleştirildiğinde, ürün ekranında 2 olası bildirim lambası mevcuttur:

- Polen Alerjisi Lambası **BEYAZ [Şek. 11a]**: Cihaz ve Uygulama, dış mekandaki polen varlığını izliyor ve hiçbir risk yok.

- Polen Alerjisi Lambası **SARI** renge döner ve Polen Alerjisi Çemberi lambası **BEYAZ [Şek. 11b]**: Cihaz ve Uygulama risk tespit etti.

Polen Alerjisi modu etkinken ürün manüel olarak UYKU moduna veya MAKS moduna geçirilirse, Polen Alerjisi modu duracaktır.

**IŞIK KONTROLÜ İşlevi: [Şek. 12]**

Ekrana aydınlatması için Açık, Loş ve Kapalı olmak üzere 3 ayar mevcuttur

Ekrana aydınlatmasının parlaklığını ayarlamak için LIGHT CONTROL (IŞIK KONTROLÜ) düğmesine basarak mevcut 3 seçenek arasında geçiş yapın. AÇIK, varsayılan ayardır.

KAPALI seçilirse, etkinleştirmek için başka herhangi bir düğmeye iki kez basılması gerekecek, bir defa basıldıktan sonra ışıklar LOŞ olacak, ikinci defa basıldığında eylem etkinleşecektir.

**ÇOCUK KİLİDİ İşlevi: [Şek. 13]**

Etkinleştirmek için ÇOCUK KİLİDİ düğmesine 3 saniye basılı tutun, etkinleştirildiğinde işitilebilir bir ses duyulacak ve ÇOCUK KİLİDİ düğmesi yanık kalacaktır. Etkinleştirildiğinde, başka hiçbir düğme çalışmayacaktır.

Çıkmak için ÇOCUK KİLİDİ düğmesine 3 saniye basılı tutmak yeterlidir, kapalı olduğunu onaylayan işitilebilir bir ses duyulacak ve düğme artık yanmayacaktır.

**DİFÜZÖR İşlevi: [Şek. 14]**

Difüzör, H-Esans veya H-Biyotik odasının havasına yayılır. H-Esans, hoş kokuları havaya yaymaya yönelik olan Hoover uçucu yağ koleksiyonudur.

H-Biyotik, bakteri veya mikrop gibi mikroorganizmaların üremesini engelleyerek odayı biyolojik olarak hijyenik tutan probiyotiklere dayalı doğal bir karışımdır.

DİFÜZÖR işlevi için HAFİF, ORTA, ÖZEL ve H-BİYOTİK olmak üzere 4 farklı ayar mevcuttur. Bu işlevi etkinleştirmek için Ekrandaki Difüzör düğmesine basmak yeterlidir, bu işlev için varsayılan ayar HAFİF'tir, diğer ayarlardan herhangi birini seçmek üzere istenen seçime geçmek için arka arkaya düğmeye basmak yeterlidir. Düğme, çalıştırıldığında beyaz renkte yanacaktır.

H-Esans için HAFİF ve ORTA ayarlarının kullanılması önerilir.

ÖZEL ayar yalnızca hOn Uygulamasında oluşturulabilir.

H-Biyotik kullanılırken, ayar H-Biyotik olarak AYARLANMALIDIR. Kullanıcı Uygulamayı kullanarak H-Biyotik'i etkinleştirdiğinde, bu her 5 günde bir H-biyotik kullanımını sağlamak için 120 saat sonra "H-BİYOTİĞİ ETKİNLEŞTİR" uyarısı verecektir.



H-Essence belirli ayarlarda ya da oda ortamlarında kullanıldığında, kokuların algılanması nedeniyle GAZ VOC seviyesi değişebilir. Difüzör işlevi yalnızca Hava Kalitesi LED Halkası yeşil renkte açık olduğunda çalışır; LED Halkası yeşil olmadığına duraklatılacak ve yeşile geri döndüğünde çalışmaya devam edecektir.

Difüzör işlevi, yalnızca OTOMATİK ve MAKS modlarında kullanılabilir ve UYKU modunda kullanılamaz.

Difüzör işlevi AUTO modunda etkinleştirildiğinde, ana fan H-Essence veya H-Biotics'in odaya yayılmasına yardımcı olmak için belirli bir hızda çalışacaktır.

Ayar	Difüzyon Zamanlaması	Çevrim maks. süresi
HAFİF	5 dakikada bir 10 saniye süreyle	6 saat
ORTA	3,5 dakikada bir 90 saniye süreyle	6 saat
ÖZEL	Kullanıcı Tanımlı	6 saat
H-BİYOTİK	4 dakikada bir 2 dakika süreyle	6 saat

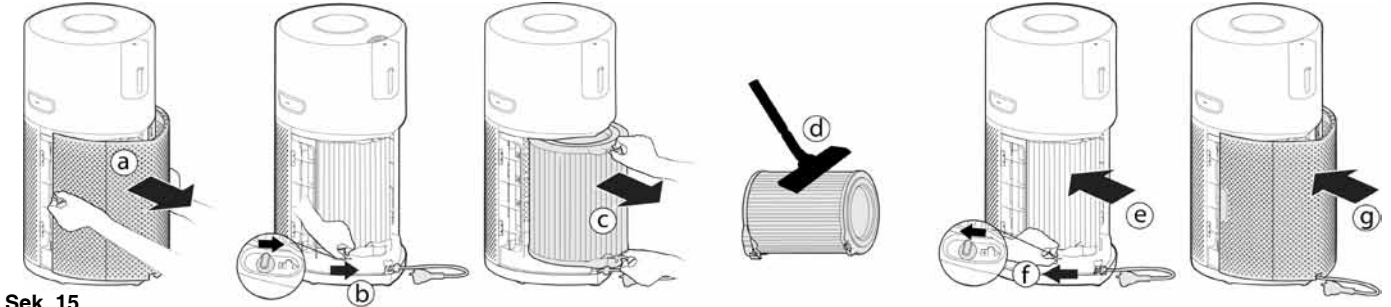
## 4. H-PURIFIER CİHAZINIZIN BAKIMI

### 4.1 FİLTRE BAKIMI

H-Purifier cihazınız, filtrenizin durumunu izleyecektir. Ekranın sol tarafında **FİLTREYİ TEMİZLE VEYA FİLTREYİ DEĞİŞTİR** uyarısı ve filtreyi temizlemek veya değiştirmek için gereken eylemi gösteren Flaş görünecektir.

#### Filtrenin Temizlenmesi/Değiştirilmesi: [Şek. 15]

- Hava Giriş Kapağını ürününden çıkarın. [Şek. 15a]
- Filtre serbest bırakma anahtarının kilidini açın. [Şek. 15b]
- Filtreyi ürününden çıkarın. [Şek. 15c]
- Filtrenin dış katmanını temizlemek için bir Elektrik Süpürgesi kullanın veya filtreyi YENİ bir filtreyle değiştirin. [Şek. 15d]
- Filtreyi ürününe geri takın. [Şek. 15e]
- Filtre serbest bırakma anahtarını kilitleyin. [Şek. 15f]
- Hava Giriş Kapağını tekrar ürününe takın. [Şek. 15g]
- Cihazınızın fişini prize takın ve çalıştırın.
- Temizleme/Değiştirme uyarısını sıfırlamak için BİLGİ düğmesine 3 saniye basılı tutun, sıfırlamanın başarılı olduğunu belirtmek için sesli bir uyarı duyulacaktır. [Şek. 7]



Şek. 15

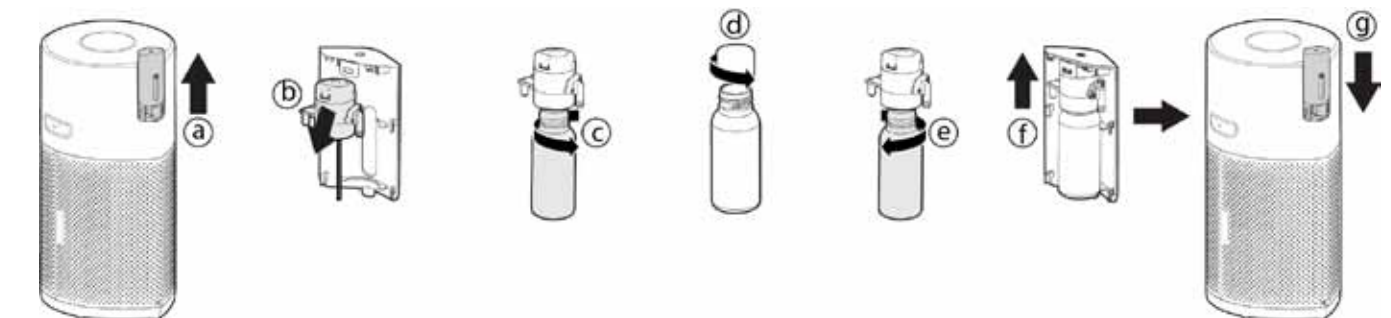
### 4.2 DİFÜZÖR BAKIMI

Difüzör işlevinin her kullanımından sonra, ürün yüzeylerindeki kalıntıları temizlemek için kuru yumuşak bir bez kullanın.

#### Difüzör Şişesinin Değiştirilmesi: [Şek. 16]

Şişede kalan sıvı miktarı Difüzör Penceresinden kontrol edilebilir, gerektiğinde şişe yenisiyle değiştirilmelidir.

- Difüzör Kapağını ürününden çıkarın. [Şek. 16a]
- Difüzör Ünitesini ve Şişesini difüzör kapağından çıkarın. [Şek. 16b]
- Boş şişeyi çevirerek gevşetin ve çıkarın. [Şek. 16c]
- Yeni H-Esans veya H-Biyotik şişesini ambalajından çıkarıp kapağı kaldırın. [Şek. 16d]
- Yeni şişeyi difüzör ünitesine sıkıca vidalayın. [Şek. 16e]
- Difüzör ünitesini difüzör kapağına tekrar takın. [Şek. 16f]
- Difüzör kapağını H-Purifier cihazına tekrar takın. [Şek. 16g]

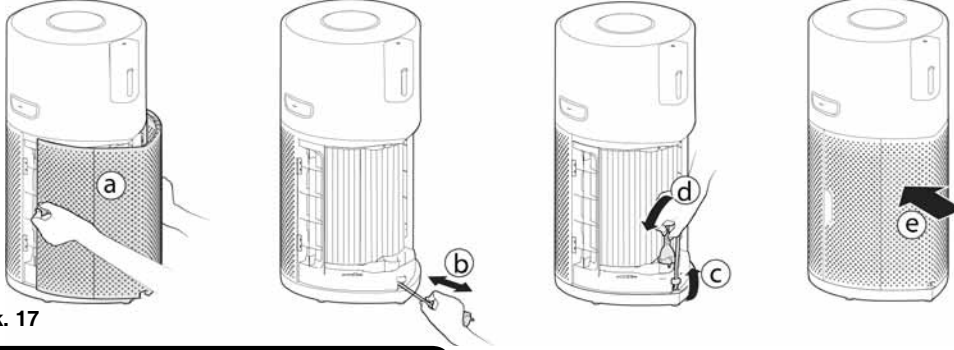


Şek. 16



## 5. H-PURIFIER CİHAZINIZIN SAKLANMASI

1. H-Purifier'ı kapatın ve güç kablosunu prizden çekin.
2. H-Purifier'ın iç ve dış yüzeylerini ve filtrenin dış katmanını iyice temizleyin.
3. Şişeyi difüzörden çıkarın. Orijinal kapağı şişeye tekrar takın ve doğrudan ışıktan korumak için saklayın. Difüzör ünitesinin yüzeylerini ve Difüzör Kapağı'nı temizleyin. H-Purifier'ın herhangi bir yüzeyinde H-Essence veya H-Biotics kalıntısı kalmadığından emin olun.
4. Tüm bileşenlerin kuru olduğundan emin olun.
5. Hava Giriş Kapağı'nı [Şek. 17a] çıkarın, kablodan [Şek. 17b] çekerek elektrik kablosunu sarın, kabloyu Saklama Askısı'na, Fişi Taşıma Konumu'na yerleştirin. [Şek. 17c,d] Hava giriş kapağını tekrar takın. [Şek. 17e]
6. H-Purifier'ı serin, kuru bir yerde saklayın.



Şek. 17

## 6. UYARILAR VE ÇÖZÜMLER

Kullanım sırasında aşağıdaki kodlar görünebilir. [Şek. 18]



Şek. 18

Uyarı		Uyarı Açıklaması	Çözüm
Ürün üzerinde uyarı	Uygulamadaki uyarı		
"FİLTREYİ TEMİZLEYİN"	Ön Filtre temizleme Uyarısı	Filtrenin dış katmanını temizleme tavsiyesidir.	1. Filtrenin dış katmanını temizleyin. 2. BİLGİ düğmesine 3 saniye süreyle basılı tutarak uyarıyı sıfırlayın. <b>Bkz. 4.1 FİLTRE BAKIMI</b>
"FİLTREYİ DEĞİŞTİRİN"	Filtre değiştirme Uyarısı	Filtreyi değiştirme tavsiyesidir.	1. Filtreyi değiştirin. 2. BİLGİ düğmesine 3 saniye süreyle basılı tutarak uyarıyı sıfırlayın. <b>Bkz. 4.1 FİLTRE BAKIMI</b>
"FİLTRE YOK"	Hata: hava temizleyici ile ilgili bir hata oluştu; lütfen olası çözümleri kontrol edin	Filtre yerinde değil ya da doğru şekilde kilitlememiş	1. Filtre yoksa, geri takın. 2. Filtre yerindeyse, Filtre Serbest Bırakma Anahtarının KİLİTLİ durumuna getirilip getirilmediğini kontrol edin. <b>Bkz. 2.1 FİLTREYİ TAKIN</b>
"PM SENSÖRÜ HATASI"	/	PM sensörü arızalı	PM sensörü arızalı veya sensör kablosu iyi bağlanmamış; düzeltilmesi için lütfen servisi arayın.
CO Uyarısı LED'i sarı	Hata: hava temizleyici ile ilgili bir hata oluştu; lütfen olası çözümleri kontrol edin	CO sensörü arızalı veya CO sensörü çalışma ömrünün sonuna geldi.	Düzeltilmesi için servisi arayın.
/	Hata: hava temizleyici ile ilgili bir hata oluştu; lütfen olası çözümleri kontrol edin	Motor arızası	Motor arızası veya motor kablosu iyi bağlanmamış, lütfen düzeltmek için bakım merkezini arayın.
"SIC. VE NEM. SENSÖRÜ HATASI"	/	Sıcaklık ve nem sensörü arızalı	Sıcaklık ve nem sensörü arızalı veya sensör kablosu iyi bağlanmamış; düzeltilmesi için lütfen servisi arayın.
"DURAKLAT"	/	Hava Kalitesi LED Halkası yeşil olmadığında difüzörün çalışması duraklatılacaktır.	Eyleme geçilmesine gerek yoktur. Hava Kalitesi LED Halkası yeşil olduğunda difüzörün çalışması sürdürülecektir.

**DİKKAT:** Yukarıdaki bu sorunlar devam ediyorsa yerel Hoover temsilcinize danışın. H-Purifier cihazını kendiniz demonte etmeye **ÇALIŞMAYIN**.

## 7. SORUN GİDERME

Aşağıda en sık karşılaşılan problemler ve çözümlerinin bir listesi verilmiştir. Eğer bu problemlerden herhangi biri devam ederse, yerel Hoover temsilcinizle irtibat kurunuz.

Fan çalışmıyor (Kumanda Paneli / Ekran Işıkları yanık)	<ul style="list-style-type: none"> <li>• Ekranda veya uygulamada gösterilen uyarıyı kontrol edin. Varsa, bkz. <b>6. UYARILAR VE ÇÖZÜMLER</b>.</li> <li>• Fanda herhangi bir tıkanıklık olup olmadığını kontrol edin. Varsa, öncelikle ürünü fişten çekin ve bunu giderin ya da giderilmesi için servisi arayın.</li> <li>• H-Purifier cihazının açık olup olmadığını kontrol edin.</li> <li>• Filtrenin doğru şekilde takılı ve kilitli durumda olduğunu teyit edin.</li> <li>• H-Purifier cihazının tamamen dik bir konumda olduğunu ve eğilmediğini kontrol edin.</li> <li>• H-Purifier EKONOMİK modda olabilir. EKONOMİK moddan çıkmak için Uyku Modu Düğmesine veya Maks. Modu Düğmesine basabilirsiniz. Bkz. <b>3. H-PURIFIER CİHAZINIZIN KULLANILMASI – OTOMATİK MODU</b>.</li> </ul>
Fan çalışmıyor (Kumanda Paneli / Ekran Işıkları sönmük)	<ul style="list-style-type: none"> <li>• H-Purifier cihazının prize takılı ve açık olup olmadığını kontrol edin.</li> <li>• Uygulamada görüntülenen uyarıyı kontrol edin. Varsa, bkz. <b>6. UYARILAR VE ÇÖZÜMLER</b>.</li> </ul>
Kontrol Panelinde Işık yok / Ekran (Fan Çalışıyor)	<ul style="list-style-type: none"> <li>• Uyku Modunda, varsayılan ışık ayarı kapalıdır. Işıkları açmak için Işık Kontrol Düğmesine basabilirsiniz.</li> <li>• Işıklar kapalı olabilir. Işıkları açmak için Işık Kontrol Düğmesine basın. Bkz. <b>3. H-PURIFIER CİHAZINIZIN KULLANILMASI – UYKU MODU / IŞIK KONTROLÜ İşlevi</b>.</li> </ul>
Kontrol Panelindeki Düğmeler çalışmıyor	<ul style="list-style-type: none"> <li>• Çocuk Kilidi etkinleştirilmiş olabilir. Çıkmak için ÇOCUK KİLİDİ düğmesine 3 saniye süreyle basılı tutabilirsiniz. Bkz. <b>3. H-PURIFIER CİHAZINIZIN KULLANILMASI – ÇOCUK KİLİDİ İşlevi</b>.</li> </ul>
Hava Akışı Zayıf	<ul style="list-style-type: none"> <li>• Koruyucu ambalajın filtreden çıkarıldığını kontrol edin.</li> <li>• Hava Giriş Kapağında veya Hava çıkışında herhangi bir tıkanıklık olmadığını kontrol edin.</li> <li>• Hava Giriş Kapağını çıkarın ve Filtrenin durumunu kontrol edin. Dış katmanını temizleyin ya da gerekirse Filtreyi değiştirin. Bilgi Düğmesine basarak Ekrandaki Filtre Ömrü durumunu kontrol edebilirsiniz.</li> <li>• H-Purifier cihazının uyku modunda olup olmadığını kontrol edin. Fan bu modda düşük güçte çalışır.</li> </ul>
H-Purifier yüksek sesle çalışıyor	<ul style="list-style-type: none"> <li>• H-Purifier'da herhangi bir tıkanma bulunup bulunmadığını kontrol edin.</li> <li>• H-Purifier'ın Maks. Modunda çalışıp çalışmadığını kontrol edin. Bu modda, fan maksimum güçte çalışır.</li> </ul>
H-Purifier aniden yüksek sesle çalışıyor	<ul style="list-style-type: none"> <li>• H-Purifier'ın Otomatik Modda çalışıp çalışmadığını kontrol edin ve Hava Kalitesi LED Halkasının yeşil olmadığını teyit edin. H-Purifier, Otomatik Modda, fan hızını otomatik olarak gerçek iç mekan hava kalitesi seviyesine ayarlar. Bkz. <b>3. H-PURIFIER CİHAZINIZIN KULLANILMASI – OTOMATİK MODU</b>.</li> </ul>
H-Purifier, aniden yüksek sesli bir zil çalar	<ul style="list-style-type: none"> <li>• CO Uyarı düğmesinin test işlevi, hatalı çalışma ile etkinleştirilir. Ses, 5 saniye sonra otomatik olarak duracaktır. Bkz. <b>1.2 KARBONMONOKSİT (CO) UYARISI</b></li> </ul>

## ÖNEMLİ BİLGİLER

### Hoover Yedek Parçaları ve Sarf Malzemeleri

Parçaları daima orijinal Hoover parçaları ile değiştirin. Bu parçaları Hoover servislerinden tedarik edebilirsiniz. Parça siparişi verirken mutlaka cihazın model numarasını belirtin.

### Kalite

Hoover fabrikalarının kalitesi bağımsız olarak takdir almıştır.. Ürünlerimiz, ISO 9001 gereksinimlerini içeren bir kalite sistemi kullanılarak üretilmektedir.

### GARANTİNİZ

Bu cihaz için garanti koşulları, cihazın satıldığı ülkedeki temsilcimiz tarafından tanımlanmaktadır. Bu koşullara ilişkin ayrıntılar cihazın satın alındığı bayiden edinilebilmektedir. Bu garanti koşulları altında yapılan talepte satış fişi(faturası) ve makbuzu ibraz edilmiş olmalıdır.

Haber verilmeksizin değişiklikler yapılabilir.

