

RYOBI®

RY18PSA

ORIGINAL INSTRUCTIONS
TRADUCTION DES INSTRUCTIONS ORIGINALES
ÜBERSETZUNG DER ORIGINALANLEITUNG
TRADUCCIÓN DE LAS INSTRUCCIONES ORIGINALES
TRADUZIONE DELLE ISTRUZIONI ORIGINALI
VERTALING VAN DE ORIGINELE INSTRUCTIES
TRADUÇÃO DAS INSTRUÇÕES ORIGINAIS
OVERSÆTTELSE AF DE ORIGINALE INSTRUKTIONER
ÖVERSÄTTNING AV DE URSPRUNGLIGA INSTRUKTIONERNA
ALKUPERÄISTEN OHJEIDEN SUOMENNO
OVERSETTELSE AV DE ORIGINALE INSTRUKSJONENE
ПЕРЕВОД ОРИГИНАЛЬНЫХ ИНСТРУКЦИЙ
TŁUMACZENIE INSTRUKCJI ORYGINALNEJ
PŘEKLAD ORIGINÁLNÍCH POKYNŮ
AZ EREDETI ÚTMUTATÓ FORDÍTÁSA
TRADUCEREA INSTRUCȚIUNILOR ORIGINALE
TULKOTS NO ORIĢINĀLĀS INSTRUKCIJAS
ORIGINALIŲ INSTRUKCIJŲ VERTIMAS
ORIGINALAALJUHENDI TÕLGE
PRIJEVOD ORIGINALNIH UPUTA
PREVOD ORIGINALNIH NAVODIL
PREKLAD ORIGINÁLNYCH POKYNOV
ПРЕВОД ОТ ОРИГИНАЛНИТЕ ИНСТРУКЦИИ
ПЕРЕКЛАД ОРИГИНАЛЬНИХ ІНСТРУКЦІЙ
ORIJINAL TALIMATLARIN ÇEVIRILERI



EN
FR
DE
ES
IT
NL
PT
DA
SV
FI
NO
RU
PL
CS
HU
RO
LV
LT
ET
HR
SL
SK
BG
UK
TR





- Important!** It is essential that you read the instructions in this manual before assembling, maintaining and operating the product.
- Attention!** Il est essentiel que vous lisiez les instructions contenues dans ce manuel avant d'assembler, d'entretenir et d'utiliser le produit.
- Achtung!** Es ist wichtig, dass Sie vor Zusammenbau, Wartung und Benutzung des Produktes die Anweisungen in dieser Anleitung lesen.
- ¡Atención!** Resulta fundamental que lea este manual de instrucciones antes de realizar el montaje, el mantenimiento y de utilizar este producto
- Attenzione!** È importante leggere le istruzioni contenute nel presente manuale prima di montare il prodotto, svolgere le operazioni di manutenzione sullo stesso e metterlo in funzione.
- Let op!** Het is van essentieel belang dat u de instructies in deze gebruiksaanwijzing leest voor u het product monteert, onderhoudt en gebruikt.
- Atenção!** É fundamental que leia as instruções deste manual antes da montagem, manutenção e operação do aparelho.
- OBS!** Det er vigtigt, at man læser instrukserne i denne brugsanvisning, inden man samler, vedligeholder og betjener produktet.
- Observera!** Det är viktigt att du läser instruktionerna i manualen före montering, användning och underhåll av produkten.
- Huomio!** On tärkeää, että luet tämän käsikirjan ohjeet ennen tuotteen kokoamista, huoltoa ja käyttöä.
- Advarsel!** Det er viktig at du leser instruksjonene i denne manualen før sammensetning, vedlikehold og bruk av produktet
- Внимание!** Необходимо прочитать инструкции в данном руководстве перед сборкой, обслуживанием и эксплуатацией этого изделия.
- Uwaga!** Koniecznie należy przeczytać instrukcje zawarte w tym podręczniku przed montażem, obsługą oraz konserwacją produktu.
- Důležité upozornění!** Neinstalujte, neprovádějte údržbu ani nepoužívejte tento výrobek dříve, než si přečtete pokyny uvedené v tomto návodu.
- Figyelem!** Fontos, hogy a termék összeszerelése, karbantartása és használatá elött elolvassa a kézikönyvben található utasításokat.
- Atenție!** Este esențial să citiți instrucțiunile din acest manual înainte de asamblare, efectuarea întreinerii și operarea produsului.
- Uzmanību!** Ir svarīgi izlasīt šīs rokasgrāmatas instrukcijas pirms uzstādīšanas, apkopes un precas darbināšanas.
- Dėmesio!** Prieš surenkant, prižiūrint ir naudojam gaminį, būtina perskaityti šiame vadove pateiktus nurodymus.
- Tähtis!** Enne masina kokkupanekut, hooldamist ja kasutama hakkamist tuleb käesolevas juhendis esitatud juhised kindlasti läbi lugeda.
- Upozorenje!** Vrlo je važno da ste prije sklapanja, održavanja i rada s ovim proizvodom pročitali upute u ovom priručniku.
- Pomembno!** Pomembno je da pred montažo vzdrževanjem in uporabo tega izdelka preberete navodila v tem priročniku.
- Upozornenie!** Je dôležité, aby ste si pred montážou, údržbou a obsluhou produktu prečítali pokyny v tomto návode.
- Важно!** Исключительно важно е да прочетете инструкциите в настоящото ръководство, преди да преминете към сглобяване, поддръжка или работа с продукта.
- Важливо!** Дуже важливо, щоб ви прочитали інструкції в цьому керівництві перед складанням, обслуговуванням та експлуатацією цієї машини.
- Önemli!** Ürünü monte etmeden, kullanmadan ve bakımını yapmadan önce bu kılavuzdaki talimatları okumanız önemlidir.

Subject to technical modification | Sous réserve de modifications techniques | Technische Änderungen vorbehalten | Bajo reserva de modificaciones técnicas | Con riserva di eventuali modifiche tecniche | Technische wijzigingen voorbehouden | Com reserva de modificações técnicas | Med forbehold for tekniske ændringer | Med förbehåll för tekniska ändringar | Tekniset muutokset varataan | Med forbehold om tekniske endringer | могут быть внесены технические изменения | Z zastrzeżeniem modyfikacji technicznych | Změny technických údajů vyhrazeny | A műszaki módosítás jogát fenntartjuk | Sub rezerva modificațiilor tehnice | Paturam tiesības mainīt tehniskos raksturlielumus | Pasiliekiant teisę daryti techninius pakeitimus | Tehnilised muudatused võimalikud | Podloženo tehničkim promjenama | Tehnične spremembe dopuščene | Právo na technické zmeny je vyhradené | Подлежи на технически модификации | Є об'єктом для технічних змін | Teknik değişikliğe tabidir.



Safety, performance, and dependability have been given top priority in the design of your cordless pruning saw.

INTENDED USE

The cordless pruning saw is intended to be used only by adults who have read and understood the instructions and warnings in this manual, and can be considered responsible for their actions.

The product is intended only for outdoor use in a well-ventilated area.

The product is designed for the cutting and pruning of small limbs and branches with a diameter that is less than or equal to 80 mm.

The product is designed for handheld use. The product is not to be mounted onto a workbench unless specific instructions about how to do this are given by the manufacturer of the product.

Do not use the product for any other purpose.

GENERAL POWER TOOL SAFETY WARNINGS

⚠ WARNING

Read all safety warnings, instructions, illustrations and specifications provided with this power tool. Failure to follow all instructions listed below may result in electric shock, fire and/or serious injury.

Save all warnings and instructions for future reference.

The term "power tool" in the warnings refers to your mains-operated (corded) power tool or battery-operated (cordless) power tool.

WORK AREA SAFETY

- **Keep work area clean and well lit.** Cluttered or dark areas invite accidents.
- **Do not operate power tools in explosive atmospheres, such as in the presence of flammable liquids, gases or dust.** Power tools create sparks which may ignite the dust or fumes.
- **Keep children and bystanders away while operating a power tool.** Distractions can cause you to lose control.

ELECTRICAL SAFETY

- **Power tool plugs must match the outlet. Never modify the plug in any way. Do not use any adapter plugs with earthed (grounded) power tools.** Unmodified plugs and matching outlets will reduce risk of electric shock.
- **Avoid body contact with earthed or grounded surfaces, such as pipes, radiators, ranges and refrigerators.** There is an increased risk of electric shock if your body is earthed or grounded.
- **Do not expose power tools to rain or wet conditions.** Water entering a power tool will increase the risk of electric shock.
- **Do not abuse the cord. Never use the cord for carrying, pulling or unplugging the power tool.**

Keep cord away from heat, oil, sharp edges or moving parts. Damaged or entangled cords increase the risk of electric shock.

- **When operating a power tool outdoors, use an extension cord suitable for outdoor use.** Use of a cord suitable for outdoor use reduces the risk of electric shock.
- **If operating a power tool in a damp location is unavoidable, use a residual current device (RCD) protected supply.** Use of an RCD reduces the risk of electric shock.

PERSONAL SAFETY

- **Stay alert, watch what you are doing and use common sense when operating a power tool. Do not use a power tool while you are tired or under the influence of drugs, alcohol or medication.** A moment of inattention while operating power tools may result in serious personal injury.
 - **Use personal protective equipment. Always wear eye protection.** Protective equipment such as a dust mask, non-skid safety shoes, hard hat or hearing protection used for appropriate conditions will reduce personal injuries.
 - **Prevent unintentional starting. Ensure the switch is in the off-position before connecting to power source and/or battery pack, picking up or carrying the tool.** Carrying power tools with your finger on the switch or energising power tools that have the switch on invites accidents.
 - **Remove any adjusting key or wrench before turning the power tool on.** A wrench or a key left attached to a rotating part of the power tool may result in personal injury.
 - **Do not overreach. Keep proper footing and balance at all times.** This enables better control of the power tool in unexpected situations.
 - **Dress properly. Do not wear loose clothing or jewellery. Keep your hair and clothing away from moving parts.** Loose clothes, jewellery or long hair can be caught in moving parts.
 - **If devices are provided for the connection of dust extraction and collection facilities, ensure these are connected and properly used.** Use of dust collection can reduce dust-related hazards.
 - Do not let familiarity gained from frequent use of tools allow you to become complacent and ignore tool safety principles. A careless action can cause severe injury within a fraction of a second.
- #### POWER TOOL USE AND CARE
- **Do not force the power tool. Use the correct power tool for your application.** The correct power tool will do the job better and safer at the rate for which it was designed.
 - **Do not use the power tool if the switch does not turn it on and off.** Any power tool that cannot be controlled with the switch is dangerous and must be repaired.
 - **Disconnect the plug from the power source and/ or remove the battery pack, if detachable, from the power tool before making any adjustments,**

changing accessories, or storing power tools. Such preventive safety measures reduce the risk of starting the power tool accidentally.

- **Store idle power tools out of the reach of children and do not allow persons unfamiliar with the power tool or these instructions to operate the power tool.** Power tools are dangerous in the hands of untrained users.
- **Maintain power tools and accessories. Check for misalignment or binding of moving parts, breakage of parts and any other condition that may affect the power tool's operation. If damaged, have the power tool repaired before use.** Many accidents are caused by poorly maintained power tools.
- **Keep cutting tools sharp and clean.** Properly maintained cutting tools with sharp cutting edges are less likely to bind and are easier to control.
- **Use the power tool, accessories and tool bits etc. in accordance with these instructions, taking into account the working conditions and the work to be performed.** Use of the power tool for operations different from those intended could result in a hazardous situation.
- **Keep handles and grasping surfaces dry, clean and free from oil and grease.** Slippery handles and grasping surfaces do not allow for safe handling and control of the tool in unexpected situations.

BATTERY TOOL USE AND CARE

- **Recharge only with the charger specified by the manufacturer.** A charger that is suitable for one type of battery pack may create a risk of fire when used with another battery pack.
- **Use power tools only with specifically designated battery packs.** Use of any other battery packs may create a risk of injury and fire.
- **When battery pack is not in use, keep it away from other metal objects, like paper clips, coins, keys, nails, screws or other small metal objects, that can make a connection from one terminal to another.** Shorting the battery terminals together may cause burns or a fire.
- **Under abusive conditions, liquid may be ejected from the battery; avoid contact. If contact accidentally occurs, flush with water. If liquid contacts eyes, additionally seek medical help.** Liquid ejected from the battery may cause irritation or burns.
- **Do not use a battery pack or tool that is damaged or modified.** Damaged or modified batteries may exhibit unpredictable behaviour resulting in fire, explosion or risk of injury.
- **Do not expose a battery pack or tool to fire or excessive temperature.** Exposure to fire or temperature above 130°C may cause explosion.
- **Follow all charging instructions and do not charge the battery pack or tool outside the temperature range specified in the instructions.** Charging improperly or at temperatures outside the specified range may damage the battery and increase the risk of fire.

SERVICE

- **Have your power tool serviced by a qualified repair person using only identical replacement parts.** This will ensure that the safety of the power tool is maintained.
- **Never service damaged battery packs.** Service of battery packs should only be performed by the manufacturer or authorised service providers.

CORDLESS PRUNING SAW SAFETY WARNINGS

- Hold the power tool by insulated gripping surfaces, when performing an operation where the cutting accessory may contact hidden wiring. Cutting accessory contacting a "live" wire may make exposed metal parts of the power tool "live" and could give the operator an electric shock.
- Use clamps or another practical way to secure and support the workpiece to a stable platform. Holding the workpiece by hand or against your body leaves it unstable and may lead to loss of control.
- Keep hands away from the sawing range. Do not reach under the workpiece. Contact with the saw blade can lead to injuries.
- When mounting the saw blade, wear protective gloves. There is danger of injury when touching the saw blade.
- Do not hold the product with one hand on or around the On/Off switch and trigger when changing the saw blade. There is danger of injury when the On/Off switch is unintentionally turned on.
- Ensure that the saw blade holder is free of material residue, such as wood shavings, when changing the saw blade.
- Hold the product firmly with one hand by the handle while sawing.
- Do not touch the hook, blade, or air vents while sawing.
- The saw blade may be hot after sawing. Allow the saw blade to cool down before touching it.
- Use the dust collection device or connect a dust extraction vacuum when operating the product.
- Information regarding the cutting capacity.
- Instruction on how to adjust the tool for different saw blade positions, if applicable.
- The product will restart automatically if stalled. Turn off the product immediately if it stalls. Do not turn on the product again while it is still stalled, as doing so could trigger a sudden recoil with a high reactive force. Determine why the product stalled, and rectify this, paying heed to the safety instructions.
- The ambient temperature range for the tool during operation is between 0°C and 40°C.
- The ambient temperature range for tool storage is between 0°C and 40°C.
- The recommended ambient temperature range for the charging system during charging is between 10°C and 38°C.

ADDITIONAL BATTERY SAFETY WARNINGS

WARNING

To reduce the risk of fire, personal injury, and product damage due to a short circuit, never immerse your tool, battery pack, or charger in fluid or allow a fluid to flow inside them. Corrosive or conductive fluids, such as seawater, certain industrial chemicals, and bleach or bleach-containing products, etc., can cause a short circuit.

- The ambient temperature range for battery during use is between 0°C and 40°C.
- The ambient temperature range for battery storage is between 0°C and 20°C.
- Segregate electronic waste properly by removing integrated battery packs from the main unit before disposal. Hand them over to applicable collection points.
- To remove the integrated battery pack, separate the housing shells from one another by removing the screws. Disconnect the battery pack from the circuit and remove.
- **NOTE:** When opened, the product is no longer reusable or serviceable and should be disposed of properly.
- Before removing the battery pack from the power tool, switch on the product until the battery pack is fully discharged.
- Ensure that the battery pack to be disposed of cannot come in contact with batteries, other battery packs, or conductive materials by protecting exposed connectors with insulating, non-conductive caps or tape.

TRANSPORTING LITHIUM BATTERIES

Transport the battery pack in accordance with local and national provisions and regulations.

Follow all the special requirements on packaging and labelling when transporting batteries by a third party. Ensure that no batteries can come in contact with other batteries or conductive materials while in transport by protecting exposed connectors with insulating, non-conductive caps or tape. Do not transport batteries that are cracked or leaking. Check with the forwarding company for further advice.

RESIDUAL RISKS

Even when the product is used as prescribed, it is still impossible to completely eliminate certain residual risk factors. The following hazards may arise, and the operator should pay special attention to avoid the following:

- injury caused by vibration
 - Use the lowest speed setting that achieves the cutting. Limit exposure. See "Risk reduction."
- injury caused by dust
 - Dust may enter the eyes or respiratory system. Wear eye protection at all times. Wear the appropriate dust-control mask with filters suitable for protecting against particles from the material being cut. Do not eat, drink, or smoke in the work area. Ensure adequate ventilation.

- injury caused by electric shock
 - The blade may contact hidden wiring, causing parts of the product to become live. Always hold the product by the designated handles, and take care when blind-cutting into walls and floors where cables may be hidden.
- injury caused by contact with the blade
 - The blades are very sharp and will become hot during use. Wear gloves when changing blades. Keep hands away from the cutting area at all times. Clamp the workpiece whenever possible.
- injury caused by noise
 - Noise can damage hearing. When using power tools for an extended period of time, wear hearing protection.

RISK REDUCTION

It has been reported that vibrations from handheld tools may contribute to a condition called Raynaud's Syndrome. Symptoms may include tingling, numbness, and blanching of the fingers, usually apparent upon exposure to cold. Hereditary factors, exposure to cold and dampness, diet, smoking, and work practices are all thought to contribute to the development of these symptoms. There are measures that can be taken by the operator to possibly reduce the effects of vibration:

- Keep your body warm in cold weather. When operating the product, wear gloves to keep the hands and wrists warm. It is reported that cold weather is a major factor contributing to Raynaud's Syndrome.
- After each period of operation, exercise to increase blood circulation.
- Take frequent work breaks. Limit the amount of exposure per day.

If you experience any of the symptoms of this condition, immediately discontinue use and see your physician.

WARNING

Injuries may be caused, or aggravated, by prolonged use of a tool. When using any tool for prolonged periods, ensure that you take regular breaks.

MAINTENANCE

WARNING

The product should never be connected to a power supply when assembling parts, making adjustments, cleaning, performing maintenance, or when the product is not in use. Disconnecting the product from the power supply prevents accidental starting that could cause serious injury.

WARNING

When servicing, use only original manufacturer's replacement parts, accessories, and attachments. Use of any other parts may create a hazard or cause product damage.

- Avoid using solvents when cleaning plastic parts. Most plastics are susceptible to various types of commercial solvents and may be damaged by their use. Use clean cloths to remove dirt, carbon dust, etc.

⚠ WARNING

Do not at any time let brake fluids, gasoline, petroleum-based products, penetrating oils, etc., come in contact with plastic parts. Chemicals can damage, weaken, or destroy plastic, which may result in serious personal injury.

⚠ WARNING

For greater safety and reliability, all repairs should be performed by an authorised service centre.

KNOW YOUR PRODUCT

See page 123.

Parts

1. Saw blade
2. Mounting clamp
3. Blade clamp lever
4. Trigger lock button
5. Trigger
6. Handle
7. Battery port

SYMBOLS ON THE PRODUCT

-  Safety alert
-  Read and understand all instructions before operating the product. Follow all warnings and safety instructions.
-  Wear hearing protection.
-  Wear eye protection.
-  Wear non-slip, heavy duty gloves.
-  Wear a mask.
-  Keep hands away from blades.
-  Do not expose the product to rain or damp condition.
-  Guaranteed sound power level is 94 dB



Waste electrical products should not be disposed of with household waste. Please recycle where facilities exist. Check with your local authority or retailer for recycling advice.



Conforms to all regulatory standards in the country in the EU where the product is purchased









EurAsian Conformity Mark



Ukrainian mark of conformity

SYMBOLS IN THIS MANUAL

-  Parts or accessories sold separately
-  Note
-  Warning
-  Danger! Sharp blade
-  Speed, minimum
-  Speed, maximum

The following signal words and meanings are intended to explain the levels of risk associated with this product:

⚠ DANGER

Indicates an imminently hazardous situation, which, if not avoided, will result in death or serious injury.

⚠ WARNING

Indicates a potentially hazardous situation, which, if not avoided, could result in death or serious injury.

⚠ CAUTION

Indicates a potentially hazardous situation, which, if not avoided, may result in minor or moderate injury.

CAUTION

(Without Safety Alert Symbol) Indicates a situation that may result in property damage.

Votre scie d'élagage sans fil a été conçue en donnant priorité à la sécurité, à la performance et à la fiabilité.

UTILISATION PRÉVUE

La scie d'élagage sans fil est uniquement conçue pour une utilisation par des adultes qui ont lu et compris les instructions et avertissements de cette notice et qui peuvent être considérés comme responsables de leurs actes.

Ce produit ne doit être utilisé qu'à l'extérieur dans une zone bien ventilée.

Le produit est conçu pour la coupe et l'élagage de petits branchages d'un diamètre inférieur ou égal à 80 mm.

Ce produit est conçu pour une utilisation à la main. Ce produit ne doit pas être monté sur un établi, à moins de disposer d'instructions spéciales à cet effet fournies par la fabricant du produit.

Utilisez ce produit pour aucun autre travail.

INDICATIONS GÉNÉRALES DE SÉCURITÉ POUR OUTILS ÉLECTRIQUES

⚠ AVERTISSEMENT

Lisez l'ensemble des instructions des mises en garde de sécurité, des illustrations et des spécifications fournies avec ce produit. Le non-respect des instructions présentées ci-après peut entraîner des accidents tels que des incendies, des chocs électriques et/ou des blessures corporelles graves.

Veillez conserver tous les avertissements et toutes les instructions pour pouvoir vous y reporter ultérieurement.

La notion d'« outil électrique » mentionnée dans les avertissements se rapporte à des outils électriques raccordés au secteur (avec câble de raccordement) et à des outils électriques fonctionnant sur batterie (sans câble de raccordement).

SÉCURITÉ DANS LA ZONE DE TRAVAIL

- **Maintenez la zone de travail propre et bien éclairée.** Un lieu de travail en désordre ou mal éclairé augmente le risque d'accidents.
- **N'utilisez pas l'outil électrique dans un environnement présentant des risques d'explosion et où se trouvent des liquides, des gaz ou poussières inflammables.** Les outils électriques génèrent des étincelles risquant d'enflammer les poussières ou les vapeurs.
- **Tenez les enfants et autres personnes éloignés durant l'utilisation de l'outil électrique.** En cas d'inattention vous risqueriez de perdre le contrôle de l'appareil.

SÉCURITÉ RELATIVE AU SYSTÈME ÉLECTRIQUE

- **La fiche de secteur de l'outil électrique doit être appropriée à la prise de courant. Ne modifiez en aucun cas la fiche. N'utilisez pas de fiches d'adaptateur avec des outils électriques avec mise à la terre.** Les fiches non modifiées et les prises de courant appropriées réduisent le risque de décharge électrique.

- **Évitez le contact physique avec des surfaces mises à la terre tels que tuyaux, radiateurs, fours et réfrigérateurs.** Le risque de décharge électrique est accru si votre corps est électriquement relié à la terre.
- **N'exposez pas l'outil électrique à la pluie ou à l'humidité.** La pénétration d'eau dans un outil électrique augmente le risque d'un choc électrique.
- **Ne malmenez pas le câble d'alimentation. N'utilisez jamais le cordon pour portez, tirer ou débrancher l'outil. Maintenez le câble éloigné des sources de chaleur, des parties grasses, des bords tranchants ou des parties de l'appareil en rotation.** Un câble endommagé ou torsadé augmente le risque de décharge électrique.
- **Au cas où l'outil électrique serait utilisé à l'extérieur, utilisez une rallonge appropriée pour les applications extérieures.** L'utilisation d'une rallonge électrique appropriée pour les applications extérieures réduit le risque de décharge électrique.
- **Si une utilisation de l'outil électrique dans un environnement humide ne peut pas être évitée, utilisez un disjoncteur différentiel.** Un disjoncteur différentiel réduit le risque de décharge électrique.

SÉCURITÉ DES PERSONNES

- **Restez vigilant, regardez ce que vous faites. Faites preuve de bon sens en lorsque vous utilisez l'outil électrique. N'utilisez pas un outil électrique lorsque vous êtes fatigué ou après avoir consommé de l'alcool, de la drogue ou avoir pris des médicaments.** Un moment d'inattention lors de l'utilisation de l'outil électrique peut entraîner de graves blessures.
- **Portez des équipements de protection. Portez toujours des lunettes de protection.** Afin d'éviter tout dommage corporel, il convient d'utiliser, dans les conditions appropriées, des équipements de protection tels qu'un masque anti-poussière, des chaussures de sécurité antidérapantes, un casque de sécurité et une protection auditive.
- **Évitez toute mise en service accidentelle. Assurez-vous que l'interrupteur est en position "arrêt" avant le raccordement au secteur et/ou l'insertion de la batterie, ainsi qu'avant de saisir ou de transporter l'outil.** Le transport d'un outil électrique avec votre doigt sur l'interrupteur ou la mise sous tension d'un outil dont l'interrupteur est en position "marche" est propice aux accidents.
- **Enlevez tout outil de réglage ou toute clé avant de mettre l'outil électrique en marche. Une clé ou un outil se trouvant sur une partie en rotation peut causer des blessures.** Le fait de porter l'outil électrique avec le doigt sur l'interrupteur ou de le brancher sur la source de courant lorsque l'outil électrique est en marche, peut entraîner des accidents.
- **Ne travaillez pas en extension. Gardez une position et un équilibre adaptés à tout moment.** Cela permet un meilleur contrôle de l'outil dans des situations inattendues.
- **Portez des vêtements appropriés. Ne pas portez de vêtements amples ni de bijoux. Maintenez vos**

cheveux, vos vêtements et vos gants éloignés des parties en mouvement. Des vêtements amples, des bijoux ou des cheveux longs peuvent être happés par des pièces en mouvement.

- **Si des dispositifs servant à aspirer ou à recueillir les poussières doivent être utilisés, vérifiez que ceux-ci soient effectivement raccordés et qu'ils sont correctement utilisés.** L'utilisation d'un dispositif d'aspiration des poussières peut réduire les dangers dus aux poussières.
- Ne relâchez pas votre vigilance en cas d'utilisation fréquente de certains outils et ne pas n'ignorez les principes de sécurité des outils. Une action imprudente peut entraîner de graves blessures en une fraction de seconde.

UTILISATION ET EMPLOI SOIGNEUX D'OUTILS ÉLECTRIQUES

- **Ne faites pas forcer l'outil. Utilisez l'outil électrique adapté au travail à effectuer.** Utilisez l'outil électrique approprié effectuera un meilleur travail dans de meilleures conditions de sécurité s'il est utilisé dans les limites de ses capacités.
- **N'utilisez pas un outil électrique dont l'interrupteur est défectueux.** Un outil électrique qui ne peut plus être mis en ou hors fonctionnement est dangereux et doit être réparé.
- **Débranchez la fiche secteur de la source de courant et/ou le bloc de batterie de l'outil électrique avant d'effectuer tout réglage, tout changement d'accessoire, et avant de le ranger.** Cette mesure de précaution empêche de mettre en marche. l'outil électrique par mégarde.
- **Rangez les outils à l'arrêt hors de la portée des enfants et ne laissez pas à des personnes qui ne sont pas familières l'outil ou les présentes instructions le faites fonctionner.** Les outils sont dangereux entre les mains d'utilisateurs novices.
- **Observez la maintenance des outils électriques et des accessoires. Vérifiez que les pièces en mouvement fonctionnent correctement et qu'elles ne sont pas coincées, et contrôlez si des pièces sont cassées ou endommagées de telle sorte que le bon fonctionnement de l'outil électrique s'en trouve entravé. Faites réparer ces pièces endommagées avant d'utilisez l'appareil.** De nombreux accidents sont dus à des outils électriques mal entretenus.
- **Maintenez les outils de coupe aiguisés et propres.** Des outils soigneusement entretenus avec des bords tranchants bien aiguisés se coincent moins souvent et peuvent être guidés plus facilement.
- **Utilisez l'outil, les accessoires et les lames etc., conformément à ces instructions, en tenant compte des conditions de travail et du travail à réaliser.** L'utilisation des outils électriques à d'autres fins que celles prévues peut entraîner des situations dangereuses.
- **Gardez les poignées et les surfaces de préhension sèches, propres et exemptes d'huile et de graisse.** Des poignées et des surfaces de préhension glissantes

ne permettent pas une manipulation et un contrôle de l'outil en toute sécurité en cas de situation imprévue.

UTILISATION ET EMPLOI SOIGNEUX DES OUTILS ÉLECTRIQUES SANS FIL

- **Ne chargez les blocs de batterie que dans des chargeurs recommandés par le fabricant.** Un chargeur approprié à un type spécifique de batterie peut engendrer un risque d'incendie lorsqu'il est utilisé avec une autre batterie.
- **Dans les outils électriques, n'utilisez que les blocs de batterie spécialement prévus pour ceux-ci.** L'utilisation de tout autre bloc de batterie peut entraîner des blessures et des risques d'incendie.
- **Lorsque le bloc de batterie n'est pas utilisé, éloignez-le des autres objets métalliques tels que trombones, pièces de monnaie, clés, clous, vis, ou autres petits objets susceptibles de court-circuiter les bornes de la batterie.** Un court-circuit entre les contacts de batterie peut provoquer des brûlures ou un incendie.
- **En cas d'utilisation abusive, du liquide peut sortir du bloc de batterie. Évitez tout contact avec ce liquide. En cas de contact accidentel, rincez soigneusement avec de l'eau. En cas de contact avec les yeux, consultez également un médecin.** Le liquide qui sort du bloc de batterie peut entraîner des irritations de la peau ou causer des brûlures.
- **N'utilisez pas un outil ou un bloc de batterie endommagé ou modifié.** Des batteries endommagées ou modifiées peuvent présenter un comportement imprévisible pouvant causer un incendie, une explosion ou un risque de blessure.
- **N'exposez pas un outil ou un bloc de-batterie au feu ou à des températures excessives.** L'exposition au feu ou à des températures supérieures à 130 °C peut provoquer une explosion.
- **Suivez toutes les instructions de chargement et ne chargez pas l'outil ou le bloc de batterie en dehors de la plage de températures spécifiée dans les instructions.** Un chargement incorrect ou à des températures en dehors de la plage spécifiée peut endommager la batterie et augmenter le risque d'incendie.

TRAVAUX D'ENTRETIEN

- **Ne faites réparer l'outil électrique que par du personnel qualifié et seulement avec des pièces de rechange d'origine.** Ceci permet d'assurer la sécurité de l'appareil.
- **Ne procédez jamais à l'entretien des blocs de batterie endommagés.** L'entretien des blocs de batterie ne peut être effectué que par le fabricant ou des prestataires agréés.

MISES EN GARDE DE SÉCURITÉ CONCERNANT LA SCIE D'ÉLAGAGE SANS FIL

- Lorsque vous effectuez une opération où l'accessoire de coupe risque d'entrer en contact avec un câble électrique caché, maintenez l'outil par ses surfaces



isolées. Un accessoire de coupe qui entre en contact avec un câble « sous tension » est susceptible de véhiculer le courant électrique vers les parties métalliques de l'outil et de d'exposer l'opérateur à une décharge électrique.

- Utilisez des serre-joints ou autre dispositif pratique pour bloquer et maintenez la pièce à usiner sur un support stable. Le maintien de la pièce à usiner à la main ou contre le corps est instable et peut entraîner une perte de contrôle.
- N'approchez pas les mains de la zone de coupe. Ne tentez pas d'atteindre le dessous de l'élément à couper. Tout contact avec la lame de la scie pourrait provoquer des blessures.
- Lors du montage de la lame de la scie, portez des gants de protection II y a un risque de blessure en cas de contact avec la lame.
- Lors du changement de lame, ne pas tenez le produit avec une main sur ou autour de l'interrupteur de marche/arrêt et de la gâchette II y a un risque de blessure en cas d'activation accidentelle de l'interrupteur de marche/arrêt.
- Lorsque vous changez la lame de scie, assurez-vous que le système de fixation de la lame est exempt de résidus de coupe, tels que des copeaux de bois ou de métal.
- Lors de l'utilisation de la scie, tenez fermement le produit d'une main, par la poignée.
- En sciant, veillez à ne pas toucher le crochet, la lame ou les événements.
- La lame de la scie peut être très chaude après utilisation. Laissez la lame de la scie refroidir avant de la toucher.
- Utilisez le dispositif de collecte des poussières ou raccordez un aspirateur d'extraction des poussières lorsque vous utilisez le produit.
- Informations concernant la capacité de coupe.
- Instruction concernant la façon d'ajuster l'outil pour différentes positions de lame de scie, le cas échéant.
- Le produit redémarrera automatiquement s'il a calé. Arrêtez immédiatement le produit s'il cale. Ne remettez pas le produit en marche tant qu'il est bloqué. Ceci risquerait de déclencher un recul soudain, avec une force réactive élevée. Identifiez pourquoi le produit a calé et corrigez le problème, en tenant compte des instructions de sécurité.
- La plage de température ambiante pour l'outil en fonctionnement se situe entre 0°C et 40°C.
- La plage de température ambiante pour l'entreposage de l'outil se situe entre 0°C et 40°C.
- La plage de température ambiante recommandée pour le système de chargement en fonctionnement se situe entre 10°C et 38°C.

MISES EN GARDE DE SÉCURITÉ SUPPLÉMENTAIRES CONCERNANT LA BATTERIE

AVERTISSEMENT

Pour réduire le risque d'incendie, de blessures ou d'endommagement du produit causé par un court-circuit, n'immergez jamais l'outil, le bloc de batterie ou le chargeur dans du liquide, et ne laissez jamais de liquide pénétrer dans aucun d'entre eux. Les fluides corrosifs ou conducteurs, tels que l'eau de mer, certains produits chimiques industriels, les produits de blanchiment ou contenant des agents de blanchiment, etc. peuvent provoquer un court-circuit.

- La plage de température ambiante pour la batterie en utilisation se situe entre 0°C et 40°C.
- La plage de température ambiante pour l'entreposage de la batterie se situe entre 0°C et 20°C.
- Séparez correctement les déchets électroniques en retirant les blocs de batterie des appareils avant la mise au rebut. Apportez-les à un point de collecte approprié.
- Pour retirez le bloc de batterie intégré, retirez les vis de façon à séparer les coques du boîtier l'une de l'autre. Débranchez le bloc de batterie du circuit et retirez-le.
- **REMARQUE:** Une fois ouvert, le produit n'est ni utilisable ni réparable et doit être jeté de façon appropriée.
- Avant de retirez le bloc de batterie de l'outil électrique, mettez le produit en marche jusqu'à ce que le bloc de batterie soit complètement déchargé.
- Assurez-vous que le bloc de batterie à mettre au rebut ne puisse pas entrer en contact avec des piles, d'autres blocs de batterie, ou des matériaux conducteurs en protégeant les contacts nus avec des capuchons isolants ou avec du ruban adhésif.

TRANSPORT DES BATTERIES AU LITHIUM

Transportez les batteries en conformité avec les dispositions et règlements locaux et nationaux.

Respectez toutes les exigences légales particulières concernant l'emballage et l'étiquetage des batteries lorsque vous confiez leur transport à un tiers. Assurez-vous qu'aucune batterie ne puisse entrer en contact avec une autre batterie ou avec des matériaux conducteurs lors de son transport en isolant les bornes électriques avec du ruban adhésif ou des capuchons isolants. Ne transportez pas une batterie qui serait fendue ou qui fuirait. Demandez conseil au transporteur pour de plus amples informations.

RISQUES RÉSIDUELS

Même lorsque le produit est utilisé selon les prescriptions, il reste impossible d'éliminer totalement certains facteurs de risque résiduels. Les dangers suivants risquent de se présenter en cours d'utilisation et l'utilisateur doit prêter particulièrement garde à ce qui suit:

- Blessures dues aux vibrations
 - Utilisez le plus bas réglage de vitesse permettant d'effectuer la coupe souhaitée. Limitez le temps



d'exposition. Consultez le paragraphe « Réduction des risques » dans ce manuel.

- Blessures dues à la poussière
 - De la poussière pourrait entrer dans les yeux ou dans le système respiratoire. Portez en permanence une protection oculaire. Portez un masque anti-poussière adéquat et doté de filtres, capable d'assurer une protection contre les particules de matériau coupé. Ne mangez pas, ne buvez pas, et ne fumez pas dans l'espace de travail. Assurez une ventilation adéquate.
- Blessure causée par une décharge électrique
 - La lame est susceptible d'entrer en contact avec des câbles électriques cachés et de mettre ainsi certaines parties du produit « sous tension ». Tenez toujours le produit par les poignées destinées à cet effet et prenez garde lors des coupes aveugles dans les murs et dans les sols susceptibles de contenez des câbles cachés.
- Blessures dues à l'entrée en contact avec les lames de coupe.
 - Les lames sont très coupantes et deviennent très chaudes en cours de fonctionnement. Portez des gants lorsque vous changez de lame. Gardez en permanence vos mains éloignées de la zone de coupe. Fixez la pièce à usiner lorsque cela est possible.
- Blessures dues au bruit.
 - Le bruit peut endommager l'audition. Lorsque vous utilisez des outils à moteur pendant une longue période de temps, portez une protection auditive.

RÉDUCTION DES RISQUES

Il a été reporté que les vibrations engendrées par les outils tenus à la main peuvent contribuer à l'apparition d'un état appelé le syndrome de Raynaud chez certaines personnes. Les symptômes peuvent comprendre des fourmillements, un engourdissement et un blanchiment des doigts, généralement par temps froid. Des facteurs héréditaires, l'exposition au froid et à l'humidité, le régime alimentaire, le tabagisme et les habitudes de travail peuvent contribuer au développement de ces symptômes. Certaines mesures peuvent être prises par l'utilisateur pour aider à réduire les effets des vibrations:

- Gardez votre corps au chaud par temps froid. Lorsque vous utilisez le produit, portez des gants afin de garder vos mains et vos poignets au chaud. Le temps froid est considéré comme un facteur contribuant très largement à l'apparition du syndrome de Raynaud.
- Après chaque session de travail, pratiquez des exercices qui favorisent la circulation sanguine.
- Faites des pauses fréquentes. Limitez le temps d'exposition journalier.

Si vous ressentez l'un des symptômes associés à ce syndrome, arrêtez immédiatement le travail et consultez votre médecin pour lui en faites part.

⚠ AVERTISSEMENT

L'utilisation prolongée d'un outil est susceptible de provoquer ou d'aggraver des blessures. Assurez-vous de faites des pauses de façon régulière lorsque vous utilisez tout outil de façon prolongée.

ENTRETIEN

⚠ AVERTISSEMENT

Votre scie d'élagage ne doit jamais être branchée à une prise lorsque vous montez des accessoires, effectuez des réglages, lorsque vous la nettoyez ou lorsque vous ne l'utilisez pas. Déconnecter le produit de l'alimentation électrique empêche les démarrages accidentels qui peuvent causer des blessures graves.

⚠ AVERTISSEMENT

Pour la maintenance, utilisez uniquement des pièces de rechange, des accessoires et des raccordements d'origine du fabricant. L'utilisation de toute autre pièce peut être dangereuse et entraîner des dommages matériels.

- Évitez d'utiliser des solvants pour nettoyer les parties en plastique. La plupart des plastiques sont susceptibles d'être endommagés par un grand nombre de solvants du commerce. Utilisez un chiffon propre pour essuyer les impuretés, la poussière, etc.

⚠ AVERTISSEMENT

Ne laissez jamais du liquide de frein, de l'essence, des produits pétroliers, des huiles pénétrantes, etc. entrer en contact avec les éléments en plastique. Les produits chimiques peuvent endommager, affaiblir ou détruire les plastiques, ce qui peut entraîner de graves blessures.

⚠ AVERTISSEMENT

Pour plus de sécurité et de fiabilité, toutes les réparations doivent être effectuées par un centre de service agréé.

APPRENEZ À CONNAÎTRE VOTRE PRODUIT

Voir page 123.

Pièces


1. Lame de sciage
2. Collier de montage
3. Levier du collier de lame
4. Bouton de verrouillage de la gâchette
5. Gâchette
6. Poignée
7. Port de à la batterie

SYMBLES APPLIQUES SUR LE PRODUIT

-  Alerte de sécurité
-  Lisez et comprenez toutes les instructions avant d'utiliser le produit. Respectez l'ensemble des avertissements et consignes de sécurité.
-  Portez une protection auditive.
-  Portez une protection oculaire.
-  Portez des gants de protection solides et antidérapants.
-  Portez un masque.
-  Gardez vos mains à l'écart des lames.
-  N'exposez pas ce produit à la pluie ou à des conditions humides.
-  Niveau de puissance sonore garanti 94 dB
-  Les produits électriques hors d'usage ne doivent pas être jetés avec les ordures ménagères. Recyclez-les par l'intermédiaire des structures disponibles. Contactez les autorités locales ou votre distributeur pour vous renseigner sur les conditions de recyclage.
-  Cet outil est conforme à l'ensemble des normes réglementaires du pays de l'UE où il a été acheté.
-  Marque de conformité d'Eurasie
-  Marque de conformité ukrainienne
001

 Remarque

 Avertissement

 Danger! Lame tranchante

 Vitesse, minimum

 Vitesse, maximum

Les symboles suivants, et les noms qui leur sont associés, permettent d'expliquer les différents niveaux de risques liés à l'utilisation de cet outil.

⚠ DANGER
Imminence d'un danger qui, si l'on n'y prend garde, peut entraîner la mort ou des blessures graves.

⚠ AVERTISSEMENT
Situation potentiellement dangereuse qui, si l'on n'y prend garde, peut entraîner la mort ou des blessures graves.

⚠ ATTENTION
Situation potentiellement dangereuse qui, si l'on n'y prend garde, peut entraîner des blessures moyennes ou légères.

ATTENTION
(Sans symbole d'alerte de sécurité) Indique une situation pouvant entraîner des dommages matériels.

SYMBLES DE CE MANUEL

 Pièces détachées et accessoires vendus séparément

Sicherheit, Leistung und Zuverlässigkeit hatten oberste Priorität bei der Entwicklung Ihrer Akku-Baumsäge.

BESTIMMUNGSGEMÄSSE VERWENDUNG

Die Akku-Baumsäge ist ausschließlich zur Nutzung durch Erwachsene konzipiert, die die Anleitung und die Sicherheitshinweise in diesem Handbuch gelesen und verstanden haben und als für ihre Handlungen verantwortlich betrachtet werden können.

Das Produkt ist ausschließlich zur Verwendung in einem gut belüfteten Bereich im Freien vorgesehen.

Das Gerät wurde zum Schneiden und Stutzen kleiner Äste und Zweige mit einem Durchmesser von maximal 80 mm entwickelt.

Das Produkt soll beim Einsatz in der Hand gehalten werden. Das Produkt darf nur an der Werkbank befestigt werden, wenn spezielle Anweisungen vom Produkthersteller erhalten wurden.

Es darf zu keinen anderen Zwecken verwendet werden.

ALLGEMEINE SICHERHEITSHINWEISE FÜR ELEKTROWERKZEUGE

WARNUNG

Lesen Sie alle Sicherheitshinweise, Anleitungen, Illustrationen und Spezifikationen zu diesem Gerät.

Versäumnisse bei der Einhaltung der Sicherheitshinweise und Anweisungen können elektrischen Schlag, Brand und/oder schwere Verletzungen verursachen.

Bewahren Sie alle Sicherheitshinweise und Anweisungen für die Zukunft auf.

Der in den Sicherheitshinweisen verwendete Begriff „Elektrowerkzeug“ bezieht sich auf netzbetriebene Elektrowerkzeuge (mit Netzkabel) und auf akkubetriebene Elektrowerkzeuge (ohne Netzkabel).

ARBEITSPLATZSICHERHEIT

- **Halten Sie Ihren Arbeitsbereich sauber und gut beleuchtet.** Unordnung oder unbeluchtete Arbeitsbereiche können zu Unfällen führen.
- **Arbeiten Sie mit dem Elektrowerkzeug nicht in explosionsgefährdeter Umgebung, in der sich brennbare Flüssigkeiten, Gase oder Stäube befinden.** Elektrowerkzeuge erzeugen Funken, die den Staub oder die Dämpfe entzünden können.
- **Halten Sie Kinder und andere Personen während der Benutzung des Elektrowerkzeugs fern.** Bei Ablenkung können Sie die Kontrolle über das Gerät verlieren.

ELEKTRISCHE SICHERHEIT

- **Der Anschlussstecker des Elektrowerkzeuges muss in die Steckdose passen. Der Stecker darf in keiner Weise verändert werden. Verwenden Sie keine Adapterstecker gemeinsam mit schutzgeerdeten Elektrowerkzeugen.** Unveränderte Stecker und passende Steckdosen verringern das Risiko eines elektrischen Schlages!

- **Vermeiden Sie Körperkontakt mit geerdeten Oberflächen wie von Rohren, Heizungen, Herden und Kühlschränken.** Es besteht ein erhöhtes Risiko durch elektrischen Schlag, wenn Ihr Körper geerdet ist.
- **Halten Sie Elektrowerkzeuge von Regen oder Nässe fern.** Das Eindringen von Wasser in ein Elektrowerkzeug erhöht das Risiko eines elektrischen Schlages.
- **Das Stromkabel nicht überstrapazieren. Verwenden Sie das Kabel niemals, um das Werkzeug damit zu tragen, zu ziehen oder den Stecker aus der Steckdose zu ziehen. Halten Sie das Kabel fern von Hitze, Öl, scharfen Kanten, oder sich bewegenden Geräteteilen.** Beschädigte oder verwickelte Kabel erhöhen das Risiko eines elektrischen Schlages.
- **Wenn Sie mit einem Elektrowerkzeug im Freien arbeiten, verwenden Sie nur Verlängerungskabel, die auch für den Außenbereich geeignet sind.** Die Anwendung eines für den Außenbereich geeigneten Verlängerungskabels verringert das Risiko eines elektrischen Schlages.
- **Wenn der Betrieb des Elektrowerkzeuges in feuchter Umgebung nicht vermeidbar ist, verwenden Sie einen Fehlerstromschutzschalter.** Der Einsatz eines Fehlerstromschutzschalters vermindert das Risiko eines elektrischen Schlages.

SICHERHEIT VON PERSONEN

- **Seien Sie aufmerksam, achten Sie darauf, was Sie tun und gehen Sie mit Vernunft an die Arbeit mit einem Elektrowerkzeug. Benutzen Sie kein Elektrowerkzeug, wenn Sie müde sind oder unter dem Einfluss von Drogen, Alkohol oder Medikamenten stehen.** Ein Moment der Unachtsamkeit beim Gebrauch des Elektrowerkzeuges kann zu ernsthaften Verletzungen führen.
- **Verwenden Sie Schutzausrüstung. Immer eine Schutzbrille.** Schutzausrüstung wie Staubmasken, rutschfeste Schuhe, Schutzhelm oder Gehörschutz, die unter entsprechenden Bedingungen verwendet werden, reduzieren die Verletzungsgefahr.
- **Vermeiden Sie eine unbeabsichtigte Inbetriebnahme. Vergewissern Sie sich, dass das Elektrowerkzeug ausgeschaltet ist, bevor Sie es an die Stromversorgung und/oder den Akku anschließen, es aufnehmen oder tragen.** Wenn Sie beim Tragen des Elektrowerkzeuges den Fingern am Schalter haben oder das Gerät eingeschaltet an die Stromversorgung anschließen, kann dies zu Unfällen führen.
- **Entfernen Sie Einstellwerkzeuge oder Schraubenschlüssel, bevor Sie das Elektrowerkzeug einschalten.** Ein Werkzeug oder Schlüssel, der sich in einem drehenden Geräteteil befindet, kann zu Verletzungen führen.
- **Vermeiden Sie eine abnormale Körperhaltung. Sorgen Sie für einen sicheren Stand und halten Sie jederzeit das Gleichgewicht.** Dadurch können Sie das Elektrowerkzeug in unerwarteten Situationen besser kontrollieren.



- **Tragen Sie geeignete Kleidung. Tragen Sie keine locker sitzende Kleidung oder Schmuck. Halten Sie Haare, Kleidung und Handschuhe von beweglichen Teilen fern.** Lockere Kleidung, Schmuck oder lange Haare können von sich bewegenden Teilen erfasst werden.
- **Wenn Staubabsaug- und -auffangeinrichtungen montiert werden können, vergewissern Sie sich, dass diese angeschlossen sind und richtig verwendet werden.** Verwendung einer Staubabsaugung kann Gefährdungen durch Staub verringern.
- **Wiegen Sie sich nicht in falscher Sicherheit und setzen Sie sich nicht über die Sicherheitsregeln für Elektrowerkzeuge hinweg, auch wenn sie nach vielfachem Gebrauch mit dem Elektrowerkzeug vertraut sind.** Eine unvorsichtige Aktion kann in einem Sekundenbruchteil eine schwere Verletzung verursachen.

VERWENDUNG UND BEHANDLUNG DES ELEKTROWERKZEUGES

- **Überlasten Sie das Gerät nicht. Verwenden Sie für Ihre Arbeit das dafür bestimmte Elektrowerkzeug.** Mit dem passenden Elektrowerkzeug arbeiten Sie besser und sicherer im angegebenen Leistungsbereich.
- **Benutzen Sie kein Elektrowerkzeug, dessen Schalter defekt ist.** Ein Elektrowerkzeug, das sich nicht mehr ein- oder ausschalten lässt, ist gefährlich und muss repariert werden.
- **Ziehen Sie den Netzstecker aus der Steckdose und/oder nehmen den Akku aus dem Elektrowerkzeug, bevor Sie irgendwelchen Einstellungen vornehmen, Zubehör wechseln oder Elektrowerkzeuge lagern.** Diese Vorsichtsmaßnahme verhindert den unbeabsichtigten Start des Elektrowerkzeuges.
- **Bewahren Sie unbenutzte Elektrowerkzeuge außerhalb der Reichweite von Kindern auf. Lassen Sie Personen das Gerät nicht benutzen, die mit diesem nicht vertraut sind oder diese Anweisungen nicht gelesen haben.** Elektrowerkzeuge sind gefährlich, wenn sie von unerfahrenen Personen benutzt werden.
- **Pflegen Sie Elektrowerkzeuge und Einsatzwerkzeug mit Sorgfalt. Kontrollieren Sie, ob bewegliche Teile einwandfrei funktionieren und nicht klemmen, ob Teile gebrochen oder so beschädigt sind, dass die Funktion des Elektrowerkzeuges beeinträchtigt ist. Lassen Sie beschädigte Teile vor dem Einsatz des Gerätes reparieren.** Viele Unfälle haben ihre Ursache in schlecht gewarteten Elektrowerkzeugen.
- **Halten Sie Schneidwerkzeuge scharf und sauber.** Sorgfältig gepflegte Schneidwerkzeuge mit scharfen Schneidkanten verklemmen sich weniger und sind leichter zu führen.
- **Verwenden Sie Elektrowerkzeug, Zubehör, Einsatzwerkzeuge usw. entsprechend diesen Anweisungen. Berücksichtigen Sie dabei die Arbeitsbedingungen und die auszuführende Tätigkeit.** Der Gebrauch von Elektrowerkzeugen für andere als die vorgesehenen Anwendungen kann zu

gefährlichen Situationen führen.

- **Halten Sie die Griffe und Griffflächen trocken, sauber und frei von Öl und Schmierstoffen.** Rutschige Griffe und Griffflächen verhindern die sichere Bedienung und Kontrolle des Werkzeugs in unerwarteten Situationen.

VERWENDUNG UND BEHANDLUNG DES AKKUWERKZEUGES

- **Laden Sie die Akkus nur in Ladegeräten auf, die vom Hersteller empfohlen werden.** Für ein Ladegerät, das für eine bestimmte Art von Akku geeignet ist, besteht Brandgefahr, wenn es mit anderen Akku verwendet wird.
- **Verwenden Sie nur die dafür vorgesehenen Akkus in den Elektrowerkzeugen.** Der Gebrauch von anderen Akku kann zu Verletzungen und Brandgefahr führen.
- **Halten Sie Akku, die nicht benutzt werden, von anderen Metallobjekten wie Büroklammern, Münzen, Schlüsseln, Nägeln, Schrauben oder anderen kleinen Metallobjekten, die eine Verbindung zwischen den Polen herstellen könnten, fern.** Ein Kurzschluss zwischen den Akkukontakten kann Verbrennungen oder Feuer zur Folge haben.
- **Bei falscher Anwendung kann Flüssigkeit aus dem Akku austreten. Vermeiden Sie den Kontakt damit. Bei zufälligem Kontakt mit Wasser abspülen. Wenn die Flüssigkeit in die Augen kommt, nehmen Sie zusätzlich ärztliche Hilfe in Anspruch.** Austretende Akkuflüssigkeit kann zu Hautreizungen oder Verbrennungen führen.
- **Verwenden Sie keinen beschädigten oder modifizierten Akkupack oder Werkzeuge.** Beschädigte oder veränderte Akkus können sich unvorhersehbar verhalten und zu Feuer, Explosion oder Verletzungsgefahr führen.
- **Setzen Sie Akkus oder Werkzeuge nicht Feuer oder zu hohen Temperaturen aus.** Feuereinwirkung oder Temperaturen über 130 °C können zu einer Explosion führen.
- **Befolgen Sie alle Ladeanweisungen und laden Sie den Akkupack nicht außerhalb des in der Anleitung angegebenen Temperaturbereichs auf.** Bei unsachgemäßer Aufladung oder Aufladung bei Temperaturen außerhalb des angegebenen Bereichs kann der Akku beschädigt und das Brandrisiko erhöht werden.

SERVICE

- **Lassen Sie Ihr Elektrowerkzeug nur von qualifiziertem Fachpersonal und nur mit Original-Ersatzteilen reparieren.** Damit wird sichergestellt, dass die Sicherheit des Elektrowerkzeuges erhalten bleibt.
- **Warten Sie niemals beschädigte Akkus.** Sämtliche Wartung von Akkus sollte nur durch den Hersteller oder bevollmächtigte Kundendienststellen erfolgen.



SICHERHEITSHINWEISE ZUR AKKU-BAUMSÄGE

- Halten Sie das Gerät an den isolierten Griffflächen, wenn Sie Arbeiten ausführen, bei denen das Einsatzwerkzeug verborgene Stromleitungen treffen kann. Der Kontakt mit einer spannungsführenden Leitung kann auch metallene Geräteteile unter Spannung setzen und zu einem elektrischen Schlag führen.
- Benutzen Sie Klemmen oder andere geeignete Methoden und Stützen, um das Werkzeug an einem stabilen Unterbau zu sichern und stützen. Halten des Werkstücks mit der Hand oder gegen den Körper führt zu Instabilität und möglichem Kontrollverlust.
- Halten Sie die Hände außerhalb des Sägebereichs. Greifen Sie nicht unter das Werkstück! Das Berühren des Sägeblatts kann zu Verletzungen führen.
- Tragen Sie beim Einsetzen des Sägeblatts Schutzhandschuhe. Beim Berühren des Sägeblatts besteht Verletzungsgefahr.
- Halten Sie das Gerät beim Auswechseln nicht mit einer Hand am oder in der Nähe des Ein/Aus-Schalters und des Auslösers. Wenn der Ein/Aus-Schalter versehentlich eingeschaltet wird, besteht Verletzungsgefahr.
- Wenn Sie das Sägeblatt wechseln, stellen Sie sicher, dass der Sägeblatthalter frei von Ablagerungen, wie Holz- oder Metallspänen, ist
- Halten Sie das Gerät während des Sägens mit einer Hand fest am Griff.
- Berühren Sie während des Sägens weder den Haken, noch das Sägeblatt oder die Entlüftung.
- Nach dem Sägen kann das Sägeblatt heiß sein. Lassen Sie das Sägeblatt abkühlen, bevor Sie es berühren.
- Verwenden Sie die Staubsammelvorrichtung oder schließen eine Staubabsaugung an, wenn Sie das Produkt bedienen.
- Informationen zur Schneidekapazität.
- Anleitung zum Einstellen des Werkzeugs auf unterschiedliche Positionen des Sägeblatts, sofern anwendbar.
- Das Produkt wird nach einem Stillstand automatisch neu gestartet. Wenn das Gerät blockiert, schalten Sie es sofort aus. Schalten Sie das Gerät nicht erneut ein, während es blockiert ist, um einen plötzlichen Rückstoß mit einer hohen Reaktionskraft zu verhindern. Bestimmen Sie die Ursache des Stillstands des Produkts und beheben Sie das Problem unter Beachtung der Sicherheitshinweise.
- Der Umgebungstemperaturbereich für das Werkzeug (Produkt) während des Betriebs liegt zwischen 0 °C und 40 °C.
- Der Umgebungstemperaturbereich für die Lagerung des Werkzeugs liegt zwischen 0 °C und 40 °C.
- Der empfohlene Umgebungstemperaturbereich für das Ladesystem während des Ladevorgangs liegt zwischen 10 °C und 38 °C.

WEITERE SICHERHEITSHINWEISE ZUM AKKU

⚠ WARNUNG

Um die durch einen Kurzschluss verursachte Gefahr eines Brandes, von Verletzungen oder Produktbeschädigungen zu vermeiden, tauchen Sie das Werkzeug, den Wechselakku oder das Ladegerät nicht in Flüssigkeiten ein und sorgen Sie dafür, dass keine Flüssigkeiten in die Geräte und Akkus eindringen. Korrodierende oder leitfähige Flüssigkeiten, wie Salzwasser, bestimmte Chemikalien und Bleichmittel oder Produkte, die Bleichmittel enthalten, können einen Kurzschluss verursachen.

- Der Umgebungstemperaturbereich für die Batterie während des Gebrauchs liegt zwischen 0 °C und 40 °C.
- Der Umgebungstemperaturbereich für die Lagerung der Batterie liegt zwischen 0 °C und 20 °C.
- Trennen Sie elektronischen Abfall, indem Sie eingebaute Akkus vor der Entsorgung von dem Hauptgerät entfernen. Übergeben Sie sie an passenden Sammelzentren.
- Um den integrierten Akku zu entnehmen, trennen Sie die Gehäuseschalen, indem Sie die Schrauben entfernen. Trennen Sie den Akku von dem Schaltkreis und entfernen ihn.
- **HINWEIS:** Wenn das Produkt geöffnet ist, kann es nicht mehr verwendet werden und sollte ordnungsgemäß entsorgt werden.
- Schalten Sie das Produkt vor dem Entfernen des Akkus aus dem Elektrowerkzeug an, bis der Akku vollständig entleert ist.
- Stellen Sie sicher, dass der zu entsorgende Akku nicht in Kontakt mit Batterien, anderen Akkus oder leitendem Material kommt, indem Sie die freiliegenden Anschlüsse mit isolierenden Abdeckungen oder Klebeband abdecken.

TRANSPORT VON LITHIUM-IONEN-AKKUS

Transportieren Sie Akkus gemäß Ihren örtlichen und nationalen Bestimmungen und Regeln.

Befolgen Sie alle besonderen Anforderungen für Verpackung und Beschriftung, wenn Sie Akkus von Dritten transportieren lassen. Stellen Sie sicher, dass beim Transport kein Akku in Kontakt mit anderen Akkus oder leitenden Materialien kommt, indem Sie die freien Anschlüsse mit Isolierband, nichtleitenden Kappen oder Klebeband schützen. Beschädigte oder auslaufende Akkus dürfen nicht transportiert werden. Weitere Informationen erhalten Sie bei Ihrem Transportunternehmen.

RESTRISIKEN

Sogar wenn das Produkt wie vorgeschrieben benutzt wird, ist es unmöglich ein gewisses Restrisiko vollständig zu beseitigen. Die folgenden Gefahren können bei der Benutzung entstehen, und der Benutzer sollte besonders auf folgende Punkte achten:

- Durch Vibrationen verursachte Verletzungen.

- Verwenden Sie die niedrigste Geschwindigkeitsstufe, bei der der Schnitt erreicht wird. Begrenzen Sie die Belastung. Siehe Abschnitt „Risikominderung“ in diesem Handbuch.
- Durch Staub verursachte Verletzungen.
 - Staub kann in die Augen oder das Atemsystem gelangen. Tragen Sie immer einen Augenschutz. Tragen Sie eine angemessene Staubschutzmaske mit den geeigneten Filtern zum Schutz vor Partikeln des zu schneidenden Materials. Essen, trinken oder rauchen Sie nicht in dem Arbeitsbereich. Gewährleisten Sie eine angemessene Belüftung.
- Verletzungen durch Stromschläge
 - Die Sägeblatt kann in Kontakt mit versteckten Kabeln kommen und dadurch Teile des Produktes unter Strom stehen. Halten Sie das Produkt immer an den vorgesehenen Griffen und seien Sie vorsichtig, wenn Sie in Wänden oder Böden sägen, wo Sie möglicherweise versteckte Kabel nicht sehen können.
- Durch Kontakt mit dem Schneidwerkzeug verursachte Verletzung
 - Die Sägeblätter sind sehr scharf und werden bei Benutzung heiß. Tragen Sie Handschuhe beim Wechseln von Sägeblättern.. Halten Sie Ihre Hände immer von dem Sägebereich fern. Klemmen Sie das Werkstück wann immer möglich fest.
- Durch Lärm verursachte Verletzungen.
 - Lärm kann das Gehör schädigen. Tragen Sie einen Gehörschutz, wenn Sie Elektrowerkzeug für längere Zeit benutzen.

RISIKOVERRINGERUNG

Vibrationen von in der Hand gehaltenen Werkzeugen können bei einigen Personen zu einem Zustand, der Raynaud-Syndrom genannt wird, führen. Symptome sind u.a. Kribbeln, Taubheitsgefühl und episodische Weißfärbung der Finger und treten normalerweise bei Kälte auf. Man geht davon aus, dass ererbte Faktoren, Kälte und Feuchtigkeit, Essgewohnheiten, Rauchen und Arbeitsweise zur Entwicklung dieser Symptome beitragen. Der Anwender kann Maßnahmen ergreifen, um die Auswirkungen der Vibrationen möglicherweise zu verringern:

- Halten Sie den Körper bei Kälte warm. Tragen Sie beim Betrieb des Produkts Handschuhe, um Hände und Handgelenke warm zu halten. Berichten zu Folge ist kaltes Wetter ein wesentlicher Faktor, der zum Raynaud Syndrom beiträgt.
- Betätigen Sie sich nach jedem Einsatz körperlich, um den Blutkreislauf zu steigern.
- Machen Sie regelmäßig Pausen. Beschränken Sie die Beanspruchung pro Tag.

Sollten bei Ihnen Symptome dieses Zustands auftreten, stellen Sie unverzüglich den Betrieb ein und suchen Sie in Hinsicht auf die Symptome einen Arzt auf.

⚠️ WARNUNG

Verletzungen können durch lange Benutzung eines Werkzeugs entstehen oder verschlimmert werden. Machen Sie regelmäßig Pause, wenn Sie ein Werkzeug für lange Zeit benutzen.

WARTUNG UND PFLEGE

⚠️ WARNUNG

Ihre Schleifmaschine darf niemals an eine Steckdose angeschlossen sein, wenn Sie Teile montieren, Einstellungen vornehmen, Ihr Gerät reinigen oder wenn Sie es zur Zeit nicht verwenden. Das Trennen des Produkts von der Stromversorgung verhindert einen unbeabsichtigten Start, der zu schweren Verletzungen führen kann.

⚠️ WARNUNG

Verwenden Sie bei der Wartung nur Ersatzteile, Zubehör und Anbauteile des Original-Herstellers. Die Benutzung ungeeigneter Ersatzteile könnte schweren Sachschaden entstehen lassen.

- Vermeiden Sie beim Reinigen der Plastikteile den Einsatz von Lösungsmitteln. Die meisten Kunststoffe können durch im Handel erhältliche Lösungsmittel beschädigt werden. Verwenden Sie einen sauberen Lappen für die Reinigung von Verschmutzungen, Kohlenstaub usw.

⚠️ WARNUNG

Lassen Sie niemals Bremsflüssigkeiten, Benzine, Produkte auf Erdölbasis, Rostlöser usw. mit den Plastikteilen in Kontakt geraten. Chemikalien können Plastik beschädigen, aufweichen oder zerstören, was zu schweren Verletzungen führen kann.

⚠️ WARNUNG

Alle Reparaturen sollten zur besseren Sicherheit und Zuverlässigkeit von einem autorisierten Kundendienst durchgeführt werden.

MACHEN SIE SICH MIT IHREM PRODUKT VERTRAUT

Siehe Seite 123.

Teile

1. Sägeblatt
2. Halterungsklemme
3. Sägeblatt-Klemmhebel
4. Auslöser-Sperrschalter
5. Ein-/Ausschalter
6. Griff
7. Anschluss an den Akku

SYMBOLE AUF DEM PRODUKT



Sicherheitswarnung



Vor dem Bedienen des Produkts müssen Sie alle Anweisungen lesen und verstehen. Befolgen Sie alle Warn- und Sicherheitshinweise.



Tragen Sie einen Gehörschutz.



Tragen Sie einen Augenschutz.



Tragen Sie rutschfeste, schwere Schutzhandschuhe.



Tragen Sie eine Maske.



Halten Sie die Hände von den Klingen fern!



Nicht Regen oder feuchten Bedingungen aussetzen.



Garantierter Schalleistungspegel 94 dB



Elektrische Geräte sollten nicht mit dem übrigen Müll entsorgt werden. Bitte entsorgen Sie diese an den entsprechenden Entsorgungsstellen. Wenden Sie sich an die örtliche Behörde oder Ihren Händler, um Auskunft über die Entsorgung zu erhalten.



Dieses Gerät entspricht allen gesetzlichen Normen des Landes der europäischen Union, in dem es gekauft wurde.



EurAsian Konformitätszeichen.



Ukrainisches Prüfzeichen

001

SYMBOLE IN DIESER BEDIENUNGSANLEITUNG



Teile oder Zubehör getrennt erhältlich



HINWEIS



WARNUNG



Gefahr! Scharfes Sägeblatt



Minimum-Geschwindigkeit



Maximum-Geschwindigkeit

Mit den folgenden Symbolen wird die Bedeutung der verschiedenen Risikostufen, die mit dem Produkt einhergehen, dargestellt.

GEFAHR

Weist auf eine unmittelbare gefährliche Situation hin, die, falls nicht vermieden, zu Tod oder ernsthafter Verletzung führen kann.

WARNUNG

Weist auf eine mögliche gefährliche Situation hin, die, falls nicht vermieden, zu Tod oder ernsthafter Verletzung führen kann.

VORSICHT

Weist auf eine mögliche gefährliche Situation hin, die, falls nicht vermieden, zu einer leichten oder mittleren Verletzung führen kann.

VORSICHT

(Ohne Sicherheitswarnsymbol) Bezeichnet eine Situation die zu Sachbeschädigungen führen kann.

La seguridad, el rendimiento y la fiabilidad han sido las máximas prioridades a la hora de diseñar esta sierra de poda inalámbrica.

USO PREVISTO

La sierra de poda inalámbrica está concebida para que la usen únicamente adultos que hayan leído y comprendido las instrucciones y advertencias de este manual, y que puedan considerarse responsables de sus acciones.

El producto solo está pensado para utilizarse al aire libre en una zona bien ventilada.

El producto está diseñado para cortar y podar pequeñas ramas o tallos con un diámetro igual o inferior a 80 mm.

El producto está diseñado para su uso manual. El producto no se debe montar en un banco de trabajo a menos que el fabricante del producto haya proporcionado instrucciones específicas acerca de cómo hacerlo.

No la use para ninguna otra finalidad.

ADVERTENCIAS GENERALES DE SEGURIDAD DE LA HERRAMIENTA ELÉCTRICA

⚠ ADVERTENCIA

Lea todas las instrucciones de advertencias de seguridad, ilustraciones y especificaciones proporcionadas con el producto. El incumplimiento de las instrucciones que se indican a continuación puede ocasionar diversos accidentes como incendios, descargas eléctricas y/o graves heridas corporales.

Conserve estas advertencias e instrucciones para poder consultarlas posteriormente.

El término "herramienta eléctrica" que aparece en las advertencias se refiere a su herramienta eléctrica (con cable) o con batería (sin cables).

ZONA DE TRABAJO

- **Mantenga el área de trabajo limpia y bien iluminada.** Las zonas oscuras o poco despejadas pueden provocar accidentes.
- **No utilice herramientas eléctricas en entornos inflamables, como puede ser en presencia de líquidos inflamables, gases o polvo.** Las herramientas eléctricas crean chispas que pueden inflamar el polvo o el humo.
- **Mantenga a los niños y personas ajenas alejadas de la zona en la que está utilizando la herramienta eléctrica.** Las distracciones pueden hacer que pierda el control de la herramienta.

SEGURIDAD ELÉCTRICA

- **Las conexiones de la herramienta eléctrica deben corresponder a los de la toma de corriente. No modifique el enchufe de ninguna manera. No utilice ningún adaptador con herramientas eléctricas conectadas a tierra.** Utilizar enchufes sin modificar y tomas correspondientes reducirán el riesgo de descargas eléctricas.

- **Evite el contacto corporal con superficies conectadas a tierra, como tuberías, radiadores, estufas y refrigeradores.** Existe un mayor riesgo de descargas eléctricas si su cuerpo está conectado a tierra.
- **No exponga este producto a la lluvia o humedad.** Si entra agua en una herramienta eléctrica podría aumentar el riesgo de descargas eléctricas.
- **Utilice correctamente el cable. No utilice el cable para llevar, tirar o desconectar el cable de la herramienta. Mantenga el cable lejos del calor, aceite, bordes afilados o partes móviles.** Los cables dañados o enredados aumentan el riesgo de descargas eléctricas.
- **A la hora de utilizar herramientas eléctricas al aire libre, utilice un alargador adecuado para uso en exteriores.** El uso de un cable adecuado para uso en exteriores reduce el riesgo de descargas eléctricas.
- **Si es inevitable utilizar una herramienta eléctrica en un lugar húmedo, utilice un dispositivo de corriente residual (RCD) como protección.** El uso de un RCD reduce el riesgo de descargas eléctricas.

SEGURIDAD PERSONAL

- **Manténgase alerta y atento a lo que está haciendo y utilice el sentido común al utilizar una herramienta eléctrica. No utilice una herramienta eléctrica cuando esté cansado o bajo la influencia de drogas, alcohol o medicamentos.** En un momento de descuido, mientras utiliza herramientas eléctricas podrían ocurrir lesiones personales graves.
- **Utilice un equipo de protección personal. Utilice siempre dispositivos de protección ocular.** El equipo de protección como las máscaras de polvo, calzado antideslizante de seguridad, cascos rígidos o unas condiciones adecuadas reducirán los daños corporales.
- **No permite que se produzca una puesta en marcha accidental. Asegúrese de que el interruptor está en posición OFF antes de conectar la herramienta a una toma de corriente y/o batería, y levantar o transportar la herramienta.** El transporte de herramientas con el dedo sobre el interruptor o la conexión de herramientas eléctricas con el interruptor en ON puede causar accidentes.
- **Extraiga cualquier llave de ajuste antes de encender la herramienta eléctrica.** Una llave que se encuentra conectada a una pieza de rotación puede resultar en lesiones personales.
- **No se extienda demasiado. Afírmese bien en sus piernas y no extienda demasiado el brazo.** Esto permite un mejor control de la herramienta eléctrica en situaciones inesperadas.
- **Lleve ropa adecuada. No use ropa holgada o joyas. Mantenga su cabello, ropa y guantes lejos de las piezas móviles.** La ropa suelta, joyas o el cabello largo pueden quedar atrapados en las piezas móviles.
- **Si existen dispositivos para la conexión de accesorios de recogida y extracción de polvo, asegúrese de que están conectados y que se utilizan adecuadamente.** El uso de accesorios de

recogida de polvo puede reducir riesgos relacionados con el polvo.

- Aunque se familiarice con el uso de la herramienta, no se relaje e ignore los principios de seguridad. Una acción imprudente puede provocar lesiones graves en una fracción de segundo.

USO Y CUIDADO DE LA HERRAMIENTA ELÉCTRICA

- **No fuerce el producto. Utilice la herramienta correcta para su aplicación.** La herramienta correcta hará un trabajo más seguro y mejor para el que ha sido diseñada.
- **No utilice la herramienta eléctrica si el interruptor de encendido no responde.** Cualquier herramienta que no puede ser controlada con el interruptor de encendido es peligrosa y debe ser reparada.
- **Desconecte el enchufe de la fuente de alimentación y/o extraiga la batería de la herramienta eléctrica antes de hacer cualquier ajuste, cambiar accesorios o almacenar herramientas eléctricas.** Estas medidas preventivas de seguridad reducen el riesgo de arranque accidental de la herramienta.
- **Coloque las herramientas eléctricas a ralenti fuera del alcance de los niños y no permita que personas no familiarizadas con la herramienta o con estas instrucciones la utilicen.** Las herramientas eléctricas son peligrosas en manos de personas no capacitadas.
- **Realice labores de mantenimiento de las herramientas eléctricas. Compruebe la alineación o unión de las piezas móviles, si existe rotura de piezas o cualquier otro problema que pueda afectar al funcionamiento de la herramienta. Si alguna pieza está dañada, la herramienta eléctrica debería repararse antes de volver a utilizarla.** Muchos accidentes son causados por un mantenimiento deficiente.
- **Mantenga las herramientas de corte bien afiladas y limpias.** Las herramientas de corte con bordes de corte afilados que tienen un mantenimiento adecuado reducen su deterioro y son más fáciles de controlar.
- **Utilice la herramienta, accesorios, partes eléctricas, etc., de acuerdo con estas instrucciones, teniendo en cuenta las condiciones de trabajo y el trabajo que se va a realizar.** Utilizar la herramienta eléctrica para realizar trabajos diferentes a los que esta herramienta está destinada podría dar como resultado una situación peligrosa.
- **Mantenga los mangos y las superficies de agarre secos, limpios y libres de aceite o grasa.** Los mangos y superficies de sujeción resbaladizas no le permiten una sujeción y un control seguro de la herramienta en situaciones inesperadas.

USO Y CUIDADO DE LA HERRAMIENTA

- **Recargue la unidad solamente con el cargador especificado por el fabricante.** Podría haber un riesgo de incendio cuando se utilice un cargador con una batería para la que no está diseñado.
- **Utilice sólo herramientas eléctricas específicamente diseñadas para ellos.** Utilizar cualquier otro tipo de baterías puede causar lesiones o un riesgo de incendio.

- **Cuando la batería no está en uso, manténgala alejada de otros objetos metálicos como clips, monedas, llaves, clavos, tornillos u otros objetos metálicos pequeños que puedan crear una conexión desde una terminal a otra.** Causar un cortocircuito en los terminales de la batería puede causar quemaduras o un incendio.
- **En condiciones abusivas, podría salir expulsado líquido de la batería, por lo que debería evitar el contacto con éste. Si se produce un contacto accidental, enjuáguese las manos con agua. Si el líquido entra en contacto con los ojos, acuda inmediatamente al médico.** Si el líquido es expulsado de la batería y entra en contacto con él, podría causar irritación o quemaduras.
- **No utilice un paquete de baterías o una herramienta que esté dañado o modificado.** Las baterías dañadas o modificadas pueden presentar un comportamiento impredecible y provocar fuego, explosión o riesgo de lesión.
- **No exponga la batería o la herramienta al fuego o a temperaturas excesivas.** La exposición al fuego o a una temperatura superior a 130 °C puede provocar una explosión.
- **Siga todas las instrucciones de carga y no cargue el paquete de baterías o la herramienta fuera del rango de temperatura especificado en las instrucciones.** La carga inadecuada o a temperaturas fuera del rango especificado puede dañar la batería e incrementar el riesgo de fuego.

MANTENIMIENTO

- **Su herramienta eléctrica debería ser reparada por personas calificadas, que deberían utilizar únicamente piezas de repuesto idénticas.** Esto garantizará la seguridad a la hora de utilizar la herramienta eléctrica.
- **Nunca arregle baterías dañadas.** Solo el fabricante o proveedores homologados deberían reparar las baterías.

ADVERTENCIAS DE SEGURIDAD DE LA SIERRA DE PODA INALÁMBRICA

- Sujete la herramienta eléctrica por las superficies de sujeción aislantes cuando realice una operación en la que el accesorio de corte pueda entrar en contacto con el cableado oculto. El accesorio de corte que esté en contacto con un cable "vivo" puede transmitir corriente a las piezas metálicas de la herramienta que estén expuestas y el operador podría sufrir una descarga eléctrica.
- Utilice cárceles u otros métodos prácticos para asegurar y sujetar la pieza de trabajo sobre una plataforma estable. Si sujeta la pieza con la mano o la apoya contra el cuerpo puede ser inestable, lo que puede hacerle perder el control.
- Mantenga las manos alejadas de la zona de serrado. No intente alcanzar la parte de debajo de la pieza de trabajo. El contacto con la hoja de la sierra puede provocar lesiones.



- Utilice guantes cuando monte la hoja de la sierra. Puede sufrir una lesión si entra en contacto con la hoja de la sierra.
- No sujete el producto con una mano ni por la zona situada cerca del interruptor de encendido/apagado y el gatillo mientras sustituya la hoja de la sierra. Puede sufrir una lesión si se acciona accidentalmente el interruptor de encendido/apagado.
- Al cambiar la hoja de la sierra, asegúrese de que el soporte no tiene residuos, virutas o fragmentos metálicos.
- Sujete bien el producto con una mano en la empuñadura mientras sierra.
- No toque el gancho, la hoja de la sierra ni las salidas de ventilación mientras sierra.
- La hoja de la sierra puede estar caliente después de serrar. Deje que la hoja de la sierra se enfríe antes de tocarla.
- Use el dispositivo de recogida de polvo o conecte un aspirador para extracción de polvo al utilizar el producto.
- Información acerca de la capacidad de corte.
- Instrucción para ajustar la herramienta para diferentes posiciones de la hoja de la sierra (si fuera el caso).
- El producto se reiniciará automáticamente si se atasca. Apague el producto inmediatamente si se atasca. No vuelva a encender el producto cuando está atascado, ya que podría generar un retroceso repentino con una elevada fuerza reactiva. Analice por qué se ha atascado el producto y rectifíquelo, prestando atención a las instrucciones de seguridad.
- El rango de temperatura ambiente para la herramienta (producto) en funcionamiento es de entre 0 y 40 °C.
- El rango de temperatura ambiente en el entorno en el que se guarde la herramienta (producto) es de entre 0 y 40 °C.
- El rango de temperatura ambiente recomendado para el sistema de carga durante la carga es de entre 10 y 38 °C.

ADVERTENCIAS DE SEGURIDAD DE LA BATERÍA ADICIONAL

ADVERTENCIA

Para reducir el riesgo de incendio, lesión personales y daños al producto debido a un cortocircuito, no sumerja nunca la herramienta, el paquete de baterías o el cargador en líquido ni permita que fluya un fluido dentro de ellos. Los fluidos corrosivos o conductivos, como el agua de mar, ciertos productos químicos industriales y blanqueadores o lejías que contienen, etc., Pueden causar un cortocircuito.

- El rango de temperatura ambiente para la batería en uso es de entre 0 y 40 °C.
- El rango de temperatura ambiente para el almacenamiento de batería es de entre 0 y 20 °C.

- Separe los residuos eléctricos de forma adecuada retirando las baterías integradas de la unidad principal antes de desecharlas. Llévelas a los puntos de recogida adecuados.
- Para retirar la batería integrada, separe las protecciones de la carcasa unidas entre sí extrayendo los tornillos. Desconecte la batería del circuito y retírela.
- **NOTA:** Una vez abierto, el producto no puede reutilizarse ni repararse y debería eliminarse de forma adecuada.
- Antes de retirar la batería de la herramienta, encienda el producto hasta que la batería esté totalmente descargada.
- Asegúrese de que la batería que va a desechar no entra en contacto con pilas, otras baterías o materiales conductores, protegiendo los conectores expuestos con cinta o tapas aislantes no conductoras.

TRANSPORTE DE BATERÍAS DE LITIO

Transporte de baterías de acuerdo con las disposiciones y reglamentos nacionales y locales.

Cumpla todos los requisitos especiales relativos al embalaje y etiquetado cuando el transporte de baterías se lleve a cabo por un tercero. Asegúrese de que, durante el transporte, las baterías no entran en contacto con otras baterías o materiales conductores protegiendo los conectores expuestos con tapones o tapas aislantes de material no conductor. No transporte baterías que tengan grietas o fugas. Consulte a la empresa de transporte para obtener más asesoramiento.

RIESGOS RESIDUALES

Incluso cuando se utiliza el producto según las instrucciones, sigue siendo imposible eliminar por completo ciertos factores de riesgo residuales. Los siguientes peligros pueden surgir en el uso y el operador debe prestar especial atención para evitar lo siguiente:

- Lesiones por vibración
 - Utilice el ajuste para la velocidad más baja que permita realizar el corte. Limite la exposición. Consulte la sección “Reducción de riesgos” en este manual.
- Lesiones causadas por el polvo
 - El polvo puede entrar en los ojos o en el sistema respiratorio. Use siempre protección para los ojos. Utilice una máscara de control de polvo apropiada, con filtros adecuados que ofrezcan protección contra las partículas procedentes del material cortado. No comer, beber o fumar en el área de trabajo. Asegúrese de que haya una ventilación adecuada.
- lesión provocada por una descarga eléctrica
 - La cuchilla podría entrar en contacto con un cable escondido electrificando así las piezas del aparato. Sujete siempre el producto por las asas designadas y tenga cuidado al cortar en las paredes y los pisos donde los cables se pueden ocultar.
- daño producido por contacto con las cuchillas
 - Las láminas están muy afiladas y se calientan con el uso. Use guantes para cambiar las cuchillas.



Mantenga siempre las manos apartadas de la zona de corte. Sujete la pieza de trabajo siempre que sea posible.

- Lesiones a causa del ruido
 - El ruido puede provocar lesiones auditivas. Utilice protección auditiva al utilizar herramientas eléctricas durante un periodo largo de tiempo.

REDUCCIÓN DEL RIESGO

Se ha informado de que las vibraciones de las herramientas de mano puede contribuir a una condición llamada síndrome de Raynaud en ciertos individuos. Los síntomas pueden incluir hormigueo, entorpecimiento y decoloración de los dedos, generalmente aparentes cuando tiene lugar una exposición al frío. Se considera que los factores hereditarios, exposición al frío y a la humedad, dieta, tabaquismo y prácticas de trabajo contribuyen al desarrollo de estos síntomas. Existen medidas que pueden ser tomadas por el operador para reducir los efectos de vibración:

- Mantenga su cuerpo caliente durante el tiempo frío. Al manipular el producto, utilice guantes para mantener las manos y las muñecas calientes. Hay informes que indican que el tiempo frío es un gran factor que contribuye al síndrome de Raynaud.
- Después de cada período de funcionamiento, realice ejercicios para aumentar la circulación sanguínea.
- Haga pausas de trabajo frecuentes. Limite la cantidad de exposición por día.

Si siente alguno de los síntomas de esta enfermedad, interrumpa inmediatamente el uso y consulte a su médico estos síntomas.

⚠ ADVERTENCIA

El uso prolongado de una herramienta puede causar o agravar lesiones. Al utilizar cualquier herramienta durante períodos prolongados asegúrese de tomar descansos regulares.

MANTENIMIENTO

⚠ ADVERTENCIA

No enchufe nunca la lijadora a la toma de corriente cuando monte piezas, realice ajustes, limpie la herramienta o incluso cuando no la utilice. Desconectar el producto de la fuente de suministro evitará que se encienda de manera accidental, lo que podría provocar lesiones graves.

⚠ ADVERTENCIA

Al realizar el mantenimiento, utilice solo piezas de repuesto, accesorios y acoplamientos del fabricante originales. El uso de cualquier otra pieza puede crear un riesgo o causar daño al producto.

- Evite el uso de disolventes para limpiar las piezas de plástico. La mayoría de los plásticos son susceptibles a daños de varios tipos de solventes comerciales y pueden dañarse por su uso. Utilice un paño limpio para quitar las impurezas, el polvo, etc.

⚠ ADVERTENCIA

No permita en ningún momento que las piezas de plástico entren en contacto con líquido de frenos, gasolina, productos derivados del petróleo, aceites penetrantes, etc. Las sustancias químicas pueden dañar, debilitar o destruir el plástico, lo cual puede resultar en lesiones personales graves.

⚠ ADVERTENCIA

Para una mayor seguridad y fiabilidad, todas las reparaciones deben ser realizadas por un centro de servicio autorizado.

CONOZCA SU PRODUCTO

Véase la página 123.

Piezas

1. Disco de sierra
2. Abrazadera de fijación
3. Palanca de fijación de la hoja de la sierra
4. Botón de bloqueo del gatillo
5. Gatillo
6. Mango
7. Conexión a la batería

SÍMBOLOS EN EL PRODUCTO



Advertencia



Lea y entienda todas las instrucciones antes de utilizar el producto. Siga todas las advertencias e instrucciones de seguridad.



Use protección para los oídos.



Utilice protección ocular



Use guantes de trabajo resistentes, antideslizantes.



Póngase una mascarilla.



Mantenga las manos alejadas de las hojas.



No la exponga a la lluvia o a lugares húmedos.



Nivel de potencia acústica garantizado 94 dB



Los productos eléctricos de desperdicio no deben desecharse con desperdicios caseros. Por favor recíclelos donde existan dichas instalaciones. Compruebe con su autoridad local o minorista para reciclar.



Esta herramienta responde a todas las normas reglamentarias del país de la UE donde se ha comprado.



Certificado EAC de conformidad



Marca de conformidad ucraniana

- EN
- FR
- DE
- ES**
- IT
- NL
- PT
- DA
- SV
- FI
- NO
- RU
- PL
- CS
- HU
- RO
- LV
- LT
- ET
- HR
- SL
- SK
- BG
- UK
- TR

SÍMBOLOS EN ESTE MANUAL



Las piezas o accesorios se venden por separado



Nota



Advertencia



Peligro! Hoja de sierra afilada



Velocidad, mínimo



Velocidad, máxima

Lo siguientes símbolos y sus significados pretenden explicar los niveles de riesgo asociados a este producto.

PELIGRO

Indica una situación potencialmente peligrosa que, de no evitarse, puede ocasionar la muerte o heridas de gravedad.

ADVERTENCIA

Indica una situación peligrosa que, de no evitarse, puede ocasionar la muerte o heridas de gravedad.

ADVERTENCIA

Indica una situación potencialmente peligrosa que, de no evitarse, puede ocasionar heridas leves.



Durante la progettazione di questa sega di potatura a batteria è stata data la massima priorità a sicurezza, prestazioni e affidabilità.

UTILIZZO RACCOMANDATO

La sega di potatura a batteria deve essere utilizzata solo da persone adulte, che abbiano letto e compreso le istruzioni e le avvertenze contenute in questo manuale, e che siano responsabili delle proprie azioni.

Prodotto adatto solo per essere utilizzato all'esterno in aree ben ventilate.

Il prodotto è progettato per il taglio e la potatura di piccoli rami e ramoscelli di diametro inferiore o uguale a 80 mm.

Il prodotto è progettato per un uso portatile. Il prodotto non deve essere montato su un banco salvo diversamente indicato dal produttore su come farlo.

Non utilizzare per altri scopi.

AVVERTENZE GENERALI SULLA SICUREZZA DELL'UTENSILE

AVVERTENZA

Leggere tutte le istruzioni e avvertenze di sicurezza, le illustrazioni e le specifiche fornite con questo prodotto. La mancata osservanza delle istruzioni riportate di seguito potrebbe provocare incidenti quali incendi, scosse elettriche e/o gravi lesioni fisiche.

Conservare le presenti avvertenze ed istruzioni per poterle consultare in seguito.

Il termine "elettroutensile" nelle avvertenze fa riferimento a un elettroutensile che funziona con una spina (con cavo) o a batterie (senza cavo).

AMBIENTE DI LAVORO

- **Mantenere l'area di lavoro pulita e ben illuminata.** Aree di lavoro disordinate o non illuminate adeguatamente potranno causare incidenti.
- **Non mettere in funzione gli elettroutensili in atmosfere esplosive, come in presenza di liquidi infiammabili, gas o polvere.** Gli elettroutensili creano scintille che possono causare incendi a contatto con polveri e fumi.
- **Tenere bambini ed eventuali osservatori lontani mentre si mette in funzione l'elettroutensile.** Eventuali distrazioni potranno causare una perdita di controllo.

SICUREZZA ELETTRICA

- **La spina dell'elettroutensile deve corrispondere alla presa. Non modificare la spina in alcun modo. Non utilizzare spine adattatrici con elettroutensili con messa a terra (presa di terra).** Spine non modificate e prese corrispondenti ridurranno il rischio di scosse elettriche.
- **Evitare il contatto del corpo con superfici con messa a terra come tubi, radiatori, piani cottura e refrigeratori.** Rischio aumentato di scosse elettriche se il corpo viene collegato con messa a terra.

- **Non esporre il prodotto a pioggia o umidità.** Nel caso in cui dell'acqua entrerà nell'elettroutensile il rischio di scosse elettriche aumenterà.
- **Non sottoporre a sforzi il cavo dell'alimentazione. Non trasportare né tirare o scollegare l'elettroutensile dal cavo. Tenere il cavo lontano da calore, olio, angoli appuntiti o parti in movimento.** Cavi danneggiati o intrecciati potranno far aumentare il rischio di scosse elettriche.
- **Quando si mette in funzione un elettroutensile all'esterno, utilizzare una prolunga adatta all'esterno.** Utilizzare un cavo adatto agli esterni per ridurre il rischio di scosse elettriche.
- **Nel caso in cui non si possa fare a meno di mettere in funzione un elettroutensile in un luogo umido, utilizzare un dispositivo di corrente residua (RCD).** Utilizzare un RCD ridurrà il rischio di scosse elettriche.

SICUREZZA PERSONALE

- **Mantenere sempre l'attenzione e utilizzare buon senso quando si utilizza un elettroutensile. Non utilizzare un elettroutensile se stanchi o sotto l'influenza di droghe, alcool o farmaci.** Un momento di disattenzione durante le operazioni potrà risultare in gravi lesioni personali.
- **Utilizzare equipaggiamento di protezione personale. Indossare sempre occhiali di protezione.** L'utilizzo di attrezzature di protezione individuali, come maschere antipolveri, scarpe di sicurezza antidrucciolo, elmetto e dispositivi auricolari riducono il rischio di lesioni personali.
- **Prevenire l'avvio accidentale. Assicurarsi che l'interruttore sia sulla posizione off (spento) prima di collegare l'utensile all'alimentazione e/o al gruppo batterie, o prima di afferre e trasportare l'utensile.** Trasportare elettroutensili tenendo un dito sull'interruttore o con l'elettroutensile acceso potrà causare incidenti.
- **Rimuovere eventuali chiavi o dispositivi di regolazione prima di accendere l'elettroutensile.** Una chiave o un dispositivo di blocco collegato a una parte rotante dell'utensile potrà risultare in gravi lesioni personali.
- **Non protendersi. Rimanere bene in equilibrio sulle gambe e non distendere troppo lontano le braccia.** Ciò permetterà un miglior controllo dell'elettroutensile in situazioni inaspettate.
- **Indossare un abbigliamento adatto. Non utilizzare abiti con parti svolazzanti o gioielli. Tenere capelli, vestiti e guanti lontani dalle parti in movimento.** Abiti con parti svolazzanti, gioielli o capelli lunghi potranno rimanere impigliati nelle parti in movimento.
- **Nel caso in cui vengano forniti dispositivi per l'estrazione e la raccolta della polvere, assicurarsi che gli stessi siano collegati e utilizzati correttamente.** Utilizzare il sacchetto di raccolta della polvere può ridurre rischi collegati alla polvere.
- **Non consentire che la familiarità conseguita con l'uso frequente degli utensili faccia diventare disinvolti al punto di ignorare i principi di sicurezza.** Eventuali disattenzioni potranno causare gravi lesioni in una frazione di un secondo.





EN
FR
DE
ES
IT
NL
PT
DA
SV
FI
NO
RU
PL
CS
HU
RO
LV
LT
ET
HR
SL
SK
BG
UK
TR

UTILIZZO E MANUTENZIONE ELETTROUTENSILI

- **Non forzare il prodotto. Utilizzare l'elettROUTENSILE corretto per il proprio lavoro.** L'elettROUTENSILE corretto svolgerà in maniera migliore e più sicura il lavoro per il quale è stato progettato.
- **Non utilizzare l'elettROUTENSILE se l'interruttore non si accende e spegne.** Un elettROUTENSILE che non può essere controllato dall'interruttore è pericoloso e deve essere riparato.
- **Scollegare la presa dall'alimentazione e/o il gruppo batterie dall'elettROUTENSILE prima di fare le adeguate regolazioni, cambiare gli accessori o riporre gli elettROUTENSILI.** Queste misure di sicurezza preventive ridurranno il rischio di avvio dell'elettROUTENSILE.
- **Riporre elettROUTENSILI lontano dalla portata dei bambini e non permettere a persone che non conoscano il funzionamento dell'elettROUTENSILE o queste istruzioni di metterlo in funzione.** Gli elettROUTENSILI possono essere pericolosi se utilizzati da personale non preparato.
- **Svolgere sempre le operazioni di manutenzione sull'elettROUTENSILE.** Controllare l'eventuale allineamento scorretto o blocco delle parti in movimento, la rottura di parti e qualsiasi altra condizione che potrà influenzare il funzionamento dell'elettROUTENSILE. In caso di danni far riparare l'elettROUTENSILE prima di utilizzarlo. ElettROUTENSILI sui quali non sono state svolte le dovute operazioni di manutenzione possono essere causa di incidenti.
- **Mantenere tutti gli utensili affilati e appuntiti.** Utensili per operazioni di taglio con parti taglienti sui quali sono state svolte le corrette operazioni di manutenzione non si bloccheranno e saranno più facili da controllare.
- **Utilizzare l'elettROUTENSILE, i suoi accessori, le punte ecc. assieme a queste istruzioni tenendo conto delle condizioni di lavoro e del lavoro da svolgere.** Utilizzare l'elettROUTENSILE per operazioni diverse da quelle indicate potrà causare situazioni pericolose.
- **tenere manici e superfici da ancoraggio asciutte, pulite, e libere da olio e grasso.** Impugnature o manici scivolosi non permetteranno di controllare e gestire in maniera sicura l'utensile in situazioni inaspettate.

UTILIZZO E MANUTENZIONE DI UN UTENSILE A BATTERIE

- **Ricaricare solo con il caricatore indicato dalla ditta produttrice.** Un caricatore adatto per un tipo di batterie potrà creare un rischio di incendio se utilizzato con un altro gruppo batterie.
- **Utilizzare elettROUTENSILI solo con i gruppi batteria indicati.** L'utilizzo di gruppi batteria diversi da quelli indicati potrà causare rischi di lesioni e incendi.
- **Quando il gruppo batterie non viene utilizzato, tenerlo lontano da oggetti in metallo come fermagli, monete, chiavi, chiodi, viti o altri piccoli oggetti che potranno fare da tramite da un terminale all'altro.** Cortocircuitare i terminali della batteria assieme potrà causare scottature o incendi.
- **Se sottoposto a stress, la batteria potrà perdere dei liquidi; evitare il contatto. Se si entra**

accidentalmente in contatto con tali liquidi, lavarsi immediatamente con acqua. Se il liquido entra negli occhi, rivolgersi a un medico. Il liquido espulso dalla batteria potrà causare irritazioni o scottature.

- **Non utilizzare batterie o strumenti danneggiati o alterati.** Le batterie danneggiate o alterate potrebbero avere un comportamento imprevedibile e causare incendi, esplosioni o rischio di lesioni.
- **Non esporre la batteria o l'utensile a fiamme libere o a temperature eccessive.** L'esposizione a fiamme libere o a temperature superiori a 130°C può causare esplosioni.
- **Seguire tutte le istruzioni per la ricarica e non ricaricare le batterie o gli utensili all'infuori dell'intervallo di temperature specificato nelle istruzioni.** Eseguire la ricarica in modo improprio o all'infuori dell'intervallo specificato potrebbe danneggiare la batteria e aumentare il rischio d'incendio.

MANUTENZIONE

- **Far svolgere la manutenzione da personale qualificato utilizzando solo parti di ricambio identiche.** Ciò permette di mantenere la sicurezza dell'elettROUTENSILE.
- **Non riparare mai le batterie danneggiate.** La riparazione delle batterie dev'essere eseguita solo dal fabbricante o da fornitori di assistenza autorizzati.

AVVERTENZE DI SICUREZZA PER LA LAMA DI POTATURA A BATTERIA

- Reggere l'utensile dalle superfici isolate quando si svolge un'operazione nella quale le lame potrebbero toccare dei cavi nascosti. Se la lama taglia un cavo "vivo" le parti esposte dell'elettROUTENSILE potrebbero fare da conduttore e causare scosse elettriche.
- Utilizzare morsetti o altri pratici sistemi per ancorare il pezzo sul quale si sta lavorando a una superficie stabile. Reggere il pezzo sul quale si sta lavorando con le mani o poggiarlo contro il corpo lo renderà instabile e ciò potrà causare una perdita di controllo dell'utensile.
- Tenere le mani distanti dal raggio di taglio. Non protendersi sotto il pezzo sul quale si sta lavorando. Il contatto con la lama di taglio può portare a lesioni.
- Quando si indossa la lama di potatura, indossare guanti protettivi. Il contatto con la lama di taglio comporta sempre pericolo di lesioni.
- Non mantenere il prodotto con una mano vicino all'interruttore On/Off e attivarlo quando si cambia la lama di potatura. Esiste il pericolo di lesioni quando l'interruttore On/Off viene premuto involontariamente.
- Quando si cambia la lama, assicurarsi che il reggilame non presenti materiale residuo come trucioli di legno o metallo.
- Mantenere il prodotto fermo con una mano dalla maniglia durante la potatura.
- Non toccare il gancio, la lama o gli sfoghi d'aria durante la potatura.
- La lama di taglio potrebbe essere calda dopo la



potatura. Lasciare che la lama di potatura si raffreddi prima di toccarla.

- Utilizzare il dispositivo di raccolta o collegare un aspiratore per l'estrazione della polvere quando si mette in funzione il prodotto.
- Informazioni relative alla capacità di taglio.
- Istruzioni su come regolare lo strumento per le diverse posizioni della lama, se applicabili.
- In caso di stallo il prodotto si riavvierà automaticamente. Spegnerne immediatamente il prodotto se si blocca. Non riaccendere il prodotto mentre è ancora in stallo, in quanto si potrebbe produrre un improvviso contraccolpo con un'elevata forza reattiva. Determinare la causa dello stallo e correggerla, prestando attenzione alle istruzioni di sicurezza.
- L'intervallo della temperatura ambiente per l'utensile (prodotto) durante l'azionamento rientra tra 0° C e 40° C.
- L'intervallo della temperatura ambiente per la conservazione dell'utensile rientra tra 0° C e 40° C.
- L'intervallo della temperatura ambiente raccomandato per il sistema di carica durante la carica rientra tra 10° C e 38° C.

AVVERTENZE AGGIUNTIVE PER LA SICUREZZA DELLA BATTERIA

⚠ AVVERTENZA

Per ridurre il rischio d'incendio, di lesioni o di danni al prodotto causati da corto circuito, non immergere mai l'utensile, la batteria ricaricabile o la carica batterie in un liquido e non lasciare mai penetrare alcun liquido all'interno dei dispositivi e delle batterie. I fluidi corrosivi o conduttori come acqua salata, alcuni agenti chimici, agenti candeggianti o prodotti contenenti agenti candeggianti potrebbero provocare un corto circuito.

- L'intervallo della temperatura ambiente per la batteria durante l'utilizzo rientra tra 0 °C e 40 °C.
- L'intervallo della temperatura ambiente per la conservazione della batteria rientra tra 0 °C e 20 °C.
- Separare i rifiuti elettronici adeguatamente rimuovendo i gruppi batteria integrati dall'unità principale prima dello smaltimento. Smaltirli presso i punti di raccolta designati.
- Per rimuovere il pacco batteria integrato, separare i gusci dell'alloggiamento rimuovendo le viti. Scollegare il gruppo batteria dal circuito e rimuoverlo.
- **NOTA:** Una volta aperto, il prodotto non potrà essere più riutilizzato, né potranno essere svolte le dovute operazioni di manutenzione sullo stesso e dovrà quindi essere smaltito correttamente.
- Prima di rimuovere il gruppo batteria dall'utensile, attivare il prodotto fino a che il gruppo batterie non venga completamente scaricato.
- Assicurarsi che il gruppo batterie venga smaltito e non entri in contatto con batterie, altri gruppi batterie e materiali conduttivi proteggendo i connettori esposti con nastro adesivo isolante o tappi non conduttivi.

TRASPORTO BATTERIE AL LITIO

Trasportare le batterie rispettando quanto indicato dalle norme e regolamentazioni locali.

Far rispettare quanto indicato sulle etichette e sull'involucro quando la batteria viene trasportata da terzi. Assicurarsi che le batterie non entrino in contatto con altre batterie o con materiali conduttivi mentre si trasportano proteggendo i connettori esposti con tappi o nastro isolante e non conduttivo. Non trasportare batterie rotte o che perdono liquidi. Consultare la ditta produttrice per eventuali ulteriori consigli.

RISCHI RESIDUI

Anche quando il prodotto viene utilizzato come indicato, è impossibile eliminare completamente alcuni fattori di rischio residuo. Si potranno verificare i seguenti rischi durante l'utilizzo e l'operatore dovrà prestare attenzione speciale per evitare quanto segue:

- Lesioni causate da vibrazioni
 - Utilizzare l'impostazione di velocità più bassa che ottiene il taglio. Limitare l'esposizione. Consultare la sezione "Riduzione del rischio" del presente manuale.
- Lesioni causate dalla polvere
 - La polvere potrebbe entrare negli occhi o nel sistema respiratorio. Indossare sempre protezioni per gli occhi. Indossare la maschera antipolvere appropriata con i filtri adattati per proteggere contro le particelle prodotte dal materiale tagliato. Non mangiare, bere, né fumare nell'area di lavoro. Assicurarsi un'adeguata ventilazione.
- lesioni causate da scosse elettriche
 - La lama potrà entrare in contatto con cavi nascosti facendo mettendo "sotto tensione" alcune parti del prodotto. Reggere sempre il prodotto dai manici indicati e fare attenzione quando operazioni di taglio in muri e pavimenti potranno andare a toccare cavi nascosti.
- lesioni da contatto con le lame
 - Le lame sono molto affilate e si surriscaldano durante l'utilizzo. Indossare guanti quando si cambiano le lame. Tenere sempre le mani lontane dalle zone di taglio. Stringere il pezzo sul quale si sta lavorando in un morsetto ogni qualvolta possibile.
- Lesioni causate dal rumore.
 - Il rumore potrà danneggiare l'udito. Quando si utilizzano elettroutensili per un lungo periodo di tempo, indossare cuffie di protezione.

RIDUZIONE DEL RISCHIO

Si è accertato che le vibrazioni causate da utensili a mano possono contribuire a causare una condizione chiamata Sindrome di Raynaud in alcune persone. I sintomi, comprendenti formicolio, intorpidimento e perdita di colore alle dita, si verificano di solito quando ci si espone al freddo. Fattori ereditari, esposizione a freddo e umidità, una dieta scorretta, fumo e condizioni di lavoro non sicure possono contribuire allo sviluppo di questi sintomi. È possibile prendere delle precauzioni per ridurre le vibrazioni:

- Tenere il corpo al caldo a basse temperature. Quando si utilizza il prodotto indossare guanti per tenere le mani e i polsi caldi. Le basse temperature contribuiscono a causare la Sindrome di Raynaud.
- Dopo aver utilizzato l'utensile per un certo periodo, fare degli esercizi per stimolare la circolazione del sangue.
- Fare spesso delle pause. Limitare la quantità di esposizione giornaliera.

Nel caso in cui si provino i sintomi di questa condizione, interrompere immediatamente l'utilizzo dell'utensile e consultare un dottore.

⚠ AVVERTENZA

Il prolungato utilizzo dell'utensile potrà causare o aggravare lesioni. Quando si utilizza questo utensile per periodi di tempo prolungati, assicurarsi di fare sempre delle pause regolari.

MANUTENZIONE

⚠ AVVERTENZA

Durante il montaggio di componenti, l'esecuzione di regolazioni, le operazioni di pulizia dell'apparecchio o quando non viene utilizzata, la levigatrice non deve mai essere collegata alla presa di corrente. Scollegando il prodotto dall'alimentazione se ne previene l'avviamento accidentale che potrebbe causare lesioni gravi.

⚠ AVVERTENZA

Durante gli interventi, usare solo parti di ricambio, accessori e prolunghe originali del produttore. Utilizzare parti di ricambio diverse potrà causare rischi o danneggiare il prodotto.

- Evitare di utilizzare solventi quando si puliscono le parti in plastica. La maggior parte dei materiali plastici è soggetta a danni di vario tipo da solventi commerciali e può essere danneggiata dal contatto con gli stessi. Utilizzare un panno pulito per rimuovere lo sporco, la polvere, ecc.

⚠ AVVERTENZA

Evitare che sostanze come sostanze per freni, benzina, prodotti a base di petrolio, oli penetranti, ecc. entrino in contatto con parti in plastica. Agenti chimici potranno danneggiare, indebolire o distruggere la plastica il che potrà causare gravi lesioni a persone.

⚠ AVVERTENZA

Per maggiore sicurezza e affidabilità, tutte le riparazioni dovranno essere svolte da un centro servizi autorizzato.

FAMILIARIZZARE CON IL PRODOTTO

Verdere pagina 123.

Parti

1. Lama da sega
2. Morsetto di montaggio
3. Leva della morsa a lama
4. Tasto di blocco grilletto
5. Grilletto
6. Manico
7. Connessione alla batteria

SIMBOLI SUL PRODOTTO



Avvertenza



Prima di utilizzare il prodotto leggere e comprendere tutte le istruzioni. Osservare tutte le avvertenze e le istruzioni di sicurezza.



Indossare cuffie di protezione.



Indossare dispositivi di protezione occhi



Indossare guanti anti-scivolo da lavoro.



Indossare una maschera.



Tenere le mani lontane dalle lame.



Non esporre a pioggia o umidità.



Livello di potenza acustica garantito 94 dB



I prodotti elettrici non devono essere smaltiti con i rifiuti domestici. Vi sono strutture per smaltire tali prodotti. Informarsi presso il proprio Comune o rivenditore di sicurezza per smaltire adeguatamente tali rifiuti.



Conformidad con CE



Certifi cado EAC de conformidad



Marca de conformidad ucraniana

001

SIMBOLI NEL PRESENTE MANUALE



Parti o accessori venduti separatamente



Note



Avvertenze



Pericolo! Lama affilata



Velocità, minimo



Velocità, massima

Le parole e i messaggi di avvertimento spiegano i livelli di rischio associato con il prodotto.

PERICOLO

Indica una situazione pericolosa che, se non evitata attentamente, potrà causare gravi lesioni alla persona o morte.

AVVERTENZA

Indica una situazione potenzialmente pericolosa che, se non evitata attentamente, potrà causare gravi lesioni alla persona o morte.

ATTENZIONE

Indica una situazione potenzialmente pericolosa che, se non evitata attentamente, potrà causare lesioni minori o moderate alla persona.

ATTENZIONE

(senza simbolo di allarme in materia di sicurezza) Indica una situazione che può provocare danni materiali.



Bij het ontwerp van uw accusnoeizaag hebben veiligheid, prestaties en betrouwbaarheid de hoogste prioriteit verkregen.

VOORGESCHREVEN GEBRUIK

De accusnoeizaag is uitsluitend bedoeld voor gebruik door volwassenen die de instructies en waarschuwingen in deze handleiding hebben gelezen en begrepen en die als verantwoordelijk voor hun daden kunnen worden beschouwd.

Het product is uitsluitend bedoeld voor gebruik buitenshuis in een goed geventileerd gebied.

Het apparaat is ontworpen voor het snijden en snoeien van twijgen en takken met een diameter kleiner dan of gelijk aan 80 mm.

Het product is ontworpen voor draagbaar gebruik. Het product mag niet op een werkbank worden gemonteerd, tenzij de fabrikant van het product specifieke instructies heeft gegeven over hoe dat moet worden gedaan.

Gebruik niet voor andere doeleinden.

ALGEMENE VEILIGHEIDSWAARSCHUWINGEN VOOR HET WERKTUIG

⚠ WAARSCHUWING

Lees alle veiligheidsinstructies, illustraties en specificaties die met dit product worden meegeleverd. Het niet in acht nemen van de hierna vermelde voorschriften kan ongelukken, zoals brand, elektrische schokken en/of ernstig lichamelijk letsel veroorzaken.

Bewaar deze waarschuwingen en voorschriften zorgvuldig om ze ook later te kunnen inzien.

De term "elektrisch gereedschap" in de waarschuwingen verwijst naar gereedschap dat met de stroomtoevoer is verbonden (met snoer) of accu-aangedreven (snoerloos) gereedschap.

WERKOMGEVING

- **Houd de werkplek schoon en goed verlicht.** Vervuilde of donkere plekken nodigen uit tot ongevallen.
- **Gebruik elektrische werktuigen niet in explosieve omgevingen, zoals in de aanwezigheid van ontvlambare vloeistoffen, gassen of stof.** Elektrisch gereedschap kan vonken veroorzaken die het stof of de gassen kunnen ontsteken.
- **Houd kinderen en omstanders weg terwijl u elektrisch gereedschap gebruikt.** Wanneer u wordt afgeleid, kunt u de controle verliezen.

ELEKTRISCHE VEILIGHEID

- **Stekkers van elektrisch gereedschap moeten overeenkomen met de contactdoos. Wijzig de stekker nooit. Gebruik geen adapters met geaarde elektrische werktuigen.** Niet-gewijzigde stekkers en overeenkomstige contactdozen zullen het risico op elektrische schok verminderen.

- **Vermijd lichaamscontact met een geaard oppervlak, zoals buizen, radiatoren, kookfornuizen en koelkasten.** Er bestaat een verhoogd risico voor elektrische schokken als uw lichaam is geaard.
- **Stel het product niet bloot aan regen of natte omstandigheden.** Water dat een elektrisch werktuig binnendringt, verhoogt het risico op elektrische schokken.
- **Misbruik het snoer niet. Gebruik het snoer nooit om het elektrisch werktuig te dragen, eraan te trekken of het uit de contactdoos te trekken. Houd het snoer weg van hitte, olie, scherpe randen of bewegende onderdelen.** Beschadigde of verstrikte snoeren verhogen het risico op elektrische schokken.
- **Gebruik een verlengsnoer geschikt voor buitenshuis gebruik wanneer u een elektrisch werktuig buitenshuis gebruikt.** Het gebruik van een snoer dat geschikt is voor buitenshuis gebruik, vermindert het risico op elektrische schokken.
- **Als het gebruik van een elektrisch werktuig op een vochtige plaats onvermijdelijk is, gebruikt u een contactdoos die beschermd is door een aardlekschakelaar.** Het gebruik van een aardlekschakelaar vermindert het risico op elektrische schokken.

PERSOONLIJKE VEILIGHEID

- **Blijf alert, kijk naar wat u doet en gebruik uw gezond verstand wanneer u elektrisch gereedschap gebruikt. Gebruik een elektrisch werktuig niet wanneer u moe of onder de invloed van drugs, alcohol of medicijnen bent.** Een ogenblik van onoplettendheid terwijl u elektrisch gereedschap gebruikt, kan leiden tot ernstige verwondingen.
- **Gebruik een persoonlijke beschermuitrusting. Draag altijd gehoorbescherming.** Gebruik van beschermingsmiddelen zoals een stofmasker, anti-slip veiligheidsschoenen, veiligheidshelm of gehoorbescherming leidt tot minder persoonlijk letsel.
- **Ongewenst starten voorkomen. Zorg ervoor dat de schakelaar zich in de uit-stand bevindt voor u de machine met een stroombron en/of accupack verbindt, de machine opheft of draagt.** Wanneer u elektrisch gereedschap draagt met de vinger op de schakelaar of wanneer het gereedschap met de stroombron is verbonden, kan dit leiden tot ongevallen.
- **Verwijder alle afstelsleutels voor u het elektrisch werktuig inschakelt.** Een sleutel die op een draaiend onderdeel van het elektrisch gereedschap werd achtergelaten, kan leiden tot verwondingen.
- **Overrek u niet. Ga altijd stevig op uw benen staan en reik niet te ver weg met uw arm.** Dit maakt een betere controle van het werktuig in onverwachte omstandigheden mogelijk.
- **Draag geen wijde kleding, dassen of sieraden die klem kunnen raken en u naar de bewegende delen toe kunnen trekken. Draag geen losse kledij of juwelen. Houd uw haar, kledij en handschoenen weg van de bewegende onderdelen.** Losse kledij, juwelen of lang haar kan in bewegende onderdelen verstrikt raken.

EN
FR
DE
ES
IT
NL
PT
DA
SV
FI
NO
RU
PL
CS
HU
RO
LV
LT
ET
HR
SL
SK
BG
UK
TR





- **Als er apparaten worden geleverd voor de verbinding met een stofextractie en verzamel­faciliteiten, zorgt u ervoor dat deze zijn verbonden en goed worden gebruikt.** Het gebruik van een stofverzamelaar vermindert stof-gerelateerde gevaren.
- Voorkom dat u door het frequent gebruik van gereedschappen laks wordt en de veiligheidsvoorschriften uit het oog verliest. Een onzorgvuldige handeling kan binnen enkele seconden leiden tot ernstige verwondingen

GEbruIK VAN EN ZORG VOOR UW ELEKTRISCH GEREEDSCHAP

- **Forceer het product niet. Gebruik het correcte werktuig voor uw toepassing.** Het juiste werktuig zal de taak beter en veiliger uitvoeren aan het tempo waarvoor het werd ontworpen.
- **Gebruik het elektrisch werktuig niet als de schakelaar het niet kan in- of uitschakelen.** Een elektrisch werktuig dat niet met behulp van de schakelaar kan worden bediend, is gevaarlijk en moet worden gerepareerd.
- **Trek de stekker uit de contactdoos en/of ontkoppel het accupack van het werktuig voor u de machine afstelt, accessoires vervangt of het werktuig opbergt.** Zulke preventieve veiligheidsmaatregelen kunnen het risico op ongewenst starten van de machine verminderen.
- **Bewaar ongebruikt elektrisch gereedschap buiten het bereik van kinderen en niet-opgeleide personen die het gereedschap of deze gebruiksaanwijzingen niet kennen.** Elektrisch gereedschap is gevaarlijk in de handen van niet-opgeleide gebruikers.
- **Onderhoud elektrisch gereedschap. Controleer op verkeerde aflijning of verstrikt raken van bewegende delen, defecten van onderdelen en alle andere situaties die de werking van het werktuig kunnen beïnvloeden. Indien beschadigd, laat u het elektrisch gereedschap repareren voor gebruik.** Veel ongevallen worden veroorzaakt door slecht onderhouden elektrische werktuigen.
- **Houd de zaagwerktuigen scherp en schoon.** Correct onderhouden zaagwerktuigen met scherpe randen zijn minder geneigd om verstrikt te raken en kunnen makkelijker worden bestuurd.
- **Gebruik het werktuig, de accessoires en werktuigonderdelen, etc. in overeenstemming met deze instructies en houd rekening met de bedrijfsomstandigheden en het uit te voeren werk.** Het gebruik van een elektrisch werktuig voor zaken die niet in het voorgeschreven gebruik zijn beschreven, kan leiden tot gevaarlijke situaties.
- **Houd handvatten en grepen droog, schoon en vrij van olie en vet.** Gladde handvatten en grepen laten u niet toe om de machine veilig te bedienen en in onverwachte situaties te controleren?.

GEbruIK EN ONDERHOUD VAN HET ACCU­AANGEDREVEN WERKTUIG

- **Herlaad enkel met de oplader die door de fabrikant is gespecificeerd.** Een oplader die voor een type

accupack is geschikt kan een brandgevaar betekenen wanneer het met een ander accupack wordt gebruikt.

- **Gebruik elektrisch gereedschap uitsluitend met de specifiek toegewezen accupacks.** Het gebruik van andere accupacks kan leiden tot risico's op letsels en brand.
- **Wanneer het accupack niet wordt gebruikt, moet u het weg houden van andere metalen objecten, zoals papierclips, munten, sleutels, spijkers, schroeven of andere kleine metalen voorwerpen die een verbinding kan maken van een terminal naar een andere.** De batterijterminals kortsluiten kan leiden tot brandwonden of brand.
- **In oneigenlijke omstandigheden, kan een vloeistof uit de accu lekken; vermijd contact hiermee. Als per ongeluk contact voorkomt, spoelt u met water. Als de vloeistof in contact komt met de ogen, dient u bijkomend medische hulp te raadplegen.** Vloeistof die uit de accu lekt, kan irritatie of brandwonden veroorzaken.
- **Gebruik geen beschadigde of gewijzigde accu of gereedschap.** Beschadigde of gewijzigde accu's kunnen onvoorspelbaar gedrag vertonen en leiden tot brand, explosies, of het risico op letsel.
- **Stel accu's of gereedschap niet bloot aan vuur of hoge temperaturen.** Blootstelling aan vuur of temperaturen hoger dan 130 °C kan explosies veroorzaken.
- **Volg alle instructies en laad de accu of het gereedschap niet op buiten het temperatuurbereik dat in de handleiding wordt aangegeven.** Onjuist opladen of opladen bij temperaturen buiten het aangegeven bereik kan schade aan de accu veroorzaken en risico op brand verhogen.

ONDERHOUD

- **Laat uw elektrisch gereedschap onderhouden door een gekwalificeerd onderhoudspersoon en gebruik hierbij uitsluitend identieke vervangonderdelen.** Dit zal ervoor zorgen dat de veiligheid van het werktuig wordt behouden.
- **Beschadigde accu's mogen niet worden onderhouden.** Onderhoud van accu's mag uitsluitend worden uitgevoerd door de fabrikant of erkende dienstverleners.

VEILIGHEIDSWAARSCHUWINGEN VOOR ACCUSNOEIZAAG

- Houd de machine aan de geïsoleerde handvatten vast wanneer u werkt op plaatsen waar de accessoire een verborgen snoer kan raken. Wanneer de accessoire een spanningvoerende leiding raakt, kunnen de blootgestelde onderdelen van de machine onder spanning komen waardoor de gebruiker wordt geëlectrocuteerd.
- Gebruik klemmen of andere praktische manieren om het werkstuk aan een stabiel platform vast te maken en te ondersteunen. Als u het werktuig met de hand of tegen het lichaam vasthoudt, blijft het onstabiel en kunt u de controle verliezen.





- Houd uw handen uit de buurt van het snijbereik. Raak niet onder het werkstuk. Contact met het zaagblad kan tot verwondingen leiden.
- Draag handschoenen bij de montage van het zaagblad. Bij aanraking van het zaagblad bestaat gevaar voor letsel.
- Houd bij het wisselen van het zaagblad het apparaat nooit met één hand in de buurt van de Aan-/Uit-schakelaar en de trigger vast. Er treedt gevaar voor letsel op als de Aan-/Uit-schakelaar onbedoeld wordt ingeschakeld.
- Wanneer u het zaagblad vervangt, zorgt u ervoor dat de zaagbladhouder vrij is van materiaalresten, zoals hout of metalen schilfers.
- Houd het product tijdens het zagen met één hand stevig aan de handgreep vast.
- Raak tijdens het zagen nooit de haak, het blad of de ventilatieopeningen aan.
- Na het zagen kan het zaagblad heet zijn. Laat het zaagblad afkoelen alvorens het aan te raken.
- Gebruik het stofverzameltoestel of verbindt een stofextractiezuiger aan het toestel wanneer u het gebruikt.
- Informatie over de snijcapaciteit.
- Instructies voor het instellen van het werktuig voor verschillende zaagbladposities, indien van toepassing.
- Het product wordt automatisch opnieuw gestart als het tot stilstand komt. Schakel het product onmiddellijk uit zodra het tot stilstand komt. Schakel het product niet opnieuw in terwijl het nog bezig is om tot stilstand te komen, aangezien dit een plotselinge terugslag met een hoge reactieve kracht kan veroorzaken. Bepaal waarom het product is stil gevallen en corrigeer dit overeenkomstig de veiligheidsinstructies.
- Toegestane omgevingstemperatuur voor het gereedschap (product) tijdens gebruik ligt tussen 0°C en 40°C.
- Toegestane omgevingstemperatuur voor het gereedschap bij opslag ligt tussen 0°C en 40°C.
- De aanbevolen omgevingstemperatuur voor het laadsysteem tijdens het laden ligt tussen 10°C en 38°C.

EXTRA WAARSCHUWINGEN BATTERIJVEILIGHEID

⚠ WAARSCHUWING

Vorkom brand, persoonlijk letsel of materiële schade door kortsluiting en dompel het gereedschap, de wisselaccu en het laadtoestel niet onder in vloeistoffen en waarborg dat geen vloeistoffen in de apparaten en accu's kunnen dringen. Corrosieve of geleidende vloeistoffen zoals zout water, bepaalde chemicaliën, bleekmiddelen of producten die bleekmiddelen bevatten, kunnen een kortsluiting veroorzaken.

- Toegestane omgevingstemperatuur voor de accu tijdens gebruik ligt tussen 0°C en 40°C.
- Toegestane omgevingstemperatuur voor opslag van de accu ligt tussen 0°C en 20°C.

- Scheid elektronisch afval op een degelijke manier door de geïntegreerde accu's uit het hoofdtoestel te halen voor ze weg te gooien. Geef ze af op een erkend verzamelpunt.
- Schroef om de geïntegreerde accu te verwijderen de beide behuizingsdelen van elkaar. Ontkoppel de accu van het circuit en verwijder het.
- **OPMERKING:** Indien het product is geopend, kan het niet langer worden gebruikt en moet dan op correcte wijze worden weggegooid.
- Vóórdat u de accu uit de machine verwijdert, schakelt u het product in totdat de accu volledig is ontladen.
- Zorg ervoor dat de accu die moet worden weggegooid, niet in contact kan komen met batterijen, accu's, of geleidende materialen door blootgestelde connectoren met isolerende, niet-geleidende doppen of plakband af te dekken.

LITHIUMBATTERIJEN TRANSPORTEREN

De accu's dienen in overeenstemming met de plaatselijk en nationale regelgeving te worden getransporteerd.

Respecteer alle speciale voorwaarden op de verpakking en etikettering wanneer u de accu's door derden laat transporteren. Zorg ervoor dat de accu's tijdens het transport niet in contact komen met andere batterijen of geleidende materialen door blootliggende connectoren met isolerende, niet-geleidende doppen of plakband te beschermen. Transporteer geen accues die lekken of gearbesten zijn. Overleg met het transportbedrijf voor verder advies.

RESTRISICO'S

Zelfs wanneer het product zoals voorgeschreven wordt gebruikt, is het nog steeds onmogelijk om bepaalde restrisico's volledig te elimineren. De volgende gevaren kunnen zich voordoen tijdens het gebruik en de gebruiker dient in het bijzonder aandacht te hebben om de volgende situaties te vermijden:

- Letsels veroorzaakt door trillingen
 - Gebruik steeds de laagste snelheid waarmee de snede wordt bereikt. Beperk blootstelling. Raadpleeg het hoofdstuk "Risico's vermijden" in de handleiding.
- Verwonding veroorzaakt door stof
 - Er kan stof in de ogen of in de ademhalingswegen terechtkomen. Draag altijd gezichtsbescherming. Draag gepaste stofmaskers met filters die bescherming bieden tegen deeltjes van het materiaal dat wordt gesneden. Eten, drinken of roken verboden in het werkgebied. Zorg voor voldoende ventilatie.
- letsel veroorzaakt door een elektrische schok
 - Het zaagblad kan in contact komen met verborgen kabels waardoor onderdelen van het product onder spanning kunnen komen te staan. Houd het product altijd aan de handvatten vast en wees voorzichtig wanneer u blind door een wand of vloer boort waarbij kabels verborgen kunnen zijn.
- verwondingen als gevolg van contact met de maabladen



- De zaagbladen zijn heel scherp en worden tijdens gebruik warm. Draag handschoenen wanneer u de zaagbladen vervangt. Houd steeds de handen weg van het zaagbereik. Klem het werkstuk, waar mogelijk, vast.
- Verwondingen veroorzaakt door geluid.
 - Geluid kan tot gehoorschade leiden. Wanneer u het gereedschap gedurende langere tijd gebruikt, draagt u gehoorscherming.

RISICOBEPERKING

Er zijn meldingen dat trillingen van handwerktuigen bij sommige mensen bijdragen tot het Syndroom van Raynaud. Symptomen kunnen ondermeer tintelingen, gevoelloosheid en bleek worden van de vingers omvatten, wat normaal gezien duidelijk wordt bij blootstelling aan koude. Erfelijke factoren, blootstelling aan koude en vocht, dieet, roken en werkroutine kunnen allemaal bijdragen tot de ontwikkeling van deze symptomen. Er kunnen door de bediener maatregelen worden genomen om de gevolgen van de trillingen te beperken:

- Houd bij koud weer uw lichaam warm. Draag handschoenen terwijl u het product gebruikt om de handen en polsen warm te houden. Men neemt aan dat koud weer een belangrijke factor is die bijdraagt tot het Syndroom van Raynaud.
- Doe oefeningen om de bloeddoorstroming te bevorderen na elke periode van gebruik.
- Neem regelmatig een pauze. Beperk het aantal uren dat u per dag wordt blootgesteld.

Wanneer u enige van de symptomen van deze aandoening ervaart, stop dan onmiddellijk met het gebruik van het toestel en raadpleeg uw dokter.

⚠ WAARSCHUWING

Letsels kunnen worden veroorzaakt of ernstiger worden door verlengd gebruik van een werktuig. Als u een werktuig gedurende langere periodes gebruikt, neem dan regelmatig pauze.

ONDERHOUD

⚠ WAARSCHUWING

De stekker van de schuurmachine mag niet in het stopcontact zitten als u onderdelen monteert, afstellingen wijzigt, de machine schoonmaakt of de klaar bent met u werk. Door het product los te koppelen van de stroomtoevoer voorkomt u incidenteel opstarten, wat ernstig letsel kan veroorzaken.

⚠ WAARSCHUWING

Voor onderhouds- en reparatiedoeleinden mogen uitsluitende originele vervangende onderdelen, accessoires en hulpstukken van de fabrikant worden gebruikt. Het gebruik van enige andere onderdelen kan gevaarlijk zijn of schade aan het toestel veroorzaken.

- Vermijd het gebruik van oplosmiddelen wanneer u kunststof onderdelen schoonmaakt. De meeste soorten plastic zijn gevoelig voor schade, veroorzaakt door verschillende soorten commerciële oplosmiddelen en kunnen door hun gebruik worden beschadigd. Gebruik een schone doek om vuil of stof te verwijderen.

⚠ WAARSCHUWING

Laat op geen elk moment remvloeistoffen, benzine, producten op petroleumbasis, penetrerende oliën, etc. in contact komen met kunststof onderdelen. Chemische stoffen kunnen kunststof beschadigen, verzwakken of vernietigen, wat kan leiden tot ernstige verwondingen.

⚠ WAARSCHUWING

For greater safety and reliability, all repairs should be performed by an authorised service centre.

KEN UW PRODUCT

Zie pagina 123.

Onderdelen

1. Zaagmes
2. Montageklem
3. Hendel snijbladklem
4. Aan/uit-vergrendelknop
5. Aan-/uit-hendel
6. Handvat
7. Aansluiting voor het accupak

SYMBOLEN OP HET PRODUCT



Waarschuwing



Lees en begrijp alle aanwijzingen voordat u het product gebruikt. Volg alle waarschuwingen en veiligheidsinstructies.



Draag gehoorbescherming



Draag gezichtsbescherming



Draag zware, antislip handschoenen.



Draag een masker.



Houd handen weg van snijbladen.



Stel niet bloot aan regen of vocht.



Gegarandeerd geluidsniveau 94 dB



Elektrisch afval mag niet samen met ander huishoudafval worden weggegooid. Gelieve te recyclen indien de mogelijkheid bestaat. Neem contact op met uw lokaal bestuur of handelaar om advies te krijgen over recyclage.



Dit apparaat voldoet aan alle geldende normen van Lid-Staat van de Europese Unie waar het werd gekocht.



EurAsian-symbool van overeenstemming



Oekraïens conformiteitssymbool

SYMBOLEN IN DEZE GEBRUIKSAANWIJZING



Onderdelen of accessoires afzonderlijk verkocht



Opmerking



Waarschuwing



Gevaar! Scherp snijblad



Snelheid, minimaal



Snelheid, max.

De volgende signaalwoorden en betekenissen zijn bedoeld om de gevaarniveaus die met het product zijn verbonden, te verklaren:

GEVAAR

Wijst op een gevaarlijke situatie die, als ze niet wordt voorkomen, dodelijk kan zijn of ernstige verwondingen kan veroorzaken.

WAARSCHUWING

Wijst op een mogelijks gevaarlijke situatie die, als ze niet wordt voorkomen, dodelijk kan zijn of ernstige verwondingen kan veroorzaken.

- EN
- FR
- DE
- ES
- IT
- NL**
- PT
- DA
- SV
- FI
- NO
- RU
- PL
- CS
- HU
- RO
- LV
- LT
- ET
- HR
- SL
- SK
- BG
- UK
- TR

No design da sua serra podadora sem fios, demos prioridade à segurança, ao desempenho e à fiabilidade.

USO PREVISTO

A serra podadora sem fios destina-se a ser utilizada apenas por adultos que tenham lido e compreendido as instruções e os avisos neste Manual e que possam ser considerados responsáveis pelas suas ações.

O produto apenas se destina a ser usado ao ar livre numa área bem ventilada.

O produto foi concebido para cortar e podar pequenos galhos e ramos com um diâmetro inferior ou igual a 80 mm.

O produto foi concebido para ser manipulado directamente com as mãos. O produto não se destina a ser montado numa bancada de trabalho, exceto quando o fabricante do produto der instruções específicas sobre como fazer essa montagem.

Não a use para nenhuma outra finalidade.

AVISOS GERAIS DE SEGURANÇA DA FERRAMENTA ELÉCTRICA

⚠️ ADVERTÊNCIA

Leia todas as instruções dos avisos de segurança, as ilustrações e as especificações técnicas fornecidas com este produto. O não cumprimento das instruções seguintes pode ocasionar acidentes como, por exemplo incêndios, choques eléctricos e/ou ferimentos graves.

ConsERVE estas advertências e instruções para que possa consultá-las mais tarde.

O termo “ferramenta eléctrica” nos avisos refere-se à ferramenta operada através de ligação à rede eléctrica (com fios) ou à ferramenta operada através de bateria (sem fios).

AMBIENTE DE TRABALHO

- **Mantenha a área de trabalho limpa e bem iluminada.** As áreas desordenadas ou escuras são um convite para acidentes.
- **Não opere ferramentas eléctricas em atmosferas explosivas, tais como na presença de líquidos inflamáveis, gases ou poeira.** As ferramentas eléctricas criam faíscas que podem causar a inflamação de poeiras ou vapores.
- **Ao operar esta ferramenta eléctrica, mantenha as crianças e as pessoas presentes afastadas.** Distrações podem fazer com que perca o controlo.

SEGURANÇA ELÉCTRICA

- **As fichas eléctricas da ferramenta têm de corresponder à tomada. Nunca altere a ficha seja de que maneira for. Não use quaisquer fichas adaptadoras com ferramentas de ligação com terra.** As fichas não modificadas e tomadas compatíveis reduzirão o risco de choque eléctrico.
- **Evite o contacto do corpo com superfícies com ligação terra ou enterradas, tais como tubos,**

radiadores, fogões e frigoríficos. Há um aumento do risco de choque eléctrico se o seu corpo estiver ligado à terra.

- **Não exponha este produto à chuva ou humidade elevada.** A entrada de água na ferramenta eléctrica aumentará o risco de choque eléctrico.
- **Não abuse do cabo de alimentação. Nunca use o cabo para carregar, puxar ou retirar a ficha da ferramenta da tomada. Mantenha o cabo afastado do calor, óleo, pontas afiadas ou peças móveis.** Os cabos danificados ou emaranhados aumentam o risco de choque eléctrico.
- **Ao operar uma ferramenta eléctrica ao ar livre, use um cabo de extensão apropriado para o uso ao ar livre.** A utilização de um cabo apropriado para o uso ao ar livre reduz o risco de choque eléctrico.
- **Se operar uma ferramenta eléctrica num local húmido é inevitável, use uma fonte com protecção de dispositivo de corrente residual (RCD).** O uso de um RCD reduz o risco de choque eléctrico.

SEGURANÇA PESSOAL

- **Ao operar esta ferramenta eléctrica, permaneça alerta, tenha em atenção ao que está a fazer e use o bom senso.** Não utilize a ferramenta eléctrica quando se sentir cansado ou se se encontrar sob a influência de drogas, álcool ou medicamentos. Um momento de desatenção enquanto opera estas ferramentas eléctricas pode resultar em ferimentos graves.
- **Utilizar equipamento de protecção. Use sempre protecção para os olhos.** Equipamento de protecção (por exemplo, máscara para poeiras, calçado antiderrapante, capacete ou protecção para os ouvidos) utilizado para as condições adequadas irá reduzir o risco de ferimentos.
- **Evite o arranque involuntário. Assegure-se de que o interruptor se encontra na posição de desligado antes de ligar à fonte de energia e/ou bateria, levantando ou transportando a ferramenta.** Transportar ferramentas eléctricas com o seu dedo no interruptor ou ligar à corrente ferramentas eléctricas que têm o interruptor ligado são um convite a acidentes.
- **Remova qualquer chave de ajuste antes de ligar a ferramenta eléctrica.** Uma chave-inglesa ou uma chave colocada numa peça móvel da ferramenta eléctrica pode causar lesões pessoais.
- **Não se aproxime em demasia. Fique sempre bem apoiado nas pernas e não estique demasiado o braço.** Isto possibilita um melhor controlo da ferramenta eléctrica em situações inesperadas.
- **Use roupas adequadas. Não use roupa larga ou acessórios de jóias. Mantenha o seu cabelo, roupa e luvas longe das peças móveis.** A roupa larga, jóias ou cabelo comprido podem ficar presos nas peças móveis.
- **Se são fornecidos os dispositivos para a ligação de espaços de extracção e recolha de pó, assegure-se de que estes se encontram conectados e usados correctamente.** A utilização de um colectador de pó pode reduzir os perigos relacionados com o pó.



- Estar familiarizado com as ferramentas por as utilizar com frequência não é razão para se tornar descuidado e para ignorar os princípios de segurança referentes a ferramentas. Uma ação imprudente pode provocar lesões graves numa fração de segundo.

UTILIZAÇÃO E MANUTENÇÃO DA FERRAMENTA ELÉCTRICA

- **Não force o produto. Use a ferramenta eléctrica correcta para a sua aplicação.** A ferramenta fará o seu trabalho melhor e de forma mais segura trabalhando ao ritmo para que foi concebida.
- **Não use uma ferramenta caso o interruptor não ligue e desligue a ferramenta eléctrica correctamente.** Qualquer ferramenta eléctrica que não possa ser controlada com o interruptor é perigosa e deve ser reparada.
- **Desligue a ficha da alimentação eléctrica e/ou a bateria da ferramenta antes de proceder a quaisquer ajustes, substituição de acessórios ou de armazenar a ferramenta.** Estas medidas de segurança preventivas reduzem o risco de arranque accidental da ferramenta eléctrica.
- **Armazene as ferramentas eléctricas fora do alcance das crianças e não permita que pessoas não familiarizadas com a ferramenta eléctrica ou com estas instruções utilizem a ferramenta eléctrica.** As ferramentas eléctricas são perigosas nas mãos de utilizadores inexperientes.
- **Realize a manutenção das ferramentas eléctricas. Verifique se existe desalinhamento ou emperramento das peças móveis, ruptura das peças e qualquer outra condição que possa ter afectado o funcionamento da ferramenta eléctrica. Se danificado, mande a ferramenta eléctrica ser reparada antes de a utilizar.** Muitos acidentes são causados por ferramentas eléctricas com fracas manutenções.
- **Mantenha as ferramentas de corte afiadas e limpas.** É menos provável que as ferramentas de corte com uma correcta manutenção e com pontas de corte afiadas fiquem presas e são mais fáceis de controlar.
- **Utilize a ferramenta, acessórios, peças eléctricas, etc., de acordo com estas instruções, tendo em conta as condições de trabalho e o trabalho que se vai realizar.** O uso da ferramenta eléctrica para as operações diferentes daquelas a que se destina podem causar uma situação perigosa.
- **Mantenha os cabos e as superfícies de agarre secos, limpos e livres de óleo ou gordura.** Os cabos e superfícies de fixação resvaladiças não permitem uma fixação e um controlo seguro da ferramenta em situações inesperadas.

UTILIZAÇÃO E MANUTENÇÃO DA BATERIA

- **Recarregue apenas com o carregador especificado pelo fabricante.** Um carregador que seja adequado para um tipo de bateria pode causar risco de incêndio, quando utilizado com outra bateria.
- **Use ferramentas eléctricas somente com baterias especificamente concebidas.** O uso de qualquer

outro tipo de bateria pode causar risco de lesões e incêndio.

- **Quando a bateria não estiver a ser utilizada, mantenha-a afastada de outros objectos metálicos como cliques de papel, moedas, chaves, pregos, parafusos, ou outros pequenos objectos metálicos que podem fazer a ligação de um terminal para outro.** Ligar os terminais da bateria em conjunto pode causar queimaduras ou um incêndio.
- **Sob circunstâncias abusivas, o líquido pode ser ejectado da bateria, evite o contacto. Se o contacto ocorrer acidentalmente, limpe com água abundante. Se o líquido entrar em contacto com os olhos, procure adicionalmente assistência médica.** O líquido ejectado da bateria pode causar irritação ou queimaduras.
- **Não use um conjunto de baterias ou uma ferramenta que tenha sido sofrido danos ou modificações.** Baterias danificadas ou modificadas podem ter um comportamento imprevisível, resultando em incêndio, explosão ou risco de ferimentos.
- **Não exponha um conjunto de baterias nem uma ferramenta ao fogo ou a temperaturas excessivas.** A exposição ao fogo ou a temperaturas acima de 130 °C pode causar uma explosão.
- **Siga todas as instruções de carregamento e não dê carga ao conjunto de baterias ou à ferramenta fora da amplitude de temperaturas especificada nas instruções.** O carregamento feito de forma incorrecta ou sob temperaturas fora da amplitude especificada pode danificar a bateria e aumentar o risco de incêndio.

MANUTENÇÃO

- **A manutenção da sua ferramenta eléctrica deve ser efectuada por uma pessoa qualificada para reparações, utilizando apenas peças de substituição idênticas.** Isto assegurará que a segurança da ferramenta eléctrica é mantida.
- **Nunca tente reparar nem fazer manutenção a conjuntos de baterias danificados.** Service of battery packs should only be performed by the manufacturer or authorised service providers.

AVISOS DE SEGURANÇA DA SERRA PODADORA SEM FIOS

- **Segure a ferramenta eléctrica pelas superfícies de pega isoladas, ao realizar uma operação em que o acessório possa entrar em contacto com fios eléctricos escondidos.** O acessório de corte que entre em contacto com um fio "ligado" pode tornar as peças de metal da ferramenta eléctrica condutivas e tal pode causar um choque eléctrico ao operador.
- **Use tornos ou outros métodos práticos para assegurar e fixar a peça de trabalho sobre uma plataforma estável.** Se segurar a peça com a mão ou a apoiar contra o corpo pode ficar instável, o que pode fazer perder o controlo.
- **Mantenha as mãos afastadas do alcance da serra.** Não tente alcançar a parte de baixo da peça de trabalho. O contacto com a serra pode provocar ferimentos.





- Calce luvas de proteção ao montar a lâmina da serra. Existe perigo ao tocar na lâmina da serra.
- Não segure o produto com uma mão sobre ou em torno do interruptor para ligar/desligar e o gatilho ao mudar a lâmina da serra. Existe perigo de ferimentos ao ativar inadvertidamente o interruptor para ligar/desligar.
- Ao substituir a lâmina de serra, verifique se o suporte não tem resíduos, como aparas de madeira ou metal.
- Segure firmemente o produto com uma mão no punho ao serrar.
- Não toque no gancho, na lâmina ou nas aberturas de ventilação ao serrar.
- Depois de serrar, a lâmina da serra pode estar quente. Permita que a lâmina arrefeça antes de tocar na mesma.
- Use o dispositivo de recolha de pó ou conecte um aspirador para extração de pó ao utilizar o produto.
- Informações relativas à capacidade de corte.
- Instruções sobre como ajustar a ferramenta para diferentes posições da lâmina da serra, conforme aplicável.
- Se o produto entrar em paragem espontânea, irá recomeçar a funcionar automaticamente. Desligue imediatamente o produto se entrar em paragem espontânea. Não volte a ligar o produto no interruptor enquanto o produto ainda estiver em paragem espontânea, porque isso poderá causar um ressalto súbito, com uma grande força de reação. Descubra o problema que fez o produto entrar em paragem espontânea e corrija-o, certificando-se de que cumpre todas as instruções de segurança.
- A amplitude de temperatura ambiente para a ferramenta (o produto) durante o funcionamento é entre 0 °C e 40 °C.
- A amplitude de temperatura ambiente para a ferramenta em armazenamento é entre 0 °C e 40 °C.
- A amplitude de temperatura ambiente recomendada para o sistema de carregamento durante o carregamento é entre 10 °C e 38 °C.

AVISOS DE SEGURANÇA ADICIONAIS DAS BATERIAS

⚠ ADVERTÊNCIA

Para evitar o risco de incêndio, de feridas ou de danificação do produto causado por um curto-circuito, não imerja a bateria intercambiável ou o carregador em líquidos e assegure-se de que líquidos não penetrem nos aparelhos ou nas baterias. Líquidos corrosivos ou condutivos como água salgada, determinadas substâncias químicas ou produtos que contenham branqueadores podem causar um curto-circuito.

- A amplitude de temperatura ambiente para a bateria durante a utilização é entre 0 °C e 40 °C.
 - A amplitude de temperatura ambiente para a bateria em armazenamento é entre 0 °C e 20 °C.
- Separe o lixo eletrónico corretamente, removendo as baterias integradas da unidade principal antes de deitar fora. Entregue-as nos pontos de recolha aplicáveis.
 - Para retirar a unidade da bateria integrada, separe as partes da caixa exterior retirando os parafusos. Desconecte a bateria do circuito e retire.
 - **NOTA:** Quando aberto, o produto já não pode ser reutilizável ou sujeito a reparação e deve ser eliminado adequadamente.
 - Antes de retirar a bateria da ferramenta elétrica, ligue o produto até que a bateria fique totalmente descarregada.
 - Certifique-se de que a bateria a ser eliminada não pode entrar em contacto com pilhas, outras baterias ou materiais condutores, protegendo os conectores expostos com tampões ou fita de isolamento, não condutores.

TRANSPORTE DE BATERIAS DE LÍTIU

Transporte as baterias em conformidade com as disposições e regulamentos locais e nacionais.

Siga todos os requisitos especiais na embalagem e rótulos ao transportar baterias por um terceiro. Certifique-se de que nenhuma bateria pode entrar em contato com outras baterias ou materiais condutores durante o transporte protegendo os conectores expostos com tampas ou fita isoladora e não condutora. Não transporte baterias que estejam rachadas ou com fugas. Confirme com a empresa de envio para mais conselhos.

RISCOS RESIDUAIS

Mesmo quando se utiliza o produto segundo as instruções, continua a ser impossível eliminar por completo certos fatores de risco residuais. Os seguintes perigos podem surgir na utilização e o operador deve prestar especial atenção para evitar o seguinte:

- Lesões por vibração
 - Utilize a regulação de velocidade mais baixa que realize o corte. Limite a exposição. Veja a secção “Redução de Riscos” neste Manual.
- Prejuízo causado pela poeira
 - O pó pode entrar nos olhos e no aparelho respiratório. Use sempre proteção para os olhos. Use uma máscara de controlo do pó indicada com filtros de pó adequados para proteger das partículas produzidas pelo corte do material. Não coma, beba ou fume na área de trabalho. Certifique-se de que existe uma ventilação adequada.
- ferimentos provocados por choque elétrico
 - A lâmina pode entrar em contacto com cablagem oculta, fazendo com que partes do produto fiquem “eletrificadas”. Segure sempre o produto pelas asas designadas e tome cuidado ao cortar em paredes e pisos onde os cabos podem ficar escondidos.
- dano produzido por contacto com as lâminas
 - As lâminas são muito afiadas e ficam quentes durante a utilização. Use luvas ao trocar as lâminas. Mantenha sempre as mãos afastadas da área de corte. Fixe a peça de trabalho sempre que possível.



- Lesões devido ao ruído
 - O ruído pode danificar a audição. Ao utilizar ferramentas elétricas durante um período de tempo prolongado, utilize proteções auditivas.

REDUÇÃO DO RISCO

Foi reportado que as vibrações das ferramentas de mão podem contribuir para uma doença designada de Síndrome de Raynaud em determinados indivíduos. Os sintomas podem incluir formigamento, entorpecimento e empalidecimento dos dedos, habitualmente visível aquando da exposição ao frio. Estima-se que os factores hereditários, exposição ao frio e humidade, dieta, tabagismo e práticas de trabalho contribuem todos para o desenvolvimento destes sintomas. Existem medidas que podem ser tomadas pelo operador para possivelmente reduzir os efeitos da vibração:

- Mantenha o seu corpo quente durante o tempo frio. Ao operar o produto, use luvas para manter as mãos e os pulsos quentes. Encontra-se reportado que o tempo frio é um grande factor que contribui para o Síndrome de Raynaud.
- Após cada período de operação, exercite para aumentar a circulação sanguínea.
- Faça pausas frequentes no trabalho. Limite o tempo de exposição por dia.

Caso sinta algum dos sintomas desta doença, interrompa de imediato a sua utilização e consulte o seu médico sobre estes sintomas.

⚠ ADVERTÊNCIA

O uso prolongado de uma ferramenta pode causar o agravar lesões. Ao usar qualquer ferramenta durante períodos prolongados, assegure-se que faz intervalos regulares.

MANUTENÇÃO

⚠ ADVERTÊNCIA

A sua lixadeira nunca deve ser ligada a uma tomada de corrente quando montar peças, efectuar ajustes, quando limpar a sua ferramenta ou quando não a utilizar. Desligar o produto da fonte de alimentação eléctrica irá impedir o arranque acidental que poderia causar ferimentos graves.

⚠ ADVERTÊNCIA

Quando prestar assistência técnica, utilize apenas peças de substituição e acessórios do fabricante de origem. O uso de quaisquer outras peças pode criar perigo ou causar danos ao aparelho.

- Evite usar solventes ao limpar as peças de plástico. A maioria dos plásticos é susceptível de sofrer danos de vários tipos de solventes comerciais e podem ser danificados pelo seu uso. Utilize um pano limpo para remover as sujidades, o pó, etc.

⚠ ADVERTÊNCIA

Nunca, em qualquer momento, deixe que fluidos de travagem, gasolina, produtos petrolíferos, óleos de perfuração, etc., entrem em contacto com as peças de plástico. Os químicos podem danificar, enfraquecer ou destruir o plástico, o que pode resultar em lesões graves.

⚠ ADVERTÊNCIA

Para uma maior segurança e fiabilidade, todas as reparações devem ser realizadas por um centro de assistência autorizado.

CONHEÇA O SEU APARELHO

Ver a página 123.

Peças

1. Lâmina de serra
2. Pinça de montagem
3. Manipulo da pinça da lâmina
4. Botão de bloqueio do gatilho
5. Gatilho
6. Manipulo
7. Ligação à bateria

SÍMBOLOS NO PRODUTO



Aviso



Antes de utilizar este produto, leia e compreenda todas as instruções neste Manual. Siga todos os avisos e todas as instruções de segurança.



Use protecção para os ouvidos.



Usar protecção para os olhos



Use luvas de trabalho resistentes, antideslizantes.



Coloque uma máscara.



Mantenha as mãos afastadas das lâminas.



Não o exponha à chuva ou a condições de humidade.



Nível de potência sonora garantido 94 dB



Os aparelhos eléctricos antigos não devem ser eliminados juntamente com o lixo doméstico. Recicle onde existem instalações para o efeito. Verifique com as suas Autoridades Locais ou revendedor para obter informações sobre reciclagem.



Esta ferramenta obedece a todas as normas regulamentares do país da UE onde foi comprada.



Marca de conformidade EurAsian



Marca de conformidade ucraniana

001

SÍMBOLOS NESTE MANUAL



As peças ou acessórios vendem-se separadamente



Nota



Aviso



Perigo! Lâmina afiada



Velocidade, mínimo



Velocidade, máximo

As seguintes palavras de sinal e significados destinam-se a explicar os níveis de risco associados a este produto:

PERIGO

Indica uma situação perigosa iminente, que, se não evitada, poderá resultar em morte ou ferimentos graves.

ADVERTÊNCIA

Indica uma situação potencialmente perigosa, que, se não evitada, poderá conduzir à morte ou graves lesões.

ADVERTÊNCIA

Indica uma situação potencialmente perigosa, que, se não evitada, poderá resultar em pequenas ou moderadas lesões.

ADVERTÊNCIA

(Sem símbolo de segurança) Indica uma situação que pode provocar danos materiais.



Ved udformningen af din ledningsfri beskæringssav har vi givet topprioritet til sikkerhed, ydelse og driftssikkerhed.

TILTÆNK ANVENDELSESFORMÅL

Den ledningsfri beskæringssav er kun beregnet til at blive anvendt af voksne personer, der har læst og forstået instruktionerne og advarslerne i denne brugsvejledning, og som kan betragtes som værende ansvarlige for deres handlinger.

Produktet er kun beregnet til brug i det fri i et godt ventileret område.

Produktet er designet til skæring og beskæring af små kviste og grene med en diameter, der er mindre end eller svarende til 80 mm.

Produktet er designet til håndholdt brug. Produktet må ikke monteres på en arbejdsbænk, medmindre specifikke instruktioner om, hvordan dette foretages, er givet af fabrikanten af produktet.

Må ikke bruges til andre formål.

GENERELLE SIKKERHEDSADVARSLER FOR EL-VÆRKTØJ

⚠ ADVARSEL

Læs alle omhyggeligt alle advarsler, anvisninger og specifikationer, som følger med maskinen, og studer illustrationerne. Hvis nedenstående forskrifter ikke overholdes, kan der ske uheld og ulykker som brand, elektrisk stød og/eller alvorlige personskader.

Gem vejledningen med advarsler og anvisninger til senere opslag.

Med udtrykket "elværktøj" i advarslerne henvises til dit lysnet-drevne (via ledning) elværktøj eller batteridrevne (ledningsfri) elværktøj.

ARBEJDSOMGIVELSER

- **Hold arbejdsområdet rent og godt oplyst.** Rodede eller mørke områder inviterer til ulykker.
- **Brug ikke elværktøjer i eksplosive omgivelser som fx i nærheden af brandbar væske, gas eller støv.** Elværktøjer udløser gnister, som kan antænde støvet eller dampene.
- **Der må ikke være børn og tilskuere i nærheden, når et elværktøj anvendes.** Distractioner kan medføre, at du mister kontrollen.

ELEKTRISK SIKKERHED

- **Elværktøjets elstik skal passe til elnetkontakten.** Elstikket må aldrig modificeres på nogen som helst måde. Undlad brug af adapterstik til jordede (stelforbundne) elværktøjer. Umodificerede elstik og passende elnetkontakter reducerer faren for elektrisk stød.
- **Undgå kropskontakt med jordede eller stelforbundne overflader som fx rør, radiatorer, komfurer og køleskabe.** Der er forøget risiko for elektrisk stød, hvis din krop er forbundet med jord eller stel.

- **Dette produkt må ikke udsættes for regn eller fugt.** Hvis der trænger vand ind i et elværktøj, øges faren for elektrisk stød.
- **Undlad at misbruge ledningen. Ledningen må aldrig bruges til at bære eller trække i elværktøjet eller til at trække stikket ud. Ledningen må ikke komme i nærheden af varme, olie, skarpe kanter eller bevægelige dele.** Beskadigede eller sammenfiltrede ledninger øger faren for elektrisk stød.
- **Når et elværktøj anvendes i det fri, skal der bruges en forlængerledning, der er egnet til udendørs brug.** Brug af ledninger beregnet til udendørs brug reducerer faren for elektrisk stød.
- **Hvis man er nødt til at bruge et elværktøj i fugtige omgivelser, skal strømforsyningen have en fejlstrømsafbryder (RCD-afbryder).** Brug af fejlstrømssikring reducerer faren for elektrisk stød.

PERSONLIG SIKKERHED

- **Når man bruger et elværktøj, skal man være agtpågivende, iagttage hvad man gør og bruge sund fornuft. Undlad at bruge et elværktøj, hvis du er træt eller påvirket af narkotika, alkohol eller medikamenter.** Et øjebliks uopmærksomhed under brug af motoriserede værktøjer kan medføre alvorlige personskader.
- **Brug personlige værnemidler. Brug altid øjenværn.** Personlige værnemidler som støvmaske, skridsikre sikkerhedssko, beskyttelseshjelm eller høreværn anvendt under de rette betingelser nedsætter antallet af personskader.
- **Forebyg utilsigtet start. Kontrollér, at kontakten er i pos. OFF (=slukket), inden værktøjet sluttes til strømkilde og/eller batteri, samles op eller bæres.** At bære elværktøjer med fingeren på kontakten eller at slutte strøm til elværktøjer med tændt kontakt er at invitere til ulykker.
- **Fjern evt. skruenøgler, inden der tændes for elværktøjet.** En efterladt skruenøgle fastgjort til en roterende del af elværktøjet kan medføre personskader.
- **Overstræk ikke. Sørg for altid at have godt fodfæste og god balance.** Dette giver bedre kontrol over elværktøjet i uventede situationer.
- **Vær ordentligt klædt på. Bær ikke løftsiddende tøj eller smykker. Keep your hair and clothing away from moving parts.** Løstsiddende tøj, smykker eller langt hår kan hænge fast i bevægelige dele.
- **Hvis der findes anordninger for tilslutning af støvudsugnings- og -opsamlingsudstyr, skal disse tilsluttes og anvendes korrekt.** Brug af støvopsamling kan reducere støvrelaterede faremomenter.
- **Lad ikke fortrøgheden, der er opstået ud fra hyppig brug af et redskab, påvirke dig til at være tilbagelænet og ignorere sikkerhedsprincipper.** En uforsigtig handling kan forårsage alvorlige personskader på en brøkdal af et sekund.

BRUG OG PLEJE AF ELVÆRKTØJ

- **Undlad at tvinge produktet. Brug elværktøjet til det tiltænkte anvendelsesformål.** Det korrekte elværktøj klarer opgaven bedre og sikrer med den hastighed, det er designet til.





- **Elværktøjet må ikke tages i brug, hvis TÆND/SLUK-kontakten ikke virker.** Et elværktøj, der ikke kan kontrolleres med TÆND/SLUK-kontakten, er farligt og skal repareres.
- **Inden udførelse af justeringer, udskiftning af tilbehør eller opbevaring af elværktøjer skal elstikket trækkes ud af elnetkontakten, og/eller batteriet skal tages ud af elværktøjet.** Disse forebyggende sikkerhedsforanstaltninger reducerer faren for utilsigtet start af elværktøjet.
- **Når elværktøjer ikke bruges, skal de opbevares utilgængeligt for børn; personer, som ikke er fortrolige med elværktøjet eller denne brugsanvisning, må ikke anvende elværktøjet.** Elværktøjer er farlige i hænderne på ukyndige brugere.
- **Elværktøjer skal vedligeholdes. Kontrollér, om der er forkert indjusterede eller forbundne bevægelige dele, afbrækkede dele samt andre tilstande, som kan påvirke elværktøjets funktionsmåde. Hvis der konstateres skader, skal elværktøjet repareres inden brug.** Mange ulykker skyldes dårligt vedligeholdte elværktøjer.
- **Skærende værktøjer skal holdes skarpe og rene.** Korrekt vedligeholdte skærende værktøjer med skarpe skær er mindre tilbøjelige til at binde/blokere og er lettere at kontrollere.
- **Brug elværktøjet, tilbehøret og værktøjs-bits osv. som foreskrevet i denne brugsanvisning, og tag højde for arbejdsforholdene og den aktuelle arbejdsopgave.** Brug af elværktøjet i strid med de tiltænkte anvendelsesformål kan medføre farlige situationer.
- **Hold håndtagene og gribefladerne tørre, rene og fri for olie og fedt.** Glatte håndtag og gribeflader umuliggør sikker håndtering og kontrol af redskabet i uventede situationer.

BRUG OG PLEJE AF BATTERIVÆRKTØJ

- **Opladning må kun finde sted med den af producenten foreskrevne oplader.** En oplader, der er beregnet til én type batteri, kan udgøre en brandrisiko, hvis den bruges til en anden batteritype.
- **Brug kun elværktøjer sammen med specifikt godkendte batterier.** Brug af andre batterityper kan medføre fare for personskade og brand.
- **Når batteriet ikke bruges, må det ikke opbevares sammen med metalgenstande som fx papirclips, mønter, nøgler, søm, skruer eller andre metalgenstande, som kan skabe forbindelse mellem batteriets poler.** Hvis batteriets poler kortsluttes, kan det forårsage forbrændinger eller ildebrand.
- **Hvis batteriet misbruges, kan der sprøjte væske ud af det; undgå kontakt med batterivæsken. Ved kontakt med batterivæsken skylles der med vand. Hvis der kommer væske i øjnene, søges desuden læge.** Udsprøjtet batterivæske kan forårsage irritation eller forbrændinger.
- **Brug ikke et batteri eller værktøj, der er beskadiget eller modificeret.** Beskadigede eller modificerede batterier kan være ustabile, hvilket kan medføre brand, eksplosion eller personskade.

- **Udsæt ikke batteri eller værktøj for åben ild eller høje temperaturer.** Udsættelse for ild eller temperaturer over 130 °C kan medføre eksplosion.
- **Følg vejledningen for opladning, og oplad ikke batteriet eller værktøjet uden for det temperaturområde, der er angivet i vejledningen.** Forkert opladning eller opladning ved temperaturer uden for det angivne område kan beskadige batteriet og øge risikoen for brand.

VEDLIGEHOLDELSE

- **Sørg for, at elværktøjet serviceres af en kvalificeret reparatør, som kun benytter sig af originale reservedele.** Herved garanteres sikkerheden for elproduktet.
- **Efterse aldrig beskadigede batteripakker.** Eftersyn af batteripakker bør kun udføres af producenten eller autoriserede serviceleverandører.

SIKKERHEDSADVARSEL FOR LEDNINGSFRI BESKÆRINGSSAV

- Hold maskinværktøjet i de isolerede gribeoverlader, når der arbejdes på steder, hvor man kan komme til at skære i skjulte ledninger. Hvis der skæres i en strømførende ledning, kan det gøre udsatte metaldele af maskinværktøjet strømførende og give operatøren elektrisk stød.
- Brug skruestik eller lignende til at fastgøre og understøtte emnet til en stabil overflade. Holdes emnet i hænderne eller ind mod kroppen, bliver det ustabil, og man risikerer at miste kontrollen.
- Hold hænderne udenfor savelængden. Ræk ikke hånden ind under emnet. Kontakt med savbladet kan medføre personskader.
- Anvend beskyttelseshandsker, når du påsætter savklingen. Der er fare for personskade, når du berører savklingen.
- Hold ikke produktet med en hånd på eller omkring tænd/sluk kontakten og udløseren, når der skiftes savklinge. Der er fare for personskade, når der utilsigtet tændes for tænd/sluk kontakten.
- Når man skifter savklinge, skal man sikre sig, at klingeholderen er fri for materialerester som fx træ- eller metalspåner.
- Hold godt fast i produktet med en hånd på håndtaget, mens du saver.
- Berør ikke kroge, klingen eller luftåbningerne under savning.
- Savklingen kan være varm efter savning. Lad savklingen køle af, inden den røres.
- Brug støvopsamlingsenheden, eller tilslut en støvudsugninganordning, når produktet benyttes.
- Oplysninger om skæreevne.
- Instruktion i justering af værktøjet til forskellige savklingepositioner, hvis det er relevant.
- Produktet genstarter automatisk, hvis det er gået i stå. Sluk straks for produktet, hvis det går i stå. Tænd ikke for produktet igen, mens det er gået i stå, fordi det kunne udløse et pludseligt tilbageslag med en høj



reaktiv kraft. Slå fast, hvorfor produktet gik i stå, og foretag udbedring af dette, og tag samtidig højde for sikkerhedsanvisningerne.

- Omgivelsestemperaturområdet for værktøj (produkt) under betjening er mellem 0°C og 40°C.
- Omgivelsestemperaturområdet for værktøj under opbevaring er mellem 0°C og 40°C.
- Det anbefalede omgivelsestemperaturområde for ladesystemet under opladning er mellem 10°C og 38°C.

YDERLIGERE SIKKERHEDSADVARSLER OM BATTERI

⚠ ADVARSEL

For at undgå risiko for brand, kvæstelser eller beskadigelse af produktet forårsaget af kortslutning må værktøjet, batteripakken eller opladeren ikke nedsænkes i vand. Sørg ligeledes for, at der ikke trænger væske ind i enhederne og batterierne. Korroderende eller ledende væsker, f.eks. saltvand, bestemte kemikalier, blegestoffer eller produkter, som indeholder blegemidler, kan forårsage kortslutning.

- Omgivelsestemperaturområdet for batteri under brug er mellem 0°C og 40°C.
- Omgivelsestemperaturområdet for batteriopbevaring er mellem 0°C og 20°C.
- Elektronisk affald skal separeres korrekt ved at fjerne indbyggede batterier fra hovedenheden inden bortskaffelse. De skal afleveres på autoriserede indsamlingssteder.
- For at fjerne den integrerede batteripakke skal du adskille husets dæksler ved at fjerne skruerne. Man kobler batteriet fra kredsløbet, og tager det ud.
- **BEMÆRK:** Når produktet er åbnet, kan det ikke længere anvendes eller serviceres og bør derfor bortskaffes efter gældende miljøregler.
- Inden man fjerner batteriet fra elværktøjet, skal man lade produktet køre, indtil batteriet er helt afladet.
- Sørg for, at det batteri, der skal bortskaffes, ikke kan komme i kontakt med andre batterier eller ledende materialer ved at beskytte kontakterne med isolerende, ikke-ledende hætter eller tape.

TRANSPORT AF LITHIUM-BATTERIER

Batterier skal transporteres i henhold til lokale og nationale forskrifter og love.

Når batterier skal transporteres af tredjepart, skal alle specielle krav til emballering og mærkning overholdes. Man skal sikre sig, at ingen batterier under transporten kan komme i kontakt med andre batterier eller ledende materialer ved at beskytte blottede konnektorer med isolerende, ikke-ledende hætter eller tape. Undlad at transportere batterier med revner eller utætheder. Rådfør dig desuden med speditøren.

UUNDGÅELIGE RISICI

Selv om produktet anvendes som foreskrevet, er det stadig umuligt at eliminere visse uundgåelige risikofaktorer fuldstændigt. Følgende risici kan opstå under brug, og operatøren bør være særligt opmærksom for at undgå følgende:

- Personskader forårsaget af vibration
 - Brug den lavest mulige hastighedsindstilling, der stadig kan udføre skæringen. Begræns eksponering. Se afsnittet "Risikoreducering" i denne manual.
- Personskader forårsaget af støv
 - Man kan få støv i øjnene eller luftvejene. Der skal altid benyttes øjenværn. Bær passende støvkontrolmaske med filtre egnet til beskyttelse mod partikler fra materiale, der bliver skåret. Undlad at spise, drikke eller ryge i arbejdsområdet. Sørg for tilstrækkelig ventilation.
- personskade forårsaget af elektrisk stød
 - Klingen kan ramme skjulte ledninger, hvorved dele af produktet kan blive "elektrisk". Hold altid produktet i de hertil indrettede håndtag, og pas på ved blindskæring i vægge og gulve, hvor der kan være skjulte kabler.
- personskade pga. kontakt med knivene
 - Klingerne er meget skarpe og bliver varme under brug. Benyt handsker, når der skiftes klinger. Hænderne skal altid holdes på afstand af skæreamrådet. Emnet skal så vidt muligt altid fastspændes.
- Personskader forårsaget af støj
 - Støj kan skade hørelsen. Når man anvendes elektriske værktøjer i længere tid ad gangen, skal man benytte høreværn.

RISIKOREDUKTION

Der er rapporteret om, at vibrationer fra håndholdte værktøjer kan være medvirkende til en lidelse kaldet Raynauds syndrom hos visse personer. Symptomerne herpå kan være prikken, følelsesløshed og blegning af fingrene, der normalt viser sig ved kuldepåvirkning. Faktorer som arvelighed, udsættelse for kulde og fugt, kost, rygning og arbejdsvaner menes alle at medvirke til udviklingen af disse symptomer. Der findes forholdsregler, som operatøren kan træffe for at begrænse påvirkningen fra vibrationer:

- Hold kroppen varm i koldt vejr. Brug handsker, så hænder og vrister holdes varme under arbejdet. Der er rapporteret om, at koldt vejr er en væsentlig faktor til Raynauds syndrom.
- Motionér efter hver arbejdsperiode for at øge blodcirkulationen.
- Hold hyppige arbejds pauser. Begræns eksponeringen for vibrationer pr. dag.

Hvis du mærker nogen af symptomerne på denne tilstand, skal du straks ophøre med arbejdet og søge læge.

⚠ ADVARSEL

Længere tids brug af et værktøj kan forårsage - eller forværre - personskader. Når man bruger et værktøj i længere perioder ad gangen, skal man huske at holde hyppige pauser.

VEDLIGEHOLDELSE

⚠ ADVARSEL

Slibemaskinen må aldrig være tilsluttet stikkontakten under montering af dele, indstilling, rensning, eller når den ikke er i brug. Frakobling af produktet fra strømforsyningen vil forhindre utilsigtet start, hvilket kan medføre alvorlig personskade.

⚠ ADVARSEL

Brug kun producentens originale reservedele, tilbehør og anordninger ved servicearbejde. Anvendelse af andre dele kan føre til fare eller beskadigelse af produktet.

- Undgå brug af opløsningsmidler til rengøring af plastdele. De fleste typer plastic kan tage skade ved brug af forskellige opløsemidler. Fjern snavs, støv m.v. med en ren klud.

⚠ ADVARSEL

Sørg for, at bremsevæske, benzin, petroleumsbaserede produkter, penetreringsolie, mv., aldrig kommer i kontakt med plastdele. Kemikalier kan beskadige, blødgøre eller ødelægge plast, hvilket kan medføre alvorlige personskader.

⚠ ADVARSEL

For bedre sikkerhed og pålidelighed skal alt reparationsarbejde udføres på et autoriseret servicecenter.

KEND PRODUKTET

Se side 123.

Dele

1. Savklinge
2. Monteringsklemme
3. klingens spændehåndtag
4. Udløser-låseknop
5. Udløser
6. Håndtag
7. Batteriets forbindelsessted

SYMBOLER PÅ PRODUKTET



Sikkerheds Varsel



Læs og forstå alle anvisninger inden betjening af produktet. Overhold alle advarsler og sikkerhedsanvisninger.



Benyt høreværn.



Benyt øjenværn



Brug friktionsfri, kraftige handsker.



Bær maske.



Hold hænderne på afstand af knivene.



Må ikke udsættes for regn eller bruges på fugtige steder.



Garanteret støjniveau 94 dB



Elektriske affaldsprodukter bør ikke afskaffes sammen med husholdningsaffald. Genbrug venligst hvor faciliteterne tillader dette. Tjek med din lokale kommune eller forhandler for genbrugsråd.



Dette redskab overholder alle lovkrav og standarder i det EU-land, hvor det er købt.



EurAsian overensstemmelsesmærke



Ukrainsk overensstemmelsesmærke

SYMBOLER I DENNE BRUGSANVISNING



Dele eller tilbehør, der sælges separat



Bemærk



Advarsel



Fare! Skarp klinge



Hastighed, mindste



Hastighed, max

Formålet med nedenstående signalord og betydninger er at tydeliggøre risikoniveauet i forbindelse med produktet:

⚠ FARE

Indikerer en meget farlig situation, som hvis ikke undgås, kan føre til alvorlige skader og i værste fald døden.

⚠ ADVARSEL

Indikerer en potentielt farlig situation, som hvis ikke undgås, kan føre til alvorlige skader og i værste fald døden.

⚠ PAS PÅ

Indikerer en potentielt farlig situation, som hvis ikke undgås, kan føre til mindre eller moderate skader.

PAS PÅ

(Uden sikkerhedssymbol) indikerer en situation som kan føre til skade af personlig ejendom.

Säkerhet, prestanda och pålitlighet har fått högsta prioritet vid utformningen av din sladdlösa beskärningssåg.

ANVÄNDNINGSSOMRÅDE

Den sladdlösa beskärningssågen är endast avsedd för vuxna användare som har läst och förstått instruktionerna och varningarna i denna manual, och som kan anses vara ansvariga för sina handlingar.

Produkten är enbart avsedd för utomhusbruk på väl ventilerade områden.

Produkten är utformad för klippning och beskärning av små grenar och kvistar med en diameter mindre än eller lika med 80 mm.

Produkten är utformad för bärbar användning. Produkten får inte monteras på en arbetsbänk, såvida inte tillverkaren av produkten har givit specifika anvisningar om hur detta ska göras.

Får ej användas för annat ändamål.

ALLMÄNNA SÄKERHETSFÖRESKRIFTER FÖR ELVERKTYG

⚠ VARNING

Studera alla säkerhetsvarningar och -instruktioner, illustrationer och specifikationer som följer med denna produkt. Underlåtenhet att respektera dessa föreskrifter kan leda till olyckor som brand, elektriska stötar och/eller allvarliga kroppsskador.

Spara dessa varningar och instruktioner för senare behov.

Termen "kraftverktyg" i varningarna hänvisar till ditt eldrivna (med sladd) verktyg eller ditt batteridrivna (utan sladd) verktyg.

ARBETSMILJÖ

- **Håll arbetsområdet rent och välupplyst.** Oordnade och mörka områden inbjuder till olyckor.
- **Använd inte kraftverktyg i explosiva atmosfärer, exempelvis i närheten av brännbara vätskor, gaser eller damm.** Kraftverktyg ger upphov till gnistor vilka kan antända damm eller ångor.
- **Håll barn och åskådare borta när du använder ett kraftverktyg.** Distractioner kan få dig att tappa kontrollen.

ELEKTRISK SÄKERHET

- **Kraftverktygets kontakt måste matcha uttaget. Modifiera inte kontakten på något sätt. Använd inga adapterkontakter med jordade kraftverktyg.** Omodifierade kontakter och matchande uttag minskar risken för elektrisk stöt.
- **Undvik kroppskontakt med jordade ytor, som exempelvis rör, element, spis och kylskåp.** Det föreligger en förhöjd risk för elektrisk stöt om din kropp är jordad.
- **Exponera inte produkten för regn eller våta förhållanden.** Vatten som tränger in i ett kraftverktyg ökar risken för elektrisk stöt.

- **Misshandla inte sladden. Använd aldrig sladden för att bära, dra eller koppla bort kraftverktyget. Håll sladden borta från värme, olja, vassa kanter och rörliga delar.** Skadade eller intrasslade elsladdar ökar risken för elektrisk stöt.
- **Använd en förlängningsladd avsedd för utomhusbruk när du använder kraftverktyget utomhus.** Användning av en sladd lämplig för utomhusbruk minskar risken för elektrisk stöt.
- **Använd en jordfelsbrytare om det är oundvikligt att använda ett kraftverktyg i en fuktig miljö.** Användningen av en jordfelsbrytare minskar risken för elektrisk stöt.

PERSONLIG SÄKERHET

- **Var uppmärksam på vad du gör och använd sunt förnuft när du använder ett kraftverktyg. Använd inte ett kraftverktyg när du är trött eller påverkad av droger, alkohol eller mediciner.** Ett ögonblicks ouppmärksamhet när du använder kraftverktyg kan orsaka allvarlig personskada.
- **Använd skyddsutrustning. Bär alltid ögonskydd.** Skyddsutrustning som en dammskyddsmask, halkfria skyddsskor, en hård hjälm eller hörselskydd som används under lämpliga förhållanden minskar personskador.
- **Förhindra oavsiktlig start. Säkerställ att strömbrytaren är i av-läge innan du ansluter till uttaget och/eller batteripacket, innan du lyfter upp verktyget och innan du bär det.** Att bära kraftverktyg med fingret på avtryckaren eller kraftverktyg som är igång bjuder in olyckor.
- **Ta bort eventuella justerings- eller skiftnycklar innan du startar kraftverktyget.** En skiftnyckel eller justeringsnyckel som lämnas kvar i en roterande del av kraftverktyget kan orsaka personskada.
- **Sträck dig inte. Ha alltid ett bra fotfäste och en god balans.** Det ger dig bättre kontroll över kraftverktyget i oväntade situationer.
- **Klä dig korrekt. Använd inte löst åtsittande kläder eller smycken. Keep your hair and clothing away from moving parts.** Lösliggande kläder, smycken och långt hår kan fastna i rörliga delar.
- **Om några uppsamlingsenheter för damm och avfall medföljer ska dessa vara anslutna och användas på ett korrekt sätt.** Användningen av en dammuppsamlare kan minska dammrelaterade faror.
- **Låt inte den erfarenhet som följer med vana vid verktygsanvändning göra dig oförsiktig och ignorera säkerhetsprinciper för verktygsanvändningen.** En oförsiktig handling kan orsaka allvarlig personskada på bara bråkdelar av en sekund.

ANVÄND OCH TA HAND OM KRAFTVERKTYGET

- **Tvinga inte produkten. Använd rätt kraftverktyg för ditt jobb.** Rätt kraftverktyg gör jobbet bättre och säkrare om det används i den takt som det är designat för.
- **Använd inte kraftverktyget om strömbrytaren inte fungerar för att stänga av och sätta på verktyget.** Alla kraftverktyg som inte kan kontrolleras med strömbrytaren är farliga och måste repareras.



- **Koppla bort kontakten från uttaget och/eller ta bort batteripacket från kraftverktøget innan du utför några justeringar, byter ut tillbehör eller förvarar kraftverktøget.** Sådana förebyggande åtgärder minskar risken för att kraftverktøget startar oavsiktligt.
- **Förvara avstängda kraftverktøg utom räckhåll för barn och låt inte personer som är obekanta med kraftverktøg, eller dessa instruktioner, använda kraftverktøget.** Kraftverktøg är farliga i händerna på otränade användare.
- **Underhåll dina kraftverktøg.** Kontrollera så att inga rörliga delar är felinriktade eller sitter fast, att inga delar har gått sönder samt att ingenting annat föreligger som kan påverka kraftverktøgets användning. Reparera kraftverktøget innan användning om det är skadat. Många olyckor uppstår på grund av dåligt underhållna kraftverktøg.
- **Håll skärverktøg vassa och rena.** Korrekt underhållna skärverktøg med vassa skärkanter fastnar inte lika lätt och är lättare att kontrollera.
- **Använd kraftverktøget, tillbehören och borrspetsar etc. i enlighet med dessa anvisningar och ta hänsyn till arbetsförhållanden och det jobb som ska utföras.** Användning av kraftverktøget till andra saker än det är avsett för kan resultera i en farlig situation.
- **Håll handtag och grepp torra, rena och fria från olja och smörfett.** Håla handtag och grepp innebär osäker hantering och dålig kontroll över verktøget i oväntade situationer.

ANVÄNDNING OCH UNDERHÅLL AV BATTERIET

- **Använd endast den batteriladdare som tillverkaren rekommenderar.** En batteriladdare som passar en typ av batteripack kan vara en brandfara om den används med en annan typ av batteripack.
- **Använd eldrivna verktøg med batteripaket som är speciellt utformade för användning tillsammans med produkterna.** Om du använder andra batteripaket ökar du risken för skador och brand.
- **När batteripaketet inte används ska det hållas bort från metallföremål som gem, mynt, nycklar, spikar, skruvar och andra små metallföremål som kan kortsluta batteriets kontakter.** Vid kortslutning av batteriets kontakter finns det risk för brännskador eller brand.
- **Vätska kan läcka ut från batteripaketet vid felaktig användning; undvik kontakt med vätskan. Spola med vatten om du kommer i kontakt med den. Uppsök omedelbart läkarhjälp om du får vätska i ögonen.** Den kan orsaka irritation och brännskador.
- **Använd inte en batterienhet eller ett verktøg som är skadat eller har modifierats.** Skadade eller modifierade batterier kan bete sig oförutsägbart, vilket kan leda till brand, explosion eller risk för olycksfall.
- **Utsätt inte ett batteripaket eller ett verktøg för eld eller mycket hög temperatur.** Exponering för eld eller temperaturer över 130 °C kan orsaka explosion.
- **Följ alla anvisningar för laddning och ladda inte batterienheten eller verktøget vid en temperatur utanför det intervall som anges i anvisningarna.**

Att ladda på felaktigt sätt eller vid temperaturer utanför det angivna intervallet kan skada batteriet och ökar brandrisken.

UNDERHÅLL

- **Låt en kvalificerad serviceperson serva ditt kraftverktøg med identiska utbytesdelar.** Detta säkerställer att kraftverktøgets säkerhet bibehålls.
- **Reparera aldrig skadade batteripaket.** Reparation av batteripaket får endast utföras av tillverkaren eller en auktoriserad serviceverkstad.

SÄKERHETSVARNINGAR FÖR SLADDLÖS BESKÄRNINGSSÅG

- Greppa verktøget i dess isolerade delar när du utför arbeten där maskinen kan komma i kontakt med dolda elkablar. Vid kontakt med en strömförande kabel kan de exponerade delarna på verktøget bli strömförande och ge användaren en elektrisk stöt.
- Använd klämmor eller något annat sätt för att säkra och stöjda arbetsstycket på stabilt underlag. Att hålla arbetsstycket i handen eller mot kroppen gör det instabilt och kan göra att kontrollen förloras.
- Håll händerna borta från sågområdet. Sträck dig inte in under arbetsstycket. Kontakt med sågbladet kan leda till personskador.
- Bär skyddshandskar vid montering av sågbladet. Det finns en risk för personskada vid kontakt med sågbladet.
- Håll inte produkten med en hand på eller runt på/av-strömbrytaren och avtryckaren vid byte av sågbladet. Det finns en risk för personskada när på/av-strömbrytaren startas oavsiktligt.
- Vid byte av sågblad, kontrollera att bladhållaren är ren från materialrester, som trä- eller metallflisor.
- Håll produkten stadigt med en hand i handtaget medan du sågar.
- Vidrör inte kroken, bladet eller luftventilerna vid sågning.
- Sågbladet kan bli varmt vid sågning. Låt sågbladet svalna före du vidrör det.
- Använd dammupsamlarenheten eller anslut dammsugare vid användning av produkten.
- Information avseende skärkapaciteten.
- Instruktioner på hur du justerar verktøget för olika sågbladspositioner, om tillämpligt.
- Produkten startar om automatiskt om den fått motorstopp. Stäng av produkten omedelbart om den låser sig. Slå inte på produkten igen medan den fortfarande är låst, eftersom det kan orsaka en plötslig rekyll med hög reaktionskraft. Fastställ varför produkten fick motorstopp och åtgärda detta, samtidigt som du beaktar säkerhetsanvisningarna.
- Omgivningstemperatur för verktøget (produkten) vid drift skall ligga mellan 0°C och 40°C.
- Omgivningstemperatur för verktøget vid förvaring skall ligga mellan 0°C och 40°C.
- Den rekommenderade omgivningstemperaturen vid laddning av systemet skall ligga mellan 10°C och 38°C.



YTTERLIGARE SÄKERHETSVARNINGAR FÖR BATTERIER

⚠ VARNING

För att undvika den fara för brand, personskador eller produktskador som orsakas av en kortslutning, doppa inte ner verktyget, batteripaketet eller laddaren i vätskor och se till att ingen vätska kan tränga in i apparaterna eller batterierna. Korroderande eller ledande vätskor, som saltvatten, vissa kemikalier, blekningsmedel eller produkter som innehåller blekmedel, kan orsaka en kortslutning.

- Omgivningstemperatur för batteriet vid drift skall ligga mellan 0°C och 40°C.
- Omgivningstemperatur för batteriet vid förvaring skall ligga mellan 0°C och 20°C.
- Sortera elektroniskt avfall korrekt genom att ta ur inbyggda batterier ur enheterna före de slängs. Lämnad dem på speciella inlämningsställen.
- För att ta bort det integrerade batteripaketet, separera husskalen från varandra genom att ta bort skruvarna. Koppla från batteriet från kretsen och ta ur det.
- **OBS:** När produkten har öppnats kan den inte användas eller repareras och ska slängas på korrekt sätt.
- Innan ett batteri tas ut ur ett elverktyg ska elverktyget vara igång tills batteriet är helt urladdat.
- Se till att batteriet som ska slängas inte kommer i kontakt med andra batterier eller ledande material genom att skydda exponerade kontakter med isolerande, icke ledande skydd eller tejp.

TRANSPORTERA LITIUMBATTERIER

Transportera batterier enligt lokala och nationella riktlinjer och föreskrifter.

Följ alla särskilda krav på förpackning och etikettering vid transport av batterier som utförs av tredje part. Se till att inga batterier kan komma i kontakt med andra batterier eller ledande material under transporten genom att skydda exponerade kontaktytor med isolerande, icke ledande överdrag eller tejp. Transportera aldrig batterier som har spruckit eller som läcker. Kontrollera med det transporterande företaget för vidare rådgivning.

KVARSTÄENDE RISKER

Även om produkten används enligt instruktionerna går det inte att eliminera alla eventuella kvarstående riskfaktorer. Följande risker kan uppkomma under bruk och användaren ska vara extra uppmärksam för att undvika följande:

- Skada orsakad av vibration
 - Använd den lägsta hastighetsinställningen som uppnår skärningen. Begränsa exponeringen. Se avsnittet "Riskminskning" i denna manual.
- Skador orsakade av damm
 - Damm kan komma in i ögonen eller andningsorganen. Använd alltid lämpligt ögonskydd. Bär lämplig dammskyddsmask med filter som är lämpliga för att skydda mot partiklar

från materialet som skärs. Ät, drick eller rök inte på arbetsområdet. Säkerställ tillräcklig ventilation.

- personskada orsakad av elstötar
 - Bladet kan komma i kontakt med dolda aktiva kablar och göra produkten strömförande. Håll alltid produkten i handtagen och var försiktig vid kapning i väggar och golv där det kan finnas dolda kablar.
- Skada från kontakt med skärkniven
 - Bladen är mycket vassa och blir heta under användning. Använd handskar vid byte av blad. Håll alltid händerna på säkert avstånd från sågområdet. Kläm alltid fast arbetsstycket om så är möjligt.
- Skador orsakade av damm
 - Buller kan orsaka hörselskador. När elverktyg används längre perioder ska alltid hörselskydd användas.

RISKMINSKNING

Det finns rapporter om att vibrationer från handhållna verktyg kan bidra till ett tillstånd som kallas Raynauds syndrom för vissa personer. Symptomen brukar vara att det sticker i fingrarna och att de domnar bort; fingrarna kan också bli vita, särskilt vid kyla. Årftliga faktorer, kyla och fukt, diet, rökning och arbetsrutiner tros alla bidra till att orsaka dessa symptom. Det finns förebyggande åtgärder som du kan vidta för att försöka minska vibrationernas påverkan:

- Håll dig varm när du arbetar i kallt väder. Använd handskar för att hålla händer och handleder varma under användning. Kyla har rapporterats som en viktig del i utvecklandet av Raynauds syndrom.
- Träna och rör på dig efter varje användningstillfälle för att öka blodcirkulationen.
- Ta ofta pauser från arbetet. Begränsa tiden du utsätter dig varje dag.

Upphör omedelbart om du upplever några av dessa symptom och uppsök din läkare.

⚠ VARNING

Risk för person- eller slitageskador vid användning av verktyget under lång tid. Om verktyget används under längre perioder krävs regelbundna pauser.

UNDERHÅLL

⚠ VARNING

Slipmaskinen får aldrig vara nätansluten då du monterar komponenter, utför inställningar, rengör verktyget eller då du inte använder det. Att koppla bort produkten från strömförsörjningen förhindrar oavsiktlig start som kan orsaka allvarliga olycksfall.

⚠ VARNING

Vid service, använd endast originaltillverkarens reservdelar, tillbehör och tillsatser. Användning av andra delar kan skapa en fara eller orsaka produktskada.

- Undvik att använda lösningsmedel vid rengöring av plastdelar. De flesta plasterna är mottagliga för skador från olika varianter av kommersiella lösningsmedel och kan skadas om sådana används. Använd en ren tygtrasa för att torka bort smuts, damm, osv.

⚠ VARNING

Låt aldrig bromsvätska, bensen, bensinbaserade produkter, penetrerande oljor, etc., komma i kontakt med plastdelarna. Kemikalier kan skada, försvaga eller förstöra plast vilket kan orsaka allvarlig personskada.

⚠ VARNING

För säkerhet och pålitlighet ska alla reparationer utföras av auktoriserat reparationscenter.

LÄR KÄNNA PRODUKTEN

Se sida 123.

Delar

1. Sägblad
2. Monteringsklämma
3. Klämspak för blad
4. Låsknapp för avtryckaren
5. Avtryckare
6. Handtag
7. Anslutning till batteriet

SYMBOLER PÅ PRODUKTEN



Säkerhetsvarning



Läs och se till att du förstår alla anvisningar innan du använder produkten. Följ alla varningar och säkerhetsanvisningar.



Använd hörselskydd.



Bär ögonskydd



Används halkfria, grova skyddshandskar.



Använd mask.



Håll händerna borta från bladen.



Utsätt inte för regn eller våta omgivning.



Garanterad ljudeffektsnivå 94 dB



Gamla elektroniska produkter ska inte kastas med hushållsoporna. Återvinn där sådana faciliteter finns. Kontrollera med din lokala myndighet eller säljaren för att få återvinningstips.



Uppfyller alla standarder i de EU-länder där produkten kan köpas.



EurAsian överensstämmelsesymbol



Ukrainskt märke för överensstämmelse

SYMBOLER I MANUALEN



Delar och utrustning säljs separat



OBS



Varning



Fara! Vasst blad



Hastighet, minsta



Hastighet, maximum

Följande signalord och betydelser är avsedda att beskriva risknivåer associerade med produkten:

⚠ FARA

Indikerar en överhängande farlig situation som kan, om den inte undviks, resultera i dödsfall eller allvarlig skada.

⚠ VARNING

Indikerar en potentiellt farlig situation som kan, om den inte undviks, resultera i dödsfall eller allvarlig skada.

⚠ PÅMINNELSE

Indikerar en potentiellt farlig situation som kan, om den inte undviks, resultera i mindre eller medelstora skador.

PÅMINNELSE

(Utan säkerhetssymbolen) Indikerar en situation som kan leda till egendomsskada.



Turvallisuus, tehokkuus ja käyttövarmuus ovat akkuksasahamme tärkeimpiä ominaisuuksia.

KÄYTTÖTARKOITUS

Akkuksasaha on suunniteltu ainoastaan aikuisten käytettäväksi, käyttäjien tulee lukea ja ymmärtää tämän käyttöoppaan ohjeet ja varoitukset, ja heitä on voitava pitää vastuullisina tekemisistään.

Tuote on tarkoitettu ainoastaan ulkokäyttöön hyvin tuuletetuilla alueilla.

Oksasahalla on tarkoitus leikata ja karsia puun yläosan pieniä, läpimitaltaan enintään 80 mm olevia haaroja ja oksia.

Kone on suunniteltu käsin pideltäväksi. Koneetta ei saa asentaa työpenkkiin ilman tuotteen valmistajalta saatuja ohjeita siitä, kuinka asentaminen tehdään.

Älä käytä muihin tarkoituksiin.

SÄHKÖTYÖKALUJEN YLEISIÄ TURVALLISUUSVAROITUKSIA

VAROITUS

Lue kaikki laitteen mukana toimitetut turvaohjeet, kuvat ja tekniset tiedot. Näiden ohjeiden laiminlyönti voi aiheuttaa onnettomuuksia kuten tulipalon, sähköiskun ja/tai vakavia ruumiinvammoja.

Säilytä nämä varoitukset ja ohjeet myöhempiä tarvetta varten.

Sana "sähkötyökalu" viittaa varoituksissa verkkovirta- (langalliseen) tai akkukäyttöiseen (langattomaan) sähkötyökaluun.

TYÖYMPÄRISTÖ

- Pidä työalue siistinä ja valoisana. Epäjärjestyksessä olevat ja pimeät alueet myötävaikuttavat onnettomuuksiin.
- Älä käytä sähkötyökalua räjähdysalttiissa paikoissa, kuten helposti syttyvien nesteiden tai kaasujen tai pölyn läheisyydessä. Sähkötyökalut kipinöivät, mikä saattaa sytyttää pölyn tai höyryt.
- Pidä lapset ja sivulliset loitolla, kun käytät sähkötyökaluja. Häiriöt voivat saada koneen riistäytymään hallinnasta.

SÄHKÖTURVALLISUUS

- Pistokkeen on sovittava pistorasiaan. Älä koskaan muunna pistoketta millään tavalla. Älä käytä maadoitettujen sähkötyökalujen kanssa minkäänlaisia sovittipistokkeita. Alkuperäiset pistokkeet ja niitä vastaavat pistorasiat pienentävät sähköiskun vaaraa.
- Älä kosketa maadoitettuihin pintoihin, kuten putkiin, lämpöpattereihin, helioihin tai jääkaappeihin. Jos ruumiisi on maadoitettu, sähköiskun vaara on suurempi.
- Älä altista tuotetta sateelle tai kosteudelle. Sähkötyökaluun joutunut vesi kasvattaa sähköiskun vaaraa.

- Pidä huolta sähköjohdosta. Älä koskaan kannata tai vedä sähkötyökalua johdosta tai irrota pistoketta johdosta vetämällä. Pidä johto etäällä kuumista paikoista, öljystä, terävistä kulmista ja liikkuvista osista. Vioittunut tai takkuinen johto lisää sähköiskun vaaraa.
- Kun käytät sähkötyökalua ulkotiloissa, käytä ulkokäyttöön sopivaa jatkojohtoa. Ulkokäyttöön sopivan johdon käyttö pienentää sähköiskun vaaraa.
- Jos sähkötyökalua on pakko käyttää kosteissa tiloissa, käytä jännönsvirtalaitteella (RCD) suojattua pistorasiaa. RCD:n käyttö pienentää sähköiskun vaaraa.

KÄYTTÄJÄN TURVALLISUUS

- Ole valpas, katso mitä teet ja käytä maalaisjärkeä, kun käytät sähkötyökalua. Älä käytä sähkötyökalua väsyneenä tai huumeiden, alkoholin tai lääkkeiden vaikutuksen alaisena. Tarkkaamattomuus sähkötyökalua käytettäessä saattaa johtaa vakavaan loukkaantumiseen.
- Käytä henkilökohtaisia suojavarusteita. Käytä aina suojalaseja. Sahan käytönaikeiset suojavälitteet, kuten hengityssuojain, liukumattomat turvakengät, kypärä tai kuulosuojaimet, vähentävät henkilövahinkoja.
- Älä anna koneen käynnistyä vahingossa. Varmista, että katkaisin on poissa päältä, ennen kuin kytket koneen virtalähteeseen ja/tai akkuun ja ennen kuin nostat tai kannat konetta. Sähkötyökalun kantaminen sormi katkaisimella ja virran kytkeminen koneeseen, joka on päällä, saattaa johtaa onnettomuuksiin.
- Irrota säätöavaimet ja jakoavaimet ennen sähkötyökalun käynnistystä. Sähkötyökalun pyörivään osaan jätetty jako- tai säätöavain saattaa johtaa loukkaantumiseen.
- Älä kurkota liian pitkälle. Pysytele tukevasti jaloillasi äläkä kurkota käsivartta liian kauas. Tällöin sähkötyökalua on helpompi hallita odottamattomissa tilanteissa.
- Älä pukeudu väliin vaatteisiin, kravattiin tai koruihin, jotka voivat juuttua liikkuviin osiin. Älä käytä välijä vaatteita tai koruja. Pidä hiukset, vaatteet ja käsineet etäällä liikkuvista osista. Löysät vaatteet, korut ja pitkät hiukset saattavat tarttua liikkuviin osiin.
- Jos laitetta varten on pölynpoisto- ja keräyslaite, kytke se asianmukaisesti ja käytä sitä oikein. Pölyn kerääminen voi vähentää pölyn liittyviä vaaroja.
- Älä ole huolimaton ja laiminlyö turvaohjeita vain siksi, että olet kokenut muiden laitteiden käytössä. Huolimaton toiminto voi aiheuttaa välittömän loukkaantumisen.

SÄHKÖTYÖKALUN KÄYTTÖ JA HUOLTO

- Älä pakota tuotetta. Käytä työhön sopivaa sähkötyökalua. Asianmukainen sähkötyökalu hoitaa työt paremmin ja turvallisemmin sillä vauhdilla, jota varten se on suunniteltu.
- Älä käytä sähkötyökalua, jos se ei käynnisty ja sammu katkaisimesta. Jos sähkötyökalua ei voida hallita katkaisimella, se on vaarallinen ja vaatii korjaamista.





- **Irrota pistoke virranlähteestä ja/tai akku työkoneesta, ennen kuin teet säätöjä, vaihdat varusteita tai varastoit koneen.** Tällaiset varoimet pienentävät sitä vaaraa, että kone käynnistyy vahingossa.
- **Varastoi sähkötyökalu pois lasten ulottuvilta äläkä anna kenenkään, joka ei tunne työkonetta tai näitä ohjeita, käyttää sitä.** Sähkötyökalut ovat vaarallisia kouluttamattomien käyttäjien käsissä.
- **Huolla sähkötyökalut. Tarkista, että liikkuvat osat on kohdistettu oikein ja että ne liikkuvat kunnolla, että osia ei ole rikkoutunut ja että mikään muu seikka ei häiritse sähkötyökalun toimintaa. Jos sähkötyökalu vioittuu, korjaa se ennen käyttöä.** Onnettomuudet johtuvat usein sähkötyökalujen huonosta huollosta.
- **Pidä leikkuutyökalut terävinä ja puhtaina.** Asianmukaisesti huolletut leikkuutyökalut, joiden leikkuupinnat ovat teräviä, eivät jumiuudu helposti ja niitä on helppo hallita.
- **Käytä työkonetta, lisävarusteita, teriä jne. näiden ohjeiden mukaisesti, ja huomioi työolosuhteet ja tehtävän työn laatu.** Työkoneen käyttö muuhun kuin sille tarkoitettuun työhön voi aiheuttaa vaarallisia tilanteita.
- **Pidä kädensijat ja tartuntapinnat kuivina ja puhtaina liasta, öljystä ja rasvasta.** Liukkaat kahvat ja tartuntapinnat tekevät käytöstä vaarallista, eikä laitetta voi hallita odottamattomissa tilanteissa.

AKKUKÄYTTÖISEN TYÖKALUN KÄYTTÖ JA HOITO

- **Käytä lataukseen ainoastaan valmistajan suosittelemaa laturia.** Yhden tyyppiselle akulle sopivan laturin käyttö toisenlaisen akun kanssa voi olla vaarallista.
- **Käytä sähkötyökalua ainoastaan sitä varten suunniteltujen akkujen kanssa.** Muiden akkujen käyttö voi johtaa loukkaantumiseen ja tulipaloon.
- **Kun akkua ei käytetä, pidä se erillään metalliesineistä, kuten paperiliittimistä, kolikoista, avaimista, nauloista, ruuveista ja muista pienistä metalliesineistä, jotka voivat yhdistää akun navat.** Akun napojen oikosulkeminen voi aiheuttaa palovammoja ja tulipalon.
- **Jos akkua käsitellään väärin, siitä voi vuotaa nestettä; älä kosketa sitä. Jos kosketat sitä vahingossa, huuhtele se vedellä. Jos nestettä pääsee silmiin, hakeudu lisäksi lääkärin hoitoon.** Akusta vuotanut neste voi ärsyttää ihoa ja aiheuttaa palovammoja.
- **Vaurioitunutta tai muunneltua akkua tai työkalua ei saa käyttää.** Vaurioituneet tai muunnellut akut voivat käyttäytyä odottamattomasti, ja ne voivat johtaa tulipaloon, räjähdykseen, varaan tai tapaturmaan.
- **Älä altista akkua tai työkalua tulelle tai liian korkealle lämpötilalle.** Tullelle tai yli 130°C:n lämpötilalle altistuminen voi johtaa räjähdykseen.
- **Noudata kaikkia latausohjeita äläkä lataa akkua tai työkalua muissa kuin ohjeissa määritellyissä lämpötilaolosuhteissa.** Virheellinen lataus tai määritellyistä poikkeavat lämpötilat saattavat johtaa akun vaurioitumiseen ja lisätä tulipalon vaaraa.

HUOLTO

- **Huollata työkonetta pätevällä huoltomiehellä, joka käyttää ainoastaan asianmukaisia varaosia.** Tämä varmistaa, että sähkötyökalu on turvallinen.
- **Vaurioituneita akkuja ei koskaan saa huoltaa.** Akkuja saa huoltaa vain valmistaja tai valtuutettu huoltoilike.

AKKUKÄYTTÖISEN TYÖKALUN TURVAOHJEET

- **Pidä kiinni sähkötyökalusta vain kahvasta jossa tartuntapinta, erityisesti kun työstät materiaalia, jossa on mahdollisesti piilossa olevia johtoja. Jos leikkuri koskettaa sähköistettyä johtoa, työkalun metalliosat voivat sähköistyä ja aiheuttaa käyttäjälle sähköiskun.**
- **Kiinnitä työkaluun, jota käytetään paikkaan puristimilla tai muilla käytännöllisillä keinoilla. Jos työkalua pidetään kädessä tai kehoa vasten, se on epävakaata ja voi aiheuttaa hallinnan menetyksen.**
- **Pidä kätet poissa sahausalueelta. Älä kurota työkalun alle. Kosketus sahanterään saattaa johtaa henkilövahinkoon.**
- **Kun kiinnität sahanterää, käytä turvakäsineitä.** Sahanterän koskemiseen sisältyy loukkaantumisvaara.
- **Älä pitele tuotetta yhdellä kädellä siten, että käsi on virtakytkimen päällä tai ympärillä tai liipaisimessa, kun vaihdat sahanterää. Virtakytkimen tahattomaan päällekytkymiseen sisältyy loukkaantumisvaara.**
- **Kun vaihdat sahanterän, varmista että sahanterän pidikkeessä ei ole materiaali jäännöksiä, kuten puu- tai metallilastuja.**
- **Kun sahaat, pidä oksasahan kädensijasta tiukasti kiinni yhdellä kädellä.**
- **Älä koske koukkuun, terään tai tuuletusaukkoihin sahaamisen aikana.**
- **Sahanterä voi olla kuuma sahaamisen jälkeen. Anna sahanterän jäähtyä kokonaan ennen kuin kosket siihen.**
- **Käytä pölynkeruulaitetta tai kytke pölynpoistomuri, kun käytät tuotetta.**
- **Tietoa leikkuukapasiteetista.**
- **Ohje työkalun säätämiseksi sahanterän eri asennoille, tarvittaessa.**
- **Tuote käynnistyy uudelleen automaattisesti, jos se jumittuu. Sammuta oksasaha välittömästi, jos se jumittuu. Älä kytke oksasaha uudelleen päälle, kun se on vielä pysähdyksissä, sillä seurauksena voi olla äkillinen, voimakas takapotku. Määritä, miksi tuote on jumittunut, ja korjaa tilanne noudattaen turvallisuusohjeita.**
- **Ympäristön lämpötila-alue työkalulle (tuote) käytön aikana on 0°C ja 40°C välillä.**
- **Ympäristön lämpötila-alue työkalulle varastoinnin aikana on 0°C ja 40°C välillä.**
- **Suositeltu ympäristön lämpötila-alue latausjärjestelmän latauksen aikana on 10°C ja 38°C välillä.**

EN
FR
DE
ES
IT
NL
PT
DA
SV
FI
NO
RU
PL
CS
HU
RO
LV
LT
ET
HR
SL
SK
BG
UK
TR



MUITA AKUN TURVALLISUUSVAROITUKSIA

VAROITUS

Jotta vältetään lyhytsulun aiheuttama tulipalon, loukkaantumisen tai tuotteen vahingoittumisen vaara, älä koskaan upota työkalua, vaihtoakkuja tai latauslaitetta nesteeseen ja huolehdi siitä, ettei mitään nesteitä pääse tunkeutumaan laitteiden tai akkujen sisään. Syövyttävät tai sähköä johtavat nesteet, kuten suolavesi, tietyt kemikaalit ja lalkaisuaineet tai valkaisuaineita sisältävät tuotteet voivat aiheuttaa lyhytsulun.

- Ympäristön lämpötila-alue akulle käytön aikana on 0°C ja 40°C välillä.
- Ympäristön lämpötila-alue akun varastoinnin aikana on 0°C ja 20°C välillä.
- Erottele elektroniikkajätteet asianmukaisesti poistamalla kiinteät akut laitteesta ennen hävittämistä. Luovuta ne asianmukaiseen keräyspisteeseen.
- Poista integroitu akkupakkaus eristämällä kotelon kuoret toisistaan ruuvit irrottamalla. Irrota akku piiristä ja ota se ulos.
- **HUOMAUTUS:** Kun tuote on avattu, sitä ei voi enää käyttää eikä huoltaa, ja sen on hävitettävä asianmukaisesti.
- Ennen kuin irrotat akun sähkötyökalusta, kytke tuote päälle, kunnes akku on täysin tyhjä.
- Varmista, että hävitettävä akku ei voi joutua kosketuksiin paristojen, muiden akkujen tai johtavien materiaalien kanssa, suojaamalla paljaat liitännät eristävillä, sähköä johtamattomilla tulpilla tai teipillä.

LITIUMAKKIJEN KULJETTAMINEN

Kuljeta akkuja paikallisten ja kansallisten ehtojen ja säädösten mukaisesti.

Noudata kaikkia pakkaamista ja nimeämistä koskevia erikoissäädöksiä, kun kolmas osapuoli kuljettaa akkuja. Varmista, että mikään akku ei kosketa muita akkuja tai johtavaa materiaalia kuljetuksen aikana suojaamalla paljaat navat eristävillä, johtamattomilla korkeilla tai teipillä. Älä kuljeta akkuja, jotka ovat halkeilleet tai vuotavat. Kysy välitysyntykseltä lisäneuvoja.

KÄYTTÖÖN LIITTYVÄT RISKIT

Vaikka tuotetta käytettäisiin ohjeiden mukaisesti, ei ole mahdollista täysin eliminoida tiettyjä käyttöön liittyviä riskitekijöitä. Käytössä voi aiheutua seuraavia vaaroja, ja käyttäjän tulee kiinnittää erityistä huomiota niiden välttämiseen:

- Tärinän aiheuttama vamma
 - Käytä leikkaamiseen pienintä nopeusasetusta. Vältä altistumista. Katso tämän oppaan osa "Riskien vähentäminen".
- Pölyn aiheuttama vamma
 - Silmiin tai hengityselimiin voi mennä pölyä. Käytä aina suojalaseja. Käytä asianmukaista polymaskia, jonka suodatin suojaaa leikkavasta materiaalista irtoavilta pölyhiukkasilta. Älä syö, juo tai tupakoi työalueella. Varmista riittävä ilmanvaihto.

- sähköiskun aiheuttama henkilövahinko
 - Terä saattaa koskettaa piilossa olevia johtoja, jolloin tuotteeseen saattaa johtua sähköä. Pitele tuotetta aina merkityistä kahvoista ja ole varovainen leikatellasi seinän- tai lattian vierustaa, jossa saattaa olla näkymättömissä olevia johtoja.
- leikkuuterää koskettamisesta aiheutuva vamma
 - Terät ovat hyvin teräviä ja kuumenevät käytössä. Käytä käsineitä vaihtaessasi teriä. Pidä kädet aina poissa leikkuualueelta. Kiinnitä työkalulle puristimilla aina kun mahdollista.
- Melun aiheuttama vamma
 - Melu voi vahingoittaa kuuloa. Käytä kuulosuojaimia käyttäessäsi sähkötyökaluja pitemmän aikaa.

RISKIEN VÄHENTÄMINEN

Raporttien mukaan käsikäyttöisten laitteiden tärinä voi joidenkin kohdalla myötävaikuttaa Raynaud's Syndromen (Raynauodin oireen) ilmenemiseen. Oireita ovat pistely, turtuus ja sormien kalpeneminen, yleensä kylmässä ilmassa. Perinnölliset tekijät, kylmyys ja kosteus, ruokavalio, tupakointi sekä työtavat voivat kaikki myötävaikuttaa näiden oireiden ilmenemiseen. Käyttäjä voi ehkäistä tärinän aiheuttamia vaikutuksia seuraavasti:

- Pidä itsesi lämpimänä kylmällä säällä. Käytä tuotteen käytön aikana käsineitä, jotta kätesi ja ranteesi pysyvät lämpöisinä. Raporttien mukaan kylmä ilma on tärkeä tekijä Raynaud's Syndromen (Raunauodin oireiden) ilmenemisessä.
- Harjoita kunkin käyttöjakson jälkeen liikuntaa, jotta verenkierto lisääntyy.
- Pidä työn aikana säännöllisesti taukoja. Rajoita päivittaisen tärinän määrä.

Jos mitään yllä mainittuja oireita ilmenee, lopeta heti laitteen käyttö ja kerro oireista lääkärille.

VAROITUS

Laitteen pitkittynyt käyttö voi aiheuttaa tai vaikeuttaa vammoja. Kun käytät mitä tahansa laitetta pitkiä aikoja, muista pitää säännöllisiä taukoja.

HUOLTO

VAROITUS

Hiomakonetta ei saa koskaan kytkeä verkkovirtaan kun asennat osia, teet säätö- ja puhdistustöitä tai kun et käytä sitä. Laitteen irrottaminen virtalähteestä estää vahingossa tapahtuvan käynnistymisen, mikä voi aiheuttaa vakavan loukkaantumisen.

VAROITUS

Huollossa tulee käyttää vain valmistajan alkuperäisiä vaihto-osia, lisävarusteita ja lisälaitteita. Muunlaisten varaosien käyttö voi osoittautua vaaralliseksi ja vaurioittaa tuotetta.

- Älä puhdista muoviosia liuottimilla. Suurin osa muoveista ei siedä markkinoilla olevia määrättyjä liuotteita, jotka vahingoittavat niitä. Käytä puhdasta riepua lian, pölyn jne. puhdistukseen.

⚠ VAROITUS

Älä koskaan päästä jarrunesteitä, bensiiniä, öljytuotteita, läpäiseviä öljyjä tms. kosketuksiin muoviosien kanssa. Kemikaalit voivat vioittaa, heikentää ja tuhota muovia, mikä saattaa aiheuttaa vakavan loukkaantumisen.

⚠ VAROITUS

Jotta laite toimisi turvallisesti ja luotettavasti, kaikki korjaukset tulee antaa valtuutetun huoltopisteen hoidettavaksi.

TUNNE TUOTTEESI

Katso sivu 123.

Osat

1. Sahanterä
2. Kiinnityspidike
3. Terän kiinnitysvipu
4. Liipaisimen lukituspainike
5. Liipaisin
6. Kädensija
7. Akkuliitin

TUOTTEESSA OLEVAT SYMBOLIT



Varoitus



Kaikki ohjeet on luettava ja ymmärrettävä ennen tuotteen käyttöä. Noudata varoituksia ja turvallisuusohjeita.



Käytä kuulosuojaimia.



Käytä silmäsuojaimia



Käytä luisumattomia raskaan käytön käsineitä.



Käytä naamaria.



Pidä kädet kaukana teristä.



Älä altista konetta sateelle tai kosteudelle.



Taattu äänenteho 94 dB



Käytöstä poistettavia sähkölaitteita ei pidä hävittää talousjätteiden mukana. Ne on mahdollisuuksien mukaan pantava kiertoon. Kierrätysohjeita antavat kunnan viranomaiset ja vähittäiskauppiat.



Tämä työkalu on sen EU-maan kaikkien sääntömääräisten standardien mukainen, josta se on ostettu.



EurAsian-vaatimustenmukaisuusmerkki



Ukrainalainen säädöstenmukaisuusmerkintä

TÄMÄN KÄSIKIRJAN SYMBOLIT



Osat ja lisävarusteet on hankittava erikseen



Huom



Varoitus



Vaara! Terävä terä



Nopeus, pienin



Nopeus, maksimimomentti

Seuraavien merkien tarkoitus on selittää, miten vakava riski tuotteeseen liittyy.

⚠ VAARA

Ilmaisee välitöntä vaaratilannetta, joka ellei sitä vältetä, johtaa kuolemaan tai vakavaan loukkaantumiseen.

⚠ VAROITUS

Ilmaisee potentiaalisen vaaratilanteen, joka ellei sitä vältetä, johtaa kuolemaan tai vakavaan loukkaantumiseen.

⚠ HUOMAUTUS

Ilmaisee potentiaalisen vaaratilanteen, joka ellei sitä vältetä, saattaa johtaa pienempään tai keskivaikeaan loukkaantumiseen.

HUOMAUTUS

(Ilman turvallisuusvaroitusymbolia) Ilmoittaa tilanteesta, jossa omaisuutta saattaa vaurioitua.

Sikkerhet, ytelse og pålitelighet har fått topp prioritet ved konstruksjonen av denne kabelfrie trebeskjæringsssagen.

TILTENKT BRUK

Den kabelfrie trebeskjæringsssagen skal bare brukes av voksne som har lest og forstått instruksjonene og advarslene i denne håndboken, og som kan anses som ansvarlig for sine handlinger.

Produktet er kun tiltenkt til utendørs bruk på et godt ventilert sted.

Produktet er designet for kutting og beskjæring av små deler og grener med en diameter på mindre enn eller lik 80 mm.

Produktet er designet for håndholdt bruk. Produktet skal ikke monteres på en arbeidsbenk, med mindre det gis spesifikke instruksjoner fra produsenten om hvordan dette gjøres.

Den skal ikke brukes til noe annet formål.

GENERELLE SIKKERHETSREGLER FOR ELEKTRISK VERKTØY

⚠ ADVARSEL

Les alle sikkerhetsadvarsler og -instruksjoner, illustrasjoner og spesifikasjoner som følger med dette produktet. Unnlatelse av å følge dette kan forårsake ulykker som brann, elektrisk støt og/eller alvorlige personskade.

Ta vare på disse advarslene og instruksene for å se i dem senere.

Begrepet "elektrisk verktøy" i advarslene gjelder ditt elektriske verktøy koblet til strømmettet (med ledning) eller batteridrevet (uten ledning) elektrisk verktøy.

ARBEIDSOMGIVELSER

- **Hold arbeidsområdet rent, ryddig og godt opplyst.** Uryddige og dårlig opplyste områder fører lett til ulykker.
- **Ikke bruk elektrisk verktøy i eksplosive atmosfærer, som der det finnes brennbare væsker, gasser eller støv.** Elektrisk verktøy skaper gnister som kan antenne støv eller gasser.
- **Hold barn og andre på avstand når et elektrisk verktøy brukes.** Distraksjon kan føre til tap av kontroll.

ELEKTRISK SIKKERHET

- **Støpslet på det elektriske verktøyet må stemme med stikkkontakten. Foreta aldri noen form for endringer av støpslet. Ikke bruk noen form for adapterstøpsel til jordat elektrisk verktøy.** Umodifiserte støpsler og passende stikkontakter vil redusere risikoen for elektrisk sjokk.
- **Unngå kroppskontakt med jordede overflater, som vannrør, radiatorer, kokeapparater og kjøleaggregater.** Det er økt risiko for elektrisk støt dersom kroppen din har kontakt med jord.
- **Ikke utsett produktet for regn eller høy fuktighet.** Vann som trenger inn i et elektrisk verktøy vil øke faren for elektrisk støt.

- **Ikke misbruk den elektriske ledningen. Bruk aldri ledningen til å bære det elektriske verktøyet eller trekke støpslet ut av stikkkontakten. Hold ledningen vekk fra varme, olje, skarpe kanter eller bevegelige deler.** Skadet eller sammenfloknet ledning øker risikoen for elektrisk støt.
- **Når du bruker det elektriske verktøyet utendørs, bruk en skjøteledning som er tilpasset utendørs bruk.** Bruk av ledning som er tilpasset utendørs bruk reduserer risikoen for elektrisk støt.
- **Dersom bruk av elektrisk verktøy i fuktige omgivelser ikke er til å unngå, bruk en strømkrets med sikring som er tilpasset verktøyet.** Bruk av strømkrets med sikring reduserer risikoen for elektrisk støt.

PERSONLIG SIKKERHET

- **Vær våken, se på hva du gjør og bruk fornuft når du arbeider med et elektrisk verktøy. Ikke bruk elektrisk verktøy når du er sliten eller under påvirkning av narkotiske stoffer, alkohol eller medisiner som kan påvirke din reaksjonsevne og/eller dømmekraft.** Et øyeblikks uoppmerksomhet når elektrisk verktøy brukes kan føre til alvorlige personskade.
- **Bruk personlig verneutstyr. Bruk alltid øyebeskyttelse.** Verneutstyr som støvmaske, sklisikre vernesko, hjelm og hørselsvern som brukes ved behov, vil redusere personskader.
- **Unngå utilsiktet start. Sørg for at bryteren er i posisjon OFF før utstyret kobles til strømmettet og / eller batteripakken, plukkes opp eller bæres.** Å bære det elektriske verktøyet med fingeren på startknappen eller koble strøm til et elektrisk verktøy med bryteren i ON inviterer til ulykker.
- **Fjern justeringsnøkler og annet verktøy før du setter strøm på det elektriske verktøyet.** En fastnøkkel eller annet verktøy festet til en roterende del av et elektrisk verktøy når det startes kan føre til personskade.
- **Ikke len deg for langt. Sørg for godt fotfeste og god balanse til enhver tid.** Dette gir bedre kontroll over det elektriske verktøyet i en uventet situasjon.
- **Kle deg riktig. Ikke bruk løstsittende plagg og/eller løsthengende smykker. Hold hår, klær og hansker vekk fra bevegelige deler.** Løse plagg, smykker og langt hår kan fanges opp av bevegelige deler.
- **Hvis det finnes tilkoblingsmuligheter for oppsagnings- og oppsamlingsutstyr for støv, sørg for at dette blir tilkoblet og brukt på riktig måte.** Bruk av støvoppsamler kan redusere støvrelatert faresituasjoner.
- **Ikke la hyppig bruk av verktøyet føre til at du blir lettfeilig og ignorerer sikkerhetsprinsipper.** En uforsiktig handling kan føre til alvorlige personskader på en brøkdal av et sekund.

BRUK OG BEHANDLING AV ELEKTRISK VERKTØY

- **Ikke press maskinen. Bruk korrekt elektrisk verktøy for jobben som skal gjøres.** Riktig elektrisk verktøy vil gjøre jobben bedre og tryggere når det brukes slik det var tiltenkt.



- **Ikke bruk verktøyet hvis bryteren ikke slår verktøyet av og på.** Ethvert elektrisk verktøy som ikke kan kontrolleres med bryteren er farlig og må repareres før det kan brukes.
- **Trekk støpslet ut av den elektriske kontakten og/eller batteripakken fra det elektriske verktøyet før du foretar endringer, skifter tilbehør eller lagrer det elektriske verktøyet.** Slike forebyggende sikkerhetstiltak reduserer risikoen for utilsiktet start av det elektriske verktøyet.
- **Oppbevar elektrisk verktøy som ikke brukes utenfor barns rekkevidde og la ikke personer som ikke er kjent med det elektriske verktøyet eller dets instruksjoner bruke det.** Elektrisk verktøy er farlig i hendene på uerfarne brukere.
- **Vedlikehold av elektrisk verktøy. Kontroller for feilinnretting og at bevegelige deler løper fritt, at det ikke finnes ødelagte deler og enhver annen tilstand som kan påvirke det elektriske verktøyets drift. Hvis skadet må det elektriske verktøyet repareres før bruk.** Mange ulykker skyldes dårlig vedlikeholdt elektrisk verktøy.
- **Hold skjæreredskap skarpe og rene.** Korrekt vedlikeholdt skjæreverktøy med skarpe skjærekanten har mindre mulighet for å blokkere seg og er lettere å kontrollere.
- **Bruk det elektriske verktøyet, tilbehøret, verktøytbits etc i henhold til disse instruksjonene, der du tar hensyn til arbeidsforholdene og det arbeidet som skal utføres.** Bruk av elektrisk verktøy på en måte det ikke var tiltenkt kan skape farlige situasjoner.
- **Hold håndtak og andre holdeoverflater tørre, rene og fri for olje og smøring.** Unngå å håndtak og andre holdeoverflater er glatte for det reduserer sikker håndtering og styring av verktøyet i uforutsette situasjoner.

BATTERIPRODUKTER - BRUK OG STELL

- **Lad bare med ladere som er spesifisert av produsenten.** En lader som passer til en type batteripakke kan skape risiko for brann dersom den brukes til en annen type batteripakke.
- **Bruk pateriprodukter kun med spesielt tiltenkte batteripakker.** Bruk av andre batteripakker kan føre til risiko for skade og brann.
- **Når batteripakken ikke er i bruk, hold den vekk fra metallgjenstander som binders, mynter, nøkler, spiker, skruer og annet som kan forbinde de to terminalene med hverandre.** Kortslutning av batteriterminalene kan føre til brenning eller brann.
- **Ved feil bruk av batteriet kan det slippe ut væske. Hvis du får kontakt med væsken fra batteriet, skyl med rikelige mengder vann. Hvis væsken får kontakt med øynene må det søkes medisinsk hjelp.** Væske som kommer ut av batteriet kan føre til irritasjon eller brannskade.
- **Ikke bruk et batteri eller verktøy som er skadet eller endret.** Batterier som er skadd eller endret, kan oppføre seg uforutsigbart, noe som kan føre til brann, eksplosjon og personskaade.

- **Ikke utsett batteriet eller verktøyet for ild eller høy temperatur.** Eksponering for brann eller temperatur over 130 °C kan føre til eksplosjon.
- **Alle ladeinstruksjoner må følges. Ikke lad batteriet eller verktøyet hvis omgivelsestemperaturen er utenfor området som er angitt i bruksanvisningen.** Feil lading eller lading ved temperaturer utenfor det angitte området kan ødelegge batteriet og øke risikoen for brann.

VEDLIKEHOLD

- **Sørg for at reparasjoner og vedlikehold av ditt elektriske verktøy utføres av kvalifiserte teknikere som kun bruker originale erstatningsdeler.** Dette vil sørge for at sikkerheten med det elektriske verktøyet ivaretas.
- **Aldri utfør vedlikehold på skadde batteripakker.** Vedlikehold av batterier skal bare utføres av produsenten eller autoriserte serviceleverandører.

SIKKERHETSADVARSLER FOR KABELFRI TREBESKJÆRINGSSAG

- **Hold det elektriske verktøyet på de isolerte gripeflatene når du foretar arbeid der skjæreredskapen kan få kontakt med skjulte strømførende elektriske ledninger.** Skjæreredskap som får kontakt med strømførende elektriske ledninger kan føre til at metalldelene på verktøyet blir strømførende og at brukeren kan få støt.
- **Bruk tvinger og andre praktiske hjelpemidler for å sikre og støtte arbeidsstykket på en stabil plattform.** Å holde arbeidsstykket i håden eller trykket mot kroppen kan gjøre det ustabil og føre til tap av kontroll.
- **Hold hendene unna sagerekkevidden.** Ikke berør området under arbeidsstykket. Kontakt med sagbladet kan føre til skader.
- **Ved montering av sagbladet bruk vernehansker.** Det er fare for skade ved berøring av sagbladet.
- **Ikke hold produktet med én hånd på eller rundt på/av-bryteren og utløseren når du skifter sagbladet.** Det er fare for personskaade når på/av-bryteren slås på utilsiktet.
- **Når du skifter sagblad, sjekk først at sagbladets holder er ren og uten rester av sagspon, dvs. tre- eller metallspån.**
- **Hold produktet godt fast med én hånd på håndtaket under saging.**
- **Ikke berør kroken, bladet eller luftventilene under saging.**
- **Sagbladet er kanskje varmt etter saging.** La sagbladet kjøle seg av før berøring.
- **Bruk en støvoppsamler eller kople produktet til en støvsuger når det brukes.**
- **Informasjon om kuttekapasitet.**
- **Instruksjon om hvordan du josterer verktøyet for ulike sagbladposisjoner hvis aktuelt.**
- **Produktet vil starte på nytt automatisk hvis det stopper.** Slå av produktet umiddelbart hvis det stopper. Ikke slå på produktet igjen mens det fortsatt er stoppet, da dette kunne utløse en plutselig rekyl med en høy



reaksjonskraft. Bestem hvorfor produktet stoppet og utbedre dette, samtidig som sikkerhetsanvisningene overholdes.

- En passende temperatur for verktøyet (produktet) når det brukes er mellom 0°C og 40°C.
- En passende temperatur for lagring av verktøyet er mellom 0°C og 40°C.
- En passende temperatur når systemet opplades er mellom 10°C og 38°C.

EKSTRA SIKKERHETSINSTRUKSER FOR BATTERI

⚠ ADVARSEL

For å unngå fare for en brann forårsaket av en kortslutning, personskader eller skader på produktet, må det forhindres at batteripakken eller laderen dyppes i væsker. Det må også sørges for at ingen væsker kan trenge inn i apparatene eller batteriene. Korroderende og ledende væsker som saltvann, visse kjemikalier og blekemidler eller produkt som inneholder blekemidler kan forårsake en kortslutning.

- En passende batteritemperatur når verktøyet brukes er mellom 0°C og 40°C.
- En passende lagringstemperatur for batteriet er mellom 0°C og 20°C.
- Del opp elektronisk avfall på en korrekt måte ved å fjerne batteriet fra hovedenheten før utstyret kastes. Lever batteriene til passende avfallsmottak.
- For å fjerne den integrerte batteripakken separer husskalene fra hverandre ved å fjerne skruene. Koble batteripakken fra kretsen og fjern.
- **MERK:** Når produktet er åpnet kan det ikke lenger brukes eller gjenbrukes og må avhendes på en forsvarlig måte.
- Før batteripakken fjernes fra apparatet må apparatet stå på inntil batteriet er fullstendig utladet.
- Påse at batteripakken som skal kastes ikke kan komme i kontakt med batterier, andre batteripakker eller ledende materialer ved å beskytte synlige kontakter med isolerende, ikkeledende tape eller lokk.

TRANSPORTERE LITIUM-BATTERIER

Transporter batterier i henhold til lokale og nasjonale lover og forskrifter.

Følg alle spesialkrav med hensyn til emballering og merking når batterier transporteres av en tredjepart. Påse at ingen batterier kan komme i kontakt med andre batterier eller ledende materialer under transporten ved å beskytte åpne kontakter med isolasjon, ikkeledende lokk eller tape. Ikke transporter batterier som er sprukne eller som lekker. Kontakt spedistøren for å få ytterligere råd.

GJENVÆRENDE RISIKO

Selv om utstyret brukes som beskrevet er det ikke mulig å unngå enhver gjenværende risiko. Følgende faresituasjoner kan oppstå ved bruk, og operatøren må legge spesielt vekt på å unngå følgende:

- Personskade på grunn av vibrasjon
 - Bruk laveste hastighetsinnstilling som oppnår kuttingen. Begrens eksponering. Se «Reduksjon av risikoen» i denne håndboken.
- Skader skapt av støv.
 - Støv kan komme inn i øynene eller respirasjonssystemet. Bruk til enhver tid øyebeskyttelse. Bruk egnet støvkontrollmaske med filtre som egner seg til å beskytte mot partikler fra materialet som kuttes. Ikke spis, drikk eller røyk i arbeidsområdet. Sørg for tilstrekkelig ventilasjon.
- Skade forårsaket av elektrisk støt.
 - Bladet kan komme i kontakt med skylte ledninger og slik føre til at produktet blir «strømførende». Hold produktet alltid i de dertil tiltenkte håndtakene og pass på at du ikke kutter blindt inn i vegger og gulv der det kan være skjulte kabler.
- Personskader pga. kontakt med bladet
 - Sagbladene er meget skarpe og blir meget varme ved bruk. Bruk hansker når du skifter bladene. Hold hendene til enhver tid unna kutteområdet. Klem fast arbeidsemne når det er mulig.
- Skader skapt av støy.
 - Støy kan skade hørselen. Når du bruker elektrisk verktøy over en lenger tidsperiode, bruk hørselvern.

FAREREDUKSJON

Det foreligger rapporter om at vibrasjoner fra håndholdt verktøy for enkelte personer kan bidra til en tilstand som kalles Raynauds Syndrome. Symptomene kan omfatte følelsesløshet og gjøre fingrene bleke, vanligvis synlig ved eksponering til lave temperaturer. Arvelige faktorer, eksponering mot lave temperaturer og fuktighet, diett, røyking og arbeidspraksis blir alle ansett for å kunne bidra til å utvikle disse symptomene. Brukeren kan iverksette tiltak for mulig å redusere virkningene av vibrasjonene:

- Hold kroppen din varm i kaldt vær. Bruk hansker og hold hender og håndledd varme ved bruk av produktet. Det er rapportert at kaldt vær er en viktig faktor som bidrar til Raynauds Syndrome.
- Etter hver arbeidsperiode bør det utføres øvelser for å øke blodsirkulasjonen.
- Ta ofte pauser fra arbeidet som utføres. Begrens mengden av eksponering pr. dag.

Hvis du opplever noen av symptomene på denne tilstanden må du øyeblikkelig avbryte arbeidet og oppsøke en lege med disse symptomene.

⚠ ADVARSEL

Hvis man bruker verktøyet for lenge av gangen, kan det føre til eller forverre allerede eksisterende personskade. Når du bruker et verktøy over en lenger tidsperiode, husk å ta regelmessige pauser.

VEDLIKEHOLD

⚠ ADVARSEL

Sliperen skal aldri være koplet til en stikkontakt når du monterer deler, foretar innstillinger, gjør rent verktøyet eller når du ikke bruker det. Koble verktøyet fra strømmen slik at du unngår at det utilsiktet starter, noe som kan føre til alvorlige skader.

⚠ ADVARSEL

Ved service skal det bare benyttes originalprodusentens byttedeler, tilbehør og tilkoblinger. Bruk av deler som ikke er originale kan føre til personskade eller feil på produktet.

- Unngå bruk av løsemidler når du rengjør plastdelene. De fleste plastikkstoffene vil bli skadet dersom forskjellige tilgjengelige løsemiddel brukes på gressklipperen. Bruk en ren klut til å tørke bort smuss, støv osv.

⚠ ADVARSEL

Ikke på noe tidspunkt må du la bremsevæske, bensin, petroleumsbaserte produkter, rustopløsende oljer og lignende komme i kontakt med plastdelene. Kjemiske stoffer kan skade, svekke eller ødelegge plastikk som da kan føre til alvorlige personskader.

⚠ ADVARSEL

For edre sikkerhet og pålitelighet skal alle reparasjoner utføres av et autorisert verksted.

KJENN PRODUKTET DITT

Se side 123.

Deler

1. Sagblad
2. Monteringsklemme
3. Bladklemmespak
4. Låseknapp for avtrekker
5. Avtrekker
6. Håndtak
7. Kobling til batteriet

SYMBOLER PÅ PRODUKTET



Sikkerhetsalarm



Les og forstå alle instruksjoner før du betjener produktet. Følg alle advarsler og sikkerhetsanvisninger.



Bruk hørselvern.



Bruk øyebeskyttelse



Bruk kraftige, sklisikre hansker.



Bruk en maske.



Hold hendene vekke fra kniven.



Ikke utsette for regn eller fuktige forhold.



Garantert lydeffektnivå 94 dB



Avfall fra elektriske produkter skal ikke kastes sammen med husholdningsavfall. Vennligst resirkulervedeksisterende avfallsbehandlingssted. Undersøk hos dine lokale myndigheter eller forhandler for råd om resirkulering.



Dette verktøyet samsvarer med samtlige standarder i EU-landet der det er kjøpt.



EurAsian samsvarsmerke



Ukrainsk kontrolltegn

SYMBOLER I DENNE MANUALEN



Deler eller tilbehør som er tilgjengelige separat



Merk

EN
FR
DE
ES
IT
NL
DA
PT
SV
FI
NO
RU
PL
CS
HU
RO
LV
LT
ET
HR
SL
SK
BG
UK
TR



Advarsel



Fare! Skarpt blad



Hastighet, minimum



Hastighet, maks

Følgende signalord og meninger har til hensikt å forklare graden av risiko forbundet med bruken av dette produktet.

FARE

Indikerer en øyeblikkelig farlig situasjon, som, hvis ikke unngås, kan resultere i død eller alvorlig personskade.

ADVARSEL

Indikerer en potensiell farlig situasjon, som, hvis ikke unngås, kan resultere i død eller alvorlig personskade.

FORSIKTIGHETSREGEL

Indikerer en potensiell farlig situasjon, som, hvis ikke unngås, kan resultere i mindre eller moderat personskade.

FORSIKTIGHETSREGEL

(Uten sikkerhetssymbol) Indikerer en situasjon som kan resultere i skader på eiendom.



В основе конструкции вашей беспроводной пилы для обрезки ветвей лежат принципы безопасности, продуктивности и надежности.

НАЗНАЧЕНИЕ

К использованию беспроводной пилы для обрезки ветвей допускаются только совершеннолетние, способные нести ответственность за свои действия, после изучения инструкций и предостережений в настоящем руководстве.

Продукт предназначен только для использования на открытом воздухе в хорошо проветриваемом месте.

Изделие предназначено для обрезки небольших сучьев и ветвей диаметром 80 мм или менее.

Изделие предназначено для использования в портативном режиме. Запрещается устанавливать изделие на верстак, если нет специальных инструкций производителя, регламентирующих порядок такого крепления.

Не используйте устройство для каких-либо иных целей.

ОБЩИЕ УКАЗАНИЯ ПО ТЕХНИКЕ БЕЗОПАСНОСТИ ПРИ РАБОТЕ С ЭЛЕКТРОИНСТРУМЕНТОМ

⚠ ОСТОРОЖНО

Ознакомьтесь со всеми инструкциями по технике безопасности, иллюстрациями и техническими характеристиками, входящими в комплект изделия. Несоблюдение всех инструкций, указанных ниже, может привести к поражению электрическим током, пожару и / или телесному повреждению.

Сохраните все предупреждения и инструкции по технике безопасности для последующего использования.

Термин "электроинструмент" в данном описании относится к инструментам с питанием от сети (проводные) и от аккумуляторных батарей (беспроводные).

БЕЗОПАСНОСТЬ НА РАБОЧЕМ МЕСТЕ

- Рабочая зона должна быть свободна и хорошо освещена. Загромождение или плохое освещение рабочей зоны может привести к несчастным случаям.
- Не используйте электроинструмент во взрывоопасной среде, например в присутствии легковоспламеняющихся жидкостей, газов или пыли. В электроинструментах происходит искробразование, что может привести к воспламенению пыли или газа.
- Не допускайте присутствия детей и посторонних лиц при работе с инструментом. Невнимательность может привести к утрате контроля.

ЭЛЕКТРОБЕЗОПАСНОСТЬ

- Вилка кабеля питания инструмента должна соответствовать используемой розетке. Не подвергайте вилку кабеля каким-либо

изменениям. Не используйте какие-либо переходники с электроинструментами с заземляющим проводом. Использование оригинальных штепсельных вилок и соответствующих розеток предотвращает опасность поражения электрическим током.

- Не допускайте контакта частей тела с поверхностями заземленных предметов, таких как трубы, радиаторы отопления, кухонные плиты, холодильники. При соприкосновении частей тела человека с заземленными участками возрастает опасность поражения электрическим током.
- Не допускайте попадания влаги на изделие и не используйте его во влажной атмосфере. Попавшая внутрь инструмента вода повышает опасность поражения электрическим током.
- Обращайтесь с кабелем питания надлежащим образом. Не используйте кабель для переноски, перемещения или отключения инструмента от сети питания. Оберегайте кабель от источников тепла, масляных и острых предметов и движущихся деталей. Поврежденные или запутанные провода повышают опасность поражения электрическим током.
- При работе с электроинструментом вне помещений пользуйтесь удлинительным кабелем, предназначенным для наружного применения. Использование кабеля, предназначенного для наружного применения, снижает опасность поражения электрическим током.
- Если нет возможности избежать работы в условиях повышенной влажности, подключайте инструмент через устройство защитного отключения. При использовании устройства защитного отключения снижается опасность поражения электрическим током.

ЛИЧНАЯ БЕЗОПАСНОСТЬ

- Соблюдайте осторожность, следите за своими действиями и пользуйтесь здравым смыслом при работе с электроинструментом. Не пользуйтесь инструментом в состоянии усталости или под воздействием наркотических средств, алкоголя или медицинских препаратов. Малейшая невнимательность при работе с инструментом может привести к тяжкому телесному повреждению.
- Используйте средства индивидуальной защиты. Всегда надевайте средства защиты зрения. Такие средства защиты, как противопылевая маска, нескользящая обувь, жесткий головной убор и средства защиты органов слуха, при использовании в соответствующих условиях позволят снизить риск получения травмы.
- Не допускайте случайного запуска. Перед подключением к источнику питания или установкой аккумуляторной батареи, подъемом или перемещением инструмента убедитесь, что переключатель находится в положении «выключено». Во избежание несчастных случаев при перемещении инструмента не держите пальцы





на переключателе инструмента и не подключайте его к источнику питания при включенном положении переключателя.

- **Перед включением инструмента уберите все регулировочные и гаечные ключи.** Гаечные или регулировочные ключи, оставленные на вращающихся частях инструмента, могут привести к телесному повреждению.
- **Не перенапрягать.** Старайтесь сохранять устойчивость и подыскивайте твердую опору. Это обеспечивает лучшую управляемость электроинструментом в непредвиденных ситуациях.
- **Одевайтесь соответствующим образом. Не надевайте свободную одежду и украшения. Keep your hair and clothing away from moving parts.** Свободная одежда, украшения и длинные волосы могут попасть в движущиеся части.
- **Если в инструменте предусмотрено использование устройства удаления и сбора пыли, обеспечьте их надежное крепление и надлежащее использование.** Использование пылесборника снижает опасность, связанную с пылеобразованием.
- Не нарушайте правила техники безопасности, даже несмотря на длительный опыт работы с инструментами. Неосторожное действие может стать причиной тяжелых травм в течение доли секунды.

ИСПОЛЬЗОВАНИЕ И ОБРАЩЕНИЕ С ИНСТРУМЕНТОМ

- **Не прикладывайте чрезмерных усилий при работе с данным инструментом. В каждом случае используйте надлежащий электроинструмент.** Правильно выбранный электроинструмент позволяет выполнить работу, для которой он предназначен, более качественно и более безопасно.
- **Не пользуйтесь инструментом, если выключатель не включается или не выключается.** Любой электроинструмент, не управляемый выключателем, представляет опасность и должен быть отремонтирован.
- **Перед выполнением каких-либо регулировок, заменой приспособлений или хранением инструмента отключите вилку кабеля источника питания и/или аккумуляторной батареи от электроинструмента.** Такие меры предосторожности помогут предотвратить опасность случайного пуска инструмента.
- **Храните неиспользуемые электроинструменты в месте, недоступном для детей, а также не допускайте к использованию данного инструмента лиц, не знакомых с его работой или не ознакомленных с данными данными инструкциями.** Инструмент в руках неподготовленного лица представляет опасность.
- **Бережно обращайтесь с инструментом. Проверяйте инструмент на отсутствие перекосов или заклинивания движущихся частей, их неисправности или других причин, которые могут отразиться на работе**

инструмента. При повреждении инструмента перед его дальнейшим использованием его следует отремонтировать. Многие несчастные случаи вызваны ненадлежащим обращением с инструментом.

- **Содержите режущее устройство в чистоте и заточенном виде.** При надлежащем техническом обслуживании режущего инструмента снижается вероятность застревания режущих частей и облегчается управляемость.
- **Используйте инструмент, принадлежности, насадки и т.п. в соответствии с данными указаниями, и принимая во внимание условия работы и выполняемую работу.** Использование данного электроинструмента не по назначению может создать опасную ситуацию.
- **Держите ручки и поверхности захватывания сухими, чистым, не допускайте попадания на них смазочных веществ.** Скользкие ручки и поверхности захватывания не позволяют безопасно управлять и контролировать инструмент в непредвиденных ситуациях.

ЭКСПЛУАТАЦИЯ УСТРОЙСТВА С АККУМУЛЯТОРНЫМ ПИТАНИЕМ И УХОД ЗА НИМ

- **Зарядку выполняйте только с использованием зарядного устройства, указанного изготовителем.** Зарядное устройство, подходящее к одному типу аккумуляторных батарей, может создать опасность возгорания при использовании с аккумуляторными батареями другого типа.
- **Используйте электрические устройства только со специально предназначенными для них аккумуляторными батареями.** Использование аккумуляторных батарей другого типа может привести к телесным повреждениям или возгоранию.
- **Если аккумуляторная батарея не используется, храните ее отдельно от других металлических предметов, например канцелярских скрепок, монет, ключей, гвоздей, винтов и других мелких металлических предметов, которые могут привести к замыканию контактов батареи.** Замыкание контактов батареи может вызвать ожоги или привести к возгоранию.
- **При ненормальных условиях из батареи может вытечь жидкость, избегайте контакта с ней. Если этого избежать не удалось, смойте жидкость водой. Если жидкость попала в глаза, после их промывания обратитесь за медицинской помощью.** Жидкость, вытекающая из батареи, может вызвать раздражение или ожог.
- **Не используйте поврежденный или модифицированный аккумуляторный блок и инструмент.** Поврежденные или модифицированные аккумуляторы могут вести себя непредсказуемо, что может привести к пожару, взрыву или послужить причиной травмы.
- **Запрещается подвергать аккумуляторный блок или инструмент воздействию огня и высокой температуры.** Воздействие огня или температуры выше 130°C может привести к взрыву.





EN
FR
DE
ES
IT
NL
PT
DA
SV
FI
NO
RU
PL
CS
HU
RO
LV
LT
ET
HR
SL
SK
BG
UK
TR

- **Заряжайте аккумуляторные блоки и инструмент в соответствии с инструкцией, не подвергая их при этом воздействию температур вне диапазона, указанного в инструкции.** Несоблюдение инструкций и зарядка при воздействии температур вне диапазона, указанного в инструкции, может привести к повреждению аккумулятора и повысить риск возгорания.

ОБСЛУЖИВАНИЕ

- **Техническое обслуживание и ремонт инструмента должно выполняться только квалифицированным специалистом с использованием взаимозаменяемых запасных частей.** Это обеспечит нормальное техническое состояние устройства.
- **Обслуживание аккумуляторных блоков с признаками повреждения не допускается.** Обслуживание аккумуляторных блоков должно выполняться производителем или авторизованным сервисным центром.

ТРЕБОВАНИЯ БЕЗОПАСНОСТИ ПРИ ИСПОЛЬЗОВАНИИ БЕСПРОВОДНОЙ ПИЛЫ ДЛЯ ОБРЕЗКИ ВЕТВЕЙ

- При работе держите инструмент за рукоятки с электроизолирующим покрытием, так как пильное полотно может наткнуться на скрытую электропроводку. В результате контакта полотна с проводом, находящимся под напряжением, металлические части инструмента также могут оказаться под напряжением, что приведет к поражению работающего электрическим током.
- Используйте зажимы или другие приспособления для закрепления и удержания обрабатываемой детали в устойчивом положении. Удерживая деталь рукой или прижимая ее телом, вы не обеспечите ее устойчивости и это может привести к потере контроля.
- Держите руки за пределами рабочей зоны. Не помещайте руки под обрабатываемую деталь. Соприкосновение с пильным полотном может привести к травме.
- При установке пильного полотна необходимо использовать перчатки. Прикасаться к пильному полотну опасно.
- В процессе пильного полотна запрещается держать руку на выключателе и спусковом рычаге или рядом с ними. Существует опасность получения травмы вследствие случайного нажатия на выключатель.
- При смене пильного полотна убедитесь, что в держателе пильного полотна нет остатков материалов, таких как древесная или металлическая стружка.
- В процессе работы крепко удерживайте изделие одной рукой за рукоятку.
- В процессе работы не касайтесь крюка, полотна и воздушных отверстий.
- По завершении работы пильное полотно может быть горячим. Перед тем, как касаться полотна, дождитесь его остывания.
- Используйте устройство сбора пыли или

подключайте пылеотсос при эксплуатации изделия.

- Информация, касающаяся производительности режки.
- Инструкция по регулировке инструмента под разные положения пильного полотна (если применимо).
- Инструмент запустится автоматически в случае его остановки. В случае застревания инструмента немедленно выключите его. Не включайте инструмент повторно после его застревания, так как это может привести к его внезапному отскоку с большой инерцией. Определите причину остановки инструмента и устраните ее, уделяя особое внимание соблюдению инструкций по технике безопасности.
- Температура окружающей среды для эксплуатации инструмента (изделия) должна быть в диапазоне от 0°C до 40°C.
- Температура окружающей среды для хранения инструмента должна быть в диапазоне от 0°C до 40°C.
- Рекомендуемая температура окружающей среды для зарядного устройства в процессе зарядки должна быть в диапазоне между 10°C и 38°C.

ТРЕБОВАНИЯ БЕЗОПАСНОСТИ ПРИ ИСПОЛЬЗОВАНИИ ДОПОЛНИТЕЛЬНОЙ АККУМУЛЯТОРНОЙ БАТАРЕИ

⚠ ОСТОРОЖНО

Для предотвращения опасности пожара в результате короткого замыкания, травм и повреждения изделия не опускайте инструмент, сменный аккумулятор или зарядное устройство в жидкости и не допускайте попадания жидкостей внутрь устройств или аккумуляторов. Коррозионные и проводящие жидкости, такие как соленый раствор, определенные химикаты, отбеливающие средства или содержащие их продукты, могут привести к короткому замыканию.

- Температура окружающей среды для эксплуатации аккумулятора должна быть в диапазоне от 0°C до 40°C.
- Температура окружающей среды для хранения аккумулятора должна быть в диапазоне от 0°C до 20°C.
- Отделяйте электронный мусор надлежащим образом, извлекая установленную батарею из основного устройства перед утилизацией. Передавайте батареи в специальные пункты сбора.
- Чтобы извлечь встроенный аккумуляторный блок, разделите части корпуса, открутив винты. Отсоедините батарею от электрической цепи и извлеките.
- **ПРИМЕЧАНИЕ:** В случае вскрытия батареи, ее запрещается использовать или ремонтировать, и она должны быть утилизирована надлежащим образом.
- Прежде чем извлечь батарею из электроинструмента, включите устройство и не выключайте, пока батарея полностью не разрядится.



- Убедитесь, что батарея, которая должны быть утилизирована, не контактирует с другими батареями или проводящими материалами. Для этого закройте разъемы изоляционными крышками или изолянтной.

ПЕРЕВОЗКА ЛИТИЕВЫХ БАТАРЕЙ

Транспортировку батареи осуществляйте в соответствии местными и национальными нормами и положениями.

Следуйте всем особым требованиям к упаковке и маркировке при транспортировке батареи в сторонние организации. Проверьте, чтобы батарея не соприкасалась с другими батареями или токопроводящими материалами во время транспортировки, защитив открытые контакты с помощью изоляции, непроводящих колпачков или пленки. Не транспортируйте поврежденные или протекающие батареи. За консультацией обращайтесь в транспортно-экспедиционную компанию.

БУДЬТЕ ВСЕГДА ОСТОРОЖНЫ

Даже когда изделие используют согласно инструкциям, невозможно полностью устранить факторы риска. При эксплуатации могут возникнуть следующие ситуации, которым пользователь должен уделять особое внимание, чтобы избежать проблем:

- Травмы, вызываемые вибрацией
 - Используйте самую низкую скорость резки. Ограничивайте воздействие. См. раздел "Снижение риска" данного руководства.
- Травмы, вызываемые пылью
 - Возможно попадание пыли в глаза и дыхательную систему. Обязательно носите устройства для защиты глаз. Используйте надлежащую пылезащитную маску с фильтрами для блокирования частиц обрабатываемого материала. Не ешьте, не пейте и не курите в рабочей зоне. Обеспечьте надлежащую вентиляцию.
- поражение электрическим током
 - Пильное полотно может задеть скрытую проводку, при этом детали изделия окажутся под напряжением. Держите изделие только за предназначенные для этого ручки и будьте осторожны при пилении стен и полов, где могут быть скрыты кабели.
- травма от контакта с лезвием
 - Режущее полотно будет нагреваться во время использования. Выполняйте замену полотна в перчатках. Не допускайте попадания рук в зону резания. По возможности закрепляйте заготовку.
- Травма, вызванная шумом.
 - Шум может повредить слух. При использовании электроинструмента в течение длительного времени носите средства защиты органов слуха.

СНИЖЕНИЕ РИСКА

Считается, что вибрация ручного инструмента может привести к проявлению у отдельных лиц так называемой болезни Рейно (Raynaud's Syndrome). К симптомам могут относиться покалывание, онемение и побеление пальцев (как при переохлаждении). Считают, что наследственные факторы, охлаждение и влажность, диета, курение и практический опыт способствуют развитию этих симптомов. Ниже приводятся меры, которые может принять оператор для снижения воздействия вибрации:

- Одевайтесь теплее в холодную погоду. При эксплуатации изделия носите перчатки, чтобы сохранить руки и запытаясь в тепле. Считается, что холодная погода является основным фактором, способствующим возникновению болезни Рейно (Raynaud's Syndrome).
- После каждого этапа работы выполните упражнения для усиления кровообращения.
- Чаще делайте перерывы в работе. Сократите длительность ежедневного пребывания на открытом воздухе.

При появлении каких-либо из указанных симптомов сразу же прекратите работу и обратитесь по их поводу к врачу.

⚠ ОСТОРОЖНО

Слишком продолжительное использование инструмента может привести к травме. При использовании инструмента в течение длительного времени делайте регулярные перерывы.

ОБСЛУЖИВАНИЕ

⚠ ОСТОРОЖНО

Во время сборки деталей, выполнения настройки, чистки, технического обслуживания, а также когда инструмент не используется, необходимо обязательно отключить его от источника питания. Отключение инструмента от источника питания предотвращает его случайный пуск, который может привести к получению тяжелой травмы.

⚠ ОСТОРОЖНО

В ходе обслуживания и ремонта используйте только оригинальные запасные детали, аксессуары и модули производителя. Использование любых других частей может создавать опасность или причинять повреждение изделия.

- При очистке пластмассовых деталей не допускается использовать растворители. Большинство пластмасс восприимчиво, чтобы повредиться от различных типов коммерческих растворителей и может быть повреждено их использованием. Для снятия грязи, пыли и пр. пользуйтесь чистой тряпкой.

⚠ ОСТОРОЖНО

Не допускайте взаимодействия тормозных жидкостей, бензина, нефтепродуктов, пропиточных масел и т.п. с пластмассовыми деталями. Химические реагенты могут повредить, ослабить или разрушить пластмассовые детали, что может привести к тяжелым физическим травмам.

⚠ ОСТОРОЖНО

Для большей безопасности и надежности все ремонтные работы должны проводиться авторизованным сервисным центром.

ИЗУЧИТЕ УСТРОЙСТВО

См. стр. 123.

Детали

1. Пильное полотно
2. Крепежный зажим
3. Рычаг фиксатора полотна
4. Кнопка блокировки выключателя
5. Курковый выключатель
6. Рукоятка
7. Отделение для аккумулятора

УСЛОВНЫЕ ОБОЗНАЧЕНИЯ НА ПРОДУКТЕ



Внимание



Перед началом работы с изделием внимательно ознакомьтесь со всеми инструкциями. Соблюдайте технику безопасности.



Носите устройства защиты слуха.



Используйте средства защиты органов зрения



Надевайте нескользящие перчатки для работы в тяжелых условиях.



Носите маску.



Не касайтесь режущих полотен.



Не подвергайте инструмент воздействию дождя и не используйте в условиях повышенной влажности.



Гарантируемый уровень звуковой мощности 94 dB



Отработанная электротехническая продукция должна уничтожаться вместе с бытовыми отходами. Утилизируйте, если имеется специальное техническое оборудование. По вопросам утилизации проконсультируйтесь с местным органом власти или предприятием розничной торговли.



Настоящий инструмент отвечает всем официальным стандартам страны ЕС, в которой он был приобретен.



Знак Евразийского Соответствия



Украинский знак стандартизации

УСЛОВНЫЕ ОБОЗНАЧЕНИЯ В ДАННОМ РУКОВОДСТВЕ



Детали или принадлежности, приобретаемые отдельно



Примечание



Осторожно



Опасно! Острое лезвие



Скорость, минимальная



Скорость, максимальная

Следующие сигнальные слова и значения предназначены для того, чтобы объяснить уровень риска, связанного с этим изделием:

⚠ ОПАСНО

Указывает неизбежно опасную ситуацию, которая, если не избежать, кончится смертельным или серьезным ущербом.

⚠ ОСТОРОЖНО

Указывает потенциально опасную ситуацию, которая, если не избежать, может кончиться смертельным или серьезным ущербом.

⚠ ПРЕДОСТЕРЕЖЕНИЕ

Указывает потенциально опасную ситуацию, которая, если не избежать, может кончиться малым или уменьшенным ущербом.

ПРЕДОСТЕРЕЖЕНИЕ

(Без Символа Тревоги Безопасности) Указывает ситуацию, которая может кончиться повреждением собственности.

Транспортировка:

Категорически не допускается падение и любые механические воздействия на упаковку при транспортировке.

При разгрузке/погрузке не допускается использование любого вида техники, работающей по принципу зажима упаковки.

Хранение:

Необходимо хранить в сухом месте.

Необходимо хранить вдали от источников повышенных температур и воздействия солнечных лучей.

При хранении необходимо избегать резкого перепада температур.

Хранение без упаковки не допускается.

Срок службы изделия:

Срок службы изделия составляет 5 лет.

Не рекомендуется к эксплуатации по истечении 5 лет хранения с даты изготовления без предварительной проверки.

Дата изготовления (код даты) отштампован на поверхности корпуса изделия.

Пример:

W17 Y2015, где Y2015 - год изготовления

W17 – неделя изготовления

Определить месяц изготовления можно согласно приведенной ниже таблице, на примере 2015 года.

Обратите внимание! Количество недель в месяце различается от года в год.

Месяц	Январь	Февраль	Март	Апрель	Май	Июнь	Июль	Август	Сентябрь	Октябрь	Ноябрь	Декабрь	Год
Неделя	01	05	09	14	18	22	27	31	36	40	44	49	2015
	02	06	10	15	19	23	28	32	37	41	45	50	
	03	07	11	16	20	24	29	33	38	42	46	51	
	04	08	12	17	21	25	30	34	39	43	47	52	
	05	09	13	18	22	26	31	35	40	44	48	53	
			14			27							



Bezpieczeństwo, efektywność i niezawodność były czynnikami o najwyższym priorytecie w trakcie projektowania Państwa przycinarki akumulatorowej.

PRZEZNACZENIE URZĄDZENIA

Przycinarkę powinny obsługiwać odpowiedzialne za swoje czyny osoby dorosłe, które przeczytały i zrozumiały instrukcje i ostrzeżenia zawarte w niniejszym podręczniku.

Produkt jest przeznaczony do użytku wyłącznie na zewnątrz pomieszczeń w dobrze wentylowanym miejscu.

Produkt przeznaczony jest do obcinania i przycinania znajdujących się wysoko nad ziemią małych gałęzi (o średnicy nieprzekraczającej 80 mm).

Ten produkt przeznaczony jest do trzymania w dłoni. Tego produktu nie należy montować na stole warsztatowym, chyba że jego producent przekaze szczegółowe instrukcje dotyczące sposobu postępowania w tym zakresie.

Nie używać do żadnych innych celów.

OGÓLNE ZASADY BEZPIECZEŃSTWA DOTYCZĄCE URZĄDZEŃ ELEKTRYCZNYCH

⚠ OSTRZEŻENIE

Należy zapoznać się ze wszystkimi dostarczonymi z tym produktem instrukcjami, ilustracjami i specyfikacjami. Nieprzestrzeganie przedstawionych niżej zaleceń mogłoby pociągnąć za sobą wypadki takie jak pożary, porażenia prądem elektrycznym i zranienie osób.

Zachowajcie te ostrzeżenia i zalecenia, aby móc się do nich odnieść w późniejszym czasie.

Termin "elektronarzędzia" stosowany w przedstawionych tu zasadach bezpieczeństwa odnosi się zarówno do urządzeń zasilanych z sieci energetycznej (przewodowych) jak i urządzeń zasilanych z akumulatora (bezprowadowych).

OTOCZENIE ROBOCZE

- **Miejsce pracy musi być utrzymywane w czystości i dobrze oświetlone.** Obszary zaśmiecone lub niewystarczająco oświetlone mogą być przyczyną wypadku.
- **Nie wolno uruchamiać urządzeń elektrycznych w miejscach, gdzie grozi to wybuchem, na przykład w pobliżu łatwopalnych cieczy, gazów lub pyłów.** Urządzenia elektryczne mogą wytwarzać iskry, które mogą być przyczyną zapłonu pyłów lub oparów.
- **Podczas używania narzędzi elektrycznych należy utrzymywać osoby postronne i dzieci z dala od miejsca pracy.** Odwrócenie uwagi operatora może spowodować utratę kontroli nad urządzeniem.

ZASADY BEZPIECZEŃSTWA DOTYCZĄCE OBSŁUGI URZĄDZEŃ ELEKTRYCZNYCH

- **Wtyczki zasilania elektronarzędzi muszą pasować do gniazd sieciowych. Nie wolno modyfikować wtyczek w żaden sposób. Nie wolno używać żadnych przejściówek do podłączania urządzeń posiadających przewód zasilania z uziemieniem.**

Stosowanie oryginalnych wtyczek i dopasowanych gniazd sieciowych zmniejsza ryzyko porażenia prądem.

- **Unikać kontaktu ciała z powierzchniami uziemionymi lub podłączonymi do bieguna zerowego, np..rury, instalacje grzewcze i chłodnicze.** Kontakt ciała z masą lub uziemieniem zwiększa ryzyko porażenia prądem.
- **Nie narażać tego produktu na działanie deszczu lub wody.** Przedostanie się wody do wnętrza elektronarzędzia zwiększa ryzyko porażenia prądem.
- **Nie uszkodzić przewodu zasilania. Nie wolno używać przewodu zasilania do przenoszenia, ciągnięcia urządzenia lub jego odłączania z gniazda sieciowego. Przewody elektryczne trzymać z dala od źródeł ciepła, oleju, ostrych krawędzi lub ruchomych elementów.** Uszkodzony lub zaplątany przewód elektryczny zwiększa ryzyko porażenia prądem.
- **W przypadku używania urządzenia na zewnątrz, ewentualne przedłużacze muszą być do tego przystosowane.** Zastosowanie przedłużacza przystosowanego do warunków zewnętrznych zmniejsza ryzyko porażenia prądem.
- **Jeśli nie można uniknąć użytkowania urządzenia elektrycznego w warunkach wilgotnych, należy je zasilac z obwodu zabezpieczonego wyłącznikiem różnicowo-prądowym (RCD).** Zastosowanie takiego wyłącznika pozwala zmniejszyć ryzyko porażenia prądem elektrycznym.

BEZPIECZEŃSTWO OSOBISTE

- **Zachowywać skupienie, uważnie obserwować wykonywane czynności, stosować zasady zdrowego rozsądku podczas obsługi urządzenia. Nie używać urządzeń elektrycznych w stanie zmęczenia lub będąc pod wpływem leków, alkoholu lub środków odurzających.** Moment nieuwagi podczas obsługi elektronarzędzia może być przyczyną poważnego zranienia.
- **Stosować środki ochrony osobistej. Zawsze nosić okulary ochronne.** Sprzęt ochronny, taki jak maski przeciwpyłowe, ochronne obuwie antypoślizgowe, kask czy ochronniki słuchu, stosowany w odpowiednich warunkach pozwala zapobiegać obrażeniom.
- **Unikać możliwości przypadkowego uruchomienia urządzenia. Przed podłączeniem do zasilania/ założeniem akumulatora lub w celu jego podniesienia lub przeniesienia należy upewnić się, że wyłącznik zasilania znajduje się w położeniu wyłączonym.** Przenoszenie elektronarzędzia z palcem na wyłączniku lub podłączenie zasilania do urządzenia, w którym wyłącznik znajduje się w położeniu włączonym grozi wypadkiem.
- **Usunąć wszelkie narzędzia i klucze przed włączeniem zasilania.** Uruchomienie elektronarzędzia z kluczem założonym na ruchomym elemencie grozi poważnym wypadkiem.
- **Nie sięgać zbyt daleko. Należy cały czas pewnie opierać stopy i utrzymywać równowagę.** Zapewni to lepsze panowanie nad urządzeniem w nieprzewidzianych sytuacjach.





- **Należy zakładać odpowiednią odzież ochronną. Nie zakładać luźnego ubioru ani biżuterii. Keep your hair and clothing away from moving parts.** Mogą być one wciągnięte przez ruchome części urządzenia.
- **Jeśli używane urządzenie posiada przyłącze do wyciągu i gromadzenia kurzu, należy go używać w odpowiedni sposób.** Stosowanie metod usuwania pyłu zmniejsza zagrożenie związane z jego gromadzeniem.
- Nie należy dopuszczać do tego, aby wcześniejsza znajomość obsługi podobnych narzędzi doprowadziła do ignorowania zasad bezpiecznego posługiwania się narzędziem. Nieostrożna obsługa może spowodować poważne urazy ciała w ciągu ułamka sekundy.

UŻYTKOWANIE I KONSERWACJA URZĄDZEŃ ELEKTRYCZNYCH

- **Nie przeciążać urządzenia. Używać odpowiedniego narzędzia do odpowiedniego rodzaju prac.** Najlepsze efekty pracy, przy zachowaniu pełnego bezpieczeństwa, zapewni używanie urządzeń w zakresie parametrów znamionowych i stosownie do ich przeznaczenia.
- **Nie używać tego urządzenia, jeśli wyłącznik nie pracuje poprawnie.** Używanie elektronarzędzia bez sprawnego wyłącznika jest zbyt niebezpieczne - należy oddać je do naprawy.
- **Przed przystąpieniem do regulacji, wymiany akcesoriów lub przed odłożeniem elektronarzędzia w miejsce przechowywania należy wyjąć wtyczkę z gniazda sieciowego lub wyjąć akumulator.** Tego rodzaju środki zapobiegawcze pozwolą zmniejszyć ryzyko przypadkowego uruchomienia elektronarzędzia.
- **Nieużywane urządzenia należy przechowywać poza zasięgiem dzieci. Nie wolno zezwalać osobom nie obeznanym z obsługą urządzeń elektrycznych na ich używanie.** Urządzenia elektryczne mogą być niebezpieczne w rękach osób nieposiadających odpowiedniego przygotowania.
- **Urządzenia elektryczne wymagają konserwacji. Należy sprawdzać wyrównanie elementów ruchomych, sprawdzać, czy nie ma jakichkolwiek uszkodzeń, uwzględnić wszelkie aspekty mające wpływ na bezpieczną pracę urządzenia. W przypadku stwierdzenia uszkodzeń, oddać urządzenie do naprawy.** Wiele wypadków spowodowane jest używaniem urządzeń w niewłaściwym stanie technicznym.
- **Elementy tnące muszą być ostre i czyste.** Odpowiednio ostre krawędzie tnące ułatwią prowadzenie urządzenia i są bardziej odporne na uszkodzenie.
- **Wszelkie urządzenia, przystawki, akcesoria itp. należy używać zgodnie z dołączonymi instrukcjami obsługi, z uwzględnieniem warunków i charakteru wykonywanej pracy.** Używanie narzędzi w sposób niezgodny z ich przeznaczeniem grozi poważnym niebezpieczeństwem.
- **Uchwyty i powierzchnie do trzymania muszą zawsze być suche, czyste i wolne od smaru oraz oleju.** Śliskie uchwyty i powierzchnie do trzymania nie umożliwiają bezpiecznej obsługi i kontrolowania narzędzia w nieoczekiwanych sytuacjach.

UŻYTKOWANIE I OBSŁUGA AKUMULATORA

- **Ładować wyłącznie za pomocą ładowarki dostarczonej przez producenta.** Ładowarka przeznaczona do jednego modelu akumulatora może być przyczyną pożaru w przypadku zastosowania do ładowania akumulatora innego typu.
- **Używać narzędzi ręcznych z napędem elektrycznym wyłącznie z akumulatorami przeznaczonymi do tych urządzeń.** Używanie innych akumulatorów wiąże się ze zwiększonym ryzykiem pożaru lub obrażeń ciała.
- **Gdy akumulator nie jest używany, przechowywać go z dala od innych metalowych przedmiotów, np. spinaczy, monet, kluczy, gwoździ, śrub lub innych małych metalowych przedmiotów, które mogłyby utworzyć połączenie między stykami, prowadząc do zwarcia.** Zwarcie styków akumulatora może spowodować oparzenia lub pożar.
- **W przypadku niewłaściwej obsługi może dojść do wycieku płynu z akumulatora, należy unikać kontaktu z tym płynem. Miejsce ewentualnego kontaktu przepłukać wodą.** W przypadku, gdy płyn dostanie się do oczu, po przemyciu zwrócić się o pomoc do lekarza. Płyn wyciekający z akumulatora może powodować podrażnienia i oparzenia.
- **Nie stosować uszkodzonych ani zmodyfikowanych akumulatorów i narzędzi.** Uszkodzone lub zmodyfikowane akumulatory mogą zachowywać się w sposób nieprzewidywalny, co może prowadzić do pożaru, wybuchu lub ryzyka obrażeń.
- **Nie narażać akumulatora lub narzędzia na działanie ognia lub zbyt wysokich temperatur.** Narażenie na działanie ognia lub temperatury powyżej 130°C może spowodować wybuch.
- **Przestrzegać wszystkich instrukcji ładowania i nie ładować akumulatora ani narzędzia poza podanym w instrukcji zakresem temperatur.** Ładowanie w niewłaściwy sposób lub w temperaturze poza określonym zakresem może doprowadzić do uszkodzenia akumulatora i wzrostu zagrożenia pożarowego.

KONSERWACJA

- **Urządzenie elektryczne powinno być naprawiane przez wykwalifikowany personel, z zastosowaniem identycznych części zamiennych.** Dzięki temu zapewnione będzie bezpieczeństwo użytkownika urządzenia.
- **Nigdy nie serwisować uszkodzonych akumulatorów.** Serwisowaniem akumulatorów powinien zajmować się wyłącznie producent lub autoryzowany serwis.

PRZYCINARKA AKUMULATOROWA — OSTRZEŻENIA DOTYCZĄCE BEZPIECZEŃSTWA

- **Urządzenie elektryczne należy trzymać za izolowany uchwyt, gdy zachodzi ryzyko przewiercenia przewodu pod napięciem.** Kontakt z przewodem pod napięciem może spowodować przepływ prądu przez metalowe elementy urządzenia i porażenie operatora.
- **Należy stosować zaciski lub inne praktyczne metody mocowania obrabianego materiału do stabilnej**





platformy. Przytrzymywanie obrabianego materiału ręką lub dociskanie go do ciała powoduje niestabilność materiału i może doprowadzić do utraty kontroli.

- Nie zbliżać dłoni do miejsc, do których sięga brzeszczot. Nie sięgać pod obrabiany przedmiot. Kontakt z brzeszczotem przycinarki może prowadzić do obrażeń ciała.
- W trakcie pracy z brzeszczotem przycinarki należy nosić rękawice. Istnieje niebezpieczeństwo zranienia przy dotykaniu brzeszczotu przycinarki.
- W trakcie wymiany brzeszczotu przycinarki nie należy trzymać produktu jedną dłonią lub w pobliżu włącznika/wyłącznika i spustu. W przypadku niezamierzonego włączenia/wyłączenia urządzenia istnieje niebezpieczeństwo odniesienia obrażeń ciała.
- Przy wymianie ostrza piły należy upewnić się, że w uchwycie ostrza piły nie ma żadnych pozostałości, takich jak opiłki metalu lub trociny.
- Podczas cięcia trzymać produkt mocno jedną dłonią za uchwyt.
- Podczas cięcia nie należy dotykać haka, brzeszczotu ani otworów wentylacyjnych.
- Po cięciu brzeszczot piły może być gorący. Przed dotknięciem brzeszczotu należy poczekać, aż ostygnie.
- Podczas obsługi produktu należy używać urządzenia odpylającego lub odkurzacza.
- Informacje dotyczące wydajności cięcia.
- Instrukcja dostosowywania narzędzia do różnych pozycji brzeszczotu (jeśli ma zastosowanie).
- W przypadku samoczynnego zatrzymania produkt uruchomi się automatycznie. W przypadku samoczynnego zatrzymania natychmiast wyłączyć produkt. Bezpośrednio po samoczynnym zatrzymaniu nie włączać produktu ponownie, ponieważ może to spowodować nagle odbicie spowodowane wysoką siłą reakcji. Określić przyczynę samoczynnego zatrzymania i usunąć ją, zwracając uwagę na zalecenia dotyczące bezpieczeństwa.
- Zakres temperatury otoczenia dla narzędzia (produktu) podczas eksploatacji to od 0°C do 40°C.
- Zakres temperatury otoczenia dla narzędzia podczas przechowywania to od 0°C do 40°C.
- Zalecany zakres temperatury otoczenia dla układu ładującego podczas ładowania to od 10°C do 38°C.

AKUMULATOR — DODATKOWE OSTRZEŻENIA DOTYCZĄCE BEZPIECZEŃSTWA

⚠ OSTRZEŻENIE

Aby uniknąć niebezpieczeństwa pożaru, obrażeń lub uszkodzeń produktu na skutek zwarcia, nie wolno zanurzać narzędzia, akumulatora wymiennego ani ładowarki w cieczach i należy zatroszczyć się o to, aby do urządzeń i akumulatorów nie dostały się żadne cieczki. Zwarcie spowodować mogą korodujące lub przewodzące cieczki, takie jak woda morska, określone chemikalia i wybielacze lub produkty zawierające wybielacze.

- Zakres temperatury otoczenia dla akumulatora podczas eksploatacji to od 0°C do 40°C.
- Zakres temperatury otoczenia dla akumulatora podczas przechowywania to od 0°C do 20°C.
- Odpady elektroniczne należy odpowiednio segregować – w tym celu należy usunąć zintegrowany akumulator z urządzenia przed jego wyrzuceniem. Akumulator należy przekazać do odpowiedniego punktu zbiórki.
- Aby wyjąć zintegrowany moduł akumulatora, należy oddzielić od siebie skorupy obudowy od siebie, wykręcając śruby. Odłącz akumulator od modułu elektronicznego i wyjmij go.
- **UWAGA:** Produkt po otwarciu nie nadaje się już do użytku ani do naprawy i należy zutilizować go w odpowiedni sposób.
- Przed wymontowaniem akumulatora z elektronarzędzia należy pozostawić urządzenie włączone, aż do całkowitego rozładowania akumulatora.
- Należy dopilnować, aby akumulator, który ma być wyrzucony, nie zetknął się z innymi bateriami, akumulatorami ani materiałami przewodzącymi prąd. W tym celu należy zabezpieczyć odkryte złącza taśmą izolacyjną lub odpowiednimi nakładkami z nieprzewodzącego materiału.

TRANSPORTOWANIE AKUMULATORÓW LITOWYCH

Akumulatory należy transportować zgodnie z lokalnymi i krajowymi przepisami i regulacjami.

Należy postępować zgodnie z wszystkimi specjalnymi wymaganiami dotyczącymi pakowania i etykietowania akumulatorów podczas transportu przez stronę trzecią. Upewnij się, że żadne akumulatory nie zetkną się z innymi akumulatorami lub materiałami przewodzącymi podczas transportu; w tym celu należy zabezpieczyć odkryte złącza nieprzewodzącymi nakładkami izolacyjnymi lub taśmą izolacyjną. Nie należy transportować pękniętych ani nieszczelnych akumulatorów. Szczegółowe porady można uzyskać w firmie spedycyjnej.

RYZYKO ZWIĄZANE Z UŻYTKOWANIEM

Nawet jeśli produkt jest używany zgodnie z zaleceniami, nadal nie jest możliwe wyeliminowanie określonych czynników ryzyka. Następujące zagrożenia mogą wystąpić podczas używania urządzenia i operator powinien zwracać szczególną uwagę na poniższe punkty:

- Urazy ciała spowodowane przez wibracje
 - Należy stosować najniższą prędkość, która pozwala uzyskać cięcie. Ograniczyć narażenie na kontakt. Patrz: rozdział „Ograniczenie ryzyka” w niniejszej instrukcji.
- Urazy ciała spowodowane pyłem
 - Pył może dostać się do oczu lub dróg oddechowych. Stosować przez cały czas środki ochrony oczu. Nosić odpowiednią maskę przeciwpyłową z filtrami odpowiednimi do ochrony przed cząstkami ciętego materiału. Nie jeść, nie pić i nie palić w miejscu pracy. Zapewnić odpowiednią wentylację.
- obrażenia spowodowane porażeniem prądem elektrycznym



- Ostrze może zetknąć się z ukrytymi przewodami, w rezultacie czego części produktu mogą być pod napięciem. Produkt zawsze należy trzymać za odpowiednie uchwyty i należy zachować ostrożność w przypadku cięcia otworów w ścianach i podłogach, gdzie mogą przebiegać kable.
- Urazy ciała spowodowane kontaktem z ostrzem
 - Ostrza są bardzo ostre i podczas pracy są gorące. Podczas wymiany ostrzy należy nosić rękawice. Przez cały czas należy trzymać ręce z dala od obszaru cięcia. Jeśli to możliwe, należy unieruchomić obrabiany materiał.
- Urazy ciała spowodowane hałasem
 - Hałas może spowodować uszkodzenie słuchu. W przypadku używania elektronarzędzi przez wydłużony okres czasu należy nosić środki ochrony słuchu.

OGRANICZENIE RYZYKA

Badania dowodzą, że wibracje powodowane przez narzędzia ręczne mogą wywoływać u niektórych osób objawy syndromu Raynauda. Typowe objawy to mrowienie, drętwienie i blednięcie palców, widoczne zwykle po wystawieniu na działanie zimna. Uważa się, że czynniki dziedziczne, wystawienie na działanie zimna i wilgoci, dieta, palenie papierosów i przyjęte zwyczaje przyczyniają się do rozwoju tych objawów. Istnieją działania, które może podjąć operator maszyny w celu ograniczenia skutków emisji drgań:

- Zadbaj w niskich temperaturach o ciepłotę własnego ciała, zakładając odpowiednie ubranie. Podczas obsługi produktu należy nosić rękawice, aby dłonie i nadgarstki były ciepłe. Wiadomo, że niskie temperatury są główną przyczyną powstawania objawu Raynauda.
- Podczas przerw w pracy należy wykonywać ćwiczenia poprawiające krążenie krwi.
- Podczas pracy robić częste przerwy. Ograniczyć ekspozycję w ciągu dnia.

W razie doświadczenia dowolnego z wymienionych objawów, należy niezwłocznie zaprzestać użytkowania tego urządzenia i skontaktować się z lekarzem.

⚠ OSTRZEŻENIE

Długotrwałe użytkowanie narzędzia może spowodować obrażenia ciała lub nasilić dolegliwości zdrowotne. W przypadku używania narzędzia przed dłuższy czas należy pamiętać o regularnych przerwach.

KONSERWACJA

⚠ OSTRZEŻENIE

Wasza szlifierka nie powinna być podłączona do gniazdka elektrycznego, kiedy zakładacie części, wykonujecie regulacje, podczas jej czyszczenia bądź kiedy jej nie używacie. Odłączenie produktu od zasilania pozwala zapobiec przypadkowemu uruchomieniu, które mogłoby spowodować obrażenia.

⚠ OSTRZEŻENIE

W przypadku serwisowania należy korzystać wyłącznie z oryginalnych części zamiennych, akcesoriów i przyrządów producenta. Stosowanie zamienników innych firm może stwarzać zagrożenie dla zdrowia użytkownika lub uszkodzić urządzenie.

- Unikać stosowania rozpuszczalników do czyszczenia plastikowych części. Większość plastików jest wrażliwa na rozmaite rozpuszczalniki dostępne w handlu i może ulec uszkodzeniu przez ich stosowanie. Używajcie czystej szmatki do mycia zabrudzeń, pyłu, itd.

⚠ OSTRZEŻENIE

Nie wolno dopuścić do kontaktu plastikowych części z płynem hamulcowym, benzyną, produktami ropopochodnymi, olejami penetrującymi itp. Substancje chemiczne mogą uszkodzić, osłabić lub zniszczyć tworzywo sztuczne, co może spowodować poważne obrażenia ciała.

⚠ OSTRZEŻENIE

Aby zapewnić wyższy poziom bezpieczeństwa i niezawodności, wszystkie naprawy powinny być przeprowadzane przez autoryzowany punkt serwisowy.

POZNAJ SWÓJ PRODUKT

Patrz str. 123.

Części

1. Tarcza do pilarki
2. Zacisk montażowy
3. Dźwignia zacisku brzeszczotu
4. Blokada przycisku uruchamiającego
5. Przycisk uruchamiający
6. Rękojeść
7. Podłączenie do akumulatora

SYMBOLE UMIESZCZONE NA PRODUKCIE



Zagrożenie bezpieczeństwa



Przed przystąpieniem do obsługi produktu należy przeczytać ze zrozumieniem wszystkie instrukcje. Należy przestrzegać wszystkich ostrzeżeń i instrukcji dotyczących bezpieczeństwa.



Należy stosować środki ochrony słuchu.



Zakładać środki ochrony wzroku



Należy nosić antypoślizgowe, grube rękawice ochronne.



Należy nosić maskę.



Nie zbliżać rąk do ostrej.



Nie wystawiać urządzenia na działanie deszczu ani nie używać w miejscach o dużej wilgotności.



Maksymalny poziom natężenia hałasu 94 dB



Zużyte produkty elektryczne nie powinny być utylizowane z odpadami domowymi. Prosimy poddawać recyklingowi w odpowiednich miejscach. Informacje o właściwych metodach recyklingu można uzyskać u władz lokalnych lub sprzedawcy.



Produkt spełnia wszystkie wymagania norm w kraju należącym do Unii Europejskiej, gdzie produkt został zakupiony.



Oznaczenie zgodności EurAsian



Ukraiński znak zgodności

Następujące wyrażenia i znaczenia wyrażają poziom zagrożenia związanego z tym produktem:

⚠ NIEBEZPIECZEŃSTWO

Wskazuje na realne zagrożenie, które może spowodować śmierć lub poważne zranienie, jeżeli się nie uniknie tego niebezpieczeństwa.

⚠ OSTRZEŻENIE

Wskazuje na potencjalne zagrożenie, które może spowodować śmierć lub poważne zranienie, jeżeli się nie uniknie tego niebezpieczeństwa.

⚠ UWAGA

Wskazuje na potencjalne zagrożenie, które może spowodować mniejsze lub bardziej poważne zranienie, jeżeli się nie uniknie tego niebezpieczeństwa.

UWAGA

(Bez symbolu bezpieczeństwa) Wskazuje na sytuację mogącą spowodować straty materialne.

- EN
- FR
- DE
- ES
- IT
- NL
- PT
- DA
- SV
- FI
- NO
- RU
- PL**
- CS
- HU
- RO
- LV
- LT
- ET
- HR
- SL
- SK
- BG
- UK
- TR

SYMBOLE STOSOWANE W NINIEJSZEJ INSTRUKCJI



Części lub akcesoria sprzedawane osobno



Uwaga



Ostrzeżenie!



Niebezpieczeństwo! Ostry brzeszczot



Bieg, minimalne



Bieg, maksymalny



Při konstrukci této akumulátorové vyvívavací pily hrály hlavní roli bezpečnost, provozní vlastnosti a spolehlivost.

ZAMÝŠLENÉ POUŽITÍ

Tato akumulátorová vyvívavací pila je určena k používání dospělými osobami, které četly návod k použití, chápou rizika a nebezpečí a ním spojená a mohou být považovány za osoby zodpovědné za své jednání.

Tento výrobek je určen pouze pro venkovní používání v dobře větrané oblasti.

Tato pila je určena k řezání a přeřezávání malých kmínků a větví o průměru maximálně 80 mm.

Toto nářadí je určeno k ručnímu používání. Pokud výrobce pily neposkytne konkrétní pokyny k takovému postupu, není produkt určen k montáži na pracovní stůl.

Přístroj nepoužívejte ji k jiným účelům.

OBECNÁ BEZPEČNOSTNÍ VAROVÁNÍ K ELEKTRICKÝM NÁSTROJŮM

VAROVÁNÍ

Přečtěte si všechny bezpečnostní pokyny, ilustrace a specifikace dodané s tímto produktem. Opomenutí dodržování všech pokynů uvedených níže může způsobit úraz elektřinou, požár a/nebo vážná poranění u osob.

Uchovejte všechny pokyny a upozornění, abyste se k nim mohli v budoucnosti vrátit.

Pojem „elektricky poháněný nástroj“ ve varování poukazuje na váš nástroj, který je napájen pomocí napájecího kabelu z elektrické sítě (s kabelem) nebo z baterie (bez přívodního kabelu).

PRACOVNÍ PROSTŘEDÍ

- **Udržujte pracovní prostor čistý a dobře osvětlený.** Zatarasené nebo tmavé oblasti vedou k nehodám.
- **Nepracujte s tímto elektricky poháněným nástrojem ve výbušných prostředích, například v přítomnosti hořlavých kapalin, plynů nebo prachu.** Elektricky poháněné nástroje vytváří jiskry, které mohou zapálit prach nebo výpary.
- **Udržujte děti a přihlížející během práce s elektricky poháněným nástrojem stranou.** Rozptylování může způsobit ztrátu kontroly.

ELEKTRICKÁ BEZPEČNOST

- **Zástrčky elektricky poháněného nástroje musí být shodné s elektrickou zásuvkou.** Nepokoušejte se zástrčku jakýmkoliv způsobem upravovat. **Nepoužívejte žádný adaptér zástrček se zemněným (uzemněným) elektricky poháněným nástrojem.** Neupravené zástrčky a shodné zásuvky snižují nebezpečí elektrického úrazu.
- **Předcházejte tělesnému kontaktu s uzemněnými nebo zemněnými povrchy, například trubkami, radiátory, sporáky a lednicemi.** Je zde zvýšené nebezpečí zásahu elektrickým proudem, pokud je vaše tělo zemněno nebo uzemněno.

- **Nevystavujte tento přístroj dešti nebo vlhkým podmínkám.** Voda vnikající do elektricky poháněného nástroje zvyšuje nebezpečí elektrického úrazu.
- **Nepoškozujte napájecí kabel. Nikdy pro odpojování, táhnutí nebo přenášení elektricky poháněného nástroje nepoužívejte kabel. Udržujte kabel mimo horké plochy, olej, pohyblivé součásti nebo ostré hrany.** Poškozené nebo zamotané kabely zvyšují nebezpečí elektrického úrazu.
- **Pokud používáte elektricky poháněný nástroj ve venkovním prostředí, používejte prodlužovací kabel vhodný pro venkovní prostředí.** Použití kabelu vhodného pro venkovní prostředí snižuje nebezpečí elektrického úrazu.
- **Pokud používáte elektricky poháněný nástroj ve vlhkém prostředí, je nezbytné používat proudový chránič (PCH).** Použitím PCH snížíte nebezpečí poranění elektrickým proudem.

OSOBNÍ BEZPEČNOST

- **Budte ve střehu, hlídejte, co děláte a používejte zdravý rozum při provozu tohoto elektricky poháněného nástroje.** Elektrický nástroj nepoužívejte, pokud jste unavení nebo pod vlivem drog, alkoholu nebo léků. Chvilky nepozornosti při práci s tímto elektricky poháněným nástrojem může způsobit vážná poranění osob.
- **Používejte osobní ochrannou výbavu. Vždy noste ochranu očí.** Ochranné prostředky jako ochranná maska, protiskluzová bezpečnostní obuv, přilba a ochrana sluchu využívané podle podmínek snižují riziko úrazů.
- **Zabraňte náhodnému spuštění. Zabezpečte, aby byl spínač v poloze vypnuto (off) před připojením zdroje energie a/nebo bloku baterií, přípravou nebo nesením nástroje.** Nošení elektrického nástroje s vaším prstem na spínači nebo se zapojenou zástrčkou elektrického nástroje může při zapnutí vést k nehodě.
- **Odstraňte všechny seřizovací klíče nebo šroubováky, než zapnete poháněný nástroj.** Klíč nebo šroubovák ponechaný přiložený k pohyblivému dílu elektricky poháněného nástroje může způsobit poranění osob.
- **Nepřeceňujte se. Udržujte řádné postavení a rovnováhu po celou dobu práce.** Toto umožňuje lepší ovládání poháněného nástroje v neočekávaných situacích.
- **Správně se oblékejte. Nenoste volný oděv nebo šperky. Udržujte svoje vlasy, oděv a rukavice mimo pohybující se části.** Volný oděv, šperky nebo dlouhé vlasy mohou být zachyceny do pohyblivých dílů.
- **Pokud jsou zařízení vybavena přípojkou pro odsávání prachu a sběrným zařízením, ujistěte se, že jsou správně připojeny k nástroji, a že se správně používají.** Použití odsavače prachu může snížit nebezpečí související s prachem.
- **Nenechte se ukořebat znalostmi získanými při častém používání nástrojů a neignorujte bezpečnostní pravidla.** Nedbalá činnost může způsobit poranění ze zlomku sekundy.





POUŽITÍ A PÉČE O NÁSTROJ

- **Nepoužívejte nadměrnou sílu na nástroj. Nářadí vybírejte podle povahy práce, kterou chcete provádět.** Správný elektricky poháněný nástroj bude svou práci provádět lépe a bezpečněji při práci, pro kterou byl navržen.
- **Elektricky poháněný nástroj nepoužívejte, pokud spínač nezapíná a nevypíná.** Každý elektricky poháněný nástroj, který nemůže být ovládán spínačem, je nebezpečný a musí být opraven.
- **Odpojte zástrčku od zdroje napájení a/nebo bateriový modul dříve, než provedete jakákoliv nastavení, výměnu příslušenství nebo než elektrický nástroj uložíte.** Také bezpečnostní preventivní opatření snižují riziko náhodného spuštění elektrického nástroje.
- **Ukládejte nečinný elektricky poháněný nástroj mimo dosah dětí a nenechávejte neznámé osoby pracovat s elektricky poháněným nástrojem nebo s těmito pokyny k obsluze elektrického nástroje.** Elektricky poháněné nástroje jsou nebezpečné v rukou nekvalifikovaných uživatelů.
- **Udržujte elektrické nástroje. Kontrolujte vychýlení nebo zasekávání pohyblivých dílů, rozbité části a každé jiné podmínky, které mohou ovlivnit funkci elektricky poháněných nástrojů. Zjistí-li se poškození, musí se elektricky poháněný nástroj před použitím opravit.** Mnoho úrazů je způsobeno nedostatečně udržovanými elektricky poháněnými nástroji.
- **Udržujte řezné nástroje ostré a čisté.** Řádně udržované řezné nástroje s ostrými řeznými hranami mají nízkou pravděpodobnost zaseknutí a jsou snadněji ovladatelné.
- **Poháněné nástroje, příslušenství a vrtáky, atd. používejte v souladu s těmito pokyny s ohledem k pracovním podmínkám a práci, která má být provedena.** Použití elektricky poháněného nástroje pro práce jiné, než zamýšlené by mohlo mít za následek nebezpečnou situaci.
- **Udržujte rukojeti a úchopové oblasti suché, čisté a bez mastnot a oleje.** Kluzké rukojeti a úchopové plochy neumožňují bezpečnou manipulaci a kontrolu nad nástrojem v neočekávaných situacích.

POUŽITÍ A PÉČE O NÁSTROJ NA BATERIE

- **Dobíjejte pouze nabíječkou určenou výrobcem.** Nabíječka, která je vhodná pro jeden typ akumulátoru může způsobit nebezpečí požáru, pokud se používá s jiným bateriovým modulem.
- **Elektrický nástroj používejte pouze s přesně určeným bateriovým modulem.** Použití jakéhokoliv jiného akumulátoru může způsobit nebezpečí poranění a požáru.
- **Pokud akumulátor nepoužíváte, uchovávejte jej mimo kovové předměty jako svorky pro papír, mince, klíče, hřebíky, šrouby nebo jiné malé kovové předměty, které mohou vytvořit propojení jednoho vývodu s druhým.** Zkratování vývodů baterie může způsobit požár nebo popáleníny.

- **Za nevhodných podmínek může z baterie vytékat kapalina; zabraňte kontaktu.** Pokud dojde k náhodnému kontaktu, omyjte vodou. Pokud kapalina přijde do kontaktu s očima, vyhledejte lékařskou pomoc. Kapalina vytečená z baterie způsobit podráždění nebo popáleníny.
- **Nepoužívejte baterie ani nástroj, který je poškozený nebo upravený.** Poškozené nebo upravené baterie se mohou chovat nepředvídatelně a důsledkem může být požár, výbuch nebo riziko zranění.
- **Nevystavujte baterii ani zařízení ohni nebo příliš vysoké teplotě.** Vystavení ohni nebo teplotám nad 130 °C může způsobit výbuch.
- **Postupujte podle všech pokynů k nabíjení a nenabíjejte baterie nebo nástroj mimo teplotní rozsah uvedený v pokynech.** Nesprávné nabíjení nebo při teplotách mimo uvedený rozsah může poškodit baterii a zvýšit riziko požáru.

ÚDRŽBA

- **Váš elektricky poháněný nástroj smí opravovat pouze kvalifikovaný opravárenský pracovník a musí používat pouze shodné náhradní díly.** Toto zajišťuje udržování bezpečnosti elektricky poháněného nástroje.
- **Nikdy neopravujte poškozené baterie.** Baterie by měl opravovat pouze výrobce nebo autorizovaný servis.

BEZPEČNOSTNÍ UPOZORNĚNÍ K AKUMULÁTOROVÉ VYVĚTVOVACÍ PÍLY

- **Držte elektricky poháněný nástroj za izolované úchopové plochy, když nástroj používáte s vrtacím příslušenstvím, které může přijít do styku se skrytými vodiči.** Kontakt s „živým“ vodičem způsobí, že kovové části elektricky poháněného nástroje se stanou také „živými“ a způsobí elektrický úraz obsluze.
- **Používejte svorky nebo jiné pomůcky pro zabezpečení a podporu obrobku ke stabilní platformě.** Držením obrobku vaší rukou nebo proti tělu vzniká nestabilita a může to vést ke ztrátě kontroly.
- **Udržujte ruce z dosahu pily.** Nesahejte pod obrobek. Styk ruky s pilovým listem může způsobit úraz.
- **Při montáži pilového listu používejte ochranné rukavice.** Dotýkáním se pilového listu vzniká nebezpečí úrazu.
- **Při výměně pilového listu nedržte pilu s jednou rukou na vypínači nebo spoušti či v jejich blízkosti.** Existuje riziko vzniku úrazu v důsledku neúmyslného spuštění pily.
- **Když měníte pilový kotouč, ujistěte se, že je držák pilového kotouče prostý zbytků materiálů, například kovových či dřevěných pilin.**
- **Během řezání držte pilu pevně jednou rukou za rukojeť.**
- **Během řezání se nedotýkejte háku, pilového listu ani větracích otvorů.**
- **Pilový list může mít po řezání vysokou teplotu.** Na pilový list sahejte až po jeho vychladnutí.
- **Při provozování produktu používejte zařízení na zachycení prachu nebo připojte vysavač.**
- **Informace o řezné délce.**





- Podle situace pokyny o způsobu seřizování různých poloh pilového listu.
- Bruska se při zastavení v důsledku přetížení automaticky restartuje. Pokud dojde k zastavení pily v důsledku přetížení, okamžitě ji vypněte. Pilu znovu nezapínejte dokud přetrvává příčina přetížení, jinak by mohlo dojít k silnému zpětnému rázu. Určete příčinu zastavení brusky a odstraňte tuto příčinu při dodržování bezpečnostních pokynů.
- Rozsah teplot okolí při používání nástroje (výrobku) je od 0°C do 40°C.
- Rozsah teplot okolí při skladování nástroje je od 0°C do 40°C.
- Rozsah doporučených teplot okolí při používání systému nabíjení akumulátoru je od 10°C do 38°C.

DOPLŇUJÍCÍ BEZPEČNOSTNÍ UPOZORNĚNÍ K BATERII

VAROVÁNÍ

Abyste zabránili nebezpečí požáru způsobeného zkratem, poraněním nebo poškozením výrobku, neponořujte nářadí, výměnnou baterii nebo nabíječku do kapalin a zajistěte, aby do zařízení a akumulátorů nevnikly žádné tekutiny. Korodující nebo vodivé kapaliny, jako je slaná voda, určité chemikálie a bělicí prostředky nebo výrobky, které obsahují bělidlo, mohou způsobit zkrat.

- Rozsah provozních teplot okolí akumulátoru je od 0°C do 40°C.
- Rozsah skladovacích teplot okolí akumulátoru je od 0°C do 20°C.
- Elektronický odpad před likvidací řádně roztřídte odebráním baterie ze zařízení. Likvidujte ve sběrných dvorech.
- Chcete-li vyjmout zabudovanou baterii, oddělte od sebe po odstranění šroubů části krytu. Odpojte baterii z obvodu a vytáhněte.
- **POZNÁMKA:** Po otevření nelze produkt již dále používat či opravovat a musí být řádně zlikvidován.
- Než baterii odeberete, vybijte ji spuštěním zařízení.
- Zajistěte, aby žádné baterie nepřišly do kontaktu s jinými bateriemi nebo vodivými materiály při transportu pomocí ochrany nekrytých kontaktů prostřednictvím izolace, nevodivých krytek či lepicích pásek.

TRANSPORT LITHIOVÝCH BATERÍ

Přenos baterií dle místních a národních opatření a předpisů.

Dodržujte všechny zvláštní požadavky na balení a značení při transportu baterií třetí stranou. Zajistěte, aby žádné baterie nepřišly do kontaktu s jinými bateriemi nebo vodivými materiály při transportu pomocí ochrany nekrytých kontaktů prostřednictvím izolace, nevodivých krytek či lepicích pásek. Nepřepravujte prasklé nebo baterie s unikajícím elektrolytem. Ptejte se u zásilkové společnosti na další radu.

ZBYTKOVÁ RIZIKA

Dokonce, i když se výrobek provozuje jak je předepsáno, je stále nemožné zcela eliminovat veškeré zbytkové rizikové faktory. Následující nebezpečí mohou nastat při používání; vyhýbejte se:

- Poranění způsobené vibracemi
 - Používejte co nejnížší rychlost, při které lze provádět řezání. Limit expozice. Přečtěte si v uživatelské příručce část Snížení rizika.
- Zranění způsobené prachem
 - Do očí a dýchacích cest mohou vniknout piliny. Vždy noste adekvátní ochranu zraku. Používejte vhodnou masku s protiprachovými filtry na ochranu dýchacích cest proti částicím z řezaného materiálu. V pracovní oblasti výrobku nejist, nepít, ani nekouřit. Zajistěte dostatečné větrání.
- úraz způsobený zásahelem elektrického proudu
 - Kotouč se může dotknout skrytého elektrického vedení, což může způsobit, že část výrobku se stane „živým“. Vždy držte produkt za určené rukojeti a dejte pozor při řezání naslepo do stěn a podlah, kde mohou být skryty kabely.
- zranění z kontaktu s nožem
 - Kotouče jsou velmi ostré a během používání se zahřívají. Při výměně kotouče noste ochranné rukavice. Udržujte vždy ruce v bezpečné vzdálenosti od řezného prostoru. Upínejte obrobek kdekoli je to možné.
- Zranění způsobené hlukem
 - Hluk může poškodit sluch. Při použití elektrického nářadí po delší dobu, používejte ochranu sluchu.

SNÍŽENÍ RIZIKA

Bylo zjištěno, že vibrace z ručních pracovních nástrojů mohou u některých osob přispívat ke stavu tzv. Raynaud's Syndrome (Raynaudovu syndromu). Mezi jeho příznaky patří brnění, necitlivost a zblednutí prstů, patrné obvykle po pobytu v chladu. Vědci se domnívají, že k rozvoji těchto příznaků přispívají dědičné faktory, pobyt v chladu a vlhku, strava, kouření a pracovní návyky. Uživatel může omezit případné působení vibrací použitím vhodných opatření:

- Za chladného počasí se teple oblečte. Při práci s výrobkem si navlékněte rukavice, abyste udrželi ruce a zápěstí v teple. Bylo zjištěno, že chladné počasí je hlavním faktorem přispívajícím k Raynaud's Syndrome (Raynaudovu syndromu).
- Během práce si v pravidelných intervalech zacvičte, abyste zvýšili krevní oběh.
- Zařazujte časté pracovní přestávky. Omezte dobu práce za den.

Jakmile pocítíte některý z výše uvedených příznaků tohoto syndromu, okamžitě přerušte práci a vyhledejte lékaře.

VAROVÁNÍ

Poranění mohou být způsobena, či zhoršena, prodlouženým používáním nástroje. Když používáte jakýkoliv nástroj delší dobu, dělejte pravidelné přestávky.



ÚDRŽBA

⚠ VAROVÁNÍ

Při nasazování příslušenství, čištění nebo seřizování brusky vždy brusku odpojte od elektrické sítě. Stejně musí být bruska odpojená od elektrické sítě, pokud brusku nepoužíváte. Odpojení nářadí od zdroje energie zabrání nechtěnému spuštění, které by mohlo způsobit vážné poranění.

⚠ VAROVÁNÍ

Při servisu používejte pouze originální náhradní díly, příslušenství a nástavce od výrobce. Použití jakýchkoliv jiných součástí může vytvořit nebezpečí nebo příčinu poškození výrobku.

- Vyhněte se používání rozpouštědel, když čistíte plastové díly. Mnoho plastů je citlivých na poškození různými typy komerčních rozpouštědel a mohou být jimi poškozeny. K odstranění nečistot, prachu apod. používejte čistý hadr.

⚠ VAROVÁNÍ

Nikdy nenechte přijít brzdové kapaliny, petrolej, výrobky založené na petroleji, pronikavé oleje, atd. do kontaktu s plastovými součástmi. Chemikálie mohou poškodit, oslabit nebo zničit plast, který může mít za následek vážná osobní poranění.

⚠ VAROVÁNÍ

Pro lepší bezpečnost a bezporuchovost by mělo opravy provádět pověřené autorizované servisní středisko.

POZNEJTE SVŮJ NÁSTROJ

Viz strana 123.

Součásti

1. Kotouč pily
2. Montážní svorka
3. Páčka svorky pilového listu
4. Tlačítko zámku spouště
5. Spoušť
6. Rukojeť
7. Bateriový konektor

SYMBOLY NA VÝROBKU



Bezpečnostní výstraha



Před používáním výrobku se obeznamte se všemi pokyny. Dbejte na všechna upozornění a dodržujte bezpečnostní pokyny.



Noste ochranu sluchu.



Noste ochranu očí



Navlékněte si pevné neklouzavé rukavice.



Noste masku.



Udržujte ruce mimo nože.



Nevystavujte dešti nebo nepoužívejte ve vlhkých podmínkách.



Zaručená hladina akustického výkonu 94 dB



Odpad elektrických výrobků se nesmí likvidovat v domovním odpadu. Recyklujte prosím na sběrných místech. Ptejte se u místních úřadů nebo prodejce na postup při recyklaci.



Toto nářadí je v souladu se všemi normami a předpisy platnými v zemi EU, ve které bylo zakoupeno.



Euroasijská značka shody



Ukrajinská značka shody

SYMBOLY V NÁVODU



Díly nebo příslušenství jsou v prodeji samostatně



Poznámka



Varování



Nebezpečí! Ostrá čepel



Rychlost, minimum



Rychlost, maximum



Následující signální slova a významy jsou vhodné pro vysvětlení úrovní nebezpečí spojených s tímto výrobkem.

 **NEBEZPEČÍ**

Označuje bezprostředně rizikovou situaci, které je třeba předejít, jinak bude jejím následkem smrt nebo vážné zranění.

 **VAROVÁNÍ**

Označuje možnou rizikovou situaci, které je třeba předejít, jinak jejím následkem může být smrt nebo vážné zranění.

 **VAROVÁNÍ**

Označuje možnou rizikovou situaci, které je třeba předejít, jinak jejím následkem může být smrt nebo vážné zranění.

VAROVÁNÍ

(Bez bezpečnostního výstražného symbolu) Určuje situaci, která může mít za následek vážné poškození.





Az akkumulátoros ágfűrész tervezése során elsődleges szempont volt a biztonság, a teljesítmény és a megbízhatóság.

RENDELTESSZERŰ HASZNÁLAT

Az akkumulátoros ágfűrész kizárólag olyan felnőttek használhatják, akik elolvasták és megértették a jelen kézikönyv utasításait és figyelmeztetéseit, és tetteikért felelősséget tudnak vállalni.

A termék csak kültéri, jól szellőztetett területen való használatra készült.

A termék 80 mm-nél kisebb vagy azzal megegyező átmérőjű kis ágak és gallyak vágására és metszésére szolgál.

A terméket kézi használatra tervezték. A terméket nem szabad munkapadra rögzíteni, kivéve, ha ennek módjáról a gyártó konkrét útmutatást ad.

Semmilyen más célra ne használja.

ÁLTALÁNOS BIZTONSÁGI FIGYELMEZTETÉSEK AZ ELEKTROMOS SZERSZÁMGÉPRE VONATKOZÓAN

⚠ FIGYELMEZTETÉS

Olvassa el, illetve tekintse meg a termékhez biztosított minden biztonsági figyelmeztetést, illusztrációt és műszaki leírást. Az alább részletezett előírások be nem tartása olyan baleseteket okozhat, mint pl. tűz, áramütés és/vagy súlyos személyi sérülések.

Őrizze meg ezeket a figyelmeztetéseket és utasításokat a későbbi tájékozódásra is.

A figyelmeztetéseken a „szerszámgép” kifejezés az elektromos hálózatról (kábelrel) működtetett vagy akkumulátorról (kábel nélkül) működtetett gépet jelenti.

MUNKATERÜLET

- **A munkaterületet tartsa tisztán és jól megvilágítva.** A rendetlen vagy sötét munkaterületek balesetekhez vezethetnek.
- **Az elektromos szerszámgépeket ne működtesse robbanásveszélyes környezetben, mint például robbanásveszélyes folyadékok, gázok vagy porok jelenlétében.** Az elektromos gépekben szikrák keletkeznek, amik begyűjthetik a port vagy a gőzöket.
- **Az elektromos szerszámgép használatakor a gyerekeket és a kívülállókat tartsa távol.** A figyelem elterelődése az irányítás elvesztését okozhatja.

ELEKTROMOS BIZTONSÁG

- **A szerszámgép dugaszának illeszkednie kell az aljzathoz.** Semmilyen módon ne módosítsa a dugaszt. A földelt elektromos gépekhez ne használjon adapter dugaszt. A nem módosított és illeszkedő dugasz csökkenti az áramütés kockázatát.
- **Kerülje az érintkezést földelt felületekkel, mint például csövekkel, radiátorokkal és hűtőkkel.** Megnöveli az áramütés kockázatát, ha a teste földeltté válik.

- **Ne tegye ki a terméket esőnek vagy nedves környezet hatásának.** A szerszámgépekbe kerülő víz növeli az áramütés kockázatát.
- **Ne rongálja meg a kábelt. A szerszámgép kábelét soha ne használja a szerszám hordozására, húzására vagy kihúzására. A kábelt hőtől, olajtól, éles tárgyaktól vagy mozgó alkatrészekről tartsa távol.** A sérült vagy beakadt kábelek növelik az áramütés kockázatát.
- **Szerszámgépnek a szabadban való működtetésekor kültéri használatra is megfelelő hosszabbító kábelt használjon.** Kültéri használatra megfelelő hosszabbító kábel csökkenti az áramütés kockázatát.
- **Ha a szerszámgép használata nedves környezetben elkerülhetetlen, használjon áram-védőkacsolat (RCD).** Az RCD használata csökkenti az áramütés kockázatát.

SZEMÉLYI BIZTONSÁG

- **Elektromos szerszámgép működtetésekor legyen mindig éber, figyeljen arra, amit csinál, és használja a józan esztét.** Ne használja a szerszámgépet, ha fáradt vagy alkohol, gyógyszer illetve más tudatmódosító szerek hatása alatt áll. A gép használata közben már egyetlen figyelmen kívül hagyott pillanat is súlyos személyi sérüléshez vezethet.
- **Használjon személyi védelmi eszközöket. Mindig viseljen védőszemüveget.** Az adott feltételekhez használt védőfelszerelés, például porvédő maszk, csúszásmentes biztonsági cipő, védősisak vagy hallásvédő, csökkenti a személyi sérüléseket.
- **Kerülje el a véletlen bekapcsolást. A szerszám szállítása vagy felemelése, az áramellátás és/vagy akkumulátor csatlakoztatása előtt ellenőrizze, hogy a kapcsoló kikapcsolt állásban van.** Szerszámgépek szállítása a kapcsolón tartott ujjal vagy bekapcsolt szerszámgépek áram alá helyezése balesetekhez vezet.
- **A szerszámgépről bekapcsolás előtt távolítson el minden beállító kulcsot és csavarkulcsot.** Egy a szerszámgép forgó alkatrészein maradt beállító kulcs vagy csavarkulcs személyi sérülést eredményezhet.
- **Ne hajoljon ki túlságosan. Mindig tartson megfelelő testtartást és egyensúlyt.** Ez a szerszámgép jobb irányítását teszi lehetővé váratlan szituációkban.
- **Viseljen megfelelő ruházatot. Ne vegyen fel laza ruhát vagy ékszereket. Keep your hair and clothing away from moving parts.** A laza ruházat, ékszerek vagy a hosszú haj beakadhatnak a mozgó alkatrészekbe.
- **Ha a gép el van látva porkivezető vagy -gyűjtő berendezésekhez való csatlakozási lehetőséggel, akkor ügyeljen rá, hogy ezeket csatlakoztassák és megfelelően használják.** A porfogó használat csökkenti a porral kapcsolatos veszélyeket.
- **Ne töltsse el elégedettséggel az, hogy a gyakori eszközhasználatból kellő jártasságot szerzett, és ne hagyja figyelmen kívül az eszköz biztonsági alapelveit.** Egy figyelmen kívül hagyott másodperc törtrésze alatt súlyos sérüléseket okozhat.





ASZERSZÁMGÉP HASZNÁLATA ÉS KARBANTARTÁSA

- **Ne erőltesse a terméket. A feladathoz a megfelelő szerszámgépet használja.** A megfelelő szerszámgép jobb teljesítménnyel és sokkal biztonságosabban fog dolgozni olyan körülmények között, amelyekre azt tervezték.
- **Ne használja a szerszámgépet, ha a kapcsoló nem kapcsol be és ki.** Bármilyen szerszámgép veszélyes, amit a kapcsolóval nem lehet irányítani, ezért azt meg kell javítani.
- **Bármilyen beállítás, tartozékcseré elvégzése vagy a szerszámgép tárolása előtt húzza ki a szerszámgépet a hálózatról és/vagy vegye ki az akkumulátort a szerszámgépéből.** Az ilyen megelőző biztonsági óvintézkedések csökkentik a szerszámgép véletlen bekapcsolódásának kockázatát.
- **A használaton kívüli gépet gyerekek számára nem elérhető helyen tárolja, és ne hagyja, hogy a szerszámgépet vagy a kézikönyvet nem ismerő személyek használják a szerszámgépet.** Gyakorlatlan felhasználók kezében a szerszámgépek veszélyesek.
- **Maintain power tools and accessories.** Ellenőrizze a mozgó alkatrészek akadását vagy helytelen beállítását, az alkatrészek törését és minden más körülményt, ami hatással lehet a szerszámgép működésére. Ha sérült, a szerszámgépet használat előtt meg kell javítani. Sok balesetet a rosszul karbantartott szerszámgépek okoznak.
- **A vágószerszámok legyenek élesek és tiszták.** A megfelelően karbantartott, éles vágóélű vágószerszámok kevésbé akadnak be és könnyebben irányíthatók.
- **A szerszámgépet, a tartozékokat és a biteket stb. ezen utasításban leírtaknak megfelelően használja, figyelembe véve a munkakörülményeket és az elvégzendő feladatot.** A szerszámgép rendeltetésétől eltérő műveletekre való használata veszélyes helyzeteket eredményezhet.
- **A fogantyúkat és a fogófelületeket tartsa szárazon, tisztán, olajtól és kenőzsírtól mentesen.** A csúszós fogantyúk és fogófelületek nem teszik lehetővé a gép kezelését és irányítását egy váratlan helyzetben.

AKKUMULÁTOROS SZERSZÁMGÉP HASZNÁLATA ÉS KARBANTARTÁSA

- **Csak a gyártó által megadott töltővel töltsze az akkumulátorokat.** Egy adott akkumulátortípushoz való töltő egy másik típusú akkumulátorral való használata tűzveszélyes lehet.
- **A szerszámokat csak a hozzájuk való akkumulátorokkal üzemeltesse.** Más akkumulátorok használata tűzveszélyes lehet, és sérüléseket okozhat.
- **Az akkumulátort használaton kívül tartsa távol más fém tárgyaktól, úgymint gemkapcsoktól, érméktől, kulcsoktól, szögektől, csavaroktól vagy más kisméretű fém tárgyaktól, amelyek rövidre zárhatják a két érintkezőt.** Az akkumulátor érintkezőinek rövidre zárása tüzet vagy égéseket okozhat.
- **Nem megfelelő körülmények esetén folyadék**

távozhat az akkumulátorból, kerülje az azzal való érintkezést. Ha mégis érintkezik vele, öblítse le vízzel. Ha a folyadék szembe kerül, forduljon orvoshoz. Az akkumulátorból kifolyt folyadék irritációt vagy égéseket okozhat.

- **Ne használjon sérült vagy átalakított akkucsomagot vagy eszközt.** A sérült vagy átalakított akkumulátor előre nem látható módon üzemelhet, ami tüzet, robbanást, más kockázatot vagy sérülést okozhat.
- **Ne tegye ki az akkucsomagot vagy az eszközt túl magas hőmérsékleti hatásnak és ne tegye tűzbe ezeket.** A tűznek vagy a 130 °C feletti hőmérsékletnek való kitettség robbanást okozhat.
- **Tartsa be az összes feltöltési utasítást és ne töltsze az akkucsomagot vagy az eszközt az utasításban megadott hőmérséklet-tartományon kívül.** A helytelen töltés vagy a megadott tartományon kívüli hőmérsékleten való feltöltés az akkumulátort károsíthatja, és a tűzveszély kockázatát növelheti.

KARBANTARTÁS

- **A szerszámgépet csak szakképzett szervizszakemberrel szervizeltesse, csak azonos cserealkatrészeket használva.** Ez biztosítja, hogy a szerszámgép használata továbbra is biztonságos legyen.
- **Soha ne javítson sérült akkucsomagokat.** Az akkucsomagok javítását csak a gyártó vagy a hivatalos szervizek végezhetik.

BIZTONSÁGI FIGYELMEZTETÉSEK AZ AKKUMULÁTOROS ÁGFŰRÉSZRE VONATKOZÓAN

- A szerszámgépet a szigetelt felületén fogja, ha olyan műveletet végez vele, melynek során rejtett, feszültség alatt lévő vezeték is elvághat. A feszültség alatt lévő vezetékkel történő érintkezés során a szerszám fém alkatrészei áram alá kerülhetnek, minek következtében a kezelőt áramütés érheti.
- A munkadarabot szorítókkal vagy más módon rögzítse egy megfelelő megtámasztást is biztosító stabil felületen. Ha a munkadarabot a kezébe fogja, vagy a testének támasztja, az instabil marad és a gép irányíthatatlanná válásához vezethet.
- Tartsa távol a kezét a fűrészről. Ne nyúljon a munkadarab alá. A fűrész megérintése sérülést okozhat.
- Viseljen védőkesztyűt a fűrészlap felszerelése során. A fűrészlap megérintése balesetveszélyes.
- A fűrészlap cseréje során ne fogja a terméket egy kézzel, illetve a főkapcsoló vagy az indítókapcsoló közelében. Ha a főkapcsolót véletlenül megnyomja, sérülés történhet.
- A fűrészlap cseréjekor ügyeljen arra, hogy a fűrészlaptartón ne legyen semmilyen hulladék, pl. fa vagy fémforgács.
- Fűrészelés közben tartsa a terméket határozottan egy kézzel a fogantyúnál fogva.
- Fűrészelés közben ne érintse meg a kampót, a fűrészlapot és a szellőzőnyílásokat.





- Fűrészelés után a fűrészlap forró lehet. Hagyja a fűrészlapot lehűlni, mielőtt hozzányúlna.
- Használja a porgyűjtő berendezést vagy csatlakoztasson egy porszívó berendezést a termék használatakor.
- Tájékoztató a vágási teljesítménnyel kapcsolatban.
- A szerszám fűrészlapjának különböző helyzetbe állítására vonatkozó utasítások (ha ilyen lehetséges).
- A termék automatikusan újraindul, ha leáll. Leállás esetén azonnal kapcsolja ki a terméket. Ne kapcsolja be a terméket újra, amíg leállt állapotban van, mert az nagy reaktív erővel hirtelen visszalökést válthat ki. Határozza meg, miért állt le a termék, igazítsa ki, tekintettel a biztonsági utasításokra.
- Az eszköz (termék) környezeti hőmérséklet-tartománya a működés során :0°C - 40°C.
- Az eszköz környezeti hőmérséklet-tartománya a tárolás során: 0°C - 40°C.
- A töltőrendszer ajánlott környezeti hőmérséklet-tartománya töltés során: 10°C - 38°C.

AZ AKKUMULÁTOR KIEGÉSZÍTŐ BIZTONSÁGI FIGYELMEZTÉSEI

FIGYELMEZTETÉS

A rövidzárlat általi tűz, sérülések vagy termékkárosodások veszélye elkerülésére ne merítse a szerszámot, a cserélhető akkut vagy a töltőkészüléket folyadékokba, és gondoskodjon arról, hogy ne hatoljanak folyadékok a készülékekbe és az akkuba. A korrozív hatású vagy vezetőképessé folyadékok, mint pl. a sós víz, bizonyos vegyi anyagok, fehérítők vagy fehérítő tartalmú termékek, rövidzárlatot okozhatnak.

- Az akkumulátor környezeti hőmérséklet-tartománya a használat során: 0°C - 40°C.
- Az akkumulátor környezeti hőmérséklet-tartománya a tárolás során: 0°C - 20°C.
- Az akkumulátoroknak az egysegtől való elkülönítésével válogassa szét az elektronikus hulladékot. Adja le azokat az erre szolgáló gyűjtőpontokon.
- A beépített akkumulátorcsomag eltávolításához válassza el egymástól a burkolati elemeket a csavarokat leszerelve. Válassza le az akkumulátort az áramkörből, és vegye ki a gépből.
- **MEGJEGYZÉS:** A burkolat felnyitása után a termék többé nem használható és nem szervizelhető, azt az előírt módon ártalmatlanítani kell.
- Az akkumulátor szerszámgépből való eltávolítása előtt a gép beindításával merítse le az akkumulátort.
- Ügyeljen arra, hogy a leselejtezendő akkumulátor ne érhesen más akkumulátorokhoz vagy vezető anyagokhoz; ehhez a szabadon maradt csatlakozókat védje szigetelő fedéllel vagy szalaggal.

LÍTIUM AKKUMULÁTOROK SZÁLLÍTÁSA

Az akkumulátorokat a helyi és nemzeti előírásokkal és szabályokkal összhangban szállítsa.

Az akkumulátorok külső fél általi szállításakor kövesse a csomagolásra és a címkézésre vonatkozó speciális előírásokat. Ügyeljen arra, hogy az akkumulátorok ne érhesenek más akkumulátorokhoz vagy vezető anyagokhoz szállítás közben; ehhez a szabadon maradt csatlakozókat védje szigetelő fedéllel vagy szalaggal. Ne szállítson repedt vagy szivárgó akkumulátorokat. További információért vegye fel a kapcsolatot a továbbítást végző céggel.

FENNMARADÓ KOCKÁZAT

Még a termék rendeltetésszerű használata esetén sem lehet teljesen kiküszöbölni minden kockázati tényezőt. A gép használata során a következő veszélyek merülhetnek fel, és a kezelőnek különösen oda kell figyelnie az alábbiak elkerülésére:

- A vibráció sérüléseket okozhat
 - A vágáshoz szükséges legalacsonyabb fordulatszámot használja. Korlátozza a kitettséget. Lásd a "Kockázatcsökkentés" részt ebben a használati utasításban.
- Por okozta sérülések
 - Por kerülhet a szemébe vagy a légzőrendszerébe. Mindig viseljen szemvédőt. Viseljen megfelelő, a vágott anyagból származó szemcsék ellen védő szűrővel ellátott porvédő maszkot. Ne egyen, igyon vagy dohányozzon a munkaterületen. Biztosítson megfelelő szellőzést.
- elektromos áramütés miatt bekövetkező sérülés
 - A vágóeszköz rejtett vezetőekhez érhet, ami miatt a termék feszültség alá kerülhet. A terméket mindig a fogantyújánál fogja, és legyen óvatos falakba és padlóba végzett bevágásokkor, ha ott rejtett kábelek lehetnek.
- kések érintése okozta sérülés
 - A fűrészlapok nagyon élesek, és a használat közben felforrosodnak. A fűrészlapok cseréjekor viseljen kesztyűt. A kezeit mindig tartsa távol a vágási területtől. Amikor lehetséges, szorítókkal rögzítse a munkadarabot.
- Zaj okozta sérülések
 - A zaj károsíthatja a hallását. Amikor hosszabb ideig használ szerszámgépeket, viseljen fülvédőt.

KOCKÁZATCSÖKKENTÉS

Arról számoltak be, hogy a kéziszerszámok használata során fellépő vibráció bizonyos személyeknél hozzájárulhat az úgynevezett Raynaud-szindróma (Raynaud's Syndrome) nevű állapot kialakulásához. A tünetei lehetnek: az ujjak zsibbadása, elfehéredése, szúrások érzése, amelyek hidegnek kitéve gyakran felerősödnek. Az örökítő tényezők, a hidegnek kitettség és verejtékezés, a diéta, a dohányzás és munka közben alkalmazott fogások valószínűleg mind hozzájárulhatnak ezen tünetek megjelenéséhez. A vibráció hatásainak csökkentése érdekében a kezelőnek be kell tartani az alábbi óvintézkedéseket:

- Hideg időben tartsa melegen a testét. A termék használatakor viseljen kesztyűt a kéz és a csukló melegen tartásához. Arról számoltak be, hogy a hideg



időjárásnak fontos szerepe van a Raynaud-szindróma kialakulásában.

- Bizonyos időtartamú használat után mindig végezzen gyakorlatokat a vérkeringés javításához.
- Gyakran tartson munkaszünetet. Korlátozza a napi munkaidőt.

Ha ezen állapot bármelyik tünetét tapasztalja, azonnal hagyja abba a munkát, és tájékoztassa az orvosát a tünetekről.

FIGYELMEZTETÉS

Hosszabb használat sérülést okozhat. Ha a gépet hosszú időn át kell használnia, tartson gyakran szünetet.

KARBANTARTÁS

FIGYELMEZTETÉS

Soha ne tartsa a csiszológépet hálózatra csatlakoztatott állapotban a tartozékok felszerelése, beállítások, tisztítások alkalmával, ill. ha nem használja a gépet. Ha a terméket leválasztja az áramellátásról, megakadályozza a véletlen elindítást, ami komoly sérülést okozhat.

FIGYELMEZTETÉS

Javításhoz csak eredeti pótalkatrészeket, tartozékokat és kiegészítőket használjon. Bármilyen más alkatrész használata veszélyt vagy a termék károsodását okozhatja.

- A műanyag részek tisztításakor tartózkodjon a tisztítószerek használatától. A legtöbb műanyag érzékeny a különböző típusú kereskedelmi oldószerekre és azok használata esetén károsodhat. A por és egyéb szennyeződések stb. tisztítására használjon egy tiszta ruhadarabot.

FIGYELMEZTETÉS

A műanyag részek semmilyen körülmények között nem érintkezhetnek fékolajjal, benzinnel, petróleum alapú termékekkel, beszívódó olajokkal stb. A vegyszerek károsíthatják, gyengíthetik vagy tönkreteszhetik a műanyagot, ami súlyos személyi sérülést eredményezhet.

FIGYELMEZTETÉS

A nagyobb biztonság és megbízhatóság érdekében minden javítást hivatalos szervizközpontban kell elvégeztetni.

ISMERJE MEG A TERMÉKET

Lásd 123. oldal.

Részegységek

1. Fűrész tárcsa
2. Rögzítőheveder
3. Fűrészlap hevederének karja
4. Kioldó reteszelő gombja
5. Kioldó
6. Fogantyú
7. Akkumulátor-csatlakozó

SZIMBÓLUMOK A TERMÉKEN



Biztonsági figyelmeztetés



A termék használata előtt olvasson el és értsen meg minden utasítást. Tartsa be az összes figyelmeztetést és biztonsági utasítást.



Viseljen fülvédőt.



Viseljen védőszemüveget



Viseljen nem csúszós, nehéz igénybevételre tervezett kesztyűt.



Viseljen maszkot.



Tartsa a kezét távol a késektől.



Ne tegye ki esőnek, és ne használja nedves környezetben.



Garantált hangteljesítményszint 94 dB



A kiselejtezett elektromos termékeket nem szabad a háztartási hulladékkal együtt kidobni. Ezeket újra kell hasznosítani, ha van rá lehetőség. Az újrahasznosítással kapcsolatban érdeklődjön a helyi önkormányzatnál vagy a termék forgalmazójánál.



Ez a szerszám minden, a vásárlás európai uniós országában hatályos szabványnak megfelel.



Eurázsiai megfelelési jelzés



Ukrainai megfelelési nyilatkozat

A KÉZIKÖNYVBEN HASZNÁLT SZIMBÓLUMOK



Külön értékesített alkatrészek és kiegészítők



Megjegyzés



Figyelem



Veszély! Éles fűrészlap



Fordulatszám, minimális



Fordulatszám, maximális

A következő jelölőszavak és jelölések arra szolgálnak, hogy megmagyarázzák a termékkel kapcsolatos veszélyességi szinteket:

VESZÉLY

Egy bekövetkező veszélyes helyzetet jelez, ami, ha nem előzik meg, halált vagy komoly sérülést eredményez.

FIGYELMEZTETÉS

Egy potenciálisan bekövetkező veszélyes helyzetet jelez, amit, ha nem előznek meg, halált vagy komoly sérülést eredményezhet.

FIGYELEMFELHÍVÁS

Egy potenciálisan veszélyes helyzetet jelez, ha nem előzik meg, kisebb vagy mérsékelt sérülést eredményezhet.

FIGYELEMFELHÍVÁS

(Biztonsági figyelmeztető szimbólum nélkül) Egy olyan helyzetet jelez, ami anyagi kárt eredményezhet.



Siguranța, performanța și fiabilitatea au constituit principalele noastre preocupări la proiectarea firizului dvs. pentru crengi, fără fir.

UTILIZARE PREVĂZUTĂ

Firizul pentru crengi a fost gândit pentru utilizarea de către persoanele adulte care au citit și au înțeles instrucțiunile și avertismentele din acest manual și care pot fi considerate responsabile pentru propriile acțiuni.

Produsul este proiectat să fie folosit doar în mediu exterior și în zonă bine aerisită.

Produsul este destinat pentru tăierea și curățarea de mici ramuri și crenguțe cu un diametru mai mic sau egal cu 80 mm.

Produsul este conceput pentru a fi ținut în mână. Produsul nu trebuie montat pe un banc de lucru decât dacă s-au primit din partea producătorului acestuia instrucțiuni specifice despre cum acest lucru poate fi realizat.

Nu folosiți în alte scopuri.

AVERTISMENTE GENERAL DE SIGURANȚĂ PRIVIND UNEALTA ELECTRICĂ

⚠ AVERTISMENT

Citiți toate instrucțiunile privind avertizările de siguranță, ilustrațiile și specificațiile furnizate împreună cu acest produs. Nerespectarea instrucțiunilor prezentate în continuare poate provoca accidente cum ar fi incendii, electrocutare și/sau vătămări corporale grave.

Păstrați aceste avertismente și instrucțiuni, pentru a le putea consulta ulterior.

Termenul de "unealtă electrică" folosit în avertismente se referă la uneltele electrice alimentate de la rețea (cu cablu) sau cu acumulator (fără cablu).

MEDIUL DE LUCRU

- **Mențineți curată și bine iluminată zona de lucru.** Zonele dezordonate și întunecate prezintă pericol de accidente.
- **Nu operați cu unealta electrică în atmosfere explozive, precum în prezența lichidelor, gazelor sau a prafului inflamabil(e).** Uneltele electrice creează scântei care pot aprinde praful sau vaporii.
- **Țineți copiii și persoanele din jur la distanță în timpul operării unei unelte electrice.** Distragerea atenției vă poate face să pierdeți controlul.

SIGURANȚĂ ELECTRICĂ

- **Ștecărele uneltelor electrice trebuie să se potrivească cu priza. Nu modificați niciodată ștecărul în nici un fel. Nu folosiți niciodată adaptoare de ștecăr cu uneltele electrice cu împământare.** Ștecărele nemodificate și prizele potrivite reduc riscul de electrocutare.
- **Evitați contactul corpului cu suprafețele conectate la împământare, precum țevi, radiatoare, reșouri, mașini de gătit și frigider.** Există un risc crescut de

electrocutare când corpul dumneavoastră are contact cu împământarea.

- **Nu expuneți produsul la ploaie sau condiții de umiditate.** Apa care intră într-o unealtă electrică va crește riscul de electrocutare.
- **Nu forțați cablul. Nu trageți niciodată unealta electrică de cablul de alimentare pentru a o transporta, a o trage sau a scoate ștecărul din priză. Țineți cablul de alimentare departe de căldură, ulei, muchii ascuțite sau piese în mișcare.** Cablurile deteriorate sau încurcate cresc riscul de electrocutare.
- **Atunci când lucrați cu o unealtă electrică în aer liber, folosiți un prelungitor adecvat pentru utilizarea în aer liber.** Folosirea unui prelungitor adecvat pentru utilizarea în aer liber reduce riscul de electrocutare.
- **În cazul în care operarea unei unelte electrice într-o zonă umedă nu poate fi evitată, folosiți o alimentare protejată cu un dispozitiv de curent rezidual (RCD).** Utilizarea unui RCD reduce riscul de electrocutare.

SIGURANȚĂ PERSONALĂ

- **Fiți vigilenți, fiți atenți la ceea ce faceți, acționați cu simț practic când operați o unealtă electrică. Nu folosiți unealta electrică în timp ce sunteți obosit sau sub influența drogurilor, a alcoolului sau a medicamentelor.** Un moment de neatenție în timpul operării uneltelor electrice poate cauza vătămare personală gravă.
- **Utilizați echipament personal de protecție. Purtați întotdeauna ochelari de protecție.** Utilizarea echipamentelor de protecție, cum ar fi măști pentru praf, pantofi anti-derapați, cască de protecție sau protecții pentru auz, conform condițiilor specifice de lucru ajută la evitarea pericolelor de răniri personale.
- **Împiedică pornirea accidentală. Asigurați-vă că comutatorul este în poziția oprit înainte deconectarea sursa de alimentare și / sau la acumulator, ridicarea sau transportul uneltei.** Transportarea uneltelor electrice cu degetul pe comutator sau punerea sub tensiune a uneltelor electrice care au comutatorul în poziția pornit predisune la accidente.
- **Îndepărtați orice cheie de reglare înainte de a porni uneltele.** O cheie sau rămasă atașată de o piesă rotativă a uneltei electrice poate cauza vătămări corporale.
- **Nu vă aplecați excesiv. În timpul operării dispozitivului, păstrați-vă în permanență echilibrul și stabilitatea.** Acest lucru permite un mai bun control al uneltei electrice în situații neașteptate.
- **Îmbrăcați-vă corespunzător. Nu purtați haine largi sau bijuterii. Keep your hair and clothing away from moving parts.** Hainele largi, bijuteriile sau părul lung pot fi prinse de piesele aflate în mișcare.
- **Dacă sunt prevăzute dispozitive pentru conectarea facilităților de extracție și de colectare a prafului, asigurați-vă că acestea sunt conectate și folosite corect.** Utilizarea colectării prafului poate reduce riscurile legate de praf.
- **Obișnuința dobândită prin utilizarea frecventă a instrumentelor nu trebuie să vă facă impasibili și să**





ignorați principiile de siguranță privind instrumentele. O acțiune neatență poate cauza vătămarea gravă într-o fracțiune de secundă.

FOLOSIREA ȘI ÎNTREȚINEREA UNELTEI ELECTRICE

- **Nu forțați produsul. Folosiți unealta electrică corectă pentru aplicație.** Unealta electrică corectă va funcționa mai bine și mai sigur la viteza pentru care a fost proiectată.
- **Nu folosiți unealta electrică dacă comutatorul nu o poate porni și opri.** Orice unealtă electrică, care nu poate fi controlată cu comutatorul este periculoasă și trebuie reparată.
- **Deconectați ștecărul de la sursa de alimentare și / sau acumulatorul de la unealta electrică înainte de a efectua orice reglaje, a schimba accesoriu sau de a stoca unelte electrice.** Astfel de măsuri preventive de siguranță reduc riscul de pomire accidentală a unelei electrice.
- **Nu lăsați uneltele electrice la îndemâna copiilor și nu permiteți persoanelor nefamiliarizate cu unealta electrică sau cu aceste instrucțiuni să folosească unealta.** Uneltele electrice sunt periculoase în mâinile utilizatorilor neinstruiți.
- **Întrețineți uneltele electrice. Verificați alinierea sau lipirea pieselor în mișcare, spargerea pieselor, precum și orice altă stare care poate afecta funcționarea unelei electrice. Dacă este deteriorată, solicitați repararea unelei înainte de utilizare.** Multe accidente sunt cauzate de unelte electrice întreținute necorespunzător.
- **Păstrați uneltele de tăiere ascuțite și curate.** Uneltele de tăiere corect întreținute, cu muchii de tăiere ascuțite au o probabilitate mai redusă de lipire și sunt mai ușor de controlat.
- **Folosiți unealta electrică, accesoriile și burghiile etc. în conformitate cu aceste instrucțiuni, ținând cont de condițiile de lucru și de lucrarea care urmează să fie efectuată.** Utilizarea unelei electrice pentru alte operații decât cele preconizate poate duce la situații periculoase.
- **Țineți mânerul și suprafețele de apucare uscate, curate, fără ulei sau grăsime.** Mănerul alunecoase și suprafețele neregulate nu permit o manipulare sigură și un control al aparatului în situații neașteptate.

FOLOSIREA ȘI ÎNTREȚINEREA MAȘINII CU ACUMULATOR

- **Reîncărcați numai cu încărcătorul specificat de producător.** Un încărcător destinat unui anumit tip de acumulator este folosit la încărcarea altor acumulatori există pericolul de incendii.
- **Folosiți uneltele electrice numai cu acumulatorii indicați.** Utilizarea oricărui altă acumulatori poate crea un risc de vătămare și de incendiu.
- **Atunci când acumulatorul nu este în uz, păstrați-l departe de alte obiecte metalice, cum ar fi agrafe de birou, monede, chei, cuie, șuruburi sau alte obiecte metalice mici, care pot face o conexiune de la o bornă la alta.** Scurtcircuitarea bornelor bateriei poate provoca arsuri sau incendii.

- **Ca urmare a folosirii necorespunzătoare, din acumulator se poate scurge lichid; evitați contactul cu acesta. În cazul unui contact accidental, spălați cu apă. În cazul contactului cu ochii, consultați suplimentar un medicul.** Lichidul care iese din acumulator poate provoca iritații sau arsuri.
- **Nu utilizați acumulatorii sau unelte deteriorate sau modificate.** Acumulatorii deteriorați sau modificați au un comportament imprevizibil și prezintă pericol de incendiu, explozie sau accidentare.
- **Nu expuneți acumulatorul sau unealta la foc sau temperaturi excesive.** Expunerea la foc sau temperaturi de peste 130°C prezintă pericol de explozie.
- **Respectați toate instrucțiunile de încărcare și nu încărcați acumulatorul sau unealta la temperaturi din afara intervalului specificat în instrucțiuni.** Încărcarea necorespunzătoare sau la o temperatură din afara intervalului specificat poate deteriora acumulatorul și crește riscul de incendiu.

ÎNTREȚINERE

- **Solicitați efectuarea lucrărilor de service la unelte dvs. electrice numai de către o persoană calificată în reparații, folosind numai piese de schimb identice.** Acest lucru va garanta că siguranța unelei electrice este menținută.
- **Nu trebuie să efectuați niciodată reparații asupra acumulatorilor deteriorate.** Reparațiile asupra acumulatorilor trebuie să fie efectuate numai de către producător sau de furnizorii de servicii autorizate.

AVERTISMENTE DE SIGURANȚĂ PENTRU FIRIZUL FĂRĂ FIR, DE CURĂȚAT POMII

- În cazul în care efectuați operații în locuri în care accesoriul de tăiere poate intra în contact cu cabluri ascunse, țineți unealta electrică de suprafețele de prindere izolate. Accesoriul de tăiere ce intră în contact cu un cablu sub curent ar putea alimenta electric părțile metalice expuse ale unelei electrice și ar putea expune operatorul la un șoc electric.
- Folosiți cleme sau alte metode practice pentru a fixa și sprijini piesa de lucru pe o platformă stabilă. Ținerea piesei de lucru în mână sau lipită de corp o face instabilă și poate duce la pierderea controlului.
- Nu apropiați mâinile de zona de acțiune a firizului. Nu atingeți partea de sub piesa de lucru. Contactul cu pânza firizului poate duce la răniri.
- Purtați mănuși de protecție la manevrarea discului tăietor.când montați pânza firizului. Există pericol de rănire la atingerea pânzei firizului.
- Nu țineți produsul cu o mână, nici în jurul comutatorului On/Off care să se activeze în timp ce schimbați pânza firizului. Când comutatorul On/Off este activat din greșeală, există pericol de rănire.
- Când schimbați lama ferăstrăului, asigurați-vă că suportul lamei este fără reziduuri materiale, precum lemn sau șpan de metal.
- În timpul tunderii, țineți firizul ferm cu o mână, de mâner.
- Nu atingeți cârlițul, nici pânza sau fantele de ventilație în timpul tunderii pomilor.

EN
FR
DE
ES
IT
NL
PT
DA
SV
FI
NO
RU
PL
CS
HU
RO
LV
LT
ET
HR
SL
SK
BG
UK
TR





- După operația de tundere, este posibil ca pânda să fie încintată. Lăsați pânda să se răcească înainte de a o atinge.
- Folosiți dispozitivul de colectare al prafului sau conectați aspiratorul de extragere al prafului atunci când operați produsul.
- Informații cu privire la capacitatea de tăiere.
- Instrucțiuni cu privire la modul de ajustare a uneltei pentru diferite poziții ale pânzei firizului, dacă este cazul.
- Produsul va fi repornit automat dacă se blochează. În cazul blocării, opriți imediat produsul. Nu reporniți produsul atunci când este blocat, deoarece riscați producerea unui recul puternic. Identificați cauza blocării produsului și eliminați-o respectând instrucțiunile de siguranță.
- Temperatura ambientală în timpul funcționării uneltei (produsului) trebuie să fie cuprinsă între 0°C și 40°C.
- Temperatura ambientală în timpul depozitării uneltei trebuie să fie cuprinsă între 0°C și 40°C.
- Temperatura ambientală în timpul încărcării uneltei trebuie să fie cuprinsă între 10°C și 38°C.

AVERTISMENTE SUPLIMENTARE PRIVIND SIGURANȚA LA UTILIZAREA BATERIILOR

AVERTISMENT

Pentru a reduce pericolul unui incendiu și evitarea rănilor sau deteriorarea produsului în urma unui scurtcircuit nu imersați scula, acumulatorul de schimb sau încărcătorul în lichide și asigurați-vă să nu pătrundă lichide în aparate și acumulatori. Lichidele corosive sau cu conductibilitate, precum apa sărată, anumite substanțe chimice și înălbitori sau produse ce conțin înălbitori, pot provoca un scurtcircuit.

- Temperatura ambientală în timpul utilizării bateriei trebuie să fie cuprinsă între 0°C și 40°C.
- Temperatura ambientală în timpul depozitării bateriei trebuie să fie cuprinsă între 0°C și 20°C.
- Separați corespunzător deșeurile electronice prin îndepărtarea acumulatorilor integrați de la unitatea principală înainte de a-i arunca la gunoi. Încredințați-i la punctele de colectare corespunzătoare.
- Pentru a scoate acumulatorul integrat, separați cele două părți ale carcasei prin scoaterea șuruburilor. Deconectați acumulatorul de la circuit și scoateți-l.
- **NOTĂ:** Când e deschis, produsul nu mai este re folosibil sau să îi fie efectuat service-ul și trebuie eliminat corespunzător.
- Înainte de îndepărtarea acumulatorului de pe scula electrică, porniți produsul până când acumulatorul este complet descărcat.
- Asigurați-vă că acumulatorul ce vine îndepărtat nu vine în contact cu baterii, alți acumulatori sau materiale conductive prin protejarea bornelor expuse cu bandă sau capace izolatoare non-conductive.

TRANSPORTAREA BATERIILOR DE LITIU.

Transportați bateriile în conformitate cu prevederile și reglementările locale și naționale.

Urmați toate cerințele speciale privind împachetarea și etichetarea atunci când transportați baterii către un terț. Asigurați-vă că nicio baterie nu poate să intre în contact cu alte baterii sau materiale conductive în timpul transportului prin protejarea conectorilor expuși cu bandă, capace izolatoare neconductive. Nu transportați bateriile ce sunt crăpate sau care au scurgeri. Verificați cu firma transportatoare pentru recomandări ulterioare.

RISCURI REZIDUALE

Chiar dacă produsul este folosit așa cum a fost prescris, este totuși imposibil să se elimine complet anumii factori de risc reziduale. Următoarele pericole pot apărea în timpul folosirii și operatorul trebuie să acorde atenție specială pentru a evita următoarele:

- Vătămare cauzată de vibrație
 - Utilizați viteza te tăiere cea mai mică. Limitați expunerea. Consultați secțiunea „Reducerea riscurilor” din acest manual.
- Vătămare cauzată de praf.
 - Este posibil să vă intre praf în ochi sau în sistemul respirator. Purtați întotdeauna protecție pentru ochi. Purtați mască de praf adecvată, cu filtru potrivit pentru protecția contra particulelor de la materialul care se taie. Nu mâncați, beți sau fumați în zona de lucru. Asigurați o ventilație adecvată.
- rănire cauzată de electrocutare
 - Lama poate veni în contact cu firele electrice ascunse cauzând piesele produsului să devină conducătoare de electricitate. Țineți întotdeauna produsul de mănerele desemnate și accordați atenție când tăiați în pereți și podele căci pot fi ascunse cabluri electrice.
- vătămare de la contactul cu lamele
 - Lamele sunt foarte ascuțite și vor deveni fierbinți în timpul folosirii. Purtați mănuși la schimbarea lamelor. Țineți întotdeauna ferite mâinile de zona de tăiere. Prindeți în cleme piesa de lucru oricând e posibil.
- Vătămare cauzată de zgomot.
 - Zgomotul poate vătăma auzul. Când folosiți scula electrică pentru o perioadă prelungită de timp, purtați protecție pentru auz.

REDUCEREA RISCULUI

S-a raportat faptul că vibrațiile produse de unelte manuale pot contribui, la anumite persoane, la o afecțiune denumită Sindromul Raynaud. Simptomele pot include furnicături, amorțeală și albirea degetelor, care apare, de obicei, după expunerea la frig. Factorii ereditari, expunerea la frig și umiditate, dieta, fumatul și practicile de muncă contribuie la dezvoltarea acestor simptome. Există măsurător care pot fi efectuate de către operator pentru a reduce efectele de vibrațiilor:

- Păstrați-vă temperatura corporală ridicată pe vreme rece. Când operați produsul purtați mănuși pentru a menține calde mâinile și încheieturile. S-a constatat că vremea rece este un factor major care contribuie la sindromul Raynaud.



- După fiecare perioadă de operare, trebuie făcute exerciții pentru a crește circulația sângelui.
- Trebuie făcute pauze la intervale de timp regulate. Limitați expunerea zilnică.

Dacă sunt experimentate oricare dintre simptomele acestei afecțiuni, trebuie întreruptă utilizarea și consultat un medic.

AVERTISMENT

Pot fi cauzate sau agravate vătămrile de la folosirea prelungită a aparatului. Atunci când folosiți o sculă pentru perioade prelungite, asigurați-vă că luați pauze regulate.

ÎNTREȚINERE

AVERTISMENT

Mașina de șlefuit nu trebuie niciodată să fie conectată la priză atunci când montați piese, efectuați reglaje, curățați mașina sau atunci când nu o utilizați. Deconectarea produsului de la alimentare va preveni pornirea accidentală, care poate provoca răni grave.

AVERTISMENT

Utilizați pentru service doar piese de schimb și accesorii originale de la fabricant. Folosirea oricăror altor piese poate crea pericol sau cauza deteriorarea produsului.

- Evitați să folosiți solvenți pentru curățarea pieselor din plastic. Majoritatea pieselor din plastic sunt susceptibile să se deterioreze de la tipurile diferite de solvenți comerciali și pot fi deteriorate. Utilizați o cârpă curată pentru a curăța murdăriile, praful etc.

AVERTISMENT

Nu lăsați deloc lichidul de frână, benzina, produsele pe bază de petrol, uleiurile penetrante etc., să intre în contact cu piesele din plastic. Detergenții chimici pot deteriora, slăbi sau distruge plasticul, ce poate rezulta în vătămare personală gravă.

AVERTISMENT

Pentru o mai mare siguranță și încredere, toate reparațiile trebuie efectuate la un centru service autorizat.

CUNOAȘTEȚI-VĂ PRODUSUL

Vezi pagina 123.

Părți

1. Lama tip fierăstrău
2. Clamă de montare
3. Manetă a clamei pânzei
4. Buton de blocare declanșator
5. Declanșator
6. Mâner
7. Conexiune la baterie

SIMBOLURILE DE PE PRODUS



Avertizare de siguranță



Citiți și înțelegeți toate instrucțiunile înainte de a utiliza produsul. Respectați toate avertismentele și instrucțiunile de siguranță.



Purtați protecție pentru auz.



Purtați întotdeauna ochelari de protecție



Purtați mănuși care nu alunecă, destinate pentru operațiuni grele.



Purtați mască.



Țineți mâinile departe de lame.



Nu expuneți la ploaie sau umezeală.



Nivel garantat al puterii acustice 94 dB



Deșeurile produselor electrice nu trebuie eliminate împreună cu deșeurile casnice. Vă rugăm reciclați acolo unde există facilități. Verificați la autoritatea dvs locală sau la vânzător pentru sfaturi privind reciclarea.



Acest aparat este conform cu ansamblul normelor reglementare din țara din UE în care a fost cumpărat.



Marcaj de conformitate EurAsian



Semn de conformitate ucrainean

SIMBOLURI DIN ACEST MANUAL



Piese sau accesorii vândute separat



Notă

EN
FR
DE
ES
IT
NL
PT
DA
SV
FI
NO
RU
PL
CS
HU
RO
LV
LT
ET
HR
SL
SK
BG
UK
TR



Avertisment



Pericol! Pânză ascuțită



Viteză, minim



Viteză, maxim

Următoarele cuvinte de semnalizare sunt destinate a explica nivelele de risc asociate cu acest produs:

PERICOL

Indică o situație periculoasă iminentă, care dacă nu este evitată va cauza decesul sau vătămarea gravă.

AVERTISMENT

Indică o situație periculoasă iminentă, care dacă nu este evitată poate rezulta în deces sau vătămare gravă.

ATENȚIE

Indică o situație potențial periculoasă, care dacă nu este evitată poate cauza vătămarea moderată sau ușoară.

ATENȚIE

(Fără simbol de alertă de siguranță) Indică o situație ce poate rezulta în distrugerea proprietății.



EN
FR
DE
ES
IT
NL
PT
DA
SV
FI
NO
RU
PL
CS
HU
RO
LV
LT
ET
HR
SL
SK
BG
UK
TR

Radot jūsu akumulatoru zaru zāģi, drošībai, veiktspējai un uzticamībai ir pievērsta vislielākā vērība.

PAREDZĒTAIS LIETOJUMS

Akumulatoru zaru zāģis ir paredzēts lietošanai tikai pieaugušajiem, kas ir izlasījuši un izpratuši norādes un brīdinājumus šajā rokasgrāmatā, un var tikt uzskatīti par atbildīgiem par savām darbībām.

Ierīce ir paredzēta tikai lietošanai ārā, labi vēdinātās apstākļos.

Produkts ir radīts nelielu zaru un pazuļu griešanai un veidošanai ar diametru, vienāds vai tievāks par 80 mm.

Produkts ir paredzēts lietošanai, turot rokās. Produktu nedrīkst uzstādīt uz darba sola, ja vien produkta ražotājs nav sniedzis īpašas norādes par to, kā tas paveicams.

Nelietojiet citiem mērķiem.

VISPĀRĒJI ELEKTROINSTRUMENTU DROŠĪBAS BRĪDINĀJUMI

BRĪDINĀJUMS

Izlasiet visus drošības brīdinājumus, norādes, ilustrācijas un specifikācijas, kas sniegtas kopā ar šo izstrādājumu. Visu uzskaitīto instrukciju neievērošana ir bīstama; tā var izraisīt elektrisko triecienu, aizdegšanos un/vai nopietnus miesas bojājumus.

Brīdinājumus un instrukcijas saglabājiet turpmākai uzziņai.

Nosaukums "elektroinstruments" brīdinājumos attiecas uz jūsu elektrisko (ar vadu) elektroinstrumentu vai ar akumulatoru darbināmo (bez vada) elektroinstrumentu.

DARBA VIETA

- Turiet darba vietu tīru un labi apgaismotu. Pārblīvētas un tumšas vietas izraisa negadījumus.
- Nedarbiniet elektroinstrumentus sprādzienbīstamā vidē, piemēram, degošu šķidrums, gāzu vai putekļu klātbūtnē. Elektroinstrumenti rada dzirksteles, kas var aizdedzināt putekļus vai gāzes.
- Neļaujiet bērniem un blakusstāvētājiem tuvoties darbā esošiem elektroinstrumentiem. Izklaidības dēļ jūs varat zaudēt kontroli.

ELEKTRODROŠĪBA

- Elektroinstrumenta kontaktdakšai jāatbilst kontaktlīdzdai. Nekad nepārveidojiet kontaktdakšu. Sazemētiem elektroinstrumentiem nelietojiet pārejas ligzdas. Nepārveidotas kontaktdakšas un atbilstošas kontaktlīdzdas samazinās elektriskā trieciena risku.
- Nepieļaujiet ķermeņa kontaktu ar sazemētām virsmām, piemēram, caurulēm, radiatoriem, pavārdiem un saldētavām. Ja jūsu ķermenis ir sazemēts, pastāv palielināts elektriskā trieciena risks.
- Nepakļaujiet precī lielum vai slapjiem apstākļiem. Ūdens iekļūšana elektroinstrumentā palielina elektriskā trieciena risku.

- Neizmantojiet kabeli nepareizi. Nekad neizmantojiet vadu, lai nestu, vilktu elektroinstrumentu vai atvienotu kontaktdakšu. Turiet kabeli tālu no siltuma avota, eļļas, asiem priekšmetiem vai kustīgām detaļām. Bojāts vai savērpts kabelis palielina elektriskā trieciena iespēju.
- Strādājot ar elektroinstrumentu ārpus telpām, lietojiet āra lietošanai piemērotu pagarinātāju. Elektriskā trieciena risku samazina lietošanai ārpus telpām piemērota kabeļa izmantošana.
- Ja elektroinstruments ir jālieto mitrās telpās, izmantojiet strāvas noplūdes automātslēdzi (RCD) barošanas vadā. Paliekošās strāvas ierīces izmantošana samazina elektriskā trieciena risku.

PERSONISKĀ DROŠĪBA

- Uzmanieties darba laikā un izmantojiet veselo saprātu, darbojoties ar elektroinstrumentu. Neizmantojiet elektroierīci, ja esat noguris vai narkotisko vielu, alkohola vai medikamentu ietekmē. Neuzmanības brīdis, strādājot ar elektroinstrumentiem, var izraisīt smagus ievainojumus.
 - Lietojiet personīgo aizsargaprīkojumu. Vienmēr lietojiet aizsargbrilles. Aizsardzības aprīkojums, piemēram, putekļu maska, neslidoši drošības apavi, aizsargķivere, vai ausu aizsarglīdzekļi, to izmantojot atbilstošos apstākļos, samazinās ievainojumu risku.
 - Nepieļaujiet nejaušu iedarbināšanu. Pirms pievienot enerģijas avotam un/vai akumulatoram, pārceliet pārvietot darbarīku, pārlicinieties, ka slēdzis ir izslēgtā stāvoklī. Elektroinstrumentu pārnēsāšana, turot pirkstu uz slēdža vai ieslēgtu elektroinstrumentu pārnēsāšana var izraisīt nelaimes gadījumu.
 - Noņemiet visas regulēšanas uzgriežņu atslēgas pirms elektroierīces ieslēgšanas. Uzgriežņu atslēga vai atslēga, kas palikusi piestiprināta pie elektroinstrumenta rotējošās detaļas, var izraisīt personas ievainojumu.
 - Nepersitēmpkite. Visu laiku stāviet stingri un stabili. Tas ļauj labāk vadīt elektroinstrumentu negaidītās situācijās.
 - Apģērbieties pareizi. Nevalkājiet vaļīgu apģērbu vai rotaslietas. Turiet savus matus, apģērbu un cimdus tālu no kustīgām detaļām. Valģis apģērbs, rotaslietas vai gari mati var tikt ierauti starp kustīgām detaļām.
 - Ja ierīce ir aprīkota ar putekļu nosūcēja un savācēja pievienojumu, pārlicinieties, ka tas ir pievienots un tiek pareizi lietots. Putekļu savācēja lietošana var samazināt putekļu izraisītos riskus.
 - Neļaujiet biežas instrumentu lietošanas radītam pieradumam ļaut palikt nevērtīgam un neievērot instrumentu drošības principus. Neuzmanīga rīcība var radīt smagas traumas tikai dažu sekunžu laikā.
- ### ELEKTROINSTRUMENTU LIETOŠANA UN APRŪPE
- Nepielietojiet spēku, izmantojot ražojumu. Izmantojiet savam darbam atbilstošu elektroierīci. Pareizais elektroinstruments veiks darbu labāk un drošāk ar ātrumu, kādam ticis konstruēts.
 - Nelietojiet elektroinstrumentu, ja ar slēdzi to nevar ieslēgt un izslēgt. Ja elektroinstrumentu nevar vadīt ar





slēdzi, tas ir bīstams un jāremontē.

- **Atvienojiet kontaktdakšu no enerģijas avota un/ vai akumulatoru no elektroinstrumenta pirms veikt jebkādas regulējumus, piederumu maiņu vai novietot glabāšanai elektroinstrumentus.** Šādi profilakses pasākumi samazina elektroierīces nejaūšas iedarbināšanas iespēju.
- **Glabājiet neizmantotus elektroinstrumentus bērniem nepieejamās vietās un neļaujiet neapmācītām personām darboties ar elektroinstrumentiem.** Elektroinstrumenti ir bīstami neapmācītu personu rokās.
- **Apkopt elektroinstrumentus.** Pārbaudiet kustīgo detaļu savienojumu pareizību, detaļu berzi un citus apstākļus, kas var ietekmēt elektroinstrumenta darbu. Ja elektroinstrumentis ir bojāts, pirms lietošanas veiciet tā remontu. Daudzus negadījumus izraisa slikti apkopti elektroinstrumenti.
- **Turiet griezējriekus asus un tīrus.** Pareizi apkopti griezējinstrumenti ar asām griezējšķautnēm retāk pielip un ir vieglāk vadāmi.
- **Izmantojiet elektroierīci, piederumus, darbinstrumentus u.c. saskaņā ar šiem norādījumiem, ņemiet vērā darba apstākļus un veicamo darbu.** Elektroinstrumenta izmantošana neparedzētu darbību veikšanai var radīt bīstamu situāciju.
- **Rokturiem un citām satverošām virsmām ir jābūt sausām, tīrām un bez eļļas un smērvielu plankumiem.** Negaidītās situācijās slideni rokturi un slidena satvēriena virsmas padara darbarīka lietošanu nedrošu un nekontrolējamu.

AR AKUMULATORU DARBINĀMU IERĪČU LIETOŠANA UN KOPŠANA

- **Uzlādējiet tikai ar ražotāja noteikto lādētāju.** Lādētājs, kas paredzēts lietošanai ar viena veida akumulatoru, var būt ugunsnedrošs, ja to izmanto ar citu akumulatoru.
- **Lietojiet elektriskos instrumentus tikai ar konkrētajai ierīcei paredzēto akumulatoru.** Jebkura cita akumulatora lietošana var radīt ievainojumu un ugunsgrēka risku.
- **Kad nelietojat akumulatoru, neturiet to citu metāla priekšmetu tuvumā, piemēram: papīra saspaušanas, monētas, atslēgas, naglas, skrūves vai citi sīki metāla priekšmeti, kas var veidot savienojumu starp spailēm.** Akumulatora spaiļu īsslēgums var radīt aizdegšanos vai ugunsgrēku.
- **Nepareizas rīcības gadījumā no akumulatora var izkļūt šķidrums; izvairieties no saskares ar to.** Nejaūšas saskares gadījumā skalojiet skarto vietu ar ūdeni. Ja šķidrums nokļūst acīs, nepieciešama arī medicīniskā palīdzība. No akumulatora izkļuvušais šķidrums var izraisīt kairinājumu vai apdegumus.
- **Neizmantojiet akumulatoru bloku, kas ir bojāts vai pārveidots.** Bojāts vai pārveidots akumulatoru bloks var izraisīt neparedzamu darbību, kas var izraisīt uzliesmošanu, sprādzienu vai ievainojumu risku.
- **Nepakļaujiet akumulatoru bloku vai instrumentu**

liesmu vai paaugstinātas temperatūras iedarbībai.

Pakļaujot liesmām vai temperatūrai virs 130°C var izraisīt sprādzienu.

- **Ievērojiet visas lādēšanas instrukcijas un nelādējiet akumulatoru bloku vai instrumentu, ja temperatūra ir ārpus diapazona, kas norādīts instrukcijās.** Nepareiza lādēšana vai lādēšana temperatūrā, kas ir ārpus norādītā diapazona, var izraisīt akumulatora bojājumus un palielināt uzliesmošanas risku.

APKOPE

- **Vai jūsu elektroinstrumentu apkalpo kvalificēts personāls, izmantojot tikai identiskas rezerves daļas.** Tas nodrošinās elektroinstrumenta drošības saglabāšanu.
- **Nekad neveiciet bojātu akumulatoru bloku remontu.** Akumulatoru bloku remontu drīkst veikt tikai ražotājs vai pilnvarots servisa nodrošinātājs.

AKUMULATORA ZARU ZĀGA DROŠĪBAS BRĪDINĀJUMI

- Darbos, kuros instruments var saskarties ar slēptiem vadiem, turiet instrumentu aiz izolētajām satveršanas virsmām. Griezējinstrumenta saskare ar strāvu vadošajām vietām var padarīt arī atklātās metāla daļas vadošas un radīs operatoram elektrisko triecienu.
- Izmantojiet skavu vai citus praktiskus veidus kā nodrošināt un nostiprināt darba rīku uz stabilas virsmas. Turot darbarīku rokās vai tuvu ķermenim, padara to nestabilu un var novest pie uzmanības zaudēšanas.
- Turiet rokas atstatu no zāģēšanas vietas. Nesniedzieties zem sagataves. Saskare ar zāģa asmeni var izraisīt ievainojumus.
- Uzstādot zāģa asmeni valkājiet aizsargcimdus. Pieskaroties zāģa asmenim, pastāv ievainojumu risks.
- Mainot zāģa asmeni, neturiet produktu vienā rokā vai ieslēgšana/izslēgšanas slēdža un mēlītes apvidū. Nejaūši ieslēdzot slēdzi, pastāv ievainojumu risks.
- Mainot zāģa asmeni, pārlicinieties, ka zāģa asmens turētājā nav materiālu palieku, piemēram, koka vai metāla skaidu.
- Veicot zāģēšanu, stingri turiet produktu aiz roktura ar vienu roku.
- Zāģēšanas laikā nepieskarieties āķim, asmenim vai ventilācijas atverēm.
- Zāģa asmens pēc zāģēšanas var būt karsts. Atļaujiet zāģa asmenim atdzist, pirms tam pieskarieties.
- Darbinot precī, izmantojiet putekļu savākšanas ierīces vai savienojiet ar rūpniecisko putekļu savācēju.
- Informācija par griešanas spēju.
- Norādes par to, kā pielāgot instrumentu dažādām zāģa asmens pozīcijām, ja nepieciešams.
- Ja apstājas, produkts automātiski atsāks darboties. Ja produkts apstājas, nekavējoties to izslēdziet. Neieslēdziet produktu, kamēr tas ir nobloķējies, jo šādā veidā var izraisīt pēkšņu augsta reaktīvā spēka atbrīvošanos. Nosakiet, kāpēc produkts ir apstājies, un novērsiet traucējumus, pievērsot uzmanību drošības instrukcijām.





- Apkārtējās vides temperatūras diapazons instrumentam (produktam) lietošanas laikā ir starp 0°C un 40°C.
- Apkārtējās vides temperatūras diapazons instrumenta uzglabāšanai ir starp 0°C un 40°C.
- Ieteicamais apkārtējās vides temperatūras diapazons lādēšanas sistēmai uzlādes laikā ir starp 10°C un 38°C.

PAPILDU AKUMULATORU BLOKA DROŠĪBAS BRĪDINĀJUMI

▲ BRĪDINĀJUMS

Lai novērstu īssavienojuma izraisītu aizdegšanās, savainojumu vai produkta bojājuma risku, neiegremdējiet instrumentu, maināmo akumulatoru vai uzlādes ierīci šķidrums un rūpējieties par to, lai ierīcēs un akumulatoros neieklūtu šķidrums. Koroziju izraisīši vai vadītspējīgi šķidrums, piemēram, sālsūdens, noteiktas ķīmikālijas, balinātāji vai produkti, kas satur balinātājus, var izraisīt īssavienojumu.

- Apkārtējās vides temperatūras diapazons akumulatoram lietošanas laikā ir starp 0°C un 40°C.
- Apkārtējās vides temperatūras diapazons akumulatora uzglabāšanai ir starp 0°C un 20°C.
- Pareizi sašķirojiet elektroniskos atkritumus, pirms utilizācijas izņemot iebūvētos akumulatorus no galvenās ierīces. Nogādājiet tos piemērotā atkritumu savākšanas punktā.
- Lai noņemtu iebūvēto akumulatoru bloku, noņemiet instrumenta korpusa abas puses, izskrūvējot skrūves. Atvienojiet akumulatoru no slēguma un izņemiet to.
- **PIEZĪME:** Tiklīdz ierīce tiek atvērta, tā vairs nav lietojama un darboties spējīga un tā pareizi jāutilizē.
- Vispirms ieslēdziet ierīci, līdz akumulators ir pilnībā ielādējies, un tikai pēc tam izņemiet akumulatoru no elektroinstrumenta.
- Nodrošiniet, lai utilizējama akumulators nevarētu nonākt saskarē ar baterijām, citiem akumulatoriem vai vadītspējīgiem materiāliem, pasargājot atklātos savienotājus ar nevadošu izolācijas lenti vai zsmavām.

LITIJA BATERIJU TRANSPORTĒŠANA

Transportējiet baterijas saskaņā ar vietējiem un valsts noteikumiem un regulām.

Ievērojiet visas īpašās prasības saistībā ar iepakojšanu un marķēšanu, transportējot trešās puses baterijas. Nodrošiniet, ka baterijas transportā nevar nonākt saskarē ar citām baterijām vai vadītspējīgiem materiāliem, aizsargājot atklātos savienotājus ar nevadošiem izolācijas vāciņiem vai lentēm. Netransportējiet iepļaisājušas baterijas vai baterijas, kurām ir nopļūde. Lūdziet padomu kravu pārvadāšanas uzņēmumam.

OBJEKTĪVIE RISKI

Pat ka prece ir lietota kā noteikts, nav iespējams pilnībā novērst noteiktus riska faktorus. Lietošanas laikā var rasties šādas bīstamas situācijas, un lietotājam ir jāpievērš pastiprināta uzmanība, lai tās novērstu:

- Vibrācijas radīts ievainojums
 - Izmantojiet vislēnāko ātrumu, kas nodrošina zāģēšanu. Ierobežojiet iedarbību. Skatīt nodaļu "Risku samazināšana" šajā rokasgrāmatā.
- Putekļu izraisītais traumas
 - Putekļi var iekļūt acīs vai elpceļos. Vienmēr nēsājiet acu aizsardzību. Valkājiet piemērotu putekļu aizsargmasku ar filtriem, kas piemēroti aizsardzībai pret griežamā materiāla putekļiem. Darba vietā neēdiet, nedzeriet un nesmēķējiet. Nodrošiniet piemērotu ventilāciju.
- Elektrības triecienu radīti ievainojumi
 - Asmens var nonākt saskarē ar aplsēptām elektroinstalācijām, un ierīces detaļas tādējādi var kļūt "spriegumaktīvas". Vienmēr turiet ierīci aiz speciālajiem rokturiem un uzmanieties, griežot nezināmās sienās un grīdā, kur var būt aplsēpti vadi.
- Savainojumi no saskares ar asmeņiem
 - Asmeņi ir ļoti asi un lietošanas laikā uzkarst. Asmeņu nomaigās laikā valkājiet cimdus. Vienmēr turiet rokas drošā attālumā no griešanas vietas. Nostipriniet apstrādājamo materiālu, kad vien iespējams.
- Trokšņa radīti miesas bojājumi
 - Trokšnis var izraisīt dzirdes bojājumus. Lietojot elektroinstrumentus ilgstošu laika periodu, lietojiet dzirdes aizsarglīdzekļus.

RISKA SAMAZINĀŠANA

Ir ticis ziņots, ka vibrācijas no rokas instrumentiem atsevišķos cilvēkos var veicināt kaiti, ko sauc par Reino sindromu. Simptomi var ietvert pirkstu tīnkšķēšanu, nejutīgumu un nobālēšanu, parasti aukstā laikā. Tiek uzskatīts, ka tradicionālie faktori, aukstums un mitrums, uzturs, smēķēšana un darba prakse sekmē šo simptomu attīstību. Operators var veikt pasākumus, lai iespējami samazinātu vibrācijas efektu:

- Aukstā laikā ķermenim jābūt siltam. Kad darbināt precī valkājiet cimdus, lai rokas un plaukstu locītavas būtu siltas. Ir pētījumi, ka auksts laiks ir galvenais faktors, kas veicina Reino sindromu.
- Ik pēc laika apturiet darbu un veiciet vingrinājumus, kas uzlabo asins cirkulāciju.
- Strādājot jābūt biežiem pārtraukumiem. Ierobežojiet iedarbības ilgumu dienā.

Ja jūs izjūtat kādu no šiem simptomiem, nekavējoties apturiet ierīces lietošanu un sazinieties ar ārstu par šiem simptomiem.

▲ BRĪDINĀJUMS

Ilgstoša preces lietošana var radīt ievainojumus vai pasliktināt jau esošos. Ilgstoši lietojot jebkuru instrumentu, pārliecinieties, ka tiek veikti regulāri pārtraukumi.



APKOPE

⚠ BRĪDINĀJUMS

Instrumentu nekad nevajadzētu pievienot barošanas padevei, veicot daļu montāžu, regulēšanu, tīrīšanu vai apkopi vai arī laikā, kad instruments netiek izmantots. Elektriķas vada atvienošana no sprieguma padeves novērsīs nejašu ieslēgšanu, kas var izraisīt smagus ievainojumus.

⚠ BRĪDINĀJUMS

Veicot apkopi, izmantojiet tikai oriģinālās ražotāja rezerves daļas, aksesuārus un papildaprīkojumu. Kitu detaļu naudojimas gali sukelti pavojų ar sugadinti prietaisą.

- Tīrot plastmasas detaļas, nelietojiet šķīdinātājus. Komerציניai tīrīkliai lengvai pažeidžia daugelį plastikinių dalių paviršių ir gali jas apgadinti. Izmantojiet tīru drānu, lai notīrītu neīrumus, oglekļa putekļus utt.

⚠ BRĪDINĀJUMS

Neļaujiet bremžu šķidrumam, benzīnam, naftas produktiem, smērvielām u.c. saskarties ar plastmasas detaļām. Ķīmiskie līdzekļi var sabojāt vai iznīcināt plastmasas elementus, kas savukārt var radīt smagus miesas bojājumus.

⚠ BRĪDINĀJUMS

Lielākas drošības un uzticamības labad visi remontu jāveic pilnvarotā apkopes centrā.

PAZĪSTIET SAVU IERĪCI

Skatīt 123. lappusi

Daļas

1. Zāģa asmens
2. Montāžas skava
3. Asmens skavas svira
4. Mēlītes bloķēšanas poga
5. Mēlīte
6. Rokturis
7. Akumulatora savienojuma ligzda

UZ PRECES ESOŠIE SIMBOLI



Drošības brīdinājums



Izlasiet un izprotiet visas norādes pirms produkta lietošanas. Ievērojiet visus brīdinājumus un drošības norādes.



Valkājiet ausu aizsargu.



Valkājiet acu aizsargaprīkojumu



Valkājiet neslīdošus darba cimdus.



Uzlieciet masku.



Neturiet rokas asmeņu tuvumā.



Nepakļaujiet lietum vai mitriem apstākļiem.



Garantētais skaņas intensitātes līmenis 94 dB



Izlietotie elektroprodukti nedrīkst tikt izmesti kopā ar māsasaimniecības atkritumiem. Lūdzu, nododiet tos attiecīgajās atkār tolas izmantošanas vietās. Sazinieties ar savu vietējo varas pārstāvi vai izplatītāju, lai noskaidrotu, kur iespējama atkārtota pārstrāde.



Darbarīks atbilst visām normām ES valstī, kurā tas ir iegādāts.



EurAsian atbilstības marķējums.



Ukrainas apstiprinājuma zīme

SIMBOLI ŠAJĀ ROKASGRĀMATĀ



Atsevišķi nopērkamās daļas vai piederumi



Piezīme



Brīdinājums



Bīstami! Ass asmens



Apgriezieni, minimālais



Apgriezieni, maksimālais

Šādi signālvārdi un nozīmes ir paredzētas, lai izskaidrotu ar precīzā riska līmeņus:

 **BĪSTAMI**

Norāda draudošo bīstamo situāciju, kas, ja no tās neizvairās, var novest pie nāves vai nopietnas traumas.

 **BRĪDINĀJUMS**

Norāda potenciālo bīstamo situāciju, kas, ja no tās neizvairās, var novest pie nāves vai nopietnas traumas.

 **UZMANĪBU**

Norāda potenciālo bīstamo situāciju, kas, ja no tās neizvairās, var novest pie nelielas vai vidējas traumas.

UZMANĪBU

(Bez drošības trauksmes simbola), kas norāda, uz situāciju, kas var novest pie īpašuma bojājuma.

EN
FR
DE
ES
IT
NL
PT
DA
SV
FI
NO
RU
PL
CS
HU
RO
LV
LT
ET
HR
SL
SK
BG
UK
TR



Gaminant šį akumuliatorinį šakų genėtuvą didžiausia svarba buvo teikiama jo saugai, efektyvumui ir patikimumui.

NAUDOJIMO PASKIRTIS

Akumuliatorinis šakų genėtuvas skirtas naudoti tik suaugusiesiems, kurie yra perskaitę bei suprato šiame vadove pateikiamas instrukcijas ir įspėjimus, ir gali būti laikomi atsakingais už savo veiksmus.

Prietaisas skirtas naudoti lauke, gerai vėdinamoje vietoje.

Įrenginys skirtas aukštų medžių mažoms šakelėms ir šakoms, kurių skersmuo yra mažesnis arba lygus 80 mm, pjauti bei genėti.

Produktas sukurtas naudoti laikant rankose. Įrankis nėra skirtas montuoti ant darbastalo, nebent įrankio gamintojas būtų pateikęs konkrečius nurodymus, kaip tai padaryti.

Nenaudokite kitais tikslais.

BENDRI ELEKTRINIO ĮRANKIO SAUGOS ĮSPĖJIMAI

ĮSPĖJIMAS

Perskaitykite visus su šiuo gaminiu pateiktus saugos įspėjimus, nurodymus, paveikslėlius ir specifikacijas. Apačioje išdėstytų instrukcijų nesilaikymas gali sukelti elektros smūgį, gaisrą ir (ar) sunkius asmens sužeidimus.

Saugokite šiuos įspėjimus ir nurodymus, kad galėtumėte vadovautis jais vėliau.

Įspėjimuose nurodytas terminas „elektrinis įrankis“ reiškia elektrinio įrankio naudojimą, jį prijungus prie maitinimo tinklo (laidu) arba maitinimo baterijos (belaids).

DARBO APLINKA

- Darbo vieta turi būti švari ir gerai apšviesta. Nelaimingi atsitikimai įvyksta netvarkingose ar tamsiose vietose.
- Nenaudokite elektrinių įrankių, jei šalia yra degios ir sprogti galinčios medžiagos (skysčiai, dujos ar dulksės). Elektriniai įrankiai kibirkščiuoja ir gali uždegti dulkes arba garus.
- Neleiskite vaikams ir šalia esantiems asmenims būti šalia įjungto elektrinio įrankio. Išsiblaškę galite prarasti kontrolę.

ELEKTROS SAUGA

- Elektrinio įrankio kištukai turi atitikti kištukinį lizdą. Niekada nekeiskite kištuko. Su įžemintais (įžeminimo) elektriniais įrankiais niekada nenaudokite kištukų adapterių. Nepakeisti kištukai ir atitinkantys lizdai sumažina elektros smūgio pavojų.
- Stenkitės nesiliesti prie įžemintų ar įžeminimo paviršių (vamzdžių, radiatorių, grandinių / viryklių, šaldytuvų). Įžeminus savo kūną, padidės elektros smūgio pavojus.
- Gaminio negalima naudoti ar laikyti lietuje ar drėgmėje. Dėl vandens, patekusio į elektrinį įrankį, padidėja elektros smūgio pavojus.
- Laidą naudokite pagal jo paskirtį. Niekada jo

nenaudokite elektriniams įrankiams pernešti, tempti ar išjungti. Saugokite maitinimo laidą nuo karščio, tepalų, aštrių kampų ir judančių detalių. Pažeisti ar supainioti laidai padidina elektros smūgio galimybę.

- Dirbdami su elektriniu įrankiu lauke, naudokite tik lauke naudoti skirtus ilginamuosius laidus. Naudojant tinkamą laukui laidą sumažinama elektros smūgio tikimybė.
- Jei būtina naudotis elektriniu įrankiu drėgnomis oro sąlygomis, naudokite likutinės srovės prietaisą (RCD). Naudojant RCD sumažinama elektros smūgio tikimybė.

ASMENINĖ SAUGA

- Būkite budrūs ir stebėkite, ką darote, bei sąmoningai naudokite elektrinį įrankį. Nesinaudokite įrankiu, kai esate pavargę ar paveikti narkotinių medžiagų, alkoholio ar vaistų. Neatidumas darbo su elektriniu įrankiu metu gali sukelti sunkius sužeidimus.
- Naudokite asmeninės apsaugos įrangą. Visada dėvėkite akių apsaugos priemones. Apsauginės priemonės, pavyzdžiui, apsauginės kaukės, batai neslidžiais padais, šalmas arba klausos apsaugos priemonės, naudojamos atitinkamomis darbo sąlygomis, sumažins pavojų susižaloti.
- Saugokitės, kad įrankis netyčia neįsijungtų. Įsitinkinkite, kad prieš prijungiant įrankį prie maitinimo šaltinio ir (ar) baterijos, pakeliant ar nešant elektrinį įrankį, jungiklis yra išjungtas. Nešant elektrinį įrankį, uždėjęs pirštą ant jungiklio, arba elektrinį įrankį, kurio jungiklis yra įjungtoje padėtyje, gali įvykti nelaimingas atsitikimas.
- Prieš įjungiant elektrinį įrankį, išimkite derinimo raktą ar veržliaraktį. Jei juos paliksite pridėtus prie besisukančios įrankio dalies, galite susižaloti.
- Nepersitempkite. Visada tvirtai stovėkite ir išlaikykite pusiausvyrą. Tai padės geriau kontroliuoti įrankį netikėtų situacijų metu.
- Dėvėkite tik darbui tinkamus drabužius. Nedėvėkite laisvų, nepriglundusių drabužių ir juvelyrinių dirbinių. Keep your hair and clothing away from moving parts. Laisvi drabužiai, papuošalai ar ilgi plaukai gali įsipainioti į judančias įrankio dalis.
- Jei įrengti dulkių ištraukimo ir surinkimo įrenginiai, įsitinkinkite, kad jie prijungti ir naudojami tinkamai. Su dulkmėmis susijusiam pavojui sumažinti naudokite dulkių surinkimą.
- Nepasitikėkite vien savo patirtimi, įgyta dažnai naudojantis įrankiais,– neignorokite įrankio naudojimo saugos taisyklių. Nerūpestingai elgiantis, galima susižeisti per sekundės dalį.

ELEKTRINIO ĮRANKIO NAUDOJIMAS IR PRIEŽIŪRA

- Nenaudokite per didelės jėgos. Pritaikykite tinkamą elektrinį įrankį atliekamam darbui. Naudodami pagal paskirtį pagamintą tinkamą elektrinį įrankį, darbą atliksite geriau ir saugiau.
- Nenaudokite elektrinio įrankio, jei jungiklio negalite įjungti ir išjungti. Jungikliu nevaldomas elektrinis įrankis yra pavojingas ir jį reikia taisyti.





- **Prieš sureguliuojant įrankį, keičiant atsargines dalis ar sandėliavimą atjunkite laidą nuo maitinimo šaltinio ir (ar) akumuliatoriaus.** Tokios saugumo priemonės apsaugos nuo atsitiktinio įrankio įsijungimo.
- **Laikykite elektrinį įrankį vaikams neprieinamoje vietoje ir neleiskite juo naudotis asmenims, kurie nemoka juo naudotis.** Neįgudusiems asmenims elektriniai įrankiai yra pavojingi.
- **Priziūrėkite elektrinius įrankius.** Patikrinkite judančių detalių nesutapimus, sukibimą, ar sumontuotos detalės nesulūžusios bei kitą būklę, kuri gali turėti neigiamos įtakos įrankio veikimui. Jei įrankis sugedęs, prieš naudojimą jį reikia suremontuoti. Nemažai nelaimingų atsitikimų įvyksta dėl netinkamai priziūrinimų elektrinių įrankių.
- **Pjovimo įrankius reikia pastoviai galąsti ir valyti.** Tinkamai priziūreiti aštriais ašmenimis pjovimo įrankiai mažiau stringa ir juos lengviau valdyti.
- **Naudokite elektrinius įrankius, atsargines detales, gražtus ir t. t., pagal šias instrukcijas ir atsižvelgdami į darbo sąlygas bei turimą atlikti darbą.** Naudokite elektrinį įrankį tik pagal tiesioginę paskirtį, kitaip sukelsite pavojingą situaciją.
- **Rankenos ir suėmimo paviršiai turi būti sausi, švarūs ir nesutepti alyva ar tepalais.** Jeigu rankenos ar suėmimo paviršiai slidūs, krūmapjovę naudoti ir valdyti nesaugu netikėtomis situacijomis.

ĮRANKIO SU AKUMULIATORIUMI NAUDOJIMAS IR PRIEŽIŪRA

- **Pakartotinai kraukite prietaisą tik naudodami gamintojo nurodytą kroviklį.** Vieno tipo akumuliatoriui tinkantis įkroviklis gali kelti gaisro pavojų kitokiam akumuliatoriui.
- **Elektrinius įrankius naudokite tik su jiems skirtais baterijų paketais.** Naudojant kitokius akumuliatorius, galima susižeisti ar sukelti gaisrą.
- **Kai akumuliatorius nenaudojamas, jį laikykite toliau nuo kitų metalinių daiktų, pavyzdžiui, sąvaržėlių, monetų, raktų, vinių, varžtų ar kitų mažų metalinių daiktų, kurie vieną gnybtą gali sujungti su kitu.** Sutrumpinus vieną akumuliatoriaus gnybtą su kitu, galima nusidiegti arba sukelti gaisrą.
- **Netinkamomis sąlygomis iš akumuliatoriaus gali ištekėti skystis - nelieskite jo.** Jei atsitiktinai prisilietėte - nuplaukite vandeniu. Jei skysčio pateko į akis, papildomai kreipkitės į gydytoją. Iš akumuliatoriaus ištekėjęs skystis gali nudeginti ar sukelti sudirginimus.
- **Nenaudokite akumuliatorių bloko ar įrankio, kuris yra sugadintas arba pakeistas.** Sugadinti arba pakeisti akumuliatoriai gali veikti neprognozuojamai ir dėl to gali kilti gaisras, sprogimas arba pavojus susižaloti.
- **Saugokite akumuliatorių nuo ugnies ir pernelyg aukštos temperatūros.** Patekus į ugnį arba veikiant aukštesnei nei 130 °C temperatūrai gali kilti sprogimas.
- **Laikytės visų įkrovimo instrukcijų ir neįkraukite akumuliatorių bloko ar įrankio jei temperatūra yra už instrukcijose nurodyto diapazono ribų.** Netinkamai

įkraunant arba jei temperatūra yra už nurodyto diapazono ribų gali būti sugadinti akumuliatoriai ir padidėti gaisro pavojus.

TECHNINIS APTARNAVIMAS

- **Elektrinį įrankį turi remontuoti tik kvalifikuoti darbuotojai, kurie naudoja identiškias atsargines dalis.** Tai užtikrina elektrinio įrankio saugumą.
- **Niekada neremontuokite pažeistų akumuliatorių.** Akumuliatorius remontuoti gali tik jo gamintojai arba įgaliotieji techninės priežiūros paslaugų teikėjai.

AKUMULIATORINIO ŠAKŲ GENĖTUVO NAUDOJIMO SAUGOS TAISYKLĖS

- **Elektrinį įrankį laikykite už izoliuotų paviršių, kad darbo metu pjovimo įrankio priedas nesusiliestų su paslėptais laidais.** Pjovimo metu priedas, prisilietęs prie laido, prijungto prie maitinimo šaltinio, gali aktyvuoti metalines elektrinio įrankio detales ir sukelti operatoriumi elektros smūgį.
- **Spaustuvais ar kitu praktiniu būdu pritvirtinkite ir atremkite ruošinį prie stabilaus paviršiaus.** Ruošinį laikant ranka ar atrėmus į savo kūną, ruošinys yra nestabilus, todėl galite jo nesuvaldyti.
- **Laikykite rankas atokiai nuo pjovimo zonos.** Rankų neikiškite po ruošiniu. Prisilietus prie pjovimo peilio galima susižaloti.
- **Montuodami pjovimo peilį mūvėkite pirštines.** Liečiant pjovimo peilį kyla pavojus susižeisti.
- **Keisdami pjovimo peilį nelaikykite įrenginio viena ranka suėmę už įjungimo / išjungimo jungiklio ir gaiduko arba prie pat jų.** Netyčia paspaudus įjungimo / išjungimo jungiklį kyla pavojus susižaloti.
- **Keičiant pjūklo geležtę, reikia patikrinti, kad jos laikiklyje nebūtų medžiagų liekanų pavyzdžiui, medienos arba metalo nuopjovų.**
- **Genėdami šakas tvirtai laikykite įrenginį viena ranka suėmę už rankenos.**
- **Genėdami šakas nelieskite kablo, peilio ar oro ventiliacijos angų.**
- **Genint šakas, pjovimo peilis gali įkaisti.** Palaukite, kol peilis atvės, ir tik tada jį lieskite.
- **Apdorojant medžiagas šiuo gaminiu reikia naudoti dulkių surinktuvą arba dulkių siurbį.**
- **Informacija apie pjovimo galią.**
- **Instrukcija apie tai, kaip sureguliuoti įrankį pasirenkant kitas pjovimo peilio padėtis, jei taikytina.**
- **Įrankiui užstrigus, iš naujo jis pasileidžia automatiškai.** Jei įrankis užstrigtų, nedelsiant jį išjunkite. Nebandykite jungti įrankio, kol jis užstrigęs, antraip kils stiprios atatrakos pavojus. Išsiaiškinkite įrankio užstrigimo priežastį ir pašalinkite ją, nepamirškite laikytis saugos taisyklių.
- **Įrankio (produkto) darbinės aplinkos temperatūros diapazonas nuo 0°C iki 40°C.**
- **Įrankio sandėliavimo aplinkos temperatūros diapazonas nuo 0°C iki 40°C.**
- **Rekomenduojamas įkrovimo sistemų darbinės aplinkos temperatūros diapazonas nuo 10°C iki 38°C.**

EN
FR
DE
ES
IT
NL
PL
PT
DA
SV
FI
NO
RU
CS
CL
HU
RO
LV
LT
ET
HR
SL
SK
BG
UK
TR



PAPILDOMI AKUMULIATORIAUS SAUGOS ĮSPĖJIMAI

▲ ĮSPĖJIMAS

Siekdami išvengti trumpojo jungimo sukeliama gaisro pavojaus, sužalojimų arba produkto pažeidimų, neikiškite įrankio, keičiamo akumuliatoriaus arba įkroviklio į skysčius ir pasirūpinkite, kad į prietaisus arba akumuliatorius nepatektų jokių skysčių. Koroziją sukeliantys arba laidūs skysčiai, pvz., sūrus vanduo, tam tikri chemikalai ir balikliai arba produktai, kurių sudėtyje yra baliklių, gali sukelti trumpąjį jungimą.

- Baterijos darbinės aplinkos temperatūros diapazonas nuo 0°C iki 40°C.
- Baterijos sandėliavimo aplinkos temperatūros diapazonas nuo 0°C iki 20°C.
- Tinkamai rūšiuokite elektronines atliekas ir, prieš išmesdami, ištraukite įmontuotus baterijų blokus iš pagrindinio įrenginio. Perduokite atitinkamoms atliekų surinkimo įmonėms.
- Jei norite išimkite integruotą akumuliatorių, išsukite varžtus, kad atskirtumėte korpuso dalis vieną nuo kitos. Atjunkite baterijų bloką nuo grandinės ir ištraukite.
- **PASTABA:** Atidarius, gaminio daugiau naudoti nebegalima arba remontuoti, jis turi būti tinkamai utilizuotas.
- Prieš ištraukdami baterijų bloką iš elektrinio įrankio, įjunkite gaminį ir laikykite įjungtą, kol baterijų blokas visiškai išsikraus.
- Užtikrinkite, kad baterijų blokas nesiliestų su baterijomis, kitais jų blokais ar laidžiosiomis medžiagomis apsaugodami išlindusias jungtis izoliacija, nelaidžiais gaubtais arba lipnia juosta.

LIČIO BATERIJŲ TRANSPORTAVIMAS

Akumuliatorių gabenkite pagal vietinius ir šalies reikalavimus bei nuostatas.

Akumuliatorius gabenant trečiajai šaliai būtina laikytis visų specialių reikalavimų, nurodytų pakuotėse ir etiketėse. Užtikrinkite, kad gabenimo metu nei vienas akumuliatorius nesiliestų su kitais akumuliatoriais arba laidžiosiomis medžiagomis – apsauginius jungiamuosius elementus uždenkite izoliacinėmis nelaidžiomis movomis arba juosta. Įskilusių ir tekančių akumuliatorių negabenkite. Dėl tolesnių patarimų kreipkitės į transporto įmonę.

ŠALUTINIAI PAVOJAI

Net naudojant gaminį pagal nurodymus, neįmanoma visiškai atmesti visų pavojaus veiksnių. Gali kilti toliau nurodyti pavojai, todėl operatorius turi būti itin dėmesingas, kad išvengtų šių dalykų:

- Vibracijos sukeltas sužalojimas
 - Pjaukite naudodami mažiausią pjovimui reikiamą greičio nuostatą. Ribokite buvimą darbo aplinkoje. Žr. šio vadovo skyrių „Pavojaus mažinimas“.
- Dulkių sukeliama žala
 - Į akis ar kvėpavimo organus gali patekti dulkių. Būtinai dėvėti akių apsaugą. Dėvėkite atitinkamą apsaugos nuo dulkių kaukę su filtrais, tinkamais

apsaugoti nuo apdirbamos medžiagos dalelių. Darbo vietoje negalima valgyti, gerti ar rūkyti. Užtikrinkite tinkamą ventiliaciją.

- sužalojimas dėl elektros smūgio
 - Geležtė gali prisiliesti prie paslėptų laidų ir gaminio dalys gali tapti srovės laidininkais. Būtinai laikykite gaminį paėmę už specialiai skirtų rnkėnų ir atsargiai pjaukite sienas bei grindis, kur nesimato paslėptų kabelių.
- sužeidimai prisilietus prie geležčių
 - Geležtės labai aštrios ir pjanant įkaista. Keičiant geležtes, reikia mūvėti pirštines. Rankas būtinai reikia laikyti atokiai nuo pjovimo srities. Kai yra galimybė, ruošinį reikia suspausti.
- Triukšmo sukelta trauma
 - Triukšmas gali pakenkti klausai. Elektrinius įrankius naudojant ilgai, reikia dėvėti klausos apsaugines priemones.

RIZIKOS MAŽINIMAS

Turime pranešimų, kad vibracija nuo ranka laikomų įrankių kai kuriems asmenims gali turėti neigiamos įtakos vystantis Raynaud sindromui. Šios ligos požymiai yra pirštų dilgčiojimas, nutirpimas ir pabalimas, paprastai pasireiškiantis nuo šalčio. Šie simptomai vystosi dėl paveldimų veiksnių, nesisaugant nuo šalčio ir drėgmės, dėl mitybos, rūkymo ir darbo praktikos. Operatorius gali imtis šių priemonių, kurios gali sumažinti vibracijos poveikį:

- Apsirenkite kuo šilčiau šaltu oru. Naudojant gaminį, reikia mūvėti pirštines, kad pašaltos ir riešai neatšaltų. Turime pranešimų, kad Raynaud sindromas labiausiai vystosi nuo šalto oro sąlygų.
- po darbo kiekvieną kartą pasportuokite, kad pagerėtų kraujo apytaka;
- dažnai darykite darbo pertraukas. Apribokite darbo laikotarpį per dieną.

Jei jums pasireiškia kokie nors šios būklės simptomai, nedelsdami nutraukite darbą ir kreipkitės į gydytoją.

▲ ĮSPĖJIMAS

Ilgiau naudojant, įrankis kelia sužeidimų pavojų ir apsunkena darbą. Ilgiau naudojant įrankius, reikia reguliariai daryti pertraukas.

PRIEŽIŪRA

▲ ĮSPĖJIMAS

Nelaikykite įrankio prijungto prie elektros maitinimo šaltinio, kai montuojate detales, reguliuojate, valote, atliekate priežiūros darbus ar kai įrankis nėra naudojamas. Atjungę įrenginį nuo elektros tinklo išvengsite netyčinio paleidimo, kuris gali tapti sunkaus susižalojimo priežastimi.

▲ ĮSPĖJIMAS

Atlikdami techninę priežiūrą naudokite tik originalias gamintojo atsargines dalis, aksesuarus ir priedus. Kitų detalių naudojimas gali sukelti pavojų ar sugadinti prietaisą.

- Valydami plastikines detales, nenaudokite tirpikliu. Komerciniai tirpikliai lengvai pažeidžia daugelį plastikinių dalių paviršių ir gali jas apgadinti. Valydami purvą, anglies dulkes ir kt. naudokite švirią šluostę.

⚠ ĮSPĖJIMAS

Neleiskite stabdžių skysčiams, benziniui, naftos produktams, persisunkiantiems tepalams ir kt. susiliesti su plastikinėmis dalimis. Chemikalai gali pažeisti, susilpninti arba suardyti platiką ir dėl to galima rimtai susižaloti.

⚠ ĮSPĖJIMAS

Kad būtų saugiau ir patikimiau, visus remonto darbus turi atlikti įgaliotasis techninio aptarnavimo centras.

PAŽINKITE SAVO GRANDINĮ PJŪKLĄ

Žr. 123.psl.

Dalys

- Pjūklo geležtė
- Montavimo spaustuvas
- Peilio spaustuko svirtis
- Perjungiklio užrakinimo mygtukas
- Perjungiklis
- Rankena
- Baterijos jungtis

SIMBOLIAI ANT ĮRENGINIO



Pranešimas apie saugumą



Reguliariai ir prieš kiekvieną naudojimą tikrinkite, ar tinkamai užveržti visi sraigčiai, varžtai ir veržlės, kad užtikrintumėte saugą darbo aplinką. Vadovaukitės visais įspėjimais ir saugos taisyklėmis.



Dėvėkite klausos apsaugą.



Dėvėkite apsauginius akinius



Mūvėkite neslystančias, tvirtas apsaugines pirštines.



Dėvėkite kaukę.



Rankas laikykite toliau nuo geležčių.



Nenaudoti lyjant ar esant drėgnoms sąlygoms.



Garantuotas akustinis lygis 94 dB



Elektrinių produktų atliekos neturi būti metamos kartu su namų ūkio atliekomis. Prašome perdirbkite jas ten, kur yra tokios perdirbimo bazės. Dėl perdirbimo patarimo kreipkitės į savo vietinę savivaldybę ar pardavėją.



Šis prietaisas atitinka visas reglamentuotas normas ES šalies, kur jis buvo nupirktas.



„EurAsian“ atitikties ženklas.



Ukrainos atitikties ženklas

SIMBOLIAI VADOVE



Detalės arba priedai yra parduodami atskirai



Pastaba



Įspėjimas!



Mūvėkite neslystančias, tvirtas apsaugines pirštines.



Pavojus! Aštrus peilis



Greitis, minimalus



Greitis, maksimalus

Toliau pateikti signaliniai žodžiai skirti paaiškinti rizikos, susijusios su gaminiu, lygius:

⚠ PAVOJUS

Reiškia ypač pavojingą padėtį, kurios neišvengus bus patirti sunkūs ar net mirtini sužeidimai.

⚠ ĮSPĖJIMAS

Reiškia potencialiai pavojingą situaciją, kurios neišvengus galimi sunkūs ar net mirtini sužeidimai.

⚠ ATSARGIAI

Reiškia potencialiai pavojingą situaciją, kurios neišvengus galimi lengvi ar vidutinio sunkumo sužeidimai.

ATSARGIAI

(be įspėjamojo šauktuko) Reiškia situaciją, kurioje galima sugadinti turą.



Juhtmeta oksasae juures on peetud esmatähtsaks ohutust, töövõimet ja töökindlust.

OTSTARBEKOHANE KASUTAMINE

Juhtmeta oksasaaagi tohivad kasutada täiskasvanud, kes on lugenud kasutusjuhendit ja saavad aru selles olevatest juhistest ja hoiatustest, ning kes vastutavad oma tegevuse eest.

See seade on ette nähtud kasutamiseks vaid väljaspool ruume, hästiventileeritud kohas.

Toode on mõeldud kuni 80 mm läbimõõduga noorte puuokste lõikamiseks ja kärpimiseks.

Kasutamise ajal hoitakse toodet käes. Toodet tohib kinnitada tööpingi külge vaid siis, kui selle teostamiseks on olemas tootja konkreetsed juhised.

Ärge kasutage ühekski muuks otstarbeks.

ELEKTRITÖÖRIISTADE OHUTUSE ÜLDESKIRJAD

⚠ HOIATUS

Lugege läbi kõik tootega kaasasolevad ohutusjuhised, illustatsioonid ja spetsifikatsioonid. Alpool esitatud hoiatuste ja juhiste eiramise puhul on oht saada elektrilööki või raskeid kehavigastusi ning/või tekitada tulekahju.

Hoidke kõik hoiatused ja juhised tulevikus vaatamiseks alles.

Hoiatustes kasutatav termin „elektritööriist“ tähendab mehaanilist tööriista, mis saab toidet elektrivõrgust (juhtmega) või akust (ilma juhtmega).

TÖÖKOHT

- Hoidke töökoht puhas ja hästi valgustatud. Korrastamata ja pimedas kohas töötamisel võivad juhtuda õnnetused.
- Ärge kasutage elektritööriistu plahvatusohtlikes keskkondades, näiteks kergestisüttivate vedelike ja gaaside läheduses ega tolmuses kohas. Elektritööriistad tekitavad sädemeid, mis võivad tolmu või auru süüdata.
- Elektritööriistaga töötamisel hoidke lapsed ja kõrvalised isikud eemal. Tähelepanu hajumise korral võib teil kontroll kaduda.

ELEKTRIOHUTUS

- Elektritööriistade pistikud peavad pistikupesast sobima. Ärge püüdke pistiku konstruktsiooni mingil moel muuta. Ärge ühendage maanduskontaktiga (kordusmaandusega) elektritööriistu elektrivõrku läbi vahepistmike. Pistiku ja pistikupesast konstruktsiooni muutmise korral tekib elektrilöögi oht.
- Hoiduge kehalisest kontaktist maandatud pindadega, näiteks torud, radiaatorid, elektripliidid ja külmikud. Kehaosade maandamisel suureneb elektrilöögi saamise oht.
- Ärge jätke kultivaatorit vihma kätte või märga kohta. Vee sattumisel elektrilise tööriista sisemusse suureneb elektrilöögi saamise oht.

- Ärge kasutage toitejuhet mittesihipäraselt. Ärge kasutage toitejuhet tööriista kandmiseks, vedamiseks või pistikupesast väljatõmbamiseks. Hoidke toitejuhe eemal kuumusest, õlist, teravatest servadest ja liikuvatest osadest. Vigastatud või keerduvad toitekaablid suurendavad elektrilöögi ohtu.
- Väljas töötamisel kasutage välistingimustes kasutamiseks sobivaid pikendusjuhtmeid. Välistingimustele sobiva pikendusjuhtme kasutamine vähendab elektrilöögi ohtu.
- Kui elektritööriistaga töötamine niisketes oludes on vältimatu, siis kasutage rikkevoolu-kaitselülitiga (RCD) kaitstud vooluvõrku. RCD kasutamine vähendab elektrilöögi ohtu.

ISIKUKAITSE

- Mehaanilise tööriistaga töötamisel jälgige tööpiirkonda ja kasutage sealjuures tervet mõistust. Ärge kasutage tööriista siis, kui te olete väsinud, uimas, alkoholi või ravimite mõju all. Hetkeline tähelepanu hajumine tööriista kasutamise ajal võib põhjustada raske kehavigastuse.
- Kasutage isikukaitsevahendeid. Kandke alati silmakaitsevahendeid. Oludele vastavad kaitsevahendid, nagu tolmumask, libisemist takistavad turvajalatsid, kiiver või kuulmiskaitsemed, vähendavad kehaliisi vigastusi.
- Vältige tahtmatut käivitumist. Enne toitejuhtme või aku ühendamist, tööriista kätevtõstmist või teisaldamist veenduge, et tööriista lüliti on välja lülitatud. Õnnetuste vältimiseks ärge hoidke tööriista kandmise ajal sõrme lülitusnupul ega ühendage tööriista toitevõrku siis, kui lüliti on sisse lülitatud.
- Enne tööriista sisselülitamist eemaldage sellelt reguleerivõti või mutrivõti. Elektritööriista külge jäetud reguleerivõti või mutrivõti võivad põhjustada raske kehavigastuse.
- Ärge kummardage. Hoidke end pidevalt jalgadel ja tasakaalus. Siis on teil ootamatu olukorra tekkimisel tööriista üle parem kontroll.
- Kandke tööks sobivat riietust. Ärge kandke lõtvu riideid ja ehteid. Hoidke juuksed, riietusesemed ja töökindad liikuvatest osadest eemal. Lõdvad riietusesemed, ehted ja pikad juuksed võivad haakuda liikuvate osade külge.
- Kui tööriistal tuleb kasutada tolmu eraldamis- või kogumisseadisi, siis veenduge, et need on ühendatud ja nõuetekohases kasutuses. Tolmukoguri kasutamisega saab vähendada tolmuga seotud ohtusid.
- Ärge muutuge hooletuks ega ignoreerige tööriista ohutusnõudeid, kui te seadet juba tunnete ja olete seda tihti kasutanud. Hooletu tegutsemine võib põhjustada raske kehavigastuse mõne sekundi murdosa jooksul.

ELEKTRITÖÖRIISTA KASUTAMINE JA KORRASHOID

- Ärge kasutage töötamisel liigset jõudu. Kasutage tööks sobivat elektritööriista. Õigesti valitud elektritööriist töötab ettenähtud võimsuspiirkonnas paremini ja ohutult.
- Ärge kasutage elektritööriista, kui lüliti ei lülita seda



sisse ja välja. Lülitiga lülitamatu tööriista kasutamine on ohtlik ja see tuleb lasta ära remontida.

- Enne tööriista reguleerimist, tarvikute vahetamist või hoostamist võtke toitejuhe pistikupesast välja või eemaldage aku. Need ennetavad ohutusmeetmed vähendavad tööriista tahtmatu käivitumise riski.
- Hoidke kasutuses mitteolevaid elektritööriistu lastele kättesaamatus kohas ja ärge lubage elektritööriista mitte tundvaid või kasutusjuhendiga mitte tutvunud isikuid elektritööriista kasutada. Oskamatu kasutaja käes olev elektritööriist on ohtlik.
- Mehaaniliste elektritööriistade hooldus. Kontrollige liikuvate osade mittetsentreeritust ja kinnitumist, osade vigastusi ning tehke kindlaks muud seisundid, mis võivad mõjustada elektritööriista tööd. Kui mõni osa on vigastatud, siis laske elektritööriist enne kasutamist ära parandada. Halvasti hooldatud elektritööriistad põhjustavad palju õnnetusi.
- Hoidke lõiketerad teravad ja puhtad. Teravate lõiketeradega ja nõuetekohaselt hooldatud lõikeriistad jäävad harvemini kinni ning neid on kergem kontrolli all hoida.
- Tööriistade, tarvikute, otsakute ja muude lisaseadmete kasutamisel juhenduge nende kasutusjuhenditest, võttes arvesse tehtavat tööd ja tööolusid. Tööoperatsiooniks mitte ettenähtud tööriista kasutamine võib tekitada ohtliku olukorra.
- Hoidke tööriista käepidemed ja haardepinnad kuivana, puhtana ja ärge laske neile sattuda õli või määret. Libedad käepidemed ja haardepinnad ei võimalda tööriista turvaliselt haarata ja ootamatutes olukordades kontrollida.

AKUTÖÖRIISTA KASUTAMINE JA KORRASHOID

- Laadige akut ainult tootja poolt ettenähtud laadijaga. Akulaadijaja, mis sobib ühele akupaketile võib põhjustada tulekahju, kui seda kasutada teise akupaketiga.
- Kasutage akutööriista ainult selleks ettenähtud akudega. Muude akupaketite kasutamine võib põhjustada kehavigastusi või tulekahju.
- Sel ajal kui akupakett ei ole kasutusel, hoidke seda eemal metallesemetest nagu kirjaklambrid, mündid, võtmed, naelad, kruvid ja muudest väikestest metallobjektidest, mis võivad akuklemmid lühistada. Aku klemmide lühistamine võib põhjustada põletust või tulekahju.
- Aku vale kasutamise korral võib akuvedelik välja voolata - vältige sellega kokkupuudet. Akuvedeliku nahale sattumisel peske see veega maha. Akuvedeliku silma sattumisel pöörduge arsti poole. Väljapritsvitud akuvedelik võib tekitada nahaärritust või põletust.
- Ärge kasutage vigast või ümbertehtud akut ega tööriista. Vigased või ümbertehtud akud võivad toimida ettearvatult, mille tagajärjeks on tulekahju, plahvatus või vigastuste oht.
- Ärge jätke akut või tööriista tule lähedale ega liiga kõrge temperatuuri kätte. Tuli või temperatuur üle 130

°C võib põhjustada plahvatust.

- Järgige kõiki laadimisjuhiseid ning ärge laadige akut ega tööriista väljaspool juhistes määratletud temperatuurivahemikku. Vale laadimine või laadimine väljaspool määratletud temperatuurivahemikku võib akut rikkuda ja suurendada tulekahju ohtu.

TEENINDAMINE

- Laske oma elektrilist tööriista hooldada väljaõppinud teenindustöötajal; remontimisel tohib kasutada ainult originaalvaruosi. See tagab elektriseadme ohutuse.
- Ärge kunagi remontige vigast akut. Vigast akut tohivad remontida vaid tootja või volitatud hooldustöötajad.

JUHTMETA OKSASAE OHUTUSJUHISED

- Töötamisel kohtades, kus lõikeriist võib kokku puutuda varjatud elektrijuhtmetega, hoidke tööriista kinni ainult isoleeritud käepidemetest. Kui kinnitusedetail või puur satub kontakti pingele all olevate juhtmetega, jäävad tööriista isoleerimata metallosad pingele alla ja kasutaja võib saada elektrilöögi.
- Kinnitage toorik kindlale alusele kasutades pitskruvi või muu kinnitiga kinnitamist. Tooriku käega kinnihoidmisel või enda keha vastas hoidmisel ei ole see kindlalt paigal ja võib põhjustada kontrolli kaotamise tööriista üle.
- Hoidke käed lõikeulatusest eemal. Ärge sirutage oma kätt tooriku alla. Kokkupuude saeteraga võib põhjustada vigastusi.
- Saetera paigaldamisel kandke kaitsekindaid. Saetera puudutades on oht end vigastada.
- Kui te vahetate saetera, ärge hoidke toodet nii, et üks käsi on kas sisse/välja lülitil ja päästikul või nende läheduses. Kui sisse/välja lülitil kogemata sisse lülitada, on oht end vigastada.
- Saelehe vahetamisel tagage, et saelehe hoidikusse ei satu materjalijääke, näiteks saepuru või metallilaste.
- Saagimise ajal hoidke toodet käepidemest ühe käega tugevalt kinni.
- Saagimise ajal ärge puudutage konksu, saetera ega õhuavasid.
- Pärast saagimist võib saetera kuum olla. Enne selle katmist laske saeteral maha jahtuda.
- Kasutage seadme kasutamise ajal tolmu kogumisseadet või ühendage sellele tolmuimeja.
- Teave lõikevõimsuse kohta.
- Juhend tööriista reguleerimiseks saetera eri asendite korral (kui see on asjakohane).
- Kui toode kiilub kinni, taaskäivitub see automaatselt. Kui toode kiilub kinni, lülitage see otsekohe välja. Ärge lülitage toodet uuesti sisse, kui see on kinni kiilunud, vastasel korral võib tekkida ootamatu tugeva reaktsioonijõuga tagasipõrge. Tehke kindlaks, miks toode kinni kiilub ja kõrvaldage selle põhjus, sealjuures pidage kinni ohutusjuhistest.
- Tööriista (toote) ümbritseva keskkonna temperatuur töö ajal jääb vahemikku 0°C–40°C.



- Tööriista ümbritseva keskkonna temperatuur säilituse ajal on vahemikus 0°C–40°C.
- Selle laadimissüsteemi soovitatav ümbritseva keskkonna temperatuur laadimise ajal on vahemikus 10°C–38°C.

AKU LISAOHUTUSJUHISED

⚠ HOIATUS

Lühisest põhjustatud tuleohtu, vigastuste või toote kahjustuste vältimiseks ärge kastke tööriista, vahetusakut ega laadimisseadet vedelikku ning jälgige, et vedelikke ei tungiks seadmesse ega akusse. Korrodeeruvad või elektrit juhtivad vedelikud, nagu soolvesi, teatud kemikaalid ja pleegitusained või pleegitusaineid sisaldavad tooted, võivad põhjustada lühist.

- Akut ümbritseva keskkonna temperatuur kasutamise ajal on vahemikus 0°C–40°C.
- Akut ümbritseva keskkonna temperatuur ladustamise ajal on vahemikus 0°C–20°C.
- Sortige elektroonikaseadmete jäätmed ja eemaldage sisseehitatud akupaketid seadmest enne utiliseerimist. Andke akud selleks ettenähtud kogumispunktidesse.
- Integreeritud aku eemaldamiseks keerake korpuseid ühendavad kruvid lahti. Ühendage akupakett vooluahelast lahti ja võtke välja.
- **MÄRKUS.** Pärast avamist ei ole seade enam kasutatav ega remonditav ja tuleb nõuetekohaselt utiliseerida.
- Enne akupaketi tööriistast eemaldamist lülitage seade sisse ja laske akul tühjeneda.
- Olge ettevaatlik, et utiliseeritav akupakett ei satuks kokkupuutesse teiste patareide, akupakettide või elektrit juhtivate materjalidega ja isoleerige nende lahtised voolujuhid või katke voolu mittejuhtivate küberate või teibiga.

LIITIUMAKUDE TEISALDAMINE

Akude transportimisel juhinduge kasutuskohas kehtivatest riiklikest määrustest ja eeskirjadest.

Akude transportimisel allettevõtjate poolt järgige kõiki pakkimise ja tähistamise erinõudeid. Veenduge, et akud ei satu kokkupuutesse teiste akude ega voolu juhtivate materjalidega, kui avatud klemmid on transportimise ajal kaitstud voolu mittejuhtivate isoleerkorkide või teibiga. Ärge transportige pragunenud või lekivaid akusid. Küsige lisateavet transportettevõtelt.

JÄÄKRISKID

Isegi siis, kui kultivaatorit kasutatakse kirjeldatud viisil, ei ole võimalik kõrvaldada kõiki jääkriskide mõjureid. Töötamise ajal võivad tekkida järgmised ohud, millele operaator peab pöörama erilist tähelepanu.

- Vibratsioonist põhjustatud kehavigastus
 - Kasutage löikamiseks madalaimat sobivat kiirust. Piirake kokkupuudet. Vt kasutusjuhendi osa "Ohu vähendamine".

- Tolmust põhjustatud kehavigastus
 - Tolm võib silma või hingamissüsteemi sattuda. Kandke alati silmakaitsevahendeid. Kasutage sobivat tolumumaski, mille filtrid kaitsevad lõigatava materjali osakeste eest. Ärge töökohal sööge, jooge ega suitsetage. Tagage piisavalt hea ventilatsioon.
- elektrilöögist põhjustatud vigastus
 - Lõiketera võib sattuda kokkupuutesse varjatud juhtmetikuga ja seadme osad satuvad pingele alla. Hoidke seadet alati ettenähtud käepidemetest ja olge ettevaatlik varjatud kaablite suhtes, kui teete sisselõikeid seintesse ja põrandatesse.
- lõiketerade kokkupuutest tingitud kehavigastus
 - Saelehed on väga teravad ja kuumenevad kasutamise ajal. Kandke saelettude vahetamise ajal kaitsekindaid. Hoidke käed alati lõikamispiirkonnast eemal. Võimaluse korral kinnitage toorik kruustangide vahele.
- Mürast põhjustatud vigastus
 - Müra võib kuulmist kahjustada. Kui kasutate tööriista pika ajaperioodi vältel, kandke kuulmiskaitsevahendeid.

RISKI ALANDAMINE

Teadaolevalt võib käsitööriistade kasutamine põhjustada mõnedel inimestel seisundit, mida nimetatakse Raynaud' sündroomiks. Sümptomidena võib ilmnedä sõrmede tuimus ja valkjaks muutumine, mis tavaliselt ilmneb külmas töötamisel. Nende sümptomite puhul tuleb hoiduda külmast ja niiskusest, dieedist ning suitsetamisest ja kasutada õigeid tööväiteid. Vibratsiooni mõju vähendamiseks tuleb rakendada järgmisi abinõusid.

- Külma ilmaga hoidke oma keha soe. Kandke kindaid, et hoida oma käed ja randmed soojad. Uuringud näitavad, et Raynaud's Syndrome ilmneb põhiliselt külma ilmaga.
- Pärast külmas töötamist tehke harjutusi, et verevarustust kiirendada.
- Tehke regulaarselt töovaheaegasid. Piirake tööperioodi pikkust.

Kui ilmnevad haigustunnused, lõpetage kohe töö ja pöörduge arsti poole.

⚠ HOIATUS

Seadme pikaajalisel kasutamisel võite saada kehavigastusi ja varasemad vigastused võivad süveneda. Seadme kasutamisel pika aja jooksul tuleb teha korralisi vaheaegasid.

HOOLDUS

⚠ HOIATUS

Masina kokkupanekul, reguleerimisel, puhastamisel, hooldamisel ja töovaheagadel tuleb lihvasin elektrivõrgust lahti ühendada. Toote eemaldamine toitevõrgust hoiab ära ootamatu käivitumise, mis võib põhjustada raskeid vigastusi.



⚠ HOIATUS

Kasutage ainult tootja originaalvaruosi ja -tarvikuid. Muude osade kasutamine võib luua ohuolukorra või põhjustada toote kahjustumist.

- Vältige plastosade puhastamisel lahustite kasutamist. Enamik plastikuud on erinevat tüüpi poes müüdavate lahuste kahjustuste suhtes altid ja võivad saada neid kasutades kahjustatud. Tolmust, õlist, määrdest ja muust mustusest puhastamiseks kasutage puhast riidelappi.

⚠ HOIATUS

Ärge laske plastosadel mitte mingil juhul sattuda kokkupuutesse auto pidurivedeliku, bensiini, bensiinipõhiste toodete, immutusõlidega või muude samalaadsete vedelikega. Kemikaalid võivad plaste rikkuda, nõrgendada või neile hävitavalt mõjuda, mis võib põhjustada raske kehavigastuse.

⚠ HOIATUS

Kõik remonttööd tuleb lasta teha volitatud hoolduskeskuses, et tagada masina ohutus ja töövõime.

ÕPPIGE OMA TOODET TUNDMA

Vt leht 123.

Seadme osad

1. Saetera
2. Hoidik
3. Saetera klambri hoob
4. Päästiku lukustusnupp
5. Päästik
6. Käepide
7. Akuterminal

MASINAL OLEVAD SÜMBOLID



Ohutusallane teave



Enne toote kasutamist lugege läbi ja tehke endale selgeks kõik juhised. Järgige kõiki hoiatusi ja tööohutuseeskirju.



Kasutage kõrvklappe.



Kandke silmakaitsevahendeid



Kandke libisemiskindlaid, tugevdatud kaitsekindlaid.



Kandke näomaski.



Hoidke käed lõiketeradest eemal.



Ärge jätke vihma kätte või kasutage niiskes kohas.



Garanteeritud helivõimsuse tase 94 dB



Mittekasutatavaid elektritooteid ei tohi visata olmejäätmete hulka. Vaid tuleb viia vastavasse kogumispunkti. Vajadusel küsige sellekohast nõu oma edasimüüjalt või vastavalt kohaliku omavalitsuse institutsioonilt.



Vastab kõigile eeskirjadele EL-i liikmesriigis, kus toode on ostetud.



Euraasia vastavusmärk.



Ukraina vastavusmärgis

KASUTUSJUHENDI SÜMBOLID



Eraldi ostetavad osad või tarvikud



Märkus



Hoiatus



Oht! Terav tera



Käik, minimaalne



Käik, maksimaalne

Järgnevad märksõnad ja selgitused on mõeldud selle toote kasutamisega seotud riskitasemetes kirjeldamiseks.

⚠ OHT.

Viitab kohe tekkivale ohtlikule situatsioonile, mis, kui ei väldita, lõpeb surma või tõsise vigastusega.

**HOIATUS**

Viitab võimalikule ohtlikule situatsioonile, mis, kui ei väldita, võib lõppeda surma või tõsise vigastusega.

**ETTEVAATUST**

Viitab võimalikule ohtlikule situatsioonile, mis, kui ei väldita, võib lõppeda väiksemate või keskmiste vigastusega.

ETTEVAATUST

(Ilma ohutussümbolita) Viitab olukorrale, mis võib põhjustada kahjustusi varale.



Vodeću ulogu u dizajnu vaše akumulatorske pile za orezivanje imaju sigurnost, performanse i pouzdanost.

NAMJENA

Akumulatorsku pilu za orezivanje smiju koristiti samo odrasle osobe koje su pročitale i razumjele upute i upozorenja u ovom priručniku i koje se mogu smatrati odgovornima za svoje postupke.

Ovaj uređaj namijenjen je samo za korištenje na otvorenom u dobro prozračenom prostoru.

Proizvod je osmišljen za rezanje i kresanje malih ekstremiteta i grana promjera manjeg ili jednakog 80 mm.

Proizvod je namijenjen za ručnu uporabu. Proizvod se ne smije montirati na radni stol osim ako smijevodač proizvoda ne da posebne i specifične upute o tome kako to učiniti.

Nemojte koristiti oštricu u nikakvu drugu svrhu.

OPĆA SIGURNOSNA UPOZORENJA ZA ELEKTRIČNI ALAT

UPOZORENJE

Pročitajte i pregledajte sve sigurnosne upute, slike i specifikacije isporučene uz ovaj proizvod. Nepoštovanje svih uputa može dovesti do električnog udara, požara i/ili teškim osobnim ozljedama.

Sačuvajte ova upozorenja i upute kako biste ih naknadno mogli konzultirati.

Pojam „električni alat“ u upozorenjima odnosi se na vaš glavni alat (napajanje preko kabela) ili električni alat koji se napaja preko baterije (bez kabela).

RADNA OKOLINA

- **Držite radni prostor čistim i dobro osvijetljenim.** Zatrpani i neosvijetljeni radni prostori izazivaju nezgode.
- **Nemojte rukovati električnim alatima u eksplozivnim atmosferama u kojima su prisutne zapaljive tekućine, plinovi ili prašina.** Električni alati stvaraju iskre koje mogu zapaliti prašinu ili pare.
- **Tijekom rada s električnim alatom držite podalje djecu i promatrače.** Ometanje može dovesti do toga da izgubite kontrolu.

ELEKTRIČNA SIGURNOST

- **Utikači električnog alata moraju odgovarati utičnici.** Nikada nemojte modificirati utikače ni na koji način. Nemojte koristiti nikakve adapter utikače s uzemljenim električnim alatima. Originalni utikači i odgovarajuće utičnice smanjuju opasnost od strujnog udara.
- **Izbjegavajte kontakt tijela s uzemljenim površinama poput cijevi, radijatora, štednjaka i hladnjaka.** Ako je vaše tijelo uzemljeno, povećava se opasnost od strujnog udara.
- **Nemojte proizvod izlagati kiši ili vlažnim uvjetima.** Ulazak vode u električni alat povećava opasnost od strujnog udara.
- **Nemojte zlorabiti kabel.** Nikada nemojte koristiti

kabel za nošenje, povlačenje ili isključivanje električnog alata. Držite kabel podalje od topline, ulja, oštih rubova ili pokretnih dijelova uređaja. Oštećeni ili zapleteni kabeli povećavaju opasnost od strujnog udara.

- **Kada radite s električnim alatom na otvorenom, koristite produžni kabel prikladan za rad na otvorenom.** Korištenje kabela prikladnog za rad na otvorenom smanjuje opasnost od strujnog udara.
- **Ako se ne može izbjeći rad s električnim alatom u vlažnoj lokaciji koristite FID sklopku (RCD uređaj) za zaštitu napajanja.** Korištenje RCD uređaja smanjuje opasnost od električnog udara.

OSOBNJA SIGURNOST

- **Budite na oprezu, gledajte to što radite i pri radu s električnim alatom koristite zdrav razum.** Nemojte koristiti električni alat kad ste umorni ili pod utjecajem droge, alkohola ili lijekova. Trenutak nepažnje pri radu s električnim alatima može dovesti do teških osobnih ozljeda.
- **Koristite osobnu zaštitnu opremu. Uvijek nosite zaštitna sredstva za oči.** Zaštitna oprema poput maske za zaštitu od prašine, protukliznih sigurnosnih cipela, kacige, ili opreme za zaštitu sluha korištena u odgovarajućim uvjetima smanjit će tjelesne ozljede.
- **Spriječite slučajno pokretanje. Osigurajte da je prije priključivanja na izvor napajanja i/ili baterije, podizanja ili nošenja alata, sklopka u položaju OFF (isključeno).** Nošenje električnog alata s vašim prstom na sklopki ili uključivanje električnih alata sa sklopkom postavljenom na položaj on (uključeno) dovodi do nezgoda.
- **Prije uključivanja električnog alata uklonite sve klinove za podešavanje i ključeve.** Ključ ili klin ostavljen priključen na rotirajućem dijelu električnog alata može dovesti do osobne ozljede.
- **Ne sežite preko određene granice.** Cijelo vrijeme držite pravilno uporište i ravnotežu. Ovo u neočekivanim situacijama omogućuje bolju kontrolu nad električnim alatom.
- **Pravilno se odjenite.** Nemojte nositi široku odjeću ili nakit. Kosu, odjeću i rukavice držite podalje od pokretnih dijelova. Široka odjeća, nakit ili dugačka kosa mogu biti zahvaćeni u pokretne dijelove alata.
- **Ako su uređaji opremljeni s priključkom aparata za odvajanje i prikupljanje prašine, osigurajte da su oni priključeni i pravilno korišteni.** Korištenje uređaja za sakupljanje prašine smanjuje opasnosti vezane uz prašinu.
- **Nemojte dopustiti da vas poznavanje alata zbog česte uporabe opusti toliko da zanemarite sigurnosne principe rukovanja alatom.** Nepažljiv rad može uzrokovati ozbiljne povrede unutar djelića sekunde.

KORIŠTENJE I BRIGA O ELEKTRIČNOM ALATU

- **Nemojte proizvod koristiti iznad njegovih mogućnosti.** Za vašu primjenu koristite točan električni alat. Točan električni alat bolje će i sigurnije uraditi posao u odnosu za što je namijenjen.





- **Nemojte koristiti električni alat ako ga sklopka pravilno ne uključuje i isključuje.** Svaki električni alat koje se ne može kontrolirati pomoću sklopke je opasan i mora se popraviti.
- **Prije nego što izvršite bilo kakva podešavanja, zamijenite dodatni pribor ili pohranite električne alate, odspojite utikač iz izvora napajanja i/ili bateriju iz električnog alata.** Ovakve preventivne sigurnosne mjere smanjuju opasnost od slučajnog pokretanja električnog alata.
- **Električne alate pohranite u stanju mirovanja izvan dohvata djece i ne dopustite rad s električnim alatom osobama koje nisu upoznate s električnim alatom ili ovim uputama.** Električni alati su opasni u rukama nestručnih korisnika.
- **Održavanje električnih alata.** Provjerite radi pogrešnog poravnjanja ili savijanja pokretnih dijelova, puknuća dijelova i drugih uvjeta koji mogu utjecati na rad električnog alata. Ako je oštećen, električni alat prije korištenja popravite. Većina nezgoda uzrokovano je od strane električnih alata koji su slabo održavani.
- **Rezne alate držite oštrim i čistim.** Pravilno održavanim reznim alatima s oštrim rubovima za rezanje, manja je vjerojatnost zahvaćanja i lakše se kontroliraju.
- **Koristite električni alat, pribor i dijelove alata itd., u skladu s ovim uputama i uzevši u obzir radne uvjete i rad koji treba izvršiti.** Korištenje električnog alata za radove drugačije od njegove namjene može dovesti do opasne situacije.
- **Održavajte ručke i površine hvata suhim, čistim i da na njima nema ulja i masti.** Skliske ručke i površine za hvatanje ne omogućuju sigurno rukovanje i kontrolu alata u neočekivanim situacijama.

KORIŠTENJE I BRIGA O AKU ALATU

- **Punite samo s punjačem navedenim od proizvođača.** Punjač koji je prikladan za jednu vrstu baterija može dovesti do opasnosti od požara kada se koristi s drugom baterijom.
- **Koristite AKU alate samo s posebno naznačenim baterijama.** Korištenje bilo kojih drugih baterija dovodi do opasnosti od ozljeda i požara.
- **Kada se baterija ne koristi držite je dalje od drugih metalnih predmeta kao što su spajalice za papir, kovanice, ključevi, čavli, vijci ili drugi mali metalni predmeti koji mogu spojiti jedan pol na drugi.** Kratki spoj polova baterije može izazvati opekotine ili požar.
- **Pod uvjetima loma može doći od izbacivanja tekućine iz baterije, izbjegavajte kontakt. Ako dođe do nehotičnog kontakta, isperite to mjesto s vodom. Ako tekućina dospije u oči, dodatno potražite liječničku pomoć.** Tekućina koja istječe iz baterije može dovesti do iritacije ili opekotina.
- **Nemojte koristiti bateriju ili alat koji su oštećeni ili modificirani.** Oštećene ili modificirane baterije mogu imati nepredvidivo ponašanje, što može dovesti do požara, eksplozije ili rizika od tjelesnih ozljeda.
- **Nemojte izlagati baterijski sklop ili alat vatri ili visokoj temperaturi.** Izlaganje vatri ili temperaturi višoj

od 130°C može dovesti do eksplozije.

- **Slijedite sve upute za punjenje i nemojte puniti bateriju ili alat na temperaturama izvan temperaturnog raspona specificiranog u uputama.** Nepravilno punjenje ili punjenje na temperaturama izvan specificiranog raspona može oštetiti bateriju i povećati rizik od požara.

ODRŽAVANJE

- **Neka vaš električni alat servisira kvalificirana osoba za popravak koristeći samo identične zamjenske dijelove.** Ovo će osigurati da se održi sigurnost električnog alata.
- **Nikada nemojte popravljati oštećene baterije.** Popravak oštećenih baterija smije izvoditi isključivo proizvođač ili ovlašteni servisni centar.

SIGURNOSNA UPOZORENJA AKUMULATORSE PILE ZA OREZIVANJE

- Kad izvodite radove na mjestima gdje pribor za rezanje može doći u kontakt sa skrivenim ožičenjem ili svojim vlastitim kabelom, držite alat za izoliranu površinu za hvatanje. Dodirivanje „žive“ žice priborom za rezanje može izložiti metalne dijelove alata električnoj energiji i može dovesti do strujnog udara na operatera.
- Koristite spojnice ili neki drugi način osigurajte i poduprite izradak na stabilnoj površini. Držanje izratka rukom ili tijelom omogućuje nestabilnost i može dovesti do gubitka kontrole.
- Ruke držite podalje od opsega piljenja. Ne posežite ispod izratka. Kontakt s listom pile može dovesti do ozljeđivanja.
- Pri montiranju lista pile nosite zaštitne rukavice. Postoji opasnost od ozljeđivanja prilikom dodirivanja lista pile.
- Proizvod nemojte držati s jednom rukom na njemu ili oko prekidača za uključivanje/isključivanje kada mijenjate list pile. Postoji opasnost od ozljeđivanja prilikom nenamjernog okretanja prekidača za uključivanje/isključivanje.
- Prilikom zamjene oštrice pile, osigurajte da je držač oštrice pile bez ostataka materijala, kao što je drvo ili metal.
- Dok pilite, proizvod držite čvrsto jednom rukom.
- Dok pilite ne dirajte kuku, list pile ili otvore za zrak.
- List pile može postati vruć nakon piljenja. Pustite da se list pile ohladi prije nego što ga dotaknete.
- Koristite proizvod za prikupljanje prašine ili spojite usisavač za izvlačenje prašine kad proizvod radi.
- Informacije koje se odnose na kapacitet piljenja.
- Upute o načinu namještanja alata za različite položaje pile, ako je primjenjivo.
- U slučaju zastoja u radu proizvod će se automatski ponovno pokrenuti. Ako proizvod zastaje u radu, odmah ga isključite. Nemojte ponovno uključivati proizvod dok je proizvod u zastoju, pošto tako možete uzrokovati naglo odbijanje i odskakanje proizvoda sa snažnom reaktivnom silom. Odredite zašto dolazi do zastoja u radu proizvoda i ispravite to, obračunajući pažnju na sigurnosne upite.





- Raspon temperatura okoliša za alat (proizvod) za vrijeme rada je između 0°C i 40°C.
- Raspon temperatura okoliša za pohranu alata je između 0°C i 40°C.
- Preporučena temperatura okoliša za sustav punjača za vrijeme punjenja je između 10°C i 38°C.

DODATNA SIGURNOSNA UPOZORENJA ZA BATERIJU

UPOZORENJE

Zbog izbjegavanja opasnosti od požara jednim kratkim spojem, opasnosti od ozljeda ili oštećenja proizvoda, alat, izmjenjivi akumulator ili napravu za punjenje ne uronjavati u tekućine i pobrinite se za to, da u uređaje ili akumulator ne prodiru nikakve tekućine. Korozirajuće ili vodljive tekućine kao slana voda, određene kemikalije i sredstva za bijeljenje ili prozvoditi koji sadrže sredstva bijeljenja, mogu prouzročiti kratak spoj.

- Raspon temperatura okoliša za bateriju za vrijeme uporabe je između 0°C i 40°C.
- Raspon temperatura okoliša za pohranu baterije je između 0°C i 20°C.
- Pravilno odvojite elektronički otpad uklanjanjem ugrađenih baterija iz glavne jedinice prije odlaganja. Odnosite ih do odgovarajućih točka za prikupljanje.
- Kako biste skinuli ugrađeni baterijski sklop, odvojite ljuske kućišta jedne od drugih skidajući vijke. Odspojite baterije iz strujnog kruga i uklonite.
- **NAPOMENA:** Kad se otvori, proizvod se više ne može koristiti ili servisirati i treba ga pravilno odložiti.
- Prije uklanjanja baterije iz AKU-alata, isključite proizvod prije nego je baterija potpuno ispražnjena.
- Osigurajte da odložena baterija ne može doći u kontakt s drugim baterijama ili provodnim materijalima tako da zaštitite izložene priključke s izolacijom, kapticama koje ne provode energiju ili trakom.

TRANSPORTIRANJE LITIJUMSKIH BATERIJA

Transportirajte bateriju u skladu s lokalnim i nacionalnim pravima i zakonima.

Slijedite sve specijalne zahtjeve na pakiranju i naljepnicama prilikom transporta baterije od treće strane. Osigurajte da baterija ne može doći u kontakt s drugim baterijama ili provodnim materijalima tijekom transporta tako da zaštitite izložene priključke s izolacijom, kapticama koje ne provode energiju ili trakom. Nemojte transportirati baterije koje su polomljene ili cure. Provjerite kod kompanije koji transportirate za daljnju pomoć.

OSTALE OPASNOSTI

Čak i kad je proizvod korišten kao što je prethodno opisano, još uvijek nije moguće potpuno isključiti ostale čimbenike opasnosti. Može doći do sljedećih opasnosti prilikom korištenja i operater mora obratiti posebnu pozornost kako bi izbjegao sljedeće:

- Ozljede uzrokovane vibracijom
 - Koristite postavku najmanje brzine koju postiže rezanje. Ograničite izloženost. Pogledajte poglavlje “Smanjenje rizika” u ovom priručniku.
- Ozljede uzrokovane prašinom
 - Prašina može ući u oči ili dišni sustav. Cijelo vrijeme nosite sredstva za zaštitu očiju. Nosite primjerenu masku za kontrolu prašine s filterima prikladnim za zaštitu od čestica rezanog materijala. Nemojte jesti, piti ili pušiti u radom području. Osigurajte odgovarajuće provjetranje.
- ozljeda prouzročena strujnim udarom
 - Oštrica može dotaknuti skriveno ožičenje uzrokujući da dijelovi proizvoda budu pod „naponom”. Uvijek proizvod držite za ručke i vodite brigu kod rezanja u zidovima i podovima gdje može biti skrivenih kabela.
- Ozljede od kontakta s pločom za rezanje
 - Oštrice su vrlo oštre i postaju vrlo vruće tijekom korištenja. Nosite rukavice tijekom izmjene oštrica. Držite ruke dalje od područja rezanja. Pričvrstite izradak gdje got je moguće.
- Ozljede uzrokovane bukom
 - Buka može oštetiti sluh. Kada koristite AKU alate za dulje vremensko razdoblje, nosite zaštitu za sluh.

SMANJENJE OPASNOSTI

Prijavljeno je da vibracije alata koje se drži u ruci kod određenih pojedinaca mogu doprinijeti stanju pod nazivom Raynaud's Syndrome. Simptomi mogu uključivati trnce, ukočenost i bjelinu prstiju, obično uočljivo po izlaganju hladnoći. Smatra se da nasljedne osobine, izlaganje hladnoći i vlazi, dijeta, pušenje i radni postupci pridonose razvoju ovih simptoma. Postoje mjere koje operator može poduzeti kako bi smanjio moguće učinke vibracije:

- Održavajte svoje tijelo toplim u hladnim vremenskim uvjetima. Kad radite s proizvodom nosite rukavice kako biste ruke i zglobove održavali toplima. Prijavljeno je da je hladnoća glavni čimbenik koji doprinosi Raynaud's Syndrome.
- Nakon svakog perioda rada vježbajte kako biste povećali cirkulaciju krvi.
- Uzimajte česte stanke u radu. Ograničite količinu izlaganja po danu.

Ako osjetite neke od simptoma ovog stanja, odmah prekinite korištenje i obratite se svome liječniku vezano uz ove simptome.

UPOZORENJE

Povrede mogu biti uzrokovane ili zadobivene produljenim korištenjem alata. Kada koristite bilo koji alat dulje vremena, osigurajte da uzimate povremene stanke.



ODRŽAVANJE

⚠ UPOZORENJE

Alat nikad ne smije biti priključen na izvor napajanja kada sastavljate dijelove, vršite podešenja, čistite, izvodite održavanje ili kada se alat ne koristi. Isključivanjem proizvoda s izvora napajanja sprečavaju se slučajna pokretanja proizvoda koja mogu prouzročiti ozbiljne tjelesne ozljede.

⚠ UPOZORENJE

Za servisiranje koristite zamjenske dijelove, dodatnu opremu i priključke isključivo originalnog proizvođača. Uporaba bilo kojeg drugog dijela može izazvati opasnost ili oštećenje proizvoda.

- Prilikom čišćenja plastičnih dijelova izbjegavajte koristiti kemijska sredstva. Većina plastičnih dijelova osjetljiva je na oštećenje različitim vrstama komercijalnih vrsta otapala i mogu se oštetiti njihovom uporabom. Za uklanjanje nečistoća, prašine, ulja masti i drugog upotrebljavajte čistu krpu.

⚠ UPOZORENJE

Nikada ne dopustite kontakt plastičnih dijelova s tekućinom za kočnice, benzinom, proizvodima na bazi petroleja, sredstvima za odmašćivanje, idr. Kemikalije mogu oštetiti, oslabiti ili uništiti plastiku što može dovesti do ozbiljnih osobnih ozljeda.

⚠ UPOZORENJE

Radi veće sigurnosti i pouzdanosti, sve popravke treba izvoditi ovlašteni servisni centar.

UPOZNAJTE SVOJ PROIZVOD

Pogledajte stranicu 123.

Dijelovi

1. Nož pile
2. Montažna stezaljka
3. Ručica stezaljke lista pile
4. Gumb za zaključavanje sklopke za pokretanje
5. Sklopka za pokretanje
6. Ručka
7. Priključak na bateriju

SIMBOLI NA PROIZVODU



Sigurnosno upozorenje



Prije rada s proizvodom morate pročitati i razumjeti sve upute. Slijedite sva upozorenja i sigurnosne upute.



Nosite sredstva za zaštitu sluha.



Nosite sredstva za zaštitu očiju



Nosite zaštitne rukavice velike debljine koje se ne kižu.



Nosite masku.



Držite ruke dalje od oštrica.



Ne izlažite kiši ili vlažnim uvjetima.



Jamčena razina zvučne snage 94 dB



Otpadni električni proizvodi ne treba da se odlažu s otpadom iz domaćinstva. Molimo da reciklirate gdje je to moguće. Potražite savjet od lokalnih vlasti ili prodavca kako reciklirati.



Ovaj alat usklađen je sa svim normama i propisima zemlje Europske unije u kojoj je kupljen.



EurAsian znak konformnosti.



Ukrajinska oznaka za sukladnost

SIMBOLI U OVOM PRIRUČNIKU



Dijelovi ili pribor prodan odvojeno



Napomena



Upozorenje



Opasnost! Oštar list pile



Brzina, minimalna



Brzina, maksimum



Sljedeće signalne riječi i značenja namijenjeni su objašnjenju razina opasnosti koje su vezane uz ovaj proizvod:

⚠ OPASNOST

Ukazuje na neposrednu opasnu situaciju, koja, ukoliko se ne izbjegne, može rezultirati smrću ili opasnim povredama

⚠ UPOZORENJE

Ukazuje na moguću opasnu situaciju, koja, ukoliko se ne izbjegne, može rezultirati smrću ili opasnim povredama

⚠ UPOZORENJE

Ukazuje na moguću opasnu situaciju, koja, ukoliko se ne izbjegne, može rezultirati manjim ili blažim povredama

UPOZORENJE

(Bez simbola upozorenja sigurnosti) Označava situaciju koja može izazvati oštećenje imovine

EN
FR
DE
ES
IT
NL
PT
DA
SV
FI
NO
RU
PL
CS
HU
RO
LV
LT
ET
HR
SL
SK
BG
UK
TR





Brezžična obrezovalna žaga je zasnovana in izdelana za zagotavljanje najvišje ravni varnosti, učinkovitosti in zanesljivosti delovanja.

NAMEN UPORABE

Brezžično obrezovalno žago lahko uporabljajo samo odrasli, ki so prebrali in razumejo navodila ter opozorila v tem priročniku in lahko odgovarjajo za svoja dejanja.

Izdelek je namenjen le za uporabo na prostem in v dobro zračenih prostorih.

Izdelek je zasnovan za rezanje in obrezovanje manjših vej največjega premera 80 mm.

Izdelek je zasnovan za ročno uporabo. Izdelek ni namenjen za namestitve na delovni pult, razen če proizvajalec izdelka navede posebna navodila glede načina tovrstne namestitve.

Za druge namene ga ne uporabljajte.

SPLOŠNA VARNOSTNA OPOZORILA ZA ELEKTRIČNA ORODJA

OPOZORILO

Preberite vsa varnostna opozorila, risbe in tehnične podatke, priložene tem izdelkom. Neupoštevanje spodaj navedenih navodil se lahko odrazi v električnem udaru, požaru in/ali hudih telesnih poškodbah.

Shranite vsa opozorila in navodila za kasnejšo uporabo.

Izraz »električno orodje« v opozorilih se nanaša na orodja, ki jih poganja električni tok (žična), ali na akumulatorska (brezžična) orodja.

DELOVNO OBMOČJE

- **Delovno območje naj bo čisto in dobro osvetljeno.** V neurejenih in temnih območjih se rade zgodijo nesreče.
- **Električnih orodij ne uporabljajte v eksplozivnih okoljih npr. v bližini vnetljivih tekočin, plinov ali prahu.** Električna orodja proizvajajo iskre, ki lahko vnamejo prah ali hlape.
- **Med uporabo električnega orodja v bližino ne pustite otrok in drugih ljudi.** Zaradi zmanjšane koncentracije lahko izgubite nadzor.

ELEKTRIČNA VARNOST

- **Vtiči električnih orodij se morajo prilegati vtičnicam. Vtiča nikoli in na noben način ne smete spreminjati. Z ozemljenimi električnimi orodji ne uporabljajte adapterjev vtiča.** Nespremenjeni vtiči in ustrezne vtičnice zmanjšajo tveganje električnega udara.
- **Izogibajte se telesnemu stiku z ozemljenimi površinami, kot so cevi, radiatorji, kuhalniki in hladilniki.** Če je vaše telo ozemljeno, obstaja povečano tveganje električnega udara.
- **Izdelka ne izpostavljajte dežju ali vlagi.** Voda v električnem orodju znatno poveča tveganje električnega udara.

- **Kabla ne uporabljajte za neustrezne namene. Kabla nikoli ne uporabljajte za prenašanje, vleko ali izklop električnega orodja. Pazite, da kabel ne pride v stik z vročino, oljem, ostrimi robovi ali gibljivimi deli.** Poškodovani ali zapleteni kabli zvišujejo tveganje električnega udara.
- **Med uporabo električnega orodja na prostem uporabljajte podaljševalni kabel, ki je primeren za zunanjo uporabo.** Uporaba kabla, primerne za zunanjo uporabo, znižuje tveganje električnega udara.
- **Če je delo z električnim orodjem v vlažnem okolju neizogibno, uporabite tokovno zaščitno stikalo (RCD).** Uporaba naprave RCD zmanjša tveganje za električni udar.

OSEBNA VARNOST

- **Med obratovanjem bodite pozorni, spremljajte potek dela in uporabljajte zdrav razum. Električnega orodja ne uporabljajte, ko ste utrujeni oz. pod vplivom drog, alkohola ali zdravil.** Trenutek nepazljivosti med uporabo električnega orodja lahko povzroči hude telesne poškodbe.
- **Uporabljajte osebno zaščitno opremo. Vedno nosite zaščito za oči.** Uporaba zaščitne opreme, na primer protiprašne maske, nedrsečih varnostnih čevljev, čelade ali zaščitne ušes v ustreznih pogojih zmanjša nevarnost telesnih poškodb.
- **Preprečite neželen zagon. Preden orodje priključite na vir napajanja, vstavite baterije, ga vzamete v roke ali prenašate, se prepričajte, da je stikalo v izključenem položaju.** Prenajanje električnih orodij, tako da prst držite na stikalu, ali dovajanje napajanja električnim orodjem, pri katerih je stikalo v položaju »on (vklop)« poveča tveganje nesreč.
- **Pred vklopom električnega orodja odstranite morebitne nastavitvene ključe ali izvijače.** Izvijač ali ključ, ki ostane pritrjen na vrtljivi del električnega orodja, lahko povzroči telesne poškodbe.
- **Nesiahajte priliš daleko. Pazite, da stojite stabilno in da imate ravnotežje.** To omogoča boljši nadzor nad električnim orodjem v nepričakovanih situacijah.
- **Bodite primerno oblečeni. Ne nosite ohlapnih oblačil ali nakita. Pazite, da lasje, oblačila in rokavice ne pridejo v bližino gibljivih delov.** Ohlapna oblačila, nakit ali dolgi lasje se lahko zapletejo v gibljive dele.
- **Če so naprave namenjene priključitvi na pripomočke za sesanje in zbiranje prahu, se prepričajte, da so ti priključeni in ustrezno uporabljeni.** Uporaba zbiralca prahu lahko zmanjša nevarnosti, povezane s prahom.
- **Pazite, da zaradi pogoste uporabe orodja ne postanete preveč samozavestni pri svojem delu in ne namenite pozornosti upoštevanju varnostnih načel uporabe.** Neprevidnost lahko že v delcu sekunde povzroči hudo poškodbo.

UPORABA IN NEGA ELEKTRIČNEGA ORODJA

- **Izdelka ne preobremenjujte. Uporabite električno orodje, ki ustreza vašemu delu.** Ustrezno električno orodje bo nalogo opravilo bolje in varneje v kategoriji, za katero je bilo zasnovano.





- **Ne uporabljajte električnega orodja, če ga stikalo ne vklopi ali izklopi, kot bi bilo treba.** Kakršno koli električno orodje, ki ga ni mogoče nadzirati s stikalom, je nevarno in ga je potrebno popraviti.
- **Odklopite vtič z vira napajanja in/ali baterije, preden opravljate kakršne koli prilagoditve, menjate dodatke ali shranjujete električno orodje.** Tovrstni preventivni varnostni ukrepi zmanjšajo možnost slučajnega zagona električnega orodja.
- **Električna orodja, ki niso v uporabi, shranjujte izven dosega otrok in ne dovolite, da bi električno orodje uporabljale osebe, ki niso seznanjene z električnim orodjem ali s temi navodili.** Električna orodja so v rokah neusposobljenih uporabnikov nevarna.
- **Električna orodja redno vzdržujte.** Preverite, če so gibljivi deli napačno poravnani ali zaskočeni, če so sestavni deli polomljeni ali če obstaja kakršno koli druge stanje, ki lahko vpliva na varno delovanje električnega orodja. Če je električno orodje poškodovano, ga pred ponovno uporabo dajte v popravilo. Številne nesreče zakrivajo neustrezno vzdrževana električna orodja.
- **Rezalna orodja naj bodo vedno nabrušena in čista.** Pravilno vzdrževana rezalna orodja z ostrimi rezili se težje zaskočijo in jih je lažje nadzirati.
- **Električno orodje, dodatke, nastavke za orodje itd. uporabljajte v skladu s temi navodili ter upoštevajte delovne pogoje in vrsto dela, ki ga boste izvajali.** Uporaba električnega orodja za namene, ki so drugačni od tistih, za katere je bilo orodje zasnovano, lahko povzroči nevarne situacije.
- **Ročaji in površine za prijem naj bodo suhe in čiste, na njih naj ne bo olja ter maščobe.** Če so ročaji ali površine za prijem spolzke, ni zagotovljeno varno rokovanje in upravljanje z orodjem v nepričakovanih situacijah.

UPORABA IN VZDRŽEVANJE BATERIJSKEGA ORODJA

- **Baterijo polnite le s polnilnikom, ki ga določa proizvajalec.** Polnilnik, ki ustreza eni vrsti baterij, morda lahko povzroči požar, če z njim polnite drugo vrsto baterij.
- **Baterijska orodja uporabljajte samo s predpisano vrsto baterij.** Uporaba katerih koli drugih baterij ustvari tveganje poškodb in požara.
- **Ko baterije ne uporabljajte, pazite, da bo odmaknjena od kovinskih predmetov, kot so papirne sponke, kovanci, ključi, žebliji, vijaki ali drugih majhni kovinski predmeti, ki bi lahko povzročili povezavo med obema terminaloma.** Kratak stik zaradi povezanih terminalov baterije lahko povzroči opeklino ali požar.
- **Ob zlorabi baterije lahko iz nje steče tekočina. Če se po nesreči dotaknete tekočine, mesto dotika sperite z vodo. Če pride tekočina v stik z očmi, poiščite zdravstveno pomoč.** Tekočina, ki izteče iz baterije, lahko povzroči vnetje ali opeklino.
- **Poškodovanega ali spremenjenega akumulatorja oziroma orodja ne uporabljajte.** Poškodovani ali spremenjeni akumulatorji lahko delujejo na nepredvidljiv način, kar lahko povzroči požar, eksplozijo ali nevarnost telesne poškodbe.

- **Akumulatorskega vložka ali orodja ne izpostavljajte ognju ali previsokim temperaturam.** Ob izpostavljenosti ognju ali temperaturam, višjim od 130 °C, lahko pride do eksplozije.
- **Dosledno upoštevajte navodila za polnjenje in akumulatorja oziroma orodja ne polnite izven temperaturnega razpona, predpisanega v navodilih.** Ob nepravilnem polnjenju oziroma polnjenju pri temperaturah izven predpisanega razpona se lahko poškoduje akumulator in poveča nevarnost požara.

SERVISIRANJE

- **Električno orodje naj servisira usposobljena oseba, uporabljati pa sme le originalne nadomestne dele.** To bo zagotovilo vzdrževanje varnostni električnega orodja.
- **Nikoli ne servisirajte poškodovanih akumulatorjev.** Akumulatorje lahko servisira samo proizvajalec ali pooblaščen serviser.

VARNOSTNA OPOZORILO ZA BREŽIČNO OBREZVALNO ŽAGO

- Električno orodje držite pri delu za izolirane držalne površine. Če se pripomočki za rezanje dotaknejo žice, ki je pod električno napetostjo, lahko izpostavljeni kovinski deli električnega orodja povzročijo električni udar.
- Uporabite sponke ali na drug način zavarujte obdelovanec na stabilno podlago in ga podprite. Če obdelovanec držite z roko ali s telesom, ne bo stabilen in lahko izgubite nadzor.
- Z rokami ne segajte v območje žaganja. Ne segajte pod obdelovanec. Stik z rezilom žage lahko povzroči telesne poškodbe.
- Med nameščanjem rezila žage nosite zaščitne rokavice. Če se dotaknete rezila žage, se lahko poškodujete.
- Med menjavo rezila žage ne držite izdelka v bližini stikala za vklop/izklop in sprožilca. Ob nenamernem vklopu stikala za vklop/izklop obstaja nevarnost telesne poškodbe.
- Ob menjavi lista je potrebno zagotoviti, da v držalu lista ni ostankov materiala, kot je les ali kovinski opilki.
- Med žaganjem z eno roko trdno držite ročaj izdelka.
- Med žaganjem se ne dotikajte kavlja, rezila ali zračnih šob.
- Rezilo žage je lahko po žaganju vroče. Preden se dotaknete rezila žage, počakajte, da se ohladi.
- Pri uporabi izdelka uporabljajte zbirnik prahu ali priključite sesalnik za prah.
- Podatki o zmogljivosti žaganja.
- Navodila za nastavitve orodja za različne položaje rezila žage, če je relevantno.
- Izdelek se po zastoji samodejno znova zažene. Če izdelek zastane, ga takoj izklopite. Če je izdelek zastal, ga ne vklopite znova, ker lahko s tem sprožite nenaden sunek z veliko reakcijsko silo. Ugotovite vzrok za zastoj izdelka in ga odpravite, pri čemer upoštevajte varnostna navodila.



- Temperatura okolja delovanja orodja (izdelka) je med 0 °C in 40 °C.
- Temperatura okolja shranjevanja orodja je med 0 °C in 40 °C.
- Priporočena temperatura okolja za polnilni sistem med polnjenjem je med 10 °C in 38 °C.

DODATNA VARNOSTNA OPOZORILA ZA BATERIJO

⚠ OPOZORILO

V izogib, s kratkim stikom povzročene nevarnosti požara, poškodb ali okvar na proizvodu, orodja, izmenljivega akumulatorja ali polnilne naprave ne potaplajte v tekočine in poskrbite, da ne bo prihajalo do vdora tekočin v naprave in akumulatorje. Korozivne ali prevodne tekočine, kot so slana voda, določene kemikalije in belila ali proizvodi, ki le ta vsebujejo, lahko povzročijo kratek stik.

- Temperatura okolja za baterijo (izdelek) je med 0 °C in 40 °C.
- Temperatura okolja za shranjevanje baterije (izdelka) je med 0 °C in 20 °C.
- Elektronske odpadke ustrezno ločite tako, da odstranite vloženo baterijo, preden izdelek zavržete. Baterije dostavite na ustrezni zbirni center.
- Če želite odstraniti vgrajeni baterijski vložek, odvijte vijake in ločite stranice ohišja. Baterijo odklopite in jo odstranite.
- **OPOMBA:** Po odprtju izdelka ni več mogoče ponovno uporabiti ali popraviti, in ga je treba takoj ustrezno odstraniti.
- Preden baterijo odstranite iz električnega orodja, vklopite napravo, da se baterija popolnoma izprazni.
- Prepričajte se, da baterije, ki jih boste zavrgli, ne pridejo v stik z ostalimi baterijami ali prevodnimi materiali. V ta namen zaščitite izpostavljene konektorje z izolirnim, neprevodnim pokrovčkom ali trakom.

PRENAŠANJE LITIJEVH BATERIJ

Baterije prevažajte v skladu z lokalnimi in državnimi uredbami in predpisi.

Upošteвайте vse posebne zahteve glede pakiranja in označevanja, kadar prevoz opravlja tretja oseba. Zagotovite, da baterije med prevozom ne morejo priti v stik z drugimi baterijami ali prevodnimi materiali tako, da zaščitite izpostavljene konektorje z izolacijo, neprevodnimi pokrovčki ali trakom. Ne prevažajte poškodovanih baterij oz. baterij, ki puščajo. Za nadaljnje informacije se obrnite na posredovalno podjetje.

REZIDUALNA TVEGANJA

Tudi če izdelek uporabljate tako, kot je predpisano, še vedno ne moremo izključiti določenih preostalih dejavnikov tveganja. Med uporabo se lahko pojavijo naslednje nevarnosti, upravljavec pa naj bo pozoren na sledeče:

- Poškodbe zaradi vibracij
 - Uporabljajte najnižjo nastavitve hitrosti, ki omogoča žaganje. Omejite izpostavljenost. Glejte poglavje »Zmanjševanje nevarnosti« v tem priročniku.

- Poškodbe zaradi prahu
 - V oči ali dihala lahko prodre prah. Vedno nosite zaščito za oči. Nosite ustrezno zaščitno masko s filtri, ki so primerni za zaščito pred delci materiala, ki ga režete. V delovnem območju je prepovedano jesti, piti in kaditi. Poskrbite za ustrezno prezračevanje.
- poškodba zaradi električnega udara
 - Reziro lahko pride v stik s skritimi žicami, kar povzroči, da po delih izdelka steče električni tok. Izdelek vedno držite za ročaje in bodite previdni pri slepem rezanju v stene in tla, kjer so lahko skriti kablji.
- Poškodbe zaradi stika z rezili
 - Reziro so zelo ostra in med uporabo postanejo vroča. Ko zamenjujete rezila, nosite rokavice. Z rokami nikoli ne posegajte v območje rezanja. Obdelovanec vedno, kadar je mogoče, fiksirajte.
- Poškodbe, ki jih povzročijo hrup
 - Hrup lahko poškoduje sluh. Pri daljši uporabi električnih orodij nosite zaščito za sluh.

ZMANJŠANJE TVEGANJA

Ugotovljeno je bilo, da lahko pri nekaterih posameznikih vibracije ročnih orodij povzročijo Raynaudov sindrom. Simptomi so lahko mravljinci, otrplost in pobelbeli prsti, kar je običajno vidno, kadar je oseba izpostavljena mrazu. Dedni dejavniki, izpostavljenost mrazu in vlagi, dieta, kajenje in delovne navade naj bi pripomogle k razvoju teh simptomov. Za zmanjšanje učinkov vibracij lahko upravljavec upošteva naslednja navodila:

- Poskrbite, da bo vaše telo na mrazu toplo. Med upravljanjem nosite rokavice in tako ohranjate toploto vaših dlani in zapestij. Kot poročajo, je mraz glavni dejavnik, ki prispeva k Raynaudovemu sindromu.
- Po vsakem obdobju upravljanja naprave telovadite in tako pospešite krvni obtok.
- Pogosto si vzemite odmor. Omejite dnevno količino izpostavljenosti.

Če zaznavate kakršne koli simptome takšnega stanja, takoj prenehajte z uporabo naprave in se o simptomih posvetujte z zdravnikom.

⚠ OPOZORILO

Daljša uporaba orodja lahko privede do poškodb ali pa so poškodbe lahko hujše. Kadar orodje uporabljate dalj časa, si večkrat vzemite odmor.

VZDRŽEVANJE

⚠ OPOZORILO

Ko sestavljate dele, prilagajate, čistite ali vzdržujete orodje, ali ko orodje ne uporabljate, ga nikoli ne imejte priključenega na vir napajanja. Če izdelek izklopite iz napajanja, preprečite nenameren zagon, ki bi lahko povzročil resne telesne poškodbe.

⚠ OPOZORILO

Pri servisiranju uporabljajte samo originalne nadomestne dele, dodatke in priključke proizvajalca. Uporaba drugih delov lahko povzroči nevarnost ali škodo na izdelku.

- Pri čiščenju plastičnih delov se izogibajte topilom. Večina plastičnih delov je zelo dovzetna za poškodbe s strani različnih vrst raztopil. Za odstranjevanje umazanije, saj in podobnega uporabljajte čisto krpo.

⚠ OPOZORILO

Zavorna tekočina, gorivo, izdelki na osnovi nafte, prodirajoče olje ipd. nikoli ne smejo priti v stik s plastičnimi deli. Kemikalije lahko plastiko poškodujejo, oslabijo ali uničijo, kar lahko privede do resnih telesnih poškodb.

⚠ OPOZORILO

Zaradi večje varnosti in zanesljivosti naj vsa popravila izvaja pooblaščen servisni center.

SPOZNAJTE SVOJ IZDELEK

Glejte stran 123

Deli

1. Žagin list
2. Montažna spona
3. Ročica spone rezila
4. Gumb za zaklep sprožilca
5. Sprožilec
6. Ročaj
7. Odprtina za baterijo

SIMBOLI NA IZDELKU



Varnostni alarm



Pred uporabo izdelka preberite in razumite vsa navodila. Upoštevajte vsa opozorila in varnostna navodila.



Nosite zaščito za sluh.



Nosite zaščito za oči



Nosite si nedrseče, močne delovne zaščitne rokavice.



Nosite masko.



Roke držite proč od rezil.



Ne izpostavljajte ga dežju ali vlagi.



Zajamčena raven zvočne moči 94 dB



Odpadne električne izdelke odlagajte skupaj z ostalimi gospodinjstvi odpadki. Reciklažo opravljajte na predpisanih mestih. Za reciklažni nasvet se obrnite na lokalne oblasti.



Ustreza vsem predpisanim standardom v državi članici EU, kjer je bil kupljen izdelek.



EurAsian oznaka o skladnosti.



Ukrajinska oznaka za skladnost

SIMBOLI V TEM PRIROČNIKU



Deli ali dodatki so na prodaj ločeno



Opomba



Opozorilo



Nosite si nedrseče, močne delovne zaščitne rokavice.



Nevarnost! Ostro rezilo



Hitrost



Hitrost, največja

Naslednje besedne oznake in njihovi pomeni služijo za razlago stopnje tveganja pri uporabi izdelka.

⚠ NEVARNOST

Označuje neizbežno tvegano stanje, ki če se ji ne izognete lahko povzroči smrt ali resno poškodbo.

⚠ OPOZORILO

Označuje morebitno tvegano stanje, ki če se ji ne izognete lahko povzroči smrt ali resno poškodbo.

⚠ POZOR

Označuje morebitno tvegano stanje, ki če se mu ne izognete lahko povzroči manjšo ali srednje resno poškodbo.

POZOR

(Brez simbola Varnostni alarm) Označuje stanje, ki lahko privede do poškodovanja lastnine.



Bezpečnosť, efektivita a spoľahlivosť boli prvoradá pri navrhovaní vašej akumulátorovej píly na prerezávanie.

ÚČEL POUŽITIA

Táto píla na prerezávanie je určená len na používanie osobami, ktoré si prečítali a rozumejú pokynom a výstrahám v tejto príručke, a sú za svoje činnosti zodpovedné.

Tento produkt je určený výhradne na použitie v exteriéri a v dobre vetraných priestoroch.

Tento výrobok je určený na rezanie a prerezávanie malých konárov a vetví s priemerom menším alebo rovnajúcim sa 80 mm.

Tento produkt bol navrhnutý na ručné používanie. Tento výrobok sa nesmie montovať na pracovný stôl, ak výrobca tohto výrobku na to neposkytne konkrétne pokyny.

Nepoužívajte na žiadne iné účely.

VŠEOBECNÉ BEZPEČNOSTNÉ VÝSTRAHY PRE MECHANICKÉ NÁSTROJE

VAROVANIE

Prečítajte si všetky pokyny s bezpečnostnými výstrahami, obrázky a parametre uvádzané pre tento výrobok. Pri nedodržaní pokynov uvedených nižšie môže dôjsť k úrazu elektrickým prúdom, požiaru alebo závažnému osobnému poraneniu.

Odložte všetky upozornenia a pokyny použité v budúcnosti.

Pojem „mechanický nástroj“ vo výstrahách sa vzťahuje na váš sieťový (káblový) mechanický nástroj alebo akumulátorový (bezkáblový) mechanický nástroj.

PRACOVNÝ PRIESTOR

- **Pracovisko udržiavajte v čistote a správne osvetlené.** Prepchané alebo tmavé miesta zvyšujú pravdepodobnosť nehôd.
- **Nepracujte s mechanickými nástrojmi vo výbušných atmosférach, napríklad v blízkosti zápalných tekutín, plynov alebo prachu.** Mechanické nástroje vytvárajú iskry, ktoré môžu podpáliť takýto prach alebo výpary.
- **Deti a okolostojaci sa počas práce s mechanickým nástrojom nesmú zdržovať v jeho blízkosti.** Rozptýlenie môže spôsobiť, že stratíte nad nástrojom kontrolu.

ELEKTRICKÁ BEZPEČNOSŤ

- **Zástrčky mechanického nástroja musia zodpovedať zásuvke.** Zástrčku nikdy žiadnym spôsobom neupravujte. S uzemnenými mechanickými nástrojmi nepoužívajte rozdvojnú zásuvku. Použitím neupravovaných zástrčiek a zodpovedajúcich zásuviek sa znižuje riziko úrazu elektrickým prúdom.
- **Vyhýbajte sa telesnému kontaktu s uzemnenými povrchmi, napríklad rúrami, radiátormi, sporákmi a chladničkami.** Ak je vaše telo uzemnené, hrozí vysoké riziko úrazu elektrickým prúdom.

- **Nevystavujte produkt dažďu ani mokrému prostrediu.** Voda, ktorá vnikne do mechanického nástroja, zvyšuje riziko úrazu elektrickým prúdom.
- **Kábel nenamáhajte. Nikdy nepoužívajte kábel na prenášanie, ťhanie alebo odpájanie mechanického nástroja.** Kábel nedávajte do blízkosti tepla, oleja, ostrých okrajov alebo pohyblivých dielov. Poškodené alebo zamotané káble zvyšujú riziko úrazu elektrickým prúdom.
- **Pri práci s mechanickým nástrojom v exteriéri používajte predlžovací kábel vhodný pre použitie v exteriéri.** S káblom vhodným pre použitie v exteriéri sa znižuje riziko úrazu elektrickým prúdom.
- **Ak je nevyhnutné pracovať s mechanickým nástrojom vo vlhkom prostredí, použite zdroj chránený zariadením pre zvyškový prúd.** Použitie zariadenia pre zvyškový prúd znižuje riziko úrazu elektrickým prúdom.

OSOBNÁ BEZPEČNOSŤ

- **Pri práci s mechanickým nástrojom buďte ostražití, sledujte, čo robíte a používajte zdravý rozum.** Nepoužívajte mechanický nástroj, keď ste unavení alebo pod vplyvom drog, alkoholu alebo liekov. Chvíľa nepozornosti počas práce s mechanickými nástrojmi môže spôsobiť závažné osobné poranenie.
- **Používajte osobné ochranné pomôcky.** Vždy používajte chrániče zraku. Na redukovanie osobných poranení sa pre príslušné podmienky používať ochranné prostriedky, ako je protiprachová maska, ochranná obuv s protišmykovou úpravou, prilba alebo chrániče sluchu.
- **Zabráňte neúmyselnému spusteniu.** Pred zapojením zariadenia do siete a/alebo k jednotke akumulátora, zdvihanim alebo prenášaním nástroja vždy skontrolujte, či je spínač vo vypnutej polohe. Pri prenášaní mechanických nástrojov s prstom položeným na spínači alebo pripájaní mechanických nástrojov so zapnutým spínačom sa zvyšuje riziko úrazu.
- **Pred zapnutím nástroja odstráňte prípadný nastavovací klin alebo kľúč.** Keď necháte kľúč alebo klin nasadený na rotujúci diel mechanického nástroja, môže dôjsť k vážnemu poraneniu osôb.
- **Neprečeňujte sa.** Neustále zachovávajte pevnú oporu nôh a rovnováhu. Tak si zaistíte lepšiu kontrolu nad mechanickým nástrojom v nečakaných situáciách.
- **Primerane sa oblečte.** Nenoste voľný odev ani šperky. Vlasy, odev a rukavice nepribližujte k pohybujúcim sa dielom. Voľný odev, šperky či dlhé vlasy sa môžu zachytiť do pohyblivých častí.
- **Ak sú zariadenia vybavené pripojením na prostriedky na odsávanie a zber prachu, zaistíte, aby boli správne pripojené a primerane sa používali.** Pri použití týchto prostriedkov sa znižujú riziká pochádzajúce z prachu.
- **Nedovoľte, aby znalosti získané počas častého používania náradia spôsobili, že budete ignorovať princípy bezpečnosti pre náradie.** Nedbanlivosť môže spôsobiť závažné poranenie v zlomku sekundy.





POUŽÍVANIE ELEKTRICKÉHO NÁSTROJA A STAROSTLIVOSŤ OŇ

- Na nástroj nevyvíjajte silu. Používajte vhodný nástroj pre dané použitie. Správny mechanický nástroj splní svoju úlohu lepšie a bezpečnejšie pri rýchlosti, na ktorú je určený.
- Mechanický nástroj nepoužívajte, ak spínač nezapína a nevypína nástroj. Mechanický nástroj, ktorý sa nedá ovládať spínačom, je nebezpečný a musí sa dať opraviť.
- Pred vykonaním akýchkoľvek úprav, výmene príslušenstva alebo odložením mechanického nástroja odpojte zástrčku zo sieťovej zásuvky a/alebo jednotky akumulátora. Takéto preventívne opatrenie znižuje riziko neúmyselného spustenia mechanického nástroja.
- Nečinné mechanické nástroje odložte mimo dosahu detí a nedovoľte používať mechanický nástroj osobám neoboznámeným s mechanickým nástrojom alebo týmito pokynmi. Mechanické nástroje sú v rukách netrénovaných osôb nebezpečné.
- Na mechanických nástrojoch vykonávajte údržbu. Skontrolujte, či pohyblivé diely nie sú nesprávne nastavené alebo zablokované, či niektoré diely nie sú poškodené, ako aj akýkoľvek iný stav, ktorý by mohol ovplyvniť činnosť mechanického nástroja. V prípade poškodenia nechajte mechanický nástroj pre použitím opraviť. Veľké množstvo nehôd je spôsobených nedostatočnou údržbou mechanických nástrojov.
- Rezacie nástroje udržiavajte ostré a v čistote. Správne udržiavané rezacie nástroje s ostrými ostriami sa menej pravdepodobne zaseknú a ľahšie sa ovládajú.
- Mechanický nástroj, príslušenstvo a vrtáky a pod., používajte v súlade s týmto návodom, pričom berte do úvahy pracovné podmienky a úlohu, ktorú chcete vykonať. Pri používaní mechanického nástroja na iné ako určené činnosti môže dôjsť k nebezpečným situáciám.
- Rukoväte a úchopné povrchy udržiavajte suché, čisté a bez zvyškov oleja či maziva. Klzké rukoväte a úchopné povrchy neumožňujú bezpečnú manipuláciu a ovládanie nástroja v neočakávaných situáciách.

POUŽÍVANIE AKUMULÁTORA A STAROSTLIVOSŤ OŇ

- Nabíjajte len s použitím nabíjačky špecifikovanej výrobcom. Nabíjačka, ktorá je vhodná pre jeden typ jednotky akumulátora, môže pri použití s inou jednotkou akumulátora spôsobiť riziko požiaru.
- Používajte len mechanické nástroje so špecificky určenými jednotkami akumulátorov. Pri použití iných jednotiek akumulátora vzniká riziko poranenia a požiaru.
- Keď sa jednotka akumulátora nepoužíva, nedávajte ju do blízkosti iných kovových objektov, ako sú papierové sponky, mince, kľúče, klince, skrutky či iné malé kovové predmety, ktoré by mohli skratovať svorky. Pri skratovaní svoriek akumulátora môže dôjsť k popáleninám alebo požiaru.

- Za nevhodných podmienok, keď by z batérie vytekala kvapalina, predchádzajte kontaktu s ňou. Pri náhodnom kontakte opláchnite vodou. Ak tekutina zasiahne oči, dodatočne vyhľadajte lekársku pomoc. Tekutina vytečená z akumulátora môže spôsobiť podráždenie alebo popáleniny.
- Poškodenú alebo upravenú súpravu batérií alebo náradie nepoužívajte. Poškodené alebo upravené batérie môžu vykazovať nepredvídateľné správanie s následkom požiaru, výbuchu alebo poranenia.
- Súpravu batérií ani náradie nevystavujte účinkom ohňa alebo teploty nad 130 °C môže spôsobiť výbuch.
- Dodržiavajte všetky pokyny na nabíjanie a súpravu batérií ani náradie nenabíjajte mimo rozsahu teplôt, ktorý je uvedený v pokynoch. Nesprávne nabíjanie alebo nabíjanie pri teplotách mimo uvedeného rozsahu môže poškodiť batériu a zvýšiť riziko vzniku požiaru.

OPRAVY

- Servis mechanického nástroja prenechajte kvalifikovanému servisnému pracovníkovi s použitím len identických náhradných dielov. Takto zachováte bezpečnosť mechanického nástroja.
- Nikdy nevykonávajte servis poškodených súprav batérií. Servis súprav batérií sme vykonávať len výrobca alebo autorizovaní poskytovatelia servisu.

BEZPEČNOSTNÉ VÝSTRAHY PRE AKUMULÁTOROVÚ PÍLU NA PREREZÁVANIE

- Pri vykonávaní operácie, kedy môže rezacie príslušenstvo prísť do kontaktu so skrytým vedením, držte nástroj za izolované úchopné miesta. Pri kontakte rezacieho príslušenstva so „živým“ vodičom by mohli byť obnažené kovové diely pod prúdom a spôsobiť obsluhujúcemu úder elektrickým prúdom.
- Pomocou svoriek alebo inými praktickým spôsobmi zaistíte a podporíte obrobok na stabilnej podložke. Keď držíte obrobok rukou alebo oproti telu, obrobok bude nestabilný a môže dôjsť k strate kontroly.
- Udržujte ruky v bezpečnej vzdialenosti od dosahu pílenia. Nesiahajte pod obrobok. Kontakt s pílovým listom môže viesť k poraneniam.
- Pri montáži pílového listu noste ochranné rukavice. Pri dotyku pílového listu existuje nebezpečenstvo poranenia.
- Pri výmene pílového listu nedržte výrobok jednou rukou na alebo pri hlavnom vypínači a spúšťači. Existuje nebezpečenstvo poranenia, ak náhodne výrobok hlavným vypínačom zapnete.
- Pri výmene pílového ostria dbajte na to, aby v držiaku pílového ostria neboli zvyšky materiálu, napríklad drevených alebo kovových hoblín.
- Počas pílenia držte výrobok pevne jednou rukou.
- Počas pílenia sa nedotýkajte háku, pílového listu ani vetracích otvorov.
- Pílový list môže byť po pílení horúci. Pred dotykom nechajte pílový list vychladnúť.

EN
FR
DE
ES
IT
NL
PT
DA
SV
FI
NO
RU
CS
HU
RO
LV
LT
ET
HR
SL
SK
BG
UK
TR





- Pri práci s produktom používajte zariadenie na zber prachu alebo vysávač na odsávanie prachu.
- Informácie o reznej kapacite.
- Pokyny pre nastavenie náradia pre rôzne polohy pilového listu, ak sa používajú.
- Výrobok sa po zastavení automaticky reštartuje. Ak dôjde k zastaveniu výrobku, okamžite ho vypnite. Zastavený výrobok nezapínajte, pretože by na vypínač mohla pôsobiť náhla veľká sila v opačnom smere. Zistite, prečo sa výrobok zastavil, odstráňte príčinu zastavenia a dodržiavajte pritom bezpečnostné pokyny.
- Rozsah okolitej teploty počas prevádzkovania náradia (výrobku) je 0 °C až 40 °C.
- Rozsah okolitej teploty počas skladovania náradia je 0 °C až 40 °C.
- Odporúčany rozsah okolitej teploty pre nabíjací systém počas nabíjania je 10 °C až 38 °C.

DOPLNKOVÉ BEZPEČNOSTNÉ VÝSTRAHY PRE BATÉRIU

⚠ VAROVANIE

Aby ste zabránili nebezpečenstvu požiaru spôsobeného skratom, poraneniam alebo poškodeniam výrobku, neponárajte náradie, výmennú batériu alebo nabíjačku do kvapalín a postarajte sa o to, aby do zariadenia a akumulátorov nevnikli žiadne tekutiny. Korodujúce alebo vodivé kvapaliny, ako je slaná voda, určité chemikálie a bieliace prostriedky alebo výrobky, ktoré obsahujú bieliadlo, môžu spôsobiť skrat.

- Rozsah okolitej teploty počas používania batérie je 0°C až 40°C.
- Rozsah okolitej teploty počas skladovania batérie je 0°C až 20°C.
- Správne skladovanie elektronického odpadu – pred likvidáciou vyberte akumulátory z náradia. Odovzdajte ich na príslušné zberné miesta.
- Ak chcete vybrať integrovanú súpravu batérií, odskrutkujte skrutky a oddelíte od seba časti krytu. Odpojte akumulátora z obvodu a vyberte ju.
- **POZNÁMKA:** Po otvorení akumulátora sa stane nepoužiteľným a nie je možné na ňom vykonať servis a musí sa správnym spôsobom zlikvidovať.
- Pred vybratím akumulátora z elektrického nástroja zapnite náradie, kým sa akumulátor úplne nevybije.
- Zabezpečte, aby akumulátor, ktorého chcete zlikvidovať, nemohol prísť do kontaktu s akumulátormi, či vodivými materiálmi – ochráňte obnažené konektory izolačnými nevodivými viečkami alebo páskou.

PREPRAVA LÍTOVÝCH AKUMULÁTOROV

Akumulátory prepravujte v súlade s miestnymi smernicami a nariadeniami.

Keď akumulátory prepravuje tretia strana, dodržiavajte všetky požiadavky na balení a označení. Zabezpečte, aby počas prepravy akumulátory neprišli do kontaktu s inými akumulátormi ani vodivými materiálmi – chráňte obnažené

konektory pomocou izolácie, nevodivými viečkami alebo páskou. Neprepravujte akumulátory, ktoré sú prasknuté alebo vytekajú. Ďalšie pokyny zistíte u nasledujúcej spoločnosti.

ZVYŠKOVÉ RIZIKÁ

Aj keď sa nástroj používa podľa predpisu, nie je možné eliminovať určité zvyškové rizikové faktory. Pri použití vznikajú nasledujúce riziká a obsluhujúca osoba musí venovať zvláštnu pozornosť, aby nedošlo k nasledovnému:

- Zranenie spôsobené vibráciami
 - Použite nastavenie najnižšej rýchlosti, pri ktorej dochádza k rezaniu. Obmedzte expozíciu. Pozri časť „Zníženie rizika“ v tejto príručke.
- Zranenie spôsobené prachom
 - Prach môže vniknúť do očí alebo dýchacej sústavy. Neustále používajte ochranu zraku. Používajte vhodnú masku na ochranu pred prachom vybavenú filtrami, ktoré chránia pred časticami z rezaného materiálu. Na pracovisku nejedzte, nepite ani nefajčite. Zabezpečte primerané vetranie.
- poranenie spôsobené zasiahnutím elektrickým prúdom
 - Ostrie sa môže dostať do kontaktu so skrytou kabelážou, čo by mohlo spôsobiť, že niektoré časti produktu budú pod prúdom. Produkt vždy držte za určené rukoväte a dávajte pozor pri rezaní do stien a podláh, kde sa môžu nachádzať skryté káble.
- zranenie pri kontakte s čepelami,
 - Čepele sú veľmi ostré a pri práci budú veľmi horúce. Pri výmene čepeli používajte rukavice. Držte ruky neustále mimo dosahu priestoru rezania. Uplatnite obrobok vždy, keď je to možné.
- Zranenie spôsobené hlukom
 - Hluk môže spôsobiť poškodenie sluchu. Pri používaní mechanických nástrojov dlhšiu dobu používajte ochranu sluchu.

OBMEDZENIE RIZIKA

Boli hlásené prípady, kedy vibrácie z ručných nástrojov u niektorých osôb prispeli k stavu nazývanému Raynaudov syndróm. K symptómom patria: tŕpnutie, znecitlivenie a blednutie prstov, zvyčajne zjavné po vystavení zime. Je známe, že k vývoju týchto symptómov prispievajú: dedičné faktory, vystavovanie zime a vlhkosti, diéta, fajčenie a pracovné návyky. Opatrenia, ktoré môže vykonať obsluhujúca osoba na možné zníženie účinkov vibrácií:

- V studenom počasí udržiavajte svoje telo v teple. Pri práci s produktom noste rukavice, aby ste mali ruky a zápästia v teple. Boli hlásené prípady, kedy hlavným faktorom prispievajúcim k Raynaudovmu syndrómu bolo studené počasie.
- Po každom určitom časovom úseku prevádzky cvičte, aby ste zlepšili krvný obeh.
- Počas práce si doprajte časté prestávky. Obmedzte počet vystavení za deň.

Ak zistíte ktorýkoľvek zo symptómov tohto stavu, okamžite prerušte používanie zariadenia, navštívte svojho lekára a povedzte mu o symptómoch.



VAROVANIE

Pri dlhodobom alebo zvýšenom používaní môže dôjsť k zraneniam. Pri používaní nástroja príliš dlhé obdobia si vždy doprajte pravidelné prestávky.

ÚDRŽBA

VAROVANIE

Orodje izkľučíte iz električne napetosti, vedno ko nameščate pribor, spreminjate nastavitve, ga čistite, vzdržujete ali ko orodja ne uporabljate. Odpojenie výrobku od zdroja napájania zabráni náhodnému spusteniu, ktoré by mohlo spôsobiť vážne poranenie.

VAROVANIE

Pri servise používajte výhradne originálne náhradné diely, príslušenstvo a prídavné zariadenia od výrobcu. Použitie iných ako originálnych dielov môže spôsobiť poškodenie výrobku alebo byť príčinou nebezpečenstva.

- Pri čistení plastových dielov nepoužívajte rozpúšťadlá. Veľa plastov je citlivých na poškodenie rôznymi typmi komerčných rozpúšťadiel a môžu byť nimi poškodené. Na odstránenie špiny, uhlíkového prachu a pod. použite čisté tkaniny.

VAROVANIE

Dbajte na to, aby do kontaktu s plastovými dielmi nikdy neprišli do kontaktu brzdové kvapaliny, benzín, ropné produkty, prenikavé oleje a pod. Chemikálie môžu poškodiť, oslabiť či zničiť plast, čo môže spôsobiť závažné osobné poranenie.

VAROVANIE

Pre vyššiu bezpečnosť a spoľahlivosť sa musia všetky opravy vykonávať v autorizovanom servisnom centre.

OBOZNÁMTE SA S VAŠIM PRODUKTOM

Pozrite stranu 123.

Diely

1. Pilový kotúč
2. Montážna príchytka
3. Páčka príchytky listu
4. Bezpečnostné tlačidlo spínača
5. Spínač
6. Rúčka
7. Port na batériu

SYMBOLY NA PRODUKTE



Výstražná značka



Pred používaním výrobku si prečítajte a pochopte všetky pokyny. Dodržujte všetky výstrahy a bezpečnostné pokyny.



Používajte chrániče sluchu.



Používajte chrániče zraku



Používajte protišmykové odolné rukavice.



Používajte masku.



Ruky nedávajte do blízkosti ostrí.



Nevystavujte dažďu ani nepoužívajte vo vlhkom prostredí.



Garantovaná úroveň hluku 94 dB



Opotrebované elektrické zariadenia by ste nemali odhadzovať do domového odpadu. Prosíme o recykláciu ak je možné. Kontaktujte miestne úrady, alebo predajcu pre viac informácií ohľadom ekologického spracovania.



Vyhovuje všetkým regulačným normám v krajine EÚ, v ktorej bol výrobok zakúpený.



Euroázijská značka zhody



Ukrajinské označenie zhody

SYMBOLY V TOMTO NÁVODE



Diely alebo príslušenstvo predávané samostatne



Poznámka

- EN
- FR
- DE
- ES
- IT
- NL
- PT
- DA
- SV
- FI
- NO
- RU
- PL
- CS
- HU
- RO
- LV
- LT
- ET
- HR
- SL
- SK**
- BG
- UK
- TR



Varovanie



Nebezpečenstvo! Ostrá čepel/list



Rýchlosť, min.



Rýchlosť, max.

Nasledujúce signálne slová a významy slúžia na vysvetlenie úrovni rizika súvisiacich s produktom:

NEBEZPEČENSTVO

Označuje bezprostredne nebezpečnú situáciu, ktorá môže vyústiť v smrť, alebo vážne zranenie.

VAROVANIE

Označuje potenciálne nebezpečnú situáciu, ktorá môže vyústiť v smrť, alebo vážne zranenie.

VÝSTRAHA

Označuje potenciálne nebezpečnú situáciu, ktorá môže vyústiť v ľahké, alebo stredne ťažké zranenie.

VÝSTRAHA

(Bez výstražnej značky s výkričníkom) Označuje situáciu, ktorá môže zapríčiniť škody na majetku.



Безопасността, работните характеристики и надеждността имат най-висок приоритет при проектирането на Вашия безжичен трион за кастрене.

ПРЕДНАЗНАЧЕНИЕ

Безжичният трион за кастрене е предназначен за използване само от възрастни, които са прочели и разбрали инструкциите и предупрежденията в настоящото ръководство и могат да бъдат считани като отговорни за своите действия.

Продуктът е предназначен за използване само на открити и добре проветрени пространства.

Продуктът е предназначен за рязане и кастрене на малки стволче и клони с диаметър по-малък или равен на 80 mm.

Проектиран е за ръчна употреба. Инструментът не трябва да се монтира върху работен плот, освен ако производителят на продукта не е дал конкретни инструкции как да се направи това.

Не го използвайте за никакви други цели.

ОСНОВНИ ПРЕДУПРЕЖДЕНИЯ ЗА БЕЗОПАСНОСТ ПРИ РАБОТА С ЕЛЕКТРИЧЕСКИ ИНСТРУМЕНТИ

⚠ ПРЕДУПРЕЖДЕНИЕ

Прочетете всички инструкции с предупреждения за безопасност, илюстрации и спецификации, предоставени с този продукт. Неспазването на инструкциите, изброени по-долу, може да доведе до електрически удар, пожар и/или тежки физически травми.

Съхранявайте всички предупреждения и инструкции за бъдещи справки.

Терминът "електрически инструмент" в предупрежденията се отнася за вашия инструмент - със захранване от електрическата мрежа (с кабел) или на батерия (безжичен).

БЕЗОПАСНОСТ НА РАБОТНАТА ЗОНА

- **Поддържайте работното пространство чисто и добре осветено.** Безпорядъкът или тъмнината в работното пространство са предпоставка за злополуки.
- **Не използвайте електрически инструменти в експлозивни среди, например в присъствието на запалителни течности, газове или прах.** По време на работа електрическите инструменти произвеждат искри, които могат да възпламенят прах или пари.
- **Дръжте децата и страничните наблюдатели далече, докато боравите с електрически инструмент.** Ако вниманието ви бъде отклонено, може да загубите контрола над електрическия инструмент.

ЕЛЕКТРИЧЕСКА БЕЗОПАСНОСТ

- **Щепселът на електрическия инструмент трябва да е съвместим с контакта. В никакъв случай не**

вносяйте изменения в конструкцията на щепсела. Когато работите със занулени електрически инструменти, не използвайте адаптери за щепсела. Използването на оригиналните щепсели и контакти намалява риска от токов удар.

- **Избягвайте допир със заземени повърхности, като тръби, радиатори, печки и хладилници.** Когато тялото ви е заземено, рискът от възникване на токов удар е по-голям.
- **Не излагайте продукта на дъжд или влажни условия.** Проникването на вода в електрическия инструмент повишава опасността от токов удар.
- **Не насилвайте захранващия кабел. Никога не носете, не изключвайте и не дърпайте електрическия инструмент за кабела.** Предпазвайте кабела от нагряване, омасляване, допир до остри ръбове или до подвижни звена на машини. Повредените или усукани кабели увеличават риска от токов удар.
- **Когато работите с електрически инструмент на открито, използвайте само удължителни кабели, предназначени за работа на открито.** Използването на удължител, предназначен за работа на открито, намалява риска от токов удар.
- **Ако не можете да избегнете използването на електрически инструмент на влажно място, използвайте RCD (прекъсвач със защитно изключване).** Използването на RCD намалява опасността от електрически удар.

ЛИЧНА БЕЗОПАСНОСТ

- **Бъдете бдителни, внимавайте какво правите и проявявайте благодарумие, когато боравите с електрически инструмент. Не използвайте електрическия инструмент, когато сте уморени или под влиянието на наркотични вещества, алкохол или лекарства.** Миг невнимание, докато боравите с електрически инструмент, е достатъчен за получаването на сериозни наранявания.
- **Използвайте лична защитна екипировка. Винаги носете защитни очила.** Предпазни средства като маска против прах, непълзгащи се предпазни обувки, твърда шапка или антифони, използвани при подходящи условия, ще намалят физическите наранявания.
- **Не допускайте нежелано стартиране. Преди да вдигате или носите инструмента и преди да го включвате в електрическата мрежа и/или батерия, винаги проверявайте дали превключвателят е на позиция OFF (изкл).** Носенето на инструмента с пръст върху превключвателя или включването му към електричеството, докато превключвателят му е на включен, е предпоставка за злополуки.
- **Махнете всички гаечни или френски ключове за настройка преди да включите инструмента.** Помощен инструмент, забравен на въртящ се елемент, може да доведе до физически наранявания.
- **Не се протъгайте, за да работите на трудно достижими места. Винаги стъпвайте стабилно**





по време на работа и пазете равновесие. Това дава възможност за по-добър контрол над електрическия инструмент в неочаквани ситуации.

- **Обличайте се целесъобразно.** Не носете широки дрехи или украшения. **Keep your hair and clothing away from moving parts.** Широките дрехи, украшенията, дългите коси могат да бъдат захванати и увлечени от движещи се елементи.
- **Ако устройствата са оборудвани със съоръжение за издърпване и събиране на прах, уверете се, че е то свързано и функционира правилно.** Използването на устройствата за събиране на прах ще намали рисковете, свързани с работа в прашни условия.
- Не позволявайте опита ви с често използване на инструменти да ви направи прекалено самоуверени и да ви накара да игнорирате принципите за безопасност. Едно небрежно действие може да доведе до сериозно нараняване в рамките само на секунда.

ИЗПОЛЗВАНЕ И ОБСЛУЖВАНЕ НА ЕЛЕКТРИЧЕСКИЯ ИНСТРУМЕНТ

- **Не насилвайте продукта.** Използвайте електрическия инструмент, съобразно неговото предназначение. Правилно подобреният електрически инструмент ще свърши работата по-добре и по-безопасно в зададения от производителя диапазон на натоварване.
- **Не използвайте електрически инструменти, чиито пусков прекъсвач е повреден.** Електрически инструмент, който не може да бъде контролиран посредством превключвател, е опасен и трябва да бъде ремонтиран.
- **Изключете щепсела от източника на захранване и/или батерията от електрическия инструмент, преди да извършвате каквито и да е корекции, да сменят принадлежностите и преди съхраняване на електрическите инструменти.** Тази мярка премахва опасността от задействане на електрическия инструмент по невнимание.
- **Съхранявайте незаетите електрически инструменти на недостъпни за деца места и не позволявайте на лица, непознати с инструмента или с тези указания, да боравят с него.** Когато са в ръцете на неопитни потребители, електрическите инструменти могат да бъдат изключително опасни.
- **Поддържайте електрическите инструменти в изправност.** Проверявайте за неизправности или заклинване в подвижните елементи, за счупени части или други обстоятелства, които могат да влошат работата на електрическия инструмент. Преди да използвате електрическия инструмент, се погрижете повредите да бъдат отстранени. Много от трудовите злополуки се дължат на недобре поддържани електрически инструменти.
- **Поддържайте режещите инструменти винаги добре заточени и чисти.** Инструменти, за които е полагана правилна грижа и са с добре наточени

режещи елементи, се управляват по-лесно и вероятността да заядат е по-малка.

- **Използвайте електрическите инструменти, принадлежностите и режещите и др. части съобразно тези указания, като се съобразявате с работните условия и с работата, която ще извършвате.** Използването на електрически инструменти за различни от предвидените от производителя приложения повишава опасността от възникване на трудови злополуки.
- **Поддържайте ръкохватките и повърхностите за захващане сухи, чисти и неомаслени.** Хлъзгавите ръкохватки и повърхности за захващане не дават възможност за безопасно управление и контролиране на инструмента при възникване на неочаквани ситуации.

ИЗПОЛЗВАНЕ И ОБСЛУЖВАНЕ НА ИНСТРУМЕНТА С БАТЕРИЯ

- **Презареждайте единствено със зарядното устройство, посочено от производителя.** Зарядно устройство, подходящо за зареждане на един вид батерии, може да предизвика риск от пожар, ако бъде използвано за други батерии.
- **Използвайте електрически инструменти с батерии единствено със специално предназначени за тях батерии.** Използването на всякакви други батерии може да създаде риск от нараняване и пожар.
- **Когато батерията не се използва, съхранявайте я далеч от други метални обекти, като например кламери, монети, ключове, гвоздеи, гайки или други малки метални обекти, които могат да направят връзка между клемите.** Късото съединение от клемите може да доведе до изгаряния или пожар.
- **При неправилно използване батерията може да отдели течност; избягвайте контакт.** Ако случайно настъпи контакт, промийте с вода. Ако течността влезе в контакт с очите, потърсете допълнително медицинска помощ. Отделената от батерията течност може да причини възпаление или изгаряния.
- **Не използвайте акумулаторна батерия или инструмент, които са повредени или променени по някакъв начин.** Повредените или променени батерии могат да работят по непредсказуем начин, което да доведе до пожар, взрив или опасност от наранявания.
- **Не излагайте акумулаторна батерия или инструмент на огън или прекалено висока температура.** Излагането на огън или на температура над 130 °C може да причини взрив.
- **Следвайте всички инструкции за зареждане и не зареждайте акумулаторната батерия или инструмента извън температурния диапазон, посочен в инструкциите.** Неправилното зареждане или зареждането при температури извън посочения диапазон може да повреди батерията и да увеличи риска от пожар.





СЕРВИЗНО ОБСЛУЖВАНЕ

- **Ремонтът на електрическите инструменти трябва да се извършва само от квалифицирани специалисти и само с използването на оригинални резервни части.** По този начин се гарантира поддържането на безопасност при работа с електрическия инструмент.
- **Никога не обслужвайте повредени акумулаторни батерии.** Обслужването на акумулаторните батерии трябва да се извършва само от производителя или от оторизирани доставчици на услуги по сервизно обслужване.

ПРЕДУПРЕЖДЕНИЯ ЗА БЕЗОПАСНОСТ ЗА БЕЗЖИЧНИЯ ТРИОН ЗА КАСТРЕНЕ

- Дръжте електрическия инструмент за изолираните повърхности за хващане, когато извършвате операция, при която режещият аксесоар може да влезе в контакт със скрити проводници. Режещ аксесоар, който влезе в контакт с проводник, по който тече ток, може да доведе до протичането на ток по неизолираните метални части на електрическия инструмент и да причини токов удар на оператора.
- Използвайте скоби или други практични начини за закрепване и поддържане на обработвания детайл към стабилна платформа. Като държите обработвания детайл с ръка или срещу тялото си, той е нестабилен и това може да доведе до загуба на контрол.
- Дръжте ръцете си далече от обхвата на острието. Не поставяйте ръката си под работния детайл. Контактът с острието на триона може да доведе до наранявания.
- Носете ръкавици при монтажа с острието на триона. Съществува опасност от нараняване при докосване на острието на триона.
- Когато сменят острието, не дръжте продукта с една ръка върху или около превключвателя за вкл./изкл и спусъка. Съществува опасност от нараняване при непреднамерено задействане на превключвателя за вкл./изкл.
- Когато сменят острието на триона, погрижете се в държателя на острието да няма натрупани работни остатъци, като например дървени или метални стърготини.
- По време на рязане дръжте продукта здраво с една ръка за ръкохватката.
- По време на рязане не докосвайте куката, острието или вентилационните отвори.
- След рязане острието на триона може да е горещо. Изчакайте острието на триона да се охлади, преди да го докоснете.
- Използвайте устройството за събиране на прах или свържете смукателно устройство за извличане на прах, когато работите с продукта.
- Информация относно капацитета на рязане.
- Инструкции за регулирането на инструмента за различни положения на острието на триона, ако е приложимо.

- Продуктът ще се рестартира автоматично, ако блокира. Изключете продукта незабавно, ако блокира. Не включвайте продукта отново, докато е блокирал, тъй като това може да предизвика внезапен откат с голяма реактивна сила. Определете защо продуктът е блокирал и отстранете причината за това, като се съобразите с инструкциите за безопасност.
- Диапазонът на околната температура при работа с инструмента (продукта) е между 0°C и 40°C.
- Диапазонът на околната температура при съхранение на инструмента е между 0°C и 40°C.
- Препоръчителният диапазон на околната температура при зареждане със зарядната система е между 10°C и 38°C.

ДОПЪЛНИТЕЛНИ ПРЕДУПРЕЖДЕНИЯ ЗА БЕЗОПАСНОСТ ЗА БАТЕРИЯТА

⚠ ПРЕДУПРЕЖДЕНИЕ

За да избегнете опасността от пожар, предизвикана от късо съединение, както и нараняванията и повредите на продукта, не потапяйте инструмента, сменяемата акумулаторна батерия или зарядното устройство в течности и се погрижете в уредите и акумулаторните батерии да не попадат течности. Течностите, предизвикващи корозия или провеждащи електричество, като солена вода, определени химикали, избелващи вещества или продукти, съдържащи избелващи вещества, могат да предизвикат късо съединение.

- Диапазонът на околната температура при използване на батерията е между 0°C и 40°C.
- Диапазонът на околната температура при съхранение на батерията е между 0°C и 20°C.
- Разделяте отпадъците от електронни уреди правилно, като отстраните вградените батерии от основния уред преди изхвърляне. Предавайте ги на местата, предназначени за тяхното събиране.
- За да премахнете вградената акумулаторна батерия, отделете двете половини на корпуса, като развийте винтовете. Изключете батерията от веригата и я извадете.
- **ЗАБЕЛЕЖКА:** След отваряне продуктът вече не може да бъде използван повторно и не подлежи на обслужване, затова следва да бъде изхвърлен по подходящ начин.
- Преди да отстраните батерията от електрическия инструмент, включете продукта, докато батерията се разрези напълно.
- Уверете се, че батерията, която предстои да бъде изхвърлена, не влиза в контакт с батерии, други батерийни комплекти или електропроводими материали, като обезопасите оголените конектори с изолиращи и непроводими капаци или изолирбанд.





ТРАНСПОРТИРАНЕ НА ЛИТИЕВИ БАТЕРИИ

Транспортирайте батериите в съответствие с местните и национални постановления и разпоредби.

Спазвайте всички специални изисквания за пакетиране и етикетирание, когато транспортирате батерии чрез трето лице. Уверете се, че батериите не влизат в контакт с други батерии или проводими материали по време на транспортиране, като предпазите откритите конектори с изолация, непроводими капачета или лента. Не транспортирайте батерии, които са спукани или текат. Свържете се със следната компания за допълнителен съвет.

НЕПРЕДВИДЕНИ РИСКОВЕ

Дори когато продуктът се използва по предназначение, е невъзможно напълно да се ограничи влиянието на определени рискови фактори. Рисковете, описани по-долу, може да възникнат по време на употреба и операторът трябва да внимава за избягването на следното:

- Нараняване, причинено от вибрация
 - Използвайте настройката за най-ниска скорост, подходяща за рязане. Ограничете излагането. Прегледайте раздела „Намаляване на риска“ в настоящото ръководство.
- Наранявания, причинени от прах
 - Прахът може да влезе в очите или в дихателната система. По всяко време носете защитни средства за очите. Носете подходяща маска против прах с филтри, подходящи за защита срещу частици от материала, който режете, и абразивни частици от аксесоарите. Не употребявайте храни, напитки или цигари в зоната на работа. Осигурете подходяща вентилация.
- Наранявания, причинени от токов удар
 - Острието може да засегне скрити проводници, което да доведе до протичане на ел. ток по частите. Винаги дръжте продукта за определените за това ръкохватки и внимавайте, когато пробивате на сяпко стени и подове, в които може да има скрити проводници.
- нараняване в следствие на контакт с остриетата
 - Остриетата са много остри и ще загреят по време на употреба. Носете ръкавици, когато сменят остриетата. Дръжте ръцете си далече от зоната на рязане през цялото време. Пристегнете работния детайл в менгеме, когато е възможно.
- Наранявания, причинени от шум
 - Шумът може да увреди слуха. Когато използвате електрически инструменти за продължителен период от време, носете антифони.

НАМАЛЯВАНЕ НА РИСКА

Известно е, че вибрациите, произвеждани от ръчни инструменти може да предизвикат у някои индивиди заболяване, наречено Синдром на Рейнолд (Raynaud's Syndrome). Симптомите може да включват изтръпване,

схващане и избледняване на пръстите, обикновено се забелязват при излагане на студ. Смята се, че наследствените фактори, излагането на студ и влага, диетите, пушенето и някои работни навици допринасят за развитието на тези симптоми. Могат да се вземат някои мерки, които могат да се предприемат от оператора, за да се намалят ефектите от вибрациите:

- Поддържайте телесната температура в студено време. Когато работите с продукта, носете ръкавици, за да поддържате ръцете и китките си топли. Според изследвания главният фактор, допринасящ за развитието на Raynaud's Syndrome, е студено време.
- Правете упражнения за активизиране на кръвообращението след всеки работен цикъл.
- Редовно излизайте в почивка. Ограничете излагането на вибрации на ден.

При поява на някой от симптомите на това заболяване, незабавно прекратете употребата на инструмента и посетете лекар.

⚠ ПРЕДУПРЕЖДЕНИЕ

Продължителното използване на инструмента може да доведе до наранявания или влошаване. При използване на инструмента за продължителни периоди от време правете чести почивки.

ПОДДРЪЖКА

⚠ ПРЕДУПРЕЖДЕНИЕ

Изделието никога не трябва бъде свързано към електрозахранването, когато сглобявате части, почиствате, извършвате техническо обслужване, или когато изделието не се използва. Изключването на продукта от захранването ще предотврати случайно стартиране, което би могло да причини сериозни наранявания.

⚠ ПРЕДУПРЕЖДЕНИЕ

При обслужване използвайте само оригинални резервни части, аксесоари и средства за прикрепване на производителя. Използването на други части може да ви постави в опасност или да повреди продукта.

- Избягвайте използването на разтворители при почистването на пластмасовите части. Повечето пластмаси са чувствителни към различни видове разтворители и може да се повредят при използването на такива. Използвайте меки кърпи за отстраняване на замърсявания, въглероден прах и др.



⚠ ПРЕДУПРЕЖДЕНИЕ

В никакъв случай не позволявайте пластмасовите части да влизат в контакт със спирачни течности, нефтени продукти, проникващи масла и т.н. Химикалите могат да повредят, отслабят или унищожат пластмасата, което може да доведе до сериозни физически наранявания.

⚠ ПРЕДУПРЕЖДЕНИЕ

За осигуряване на безопасност и надеждност всички ремонти трябва да се извършва от упълномощен сервизен център.

ОПОЗНАЙТЕ ВАШИЯ ПРОДУКТ

Вж. страница 123.

Части

1. Режеш диск
2. Монтажна скоба
3. Лост за скобата на острието
4. Бутон за заключване на спусъка
5. Спусък
6. Ръкохватка
7. Гнездо за батерията

СИМВОЛИ НА ПРОДУКТА



Предупреждение относно безопасността



Прочетете и разберете всички инструкции, преди да използвате продукта. Следвайте всички предупреждения и инструкции за безопасност.



Носете антифони.



Носете защитни средства за очи



Носете здрави ръкавици, пригодени против плъзгане.



Носете маска.



Дръжте ръцете си далеч от остриетата.



Не излагайте на дъжд и на влажни условия.



Гарантирано ниво на шум 94 dB



Електрическите уреди не трябва да се изхвърлят заедно с битовите отпадъци. Рециклирайте, където има възможност. Обърнете се за съвет по рециклирането към местните власти или разпространителите.



Тази машина е в съответствие с нормативната уредба на държавата от ЕС, където е била закупена.



EurAsian знак за съответствие



Украински знак за съответствие

СИМВОЛИ В НАСТОЯЩОТО РЪКОВОДСТВО



Частите или принадлежностите се продават отделно



Забележка



Предупреждение



Опасност! Остро острие



Скорост, минимална



Скорост, максимална

Следните сигнални думи и техните съответни значения обясняват нивата на опасност, свързани с употребата на този продукт:

⚠ ОПАСНОСТ

Указва неминуемо опасна ситуация, която ако не бъде избегната, ще доведе до сериозни наранявания или смърт.

⚠ ПРЕДУПРЕЖДЕНИЕ

Указва потенциално опасна ситуация, която ако не бъде избегната, може да доведе до сериозни наранявания или смърт.

⚠ ВНИМАНИЕ

Указва потенциално опасна ситуация, която ако не бъде избегната, може да доведе до дребни или средни наранявания.

ВНИМАНИЕ

(Без предупредителен символ за безопасност) Указва ситуация, която може да доведе до имуществени щети.



Головними міркуваннями при розробці цієї бездротової пилки для зрізання гілок були безпека, ефективність та надійність.

ПЕРЕДБАЧУВАНОМУ ВИКОРИСТАННІ

Бездротова пилка для зрізання гілок призначена для використання тільки дорослими, які уважно прочитали і зрозуміли інструкції та попередження у цій інструкції з використання, і можуть вважатися відповідальним за свої дії.

Бездротова пилка для зрізання гілок призначена для використання виключно на відкритому повітрі у добре провітрюваному місці.

Пристрій призначений для зрізання та обрізки дрібних сучків та гілок з діаметром менше або що дорівнює 80 мм.

Пристрій призначений для ручного використання. Пристрій не можна встановлювати на верстаті, якщо тільки виробник пристрою не дає конкретних інструкцій про те, як це зробити.

Не використовуйте для будь-яких інших цілей.

ГОЛОВНІ ПОПЕРЕДЖЕННЯ З БЕЗПЕКИ ЕЛЕКТРОІНСТРУМЕНТУ

Попередження

Вивчить всі правила безпеки, інструкції, ілюстрації і специфікації, що поставляються з пристроєм. Недотримання попереджень та інструкцій може призвести до ураження електричним струмом, пожежі та / або серйозної травми.

Збережіть всі інструкції і вказівки для майбутнього використання.

Термін "електроінструмент" у попереджувальних повідомленнях відноситься до вашого мережевого електроінструменту (дротового) або електроінструменту, що живиться від акумуляторної батареї (бездротового).

БЕЗПЕКА РОБОЧОГО МІСЦЯ

- Утримуйте робоче місце в чистоті і добре освітленим. Безлад на робочому місці або темні місця спричиняють аварії.
- Не використовуйте продукт у вибухонебезпечних атмосферах, наприклад, у присутності легко займистих рідин, газів або пилу. Під час роботи косарки виникають іскри, що можуть призвести до займання пилу або парів.
- Тримайте дітей та сторонніх осіб подалі під час роботи електроінструментом. Відволікання уваги може призвести до втрати контролю.

ЕЛЕКТРОБЕЗПЕКА

- Вилка живлення електроінструменту повинна відповідати розетці. Ніколи не змінюйте вилку. Не використовуйте ніякі вилки-перехідники з заземленими (замкнутими на землю) електроінструментами. Не змінені вилки та

відповідні розетки зменшують ризик ураження електричним струмом.

- Уникайте контакту тіла з заземленими поверхнями, такими як труби, радіатори, плити та холодильники. Існує підвищений ризик ураження електричним струмом, якщо ваше тіло заземлене.
- Не надавайте електроінструменти впливу дощу або вологих умов. Попадання води на пристрій збільшує ризик ураження електричним струмом.
- Не зловжуйте шнур. Ніколи не використовуйте шнур живлення для перенесення, переміщення або вилучення вилки з розетки. Тримайте шнур подалі від тепла, масла, гострих кромки або рухомих частин. Пошкоджені або заплутані шнури збільшують ризик ураження електричним струмом.
- При роботі з електроінструментом на вулиці, використовуйте подовжувач, відповідний для використання на відкритому повітрі. Використання кабелю, придатного для використання на відкритому повітрі, знижує ризик ураження електричним струмом.
- При роботі з електроінструментом у вологому середовищі використовуйте залишковий поточний пристрій (ЗПП) захищеного живлення. Використання ЗПП знижує ризик ураження електричним струмом.

ОСОБИСТА БЕЗПЕКА

- Будьте уважні, дивіться, що ви робите, і використовуйте здоровий глузд при експлуатації виробу. Не працюйте з виробом, коли ви втомлені або знаходитесь під дією наркотиків, алкоголю або медикаментів. Найменша необережність при роботі з електроінструментом може призвести до серйозних травм.
- Використовуйте персональне захисне обладнання. Завжди одягайте захисні окуляри. Захисне устаткування, наприклад, респіратор, взуття на нековзній підшві, захисний шолом або засоби захисту органів слуху, використовувати в належних умовах, зменшать ризик отримання травми.
- Заобігайте випадкового запуску. Переконайтеся, що вимикач знаходиться у вимкненому положенні перед підключенням до джерела живлення та / або акумуляторної батареї, підніманням або переміщенням інструменту. Не переносьте електроінструмент з пальцем на вимикачі або подачею живлення на інструмент, який має перемикач, щоб запобігти нещасного випадку.
- Перед включенням електроінструменту знімайте регульовальний або гайковий ключ. Гайковий ключ або регульовальний ключ, залишений на обертаємій частині електроінструменту, може призвести до травми.
- Не тягніться. Зберігайте правильну стійку і баланс весь час. Це дозволяє краще контролювати інструмент в несподіваних ситуаціях.





EN
FR
DE
ES
IT
NL
PT
DA
SV
FI
NO
RU
PL
CS
HU
RO
LV
LT
ET
HR
SL
SK
BG
UK
TR

- **Одягайтеся правильно. Не носіть вільний одяг або прикраси. Keep your hair and clothing away from moving parts.** Вільний одяг, прикраси або довге волосся можуть потрапити в рухомі частини.
- **Якщо є пристрій для підключення для збору пилу, переконайтеся, що вони під'єднані і використовуються правильно.** Використання пилозбірника знижує небезпеку, пов'язану з запиленістю.
- Не дозволяйте звичці від частого використання пристрою стати причиною втрати пильності та ігнорувати принципи безпеки роботи з пристроєм. Пам'ятайте, що достатньо частки секунди, щоб отримати серйозні травми.

ВИКОРИСТАННЯ ТА ДОГЛЯД ЗА ЕЛЕКТРОІНСТРУМЕНТОМ

- **Не перевантажуйте електроінструмент.** Використовуйте відповідний для вашої потреби електроінструмент. Електроінструмент виконає роботу краще і безпечніше при швидкості, для якої він був розроблений.
- **Не використовуйте електроінструмент, якщо перемикач не включає та вимикає його.** Будь-який електроінструмент, який не може управлятися за допомогою перемикача, є небезпечним і має бути відремонтований.
- **Відключіть вилку від джерела живлення та / або від акумулятора електроінструменту, перш ніж робити будь-які регулювання, зміну приладдя або при зберіганні електроінструменту.** Такі запобіжні заходи знижують ризик випадкового запуску приладу.
- **Зберігайте непрацюючі електроприлади у недоступному для дітей місці і не дозволяйте особам, які не знайомі з інструкціями електричного прилада або з даними інструкціями, працювати з електроприладами.** Електроінструменти небезпечні в руках недосвідчених користувачів.
- **Обслуговування електричного пристрою та аксесуарів.** Перевіряйте рухомі частини на наявність зміщення елементів або некоректного з'єднання, а також поломки та будь-яких інших чинників, які можуть вплинути на роботу електроінструменту. Якщо пошкоджений, відремонтуйте електроінструмент перед використанням. Багато нещасних випадків є наслідком поганого догляду за електроінструментом.
- **Тримайте ріжучий інструмент гострим і чистим.** Добре доглянутий ріжучий інструмент з гострими ріжучими крайками рідше зв'язується і легше контролюється.
- **Використовуйте електроприлади, приладдя та насадку відповідно до цих інструкцій, урахуовуючи умови та характер роботи.** Використання електричного інструменту для операцій, які відрізняються від призначених, може призвести до небезпечної ситуації.
- **Тримайте ручки та поверхні захвату сухими, чистими та без слідів мастила та змазки.** Слизькі

ручки та поверхні захвату не забезпечують безпечне маніпулювання та керування інструментом у неочікуваних ситуаціях.

ВИКОРИСТАННЯ І ДОГЛЯД ІНСТРУМЕНТУ НА БАТАРЕЙКАХ

- **Перезаряджати тільки за допомогою зарядного пристрою, зазначеного виробником.** Зарядний пристрій, що підходить для одного типу акумуляторів, може створити ризик загоряння при використанні з іншим акумуляторним блоком.
- **Використовуйте електроінструменти тільки з призначеними для них акумуляторами.** Використання будь-яких інших акумуляторів, може створити ризик отримання травми і пожежі.
- **Коли акумуляторна батарея не використовується, тримайте її подалі від металевих предметів, таких як кліпси, монети, ключі, цвяхи, гвинти або інші невеликі металеві предмети, які можуть замкнути клемаи.** Коротке замикання контактів акумулятора може призвести до опіків або пожежі.
- **У важких умовах експлуатації, рідина може бути випущена з батареї; уникайте контакту.** При випадковому контакті змийте водою. При потрапленні рідини в очі, зверніться за медичною допомогою. Рідина з акумулятора може викликати роздратування або опіки.
- **Заборонено використовувати акумулятор або пристрій, що були пошкоджені або модифіковані.** Використання пошкоджених або модифікованих акумуляторів може мати непередбачувані наслідки, серед яких: виникнення пожежі, вибуху та ризик травмування.
- **Уникайте загоряння та високої температури акумулятору або пристрою.** Загоряння або висока температура понад 130°C можуть стати причиною вибуху.
- **Дотримуйтесь усіх інструкцій щодо заряджання пристрою та уникайте заряджання поза діапазоном температур, що позначені у інструкції.** Неправильне заряджання або заряджання при температурі, поза межами позначеними в інструкції, може пошкодити акумулятор та підвищити ризик виникнення пожежі.

ОБСЛУГОВУВАННЯ

- **Дозволяйте обслуговувати ваш електроінструмент тільки кваліфікованому персоналу, використовуючи тільки ідентичні запасні частини.** Це гарантуватиме безпечну експлуатацію електроінструменту.
- **Заборонено використання пошкоджених акумуляторів.** Обслуговування акумуляторів має бути здійснене тільки виробником або у авторизованому сервісному центрі.





ЗАХОДИ БЕЗПЕКИ ПРИ РОБОТІ З БЕЗДРОТОВОЮ ПИЛКОЮ ДЛЯ ЗРІЗАННЯ ПЛОК

- Під час виконання операції, в якій ріжуче приладдя може контактувати з прихованою проводкою, тримайте електроінструмент тільки за ізольовані поверхні. Під час контакту ріжучого приладдя із дротом під напругою, напруга також може передаватися на металеві частини електроінструменту під напругою й користувач може бути уражений електричним струмом.
- Використовуйте затискачі або інший практичний спосіб забезпечити і підтримувати заготовку на стійкій платформі. Тримання заготовки руками або притискання тілом залишає її незафіксованою і може призвести до втрати контролю.
- Тримайте руки якомога далі від леза. Не стійте під заготовкою. Контакт з лезом пилки може призвести до травм.
- Під час монтажу пилки, одягніть рукавички. При дотику до леза існує небезпека отримання травм.
- Не тримайте пристрій однією рукою або біля вимикача On/Off та тригера, коли замінюєте лезо. Під час ненавмисного увімкнення вимикача On/Off, ви можете себе травмувати.
- Під час заміни леза переконайтеся, що тримач леза вільний від залишків матеріалів таких, як деревна стружка.
- Під час роботи міцно тримайте пристрій однією рукою за ручку.
- Під час пиляння не торкайтесь гачка, леза або вентиляційних отворів.
- Після роботи пристроєм лезо може нагрітись. Не торкайтесь леза доки воно не охолоне.
- Використовуйте пристрій для збору пилу або під'єднайте пилосос для збору пилу при роботі з пристроєм.
- Інформація щодо різальної здатності.
- Інструкція з регулювання інструмента щодо різних положень леза за необхідності.
- Пристрій автоматично перезапущається, якщо він глухне. негайно вимкніть пристрій, якщо якщо він заглох. Не вмикайте пристрій, якщо він заглох, це може спричинити раптову віддачу тригера з високою швидкістю. Визначте чому пристрій заглох та усуньте її, звертаючи особливу увагу на інструкції з безпеки.
- Діапазон температури навколишнього середовища для пристрою (продукту) під час використання від 0°C до 40°C.
- Діапазон температури навколишнього середовища для пристрою (продукту) під час зберігання від 0°C до 40°C.
- Рекомендований діапазон температури зовнішнього середовища для системи заряджання під час заряджання між 10°C та 38°C.

ДОДАТКОВІ ПОПЕРЕДЖЕННЯ З ТЕХНІКИ БЕЗПЕКИ ЩОДО ВИКОРИСТАННЯ АКУМУЛЯТОРІВ

⚠ Попередження

Для запобігання небезпеці пожежі в результаті короткого замикання, травмам і пошкодженню виробів не занурюйте інструмент, змінний акумулятор або зарядний пристрій у рідину і не допускайте потрапляння рідини всередину пристроїв або акумуляторів. Корозійні і струмопровідні рідини, такі як солоний розчин, певні хімікати, вибілювальні засоби або продукти, що їх містять, можуть призвести до короткого замикання.

- Діапазон температури навколишнього середовища для акумулятора під час використання між 0°C та 40°C.
- Діапазон температур зовнішнього середовища під час зберігання акумулятора між 0°C та 40°C.
- Відокремлюйте електронні відходи належним чином, знімаючи перед утилізацією інтегровані акумулятори з основного блоку. Здавайте їх до відповідних пунктів збирання.
- Для зняття вбудованого акумулятора викрутите гвинти та розкрийте корпус пристрою. Від'єднати акумуляторну батарею від ланцюга і видалити.
- **ПРИМІТКА:** Після відкриття, прилад вже не може використовуватися або ремонтуватися - його слід належним чином утилізувати.
- Перед тим як видалити батарею з електроінструменту, увімкніть прилад та тримайте включеним, поки акумуляторна батарея повністю не розрядиться.
- Переконайтеся, що акумулятор, який слід утилізувати, не вступає в контакт з батареями, іншими акумуляторами або струмопровідними матеріалами та захистіть відкриті роз'єми ізоляційними непровідними кришками або стрічкою.

ПЕРЕВЕЗЕННЯ ЛІТЄВИХ БАТАРЕЙ

Здійсніть транспортування акумуляторної батареї відповідно до місцевих та загальнодержавних норм і правил.

Дотримуйтесь всі спеціальні вимоги до упаковки і маркування при транспортуванні батареї третьою стороною. Переконайтеся, що під час транспортування акумулятор не вступає в контакт з іншими акумуляторними батареями або струмопровідними матеріалами та захистіть відкриті роз'єми ізоляційними непровідними кришками або стрічкою. Чи не переносьте акумулятори, тріснуті або бігу. Зв'язатися з нами для отримання подальших рекомендацій.

НЕПЕРЕДБАЧЕНІ РИЗИКИ

Навіть за належного використання інструмента неможливо повністю нейтралізувати певні фактори залишкового ризику. Наступні небезпеки можуть виникати при використанні продукту та оператору слід звернути особливу увагу, щоб уникнути наступного:





- Травми спричинені вібрацією.
 - Використовуйте найменше налаштування швидкості, яке виконує завдання. Обезуйте вплив. Див. розділ "Зменшення ризику" у цьому керівництві.
- Травми, викликані пилом.
 - Пил може потрапити в очі та дихальну систему. Носіть захист для очей у весь час. Носіть відповідну маску від пилу з фільтрами, придатну для захисту від частинок оброблюваного матеріалу. Не їжте, не пийте і не паліть в робочій зоні. Забезпечте належну вентиляцію.
- травми від ураження електричним струмом.
 - Лезо може зв'язатися з прихованою проводкою викликаючи частини продукту, стати під напругою. Завжди тримайте виріб за призначені ручки і будьте обережні при сліпому врізанні в стіни і підлоги, де можуть бути приховані кабелі.
- травми від контакту з лезами
 - Леза дуже гострі і нагріватимуться під час використання. Одягайте рукавички, коли замінюєте леза. Тримайте руки увесь час подалі від зони різання. Затисніть заготівлю, коли це можливо.
- Травми, викликані шумом
 - Шум може пошкодити слух. При використанні електроінструментів протягом тривалого періоду часу, використовуйте засоби захисту органів слуху.

ЗНИЖЕННЯ РИЗИКУ

Відомі випадки, коли вібрація від ручних інструментів сприяє появі так званого синдрому Рейно. Симптоми схожі на ті, що з'являються під впливом холоду, включаючи поколювання, оніміння та збліднення пальців. Вважається, що спадкові чинники, вплив холоду і сирості, харчування, куріння і деякі звички роботи сприяють розвитку цих симптомів. Можна прийняти деякі заходи, які можуть бути прийняті оператором, щоб зменшити вплив вібрації:

- Підтримувати температуру тіла в холодну погоду. При використанні інструменту надягайте рукавички, щоб тримати руки та зап'ястки у теплі. Згідно з дослідженнями, основний внесок в розвиток синдрому Рейно, є холодна погода.
- Вправа для активації кровообігу після кожного запуску.
- Регулярно йдуть на перерву. Лімітуйте кількість роботи на день.

Якщо ви виявили будь-який з цих симптомів, негайно припиніть використання і зверніться до вашого лікаря згідно цих симптомів.

Попередження

Тривале використання інструменту може призвести до травмування або загострення існуючої травми. При використанні приладу протягом тривалого періоду часу, часті перерви.

ТЕХНІЧНЕ ОБСЛУГОВУВАННЯ

Попередження

Продукт не повинен бути підключений до джерела живлення при складанні деталей, регулюванні, чищенні, проведенні технічного обслуговування або коли продукт не використовується. Від'єднання пристрою від мережі живлення унеможливілює випадковий запуск пристрою, який може стати причиною серйозного травмування.

Попередження

При обслуговуванні використовуйте виключно оригінальні запчастини, аксесуари та приладдя. Використання будь-яких інших деталей може бути потенційно небезпечним, або призвести до пошкодження пристрою.

- Під час чищення пластикових частин уникайте використання розчинників. Більшість пластиків чутливі до різних типів технічних розчинників і можуть бути пошкоджені при їх використанні. Використовуйте чисту ганчірку з тканини для видалення бруду, вуглецевого пилу, тощо.

Попередження

Завжди уникайте контакту гальмівної рідини, бензину, продуктів на основі бензину або просочувального мастила з пластиковими деталями. Хімікати можуть пошкодити, розм'якшити або зруйнувати пластик, що може призвести до серйозної травми.

Попередження

Для безпеки і надійності, всі ремонтні роботи повинні виконуватися кваліфікованим фахівцем у сервісному центрі.

ЗНАЙ СВІЙ ПРОДУКТ

Дивіться сторінку 123.

Частини

1. Пильний диск
2. Монтажний затискач.
3. Ручка тримача леза
4. Кнопка блокування запуску
5. Клямка
6. Ручка
7. Гніздо для акумулятора

СИМВОЛИ НА ПРОДУКТІ



Попередження

EN
FR
DE
ES
IT
NL
PT
DA
SV
FI
NO
RU
PL
CS
HU
RO
LV
LT
ET
HR
SL
SK
BG
UK
TR





Перед використанням пристрою прочитайте та зрозумійте всі інструкції. Дотримуйтесь всіх попереджень та інструкцій з безпеки використання.



Одягайте засоби для захисту слуху.



Одягайте захисні окуляри



Носіть неслизькі, надміцні рукавички.



Надягайте маску.



Тримайте руки подалі від лез



Не піддавайте впливу дощу або вологих умов.



Гарантований рівень звукової потужності 94 dB



Не викидати відпрацьовані електричні прилади разом із побутовими відходами Утилізувати у спеціально призначених закладах. За консультацією по утилізації приладу зверніться до органу місцевої влади або дилера



Відповідає всім нормативним стандартам в країнах ЄС, де вироб було придбано.



Євразійська знак відповідності.



Український знак відповідності

СИМВОЛИ В ЦЬОМУ ПОСІБНИКУ



Запчастини та аксесуари, що продаються окремо



ПРИМІТКА



Попередження



Небезпека! Гостре лезо



Швидкість, мінімальна



Швидкість, максимальна

Наступні сигнальні слова і змісти призначені для пояснення рівнів ризику, пов'язаних з продуктом:

НЕБЕЗПЕКА

Вказує на неминуче небезпечну ситуацію, яка, якщо її не уникнути, може призвести до смерті або серйозних травм.

ПОПЕРЕДЖЕННЯ

Вказує на потенційно небезпечну ситуацію, яка, якщо її не уникнути, може призвести до смерті або серйозних травм.

УВАГА

Вказує на потенційно небезпечну ситуацію, яка, якщо її не уникнути, може призвести до легкої або середньої травми.

УВАГА

(Без попереджуючих символів) Вказує на ситуацію, яка може призвести до пошкодження майна.

Kablosuz budama testeresinin tasarımında güvenlik, performans ve güvenilirliğe en yüksek öncelik verilmiştir.

KULLANIM AMACI

Kablosuz budama testeresi, sadece bu el kitabı ve ilgili güç başlığı kılavuzundaki talimat ve uyarıları okuyup anlamış ve hareketlerinden sorumlu tutulabilecek olan yetişkinler tarafından kullanılabilir.

Ürün sadece dış mekanlarda, iyi havalandırılan bir alanda kullanılmak üzere tasarlanmıştır.

Ürün, ağacın yüksek bölümlerinde bulunan küçük, çapı 80 mm ya da daha küçük yaprak ve dalları kesmek için geliştirilmiştir.

Ürün elle kullanılmak üzere tasarlanmıştır. Ürün üreticisi tarafından bu yönde özel talimat verilmedikçe, ürün bir çalışma tezgahına monte edilemez.

Başka herhangi bir amaçla kullanmayın.

ELEKTRİKLI ALET İÇİN GENEL GÜVENLİK TALİMATLARI

⚠ UYARI

Bu ürünle birlikte sağlanan bütün güvenlik uyarı ve talimatlarını, çizim ve teknik özellikleri okuyun. Uyarılara ve talimatlara uymamak elektrik çarpması, yangın ve/veya ciddi yaralanma ile sonuçlanabilir.

İleride başurmak üzere tüm uyarıları ve talimatları saklayın.

Uyarılarda yer alan "elektrikli alet" terimi şebeke gücüyle çalıştırılan (kablolu) elektrikli aleti veya pille çalıştırılan (kablosuz) elektrikli aleti ifade eder.

ÇALIŞMA ALANI GÜVENLİĞİ

- Çalışma alanını temiz tutun ve iyi şekilde aydınlatın. Dağınık veya karanlık alanlar kazaya davetiye çıkarır.
- Elektrikli aletleri yanıcı sıvıların, gazların veya tozun mevcut olduğu patlayıcı atmosferlerde kullanmayın. Elektrikli aletler tozu veya buharları ateşleyebilecek kıvılcımlar oluşturur.
- Bir elektrikli alet kullanırken çocukları ve çevredeki insanları uzaklaştırın. Dikkat dağınıklığı kontrolü kaybetmenize neden olabilir.

ELEKTRİKSEL GÜVENLİK

- Elektrik fişleri prize uygun olmalıdır. Fişi hiçbir zaman hiçbir şekilde değiştirmeyin. Topraklı elektrikli aletlerle birlikte herhangi bir adaptörlü fiş kullanmayın. Üzerinde değişiklik yapılmayan fişler ve uygun prizler elektrik çarpması riskini azaltır.
- Vücudunuzla borular, radyatörler, kuzine ve buzdolabı gibi topraklı ürünlere temas etmekten kaçının. Vücudunuz topraklanırsa yüksek elektrik çarpması riski mevcuttur.
- Ürünü yağmura veya ıslak koşullara maruz bırakmayın. Elektrikli alete su girmesi elektrik çarpması riskini artırır.
- Kabloyu amacı dışında kullanmayın. Kabloyu hiçbir

zaman elektrikli aleti taşımak, çekmek veya fişten çıkarmak için kullanmayın. Kabloyu ısıdan, yağdan, keskin kenarlardan veya hareketli parçalardan uzak tutun. Hasarlı veya dolanmış kablolar elektrik çarpması riskini artırabilir.

- Bir elektrikli aleti açık alanda kullanırken açık alanda kullanıma uygun bir uzatma kablosu kullanın. Açık alanda kullanıma uygun bir kablo kullanmak elektrik çarpması riskini azaltır.
- Eğer bir elektrikli aleti nemli bir yerde kullanmanız kaçınılmazsa bir artık akım cihazı (RCD) korumalı kaynak kullanın. Bir RCD kullanmak elektrik çarpması riskini azaltır.

KİŞİSEL GÜVENLİK

- Bir elektrikli alet kullanırken dikkatli olun, yaptığınız işe dikkat edin ve sağduyulu olun. Yorgunken veya uyuşturucu, alkol veya ilaç etkisi altındayken bir elektrikli alet kullanmayın. Elektrikli aletleri kullanırken bir anlık dikkatsizlik ciddi fiziksel yaralanma ile sonuçlanabilir.
- Kişisel koruyucu ekipman kullanın. Koruyucu gözlük takın. Uygun koşullarda kullanılan toz maskesi, kaymaz güvenlik ayakkabıları, kask veya kulak tıkaçı fiziksel yaralanma riskini azaltacaktır.
- Kazara çalıştırılmasını önleyin. Aleti yerinden alırken veya taşırken güç kaynağına ve/veya pil takımına bağlamadan önce anahtarın kapalı konumda olduğundan emin olun. Elektrikli aletleri parmağınız anahtarın üzerindeyken veya anahtarlı elektrikli aletlerin gücü açıkken taşımak tehlikeye davetiye çıkarır.
- Elektrikli aleti açmadan önce ayar kamasını veya anahtarını çıkartın. Bir ayar anahtarının veya kamanın elektrikli aletin döner parçasına takılı hâlde bırakılması fiziksel yaralanma ile sonuçlanabilir.
- Yukarıya doğru erişmeye çalışmayın. Yere sağlam basın ve dengenizi her zaman koruyun. Bu, beklenmedik durumlarda gücün daha iyi kontrol edilmesini sağlar.
- Uygun şekilde giyinin. Bol kıyafet giymeyin veya takı takmayın. Saçlarınızı ve kıyafetlerinizi hareketli parçalardan uzak tutun. Bol kıyafetler, takı veya uzun saç hareketli parçalara yakalanabilir.
- Eğer toz tahliye ve toplama aparatları için bağlantı cihazları sağlanmışsa bunların doğru şekilde bağlandığından ve kullanıldığından emin olun. Toz toplama aparatı kullanmak tozdan kaynaklanan tehlikeleri azaltabilir.
- Makinelerin sık kullanılması ile elde edilen aşinalığın konsantrasyonunuzu kaybetmesine ve alet güvenliği ilkelerini göz ardı etmenizi sağlamasına izin vermeyin. Dikkatsizce yapılan bir davranış birkaç saniye içinde ciddi yaralanmaya neden olabilir.

ELEKTRİKLI ALET KULLANIMI VE BAKIMI

- Elektrikli aletin kapasitesini zorlamayın. Uygulamanız için doğru elektrikli aleti kullanın. Doğru elektrikli alet tasarlandığı işi daha iyi ve daha güvenli bir şekilde yapacaktır.
- Eğer anahtar açılıp kapanmıyorsa makineyi



kullanmayın. Anahtarla kontrol edilemeyen her elektrikli alet tehlikelidir ve onarılmalıdır.

- **Herhangi bir ayar yapmadan ya da aksesuar değiştirmeden önce fişi güç kaynağından ve/veya pil takımını çıkartılabiliyorsa aletten çıkarın.** Bu gibi önleyici güvenlik tedbirleri elektrikli aletin kazara çalışma riskini azaltır.
- **Boş konumda olan elektrikli aletleri çocukların ulaşamayacağı yerde depolayın ve elektrikli aleti tanımayan veya bu talimatları bilmeyen kişilerin elektrikli aleti kullanmasına izin vermeyin.** Elektrikli aletler eğitimsiz kullanıcıların elinde tehlikelidir.
- **Elektrikli aletlerin ve aksesuarların bakımını yapın.** Hareketli parçaların hiza kaymasını ve bağlantısını, parçaların kırık olup olmadığını ve elektrikli aletin çalışmasını etkileyebilecek diğer durumları kontrol edin. Eğer hasarlıysa elektrikli aleti kullanmadan önce onartın. Pek çok kaza bakımı kötü yapılmış elektrikli aletlerden kaynaklanır.
- **Kesici aletleri keskin ve temiz tutun.** Uygun şekilde bakımı yapılan keskin kesme kenarlarına sahip kesme aletlerinin sıkışma olasılığı daha azdır ve kontrol edilmesi daha kolaydır.
- **Elektrik aleti, aksesuarları ve alet uçlarını vb. çalışma koşullarını ve yapılacak çalışmayı dikkate alarak bu talimatlarla uygun şekilde kullanın.** Elektrikli aleti amaçlananlar dışındaki çalışmaları için kullanmak tehlikeli bir durumun oluşmasına yol açabilir.
- **Kulpları ve kavrama yüzeylerini kuru, temiz ve yağdan ve gresten arındırılmış hâlde tutun.** Kaygan kulplar ve kavrama yüzeyleri beklenmedik durumlarda aletin güvenli şekilde taşınmasına ve kontrol edilmesine izin vermez.

PILLİ ALET KULLANIMI VE BAKIMI

- **Sadece üretici tarafından belirtilen şarj cihazı ile şarj edin.** Tek bir pil takımını tipine uygun bir şarj cihazı başka bir pil takımı ile birlikte kullanıldığında yangın riski oluşturabilir.
- **Elektrikli aletleri sadece özel olarak belirtilmiş pil takımları ile birlikte kullanın.** Başka bir pil takımı kullanmak yaralanma ve yangın riski oluşturabilir.
- **Pil takımı kullanılmadığı zaman ataş, bozuk para, anahtar, çivi, vida ve diğer metal nesnelere gibi bir terminalden diğerine bağlantı oluşturabilecek diğer metal nesnelere uzak tutun.** Pil terminallerinin birlikte kısa devre yapması yanığa veya yangına neden olabilir.
- **Kötü koşullarda pilden sıvı boşalabilir; temas etmekten kaçının. Eğer kazara temas ederseniz temas eden yeri suyla yıkayın. Eğer sıvı gözlerinize temas ederse ek olarak tıbbi yardım alın.** Pilden boşalan sıvı tahrişe veya yanıklara neden olabilir.
- **Hasar görmüş ya da değiştirilmiş pil paketi ya da aleti kullanmayın.** Hasar görmüş ya da değiştirilmiş piller yangın, patlama ya da yaralanma riskine yol açabilecek beklenmeyen davranış sergileyebilir.
- **Pil paketi ya da aleti ateş ya da aşırı ısıya maruz bırakmayın.** Ateş ya da 130°C üzerinde ısıya maruz kalmak patlamaya neden olabilir.

- **Şarj işlemine ilişkin tüm talimatlara uyun ve pil paketi ya da aleti talimatlarda belirtilen sıcaklık aralığı dışında şarj etmeyin.** Belirtilen sıcaklık aralığı dışında şarj edildiğinde pil zarar görebilir ve yangın riski artar.

SERVİS

- **Elektrikli aletinizi sadece aynı yedek parçaları kullanarak nitelikli bir tamirciye onartın.** Bu, elektrikli aletin güvenliğinin muhafaza edilmesini sağlar.
- **Hasarlı pil takımlarına asla bakım uygulamayın.** Pil takımlarının bakımı üretici ya da yetkili hizmet sağlayıcılar tarafından yapılmalıdır.

KABLOSUZ BUDAMA TESTERESİ GÜVENLİK UYARILARI

- Elektrik kablolar içerebilecek bir yüzey üzerinde çalıştığınızda aleti yalnızca yalıtılmış veya kaymayan kısımlarından tutunuz. Kesici aksesuarın elektrik geçen kabloyla temas etmesi, elektrikli aletin metal parçalarının elektrikle yüklenmesine ve kullanıcının elektrikle çarpılmasına neden olabilir.
- İşlenen parçayı sabit bir platforma tespit edip desteklemek için mengine veya başka bir pratik yöntem kullanın. İşi elinizde tutmak ya da vücudunuza dayamak dengesiz olmasına yol açar ve kontrol kaybına neden olabilir.
- Ellerinizi testere kesim aralığından uzak tutun. Çalışma parçasının altına ulaşmayın. Testere bıçağı ile temas edilmesi yaralanmalara yol açabilir.
- Testere bıçağını takarken koruyucu eldiven giyin. Testere bıçağına dokunulması yaralanma tehlikesi doğurur.
- Testere bıçağını değiştirirken, ürünü tek elinizle Açma / Kapama düğmesi ve tetiğin üstünde ya da etrafında olacak şekilde tutmayın. Açma / Kapama düğmesi istenmeden açıldığında yaralanma tehlikesi vardır.
- Testere bıçağını değiştirirken tutucuda talaş gibi materyal kalıntısı olmadığından emin olun.
- Testereyi kullanırken ürünün tutamağını tek elinizle sıkıca tutun.
- Testereyi kullanırken kanca, bıçak ya da hava boşluklarına dokunmayın.
- Testereyi kullandıktan sonra bıçağı sıcak olabilir. Dokunmadan önce testere bıçağının soğumasını bekleyin.
- Ürünü işleme alırken toz toplama makinesi kullanın ya da toz vakumu bağlayın.
- Kesme kapasitesine ilişkin bilgi.
- Eğer varsa aleti farklı testere bıçağı pozisyonlarına göre ayarlamaya ilişkin talimat.
- Ürün stop ettiğinde, otomatik olarak yeniden çalışır. Stop ettiğinde, ürünü derhal kapatın. Stop etmekte olan ürünü yeniden çalıştırmayın, böylece bir davranış çok güçlü bir geri tepmeye yol açabilir. [Matkap ucu / bıçak / eklenti]nin durma sebebinin tespiti edin ve güvenli talimatlarını dikkate alarak sorunu çözün.
- Alet için ortam sıcaklığı aralığı çalışma sırasında 0°C ile 40°C arasındadır.



- Alet için depolama ortam sıcaklığı aralığı 0°C ile 40°C arasındadır.
- Şarj sırasında şarj sistemi için önerilen ortam sıcaklığı aralığı 10°C ile 38°C arasındadır.

PİL İÇİN EK GÜVENLİK UYARILARI

⚠ UYARI

Bir kısa devreden kaynaklanan yangın, yaralanma veya ürün hasarları tehlikesini önlemek için aleti, güç paketini veya şarj cihazını asla sıvıların içine daldırmayınız ve cihazların ve pillerin içine sıvı girmesini önleyiniz. Tuzlu su, belirli kimyasallar, ağartıcı madde veya ağartıcı madde içeren ürünler gibi korozyf veya iletken sıvılar kısa devreye neden olabilir.

- Batarya için ortam sıcaklığı aralığı çalışma sırasında 0°C ile 40°C arasındadır.
- Batarya için depolama ortam sıcaklığı aralığı 0°C ile 20°C arasındadır.
- İmha etmeden önce entegre batarya kutularını ana üniteden çıkararak elektronik atıkları düzgün bir şekilde ayırın. Bunları uygun toplama noktalarına teslim edin.
- Entegre pil paketini çıkarmak için vidaları çıkararak muhafaza kapaklarını birbirinden ayırın. Batarya kutusunu devreden kesin ve çıkarın.
- **NOT:** Açıldığında, ürün tekrar kullanılamaz ya da faydalı olmaz ve uygun şekilde imha edilmelidir.
- Batarya kutusunu elektrikli aletten çıkarmadan önce, ürünü batarya kutusunun şarjı tamamen boşalana kadar çalıştırın.
- Açıkta kalan konnektörleri iletken olmayan kapak veya bantlarla izole ederek imha edilecek batarya kutusunun bataryalar, diğer batarya kutuları veya iletken malzemeler ile temas etmeyeceğinden emin olun.

LİTYUM BATARYALARIN TAŞINMASI

Bataryayı yerel ve ulusal hükümlere ve yönetmeliklere uygun şekilde taşıyın.

Bataryalar üçüncü bir şahıs tarafından taşındığında ambalaj ve etiket üzerindeki tüm özel koşullara uyun. Açıkta konnektörleri yalıtkan, iletken olmayan başlıklar veya bant ile koruyarak hiçbir bataryanın taşıma sırasında diğer bataryalarla veya iletken malzemelerle temas etmediğinden emin olun. Çatlak veya sızdıran bataryaları taşımayın. Ek tavsiye için nakliye şirketi ile birlikte kontrol edin.

ARTIK RİSKLER

Ürün belirtilen şekilde kullanıldığında bile belirli artık risk faktörlerini tamamen ortadan kaldırmak mümkün değildir. Kullanım sırasında aşağıdaki tehlikeler ortaya çıkabilir ve kullanıcının aşağıdaki durumları önlemek için özellikle dikkatli olması gerekir:

- Titreşim nedeniyle yaralanma.
 - Görevi yerine getirebilecek en düşük hızı seçin. Maruziyet seviyesini sınırlandırın. Bu kılavuzda "Risk Azaltma" kısmına bakın.
- Toz kaynaklı yaralanmalar

- Gözünüz ya da solunum sisteminize toz kaçabilir. Her zaman uygun kulak tıkacı takın. Kesilmekte olan malzemeden yayılabilecek partiküllere karşı koruma sağlamaya uygun filtrelerle donatılmış, uygun toz kontrol maskeleri kullanın. Çalışma alanı içinde bir şey yemeyin, içmeyin veya sigara içmeyin. Yeterli havalandırma olduğundan emin olun.

- elektrik çarpması yaralanması
 - Bıçak gizlenmiş kablolarla temas ederek ürünün parçalarına "güç verilmesine" neden olabilir. Ürünü her zaman gösterilen saplardan tutun ve kabloların gizlenmiş olabileceği duvarlarda veya zeminlerde kör kesim yaparken dikkatli olun.
- bıçaklara temastan yaralanması
 - Bıçaklar çok keskindir ve kullanım sırasında ısınır. Bıçakları değiştiren eldiven takın. Ellerinizi her zaman kesme alanından uzak tutun. Mümkün olduğunda iş parçasını kelepçelerle sabitleyin.
- Gürültü nedeniyle yaralanma
 - Gürültüye maruz kalmak işitme sorunlarına neden olabilir. Elektrikli aletleri uzun süre kullandığınızda kulak tıkacı takın.

RİSK AZALTMA

El aletlerinden kaynaklanan titreşimlerin belirli kişilerde Raynaud Sendromu adı verilen bir durumu etkilediği bildirilmiştir. Semptomlar içerisinde parmaklarda genellikle soğuğa maruz kaldığında açığa çıkan karıncalanma, hissizlik ve ağarma yer bulunabilir. Kalıtsal faktörler, soğuğa ve neme maruz kalma, diyet, sigara içme ve çalışma uygulamalarının hepsinin bu semptomların gelişimini etkilediği düşünülmektedir. Titreşim etkilerini azaltmak için kullanıcı tarafından alınabilecek önlemler vardır:

- Soğuk havada vücut ısınızı koruyun. Ürünü kullanırken ellerinizi ve bileklerinizi sıcak tutmak için eldiven giyin. Soğuk havanın Raynaud Sendromu'nu etkileyen önemli bir faktör olduğu bildirilmiştir.
- Her kullanım süresinden sonra kan dolaşımını artırmak için egzersiz yapın.
- Sık çalışma molası verin. Günlük maruz kalma miktarını sınırlayın.

Eğer bu durumla ilgili herhangi bir semptom görürseniz çalışmayı derhal bırakın ve doktorunuza başvurun.

⚠ UYARI

Ürünün uzun süre kullanılması nedeniyle yaralanmalar meydana gelebilir veya kötüleşebilir. Herhangi bir alet uzun süre kullanıldığında düzenli molalar verdiğinizden emin olun.

BAKIM

⚠ UYARI

Parçaları takarken, ayarlama yaparken, temizlerken, bakım yaparken veya kullanımda değilken ürünün elektrik bağlantısı kesilmelidir. Aleti güç kaynağından çıkartmak, ciddi yaralanmalara yol açabilecek kazara çalıştırmayı önler.

⚠ UYARI

Bakım yaparken yalnızca orijinal yedek parçaları, aksesuarları ve parçaları kullanın. Başka herhangi bir parçanın kullanılması tehlike oluşturabilir veya ürünün zarar görmesine neden olabilir.

- Plastik parçaları temizlerken çözücü kullanmaktan kaçının. Plastik parçaların büyük bölümü çeşitli tipte ticari çözücülerden kaynaklı hasara duyarlıdır ve kullanılmaları nedeniyle zarar görebilir. Lekeleri, tozu, vb. temizlemek için temiz bir bez kullanınız.

⚠ UYARI

Fren sıvılarının, benzinin, petrol bazlı ürünlerin, nüfuz edici yağın vb. hiçbir zaman plastik parçalarla temas etmesine izin vermeyin. Kimyasal maddeler plastik parçalara zarar verebilir, zayıflatabilir veya yok edebilir ve ciddi fiziksel yaralanma ile sonuçlanabilir.

⚠ UYARI

Güvenliği ve güvenilirliği arttırmak için tüm onarım çalışmaları yetkili bir servis merkezi tarafından gerçekleştirilmelidir.

ÜRÜNÜZÜ TANIYIN

Bkz. sayfa 123.

Parçalar

1. Testere bıçağı
2. Montaj kelepçesi
3. Bıçak kelepçesi kolu
4. Tetik kilitleme düğmesi
5. Tetik
6. Kulp
7. Pil yuvası

ÜRÜN ÜZERİNDEKİ SEMBOLLER



Güvenlik ikazı



Ürünü çalıştırmadan önce bütün talimatları okuyup anlayın. Tüm uyarı ve güvenlik talimatlarına uyun.



Kulak tıkacı takın.



Koruyucu gözlük takın.



Kaymaz, ağır iş eldiveni giyin.



Maske takın.



Ellerinizi bıçaklardan uzak tutun.



Ürünü yağmura veya nemli koşullara maruz bırakmayın.



Güvenceli ses gücü seviyesi 94 dB



Atık elektrikli ürünler evsel atıklarla birlikte atılmamalıdır. Lütfen tesislerin mevcut olduğu yerlerde geri dönüştürün. Geri dönüşüm tavsiyesi için bölgenizdeki yetkili mercie veya satıcıya başvurun.



Ürünün satın alındığı AB ülkesindeki tüm düzenleyici standartlara uygundur.



EurAsian Uygunluk İşareti



Ukrayna uygunluk işareti.

BU KILAVUZDAKİ SEMBOLLER



Ayrı satılan parçalar veya aksesuarlar



Not



Uyarı



Tehlike! Keskin bıçak



Hız, minimum



Hız, en

Aşağıdaki işaret sözcükler ve anlamları bu ürünle ilişkili risk seviyelerinin açıklanmasına yöneliktir:

⚠ TEHLİKE

Önlenmemesi durumunda ölüm veya ciddi yaralanma ile sonuçlanacak ciddi tehlike içeren bir durumu gösterir.

⚠ UYARI

Önlenmemesi durumunda ölüm veya ciddi yaralanma ile sonuçlanabilecek potansiyel olarak tehlikeli bir durumu gösterir.

İKAZ

Önlenmemesi durumunda önemsiz veya orta derece yaralanma ile sonuçlanabilecek potansiyel olarak tehlikeli bir durumu gösterir.

İKAZ

(Güvenlik Uyarısı Sembolü Olmadığında) Maddi hasarla sonuçlanabilecek bir durumu gösterir.

EN

FR

DE

ES

IT

NL

PT

DA

SV

FI

NO

RU

PL

CS

HU

RO

LV

LT

ET

HR

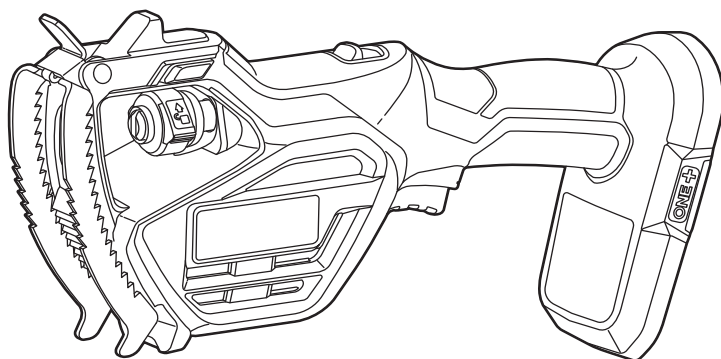
SL

SK

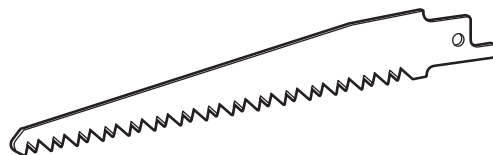
BG

UK

TR



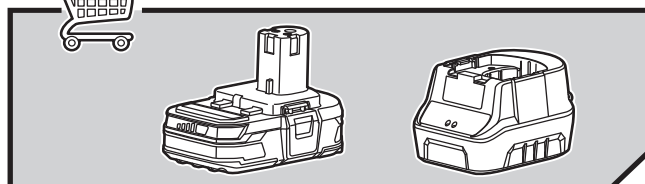
x 1

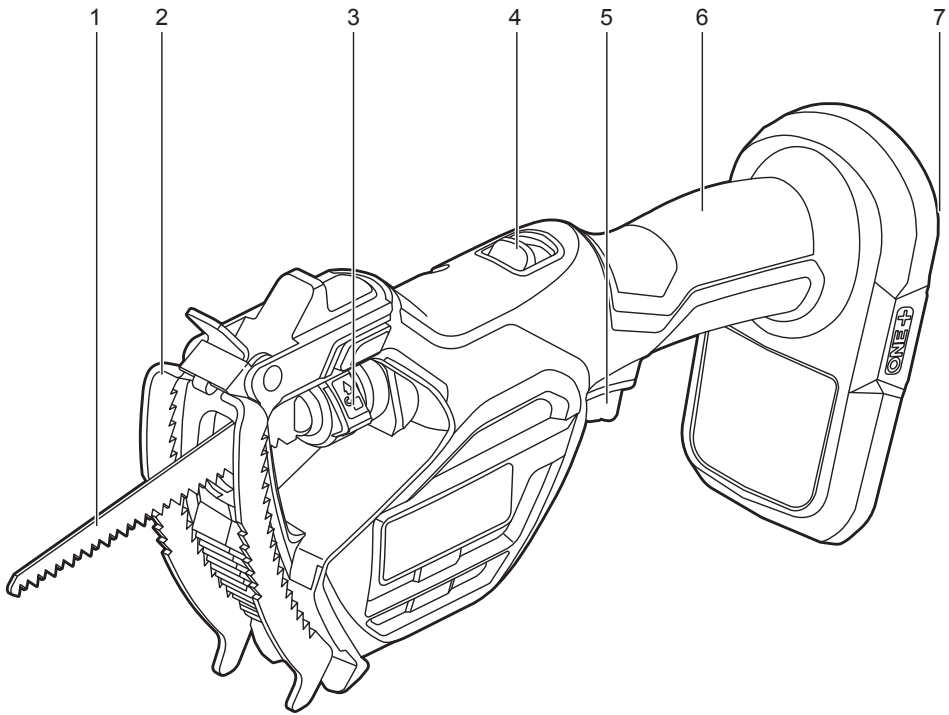


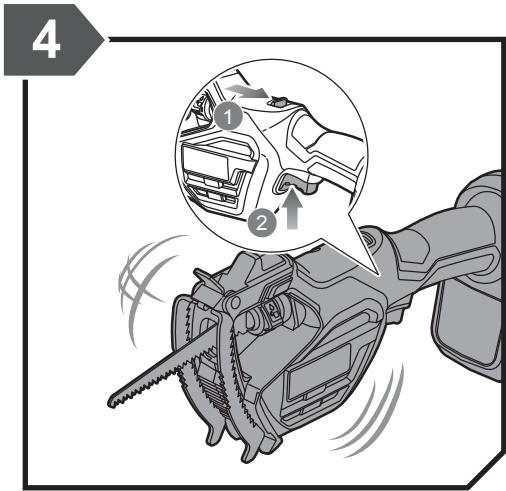
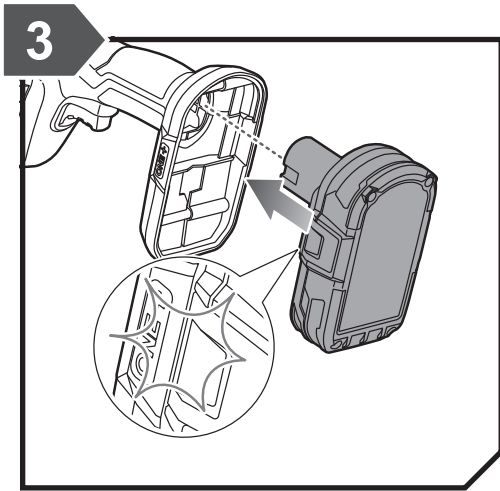
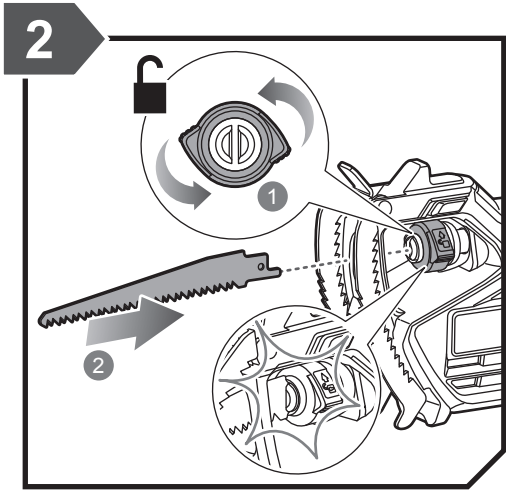
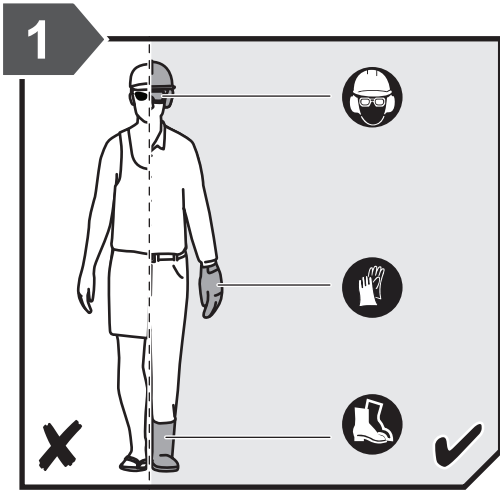
x 1

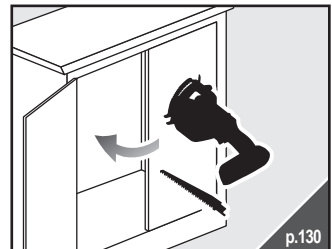
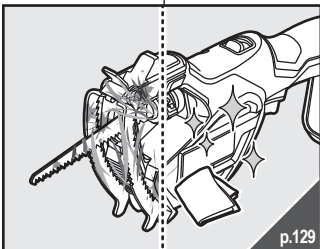
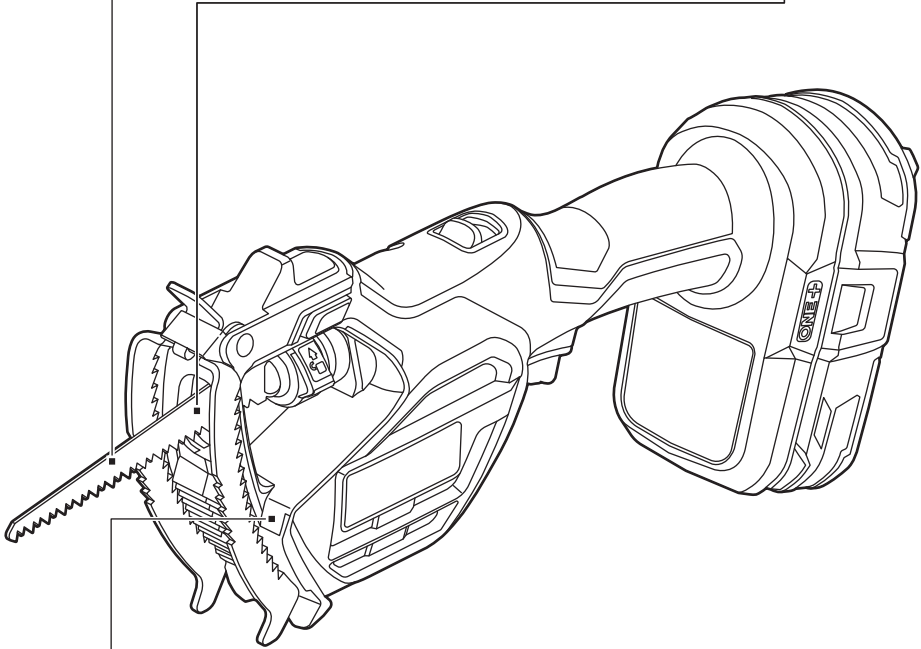
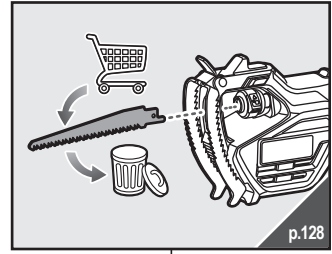
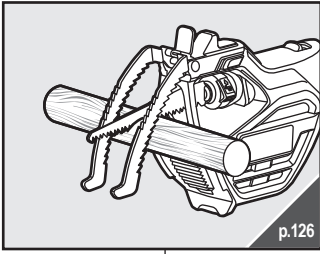


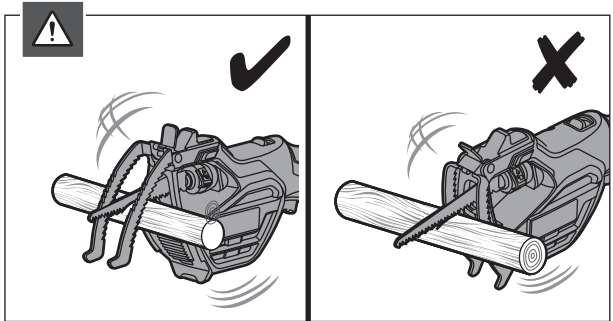
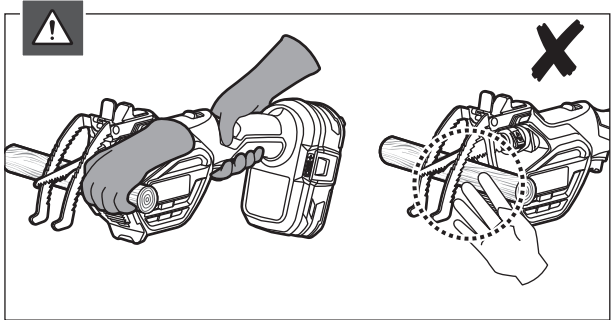
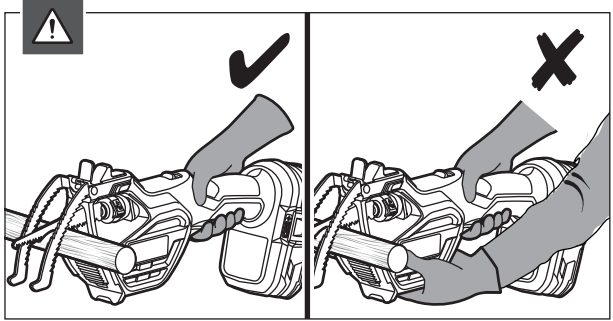
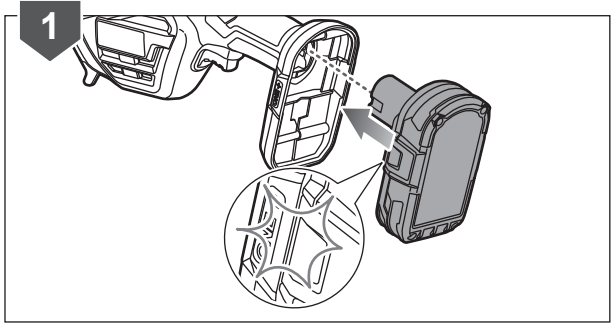
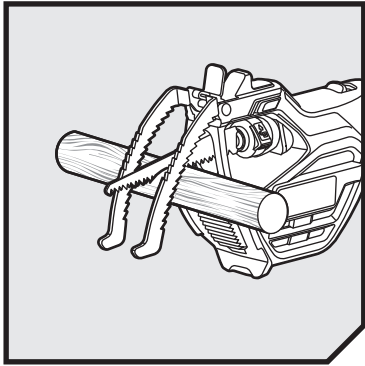
x 1

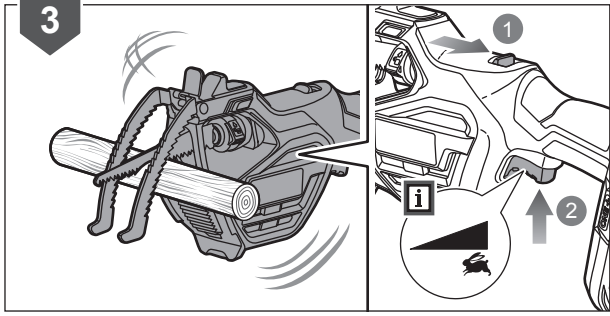
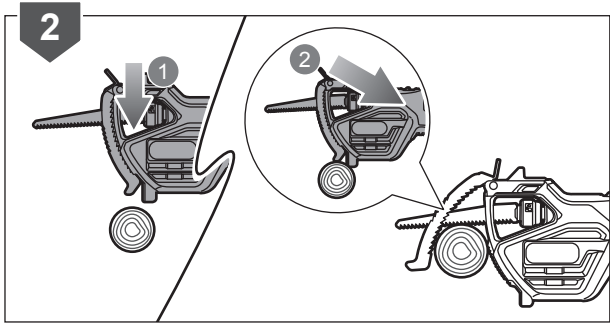


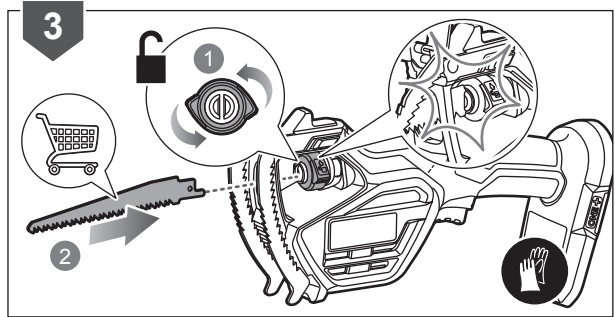
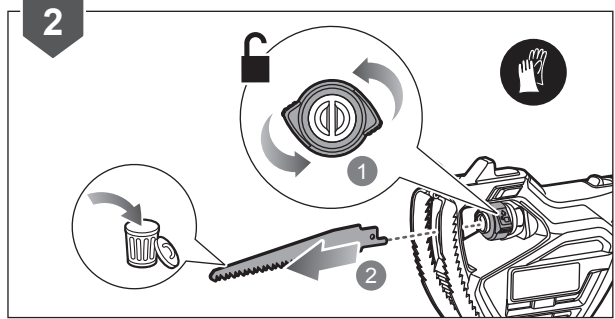
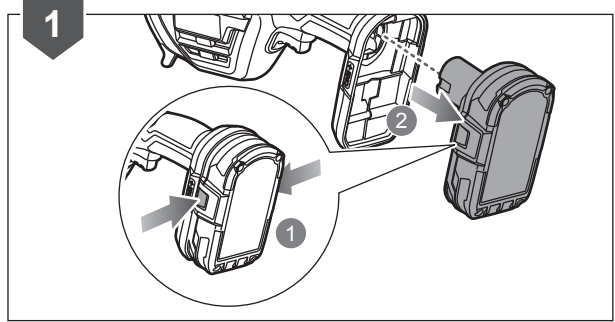
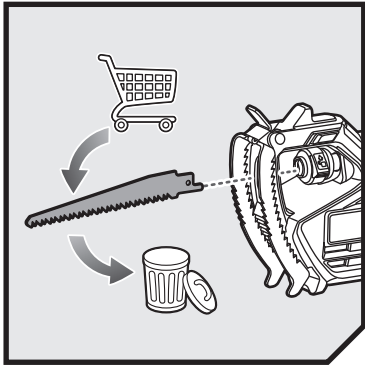


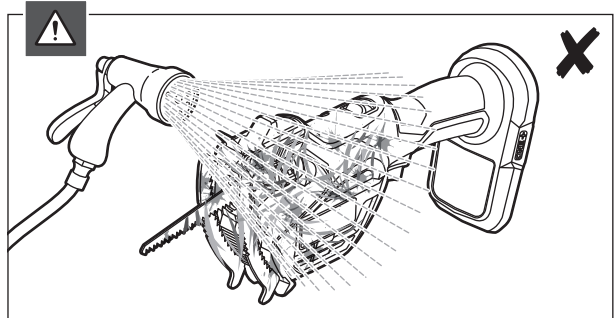
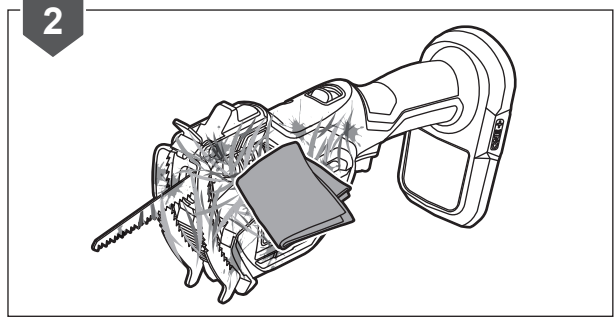
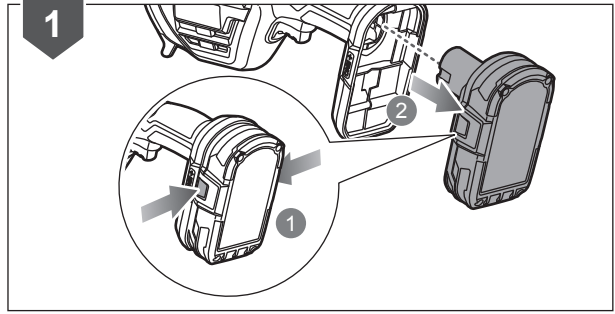
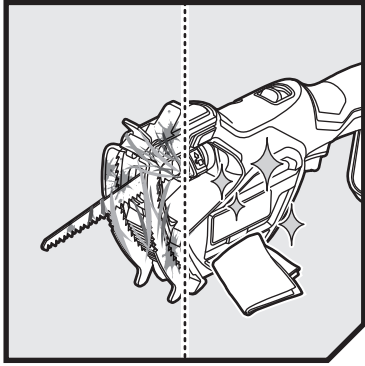


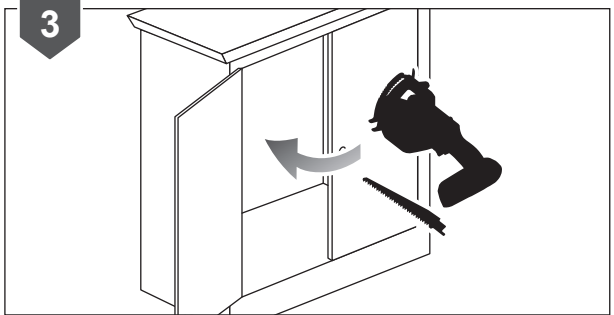
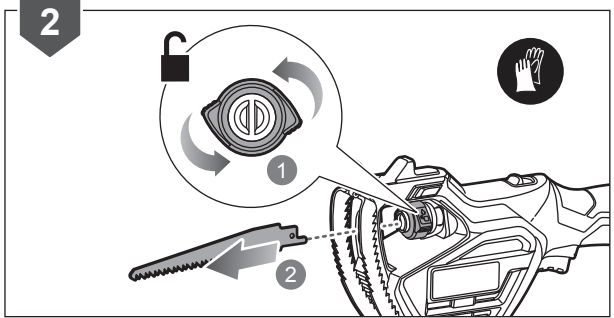
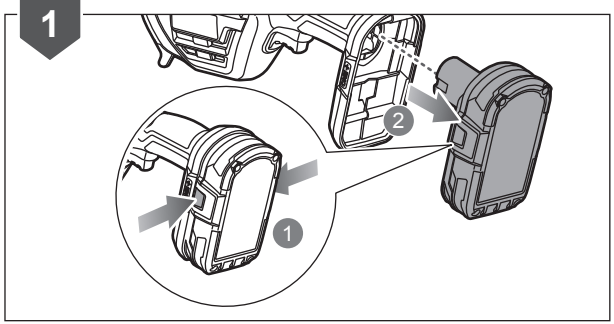
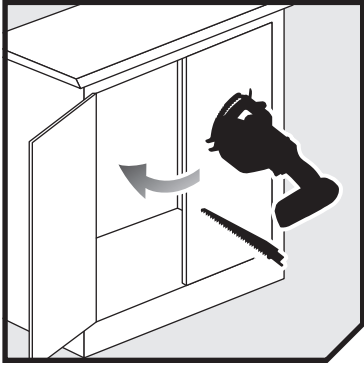














English	Français	Deutsch	Español	Italiano
Product specifications	Caractéristiques produit	Produkt-Spezifikationen	Características del producto	Caratteristiche del prodotto
Cordless Pruning Saw	Scie d'élagage sans fil	Akku-Baumsäge	Sierra de poda inalámbrica	Lama di potatura senza fili
Model	Modèle	Modell	Modelo	Modello
Voltage	Tension	Elektrische Spannung	Tensión	Voltaggio
Weight	Poids	Gewicht	Peso	Peso
Without battery pack	Sans batterie	Ohne Akku	Sin batería	Senza batteria
With heaviest battery pack	avec la batterie la plus grosse	mit größtem Akku	Con la batería más pesada	con le batterie più pesanti
Cutting speed	Vitesse de coupe	Sägegeschwindigkeit	Velocidad de corte	Velocità di taglio
Cutting capacity	Capacité de coupe	Schnittbreite Durchmesser	Capacidad de corte	Capacità di taglio
With clamping jaw	Avec mors de serrage	Mit Klemmbacke	Con mordaza de fijación	Con elemento di serraggio
Without clamping jaw	Sans mors de serrage	Ohne Klemmbacke	Sin mordaza de fijación	Senza elemento di serraggio
Vibration total values determined according to EN 62841-1 and EN 62841-2-11	Valeurs totales de vibration déterminées selon la norme EN 62841-1, EN 62841-2-11 :	Vibrationswerte gemäß EN 62841-1, EN 62841-2-11:	Valores totales de vibración determinados de acuerdo con lo establecido en la norma EN 62841-1, EN 62841-2-11:	Valori totali delle vibrazioni determinati secondo EN 62841-1, EN 62841-2-11:
Vibration emission value	Vibration emission value	Vibration emission value	Valor de emisión de vibración en	Valore di emissione vibrazioni
Uncertainty of measurement	Incertitude de la mesure	Unsicherheit der Messung	Incertidumbre de medición	Incertezza delle misurazioni
Noise emission values determined according to EN 62841-1 and EN 62841-2-11	Valeurs d'émission sonore déterminées selon la norme EN 62841-1, EN 62841-2-11	Geräuschemissionswerte gemäß EN 62841-1, EN 62841-2-11	Valores de emisiones de ruido determinados de acuerdo con lo establecido en la norma EN 62841-1, EN 62841-2-11	Valori di emissione sonora determinati secondo EN 62841-1, EN 62841-2-11
A-weighted sound pressure level at the operator's position	Niveau de pression sonore pondéré-A au niveau de l'opérateur	A-bewerteter Schalldruckpegel an der Position des Anwenders	Nivel de presión sonora ponderado A en la posición del operario	Livello di pressione sonora pesato A alla posizione dell'operatore
A-weighted sound power level	Niveau de puissance sonore pondéré-A	A-bewerteter Schalleistungspegel	Nivel de potencia acústica ponderada en A	Livello di potenza sonora pesato A
Uncertainty of measurement	Incertitude de la mesure	Unsicherheit der Messung	Incertidumbre de medición	Incertezza delle misurazioni

Nederlands	Português	Dansk	Svenska	
Productgegevens	Características do aparelho	Produktspecifikationer	Produktspecifikationer	
Snoerloze snoeizaag	Serra de podar sem fios	Trådløs beskærings sav	Sladdlös beskärningssåg	
Model	Modelo	Model	Modell	RY18PSA
Spanning	Voltagem	Spænding	Spänning	18V d.c.
Peso	Peso	Vikt	Vægt	
Zonder accupak	Sem bateria	Ingen batteri	Utan batteri	1,1 kg
met zwaarste batterij	Com bateria mais pesada	med tungeste batteri	med tyngsta batteriet	2,3 kg
Snijsnelheid	Velocidade de corte	Skærehastighed	Skårhastighet	1600–2600 spm (stroke per minute)
Snijcapaciteit	Capacidade de corte	Skærekapacitet	Trimningskapacitet	
Met klembek	Com mandíbula de aperto	Med spændekæbe	Med klämbäck	65 mm
Zonder klembek	Sem mandíbula de aperto	Uden Med spændekæbe	Utan klämbäck	80 mm
Totaalwaarden voor vibratie bepaald overeenkomstig EN 62841-1, EN 62841-2-11:	Valores totais de vibrações obtidos de acordo com a Norma EN 62841-1, EN 62841-2-11:	Samlede værdier for vibration fastsat i henhold til EN 62841-1, EN 62841-2-11:	Totala vibrationsvärden fastställda enligt EN 62841-1, EN 62841-2-11:	
Trillingsemisiewaarde	Valor de emissão de vibrações	Vibrationsemissionsværdi	Emissionsvärde vibration	$a_{h,B} = 23,1 \text{ m/s}^2$
				$a_{h,WB} = 14,6 \text{ m/s}^2$
Onzekerheid bij meting	Incerteza de medições	Målingsusikkerhed	Osäkerhet för mätt	$K = 1,5 \text{ m/s}^2$
Waarden voor geluidsemisie bepaald overeenkomstig EN 62841-1, EN 62841-2-11	Valores de emissão de ruído obtidos de acordo com a Norma EN 62841-1, EN 62841-2-11	Støjemissionsværdier fastsat i henhold til EN 62841-1, EN 62841-2-11	Bullernivåer fastställda enligt EN 62841-1, EN 62841-2-11	
A-gewogen geluidsdruk niveau op de plaats van de bediener	Nível de pressão sonora ponderado A na posição do operador	A-vægtet lydtryksniveau ved operatørens position	A-viktad ljudtrycksnivå vid operatörsplats	$L_{PA} = 79,2 \text{ dB(A)}$
A-gewogen geluidsniveau	Nível de potência sonora ponderada A	A-vægtet lydeffektniveau	A-vägd ljudeffektnivå	$L_{WA} = 90,2 \text{ dB(A)}$
Onzekerheid bij meting	Incerteza de medições	Målingsusikkerhed	Osäkerhet för mätt	$K = 3,0 \text{ dB}$
				$L_{WA} + K = 93 \text{ dB(A)}$



Suomi	Norsk	Русский	Polski	Čeština
Tuotteen tekniset tiedot	Produktspesifikasjoner	Характеристики изделия	Parametry techniczne	Technické údaje produktu
Akkuokasaha	Trådløs trebeskjæringssag	Беспроводная пила для обрезки ветвей	Przycinarka akumulatorowa	Akumulátorová vyvėtovací pila
Malli	Modell	Модель	Model	Model
Jännite	Spenning	Напряжение	Napięcie	Elektrické napětí
Vekt	Paino	Вес	Greutate	Waga
Ilman akkua	Uten batteri	Без аккумулятора	Bez akumulatora	Není vložen akumulátor
painavimmalla akulla	med det kraftigste batteriet	с самой тяжелой батареей	z najcięższym akumulatorem	s nejtěžší baterií
Leikkuunopeus	Kuttehastighet	Скорость резки	Prędkość cięcia	Rychlost řezání
Leikkauskapasiteetti	Klippekapasitet	Сокращение вместимости	Szerokość cięcia	Řezací kapacita
Kiinnitysleullinen	Med klemmekjeve	С захватом	Ze szczęką zaciskową	S upínací čelistí
Kiinnitysleuatton	Uten klemmekjeve	Без захвата	Bez szczęki zaciskowej	Bez upínací čelisti
Standardin EN 62841-1, EN 62841-2-11 mukaiset tärinäarvot:	Totale vibrasjonsverdier bestemt i henhold til EN 62841-1, EN 62841-2-11:	Общие значения вибрации получены в соответствии со стандартом EN 62841-1, EN 62841-2-11:	Łączne poziomy vibracji określone zgodnie z normą EN 62841-1, EN 62841-2-11:	Hodnoty vibrací celkem určeny podle EN 62841-1, EN 62841-2-11:
Tärinäpäästöarvo	Verdien på utslippet fra vibreringen	Значение вибрационного воздействия	Poziom emisji vibracji	Úroveň vibrací
Mittausten epätarkkuus	Usikkerhet ved måling	Погрешность измерения	Niepewność pomiaru	Nejistota měření
Standardin EN 62841-1, EN 62841-2-11 mukaiset melupäästöarvot	Støyemisjonsverdier fastsatt etter EN 62841-1, EN 62841-2-11	Значения уровней шума получены в соответствии со стандартом EN 62841-1, EN 62841-2-11	Poziomy emisji hałasu określone zgodnie z normą EN 62841-1, EN 62841-2-11	Hodnoty hladiny hluku určeny podle EN 62841-1, EN 62841-2-11
A-painotettu käyttäjään kohdistuva äänenpainetaso	A-vektet lydtrykk ved operatørposisjon	Амплитудно-взвешенный уровень звукового давления на рабочем месте оператора	Poziom ważonego ciśnienia akustycznego w pozycji operatora	Hladina akustického výkonu vážená funkci A v poloze obsluhy
A-painotettu äänenteho	A-vektet lydeffektivit	Уровень А-взвешенной звуковой мощности	A-ważony poziom natężenia hałasu	Hladina akustického tlaku vážená funkci A
Mittausten epätarkkuus	Usikkerhet ved måling	Погрешность измерения	Niepewność pomiaru	Nejistota měření





Magyar	Română	Latviski	Lietuviškai	
Termék műszaki adatai	Specificațiile produsului	Produkta specifikācijas	Gaminio techninės savybės	
Akkumulátoros kézfűrész	Fierăstrău de tăiat crengi fără fir	Akumulatoru zaru zāģis	Akumulatorinis šakų genėtuvas	
Típus	Model	Modelis	Modelis	RY18PSA
Feszültség	Tensiune	Spriegums	Įtampa	18V d.c.
Bec	Tömeg	Teža	Težina	
Akkumulátor nélkül	Fără baterie	Bez akumulatora	Be akumulatorinės baterijos	1,1 kg
a legnehezebb akkumulátorral	cu cea mai grea baterie	ar smagāko bateriju	su sunkiausia baterija	2,3 kg
Vágási sebesség	Viteză de tăiere	Griešanas ātrums	Pjovimo greitis	1600–2600 spm (stroke per minute)
Vágási teljesítmény	Lungimea de tăiere	Griešanas dziļums	Pjovimo talpa	
Szorítófóval	Cu falcă de prindere	Ar iespiešanas skavu	Su spaustuvu	65 mm
Szorítófofa nélkül	Fără falcă de prindere	Bez iespiešanas skavas	Be spaustuvo	80 mm
A rezgés kibocsátási értékek meghatározása az EN 62841-1, EN 62841-2-11 szabvány szerint történt.	Valori ale vibrațiilor determinate conform EN 62841-1, EN 62841-2-11:	Vibrāciju kopējās vērtības, kas noteiktas saskaņā ar EN 62841-1, EN 62841-2-11:	Vibracijos bendrosios vertės nustatytos pagal EN 62841-1, EN 62841-2-11:	
Rezgés kibocsátási értéke	Vibration emission value	Vibrāciju veidošanās vērtība	Vibracijos emisijos vertė	$a_{h, B} = 23,1 \text{ m/s}^2$
				$a_{h, WB} = 14,6 \text{ m/s}^2$
Mérés bizonytalansága	Nesiguranța măsurătorii	Mērījuma nenoteiktība	Matavimo paklaida	$K = 1,5 \text{ m/s}^2$
A zajkibocsátási értékek meghatározása az EN 62841-1, EN 62841-2-11 szabvány szerint történt.	Valori ale emisiilor sonore determinate conform EN 62841-1, EN 62841-2-11	Trokšņu līmeņa vērtības, kas noteiktas saskaņā ar EN 62841-1, EN 62841-2-11	Triukšmo emisijos vertės nustatytos pagal EN 62841-1, EN 62841-2-11	
A-súlyozott hangnyomásszint a kezelő helyén	Valoare A nivel presiune zgomot la poziția operatorului	A–novērtējuma skaņas spiediena līmenis operatora darba vietā	A dažnīnės charakteristikos garso slėgio lygis operatoriaus vietoje	$L_{PA} = 79,2 \text{ dB(A)}$
A-súlyozott hangteljesítményszint	Nivel de putere acustică ponderată A	A-līmeņa skaņas jaudas līmenis	A-svertinis akustinis lygis	$L_{WA} = 90,2 \text{ dB(A)}$
Mérés bizonytalansága	Nesiguranța măsurătorii	Mērījuma nenoteiktība	Matavimo paklaida	$K = 3,0 \text{ dB}$
				$L_{WA} + K = 93 \text{ dB(A)}$



Eesti	Hrvatski	Slovensko	Slovenčina
Toote tehnilised andmed	Spetsifikacije proizvoda	Spetsifikacije izdelka	Špeticifikácie produktu
Juhtmeta oksasaag	Akumulatorska pila za orezivanje	Brezžična obrezovalna žaga	Akumulátorová píla na prerezávanie
Mudel	Model	Model	Modelis
Pinge	Napon	Napetost	Napätie
Mass	Masë	Svars	Hmotnosť
Ilma aku pakita	Bez baterije	Brez baterijskega	Bez batérie
kõige võimsama akuga	s najvećem baterijom	z najtežjo baterijo	s najtažšim akumulátorom
Lõikekiirus	Brzina rezanja	Hitrost žaganja	Rezná rýchlosť
Lõikevõimsus	Duljina rezanja	Kapaciteta rezanja	Kapacita rezania
fikseeritud haaratsiga	Sa steznom čeljusti	Z vpenjalno čeljustjo	S príchytňou čelustňou
fikseerimata haaratsiga	Bez stezne čeljusti	Brez vpenjalne čeljusti	Bez príchytňej čeluste
Vibratsioonitase, mis määratakse vastavalt standardile EN 62841-1, EN 62841-2-11:	Ukupne vrijednosti vibracije određene su u skladu sa standardom EN 62841-1, EN 62841-2-11:	Skupne vrednosti vibracij, določene v skladu z EN 62841-1, EN 62841-2-11:	Celkové hodnoty vibrácií stanovené podľa normy EN 62841-1, EN 62841-2-11:
Vibratsioonitase	Vrijednost emisije vibracija	Vibration emission value	Hodnota emisií vibrácií
Mõõtmismääramatus	Neodređenost mjerenja	Negotovost meritve	Nespoľahľivosť meraní
Müratase mis määratakse vastavalt standardile EN 62841-1, EN 62841-2-11	Vrijednosti emisije buke određene su u skladu sa standardom EN 62841-1, EN 62841-2-11	Vrednosti emisij hrupa, določene v skladu z EN 62841-1, EN 62841-2-11	Hodnoty emisií hluku stanovené podľa normy EN 62841-1, EN 62841-2-11
A-kaalutud helirõhu tase operatori tükohal	A-ponderirana razina zvučnog tlaka u položaju operatera	A-vrednotena raven zvočnega tlaka na položaju upravljalca	Vážená A hladina akustického tlaku na pozícii operátora
A-kaalutud helivõimsuse tase	Ponderirana razina zvučne snage	A-izmerjena raven zvočne moči	Vážená A hladina akustického výkonu
Mõõtmismääramatus	Neodređenost mjerenja	Negotovost meritve	Nespoľahľivosť meraní

България	Українська	Türce	
Технически характеристики	Технічні характеристики пристрою	Ürün teknik özellikleri	
Безжичен трион за кастрене	Бездротова пилака для зрізання гілок	Kablosuz Budama Testeresi	
Модел	Модель	Model	RY18PSA
Напрежение	Напруга	Voltaaj	18V d.c.
Тегло	Вага	Ağırlık	
Без батерия	без акумулатора	Batarya hariç	1,1 kg
с най-тежката акумулаторна батерия	3 найважчим акумулатором	en ağır batarya ile	2,3 kg
Скорост на рязане	Швидкість пиляння	Kesim hızı	1600–2600 spm (stroke per minute)
Капацитет на рязане	Ріжуча здатність	Kesme Kapasitesi	
Със захващаща челюст	3 затискачем	Sıkıştırma çenesi ile	65 mm
Без захващаща челюст	Без затискача	Sıkıştırma çenesi olmadan	80 mm
Общи стойности на вибрация, определени според EN 62841-1, EN 62841-2-11:	Загальні значення вібрації, визначені згідно з EN 62841-1, EN 62841-2-11:	EN 62841-1, EN 62841-2-11'e göre belirlenmiş toplam titreşim değerleri:	
Стойност на излъчените вибрации	Рівень вібрації	Titreşim emisyon değeri	$a_{h,B} = 23,1 \text{ m/s}^2$
			$a_{h,WB} = 14,6 \text{ m/s}^2$
Несигурност на измерването	Невизначеність вимірювання	Ölçüm bilinmiyor	$K = 1,5 \text{ m/s}^2$
Стойности на шумови емисии, определени според EN 62841-1, EN 62841-2-11	Значення викидів шуму, визначених згідно з EN 62841-1, EN 62841-2-11:	EN 62841-1, EN 62841-2-11'e göre belirlenmiş ses emisyon değerleri :	
Ниво на шумово налягане с равнище A на мястото на оператора	Рівень звукового тиску за шкалою A для оператора пристрою	Kullanıcı pozisyonundaki A ağırlıklı ses basıncı seviyesi	$L_{PA} = 79,2 \text{ dB(A)}$
Ниво на силата на шума с равнище A	A-зважений рівень звукової потужності	A ağırlıklı ses gücü seviyesi	$L_{WA} = 90,2 \text{ dB(A)}$
Несигурност на измерването	Невизначеність вимірювання	Ölçüm bilinmiyor	$K = 3,0 \text{ dB}$
			$L_{WA} + K = 93 \text{ dB(A)}$



English	Français	Deutsch	Español	Italiano
Battery and charger	Batterie et chargeur	Akku und Ladegerät	Batería y cargador	Batteria e caricatore
Model	Modèle	Modell	Modelo	Modello
Battery pack	Bloc de batterie	Akku	Batería	Batteria
Charger	Chargeur	Ladegerät	Cargador	Caricatore
Compatible battery packs	Blocs de batterie compatibles	Kompatible Akkus	Paquetes de batería compatibles	Gruppo batterie compatibili
Compatible chargers	Chargeurs compatibles	Kompatible Ladegeräte	Cargador compatible	Caricatore compatibile
Replacement part	Pièces de Rechange	Ersatzteile	Piezas de repuesto	Parti di ricambio
Blade	Lame	Messer	Hoja	Lama

Suomi	Norsk	Русский	Polski	Čeština
Akku ja laturi	Batteri og lader	Аккумуляторная батарея и зарядное устройство	Akumulator i ładowarka	Nabíječka a baterie
Malli	Modell	Модель	Model	Model
Akku	Batteri	Аккумулятор	Akumulator	Baterie
Laturi	Lader	Зарядное устройство	Ładowarka	Nabíječka
Yhteensopivat akut	Kompatible batteripakker	Совместимая аккумуляторная батарея	Pasujące akumulatory	Kompatibilní akumulátory
Yhteensopiva laturi	Kompatibel lader	Совместимое зарядное устройство	Zgodna ładowarka	Kompatibilní nabíječka
Varaosat	Erstatningsdeler	Запасные части	Części zamienne	Náhradní díly
Terä	Blad	Пильное полотно	Ostrze	Nůž

Eesti	Hrvatski	Slovensko	Slovenčina
Aku ja laadija	Baterija i punjač	Baterija in polnilnik	Akumulátor a nabíjačka
Mudel	Model	Model	Modelis
Aku paketiiga	Baterija	Akumulator	Batéria
Laadija	Punjač	Polnillec	Nabíjačka
Ühilduvad akupaketid	Kompatibilna pakiranjaa baterija	Združljive baterije	Kompatibilné jednotky akumulátorov
Ühilduv laadija	Kompatibilni punjači	Združljiv polnillec	Kompatibilná nabíjačka
Asendusosad	Zamjena dijelova	Nadomestni deli	Náhradné diely
Saeleht	Oštrica	Rezilo	Ostrie





Nederlands	Português	Dansk	Svenska	
Accu en oplader	Bateria e carregador	Batteri og oplader	Batteri och batteriladdare	
Model	Modelo	Model	Modell	RY18PSA
Accu	Bateria	Batteri	Batteri	-
Lader	Carregador	Oplader	Batteriladdare	-
Compatibele accupacks	Baterias compatíveis	Kompatible batterier	Kompatibla batteripaket	RB18L13, RB18L15, RB18L20, RB18L25, RB18L40, RB18L20A, RB18L50, RB18L60A, RB18L90A, RB18L15B, RB18L40A
Compatibele oplader	Carregador compatível	Kompatibel oplader	Kompatibel laddare	RC18120, RC18150U, RC18627U, BCL1418IV, RC18115, RC18150, BCL14181H, BCL14183H
Vervangonderdelen	Peças de substituição	Reserve dele	Utbytesdelar	
Mes	Lâmina	Klinge	Blad	RAC260

Magyar	Română	Latviski	Lietuviškai	
Akkumulátor és töltő	Bateria și încărcătorul	Akumulators un lādētājs	Akumulatorius ir įkroviklis	
Típus	Model	Modelis	Modelis	RY18PSA
Akkumulátor	Acumulator	Akumulators	Baterija	-
Töltő	Încărcător	Lādētājs	Įkroviklis	-
Kompatibilis akkumulátorok	Acumulatori compatibili	Savietojami akumulatoru komplekti	Suderinami baterijos paketai	RB18L13, RB18L15, RB18L20, RB18L25, RB18L40, RB18L20A, RB18L50, RB18L60A, RB18L90A, RB18L15B, RB18L40A
Kompatibilis töltő	Încărcător compatibil	Saderīgs lādētājs	Suderinamas įkroviklis	RC18120, RC18150U, RC18627U, BCL1418IV, RC18115, RC18150, BCL14181H, BCL14183H
Cserealkatrészek	Piese de schimb	Rezerves daļas	Atsarginės detalės	
Kés	Lamă	Asmens	Geležtė	RAC260

България	Українська	Turce	
Батерия и зарядно устройство	Акумулятор і зарядний пристрій	Pil ve şarj cihazı	
Model	Модель	Model	RY18PSA
Батерия	Акумуляторна батарея	Batarya takımı	-
Зарядно устройство	Зарядний пристрій	Şarj cihazı	-
Съвместими батерии	Сумісні акумуляторні блоки	Uyumlu pil takımları	RB18L13, RB18L15, RB18L20, RB18L25, RB18L40, RB18L20A, RB18L50, RB18L60A, RB18L90A, RB18L15B, RB18L40A
Съвместимо зарядно устройство	Сумісний зарядний пристрій	Uyumlu şarj cihazı	RC18120, RC18150U, RC18627U, BCL1418IV, RC18115, RC18150, BCL14181H, BCL14183H
Резервни части	Запасні частини	Yedek Parça	
Острие	Лезо	Bıçak	RAC260



EN Vibration level

The declared vibration value has been measured with a standard test method and may be used to compare one tool with another.

The declared vibration value may be used in a preliminary assessment of exposure.

The vibration emission during actual use of power tool can differ from the declared total value depending on the ways in which the tool is used.

Identify safety measures to protect yourself based on an estimation of exposure in the actual conditions of use, taking account of all parts of the operating cycle such as the times when the tool is switched off and when it is running idle in addition to the trigger time.

FR Niveau de vibrations

La valeur déclarée totale des vibrations a été mesurée selon une méthode de test standardisée qui peut être utilisée pour comparer un outil avec un autre.

La valeur déclarée totale des vibrations peut également être utilisée pour évaluer par avance le niveau d'exposition.

La valeur des vibrations réellement produites durant l'utilisation de l'outil électrique peuvent différer de la valeur totale déclarée, en fonction de la manière dont l'outil est utilisé.

Identifiez les mesures de sécurité à prendre pour vous protéger, sur la base d'une estimation de l'exposition réelle, en tenant compte de tous les éléments du cycle d'utilisation tels que le temps d'arrêt de l'outil et le temps de son fonctionnement au ralenti, en plus du temps de fonctionnement normal.

DE Vibrationsgrad

Der angegebene Vibrationswert wurde durch eine Standard-Testmethode ermittelt und kann dazu verwendet werden, ein Werkzeug mit einem anderen zu vergleichen.

Der angegebene Vibrationswert kann für eine Voraburteilung der Exponierung herangezogen werden.

Die Vibrationsemissionen bei der tatsächlichen Benutzung von Elektrowerkzeugen kann sich, abhängig von der Art der Benutzung des Werkzeugs, von dem genannten Wert unterscheiden.

Identifizieren Sie aufgrund einer Einschätzung der Exponierung unter tatsächlichen Einsatzbedingungen Maßnahmen zum eigenen Schutz, unter Berücksichtigung aller Bestandteile des Betriebszyklus, wie die Zeiten zu denen das Werkzeug ausgeschaltet ist, und zu denen es sich zusätzlich zu den Auslösezeitpunkten im Leerlauf befindet.

ES Nivel de vibración

El valor declarado de vibraciones se ha medido con un método de prueba estándar y puede utilizarse para comparar una herramienta con otra.

El valor declarado de vibraciones puede utilizarse en una evaluación preliminar de exposición.

La emisión de las vibraciones durante el uso real de la herramienta eléctrica puede diferir del valor total declarado según el uso que se le dé a la herramienta.

Identifique las medidas de seguridad para protegerse en base a una estimación de la exposición en las condiciones reales de uso, teniendo en cuenta todas las partes del ciclo de funcionamiento, como los tiempos en que la herramienta está apagada y cuando está en ralentí, además del tiempo de activación.

IT Livello di vibrazioni

Il valore delle vibrazioni dichiarato deve essere misurato con un metodo di test standard e può essere utilizzato per paragonare un utensile a un altro.

Il valore dichiarato delle vibrazioni può essere utilizzato nella valutazione preliminare dell'esposizione.

L'emissione delle vibrazioni durante l'utilizzo dell'utensile può essere diversa dal valore totale dichiarato a seconda dei modi in cui l'utensile viene utilizzato.

Individuare misure di sicurezza per proteggersi basate su una stima dell'esposizione nelle attuali condizioni di utilizzo, prendendo in considerazione tutte le parti del ciclo operativo come i tempi in cui l'utensile viene spento o quando funziona al minimo oltre al tempo di attivazione.

NL Trillingsniveau

De aangegeven trillingswaarde werd gemeten met behulp van een standaard testmethode en kan worden gebruikt om gereedschap met elkaar te vergelijken.

De aangegeven trillingswaarde kan worden gebruikt in een voorlopige blootstellingsanalyse.

De trillingsemisatie tijdens het gebruik van het werktuig kan verschillen van de aangegeven totale waarde, afhankelijk van de manier waarop het werktuig wordt gebruikt.

Neem veiligheidsmaatregelen om uzelf te beschermen op basis van een inschatting van de blootstelling in de huidige gebruiksomstandigheden, rekening houdend met alle onderdelen van de bedrijfscyclus, zoals de tijd dat het werktuig wordt uitgeschakeld en het stationair draait, bovenop de bedrijfstijd.

PT Nivel de vibração

O valor de vibração declarado foi medido com um método de teste padrão e pode ser usado para comparar uma ferramenta com outra.

O valor de vibração declarado pode ser utilizado numa avaliação preliminar da exposição.

A emissão das vibrações durante o uso real da ferramenta eléctrica pode diferir do valor total declarado segundo o uso que se der à ferramenta.

Identifique as medidas de segurança para se proteger com base numa estimativa de exposição nas actuais condições de uso, tendo em conta todas as peças do ciclo de funcionamento, como as vezes que a ferramenta é desligada e quando está a trabalhar em ralentí para além do tempo de gatilho.

DA Vibrationsniveau

Den erklærede vibrationsværdi er målt i henhold til en standard-testmetode og kan bruges til at sammenligne forskellige værktøjer indbyrdes.

Den erklærede vibrationsværdi kan bruges som en foreløbig vurdering af eksponeringen.

Vibrationsemissionen ved praktisk brug af elværktøjet kan variere fra den erklærede totalværdi, alt efter hvordan værktøjet anvendes.

Træf passende sikkerhedsforanstaltninger for at beskytte dig selv ud fra den skønnede eksponering for risici under de aktuelle anvendelsesforhold, hvor du - ud over den effektive arbejdstid - også tager højde for de varierende perioder, som fx når værktøjet er slukket, og når det kører i tomgang.



SV Vibrationsnivå

Det angivna vibrationsvärdet har uppmätt med en standardmetod och kan användas för att jämföra med andra kraftverktyg.

Det angivna vibrationsvärdet kan användas i en preliminär analys av vibrationerna som användaren utsätts för.

De vibrationer som uppstår vid användningen av el-verktyget kan skilja sig från det uppgivna totalvärdet beroende på det sätt som verktyget används på.

Vidtag säkerhetsåtgärder för ditt personliga skydd utifrån den exponering som sker under användningen, ta hänsyn till all användning som då verktyget är avstängt och när det går på tomgång förutom den faktiska brukstiden.

FI Tärinätaso

Ilmoitettu tärinäarvo on mitattu tavallisin testimenetelmin, ja sitä voidaan käyttää verrattaessa laitetta toiseen.

Ilmoitettua tärinäarvoa voidaan käyttää arvioitaessa tärinävaikutusta.

Sähkötökalun todellisen käytön aikainen tärinä saattaa poiketa ilmoitetusta kokonaisarvosta, laitteen käyttötavasta riippuen.

Määritä käyttäjän suojakeinot, jotka perustuvat todellisten käyttöolosuhteiden tärinävaikutusarvioon, ottaen huomioon kaikki käyttöjakson osat, kuten ajan, jonka laite on sammuksissa ja käy tyhjäkäynnillä, varsinaisen sahausajan lisäksi.

NO Vibrasjonsnivå

Den oppgitte vibrasjonsverdien er målt med en standard testmetode og kan benyttes for å sammenligne ett verkøy med et annet.

Den oppgitte vibrasjonsverdien kan benyttes for en foreløpig angivelse av eksponering.

Vibrasjonene ved faktisk bruk av et elektrisk verkøy kan skille seg fra oppgitte totalverdier avhengig av måten verktøyet brukes på.

Identifiser sikkeringstiltak som beskytter deg selv, basert på et anslag for eksponering i den faktiske brukssituasjonen der man tar hensyn til alle brukssykluser, som tidspunktet da maskinen ble slått av og når den går på tomgang i tillegg til tiden når verktøyet arbeider.

RU Уровень вибрации

Заявленная величина вибрации измерялась в соответствии со стандартной методикой проведения испытаний и может использоваться для сравнения одного инструмента с другим.

Заявленная величина вибрации может использоваться при предварительной оценке характеристик.

Уровень вибрации при работе электроинструмента может отличаться от заявленной общей величины вибрации в зависимости от условий его использования.

Выберите средства защиты оператора с учетом реальных условий эксплуатации, принимая во внимание все факторы рабочего цикла, такие как время, в течение которого инструмент был выключен, и время его работы в холостом режиме.

PL Poziom drgań

Deklarowany poziom drgań został zmierzony za pomocą standardowej metody pomiaru i jego wyniki mogą służyć do porównywania tego urządzenia z innymi.

Deklarowana wartość drgań może służyć do wstępnej oceny narażenia operatora na wibracje.

Emisja drgań podczas użytkowania elektronarzędzi może różnić się od zadeklarowanej wartości, w zależności od sposobu użytkowania urządzenia.

Określić zasady bezpieczeństwa, oparte na oszacowaniu narażenia operatora w rzeczywistych warunkach użytkowania, uwzględniając wszystkie elementy cyklu operacyjnego, takie jak czasy wyłączenia oraz czasy pracy bez obciążenia, oprócz czasu pracy przy wcisniętym przycisku uruchamiania.

CS Úroveň vibrací

Uznaná hodnota vibrací byla naměřena pomocí standardního testovacího postupu a lze ji použít k porovnání s jiným nástrojem.

Uznaná hodnota vibrací se může používat k předběžnému odhadu vystavování nářadím.

Aktuální hodnoty vibrací během používání nástroje se mohou lišit od výše uvedených a mohou se lišit dle použitého nástroje.

Určete bezpečnostní opatření pro vlastní ochranu, která jsou založena na odhadu vystavení v aktuálních podmínkách používání, popisu všech částí pracovního cyklu jako doby, kdy je nástroj vypnut a když běží naprázdno, kromě doby spuštění.

HU Vibrációs szint

A megadott vibrációs érték szabványos tesztmódszerrel lett meghatározva, és két szerszám összehasonlításakor is használható.

A megadott vibrációs érték a vibrációnak való kitettség előzetes becsüléséhez is felhasználható.

A vibráció-kibocsátás a szerszám gép tényleges használat során elterhet a nyilatkozatban szereplő teljes értéktől; ez függ a gép használatának módjától.

Határozza meg a saját védelmét szolgáló óvintézkedéseket az adott használati körülmények között érvényes kitettség felmérésével, figyelembe véve a használat teljes időtartamát, vagyis beleértve azokat az időszakokat, amikor a gép ki van kapcsolva, vagy bekapcsolt állapotban üresjárásban működik.

RO Nivelul vibrațiilor

Valoarea declarată a vibrațiilor a fost măsurată cu o metodă de testare standard și poate fi utilizată pentru a compara o unealtă cu alta.

Valoare declarată a vibrațiilor poate fi utilizată într-o evaluare preliminară a expunerii.

Emisia de vibrații în timpul folosirii efective a uneltei electrice poate diferi de valoarea totală declarată în funcție de modulele în care este utilizată unealta.

Identificați măsurile de siguranță pentru a vă proteja, pe baza estimării expunerii la condițiile efective de utilizare, luând în considerare toate etapele ciclului de operare, precum momentele în care unealta este oprită și atunci când funcționează în gol, suplimentar momentului declanșării.





LV Vibrācijas līmenis

Nosauktais vibrācijas līmenis ir ticis izmērīts ar standarta pārbaudes metodi un var tikt izmantots, lai salīdzinātu vienu instrumentu ar citu.

Nosauktā vibrācijas vērtība var tikt izmantota sākotnējās iedarbības novērtējumam.

Elektrinstrumenta vibromeisija reālā darba laikā var atšķirties no norādītās kopējās vērtības atkarībā no veidiem, kā instruments tiek lietots.

Nosauktie drošības pasākumus, lai sevi aizsargātu, balstoties uz saskares ilguma novērtējumu atbilstoši lietošanas apstākļiem, ņemot vērā visas lietošanas cikla daļas, tostarp laikus, kad instruments tiek izslēgts un kad tas darbojas tukšgaitā papildus darbināšanas laikam.

LT Vibracijos lygis

Deklaruotās vibrācijas lygis yra išmatuotas standartinio testo metu ir gali būti naudojamas vieno įrankio su kitu palyginimui.

Deklaruotās vibrācijas lygis gali būti naudojamas preliminariam pavojaus įvertinimui.

Elektrinio įrankio naudojimo metu vibracijos lygis gali skirtis nuo deklaruotos bendrosios vertės pagal įrankio naudojimo būdus.

Nustatykite saugumo priemones, kad apsisaugotumėte, kurios pagrįstos pavojaus įvertinimu pačiose naudojimo sąlygose, atkreipiant dėmesį į visas darbo ciklo dalis, pvz. laikotarpį, kai įrankis yra išjungtas ir kai veikia tuščiaja eiga bei perjungimo laiką.

ET Vibratsioonitase

Deklareeritud vibratsiooniväärtus on mõeldud standardse testimiseetodiga ja seda võib kasutada tööriistade omavaheliseks võrdlemiseks.

Deklareeritud vibratsiooniväärtust võib kasutada mürataseme eelhindamiseks.

Olenevalt seadme kasutusviisist võib mehaanilise tööriista töötamisel ilmneva vibratsioonimissioon, mille suurus erineb deklareeritud väärtustest.

Kasutaja kaitsmiseks seadmega töötamisel tuleb kindlaks teha turvameetmed, mis põhinevad tegetlikes kasutustingimustes esinevale vibratsioonile, sealjuures tuleb arvesse võtta kõiki töotsükli osi, lisaks sisselüüritatud olekule näiteks ka vibratsiooni väljalülitamise ajal ja tühi ajal.

HR Razina vibracije

Objavljena vrijednost vibracija je izmjerena standardnom metodom testiranja i može se koristiti za usporedbu jednog alata s drugim.

Objavljena vrijednost vibracija može se koristiti u početnom usklađivanju izloženosti.

Razina vibracija tijekom trenutne uporabe AKU alata može se razlikovati od deklarirane ukupne vrijednosti ovisno o načinima na koje se alat koristi.

Identificirajte sigurnosne mjere za svoju zaštitu na temelju procjene izloženosti u trenutim uvjetima korištenja, uzевши u obzir sve dijelove radnog ciklusa kao što su vrijeme kada je alat isključen i kada je pokrenut u praznom hodu u dodatku vremenu pokretanja.

SL Raven vibracij

Navedena vrednost vibracij je bila izmerjena s standardno metodo testiranja in se lahko uporabi za primerjavo različnih orodij.

Navedena vrednost vibracij se lahko uporabi za predhodne ocene izpostavljenosti.

Emisije med dejansko uporabo električnega orodja se od navedene vrednosti lahko razlikujejo, odvisno od načina, kako se orodje uporablja.

Ugotovite varnostne ukrepe za zaščito upravljalca, ki temeljijo na oceni izpostavljenosti v dejanskih pogojih uporabe, pri tem pa je treba upoštevati vse dele delovnega cikla – npr. ko je orodje izključeno in ko je v prostem teku in čas zagona.

SK Úroveň vibrácií

Deklarovaná hodnota vibrácií bola meraná podľa štandardnej testovacej metódy a možno ju používať na porovnanie jedného nástroja s iným.

Deklarovaná hodnota vibrácií sa dá použiť aj v predbežnom odhade expozície.

Úroveň emisii počas samotného používania elektrického nástroja sa môže líšiť od deklarovanej celkovej hodnoty v závislosti od toho, ktorý nástroj sa používa.

Identifikujte bezpečnostné opatrenia na vašu ochranu ne základe posúdenia skutočných podmienok použitia, pričom vezmite do úvahy všetky časti prevádzkového cyklu, napríklad časov, kedy je nástroj vypnutý a kedy pracuje na voľnobehu okrem času spúšťania.

BG Ниво на вибрация

Посочената стойност за вибрациите е измерена с помощта на стандартен тест и може да се използва за сравнение с друг инструмент.

Посочената стойност за вибрациите може да бъде използвана в предварително оценяване за излагане на вибрации.

Вибрациите по време на действителната употреба на електромеханичния инструмент може да се различават от обявената обща стойност в зависимост от начините, по които се използва инструментът.

Определете мерки за безопасност за собствена защита според преценка за излагането на вибрации в реални условия, като се вземат предвид всички елементи на работния цикъл, като например времето, в което инструментът е изключен и когато работи на празен ход, както и времето за задействане.

UK Рівень вібрації

Оголошене значення вібрації було виміряно за допомогою стандартного методу випробування і може бути використане для порівняння одного інструмента з іншим.

Він може бути використаний для попередньої оцінки впливу.

Емісія вібрації під час фактичного використання електрострументу може відрізнятись від заявленого значення залежно загального використання інструменту.

Визначити заходи безпеки, щоб захистити себе на основі оцінки впливу в реальних умовах використання, з урахуванням всіх частин робочого циклу, коли інструмент вимкнений, і коли він працює в холостому режимі, доповнюючи робоче положення.



TR Titreşim seviyesi

Beyan edilen titreşim değeri standart bir test yöntemi ile ölçülmüştür ve bir aleti diğeriyle karşılaştırmak için kullanılabilir.

Beyan edilen titreşim değeri bir maruz kalma ön değerlendirmesinde kullanılabilir.

Güç destekli aletin fiili kullanımı sırasında meydana gelen titreşim emisyonu aletin kullanıma şekline bağlı olarak beyan edilen toplam değerden farklı olabilir.

Kendinizi korumak için aletin açılıp kapatılma sayısı ve tetik süresinin yanı sıra rölantide çalıştığı zaman gibi çalışma döngüsünde yer alan tüm parçaları dikkate alarak gerçek kullanım koşullarında maruz kalma hesaplamasına dayalı güvenlik önlemlerini belirleyin.

EN RYOBI® WARRANTY APPLICATION CONDITIONS

In addition to any statutory rights resulting from the purchase, this product is covered by a warranty as stated below.

- The warranty period is 24 months for consumers and commences on the date when the product was purchased. This date has to be documented by an invoice or other proof of purchase. The product is designed and dedicated to consumer and private use only. So there is no warranty provided in case of professional or commercial use. This warranty applies only on new products.
- There is a possibility to extend for a part of the range of power tools (AC/DC) the warranty period over the period described above using the registration on the www.ryobitools.eu website. The eligibility of products for extended warranty is clearly displayed in stores and / or on packaging and is contained within the product documentation. The end user is required to register his/her newly-acquired products online within 30 days from the date of purchase. The end user may register for the extended warranty in his/her country of residence if listed on the online registration form where this option is valid. Furthermore, end users must give their consent to the storage of their personal data that is required to be entered online. They must also accept the terms and conditions. The registration confirmation receipt, which is sent out by e-mail, and the original invoice showing the date of purchase will serve as proof of the extended warranty.
- The warranty covers all defects of the product during the warranty period due to faults in workmanship or material at the purchase date. The warranty is limited to repair and/or replacement and does not include any other obligations including but not limited to incidental or consequential damages. The warranty is not valid if the product has been misused, used contrary to the instruction manual, or has been incorrectly connected to a power supply. This warranty does not apply to:
 - any damage to the product that is the result of improper or lack of maintenance
 - any product that has been altered or modified
 - any product where original identification (trade mark, serial number) markings have been defaced, altered or removed
 - any damage caused by non-observance of the instruction manual
 - any product not displaying the CE approval mark on the rating plate
 - any product that has been attempted to be repaired by a non-authorized warranty service centre or without prior authorisation by Techtronic Industries
 - any product connected to improper power supply (amps, voltage, frequency)
 - any product used with inappropriate fuel mixture (fuel, oil, ratio of oil/ fuel mixture)
 - any damage caused by external influences (water, chemical, physical, shocks) or foreign substances
 - normal wear and tear spare parts
 - inappropriate use, overloading of the tool
 - use of non-approved accessories or parts
 - Accessories provided with the tool or purchased separately including but not limited to blades, saw chains, cutting lines, etc.
 - Any periodic adjustments to or maintenance cleaning of carburettors
 - Components (parts and accessories) subject to natural wear and tear, including but not limited to bump knobs, drive belts, clutch, blades of hedge trimmers or lawn mowers, harness, cable throttle, carbon brushes, power cord, tines, felt washers, hitch pins, blower fans, blower and vacuum tubes, vacuum bag and straps, guide bars, saw chains, hoses, connector fittings, spray nozzles, wheels, spray wands, inner reels, outer spools, cutting lines, spark plugs, air filters, gas filters, mulching blades, etc.
- For servicing, the product must be sent or presented to a RYOBI authorised service station listed for each country in the following list of service station addresses. In some countries your local RYOBI dealer undertakes to send the product to the RYOBI service organisation. When sending a product to a RYOBI service station, the product should be safely packed without any dangerous contents such as petrol, marked with sender's address and accompanied by a short description of the fault.
- A repair / replacement under this warranty is free of charge. It does not constitute an extension or a new start of the warranty period. Exchanged parts or products become our property. In some countries delivery charges or postage will have to be paid by the sender. Your statutory rights arising from the purchase of the product remain unaffected.
- This warranty is valid in the European Community, Switzerland, Iceland, Norway, Liechtenstein, Turkey and Russia. Outside these areas, please contact your authorised RYOBI dealer to determine if another warranty applies.

AUTHORISED SERVICE CENTRE

To find an authorised service centre near you, visit <http://uk.ryobitools.eu/header/service-and-support/service-agents>.

FR RYOBI® CONDITIONS D'APPLICATION DE LA GARANTIE

En plus des droits statutaires liés à l'achat, ce produit est couvert par une garantie telle que décrite ci-dessous.

- La durée de la garantie accordée au consommateur est de 24 mois à partir de la date d'achat. Cette date doit être authentifiée par une facture ou tout autre preuve d'achat. Le produit a été conçu en vue d'une utilisation strictement privée. Aucune garantie ne s'applique donc en cas d'utilisation professionnelle ou commerciale.
- Il existe pour une partie de la gamme « jardin » (AC/DC), une possibilité d'étendre la période de garantie au-delà de la période précédemment décrite en utilisant le formulaire d'enregistrement présent sur le site Internet www.ryobitools.eu. L'éligibilité d'un outil est clairement affichée dans les points de vente et/ou sur l'emballage et la documentation. L'utilisateur final doit enregistrer son/ses outil(s) nouvellement acheté(s) en ligne dans les 30 jours qui suivent la date d'achat. L'utilisateur a la possibilité de s'enregistrer pour l'extension de garantie dans son pays de résidence si celui-ci est listé dans le formulaire d'enregistrement en ligne où cette option est validée. L'utilisateur final doit donner son consentement pour l'enregistrement des données requises pour accéder au site et doit accepter les termes et conditions. La confirmation d'enregistrement, envoyée par courrier électronique, ainsi que la facture originale mentionnant la date d'achat serviront de preuve de l'extension de garantie.
- La garantie couvre pendant la période de garantie les défauts des produits liés à la fabrication et aux matériaux à la date d'achat. La garantie est limitée à la réparation et/ou au remplacement et n'inclut aucune autre obligation, tel que, mais sans s'y limiter, les dommages accessoires ou indirects. La garantie est non valable en cas de mauvaise utilisation du produit, d'utilisation contraire aux instructions du mode d'emploi, ou en cas de branchement incorrect. Cette garantie ne s'applique pas pour :
 - tout dommage au produit résultant d'un mauvais entretien
 - tout produit ayant été altéré ou modifié
 - tout produit dont les marquages originaux d'identification (marque, numéro de série) ont été dégradés, altérés ou retirés
 - tout dommage causé par le non-respect des instructions du mode d'emploi
 - tout produit non CE
 - tout produit ayant subi une tentative de réparation par du personnel non qualifié ou sans autorisation préalable de Techtronic Industries
 - tout produit raccordé à une alimentation secteur non conforme (ampérage, voltage, fréquence)
 - tout produit utilisé avec un mélange inapproprié (essence, huile, pourcentage d'huile)
 - tout dommage causé par des influences extérieures (chimiques, physiques, chocs) ou par des substances étrangères
 - l'usure normale des pièces consommables
 - une utilisation inappropriée, une surcharge de l'outil
 - l'utilisation de pièces ou accessoires non agréés
 - Tout réglage périodique ou tout nettoyage de maintenance des carburateurs
 - les composants (pièces et accessoires) sujets à une usure naturelle, incluant de façon non exhaustive les têtes de fil à frapper, les courroies de transmission, les embrayages, les lames des taille-haies ou des tondeuses à gazon, les harnais, les câbles d'accélérateur, les charbons, les cordons d'alimentation, les fraises de cultivateurs, les rondelles feutre, les goupilles de fraise, les turbines et lame de broyage des souffleurs, les tubes de soufflage et d'aspiration des souffleurs, les sacs de souffleurs et leurs lanières, les guides-chaîne, les chaînes de tronçonneuses, les tuyaux et raccords, les buses et lances de nettoyeurs haute pression, les roues, les recharges de fil des têtes de coupe, les têtes de coupe, le fil de coupe, les bougies d'allumage, les filtres à air, les filtres à essence, etc.
- Si le produit doit être réparé, envoyez-le à un service après-vente agréé RYOBI dont vous trouverez ci-dessous la liste pour chaque pays. Dans certains pays, votre revendeur RYOBI se chargera d'envoyer le produit à un centre de réparation RYOBI. Lorsque vous envoyez un produit à un service après-vente RYOBI, celui-ci doit être correctement emballé, sans contenir aucun produit dangereux tel que de l'essence, et vous devez indiquer votre adresse ainsi qu'une courte description du problème.
- Une réparation / un remplacement sous garantie est gratuit(e). Ceci ne constituera pas une extension de garantie ni un nouveau départ de la période de garantie. Les pièces ou les outils remplacés deviennent notre propriété. Dans certains pays, les frais de port devront être assumés par l'expéditeur. Vos droits statutaires restent inchangés.
- Cette garantie est valable au sein de l'Europe, de la Suisse, de l'Islande, de la Norvège, du Liechtenstein, de la Turquie, de la Russie. En dehors de ces zones, veuillez contacter votre distributeur agréé RYOBI pour déterminer si une autre garantie s'applique.

SERVICE APRÈS-VENTE AGRÉÉ

Pour trouver le service après-vente agréé le plus proche, rendez-vous sur <http://fr.ryobitools.eu/header/service-and-support/service-agents>

DE RYOBI® GARANTIEBEDINGUNGEN

Zusätzlich zu den gesetzlichen Rechten aus dem Kauf gilt für dieses Produkt die nachstehend aufgeführte Garantie.

- Der Garantiezeitraum beträgt für Verbraucher 24 Monate und beginnt mit dem Datum des Kaufs. Dieses Datum muss durch eine Rechnung oder einen anderen Kaufbeleg dokumentiert werden. Dieses Produkt wurde ausschließlich zur privaten Nutzung durch Verbraucher entwickelt. Für den Fall einer professionellen bzw. kommerziellen Nutzung besteht daher keine Garantie.
- Es besteht die Möglichkeit, für einen Teil des Sortiments der Gartenwerkzeuge (AC/DC) den Garantiezeitraum über den oben genannten Zeitraum hinaus zu verlängern, indem der Verbraucher die Registrierung auf der Website www.ryobitools.eu durchführt. Die Berechtigung der Werkzeuge für die Garantieverlängerung ist deutlich im Geschäft und/oder auf der Verpackung beschrieben und in der Produktdokumentation erwähnt. Der Verbraucher muss das neu erworbene Gerät online innerhalb von 30 Tagen ab dem Kaufdatum registrieren. Der Verbraucher kann das Gerät zwecks Garantieverlängerung in seinem Wohnsitzland/Heimatland registrieren, wenn dieses Land auf dem Online-Registrierungsformular aufgeführt und die Option gültig ist. Darüber hinaus muss der Verbraucher seine Zustimmung zur Speicherung der Daten geben, die online eingegeben werden müssen, und er muss die allgemeinen Geschäftsbedingungen akzeptieren. Die Bestätigung der Registrierung, die per E-Mail versandt wird, und die Originalrechnung mit dem Kaufdatum gelten als Beleg für die Garantieverlängerung.
- Die Garantie deckt alle Defekte des Geräts während des Garantiezeitraums ab, die auf zum Zeitpunkt des Kaufs bestehende Verarbeitungs- oder Materialfehler zurückzuführen sind. Die Garantie beschränkt sich auf Reparatur und/oder Ersatz und beinhaltet keine anderen Verpflichtungen, insbesondere keinen Schadenersatz für Folge- oder Nebenschäden. Die Garantie gilt nicht, wenn das Gerät fehlerhaft eingesetzt wurde, gegensätzlich zur Bedienungsanleitung eingesetzt wurde oder falsch angeschlossen wurde. Die Garantie gilt nicht für Folgendes:
 - Schäden am Gerät, die auf unkorrekte Wartung zurückzuführen sind
 - Geräte, an denen Veränderungen vorgenommen wurden
 - Produkte, bei denen die ursprüngliche Identifizierung (Handelsmarke, Seriennummer) unleserlich gemacht, verändert oder entfernt wurde
 - Schäden durch Nichtbeachtung der Bedienungsanleitung
 - nicht-CE-zertifizierte Geräte
 - Geräte, an denen durch nicht-qualifizierte Personen oder ohne vorherige Genehmigung von Techtronic Industries Reparaturversuche vorgenommen wurden
 - Geräte, die an unkorrekte Energiequellen (Ampere, Volt, Frequenz) angeschlossen wurden
 - Geräte, die mit einer fehlerhaften Treibstoffmischung (Treibstoff, Öl, Ölanteil) betrieben wurden
 - Schäden durch äußere Einflüsse (chemisch, physisch, Stöße) oder Fremdstoffe
 - normaler Verschleiß von Ersatzteilen
 - unangemessene Nutzung, Überlastung des Geräts
 - Nutzung nicht genehmigter Zubehörteile oder Ersatzteile
 - Regelmäßige Einstellung oder Wartungsreinigung des Vergasers
 - Komponenten (Ersatzteile und Zubehörteile), die natürlicherem Verschleiß unterliegen, einschließlich, aber nicht begrenzt auf Service- und Wartungssets, Kohlebürsten, Lager, Spannvorrichtungen, SDS-Bohreraufnahme / Bit-Adapter, Netzkabel, Zusatzhandgriff, Transportkoffer, Schleifplatten, Staubbeutel, Staubabführungen, Filzunterlegscheiben, Bolzen und Federn von Schlagschraubern, einschließlich, aber nicht beschränkt auf Fadenköpfe, Antriebsriemen, Kupplungen, die Klingen von Heckenscharen oder Rasenmähern, Kabelstränge, Gaszüge, Zinken, Steckbolzen, Lüfter, Saug- und Gebläserohre oder Düsen, Fangsäcke und Gurte, Führungsschienen, Sägeketten, Schläuche, Verbinder, Sprühdüsen, Räder, Sprühstäbe, innere Rollen, äußere Spulen, Schneidfäden, Zündkerzen, Luftfilter, Benzin-/ Ölfilter, Hackseil-Messer usw.
- Zum Service muss das Gerät zu einer von RYOBI autorisierten Servicestation gebracht oder dorthin gesendet werden. Die Servicestationen für die einzelnen Länder sind in der folgenden Liste aufgeführt. In einigen Ländern sendet Ihr RYOBI-Händler vor Ort das Gerät an das RYOBI-Serviceunternehmen. Beim Einsenden an die RYOBI-Servicestation sollte das Gerät sicher verpackt sein, ohne gefährliche Inhalte wie Benzin, und es sollte mit der Adresse des Absenders und einer kurzen Beschreibung des Fehlers versehen sein.
- Eine Reparatur bzw. ein Ersatz gemäß dieser Garantie ist kostenlos. Hieraus ergibt sich weder eine Garantieverlängerung noch der Beginn eines neuen Garantiezeitraums. Die ausgetauschten Ersatzteile oder Werkzeuge gehen in unser Eigentum über. In einigen Ländern müssen die Zustellgebühren oder die Versandkosten vom Absender gezahlt werden. Ihre gesetzlichen Rechte aus dem Kauf des Geräts bleiben hiervon unberührt.
- Diese Garantie gilt in der Europäischen Union, der Schweiz, Island, Norwegen, Liechtenstein, der Türkei und Russland. Bitte wenden Sie sich außerhalb dieser Gebiete an Ihren autorisierten RYOBI-Händler, um festzustellen, ob eine andere Garantie gilt.

AUTORISIERTER KUNDENDIENST

Besuchen Sie <http://de.ryobitools.eu/header/service-and-support/service-agents>, um einen autorisierten Kundendienst in Ihrer Nähe zu finden.

ES CONDICIONES DE APLICACIÓN DE LA GARANTÍA DE RYOBI®

Además de cualquier derecho legal derivado de la compra, este producto está cubierto por una garantía que se indica a continuación.

- El periodo de garantía es de 24 meses para consumidores y comienza en la fecha en que se comprara el producto. Dicha fecha debe documentarse con una factura u otro comprobante de compra. El producto está diseñado y concebido únicamente para el uso privado del consumidor. Por lo tanto, no se ofrece garantía en caso de uso profesional o comercial.
- Existe la posibilidad de ampliar el periodo de garantía respectivo a una parte de la gama de herramientas de jardinería (CA/CC) durante el periodo descrito más arriba y mediante el registro en el sitio web www.ryobitools.eu. La elegibilidad de las herramientas para que se amplie el periodo de garantía se muestra claramente en las tiendas o en el embalaje y está incluida en la documentación del producto. El usuario final tiene que registrar en línea sus herramientas recientemente adquiridas en un plazo de 30 días a partir de la fecha de compra. El usuario final podrá registrarse para obtener la garantía ampliada en su país de residencia si este aparece en la lista del formulario de registro en línea cuando esta opción sea válida. Además, los usuarios finales deberán dar su consentimiento al almacenamiento de los datos necesarios para el acceso en línea y tienen que aceptar los términos y condiciones. El recibo de confirmación de registro, que se envía por correo electrónico, y la factura original que muestra la fecha de compra servirán como comprobante para la garantía ampliada.
- La garantía cubre todos los defectos del producto durante el periodo de garantía debido a fallos de mano de obra o material en la fecha de compra. La garantía se limita a la reparación o sustitución y no incluye ninguna otra obligación como, por ejemplo, daños accidentales o consecuentes. La garantía no es válida si se ha usado mal el producto, se ha usado contraviniendo el manual de instrucciones o se ha conectado de forma incorrecta. Esta garantía no es aplicable a:
 - ningún daño en el producto que sea consecuencia de un mantenimiento inadecuado
 - ningún producto que haya sido alterado o modificado
 - ningún producto en el que los marcados de identificación originales (marca comercial, número de serie) se hayan borrado, modificado o eliminado
 - ningún daño provocado por no seguir el manual de instrucciones
 - ningún producto que no sea CE
 - ningún producto que haya sufrido un intento de reparación por parte de un profesional no cualificado o sin la autorización previa de Techtronic Industries.
 - ningún producto conectado a un suministro eléctrico inadecuado (amperios, voltaje, frecuencia)
 - ningún producto usado con una mezcla de combustible inadecuada (combustible, aceite, porcentaje de aceite)
 - ningún daño causado por influencias externas (químicas, físicas, impactos) o sustancias extrañas
 - desgaste normal de piezas de repuesto
 - uso inadecuado, sobrecarga de la herramienta
 - uso de accesorios o piezas no aprobados
 - Cualquier ajuste periódico o limpieza de mantenimiento de los carburadores
 - Componentes (piezas y accesorios) sujetos al desgaste natural incluyendo, entre otros, pomos de golpes, correas de transmisión, embragues, cuchillas de cortasetos o cortacésped, arneses, cable del acelerador, escobillas de carbono, cables eléctricos, discos, placas de filtro, pasadores de enganche, ventiladores de soplador, tubos de aspiración y de soplado, bolsas y correas de aspiración, barras guías, cadenas de sierra, mangueras, herrajes de conectores, boquillas pulverizadoras, ruedas, lanzas pulverizadoras, bobinas interiores, carretes exteriores, líneas de corte, bujías, filtros de aire, filtros de gas, cuchillas de compostaje, etc.
- Para su mantenimiento, el producto debe enviarse o presentarse a una estación de servicio de RYOBI autorizada que figure en la siguiente lista de direcciones de estaciones de servicio por países. En algunos países, su distribuidor RYOBI local se responsabiliza de enviar el producto a la compañía de servicio de RYOBI. Cuando se envíe un producto a una estación de servicio de RYOBI, este debe estar empaquetado de forma segura sin contenidos peligrosos como gasolina, marcado con la dirección del remitente y acompañado de una breve descripción del fallo.
- Una reparación / sustitución con esta garantía es gratuita. No constituye una ampliación ni un nuevo comienzo del periodo de garantía. Las piezas o herramientas intercambiadas pasan a ser de nuestra propiedad. En algunos países, los gastos de envío o correo tendrá que pagarlos el remitente. Sus derechos legales derivados de esta compra de la herramienta no se verán afectados.
- Esta garantía es válida en la Unión Europea, Suiza, Islandia, Noruega, Liechtenstein, Turquía y Rusia. Fuera de estas zonas, póngase en contacto con su distribuidor de RYOBI autorizado para determinar si es aplicable otra garantía.

SERVICIO TÉCNICO AUTORIZADO

Para encontrar el servicio técnico autorizado más cercano, visite <http://es.ryobitools.eu/header/service-and-support/service-agents>.



IT CONDIZIONI DI VALIDITÀ DELLA GARANZIA RYOBI®

In aggiunta ai diritti di legge risultanti dall'acquisto, il prodotto è coperto dalla garanzia sotto descritta.

- Il periodo di garanzia è di 24 mesi per i consumatori, a decorrere dalla data di acquisto del prodotto. La data deve essere documentata da una fattura o altra prova d'acquisto. Il prodotto è progettato e destinato solo all'utilizzo privato dei consumatori. Pertanto non viene fornita alcuna garanzia in caso di uso professionale o commerciale.
- Per una serie di utensili da giardino (CA/CC) è possibile prolungare il periodo di garanzia oltre quello descritto, registrandosi sul sito web www.ryobitools.eu. Gli utensili per i quali è possibile prolungare il periodo di garanzia sono chiaramente indicati nei negozi e/o sulle confezioni e nella documentazione dei prodotti. L'utente deve registrare online l'utensile acquistato entro 30 giorni dalla data di acquisto. L'utente può registrarsi per la garanzia prolungata nel proprio paese di residenza, se questo è elencato nel modulo di registrazione online dove questa opzione sia valida. Inoltre gli utenti devono fornire il proprio consenso alla conservazione dei dati da immettere online e devono accettare le condizioni generali. La conferma di registrazione, inviata tramite e-mail, e la fattura originale indicante la data di acquisto, costituiscono la prova della garanzia prolungata.
- La garanzia copre tutti i difetti del prodotto durante il periodo di garanzia, risultati da manodopera o materiali alla data di acquisto. La garanzia è limitata alla riparazione e/o sostituzione e non include alcun altro obbligo quali, a mero titolo esemplificativo, i danni incidentali o consequenziali. La garanzia non è valida se il prodotto è stato usato scorrettamente, in modo contrario al manuale di istruzioni o se è stato collegato in modo errato. La garanzia non è valida per:
 - qualsiasi danno al prodotto dovuto a manutenzione errata;
 - qualsiasi prodotto che sia stato alterato o modificato;
 - qualsiasi prodotto le cui marcature di identificazione originali (marchi di fabbrica, numero di serie) siano state cancellate, alterate o rimosse;
 - qualsiasi danno causato dalla non osservanza delle istruzioni del manuale;
 - qualsiasi prodotto privo di omologazione CE;
 - qualsiasi prodotto che sia stato sottoposto a un tentativo di riparazione da parte di un professionista non qualificato oppure senza la previa autorizzazione di Techtronic Industries;
 - qualsiasi prodotto collegato a un'alimentazione errata (per ampere, tensione, frequenza);
 - qualsiasi prodotto usato con una miscela di carburante errata (carburante, olio, percentuale di olio);
 - qualsiasi danno causato da influenze esterne (chimiche, fisiche, urti) o sostanze estranee;
 - la normale usura delle parti di ricambio;
 - uso inappropriato, sovraccarico dell'utensile;
 - uso di accessori o parti non omologate;
 - qualsiasi regolazione periodica o pulizia di manutenzione dei carburatori;
 - componenti (parti e accessori) soggetti alla normale usura compresi, a mero titolo esemplificativo, testine a filo, cinghie di trasmissione, frizioni, lame di tagliaspine o tagliaerba, imbragature, cavi di accelerazione, spazzole al carbonio, cavi di alimentazione, denti, rondelle di feltro, perni di aggancio, ventole dei soffiatori, tubi di soffiatori e aspiratori, sacchetti e cinghie per aspirapolvere, barre guida, catene per seghe, tubi, raccordi di connessione, ugelli di spruzzo, ruote, erogatori, bobine interne ed esterne, linee di taglio, candele, filtri dell'aria, filtri del gas, lame per mulching ecc.
- Per la manutenzione il prodotto dev'essere spedito o portato presso uno dei centri assistenza autorizzati RYOBI elencati per ogni paese nel seguente elenco di indirizzi dei centri. In alcuni paesi il rivenditore locale RYOBI si incarica di inviare il prodotto all'organizzazione di assistenza RYOBI. Quando si invia un prodotto a un centro assistenza RYOBI, imballarlo in modo sicuro senza contenuti pericolosi come la benzina, apporre l'indirizzo del mittente e accompagnarlo da una breve descrizione del guasto.
- La riparazione/sostituzione ai sensi della presente garanzia è gratuita. Non costituisce un prolungamento o un nuovo inizio del periodo di garanzia. Le parti o gli utensili scambiati diventano di nostra proprietà. In alcuni paesi i costi di consegna o di spedizione postale devono essere pagati dal mittente. I diritti di legge derivanti dall'acquisto dell'utensile rimangono inalterati.
- La presente garanzia è valida in Unione Europea, Svizzera, Islanda, Norvegia, Liechtenstein, Turchia e Russia. Al di fuori di tali aree contattare il rivenditore autorizzato RYOBI per sapere se è valida un'altra garanzia.

CENTRO SERVIZI AUTORIZZATO

Per individuare il più vicino centro servizi autorizzato, visitare il sito <http://it.ryobitools.eu/header/service-and-support/service-agents>.

NL RYOBI® GARANTIEVOORWAARDEN

Naast de wettelijke rechten die voortvloeien uit de aankoop, wordt dit product gedekt door een garantie, zoals hieronder staat vermeld.

- De garantietermijn voor consumenten bedraagt 24 maanden en gaat in op de datum waarop het product is gekocht. Deze datum moet worden gedocumenteerd met een factuur of een ander aankoopbewijs. Het product is uitsluitend ontworpen en bedoeld voor persoonlijk gebruik door consumenten. Er wordt dus geen garantie gegeven voor professioneel of commercieel gebruik.
- Voor een deel van ons aanbod van tuingeredschappen (AC/DC) is het mogelijk om de garantietermijn te verlengen over de boven beschreven termijn, met behulp van de website www.ryobitools.eu. De gereedschappen die in aanmerking komen voor de verlenging van de garantietermijn wordt duidelijk weergegeven in winkels en/of verpakkingen en staat beschreven in de productdocumentatie. De eindgebruiker moet zijn/haar nieuw gekochte gereedschappen binnen 30 dagen na aankoop online registreren. De eindgebruiker kan zich registreren voor de verlengde garantietermijn als zijn woonland staat vermeld op het online registratieformulier waar deze optie geldig is. Bovendien moeten eindgebruikers toestemming geven voor de opslag van de gegevens die online ingevuld moeten worden en moeten ze de algemene voorwaarden accepteren. Het ontvangstbewijs van de registratie, dat per e-mail wordt verzonden en de oorspronkelijke factuur met de aankoopdatum vormt het bewijs van de verlengde garantietermijn.
- De garantie dekt tijdens de garantietermijn alle gebreken van het product vanwege defecten in vakmanschap of materiaal op de aankoopdatum. De garantie is beperkt tot reparatie en/of vervanging en bevat geen andere verplichtingen, waaronder maar niet beperkt tot incidentele of gevolgschade. De garantie is niet geldig als het product is misbruikt, in strijd met de gebruiksaanwijzing wordt gebruikt of onjuist is aangesloten. Deze garantie geldt niet voor:
 - alle schade aan het product die het gevolg is van onjuist onderhoud
 - elk product dat is veranderd of aangepast
 - elk product waar de oorspronkelijke identificatie (handelsmerk, serienummer) is beschadigd, gewijzigd of verwijderd
 - alle schade die is veroorzaakt door het niet opvolgen van de gebruiksaanwijzing
 - elk niet-CE-product
 - elk product waar een poging tot reparatie is gedaan door een niet-erkende professional of zonder voorafgaande toestemming door Techtronic Industries.
 - elk product dat is verbonden met een verkeerde voeding (amperage, spanning, frequentie)
 - elk product dat wordt gebruikt met een verkeerd brandstofmengsel (brandstof, olie, oliegehalte)
 - alle schade die is veroorzaakt door externe invloeden (chemisch, fysisch, schokken) of vreemde stoffen
 - normale slijtage van reserveonderdelen
 - ongepast gebruik, overbelasting van het gereedschap
 - gebruik van niet-goedgekeurde accessoires of onderdelen
 - Alle periodieke aanpassingen aan of het onderhoud en reiniging van carburateurs
 - Componenten (onderdelen en accessoires) die onderhevig zijn aan natuurlijke slijtage, waaronder maar niet beperkt tot stookknoppen, aandrijfmotoren, koppelingen, messen van hegtrimmers of grasmaaiers, harnas, gaskabel, koolstofborstels, stroomsoeren, tanden, viltringen, koppelingsspannen, blazers, blaas- en zuigbuizen, zuigzakken en-riemen, geleidingsstaven, zaagkettingen, slangen, koppelingen, mondstukken, wielen, spuitsokken, binnenhaspels, buitenhaspels, snijdraden, bogies, luchtfilters, gasfilters, maaimessen, etc.
- Voor onderhoud moet het product worden verzonden of gebracht naar een erkend servicestation van RYOBI die voor elk land staan vermeld in de volgende lijst met adressen voor servicestations. In sommige landen zal uw lokale RYOBI-dealer het product verzenden naar de RYOBI-serviceorganisatie. Wanneer u het product naar een servicestation van RYOBI verzendt, moet het product veilig worden verpakt zonder enige gevaarlijke inhoud, zoals benzine, met het adres van de afzender en vergezeld van een korte beschrijving van het defect.
- Een reparatie/vervangings die onder deze garantie valt is gratis. Het vormt geen verlenging of een nieuwe start van de garantietermijn. Verwisselde onderdelen of gereedschappen worden ons eigendom. In sommige landen moeten de verzendkosten door de afzender worden betaald. Uw wettelijke rechten die voortvloeien uit de aankoop van het gereedschap blijven onaangetast.
- Deze garantie is geldig in de Europese Gemeenschap, Zwitserland, IJsland, Noorwegen, Liechtenstein, Turkije en Rusland. Buiten deze gebieden moet u contact opnemen met uw erkende RYOBI-dealer om vast te stellen of er een andere garantie van toepassing is.

GEAUTORISEERD ONDERHOUDSCENTRUM

Om een geautoriseerd onderhoudscentrum in uw buurt te vinden, surf u naar <http://nl.ryobitools.eu/header/service-and-support/service-agents>.



PT CONDIÇÕES DE APLICAÇÃO DA GARANTIA RYOBI®

Para além de quaisquer direitos previstos por lei resultantes da compra, este produto está coberto por uma garantia conforme descrição abaixo.

1. O período da garantia é de 24 meses para consumidores particulares e inicia-se na data de compra do produto. Esta data tem de ser documentada por uma factura ou por outra prova de compra. O produto foi concebido para e destina-se apenas a consumidores particulares e uso privado. Assim, não é dada garantia em caso de utilização por profissionais ou uso comercial.
2. Para uma parte da gama de ferramentas de jardim (AC/DC) existe a possibilidade de prolongamento do período da garantia para além do período descrito acima, mediante registo no Web site www.ryobitools.eu. A elegibilidade das ferramentas para prolongamento do período da garantia é claramente visível nas lojas e/ou nas embalagens e está contida na documentação do produto. O utilizador final tem de fazer o registo online das suas ferramentas recém-adquiridas no prazo de 30 dias após a data de compra. O utilizador final pode fazer o registo para prolongamento da garantia no seu país de residência, desde que esteja listado no formulário de registo online e para os casos em que esta opção seja válida. Para além disso, os utilizadores finais têm de autorizar o armazenamento dos dados cujo preenchimento lhes for solicitado online e têm de aceitar os termos e as condições. O recibo de confirmação do registo é enviado por e-mail e, em conjunto com a factura original ostentando a data de compra, servirá de prova do prolongamento da garantia.
3. A garantia cobre todos os defeitos do produto durante o período da garantia devidos a defeitos de fabrico ou de material à data da compra. A garantia está limitada à reparação e/ou substituição e não inclui quaisquer outras obrigações, incluindo mas não se limitando a, perdas complementares ou indirectas. A garantia não é válida se o produto tiver sido utilizado incorrectamente, utilizado de forma contrária ao Manual de Instruções ou se as respectivas ligações tiverem sido feitas incorrectamente. Esta garantia não se aplica ao seguinte:
 - quaisquer danos ao produto que sejam resultado de manutenção incorrecta
 - qualquer produto que tenha sido alterado ou modificado
 - qualquer produto cujas marcações de identificação de origem (marca comercial, número de série) tiverem sido apagadas, alteradas ou retiradas
 - quaisquer danos causados pelo incumprimento do Manual de Instruções
 - qualquer produto que não seja da Comunidade Europeia
 - qualquer produto ao qual tenha sido feita, ou tentada fazer, uma reparação por outra pessoa que não um profissional habilitado ou sem autorização prévia da Technronic Industries.
 - qualquer produto ligado a uma fonte de alimentação eléctrica incorrecta (Amperes, Voltagem e Frequência)
 - qualquer produto utilizado com uma mistura de combustível incorrecta (combustível, óleo, percentagem de óleo)
 - qualquer dano causado por influências externas (químicas, físicas, impactos) ou substâncias estranhas
 - desgaste e degradação normal de sobresselentes
 - utilização incorrecta, sobrecarga da ferramenta
 - utilização de acessórios ou peças não aprovados
 - quaisquer ajustes periódicos a, ou limpeza de manutenção de, carburadores
 - Componentes (peças e acessórios) sujeitos a desgaste e degradação natural, incluindo mas não se limitando a, manganetas anti-choque, correias de transmissão, embraiagens, lâminas de recortadores de sebes ou corta-relvas, arneses, cabos de acelerador, escovas de carvão, cabos eléctricos, dentes, anilhas de feltro, pinos de engate, ventoinhas do soprador, tubos do soprador e do aspirador, cintas e sacos do aspirador, barras de guia, correntes de serra, mangueiras, peças de ligação, bocais de pulverização, rodas, varinhas de pulverização, bobinas interiores, bobinas exteriores, linhas de corte, velas de ignição, filtros do ar, filtros de gasolina, lâminas trituradoras, etc.
4. Para assistência, o produto tem de ser enviado para, ou apresentado em, um posto de assistência autorizado RYOBI, conforme listado para cada país na lista de moradas de postos de assistência seguinte. Nalguns países, o seu concessionário RYOBI local encarega-se de enviar o produto para a organização de assistência RYOBI. Quando enviar um produto para um posto de assistência RYOBI, o produto deve ser embalado de forma segura, sem conter nenhuns conteúdos perigosos (por exemplo, gasolina), marcado com o endereço do remetente e acompanhado por uma breve descrição da avaria.
5. Uma reparação/substituição ao abrigo desta garantia é gratuita. Não constitui um prolongamento a, nem um novo início de, o período da garantia. As peças ou ferramentas substituídas tornam-se propriedade nossa. Nalguns países, o remetente terá de pagar os custos de entrega ou a remessa postal. Os seus direitos previstos por lei resultantes da compra da ferramenta mantêm-se inalterados
6. Esta garantia é válida na Comunidade Europeia, Suíça, Islândia, Noruega, Liechtenstein, Turquia e Rússia. Fora destas áreas, entre em contacto com o seu concessionário autorizado RYOBI para determinar se existe outra garantia aplicável.

CENTRO DE ASSISTÊNCIA AUTORIZADO

Para encontrar um centro de assistência autorizado próximo de si, visite <http://pt.ryobitools.eu/header/service-and-support/service-agents>.

DA RYOBI® BETINGELSER FOR GARANTI

Udover lovbestemte rettigheder, som resulterer af købet, er dette produkt dækket af en garanti, som anføres herunder.

1. Garantiperioden er 24 måneder for forbrugere og begynder på den dato, som produktet blev købt. Denne dato skal dokumenteres af en faktura eller andet bevis for køb. Produktet er udelukkende designet og dedikeret til forbrugere og privat brug. Så der ydes ingen garanti til tilfældige af professionelle eller kommerciel brug.
2. Der er en mulighed for at forlænge garantiperioden for en del af udvalget af haveværktøj (AC/DC), hen over den ovenfor beskrevne periode vha. registrering på hjemmesiden www.ryobitools.eu. Berettigelsen af værktøjet til forlængelse af garantiperioden er tydeligt vist i butikker og/eller på emballage/og indeholdt i produktokumentationen. Slutbruger skal registrere hans/hendes nyligt indkøbte værktøj online indenfor 30 dage efter købsdatoen. Slutbruger kan registrere sig for den forlængede garanti i sit land, hvis han/hun er opført på den online registreringsformular, hvor denne mulighed er gyldig. Derudover skal slutbrugere give deres samtykke til at opbevare data, som er påkrævet til indtaste online, og de er nødt til at acceptere vilkår og betingelser. Registreringsbekræftelseskvitteringen, som sendes ud på e-mail, og den originale faktura, som viser købsdatoen, vil fungere som bevis for den forlængede garanti.
3. Garantien dækker alle defekter, som et produkt måtte have i løbet af garantiperioden, og som skyldes produktionsfejl eller materialefejl på købsdatoen. Garantien er begrænset til reparation og/eller udskiftning og inkluderer ikke andre forpligtelser, inklusiv men ikke begrænset til tilfældige skader eller følgeskader. Garantien er ugyldig, hvis produktet er blevet misbrugt, brugt uden at overholde vejledningen, eller det er blevet forkert tilslett. Denne garanti gælder ikke:
 - Beskadigelse af produktet, som er et resultat af uegnet vedligeholdelse
 - Et produkt der er blevet ændret eller modificeret
 - Et produkt hvor de originale identifikationsmærkninger (varemærke, serienummer) er blevet ødelagt, ændret eller fjernet.
 - Enhver beskadigelse forårsaget af manglende overholdelse af vejledningen
 - Ethvert ikke CE-produkt
 - Ethvert produkt som er blevet forårsaget repareret af en ukvalificeret professionel eller uden tidligere foranstaltning af Technronic Industries.
 - Ethvert produkt som er tilslettet uegnet strømforsyning (ampere, spænding, frekvens)
 - Ethvert produkt som bruges med uegnet brændstoftilblanding (brændstof, olie, procentdel olie)
 - Enhver skade forårsaget af ekstern påvirkning (kemisk, fysisk, chok) eller fremmedelementer
 - Normal slid på reservedele
 - Uegnet brug, overbelastning af værktøjet
 - Brug af ikke-godkendt tilbehør eller dele
 - Alle regelmæssige justeringer eller vedligeholdelsesrengøring af karburatorer
 - Komponenter (dele og tilbehør) som er udsat for naturlig slid og ælde, inklusiv men ikke begrænset til drejeknapper, drivrem, greb, klinger til hækkeklimmere eller plæneklippere, sele, kabel gasspjæld, kulbørster, elledning, tænder, filtskiver, ophængstapper, blæserventilatorer, blæser- og sugeslanger, sugepose og stropper, styrestænger, savkæder, slanger, forbindelsespakninger, sprøjtedyser, hjul, sprøjtestave, indvendige ruller, udvendige ruller, udvendige spoler, skærelinjer, tændrør, luftfilter, gasfilter, tildækningsblade etc.
4. For eftersyn skal produktet sendes til eller præsenteres for en RYOBI- autoriseret service værksted, som er oplyst for hvert land i den følgende liste over service værksted adresser. I nogle lande påtager din lokale RYOBI-forhandler sig ansvaret for at sende produktet til RYOBI-serviceorganisationen. Når et produkt sendes til en RYOBI-service værksted, skal det pakkes sikkert ind uden noget farligt indhold som benzin, mærkes med afsenderens adresse og med en kort beskrivelse af fejlen.
5. En reparation/erstatning under denne garanti er gratis. Den udgør ikke en forlængelse eller en ny start på garantiperioden. Uvedlejede dele eller værktøjer bliver vores ejendom. I nogle lande skal leveringsafgifter eller porto betales af afsenderen. Dine lovbestemte rettigheder i forbindelse med købet forbliver uanfægtede
6. Denne garanti gælder i EU, Schweiz, Island, Norge, Liechtenstein, Tyrkiet og Rusland. Udenfor disse områder bedes du kontakte din autoriserede RYOBI-forhandler for at afgøre, om en anden garanti gælder.

AUTORISEREDE SERVICEVÆRKSTEDER

Find nærmeste autoriserede serviceværksted på <http://dk.ryobitools.eu/header/service-and-support/service-agents>.

SV RYOBI® ANVÄNDNINGSVILLKOR FÖR GARANTI

Förutom eventuella lagstadgade rättigheter som uppstår genom köpet, täcks den här produkten av en garanti som anges nedan.

- Garantiperioden är 24 månader för konsumenter och börjar gälla från det datum då produkten köptes. Detta datum måste dokumenteras på en faktura eller annat köpbevis. Produkten är utformad och avsedd för konsumenter och privat bruk. Därmed tillhandahålls ingen garanti vid yrkesmässigt eller kommersiellt bruk.
- Det finns möjlighet att förlänga garantiperioden för en del av utbudet för trädgårdsverktyg (AC/DC) under den period som anges ovan genom att använda registreringen på webbplatsen www.ryobitools.eu. De verktyg som är berättigade till en förlängning av garantiperioden visas tydligt i butiker och/eller på förpackningen och anges i produktdokumentationen. Slutanvändaren behöver registrera hans/hennes nyförvävade verktyg online inom 30 dagar från köpdatumet. Slutanvändaren kan registrera sig för den förlängda garantin i det land där han/hon bor om landet finns angivet i registreringsformuläret online och där detta alternativ är giltigt. Dessutom måste slutanvändaren ge sitt medgivande till lagring av data vilket krävs vid registrering online samt acceptera villkoren. Bekräftelsekvittot för registreringen som skickas ut via e-post och originalfakturan som visar köpdatumet kommer att gälla som bevis för den förlängda garantin.
- Garanti täcker alla produktdefekter under garantiperioden som beror på brister i utförande eller material vid köpdatumet. Garantin är begränsad gällande reparation och/eller utbyte och inkluderar inte några skyldigheter inklusive men inte begränsat till oförutsedda skador eller följdskador. Garantin är inte giltig om produkten har missbrukats, använts i strid med bruksanvisningen eller inte anslutits på rätt sätt. Denna garanti täcker inte:
 - eventuella skador på produkten som uppstått till följd av felaktigt underhåll
 - produkter som har ändrats eller modifierats
 - produkter där ursprungliga identifieringsmärkningarna (varumärke, serienummer) har målats över, ändrats eller tagits bort
 - eventuella skador som uppstått till följd av att bruksanvisningen inte efterföljts
 - alla icke CE-produkter
 - eventuella produkter som har försökts repareras av en icke-kvalificerad yrkesman eller utan föregående medgivande från Techtronic Industries.
 - eventuella produkter som anslutits till felaktig strömförsörjning (ampere, volt, frekvens)
 - eventuella produkter som använts med olämplig bränsleblandning (bränsle, olja, oljeprocent)
 - eventuella skador som uppstått till följd av yttre påverkan (kemisk, fysisk, stötar) eller främmande ämnen
 - normalt slitage av reservdelar
 - olämplig användning, överbelastning av verktyget
 - användningen av icke-godkända tillbehör eller delar
 - Eventuella periodiska justeringar av eller vid underhållsrengöring av förgasare
 - Komponenter (delar och tillbehör) är föremål för naturligt slitage, inklusive men inte begränsat till tryckknappar, drivremmar, koppling, blad till kantrimrar eller gräsklippare, sele, gasreglagevajer, kolborstar, strömsladd, spetsar, filtbrickor, kopplingsprint, blåsfäkt, blås- och sugrör, sugpåse och remmar, styrskenor, sägkedjor, slangar, anslutningsdonördel, spraymunstycken, hjul, spraystavar, innerrullar, ytterspolar, skärtråd, tändstift, luftfilter, gasfilter, sönderdelningsblad osv.
- Vid service måste produkten skickas eller uppvisas för en RYOBI- auktoriserad servicestation som står angiven för varje land i följande adresslista över servicestationer. I vissa länder tar din lokala RYOBI- återförsäljare på sig ansvaret att skicka produkten till RYOBI- serviceorganisationen. När en produkt skickas till en RYOBI-servicestation, ska produkten paketeras säkert utan något farligt innehåll såsom bensin, markeras med avståndens adress samt en kort beskrivning av felet.
- En reparation/ett utbyte under denna garanti är kostnadsfri. Det utgör inte en förlängning eller förnyelse av garantiperioden. Utbyta delar eller verktyg blir vår egendom. I vissa länder måste leveranskostnader eller porto betalas av avståndens. Dina lagstadgade rättigheter som härrör från köpet av verktyget förblir opåverkade
- Denna garanti är giltig i Europeiska gemenskapen: Schweiz, Island, Norge, Liechtenstein, Turkiet och Ryssland. Utanför dessa länder, kontakta din auktoriserade RYOBI-återförsäljare för att avgöra om en annan garanti gäller.

AUKTORISERAT SERVICECENTER

Du hittar närmaste auktoriserade servicecenter genom att gå till <http://se.ryobitools.eu/header/service-and-support/service-agents>.

FI RYOBI®-TAKUUN SOVELTAMISEHDOT

Tällä tuotteella on oston luomien lakisäasteiden oikeuksien ohella alla mainitun mukainen takuu.

- Takuun kesto on kuluttajille 24 kuukautta ja takuuaika alkaa tuotteen ostopohjasta. Tämän päivämäärän tulee lukea laskussa tai muussa ostoposititeissa. Tuote on suunniteltu ja tarkoitettu vain kuluttajien ja yksityiseen käyttöön. Takuu ei siis kata ammatti- eikä kaupallista käyttöä.
- Joidenkin puutarhatyökalujen (AC/DC) takuun kesto on mahdollista laajentaa yllä mainittua kesto pidemmäksi verkkosivuston www.ryobitools.eu rekisteröinnin kautta. Työkalujen kelpoisuus takujakson laajennukseen näkyy selkeästi myymälöissä ja/tai pakkauskissa ja/tai tämä tieto sisältyy tuotetiedokumentaatioon. Loppukäyttäjän täytyy rekisteröidä vasta hankittu työkalu internetissä 30 päivän kuluessa ostopäivämäärästä. Loppukäyttäjän voi rekisteröidä laajennetun takuun kotimaassaan, jos se on luettuna online-rekisteröintilomakkeessa, jossa mainitaan, missä tämä vaihtoehto on voimassa. Loppukäyttäjien täytyy lisäksi hyväksyä tietojen tallennus, jotka heidän täytyy antaa online-tilassa sekä ehdot. Rekisteröinnin vahvistuskuitti, joka lähetetään sähköpostitse, ja alkuperäinen ostopäivämäärän ilmaiseva lasku toimivat laajennetun takuun tositteina.
- Takuu kattaa kaikki tuotteen takuuaikana tulevat viat, joiden aiheuttajina ovat tuotteen ostopäivänä olleet valmistus- tai materiaali viat. Takuu on rajoitettu korjaukseen ja/tai vaihtoon eikä se sisällä mitään muita velvoitteita mukaan lukien satunnaisia ja seurannaisvahinkoja, mutta rajoittumatta niihin. Takuu ei päde, jos tuotetta on käytetty väärin, käyttöohjeen vastaisesti tai jos se on liitetty virheellisesti. Tämä takuu ei kata:
 - virheellisesti huolosta johtuvia vaurioita
 - muunnettua tai muutettua tuotetta
 - tuotetta, jonka alkuperäiset tunnistemerkinnät (tavaramerkki, sarjanumero) on turmeltu, muutettu tai poistettu
 - tämän käyttöoppaan laiminlyönnistä johtuvia vaurioita
 - ei-CE-tuotetta
 - tuotetta, jota on yrittänyt korjata epäpätevä ammattilainen tai joka on rajoittu ilman Techtronic Industrien ennakkolupaa.
 - tuotetta, joka on liitetty virheelliseen teholahteeseen (ampeirit, jännite, taajuus)
 - tuotetta, jossa on käytetty väärää polttoaineseosta (polttoaine, öljy, öljyprosentti)
 - ulkoisten vaikutusten (kemiallinen, fyysinen, iskut) tai vieraiden aineiden aiheuttamaa vauriota
 - normaaleja kuluvia varaosia
 - virheellistä käyttöä, työkalun ylikuormitusta
 - ei-hyväksytytjen tarvikkeiden tai osien käyttöä
 - Kaasutinten säännöllistä säätöä tai ylläpitävää puhdistusta
 - Luonnollisesti kuluvia komponentteja (osia tai tarvikkeita), joihin sisältyvät puskunupit, käyttöohjain, kytkin, pensasleikkuriin tai ruohonleikkuriin terät, valjaat, kaasuvaijeri, hiiharijat, virtajohto, piikit, huopatiivisteet, sokkatapit, puhallinten tuuletimet, puhallin- ja imuputket, imuriin säkit ja hinnat, terälevyt, sahankeijut, letkut, liitososat, suihkusuihuttimet, pyörät, ruiskutusputket, sisä- ja ulkokelat, leikkuusuijimat, hehkutulpat, ilmansuodattimet, kaasusuodattimet, silppuperät yms. näihin kuitenkin rajoittumatta.
- Tuote on lähetettävä huollettavaksi valituttuun RYOBI-huoltoon tai näytettävä silleä. Niiden osissaett kussakin maassa löytyvät seuraavasta luettelosta. Joissakin maissa paikallinen RYOBI-jälleenmyyjä huolehtii tuotteen lähetyksestä RYOBI-huolto-organisaatioon. Kun tuote lähetetään RYOBI-huoltoon, se täytyy pakata hyvin ilman vaarallisia aineita, kuten polttoainetta, ja pakkaukseen täytyy merkitä lähettäjän nimi sekä vian lyhyt kuvaus.
- Takuun kattama korjaus/vaihto on maksuton. Se ei tarkoita takuuaajan laajennusta tai alkamista alusta. Vaihdetut osat tai työkalut siirtyvät valmistajan omistukseen. Joissakin maissa lähettäjän täytyy maksaa lähetyskustannukset tai postikulut. Työkalun oston luomat lakisäasteiset oikeudet pysyvät koskemattomina
- Tämä takuu on voimassa Euroopan yhteisössä, Sveitsissä, Islannissa, Norjassa, Liechtensteinissa, Turkissa ja Venäjällä. Ota näiden alueiden ulkopuolella yhteyttä omaan valituttuun RYOBI-jälleenmyyjään ja selvitä, onko jotain muuta takuuta.

VALTUUTETTU HUOLTO

Voit etsiä lähimmän valituttuun huoltoon sivulta <http://fi.ryobitools.eu/header/service-and-support/service-agents>.

NO RYOBI® GARANTIBETINGELSER

I tillegg til eventuelle lovbestemte rettigheter som følger av kjøpet, er dette produktet dekket av en garanti som angitt nedenfor.

- Garantiperioden er 24 måneder for konsumenter og gjelder fra den datoen som produktet ble kjøpt. Denne datoen skal dokumenteres med en faktura eller annet kjøpsbevis. Produktet er designet og beregnet kun til konsument- og privat bruk. Så det gis ingen garanti ved profesjonell eller kommersiell bruk.
- For en del av utvalget av hageverktøy (AC/DC) er det mulighet til å utvide garantiperioden i den perioden som er beskrevet ovenfor ved bruk av registreringene på nettstedene www.ryobitools.eu. Kvalifiseringen av verktøyene for en utvidelse av garantiperioden er tydelig vist i butikker og 7eller på pakningen / og finnes innen produktdokumentasjonen. Sluttbrukeren må registrere sine nylig anskaffede verktøy online innen 30 dager etter kjøpsdato. Sluttbrukeren kan registrere seg for den utvidede garantien i sitt land hvis det er opplistet på online registreringsskjemaet der dette alternativet er gyldig. Videre må sluttbrukere gi sitt samtykke til oppbevaring av dataene som kreves for å gå online, og de må godta vilkår og betingelser. Registreringsbekreftelsen, som sendes ut på e-post, og den originale fakturaen som viser kjøpsdato, vil tjene som bevis for den utvidede garantien.
- Garantien dekker alle defekter i produktet under garantiperioden på grunn av defekter i utførelse eller materiale på kjøpsdato. Garantien er begrenset til å reparere og/eller erstatte og inkluderer ikke noen andre forpliktelser, inkludert, men ikke begrenset til, tilfeldige eller følgesmessige skader. Garantien er ikke gyldig hvis produktet har blitt misbrukt, brukt på annen måte enn det som beskrives i bruksanvisningen eller er koblet til på feil måte. Denne garantien gjelder ikke for:
 - enhver skade på produktet som er resultat av utilstrekkelig vedlikehold
 - ethvert produkt som har blitt endret eller modifisert
 - ethvert produkt der de originale identifiseringsmerkene (varemerke, serienummer) har blitt uleselig, er endret eller fjernet
 - enhver skade som forårsakes av ikke-overholdelse av instruksjonshåndboken
 - ethvert ikke-CE-produkt
 - ethvert produkt som har blitt forsøkt reparert eller av en ikke-kvalifisert fagperson eller uten tidligere autorisasjon fra Techntron Industries.
 - ethvert produkt tilkoblet feil strømforsyning (ampere, spenning, frekvens)
 - ethvert produkt som brukes med feil drivstoffblanding (drivstoff, olje, prosentandel olje)
 - enhver skade som er forårsaket av eksterne påvirkninger (kjemiske, fysiske, støt) eller fremmede stoffer
 - normal slitasje og sliteservvedeler
 - feil bruk, overbelastning av verktøyet
 - bruk av ikke-godkjent tilbehør eller deler
 - Eventuelle periodiske justeringer av eller vedlikeholdsrengjøring av forbrennere
 - Komponenter (deler og tilbehør) som er underlagt naturlig slitasje, inkludert, men ikke begrenset til bulkknott, drivreimer, clutch, blader på hektrimmere eller gressklippere, seler, kabelspjeld, karbonbørster, strømledning, kniver, feltpakninger, heispinner, blåsevifter, blåse- og vakuumslangler, vakuumpose og reimer, førerstenger, sagkjeder, strømpere, koblingsmonteringer, spraydyser, hjul, spraystenger, indre spoler, ytre spoler, kuttelinjer, tennplugger, luftfilter, gassfilter, mulchingblader osv.
- For service må produktet sendes eller fremlegges for en RYOBI-autorisert servicestasjon opplistet for hvert land i den følgende listen over servicestasjonsadresser. I noen land sender den lokale RYOBI-forhandleren produktet til RYOBI serviceorganisasjonen. Ved å sende et produkt til en RYOBI servicestasjon skal produktet være sikkert pakket uten noe farlig innhold, slik som bensin, merket med senderens adresse og fulgt av en kort beskrivelse av feilen.
- En reparasjon/erstatning under denne garantien er gratis. Den utgjør ingen forlengelse eller en ny start av garantiperioden. Utvekslede deler eller verktøy blir vår eiendom. I noen land vil leveringskostnader eller franking måtte betales av senderen. Dine lovbestemte rettigheter som oppstår fra kjøp av verktøyet forblir uberørt.
- Denne garantien er gyldig i EU, Sveits, Island, Norge, Liechtenstein, Tyrkia og Russland. Utenfor disse områdene ta kontakt med din autoriserte RYOBI-forhandler om en annen garanti gjelder.

AUTORISERT SERVICESENTER

For å finne et autorisert servicecenter i nærheten, gå til <http://no.ryobitools.eu/header/service-and-support/service-agents>.

RU УСЛОВИЯ ПРИМЕНЕНИЯ ГАРАНТИИ НА ПРОДУКЦИЮ RYOBI®

Помимо законных прав, возникающих при покупке, данное изделие покрывается гарантией в соответствии с приведенными ниже пунктами.

- Гарантийный период для покупателя составляет 24 месяца с даты покупки изделия. Дата покупки должна быть подтверждена полностью заполненным гарантийным талоном и чеком о покупке. Данное изделие предназначено только для частного использования покупателем. Поэтому гарантия не распространяется на использование в профессиональных или коммерческих целях.
- Предусмотрена возможность продления для части изделий линейки садовых инструментов (AC/DC) гарантийного периода с помощью регистрации на сайте www.ryobitools.eu. Право инструмента на продление гарантийного периода четко указано в магазинах и / или на упаковке / и содержится в сопутствующей инструменту документации. Конечный пользователь должен зарегистрировать свой приобретенный инструмент в течение 30 дней с даты покупки. Конечный пользователь может зарегистрировать свой инструмент на продление гарантии в стране своего проживания, если она указана в форме онлайн-регистрации. Кроме того, конечный пользователь должен дать свое согласие на хранение данных, которые необходимо ввести в онлайн-форму и принять правила и условия. Подтверждение регистрации, которое вы получите по электронной почте, заполненный гарантийный талон и оригинальный чек, в котором указана дата покупки, будут служить доказательством продленной гарантии.
- Гарантия покрывает в течение гарантийного периода все дефекты качества или материала изделия на дату покупки. Гарантия ограничена ремонтом и / или заменой и не включает никакие другие обязательства, включая, но не ограничиваясь случайными или косвенными убытками. Гарантия становится недействительной, если изделие использовалось не по назначению, вопреки инструкциям, данным в Руководстве пользователя или было неправильно подключено. Настоящая гарантия не распространяется на:
 - любые повреждения изделия в результате неправильного технического обслуживания или недостаточного ухода за инструментом
 - любые изделия, подвергшиеся изменениям и модификации
 - любые изделия, оригинальные идентификационные отметки которого (торговая марка, серийный номер) были повреждены, изменены или удалены
 - любые повреждения, вызванные несоблюдением инструкций Руководства пользователя
 - любые изделия, не сертифицированные маркировкой "CE" для продажи в Европейском союзе
 - любые изделия, подвергшиеся попыткам ремонта неквалифицированным работником или без предварительного утверждения компании Techntron Industries.
 - любые изделия, подключенные к неправильному источнику питания (сила тока, напряжение, частота)
 - любые изделия, в которых использовались несоответствующие топливные смеси (топливо, масло, процент масла)
 - любые повреждения, вызванные внешними воздействиями (химические, физические, удары) или посторонними веществами
 - естественный износ запасных деталей
 - несоответствующее использование, перегрузка инструмента
 - использование неутвержденных аксессуаров и неоригинальных запасных деталей
 - любые регулярные регулировки, техническое обслуживание или чистка карбюраторов
 - компоненты (детали и аксессуары), подверженные естественному износу, включая, но не ограничиваясь фиксаторы шпильки приводные ремни, ценные муфты, лезвия триммеров и газонокосилок, плечевые ремни, кабельный дроссельный регулятор, угольные щетки, кабели питания, зубья, войлочные шаблы, фиксирующие шпильки, вентиляторы воздуходувки, трубки воздуходувки и пылесоса, мешок для сбора мусора и ремни, пыльные шины, пыльные цепи, шланги, соединительные детали, распылительные насадки, колеса, распылительные переходники, внутренние катушки и шпильки, режущую леску, свечи зажигания, воздушные и топливные фильтры, мульчирующие лезвия и др.
- Для проведения технического обслуживания изделие следует направлять в авторизованные сервисные центры RYOBI, указанные для каждой страны в приведенном ниже списке адресов станций сервисного обслуживания. В некоторых странах местные дилеры RYOBI отправляют изделия в сервисные организации RYOBI. При отправке изделия в сервисный центр RYOBI, изделие должно быть безопасно упаковано и не содержать никаких опасных веществ, таких как бензин, должен быть подписан адрес отправителя и сопровождаться кратким описанием неисправности.
- Ремонт / замена проводится в рамках настоящей гарантии бесплатно. Он не продлевает гарантию и не начинает новый гарантийный период. Заменяемые детали и инструменты становятся нашей собственностью. В некоторых странах отправитель должен оплачивать стоимость отправки. Ваши законные права, возникающие при покупке инструмента, остаются неизменными
- Данная гарантия действительна в Европейском Сообществе, Швейцарии, Исландии, Норвегии, Лихтенштейне, Турции и России. Вне указанных территорий обращайтесь к своему авторизованному дилеру RYOBI, чтобы узнать, применяются ли условия каких-либо других гарантий.

УПОЛНОМОЧЕННЫЙ СЕРВИСНЫЙ ЦЕНТР

Чтобы найти ближайший уполномоченный сервисный центр, обратитесь к веб-сайту <http://ru.ryobitools.eu/header/service-and-support/service-agents>.

PL WARUNKI GWARANCJI RYOBI®

Oprócz praw ustawowych wynikających z zakupu produkt jest objęty gwarancją, której warunki podano poniżej.

- Okres gwarancyjny wynosi 24 miesiące dla konsumentów i rozpoczyna się w dniu zakupu produktu. Datę zakupu należy udokumentować fakturą lub innym dowodem zakupu. Produkt został zaprojektowany i jest przeznaczony do użytku konsumenckiego i prywatnego. W związku z tym gwarancja nie obejmuje zastosowań profesjonalnych i komercyjnych.
- Istnieje możliwość wydłużenia okresu gwarancyjnego dla części asortymentu narzędzi ogrodniczych (AC/DC) poprzez zarejestrowanie produktu na stronie internetowej www.ryobitools.eu. Kwalifikowalność narzędzi do wydłużenia okresu gwarancyjnego jest wyraźnie określona w sklepach i/lub na opakowaniu oraz w dokumentacji produktu. Użytkownik końcowy musi zarejestrować nowo kupione narzędzia online w ciągu 30 dni od daty zakupu. Użytkownik końcowy może zarejestrować się w celu przedłużenia gwarancji w swoim kraju zamieszkania, jeżeli jest on wymieniony w formularzu rejestracji online, gdzie opcja ta obowiązuje. Ponadto użytkownicy końcowi muszą wyrazić zgodę na przechowywanie danych, wprowadzanych na stronie internetowej i zaakceptować regulamin. Dowodem wydłużenia gwarancji jest wysłane pocztą elektroniczną potwierdzenie rejestracji i oryginalny fakturę potwierdzającej datę zakupu.
- Gwarancja obejmuje wszystkie wady produktu ujawnione w okresie gwarancyjnym wynikające usterek wykonania lub materiału obecnego w dniu zakupu. Gwarancja jest ograniczona do naprawy i/lub wymiany i nie obejmuje żadnych innych zobowiązań, w tym między innymi odpowiedzialności za szkody przypadkowe lub wtórne. Gwarancja nie obowiązuje, jeżeli produkt był nieprawidłowo używany, używany niezgodnie z instrukcją lub nie był prawidłowo podłączony. Gwarancja nie obejmuje:
 - uszkodzenia produktu wynikającego z nieprawidłowej konserwacji,
 - produktu, który został zmieniony lub zmodyfikowany,
 - produktu, którego oryginalne oznaczenie (znak towarowy, numer seryjny) zostało zniszczone, zmienione lub usunięte,
 - jakichkolwiek uszkodzeń wynikających z nieprzestrzegania instrukcji,
 - jakiegokolwiek produktu bez certyfikatu CE,
 - jakiegokolwiek produktu, który próbowano naprawiać z pomocą niewykwalifikowanej osoby lub bez uzyskania wcześniejszej zgody firmy Techtronic Industries.
 - jakiegokolwiek produktu podłączonego nie nieprawidłowego źródła zasilania (nieprawidłowe napięcie prądu, napięcie, czystość),
 - jakiegokolwiek produktu, który był używany z nieprawidłową mieszanką paliwową (paliwo, olej, procentowy udział oleju),
 - jakichkolwiek uszkodzeń spowodowanych wpływem czynników zewnętrznych (chemicznych, fizycznych, drgań) lub substancji obcych,
 - normalnego zużycia części zamiennych,
 - nieprawidłowego użycia, przeciążenia narzędzia,
 - stosowania niezatwierdzonych akcesoriów lub części,
 - jakichkolwiek okresowych regulacji lub czyszczenia gaźników w ramach konserwacji
 - elementów (części i akcesoriów) podlegających naturalnemu zużyciu, obejmujących, między innymi, kopułki do zwalniania żyłki, pasy napędowe, sprzęgło, ostrza przycinarek do żywoptłotów lub kosiarzek do trawy, urząz, przepustnicę linkową, szczołki węglowe, przewód zasilania, zęby, podkładki filcowe, kołki podnośnika, wentylatory dmuchawy, rury nadmuchowe i ssawne, worek na śmieci i paski, prowadnice, łańcuchy piły, węże, mocowanie złącz, dysze natryskowe, koła, oprsy natryskowe, szpule wewnętrzne, szpule zewnętrzne, filtry gazu, łożyska do ściskowania itp.
- W celu serwisowania produkt należy wysłać lub okazać w autoryzowanym punkcie serwisowym RYOBI znajdującym się na przedstawionym poniżej wykazie punktów serwisowych w poszczególnych krajach. W niektórych krajach lokalny dystrybutor produktów RYOBI podejmuje się wysyłki produktu do centrum serwisowego RYOBI. W przypadku wysyłki do punktu serwisowego RYOBI produkt — pozbawiony jakichkolwiek niebezpiecznych substancji, na przykład benzyny — należy bezpiecznie zapakować i dołączyć adres nadawcy oraz krótki opis usterek.
- Naprawa/wymiana w ramach opisanej gwarancji jest bezpłatna. Nie stanowi jednak o przedłużeniu lub rozpoczęciu od nowa biegu okresu gwarancyjnego. Wymienne części lub narzędzia stają się naszą własnością. W przypadku niektórych krajów nadawca będzie musiał uregulować koszty dostawy lub opłaty pocztowe. Prawa ustawowe wynikające z zakupu narzędzia pozostają niezmienione.
- Niniejsza gwarancja obowiązuje w Unii Europejskiej, Szwajcarii, Islandii, Norwegii, Liechtensteinie, Turcji i Rosji. Poza tymi obszarami należy skontaktować się z autoryzowanym dostawcą produktów RYOBI i ustalić, czy obowiązuje inna gwarancja.

AUTORYZOWANY PUNKT SERWISOWY

Najbliższy autoryzowany punkt serwisowy można wyszukać w witrynie internetowej <http://pl.ryobitools.eu/header/service-and-support/service-agents>.

CS ZÁRUČNÍ PODMÍNKY RYOBI®

Kromě zákonných práv vyplývajících z koupě výrobku se na tento výrobek vztahuje také níže uvedené záruka.

- Záruční doba pro spotřebitele je 24 měsíců a začíná datem nákupu výrobku. Datum musí být zaznamenáno na faktuře nebo jiném dokladu o koupi. Tento výrobek je navržen a určen pouze pro soukromé účely spotřebitelů. Záruka se tedy nevztahuje na profesionální nebo komerční využití výrobku.
- U některých zahradních nástrojů (AC/DC) je možné záruční dobu prodloužit. K tomu je nutná registrace na stránkách www.ryobitools.eu. Možnost prodloužené záruční doby výrobků je jasně uvedena v prodejních, popř. na obalech nebo v dokumentech o výrobku. Koncový uživatel musí svůj nový nástroj zaregistrovat online do 30 dnů od data nákupu. Koncový uživatel se může k prodloužené záruční době zaregistrovat v zemi trvalého pobytu, pokud je tato uvedena na internetovém registračním formuláři u výrobku, kde je tato možnost dostupná. Koncoví uživatelé musí dále souhlasit s uložením osobních údajů, která musí zadat na internetu, a přijmout obchodní podmínky. E-mail s potvrzením registrace a původní faktura s datem koupě poslouží jako důkaz o prodloužené záruce.
- Záruka se vztahuje na veškeré vady na výrobku v rámci záruční doby způsobené výrobními vadami nebo vadami materiálu v době koupě. Záruka je omezena na opravu, popřípadě výměnu a nezahrnuje žádné další povinnosti, včetně mimo jiné vedlejších či následných odškodnění. Záruka neplatí při použití výrobku k nevhodným účelům, v rozporu s uživatelskou příručkou nebo při nesprávném zapojení. Záruka se nevztahuje na:
 - veškeré škody na výrobku způsobené nesprávnou údržbou
 - veškeré produkty, které byly pozměněny nebo upraveny
 - veškeré produkty, kde byly původní identifikační prvky (obchodní značka, sériové číslo) poničeny, pozměněny nebo odstraněny
 - veškeré škody způsobené nedodržováním pokynů uživatelské příručky
 - veškeré produkty bez CE certifikace
 - veškeré produkty, které se pokusil opravit nekvalifikovaný odborník nebo opravy bez předchozího svolení společnosti Techtronic Industries.
 - veškeré produkty zapojené do nesprávného elektrického zdroje (proud, napětí, frekvence)
 - veškeré produkty používané s nevhodnou palivovou směsí (paliwo, olej, procento oleje)
 - veškeré škody způsobené externími vlivy (chemickými, fyzickými, nárazy) nebo cizími látkami
 - běžné opotřebování dílů
 - nevhodné použití, přetěžování nástroje
 - použití neschválených příslušenství nebo dílů
 - veškerá pravidelná seřízení nebo čištění v rámci údržby karburátorů
 - komponenty (díly a příslušenství) podléhající opotřebení, včetně mimo jiné nárazových koleček, posuvných pásů, spojek, nožů plotových nůžek a sekaček na trávu, popruhu, plynového lanka, karbonových kartáčů, napájecího kabelu, zubů, plstěných podložek, závěsných kolků, větráků fukaru, trubic fukaru a vysavače, vaku a popruhu vysavače, vodících lišt, pilových řetězů, hadic, konektorů, trysek, kol, stříkacích tyčí, vnitřních cívek, vnějších kotoučů, řezných strun, zapalovacích svíček, vzduchových filtrů, plynových filtrů, mulčovačích nožů atd.
- K provedení servisu musí být výrobek zaslán nebo předán do autorizovaného servisního centra společnosti RYOBI, jejichž adresy jsou uvedeny podle zemi v seznamu servisních center. V některých zemích za vás výrobek pošle servisní organizaci RYOBI sám prodejce výrobků této značky. Při zaslání výrobku do servisního centra RYOBI je potřeba výrobek bezpečně zabalit bez nebezpečného obsahu jako benzín, opatřit adresou odesílatele a připojit krátký popis závady.
- Oprava, popř. výměna v rámci této záruky je zdarma. Neznamená to prodloužení nebo začátek nové záruční lhůty. Vyměněné díly nebo nástroje přejdou do našeho vlastnictví. V některých zemích platí poštovné odesílatele. Vaše zákonná práva vyplývající z koupě tohoto nástroje zůstávají nedotčena.
- Tato záruka platí v Evropském Společenství, Švýcarsku, Norsku, Lichtenštejnsku, Turecku, Rusku a na Islandu. Mimo tuto území kontaktujte autorizovaného prodejce značky RYOBI, který zjistí, zda se na výrobek vztahuje jiná záruka.

POVĚŘENÉ SERVISNÍ STŘEDISKO

Pro nalezení nejbližšího pověřeného servisního střediska navštivte <http://cz.ryobitools.eu/header/service-and-support/service-agents>.

HU A RYOBI® GARANCIA ALKALMAZÁSÁNAK FELTÉTELEI

A vásárlásból adódó törvényben rögzített jogok mellett a termékre az alábbi garancia vonatkozik.

1. A fogyasztói garancia tartama 24 hónap, mely a termék vásárlásának napjával kezdődik. Ezt a dátumot számlával vagy a vásárlást igazoló egyéb dokumentummal kell bizonyítani. A termék rendelkezése csak fogyasztói és magáncéllú használat. Ezért professzionális vagy kereskedelmi használat esetén a garancia nem érvényes.
2. A kerti szerszámok (egyenáramú/váltóáramú) egy részénél a garancia időtartama a www.ryobitools.eu weboldalon regisztrálva meghosszabbítható. Az áruházakban, a csomagoláson, illetve a termék dokumentációjában egyértelműen jelezzük, hogy az adott termék garanciája meghosszabbítható-e. A végfelhasználónak a vásárlás dátumától számított 30 napon belül regisztrálnia kell az újonnan vásárolt szerszámot. A végfelhasználó akkor regisztrálhat a kiterjesztett garanciára, ha az ország, ahol lakik, fel van sorolva az online regisztrációs űrlapon azon országok között, ahol választható ez az opció. Ezenkívül a végfelhasználónak bele kell egyeznie az online regisztrálás során szükséges adatok tárolásába, és el kell fogadnia a felhasználási feltételeket. A kiterjesztett garanciát a regisztráció beérkezésétől e-mailben küldött visszaigazolás és a vásárlás dátumát tartalmazó eredeti számla igazolja.
3. A garancia a termék vásárlásakor fennálló, a gyártás során keletkezett hibákra és anyaghibákra érvényes a garanciális időtartamon belül. A garancia csak a javításra/cseréire korlátozódik, és nem terjed ki semmilyen egyéb kötelezettségre, nem kizárólagosan ideértve a véletlen vagy szándékos rongálást. A garancia nem érvényes, ha a terméket nem megfelelően, a használati utasításban foglaltakkal ellentétben, illetve nem megfelelően csatlakoztatva használták. A garancia nem vonatkozik:
 - a terméket a nem megfelelő karbantartás következtében ért károsodásra – megváltoztatott vagy átalakított termékre
 - olyan termékre, melyen az eredeti azonosítókat (védjegy, sorozatszám) megromolták, megváltoztatták vagy eltávolították
 - a használati utasítás be nem tartásából eredő kárra
 - CE jelöléssel nem rendelkező termékekre
 - olyan termékre, melyet nem képzett, illetve a Techtronic Industries által nem feljogosított szerelő javított
 - nem megfelelő (áramerősségű, feszültségű, frekvenciájú) áramforrásra csatlakoztatott termékre
 - nem megfelelő üzemanyag-keverékkel (üzemanyag, olaj, olaj aránya) használt termékre
 - külső (fizikai, utés) hatásokból vagy idegen anyagokból eredő károkra
 - a cserélhető alkatrészek természetes kopására és elhasználódására
 - a szerszám helytelen használatára, túlterhelésére
 - nem jóváhagyott tartozékok és alkatrészek használatára
 - A karburátorok rendszeres beállítása, karbantartása, tisztítása
 - A természetes kopásnak és elhasználódásnak kitett alkatrészek és kiegészítők, például (de nem kizárólag) damildobok, ékszíjak, foglalatok, sövényvágók és fűnyírók kése, heveder, gázbowden, szénkefék, tápkábel, kultivátorfogak, ficalátétek, akasztószögek, fűvókészülékek ventilátora, fűvő- és szívócsövek, szívózsák és pántok, terelőrudak, fűrészláncok, tömlők, csatlakozószervevények, permetezőfejek, kerekék, permetezőszárak, belső dobok, külső csévék, vágódamlok, gyűjtőgyertyák, légszűrők, gázsűrők, mulcsozókések stb.
4. A terméket javításra el kell vinni egy meghatalmazott RYOBI szervizbe; ezeket a egyes országokhoz a következő listában találja. Egyes országokban a helyi RYOBI kereskedő vállalja a termék elszállítását a RYOBI szervizbe. A terméket veszélyes tartalom, például benzinnel együtt csomagolva, a feladó címét feltüntetve, a hiba rövid leírásával együtt küldje el a RYOBI szervizbe.
5. A jelen garancia hatálya alatt végzett javítás, illetve csere ingyenes. Nem jelenti a garanciális időtartam újraindulását. A kicserélt alkatrészek és szerszámok a mi tulajdonunkba kerülnek. Egyes országokban a szállítás vagy postázás költségét a feladó viseli. A vevőnek a szerszám megvásárlásából adódó törvényes jogai nem változnak.
6. Jelen garancia az Európai Közösségekben, Svájcban, Izlandon, Norvégiában, Liechtensteinben, Törökországban és Oroszországban érvényes. E területen kívül kérdezze meg a RYOBI forgalmazót, hogy milyen garancia van érvényben.

HIVATALOS SZERVIZKÖZPONT

A legközelebbi hivatalos szervizközpont megtalálásához látogasson el a <http://hu.ryobitools.eu/header/service-and-support/service-agents>.

RO CONDIȚII DE APLICARE A GARANȚIEI PENTRU PRODUSELE RYOBI®

În plus față de condițiile statutare rezultate din achiziționarea acestui produs, acesta este acoperit de garanția stipulată mai jos.

1. Perioada de garanție este de 24 de luni pentru consumatori și începe de la data achiziționării produsului. Data de începere a garanției trebuie demonstrată cu o factură sau altă dovadă a cumpărării produsului. Produsul este destinat și conceput doar pentru utilizare în scopuri personale. Din acest motiv, nu se oferă garanție pentru utilizarea sa în scop profesional sau comercial.
2. Există posibilitatea de extindere a perioadei de garanție pentru gama de unelte electrice pentru grădina (de CA/CC) peste perioada stipulată mai sus prin înscrierea produsului pe website-ul www.ryobitools.eu. Eligibilitatea pentru perioada de extindere a garanției este afișată în mod clar în magazinele de vânzare și/sau pe ambalaj sau este inclusă în documentația livrată împreună cu produsul. Utilizatorul final este obligat să-și înregistreze produsul online în termen de maxim 30 de zile de la achiziția acestuia. Utilizatorul final poate înregistra produsul pentru garanția extinsă oferită în țara sa de rezidență dacă aceasta este listată în formularul de înregistrare online și dacă această opțiune este validă. În plus, utilizatorii finali trebuie să-și dea acordul pentru stocarea datelor personale solicitate la înregistrarea online și trebuie să accepte termenii și condițiile. Mesajul de confirmare a înregistrării, trimis prin e-mail și factura originală cu data achiziției vor dovedi perioada de garanție extinsă.
3. Garanția acoperă toate defecțiunile produsului survenite în perioada de garanție datorate defectelor de execuție sau materialelor folosite, începând cu data achiziției acestuia. Garanția este limitată la reparare și/sau înlocuire și nu include alte obligații, inclusiv, dar fără a se limita la daune accidentale sau rezultate pe cale de consecință. Garanția își pierde valabilitatea dacă produsul este utilizat necorespunzător, utilizat necorespunzător de instrucțiunile de utilizare din manualul cu instrucțiuni sau conectat incorect. Garanția nu se aplică în cazul:
 - oricărei defecțiuni survenite în urma înnorțării necorespunzătoare a produsului
 - oricărui produs alterat sau modificat
 - oricărui produs la care inscripțiile cu datele de identificare (marca comercială, numărul de serie) au fost șterse, modificate sau îndepărtate
 - oricărei defecțiuni datorate neconformării cu instrucțiunile din manualul de utilizare
 - oricărui produs necertificat CE
 - oricărui produs asupra căruia au fost efectuate tentative de reparare de către personal necalificat sau fără autorizație prealabilă din partea Techtronic Industries.
 - oricărui produs conectat la o sursă de alimentare necorespunzătoare (curent, tensiune, frecvență)
 - oricărui produs utilizat cu un amestec de carburant necorespunzător (combustibil, ulei, proporții de adaos ulei)
 - oricărui defecțiune datorate unor influențe externe (chimice, fizice, șocuri) sau substanțe străine
 - uzurii și fisurării normale a pieselor de rezervă
 - utilizării neadecvate, suprasolicitării uneltei
 - utilizării de piese și accesorii neaprobate
 - Operațiunile de curățare sau reglare periodică a carburatoarelor
- Componentele (piese și accesorii) supuse uzurii și defectării normale, care includ, fără a se limita la manșoane de protecție, curele de transmisie, ambreiaji, lamele de la tăietoarele de arbore sau gazon, harnașamente, cablu de accelerație, perii de cărbune, cordon de alimentare, dinți, discuri de păslă, știfturi de siguranță, ventilatoare de suflantă, tuburi de aspirare sau suflare, sac de colectare resturi și banda de susținere a acestuia, bare de ghidare, lanțuri de fierăstrău, furturniri, accesorii de conectare, duze de pulverizare, volante, baghete de pulverizare, moșoare interne, carcase exterioare pentru moșoare, fire tăietoare, bujii, filtre de aer, filtre de gaz, lame de tocător, etc.
4. Pentru efectuarea reparațiilor, produsul trebuie trimis sau adus la un centru de reparații autorizat RYOBI din lista următoare de centre de reparații prezentate pentru fiecare țară. În anumite țări, reprezentatul local RYOBI va trimite produsul spre reparare la sediul central de reparații RYOBI. Atunci când trimiteți produsul spre reparare la un centru de reparații RYOBI, acesta trebuie ambalat în siguranță, fără conținut periculos (cum ar fi benzină), marcat cu adresa expeditorului și însoțit de o scurtă descriere a defectului.
5. Repararea/înlocuirea în perioada de garanție este gratuită. Aceasta nu este însoțită de o prelungire sau o reinițiere a perioadei de garanție. Piesele sau uneltele schimbate devin proprietatea dvs. În anumite țări, taxele de expediție sau postate vor fi suportate de expeditor. Drepturile dvs. statutare rezultate din achiziția produsului rămân ne schimbate.
6. Această garanție este valabilă în Comunitatea Europeană, Elveția, Islanda, Norvegia, Liechtenstein, Turcia și Rusia. În afara acestor zone, vă rugăm să contactați reprezentantul dvs. local RYOBI pentru a determina dacă se aplică alt tip de garanție.

CENTRU DE SERVICE AUTORIZAT

Pentru a găsi un centru de service autorizat dvs., vizitați <http://uk.ryobitools.eu/header/service-and-support/service-agents>.

LV RYOBI® GARANTIJAS PIEMĒROŠANAS NOSACĪJUMI

Papildus jebkādam likumiskajām tiesībām, kuras rodas, veicot pirkumu, izstrādājums tiek nodrošināts ar tālāk tekstā noteikto garantiju.

1. Garantijas periods patērētājiem ir 24 mēneši, tā atskaitē tiek sākta no datuma, kurā veikta izstrādājuma iegāde. Šim datumam jābūt dokumentētām rēķinā vai citā pirkumu apliecināošā dokumentā. Izstrādājums ir radīts un paredzēts tikai patērētāja privātai lietošanai. Saisītībā ar iepriekšminēto, garantija netiek nodrošināta profesionālās vai komerciālas lietošanas gadījumā.
2. Pastāv iespēja pagarināt daļas no dārza instrumentu klāsta (Maignstrāvas/akumulatoru) garantiju ilgāk par iepriekš minēto periodu, izmantojot reģistrāciju interneta vietnē www.ryobitools.eu. Instrumenti, kas pakļauti garantijas perioda pagarināšanai, tiek skaidri apzīmēti veikalos un/vai uz iepakojuma un izstrādājumu komplektējošajā dokumentācijā. Gala lietotājam nepieciešams reģistrē tā iegādātā jauno instrumentu 30 dienu laikā no pirkuma datuma. Gala lietotājs var reģistrēties pagarinātajai garantijai savā mītnes valstī, ja tā minēta tiešsaistes reģistrācijas veidlapā, kurā šī iespēja ir aktīva. Bez tam, gala lietotājam ir jāsniedz pierādīšana tiešsaistes ievadīšanai nepieciešamo datu glabāšanai un jāpiekrīt noteikumiem un nosacījumiem. Reģistrācijas apstiprinājums, kas tiek nosūtīts, izmantojot e-pastu, un rēķina oriģināls, kurā norādīts iegādes datums, kalpo kā pagarinātās garantijas apstiprinājums.
3. Garantija attiecas uz visiem izstrādājumu defektiem garantijas periodā, kas saistīti ar ražošanas vai materiālu defektiem no pirkuma datuma. Šī garantija tiek ierobežota ar remontu un/vai nomaiņu un neietver jebkādas citas saistības, tajā skaitā, bet ne tikai, cēloņsakarīgos vai saistītos bojājumus. Garantija nav spēkā, ja izstrādājums ir nepareizi lietots, izmantots pretēji norādēm lietošanas rokasgrāmatā vai bijis nepareizi pieslēgts. Šī garantija netiek attiecināta uz:
 - jebkādiem izstrādājuma bojājumiem, kas radušies nepareizas uzstādīšanas rezultātā
 - jebkuru izstrādājumu, kas ticis pārveidots vai mainīts
 - jebkuru izstrādājumu, kura oriģinālais identifikācijas (preču zīme, sērijas numurs) marķējums ir ticis nodzēsts, mainīts vai noņemts
 - jebkādiem bojājumiem, kuri radušies neievērojot norādes lietošanas rokasgrāmatā
 - jebkādam izstrādājumam bez CE sertifikācijas
 - jebkurai izstrādājumam, kura remontu mēģinājis veikt nekvalificēts personāls vai bez Technonic Industries iepriekšējas autorizācijas.
 - jebkurai izstrādājumam, kurš bijis pieslēgts neatbilstošu parametru (strāvas, sprieguma, frekvences) sprieguma avotam
 - jebkurai izstrādājumam, kurš bijis izmantots ar nepareizu degvielas maisījumu (degviela, eļļa, eļļas procentuālais saturs)
 - jebkuriem bojājumiem, kuri radušies ārējas iedarbības (ķīmiskas, fiziskas, triecieni) vai vielu ietekmē
 - detaļu normāla lietošanas nodiluma rezultātā
 - nepareizas lietošanas vai instrumentu pārslodzes rezultātā
 - neapstiprinātu detaļu vai aprīkojuma lietošanas rezultātā
 - jebkādu periodiskus karburatoru regulēšanas darbus vai apkopes tīrīšanu
 - Komponentus (daļas un aksesuārus), kas pakļauti dabīgām nodilumam, ieskaitot, bet neaprobežojoties ar atslētienu pogām, piedziņas sīksnādi, sāļojumi, krūmu šķēru un pļaujmašīnu asmeņiem, uzskabēm, droseļu trošlēm, oglekļa sukām, elektrības vadiem, tapām, filca aplākšņiem, sakābes tapām, pūtēja ventilatoriem, pūtēja un sūkšanas caurulēm, savākšanas maisiem un sīksnādi, vadotņu plankām, zaģu ķēdēm, šļūtenēm, savienojumu uzgaļiem, izsmidzinātāja uzgaļiem, riteņiem, izsmidzinātāja caurulēm, iekšējām spoļēm, ārējām spoļēm, pļaušanas aukām, aizdedzes svečēm, gaisa filtriem, degvielas filtriem, mulčēšanas asmeņiem, utt.
4. Servisa nodrošināšanai, izstrādājums ir jānodod pilnvarotā RYOBI servisa centrā, kas norādīts katrai valstij tālāk minētajā servisa centru adrešu sarakstā. Dažās valstīs jūsu vietējais RYOBI izplatītājs uzņemas izstrādājumu nosūtīšanu uz RYOBI servisa organizāciju. Nosūtīt izstrādājumu uz RYOBI servisa centru, izstrādājuma jābūt droši iepakotam, tas nedrīkst saturēt bīstamas vielas kā degvielu, sūtiņjam jābūt marķētam ar sūtiņtāja adresi un īsu ķīlmes aprakstu.
5. Remonts/nomaiņa šīs garantijas ietvaros ir bezmaksas. Tas nerada garantijas perioda pagarināšanu vai jaunu garantiju. Nominālais daļas vai instrumentu kļūd par mūsu īpašumu. Dažās valstīs piegādes vai pasta izmaksas būs jāapmaksā sūtiņtājam. Jūsu likumiskās tiesības, kas nodibinās, iegādājoties instrumentu, paliek nemainīgas
6. Šī garantija ir spēkā Eiropas Kopienā, Šveicē, Islandē, Norvēģijā, Līhtenšteinā, Turcijā un Krievijā. Ārpus šīm teritorijām, lūdzu, sazinieties ar jūsu pilnvaroto RYOBI izplatītāju, lai noteiktu, vai ir piemērojama cita garantija.

AUTORIZĒTS APKALPOŠANAS CENTRS

Lai atrastu tuvāko autorizēto apkalpošanas centru, apmeklējiet <http://uk.ryobitools.eu/header/service-and-support/service-agents>.

LT „RYOBI®“ GARANTIJOS TAIKĪMO SĀLYGOS

Papildant bet kokias įstatymuose numatytas perkant atsiřandantis teises, šiam įrenginiui taikoma toliau nurodyta garantija.

1. Vartotojams suteikiama 24 mėnesių trukmės garantija nuo įrenginio įsigijimo datos. Ši data turi būti nurodyta sąskaitoje faktūroje ar kitame pirkimą įrodančiame dokumente. Šis įrenginys skirtas tik vartotojų rinkai ir asmeniniam naudojimui. Todėl garantija netaikoma, jei įrenginys naudojamas profesinėms ar komercinėms reikmėms.
2. Įsigijus tam tikrus šio įrenginius (AC/DC), suteikiama galimybė pratęsti garantiją, kad ji galioūt ilgiau, nei nurodyta pirmiau, naudojantis registracija interneto svetainėje www.ryobitools.eu. Ar galima pratęsti įrenginio garantiją laikotarpi, aiškiai nurodoma parduotuėse ir (arba) ant įrenginio pakuoės, ir (arba) įrenginio dokumentuose. Galutinis naudotojas turi užregistruoti savo naujai įsigytą įrenginį per 30 dienų nuo įsigijimo datos. Galutinis naudotojas gali registruotis išplėšinei garantijai savo gyvenamojoje šalyje, jei ji nurodyta internetinėje registracijos formoje, kurioje siūloma tokia galimybė. Be to, galutiniai naudotojai turi sutikti su duomenų, kuriuos reikia įvesti internetu, saugojimu ir svetainės naudojimo sąlygomis. Kaip išplėštinės garantijos įrodymas naudojamas registracijos patvirtinimo kvitas, atsiunčiamas el. paštu, ir originali sąskaita faktūra, kurioje nurodyta įsigijimo data.
3. Ši garantija apima visus garantiniui laikotarpiu aptiktus įrenginio trūkumus, atsiradusius dėl gamybos arba medžiaginių defektų nuo įsigijimo datos. Ši garantija ribojama remontu ir (arba) pakeitimu, ji neapima jokių kitų įsipareigojimų, įskaitant (bet tuo neapsiribojant) šalutinius arba antrinius nuostolius. Garantija anuliuojama, jei įrenginys buvo naudojamas netinkamai, naudojamas ne pagal naudojimo instrukciją arba netinkamai prijungtas. Ši garantija netaikoma:
 - jokiai įrenginiui padarytai žalai, kurią lemė netinkama techninė priežiūra;
 - jokiai įrenginiui, kuris buvo keičiamas ar modifikuojamas;
 - jokiai įrenginiui, kurio originalūs identifikavimo ženklai (prekės ženklas, serijos numeris) buvo sugadinti, pakeisti arba pašalinti;
 - jokiai žalai, kurią lemė naudojimo instrukcijos nesilaikymas;
 - jokiais CE ženklu nepažymėtais įrenginiais;
 - jokiai įrenginiui, kuri bandė remontuoti nekvalifikuoti asmenys arba kuris buvo remtuojamas be „Technonic Industries“ leidimo;
 - jokiai įrenginiui, kuris buvo prijungtas prie netinkamo maitinimo tinklo (netinkamos srovės, įtampos, dažnio);
 - jokiai įrenginiui, kuris buvo naudojamas su netinkamu degalų mišiniu (degalai, alyva, maišymo santykis);
 - jokiai žalai, kurią lemė išorinis poveikis (cheminis, fizinis, smūgiai) arba pašalinės medžiagos;
 - dėvimosiomis dalimis;
 - netinkamam naudojimui, įrenginio perkrovai;
 - nepatvirtintų priedų arba dalių naudojimui;
 - jokiai reguliariam karburatorių reguliavimui arba priežiūros ir valymo darbams
 - Komponentams (dalims ir priedams), kurie natūraliai dėvėsi, įskaitant (bet tuo neapsiribojant) spyruoklinės galvutes, pavarų diržus, sankabą, gyvatvorių genėtuvą ar žoliapjovių geležtes, diržus, trosinį drošelį, anglinius šepetėlius, maitinimo kabelį, virbus, fetro poveržles, prikabinimo kaiščius, pūstuvu ventilatorius, pūstuvu ir siurblio vamzdžius, siurblio maišą ir diržus, kreipiamuosius strypus, pjūkle grandines, žarneles, jungiamąsias detales, purškimo antgalius, ratus, purškimo liestukus, vidines rites, išorines rites, pjovimo vielą, uždegimo žvakės, oro filtrus, dujų filtrus, mulčiavimo geležtes ir pan.
4. Prireikus atlikti priežiūros darbus, įrenginį reikia siųsti arba atvežti RYOBI įgaliotajam priežiūros centrui, nurodytam kiekvienos šalies priežiūros centrų adrešų sąraše. Kai kuriose šalyse vietinis RYOBI atstovas siunčia įrenginį RYOBI priežiūros organizacijai. Siunčiant įrenginį RYOBI priežiūros centrui, reikia saugiai jį supakuoti pašalinant visas pavojingas medžiagas, pvz., benzina, nurodyti ant pakuoės siuntėjo adresą ir pridėti trumpą gedimo aprašymą.
5. Pagal šią garantiją remontas / keitimas atliekami nemokamai. Tokie veiksmai netaikomi garantijos pratęsimu arba naujo garantinio laikotarpio pradžia. Dalys arba įrenginiai, kuriuos pakeitėme, tampa mūsų nuosavybe. Kai kuriose šalyse pristatymo ir pašto išlaidas turi padengti siuntėjas. Įstatymuose numatytos jūsų teisės, atsiřandantis perkant įrenginį, lieka nepakeistos
6. Ši garantija galioja Europos bendrijoje, Šveicarijoje, Islandijoje, Norvegijoje, Lichtenšteine, Turkiijoje ir Rusijoje. Jei gyvenate ne šiose šalyse, kreipkitės į įgaliotąjį RYOBI atstovą ir sužinokite, ar jums taikoma kita garantija.

ĮGALIOTOS TECHNINĖS PRIEŽIŪROS CENTRAS

Jei norite surasti įgaliotą techninės priežiūros centrą netoli Jūsų, apsilankykite interneto svetainėje <http://uk.ryobitools.eu/header/service-and-support/service-agents>.

ET RYOBI® GARANTIINGIMUSED

Lisaks toote ostust tulenevatele seadusjärgsetele õigustele, kehtib tootele ka alltoodud garantiiga.

1. Tarbijatele on garantiiaeg 24 kuud ja algab sellel kuupäeval, mil toode osteti. Selle kuupäeva tõestuseks on vaja arvet või mõnda teist tõendit ostu sooritamise kohta. Toode on mõeldud etarbijatele ainult isiklikeks kasutamiseks. Seega ei kehti garantiid ostu kasutamisel kutsetegevuses või kaubanduslikel eesmärkidel.
2. Teatud osale (vahelduvvoolu/alalisvoolu) aiatööriistadele on võimalik pikendada eespool toodud garantiiaega, kasades toote registreerimist veebilehel www.ryobitools.eu. Teave tööriista võimaliku pikendatud garantiiaja kohta on selgelt esile toodud poodides ja/või pakendil / ning see sisaldub toote dokumentatsioonis. Lõpptarbijaja peab registreerima oma uued tööriistad interneti teel 30 päeva jooksul pärast ostupäeva. Lõppkasutaja võib registreerida pikendatud garantiiaja saamise oma elukohariigis, kui veebis olevas registreerimisvormis on see valik lubatud. Lisaks peavad kasutajad andma oma nõusoleku veebis nõutud sisestatavate andmete säilitamiseks ning nad peavad nõustuma tingimustega. E-posti teel saadetav registreerimise kinnitus ja arve originaal, kus on näha ostu sooritamise kuupäev, on pikendatud garantiiaja tõestuseks.
3. Garantiid katab kõik defektid toote garantiiaja jooksul, kui ostu kuupäeval ilmnevad talitus- või materjalivead. Garantiid piirub toote remondi ja/või väljavahetamisega ning ei sisalda muid kohustusi, muu hulgas ettenägematuid või kaudseid kahjusid. Garantiid ei kehti, kui toodet ei ole kasutatud sihtotstarbelselt või kooskõlas kasutusjuhendiga või see on valesti ühendatud. Garantiid ei kehti järgmistel põhjustel:
 - toode on kahjustatud vale hoolduse tõttu
 - toodet on muudetud
 - toote algupärased identifitseerimismärgised (kaubamärk, seerianumber) on rikutud, muudetud või eemaldatud
 - kahju on tekkinud kasutusjuhendi mittejärgimisest
 - tootel puudub CE-märgis
 - toodet on püüdnud remontida vastavalt kvalifikatsiooni mitte omav isik või ilma firma Techtronic Industries eelneva loata.
 - toode on ühendatud valesse toiteallikasse (voolutugevus, pinge, sagedus)
 - tootega kasutati sobimatut kütusesegu (kütus, õli, õli protsent)
 - välismõjude (keemilised, füüsilised, elektrilöögid) või võõrkehade tekitatud kahju
 - tavapärase kulumine ja katkised varuosad
 - ebaõige kasutamine, tööriista ülekoormamine
 - heakskiitmata tarvikute või osade kasutamine
 - Karburaatorite korralised reguleerimistööd või hooldus- ja puhastustööd
 - Komponentid (osad ja tarvikud), mida iseloomustab kulumine ja vananemine, muu hulgas puutenupud, kiilrihmad, sidur, heklõikurite või muruniidukite lõiketerad, rakmed, gaasitorid, süsinikharjad, toitejuhe, freesiterad, vildist seibid, tihvtid, õhuventilaatorid, puhuri- ja imuritord, kogumiskott ja riimad, juhikud, saeketid, voolikud, liitmikud, pihusti otsakud, rattad, pritsi varred, sisemised poolid, välimised poolid, jõhvid, süteküünlad, õhufiltrid, gaasifiltrid, multšimisterad jne.
4. Hoolduseks peab toote saatma või viima RYOBI tootjate teenindusse, mille aadressi leiata järgnevast teeninduspunkti nimekirjast vastava riigi alt. Mõnedes riikides võtab kohalik RYOBI edasimüüja enda kanda kohustuse saata toode RYOBI teenindusorganisatsiooni. Tootte saatmisel RYOBI teenindusse peab toode olema ohutult pakitud ja ei tohi sisaldada ohtlikke aineid (nt bensiini), kirjas peab olema saatja aadress ja lisatud vea lühikirjeldus.
5. Garantiil alusel tehtavad remonditööd / asendamine on tasuta. See ei pikenda garantiid kehtivusaega ega tähistu vae garantiiaja algust. Väljavahetatud osad või tööriistad kuuluvad meile. Mõnedes riikides maksab kätetoimetamis- ja postikulud saatja. Teile jäävad kehtima tööriista ostust tulenevad seadusjärgsed õigused
6. See garantiid kehtib Euroopa Ühenduse territooriumil, Šveitsis, Islandil, Norras, Liechtensteinis, Türgis ja Venemaal. Väljaspool neid piirkondi võtke ühendust volitatud RYOBI edasimüüjaga, et teha kindlaks kas kehtib mõni teine garantiid.

VOLITATUD HOOLDUSKESKUS

Oma volitatud hoolduskeskuse leiate veebisaidilt <http://uk.ryobitools.eu/header/service-and-support/service-agents>.

HR UVJETI PRIMJENE JAMSTVA TVRTKE RYOBI®

Osim svim zakonskim pravima koja proizlaze iz kupnje, ovaj je proizvod pokriven jamstvom kako je navedeno u nastavku.

1. Jamstveno razdoblje za potrošače traje 24 mjeseca i počinje s datumom na koji je proizvod kupljen. Taj datum mora se dokumentirati računom ili drugim dokazom o kupnji. Proizvod je konstruiran i namijenjen samo za privatnu upotrebu korisnika. Stoga se jamstvo ne daje u slučaju profesionalne ili komercijalne uporabe.
2. Postoji mogućnost da se za dio asortimana vrtnih alata pokretanih izmjeničnom strujom (AC/DC) proizvodi gore navedeno jamstveno razdoblje putem registriranja na mrežnom mjestu www.ryobitools.eu. Uvjeti koje je potrebno zadovoljiti kako bi se produžilo jamstveno razdoblje jasno su istaknuli u prodavaonicama i / ili na pakiranju i u nalaze se unutar dokumentacije proizvoda. Krajnji korisnik mora registrirati svoje novo kupljene alate na mreži u roku od 30 dana od datuma kupnje. Krajnji korisnik može se registrirati za produženo jamstvo u svojoj zemlji boravišta ako se nalazi na popisu u mrežnom obrascu za registraciju gdje je ta opcija važeća. Nadalje, krajnji korisnici moraju dati svoj pristanak na pohranu podataka koji su potrebni za mrežni ulazak i moraju prihvatiti odredbe i uvjete. Potvrda o prijemu registracije, koja se šalje putem e-pošte, kao i originalni račun s vidljivim datumom kupnje poslužat će kao dokaz produženog jamstva.
3. Jamstvo pokriva sve nedostate proizvoda tijekom jamstvenog razdoblja koji su nastali zbog neispravnosti prilikom izrade ili materijala s datumom kupnje. Jamstvo je ograničeno na popravak i/ili zamjenu i ne obuhvaća nikakve druge obveze, uključujući, ali ne ograničavajući se na slučajne ili posljedične štete. Jamstvo ne vrijedi ako je proizvod bio zlorabljivan, korišten u suprotnosti s priručnikom s uputama ili ako je pogrešno spojen. Ovo jamstvo ne primjenjuje se na:
 - svako oštećenje proizvoda koje je rezultat nepravilnog održavanja
 - svaki proizvod koji je izmijenjen ili modificiran
 - svaki proizvod gdje su originalne identifikacijske oznake (zaštitni znak, serijski broj) izbrisane, zamijenjene ili uklonjene
 - svako oštećenje uzrokovano neprikladnim korištenjem priručnika
 - svaki proizvod koji nije CE
 - svaki proizvod koji je pokušao popraviti neovlašten profesionalac ili bez prethodnog odobrenja od strane Techtronic Industries
 - svaki proizvod priključen na nepravilno napajanje energijom (amperi, napon, frekvencija)
 - Svaki proizvod korišten s neodgovarajućom mješavinom (gorivo, ulje, postotak ulja)
 - svako oštećenje uzrokovano vanjskim utjecajima (kemijsko, fiziko, udar) ili stranim stvarima
 - normalno trošenje i habanje rezervnih dijelova
 - nepravilno korištenje, preopterećenje alata
 - korištenje neodobrenog dodatnog pribora ili dijelova
 - rasplinjača nakon 6 mjeseci, podcavijavanje rasplinjača nakon 6 mjeseci
 - komponente (dijelovi i dodatni pribor) koji su predmet prirodnog trošenja i habanja, uključujući no ne ograničavajući se na gumbe za otpuštanje, pogonske remene, spojku, oštrice trimera za grmlje ili kosilicu, kope, sajle gasa, ugljene četke, kabele za napajanje, nožve, podloške, ztike za zglobnu vezu, ventilatore puhalice, cijevi za ispuhavanje i usisavanje, vakuumske vrećice i trake, vodilice, lance pile, crijeva, priključene elemente, mlaznice za raspršivanje, kotače, koplja za raspršivanje, unutarnje kolote, vanjske kaleme, flaksove, svjećice, filtre za zrak, filtre za plin, oštrice za usitnjavanje itd.
4. Za potrebe servisiranja, proizvod se mora poslati ili odnijeti u ovlaštenu servisnu postaju tvrtke RYOBI navedenu na sljedećem popisu s adresama servisnih postaja u svakoj zemlji. U nekim zemljama, vaš lokalni RYOBI zastupnik obvezuje se da će poslati proizvod u servisnu organizaciju tvrtke RYOBI. Kada se proizvod šalje u neku servisnu postaju tvrtke RYOBI, proizvod se mora sigurno pakirati bez jednog od opasnih sadržaja kao što je benzin, na njemu mora pisati adresa pošiljatelja i mora biti popraćen kratkim opisom kvara.
5. Popravak / zamjena pod ovim jamstvom su besplatni. Oni ne predstavljaju produženje ili novi početak jamstvenog razdoblja. Zamijenjeni dijelovi ili alati postaju naše vlasništvo. U nekim državama troškove isporuke ili poštarnu mora platiti pošiljatelj. Vaša zakonska prava koja proizlaze iz kupnje alata ostaju nepromijenjena
6. Ovo jamstvo vrijedi u Europskoj uniji, Švicarskoj, Islandu, Norveškoj, Lichtenštajnu, Turskoj i Rusiji. Izvan tih područja vas molimo da se obratite svojem ovlaštenom zastupniku tvrtke RYOBI kako biste utvrdili primjenjuje li se drugo jamstvo.

OVLÁŠTENI SERVISNI CENTAR

Za pronalazjenje ovlaštenog servisnog centra pored vas posjetite <http://uk.ryobitools.eu/header/service-and-support/service-agents>.

SL POGOJI ZA VELJAVNOST GARANCIJE RYOBI®

Poleg morebitnih zakonsko določenih pravic, ki izvirajo iz nakupa, za ta izdelek velja spodaj navedena garancija.

- Garancijsko obdobje je za potrošnike 24 mesecev in začne teči z dnem nakupa izdelka. Ta datum mora biti dokumentiran z računom ali drugim dokazilom o nakupu. Izdelek je zasnovan in namenjen izključno za potrošniško zasebno uporabo. V primeru strokovne oziroma komercialne uporabe izdelka garancija ne velja.
- Obstaja možnost podaljšanja garancije na del naše ponudbe vrtnih orodij (AC/DC) prek obdobja garancije, opisanega zgoraj, s pomočjo registracije na spletnem mestu www.ryobitools.eu. Ustreznost orodij za podaljšanje garancijskega obdobja je jasno prikazana v trgovinah in/ali na embalaži oziroma je navedena v dokumentaciji izdelka. Končni uporabnik mora registrirati svoje novo orodje na spletu v 30 dneh po datumu nakupa. Končni uporabnik lahko registrira podaljšano garancijo v svoji državi bivanja, če je na obrazcu spletne registracije navedeno, da ta možnost velja za njegovo državo. Poleg tega morajo končni uporabniki podati svoje soglasje za shranjevanje podatkov, ki so potrebni za spletno državo in morajo sprejeti pogoje in določila uporabe spletnega mesta. Potrdilo o registraciji, ki ga pošljemo prek e-pošte, in originalni račun, ki prikazuje datum nakupa, služita kot dokazilo o podaljšani garanciji.
- Garancija krije vse okvare izdelka, do katerih pride v garancijskem obdobju zaradi napak v izdelavi ali materialu, ki so bile prisotne ob datumu nakupa. Garancija je omejena na popravilo in/ali zamenjavo in ne vključuje nobenih drugih obveznosti, med drugim vključno z naključno ali posledično škodo. Garancija ne velja, če je bil izdelek napačno uporabljen, uporabljen v nasprotju z navodili iz priročnika za uporabo ali če ni bil pravilno povezan. Ta garancija ne velja za:
 - škodo na izdelku, ki je posledica neustreznega vzdrževanja
 - spremenjen ali prilagojen izdelek
 - izdelek, katerega originalna identifikacijska oznaka (blagovna znamka, serijska številka) je bil poškodovan, spremenjena ali odstranjena
 - škodo, ki je posledica neupoštevanja navodil iz priročnika za uporabo
 - izdelek, ki nima oznake CE
 - izdelek, ki ga je poskušal opraviti ne kvalificiran strokovnjak ali ki je bil popravljen brez predhodne odobritve s strani družbe Techtronic Industries.
 - izdelek, ki je bil povezan na neustrezno napajanje (amperska moč, napetost, frekvenca)
 - izdelek, ki je bil uporabljen z neustrezno mešanico goriva (gorivo, olje, odstotek olja)
 - škodo, ki jo povzročijo zunanji vplivi (kemični, fizični, mehanski) ali tuje snovi
 - rezervne dele, ki so podvrženi običajni uporabi
 - neprimerno uporabo, preobremenitev orodja
 - uporabo neodobrenih dodatkov ali delov
 - Vsako redno prilagajanje ali vzdrževalno čiščenje uplinjačev
 - Komponente (sestavni in rezervni deli), ki so podvrženi običajni obrabi, med drugim vključno z gumbi obdajča, pogonskimi jermeni, sklopko, rezili obrezovalnikov za žive meje ali kosilnic za trato, nosilnimi pasovi, kabli, dušilnimi ventili, oglikovimi krtačami, napajalnimi kabli, zobci, tesnili iz filca, veznimi zatiči, ventilatorji pihalnika, cevni pihalnika in sesalnika, vrečko in pasovi sesalnika, vodilnimi palicami, verigami motorne žage, cevami, priključki, razpršilnimi šobami, kolesi, razpršilnimi palicami, notranjimi kolesci, zunanji motki, rezalnimi vrvicami, vžigalnimi svečkami, zračnimi filtri, plinskimi filtri, rezili za mulčenje itd.
- Za servisiranje morate izdelek poslati ali prinesiti v pooblaščen servisni center družbe RYOBI, ki je naveden za vsako državo in naslednjem seznamu naslovov servisnih centrov. V nekaterih državah se vaš lokalni posrednik družbe RYOBI obveže, da bo poslal izdelek na servis družbe RYOBI. Ko pošiljate izdelek v servisni center družbe RYOBI, mora biti izdelek varno zapakiran in ne sme vsebovati nobenih nevarnih snovi, kot je npr. bencin, opremljen pa mora biti z naslovom pošiljatelja in vsebovati kratak opis napake.
- Popravilo/zamenjava v skladu s to garancijo sta brezplačni storitvi. To pa ne predstavlja podaljšanja ali ponovnega začetka garancijskega obdobja. Zamenjani deli ali orodja postanejo naša last. V nekaterih državah stroške dostave ali poštno plača pošiljatelj. Vaše zakonsko določene pravice, ki izvirajo iz nakupa orodja, ostajajo nespremenjene.
- Ta garancija velja v Evropski skupnosti, Švici, Islandiji, na Norveškem, v Lihtenštajnu, v Turčiji in Rusiji. Izven teh območij se obrnite na svojega pooblaščenega posrednika izdelkov RYOBI, dealer ki vam bo povedal, ali velja kakšna druga garancija.

POOBLAŠČEN SERVISNI CENTER

Pooblaščen servisni center blizu vas poiščite na <http://uk.ryobitools.eu/header/service-and-support/service-agents>.

SK ZÁRUČNÉ PODMIENKY RYOBI®

Na tento výrobok sa okrem všetkých zákonných práv, vyplývajúcich z nákupu, vzťahuje záruka v nasledovnom znení.

- Záručná doba pre spotrebiteľa je 24 mesiacov a začína plynúť odo dňa, kedy bol výrobok zakúpený. Tento dátum musí byť doložený faktúrou alebo iným dokladom o zakúpení. Výrobok je navrhnutý a určený pre spotrebiteľov a len na súkromné používanie. Preto sa záruka sa neposkytuje v prípade použitia na profesionálne a komerčné účely.
- V prípade záhradného náradia (na striedavý/jednosmerný prúd AC/DC), existuje možnosť predĺženia záručnej doby oproti záručnej dobe, uvedenej vyššie, s využitím on-line registrácie na webovej stránke www.ryobitools.eu. Označenie na náradí o nároku na predĺženie záručnej doby je zreteľne uvedené v obchodoch a/alebo na obale a je uvedené v dokumentácii k výrobku. Koncový používateľ musí zaregistrovať svoje novozískané náradie on-line do 30 dní odo dňa nákupu. Koncový používateľ sa môže zaregistrovať na predĺženie záruky v krajine svojho bydliska, ak je v on-line registračnom formulári uvedená táto možnosť. Ďalej musia koncoví používatelia ešte dať svoj súhlas k uchovávaní údajov, ktoré je potrebné zadať on-line a musia súhlasiť s podmienkami. Potvrdenie o prijatí registrácie, ktorá je zaslaná e-mailom a originál faktúry, v ktorej je uvedený dátum nákupu, slúžia ako dôkaz o predĺženej záruke.
- Záruka sa vzťahuje na všetky poruchy výrobku v záručnej dobe, spôsobené chybami materiálu alebo spracovania k dátumu nákupu. Táto záruka je omezená na opravu a/alebo výmenu a nezahŕňa žiadne ďalšie povinnosti, vrátane, okrem iných, náhodné alebo následné škody. Táto záruka je neplatná, ak bol výrobok nesprávne používaný, bol používaný v rozpore s návodom na použitie alebo bol nesprávne zapojený. Táto záruka sa nevzťahuje na:
 - akékoľvek poškodenie výrobku, ktoré bolo spôsobené nesprávnou obsluhou
 - akýkoľvek výrobok, ktorý bol zmenený alebo upravený
 - akýkoľvek výrobok, na ktorom bolo poškodené, upravené alebo odstránené identifikačné označenie (ochranná známka, výrobné číslo)
 - akékoľvek škody, spôsobené nedodržaním návodu na obsluhu
 - akýkoľvek výrobok, ktorý neobsahuje označenie CE
 - akýkoľvek výrobok, ktorý sa pokúšal opraviť nekvalifikovaný odborník alebo bol opravovaný bez predchádzajúceho súhlasu zo strany spoločnosti Techtronic Industries.
 - akýkoľvek výrobok, pripojený k nesprávnemu napájaciemu zdroju (ampéry, napätie, frekvencia)
 - akýkoľvek výrobok, používaný s nesprávnou palivovou zmesou (palivo, olej, percento oleja)
 - akékoľvek poškodenia, spôsobené vonkajšími vplyvmi (chemickými, fyzikálnymi, nárazmi) alebo cudzorodými látkami
 - bežné opotrebovanie náhradných dielov
 - nehodné použitie, preťažovanie nástroja
 - používanie neschváleného príslušenstva a dielov
 - Akékoľvek pravidelné úpravy alebo čistenie karburátorov, vykonávaných vrámi údržby
 - Súčiastky (diely a príslušenstvo), ktoré podliehajú prirodzenému opotrebeniu, okrem iných, otočné gombíky, hnače remene, spojka, nože na nožnice na živý plot alebo kosačky na trávu, popruhy, lanko škrtiacej klapky, uhličky, napájací kábel, radličky, plstené podložky, závesné kince, lopatky fúkačov, trubice vysávača a fúkača, vak do vysávača a popruhy, vodiace lišty, reťazové píly, hadice, spojovacie armatúry, trysky, kolesá, striekacie rúrky, vnútorné cievky, vonkajšie cievky, žacie lanká, zapalovacie sviečky, vzduchové filtre, benzínové filtre, mulčovacie nože atď.
- Na opravu musí byť výrobok odoslaný alebo doručený do autorizovaného servisného strediska RYOBI, uvedeného pre každú krajinu v nasledovnom zozname adries servisných stredísk. V niektorých krajinách miestny zástupca RYOBI preberá na seba záväzok zaslať tovar do servisnej organizácii RYOBI. Pri odosielaní výrobku do servisného strediska RYOBI je potrebné výrobok bezpečne zabaliť bez akéhokoľvek nebezpečného obsahu, ako je benzín, s vyznačením adresy odosiadateľa, s krátkym popisom poruchy.
- Oprava/výmena je vrámi tejto záruky bezplatná. Neznamená to predĺženie záruky alebo spustenie novej záručnej doby. Vymenené diely alebo nástroje sa stávajú našim vlastníctvom. V niektorých krajinách náklady na odoslanie alebo poštné musí zaplatiť odosiadateľ. Vaše zákonné práva, vyplývajúce z nákupu náradia, zostávajú nedotknuté
- Táto záruka platí v Európskej únii, Švajčiarsku, Islande, Nórsku, Lihtenštajnsku, Turesku a Rusku. Ak sa nachádzate mimo týchto oblastí, obráťte sa na autorizovaného predajcu RYOBI na určenie, či sa dá uplatniť iná záruka.

AUTORIZOVANÉ SERVISNÉ CENTRUM

Ak chcete nájsť najbližšie autorizované servisné centrum, navštívte stránku <http://uk.ryobitools.eu/header/service-and-support/service-agents>.

BG УСЛОВИЯ ЗА ВАЛИДНОСТ НА ГАРАНЦИЯТА НА RYOBI®

В допълнение към законоустановените права, произтичащи от покупката, този продукт е обхванат от гаранция, както е описано по-долу.

- Гаранционният срок е 24 месеца за клиенти и започва да тече от деня на закупуване на продукта. Тази дата трябва да се докаже с фактура или друго доказателство за покупка. Продуктът е изработен и предназначен само за потребителска и лична употреба. Следователно не се дава гаранция в случай на използване от професионалисти или с търговска цел.
- Съществува възможност за удължаване на гаранционния срок за част от диалогана на гаранцията на градински инструменти (AC/DC) след изтичането на описания тук чрез регистрация на уеб сайта www.ryobitools.eu. В магазините и/или на опаковката или вътре в документацията на продукта е показано ясно дали инструментът отговаря на условията за такова удължаване на гаранционния срок. Крайният потребител трябва да регистрира своите новопридобити инструменти онлайн в рамките на 30 дни от датата на покупка. Крайният потребител може да се регистрира за удължена гаранция в държавата си на пребиваване, ако е посочена във формуляра за онлайн регистрация като място, където тази опция е валидна. Освен това крайните потребители трябва да дадат съгласието си за съхранение на данните, които са задължителни за попълване онлайн, и трябва да приемат общите условия. Полученото потвърждение за регистрация, изпратено по електронна поща, и оригиналната фактура, показваща датата на покупка, ще служат като доказателство за удължената гаранция.
- Гаранцията покрива всички дефекти на продукта по време на гаранционния срок, които се дължат на проблеми в изработката или материалите към момента на покупката. Гаранцията е ограничена до ремонт и/или замяна и не включва други задължения, включително, но не само, случайни или косвени щети. Гаранцията е невалидна, ако продуктът е използван неправилно или в противоречие с ръководството с инструкции, както и ако е свързан неправилно. Тази гаранция не важи за:
 - щети по продукта в резултат на неправилна профилактика
 - продукти, които са били изменени или модифицирани
 - продукт, при който оригиналните маркировки за идентификация (търговска марка, сериен номер) са изтрети, променени или премахнати
 - повреда, причинена от неспазване на ръководството с инструкции
 - продукт без CE маркировка
 - продукт, за който е направен опит за ремонт от невалифициран специалист или без предварително разрешение от Techtronic Industries.
 - продукт, свързан към неподходящо електрохранване (ампераж, волтаж, честота)
 - продукт, използван с неподходяща горивна смес (гориво, масло, процент масло)
 - щети, причинени от външни влияния (химични, физични, удари) или чужди вещества
 - нормално износване на резервни части
 - неподходяща употреба, претоварване на инструмент
 - използване на неодобриени аксесоари или части
 - Всякакви периодични настройки или почистване с цел извършване на поддръжка на карбуратори
 - Компоненти (части и аксесоари), подложени на естествено износване, включително, но не само, копчета за тласкане, задвижващи ремъци, съединители, остриета на ножици за жив плет или косачки за трева, презариями, кабелен дросел, карбонови четки, ذخаранващ кабел, остриета, филцови шабви, осигурителни шифтове, вентилатори на уреди за обдухване, тръби за обдухване и всмукване, торба за отпадъци и ремъци, водещи шини, вериги за триони, маркучи, фитинги на конектори, дюзи, копела, пръскалки, вътрешни и външни макири, режещо влакно, запалителни свещи, въздушни филтри, горивни филтри, остриета за мулчиране и др.
- За обслужване продуктът трябва да се изпрати или занесе на оторизиран сервиз на RYOBI, посочен за всяка държава в следния списък с адреси на сервиси. В някои държави местният търговец на RYOBI носи отговорността да изпрати продукта до сервизен център на RYOBI. При изпращане на продукт до сервиз на RYOBI той трябва да е опакован безопасно без опасност съдържание, напр. бензин, да е маркиран с адреса на подателя и придружен от кратко описание на повредата.
- Ремонтът/замяната по силата на тази гаранция са безплатни. Те не водят до удължаване или подновяване на гаранционния срок. Сменените части или инструменти стават наша собственост. В някои държави таксите за доставка или изпращане трябва да се платят от подателя. Законоустановените ви права, произтичащи от закупуването на инструмента, остават незасегнати
- Тази гаранция е валидна в Европейската общност, Швейцария, Исландия, Норвегия, Лихтенщайн, Турция и Русия. Извън тези области се свържете с упълномощения търговец на RYOBI, за да се установи дали е приложима друга гаранция.

УПЪЛНОМОЩЕН СЕРВИСЕН ЦЕНТЪР

За да намерите упълномощен сервизен център близо до вас, посетете <http://uk.ryobitools.eu/header/service-and-support/service-agents>.

UK ГАРАНТИЙНИ УМОВИ ДЛЯ RYOBI®

Окрім загалом установлених законом прав, що стосуються покупки, цей пристрій покривається гарантією, що зазначено нижче.

- Гарантійний період для споживачів складає 24 місяці і починається з моменту придбання цього пристрою. Ця дата повинна бути задокументована у гарантійному талоні або чеку, що підтверджує покупку. Цей пристрій був розроблений і призначений тільки для споживчого та приватного використання. У разі професійного або комерційного використання цього пристрою, він втрачає гарантію.
- Існує можливість продовжити гарантійний період, понад період описаний вище, для частини лінійки садових інструментів (перемінного/ постійного струму) за допомогою реєстрації на сайті www.ryobitools.eu. Пристрої, які мають право на подовження гарантійного періоду, мають чіткі позначки щодо цього в магазинах і/ або на упаковці / та документаші до пристрою. Кінцевий користувач повинен зареєструвати його/її новопридбаний пристрій онлайн протягом 30 днів з дати покупки. Кінцевий користувач може зареєструватися для подовження гарантійного періоду в своїй країні постійного перебування, якщо вона є доступною у відповідній опції онлайн форми реєстрації. Крім того, кінцеві користувачі повинні дати свою згоду на зберігання даних, які необхідні для введення онлайн, а також вони повинні прийняти правила та умови. Отримання підтвердження реєстрації, яке відправляється на адресу електронної пошти, та оригінал гарантійного талона із зазначеною датою покупки буде слугувати доказом подовженої гарантії.
- Гарантія поширюється на всі дефекти пристрою протягом гарантійного терміну щодо недотримання стандартів виробництва або матеріалів на дату придбання. Гарантія обмежується ремонтом та/або заміною, та не включає в себе будь-яких інших зобов'язань, в тому числі, але необмежена у разі випадкових та подальших пошкоджень. Гарантія не діє, якщо пристрій використовувався нена належним чином, всупереч інструкції з експлуатації або був неправильно підключений до мережі. Дана гарантія не поширюється на:
 - пристрої, що були пошкоджені у результаті неправильного технічного обслуговування;
 - пристрої, що були видозмінені або модифіковані;
 - пристрої, оригінальні ідентифікаційне (товарний знак, серійний номер) маркування яких було пошкоджене, змінене або видалено;
 - будь-які пошкодження, заподіяні недотриманням інструкції з експлуатації;
 - пристрої, що не мають маркування CE;
 - пристрої, що були відремонтовані неваліфікованим фахівцем або за відсутності попереднього дозволу від Techtronic Industries;
 - пристрої, підключені до невідповідного джерела живлення (сила току, напруження, частота);
 - пристрої, що використовувались із невідповідною паливною сумішшю (паливом, оливою, відсотковою часткою оливи);
 - будь-які пошкодження спричинені зовнішнім впливом (хімічними, фізичним, стрибком напруги) або сторонніми речовинами;
 - нормальну амортизацію запасних частин;
 - невідповідне використання, перевантаження пристрою;
 - використання не підтверджених запасних частин або аксесуарів;
 - Будь-які періодичні коригування або технічне очищення карбураторів
 - Компоненти (частини та аксесоари) з урахуванням нормального зношування, враховуючи але без обмеження на імпульсні кнопки, ремені приводу, зчеплення, леза куцоріза або газонокосарки, ремені, троси дросельного клапану, вугільні щітки, шнурки живлення, зубці, фетрові підкладки, зліпні штирі, вентилятори повітродувки, трубки пилососа та повітродувки, вакуумні мішки та накладки, напрямні, панчоги, гнучкі шланги, з'єднувальні фітинги, розпилювальні насадки, колеса, жорсткі сола, внутрішні котушки, зовнішні золотники, ріжучу волосінку, свічки запалення, повітряні фільтри, протигазові фільтри, мультисувальні леза, т.д.
- Для обслуговування, пристрій має бути відправлений або поданий до одного з авторизованих сервісних центрів RYOBI, які перелічені для кожної країни у наступному переліку адрес сервісних центрів. У деяких країнах місцевий дилер RYOBI зобов'язується відправити пристрій до сервісного центру RYOBI. При відправленні пристрою до сервісного центру RYOBI, пристрій має бути надійно упакуваний для будь-якого безбезпечного вмісту, наприклад бензину, з позначеною адресою відправника та супроводжуватися коротким описом несправності.
- Ремонт / заміна відповідно до цієї гарантії здійснюється безкоштовно. Це не є основою для подовження або початку нового гарантійного періоду. Замінені частини або прилади переходять до власності компанії. У деяких країнах вартість доставки або поштові витрати повинні бути сплачені відправником. Загально встановлені права покупки на пристрій залишаються незмінними
- Ця гарантія діє в Європейському Союзі, Швейцарії, Ісландії, Норвегії, Лихтенштейні, Туреччині та Росії. За межами цих зон, будь ласка, зверніться до офіційного дилера RYOBI, щоб визначити, чи застосовується інша гарантія.

АВТОРИЗОВАНІ СЕРВІСНІ ЦЕНТРИ

Для отримання оновленого переліку авторизованих сервісних центрів, відвідайте <http://uk.ryobitools.eu/header/service-and-support/service-agents>.

TR RYOBI® GARANTİ UYGULAMA KOŞULLARI

Alımdan kaynaklanan yasal haklara ek olarak, ürün aşağıda belirtilen garanti kapsamındadır.

1. Tüketiciler için 24 ay olan garanti süresi, ürünün satın alındığı tarihte başlar. Bu tarihin bir fatura ya da alım kantıtyla belgelenmesi gerekir. Ürün sadece tüketim ve özel kullanım için geliştirilmiş ve adanmıştır. Bu nedenle, profesyonel ya da ticari kullanım halinde garanti kapsamı sağlanmaz.
2. Bahçe aletlerinin bir bölümü (AC/DC) için www.ryobitools.eu sayfasındaki kayıt işlemini kullanarak garantinin belirtilen sürenin ötesine uzatma imkanı mevcuttur. Aletlerin garanti süresinin uzatılmasına uygun olup olmadığı mağazalarda ve / veya ambalajda açıkça belirtilmiş olup, ürün dokümantasyonunda gösterilir. Son kullanıcının yeni aldığı aletleri satın alma tarihini izleyen 30 gün içinde kaydettirmesi gerekir. Son kullanıcı ikamet ettiği ülkede, bu seçeneğin geçerli olduğu çevrimiçi kayıt formunda belirtilmişse, uzatılmış garanti süresi için kayıt yaptırabilir. Dahası, son kullanıcıların çevrimiçi giriş için gerekli verilerin kaydedilmesine izin vermemi ve hüküm ve koşulları kabul etmelidir. E-posta ile gönderilen kayıt teyit makbuzu ve alım tarihini gösteren orijinal fatura uzatılmış garantinin kanıtı olarak değerlendirilir.
3. Garanti, ürünün alım tarihindeki işçilik ve malzeme kusurları nedeniyle garanti süresi içinde oluşacak bütün arızalarını kapsar. Bu garanti onarım ve değiştirmeyle sınırlı olup, tesadüfi ya da dolaylı hasarlar da dahil, ancak bunlarla kısıtlı olmayan başka hiçbir taahhüdü kapsamaz. Garanti, ürünün kötü, kullanıcı kılavuzuna aykırı kullanılmış ya da yanlış bağlanmış olması halinde geçerli değildir. Bu garanti aşağıdakileri kapsamaz:
 - ürende, yanlış bakımdan kaynaklanan herhangi bir hasar
 - değiştirilmiş ya da modifiye edilmiş herhangi bir ürün
 - orijinal tanıtmı işaretleri (ticari marka, seri numarası) silinmiş, değiştirilmiş ya da kaldırılmış herhangi bir ürün
 - kullanma kılavuzuna uymamaktan kaynaklanmış herhangi bir hasar
 - herhangi bir AT dışı ürün
 - kalifiye olmamış personel tarafından ya da önceden Techtronic Industries onayı alınmadan onarılmış herhangi bir ürün.
 - uygunsuz güç kaynağına (amper, voltaj, frekans) bağlanmış herhangi bir ürün
 - uygunsuz bir yakıt karışımıyla (yakıt, yağ, yap yüzdesi) kullanılmış herhangi bir ürün
 - harici etkenlerden (kimyasal, fiziksel, darbe) veya yabancı cisimlerden kaynaklanan her türlü hasar
 - normal aşınır ve yıpranır aksam
 - uygunsuz kullanım, aletin aşırı yüklenmesi
 - onaysız aksesuar veya parça kullanımı
 - Karbüratörlere uygulanacak her türlü periyodik ayar, bakım veya temizlik
 - Darbe Düğmeleri, Tahrik Kayışları, Kavrama, Çit Budama ya da Çim Bıçme Makinelerinin Bıçakları, Kayış Koşumlar, Kablolu Gaz, Kömür Fırçalar, Güç Kablosu, Dişler, Keçe Rondelalar, Bağlantı Pimleri, Üfleyci Pervaneleri, Üfleyci ve Vakum Boruları, Vakum Torbası ve Kayışları, Kılavuz Çubuklar, Zincir Testerele, Hortumlar, Konektör bağlantıları, Püskürtme Memeleri, Çarklar, Püskürtme Çubukları, Dahili Makaralar, Harici Makaralar, Kesme Telleri, Bujiler, Hava Filtreleri, Gaz Filtreleri, Malçlama Bıçakları vb. gibi parçaları kapsayan, ancak bunlarla sınırlı olmayan, aşınma ve yıpranmaya tabi bileşenler (aksam ve aksesuarlar).
4. Ürünün servis için her ülkede aşağıdaki servis istasyonları adres listesinde yer alan yetkili bir RYOBI servis istasyonuna gönderilmesi ya götürülmesi gereklidir. Bazı ülkelerde, yerel RYOBI distribütörünüz ürünü RYOBI servis teşkilatına göndermeyi üstlenir. Bir ürün bir RYOBI servis istasyonuna gönderilirken, ürünün güvenli bir biçimde ambalajlanması, benzin gibi tehlikeli maddeler içermemesi, gönderenin adresini taşıması ve anızanın kısa bir açıklamasını içermesi gerekir.
5. Bu garanti kapsamında yapılacak onarım / değişiklik ücretsizdir. Garanti süresinin uzatılması ya da yeniden başlatılması anlamına gelmez. Değiştirilmiş parçalar veya aletler bize ait olur. Bazı ülkelerde teslimat ücretleri veya posta giderlerinin gönderici tarafından ödenmesi gerekir. Alımdan kaynaklanan yasal haklarınız etkilenez.
6. Bu Garanti Avrupa Topluluğu, İsviçre, İzlanda, Norveç, Liechtenstein, Türkiye ve Rusya'da geçerlidir. Bu alanların dışında, başka bir garantinin geçerli olup olmadığını belirlemek için lütfen yetkili RYOBI distribütörünüzle irtibata geçin.

YETKİLİ SERVİS MERKEZİ

En yakın yetkili servis merkezini öğrenmek için <http://uk.ryobitools.eu/header/service-and-support/service-agents> sitesine girin.

EN DECLARATION OF CONFORMITY

Technronic Industries GmbH
Max-Eyth-Straße 10, 71364 Winnenden, Germany

Herewith we declare that the product

Cordless Pruning Saw
Brand: RYOBI
Model number: RY18PSA
Serial number range: 47513901000001 - 47513901999999

is in conformity with the following European Directives and harmonised standards
2006/42/EC, 2014/30/EU, 2011/65/EU, EN 62841-1:2015, EN 62841-2-11:2016,
EN 55014-1:2017, EN 55014-2:2015, EN IEC 63000:2018

Todd Chipner
Sr. Director, Regulatory & Safety
Winnenden, Dec. 20, 2019

Authorised to compile the technical file:
Alexander Krug, Managing Director
Technronic Industries GmbH
Max-Eyth-Straße 10, 71364 Winnenden, Germany

CE

DE KONFORMITÄTSERKLÄRUNG

Technronic Industries GmbH
Max-Eyth-Straße 10, 71364 Winnenden, Germany

Hiermit erklären wir, dass die Produkte

Akku-Baumsäge
Marke: RYOBI
Modellnummer: RY18PSA
Seriennummernbereich: 47513901000001 - 47513901999999

mit den folgenden europäischen Richtlinien und harmonisierten Normen entspricht
2006/42/EC, 2014/30/EU, 2011/65/EU, EN 62841-1:2015, EN 62841-2-11:2016,
EN 55014-1:2017, EN 55014-2:2015, EN IEC 63000:2018

Todd Chipner
Sr. Director, Vorschriften und Sicherheit
Winnenden, Dec. 20, 2019

Autorisiert die technische Datei zu erstellen:
Alexander Krug, Geschäftsführer
Technronic Industries GmbH
Max-Eyth-Straße 10, 71364 Winnenden, Germany

CE

FR DÉCLARATION DE CONFORMITÉ

Technronic Industries GmbH
Max-Eyth-Straße 10, 71364 Winnenden, Germany

Déclarons par la présente que le produit

Scie d'élagage sans fil
Marque: RYOBI
Numéro de modèle: RY18PSA
Étendue des numéros de série: 47513901000001 - 47513901999999

est conforme aux Directives Européennes et Normes Harmonisées suivantes
2006/42/EC, 2014/30/EU, 2011/65/EU, EN 62841-1:2015, EN 62841-2-11:2016,
EN 55014-1:2017, EN 55014-2:2015, EN IEC 63000:2018

Todd Chipner
Directeur principal, Réglementation & Sécurité
Winnenden, Dec. 20, 2019

Autorisé à rédiger le dossier technique:
Alexander Krug, Directeur Général
Technronic Industries GmbH
Max-Eyth-Straße 10, 71364 Winnenden, Germany

CE

ES DECLARACIÓN DE CONFORMIDAD

Technronic Industries GmbH
Max-Eyth-Straße 10, 71364 Winnenden, Germany

Por la presente declaramos que los productos

Sierra de poda inalámbrica
Marca: RYOBI
Número de modelo: RY18PSA
Intervalo del número de serie: 47513901000001 - 47513901999999

se encuentra en conformidad con las siguientes Directivas Europeas y normas armonizadas
2006/42/EC, 2014/30/EU, 2011/65/EU, EN 62841-1:2015, EN 62841-2-11:2016,
EN 55014-1:2017, EN 55014-2:2015, EN IEC 63000:2018

Todd Chipner
Director principal, Director General de Normativa y Seguridad
Winnenden, Dec. 20, 2019

Autorizado para elaborar la ficha técnica:
Alexander Krug, Administrador Ejecutivo
Technronic Industries GmbH
Max-Eyth-Straße 10, 71364 Winnenden, Germany

CE

IT DICHIARAZIONE DI CONFORMITÀ

Techtronic Industries GmbH
Max-Eyth-Straße 10, 71364 Winnenden, Germany

Si dichiara con la presente che il prodotto

Lama di potatura senza fili
Marca: RYOBI
Numero modello: RY18PSA
Gamma numero seriale: 47513901000001 - 47513901999999

è conforme alle seguenti Direttive Europee e ai seguenti standard armonizzati
2006/42/EC, 2014/30/EU, 2011/65/EU, EN 62841-1:2015, EN 62841-2-11:2016,
EN 55014-1:2017, EN 55014-2:2015, EN IEC 63000:2018

Todd Chipner
Sig. Direttore, Dipartimento Regolazioni & Sicurezza
Winnenden, Dec. 20, 2019

Autorizzato per compilare il file tecnico:
Alexander Krug, Direttore Amministrativo
Techtronic Industries GmbH
Max-Eyth-Straße 10, 71364 Winnenden, Germany

CE

PT DECLARAÇÃO DE CONFORMIDADE

Techtronic Industries GmbH
Max-Eyth-Straße 10, 71364 Winnenden, Germany

Pelo presente declaramos que os produtos

Serra de podar sem fios
Marca: RYOBI
Número do modelo: RY18PSA
Intervalo do número de série: 47513901000001 - 47513901999999

*se encontra em conformidade com as seguintes Directivas Europeias e normas
harmozadas*
2006/42/EC, 2014/30/EU, 2011/65/EU, EN 62841-1:2015, EN 62841-2-11:2016,
EN 55014-1:2017, EN 55014-2:2015, EN IEC 63000:2018

Todd Chipner
Sr. Diretor, Regulamentação & Segurança
Winnenden, Dec. 20, 2019

Autorizado para compilar o ficheiro técnico:
Alexander Krug, Administrador Executivo
Techtronic Industries GmbH
Max-Eyth-Straße 10, 71364 Winnenden, Germany

CE

NL CONFORMITEITSVERKLARING

Techtronic Industries GmbH
Max-Eyth-Straße 10, 71364 Winnenden, Germany

Hierbij verklaren wij dat het product

Snoerloze snoeizaag
Merk: RYOBI
Modelnummer: RY18PSA
Serienummerbereik: 47513901000001 - 47513901999999

*is in overeenstemming met de volgende Europese Richtlijnen en geharmoniseerde
normen*
2006/42/EC, 2014/30/EU, 2011/65/EU, EN 62841-1:2015, EN 62841-2-11:2016,
EN 55014-1:2017, EN 55014-2:2015, EN IEC 63000:2018

Todd Chipner
Dhr. Directeur, Regelgeving en veiligheid
Winnenden, Dec. 20, 2019

Afgevaardigde voor het samenstellen van de technische fiche:
Alexander Krug, Directeur
Techtronic Industries GmbH
Max-Eyth-Straße 10, 71364 Winnenden, Germany

CE

DA OVERENSSTEMMELSESERKLÆRING

Techtronic Industries GmbH
Max-Eyth-Straße 10, 71364 Winnenden, Germany

Vi erklærer hermed, at produktet

Trådløs beskærings sav
Brand: RYOBI
Modelnummer: RY18PSA
Serienummerområde: 47513901000001 - 47513901999999

er i overensstemmelse med følgende EU-direktiver og harmoniserede standarder
2006/42/EC, 2014/30/EU, 2011/65/EU, EN 62841-1:2015, EN 62841-2-11:2016,
EN 55014-1:2017, EN 55014-2:2015, EN IEC 63000:2018

Todd Chipner
Hr. Direktør, regler og sikkerhed
Winnenden, Dec. 20, 2019

Bemyndiget til at udarbejde det tekniske kartotek:
Alexander Krug, Administrerende Direktør
Techtronic Industries GmbH
Max-Eyth-Straße 10, 71364 Winnenden, Germany

CE

SV KONFORMITETSDEKLARATION

Techtronic Industries GmbH
Max-Eyth-Straße 10, 71364 Winnenden, Germany

Härmed deklarerar vi att produkterna

Sladdlös beskärningssåg
Märke: RYOBI
Modellnummer: RY18PSA
Serienummerintervall: 47513901000001 - 47513901999999

är i enlighet med följande EU-direktiv och harmoniserade standarder
2006/42/EC, 2014/30/EU, 2011/65/EU, EN 62841-1:2015, EN 62841-2-11:2016,
EN 55014-1:2017, EN 55014-2:2015, EN IEC 63000:2018

CE

Todd Chipner
Överordnad direktör, regelverk och säkerhet
Winnenden, Dec. 20, 2019

Godkänd att sammanställa den tekniska filen:
Alexander Krug, VD
Techtronic Industries GmbH
Max-Eyth-Straße 10, 71364 Winnenden, Germany

NO SAMSVARERKLÆRING

Techtronic Industries GmbH
Max-Eyth-Straße 10, 71364 Winnenden, Germany

Herved erklærer vi at produktet

Trådløs trebeskæringssåg
Märke: RYOBI
Modellnummer: RY18PSA
Serienummerserie: 47513901000001 - 47513901999999

er i samsvar med følgende europeiske direktiver og harmoniserede standarder
2006/42/EC, 2014/30/EU, 2011/65/EU, EN 62841-1:2015, EN 62841-2-11:2016,
EN 55014-1:2017, EN 55014-2:2015, EN IEC 63000:2018

CE

Todd Chipner
Sr. direktør, CPT leverandørkvalitet, forskrifter og sikkerhet
Winnenden, Dec. 20, 2019

Autorisert til å sette sammen den tekniske filen:
Alexander Krug, Administrerende Direktør
Techtronic Industries GmbH
Max-Eyth-Straße 10, 71364 Winnenden, Germany

FI SÄÄNNÖSTEN NOUDATTAMINEN

Techtronic Industries GmbH
Max-Eyth-Straße 10, 71364 Winnenden, Germany

Ilmoitamme täten, että tuotteet

Akkuksasaha
Tuotemerkki: RYOBI
Mallinumero: RY18PSA
Sarjanumerosalue: 47513901000001 - 47513901999999

noudattaa seuraavia EU-direktivejä ja harmonoituja standardeja
2006/42/EC, 2014/30/EU, 2011/65/EU, EN 62841-1:2015, EN 62841-2-11:2016,
EN 55014-1:2017, EN 55014-2:2015, EN IEC 63000:2018

CE

Todd Chipner
Sr. Director, säästöstenmukaisuus ja turvallisuus
Winnenden, Dec. 20, 2019

Valtuutettu kokoamaan tekninen tiedosto:
Alexander Krug, Toimitusjohtaja
Techtronic Industries GmbH
Max-Eyth-Straße 10, 71364 Winnenden, Germany

RU ЗАЯВЛЕНИЕ О СООТВЕТСТВИИ ТРЕБОВАНИЯМ

Techtronic Industries GmbH
Max-Eyth-Straße 10, 71364 Winnenden, Germany

Настоящим мы заявляем, что данный продукт

Беспроводная пила для обрезки ветвей
Марка: RYOBI
Номер модели: RY18PSA
Диапазон заводских номеров: 47513901000001 - 47513901999999

соответствует требованиям следующих Директив ЕС и согласованных стандартов
2006/42/EC, 2014/30/EU, 2011/65/EU, EN 62841-1:2015, EN 62841-2-11:2016,
EN 55014-1:2017, EN 55014-2:2015, EN IEC 63000:2018

CE

Todd Chipner
Г-н Директор, технике безопасности и стандартам
Winnenden, Dec. 20, 2019

Лицо, ответственное за подготовку технической документации:
Alexander Krug, Директор
Techtronic Industries GmbH
Max-Eyth-Straße 10, 71364 Winnenden, Germany

PL DEKLARACJA ZGODNOŚCI

Techtronic Industries GmbH
Max-Eyth-Straße 10, 71364 Winnenden, Germany

Niniejszym deklarujemy, że produkty

Przycinarka akumulatorowa
Marka: RYOBI
Numer modelu: RY18PSA
Zakres numerów seryjnych: 47513901000001 - 47513901999999

jest zgodny z następującymi dyrektywami europejskimi i zharmonizowanymi normami
2006/42/EC, 2014/30/EU, 2011/65/EU, EN 62841-1:2015, EN 62841-2-11:2016, EN 55014-1:2017, EN 55014-2:2015, EN IEC 63000:2018

Todd Chipner
Starszy dyrektor ds. zgodności prawnej i bezpieczeństwa
Winnenden, Dec. 20, 2019

Osoba upoważniona do sporządzenia dokumentu technicznego:
Alexander Krug, Dyrektor Zarządzający
Techtronic Industries GmbH
Max-Eyth-Straße 10, 71364 Winnenden, Germany

CE

HU MEGFELELŐSÉGI NYILATKOZAT

Techtronic Industries GmbH
Max-Eyth-Straße 10, 71364 Winnenden, Germany

Ezúton kijelentjük, hogy a termékek

Akkumulátoros kézi fűrész
Márka: RYOBI
Típuszám: RY18PSA
Sorozatszám tartomány: 47513901000001 - 47513901999999

megfelel az alábbi Európai iránylevek és harmonizált szabványok vonatkozó rendelkezéseinek
2006/42/EC, 2014/30/EU, 2011/65/EU, EN 62841-1:2015, EN 62841-2-11:2016, EN 55014-1:2017, EN 55014-2:2015, EN IEC 63000:2018

Todd Chipner
Senior igazgató, Megfelelőségi és biztonsági területek
Winnenden, Dec. 20, 2019

A műszaki dokumentáció összeállítására felhatalmazott:
Alexander Krug, Ügyvezető Igazgató
Techtronic Industries GmbH
Max-Eyth-Straße 10, 71364 Winnenden, Germany

CE

CS PROHLÁŠENÍ O SHODĚ

Techtronic Industries GmbH
Max-Eyth-Straße 10, 71364 Winnenden, Germany

Tímto prohlašujeme, že výrobky

Akumulátorová vyvrtávací pila
Značka: RYOBI
Číslo modelu: RY18PSA
Rozsah sériových čísel: 47513901000001 - 47513901999999

že tento výrobek je v souladu s evropskými a harmonizovanými standardy
2006/42/EC, 2014/30/EU, 2011/65/EU, EN 62841-1:2015, EN 62841-2-11:2016, EN 55014-1:2017, EN 55014-2:2015, EN IEC 63000:2018

Todd Chipner
Vyšší ředitel, normy a bezpečnost
Winnenden, Dec. 20, 2019

Pověření ke kompilaci technického souboru:
Alexander Krug, Generální Ředitel
Techtronic Industries GmbH
Max-Eyth-Straße 10, 71364 Winnenden, Germany

CE

RO DECLARAȚIE DE CONFORMITATE

Techtronic Industries GmbH
Max-Eyth-Straße 10, 71364 Winnenden, Germany

Prin prezenta, declarăm că produsele

Fierăstrău de tăiat crengi fără fir
Marcă: RYOBI
Număr serie: RY18PSA
Gamă număr serie: 47513901000001 - 47513901999999

este în conformitate cu următoarele Directive Europene și standarde armonizate
2006/42/EC, 2014/30/EU, 2011/65/EU, EN 62841-1:2015, EN 62841-2-11:2016, EN 55014-1:2017, EN 55014-2:2015, EN IEC 63000:2018

Todd Chipner
Director Senior, reglementare & siguranță
Winnenden, Dec. 20, 2019

Autorizat să completeze fișa tehnică:
Alexander Krug, Director General
Techtronic Industries GmbH
Max-Eyth-Straße 10, 71364 Winnenden, Germany

CE

LV ATBILSTĪBAS DEKLARĀCIJA

Technronic Industries GmbH
Max-Eyth-Straße 10, 71364 Winnenden, Germany

Ar šo paziņojam, ka produkti

Akumulatoru zaru zāģis
Zīmols: RYOBI
Modeļa numurs: RY18PSA
Sērijas numura intervāls: 47513901000001 - 47513901999999

atbilst šādām Eiropas direktīvām un saskaņotajiem standartiem
2006/42/EC, 2014/30/EU, 2011/65/EU, EN 62841-1:2015, EN 62841-2-11:2016,
EN 55014-1:2017, EN 55014-2:2015, EN IEC 63000:2018

Todd Chipner
Vecākais Direktors, darba drošības noteikumi
Winnenden, Dec. 20, 2019

Pilnvarots sastādīt tehnisko failu:
Alexander Krug, Izpildidirektors
Technronic Industries GmbH
Max-Eyth-Straße 10, 71364 Winnenden, Germany

CE

ET VASTAVUSDEKLARATSIIOON

Technronic Industries GmbH
Max-Eyth-Straße 10, 71364 Winnenden, Germany

Kinnitame, et see toode

Juhtmeta oksasaag
Mark: RYOBI
Mudeli number: RY18PSA
Seerianumbri vahemik: 47513901000001 - 47513901999999

vastab järgmistele Euroopa direktiividele ja harmoniseeritud standarditele
2006/42/EC, 2014/30/EU, 2011/65/EU, EN 62841-1:2015, EN 62841-2-11:2016,
EN 55014-1:2017, EN 55014-2:2015, EN IEC 63000:2018

Todd Chipner
Vanemdirektor, standardiseerimise ja ohutuse alal
Winnenden, Dec. 20, 2019

Tehnilise faili koostamiseks volitatud isik:
Alexander Krug, Tegevdirektor
Technronic Industries GmbH
Max-Eyth-Straße 10, 71364 Winnenden, Germany

CE

LT ATITIKTIES DEKLARACIJA

Technronic Industries GmbH
Max-Eyth-Straße 10, 71364 Winnenden, Germany

Mes pareiškiame, kad šie produktai

Akumulatorinis šakų genėtuvas
Prekės ženklas: RYOBI
Modelio numeris: RY18PSA
Serijinio numerio diapazonas: 47513901000001 - 47513901999999

pagamintas laikantis toliau nurodytųjų Europos Direktyvų ir darniųjų standartų
2006/42/EC, 2014/30/EU, 2011/65/EU, EN 62841-1:2015, EN 62841-2-11:2016,
EN 55014-1:2017, EN 55014-2:2015, EN IEC 63000:2018

Todd Chipner
Vyr. direktorius, Kontrolės ir saugos
Winnenden, Dec. 20, 2019

Igaliotas sudaryti techninį failą:
Alexander Krug, Generalinis Direktorius
Technronic Industries GmbH
Max-Eyth-Straße 10, 71364 Winnenden, Germany

CE

HR IZJAVA O USKLADENOSTI

Technronic Industries GmbH
Max-Eyth-Straße 10, 71364 Winnenden, Germany

Ovime izjavljujemo da su proizvodi

Akumulatorska pila za orezivanje
Marka: RYOBI
Broj modela: RY18PSA
Raspon serijskog broja: 47513901000001 - 47513901999999

usklađen sa sljedećim Europskim Direktivama i usklađenim normama
2006/42/EC, 2014/30/EU, 2011/65/EU, EN 62841-1:2015, EN 62841-2-11:2016,
EN 55014-1:2017, EN 55014-2:2015, EN IEC 63000:2018

Todd Chipner
Viši direktor, pravila i sigurnost
Winnenden, Dec. 20, 2019

Ovlašten da sastavi tehničku datoteku:
Alexander Krug, Direktor Upravljanja
Technronic Industries GmbH
Max-Eyth-Straße 10, 71364 Winnenden, Germany

CE

SL IZJAVA O SKLADNOSTI

Techtronic Industries GmbH
Max-Eyth-Straße 10, 71364 Winnenden, Germany

Izjavljamo, da je izdelek

Brezžična obrezovalna žaga
Znamka: RYOBI
Številka modela: RY18PSA
Razpon serijskih števil: 47513901000001 - 47513901999999

v skladu s sledečimi evropskimi direktivami in harmoniziranimi standardi
2006/42/EC, 2014/30/EU, 2011/65/EU, EN 62841-1:2015, EN 62841-2-11:2016,
EN 55014-1:2017, EN 55014-2:2015, EN IEC 63000:2018

Todd Chipner
Višji direktor, zakonodajne in varnostne zadeve
Winnenden, Dec. 20, 2019

Pooblaščen oseba za sestavo tehnične dokumentacije:
Alexander Krug, Izvršni Direktor
Techtronic Industries GmbH
Max-Eyth-Straße 10, 71364 Winnenden, Germany

BG ДЕКЛАРАЦИЯ НА ЗА СЪОТВЕТСТВИЕ

Techtronic Industries GmbH
Max-Eyth-Straße 10, 71364 Winnenden, Germany

С настоящето декларираме, че продуктите

Безжичен трион за кастрене
Марка: RYOBI
Номер на модела: RY18PSA
Обхват на серийни номера: 47513901000001 - 47513901999999

отговаря на следните директиви на ЕС и хармонизирани стандарти
2006/42/EC, 2014/30/EU, 2011/65/EU, EN 62841-1:2015, EN 62841-2-11:2016,
EN 55014-1:2017, EN 55014-2:2015, EN IEC 63000:2018

Todd Chipner
Главен директор, отдел Нормативни изисквания и безопасност
Winnenden, Dec. 20, 2019

Упълномощено лице за съставяне на техническия файл:
Alexander Krug, Изпълнителен Директор
Techtronic Industries GmbH
Max-Eyth-Straße 10, 71364 Winnenden, Germany

SK PREHLÁSENIE O ZHODE

Techtronic Industries GmbH
Max-Eyth-Straße 10, 71364 Winnenden, Germany

Týmto vyhlasujeme, že výrobok

Akumulátorová píla na prerazovanie
Značka: RYOBI
Číslo modelu: RY18PSA
Rozsah sériových čísiel: 47513901000001 - 47513901999999

je v súlade s nasledujúcimi Európskymi smernicami a harmonizovanými normami
2006/42/EC, 2014/30/EU, 2011/65/EU, EN 62841-1:2015, EN 62841-2-11:2016,
EN 55014-1:2017, EN 55014-2:2015, EN IEC 63000:2018

Todd Chipner
vyšší riaditeľ, Regulácia a bezpečnosť
Winnenden, Dec. 20, 2019

Oprávnená osoba na zostavenie technického súboru:
Alexander Krug, Generálny Riaditeľ
Techtronic Industries GmbH
Max-Eyth-Straße 10, 71364 Winnenden, Germany

UK ДЕКЛАРАЦИЯ ПРО ВІДПОВІДНІСТЬ

Techtronic Industries GmbH
Max-Eyth-Straße 10, 71364 Winnenden, Germany

При цьому ми заявляємо, що продукт

Бездротова пила для зрізання гілок
Марка: RYOBI
Номер моделі: RY18PSA
Діапазон серійного номеру: 47513901000001 - 47513901999999

у відповідності з наступними європейськими директивами та гармонізованими стандартами
2006/42/EC, 2014/30/EU, 2011/65/EU, EN 62841-1:2015, EN 62841-2-11:2016,
EN 55014-1:2017, EN 55014-2:2015, EN IEC 63000:2018

Todd Chipner
Ген. директор, регулювання і безпека
Winnenden, Dec. 20, 2019

Дозвіл на складання технічного файла:
Alexander Krug, керуючий Директор
Techtronic Industries GmbH
Max-Eyth-Straße 10, 71364 Winnenden, Germany

TR UYGUNLUK BEYANI

Techtronic Industries GmbH
Max-Eyth-StraÙe 10, 71364 Winnenden, Germany

IÙ bu belge ile bu ürünün

Kablosuz Budama Testeresi
Marka: RYOBI
Model numarası: RY18PSA
Seri numarası aralıđı: 47513901000001 - 47513901999999

*aÙađıdaki Avrupa Direktiflerine ve uyumlaÙtırılmıÙ standartlara uygun olduđunu
beyan ediyorum*

2006/42/EC, 2014/30/EU, 2011/65/EU, EN 62841-1:2015, EN 62841-2-11:2016,
EN 55014-1:2017, EN 55014-2:2015, EN IEC 63000:2018



CE

Todd Chipner
Kıdemli Direktör, Düzenleme ve Güvenlik
Winnenden, Dec. 20, 2019

Teknik dosyayı derlemekle yetkili sorumlu:
Alexander Krug, İdari Müdür
Techtronic Industries GmbH
Max-Eyth-StraÙe 10, 71364 Winnenden, Germany





- EN** RYOBI is a trademark of Ryobi Limited, and is used under license.
© 2019 Techtronic Cordless GP. All rights reserved.
- FR** RYOBI est une marque déposée de Ryobi Limited, et est utilisée sous licence.
© 2019 Techtronic Cordless GP. Tous droits réservés.
- DE** RYOBI ist ein Markenzeichen von Ryobi Limited und wird in Lizenz verwendet.
© 2019 Techtronic Cordless GP. Alle Rechte vorbehalten.
- ES** RYOBI es una marca registrada de Ryobi Limited, y se utiliza bajo licencia.
© 2019 Techtronic Cordless GP. Todos los derechos reservados.
- IT** L'utilizzo del marchio registrato RYOBI è legato alla licenza concessa da Ryobi Limited.
© 2019 Techtronic Cordless GP. Tutti i diritti riservati.
- NL** RYOBI is een handelsmerk van Ryobi Limited en wordt onder licentie gebruikt.
© 2019 Techtronic Cordless GP. Alle rechten voorbehouden.
- PT** RYOBI é uma marca comercial de Ryobi Limited, e é utilizada sob licença.
© 2019 Techtronic Cordless GP. Todos os direitos reservados.
- DA** RYOBI er et varemærke tilhørende Ryobi Limited og bruges under licens.
© 2019 Techtronic Cordless GP. Alle rettigheder forbeholdes.
- SV** RYOBI är en del av varumärke Ryobi Limited och dess användning är licensierad.
© 2019 Techtronic Cordless GP. Alla rättigheter förbehålls.
- FI** RYOBI on Ryobi Limitedin omistama tavaramerkki, ja sitä käytetään lisenssin puitteissa.
© 2019 Techtronic Cordless GP. Kaikki oikeudet pidätetään.
- NO** RYOBI er et varemerke for Ryobi Limited, og brukes under lisens.
© 2019 Techtronic Cordless GP. Alle rettigheter forbeholdt.
- RU** RYOBI является товарным знаком компании Ryobi Limited, используемым по лицензии.
© 2019 Techtronic Cordless GP. Все права защищены.
- PL** RYOBI to znak towarowy firmy Ryobi Limited i jest używany zgodnie z udzieloną licencją.
© 2019 Techtronic Cordless GP. Wszelkie prawa zastrzeżone.
- CS** RYOBI je ochranná známka společnosti Ryobi Limited a její používání podléhá licenci.
© 2019 Techtronic Cordless GP. Všechna práva vyhrazena.
- HU** A RYOBI a Ryobi Limited védjegye, használatát licenc keretében történik.
© 2019 Techtronic Cordless GP. Minden jog fenntartva.
- RO** RYOBI este o marcă comercială a firmei Ryobi Limited și este utilizată sub licență.
© 2019 Techtronic Cordless GP. Toate drepturile rezervate.
- LV** RYOBI ir Ryobi Limited preču zīme un tiek izmantota saskaņā ar licenci.
© 2019 Techtronic Cordless GP. Visas tiesības aizsargātas.
- LT** „RYOBI” yra „Ryobi Limited” prekės ženklas, naudojamas pagal licenciją.
© 2019 Techtronic Cordless GP. Visos teisės saugomos.
- ET** RYOBI on ettevõtte Ryobi Limited kaubamärk, mida kasutatakse litsentsi alusel.
© 2019 Techtronic Cordless GP. Kõik õigused kaitsitud.
- HR** RYOBI je žig tvrtke Ryobi Limited i koristi se po licenci.
© 2019 Techtronic Cordless GP. Sva prava pridržana.
- SL** RYOBI je blagovna znamka družbe Ryobi Limited in se uporablja na podlagi dovoljenja.
© 2019 Techtronic Cordless GP. Vse pravice pridržane.
- SK** RYOBI je ochranná známka spoločnosti Ryobi Limited a používa sa na základe licencie.
© 2019 Techtronic Cordless GP. Všetky práva vyhradené.
- BG** RYOBI е търговска марка на Ryobi Limited и се използва под лиценз.
© 2019 Techtronic Cordless GP. Всички права запазени.
- UK** RYOBI є товарним знаком Ryobi Limited, і використовується за ліцензією.
© 2019 Techtronic Cordless GP. Усі права зберігаються.
- TR** RYOBI, Ryobi Limited şirketine ait olup, lisans altında kullanılan bir ticari markadır.
© 2019 Techtronic Cordless GP. Tüm hakları saklıdır.





Techtronic Industries GmbH
Max-Eyth-Straße 10,
71364 Winnenden, Germany

960398021-01