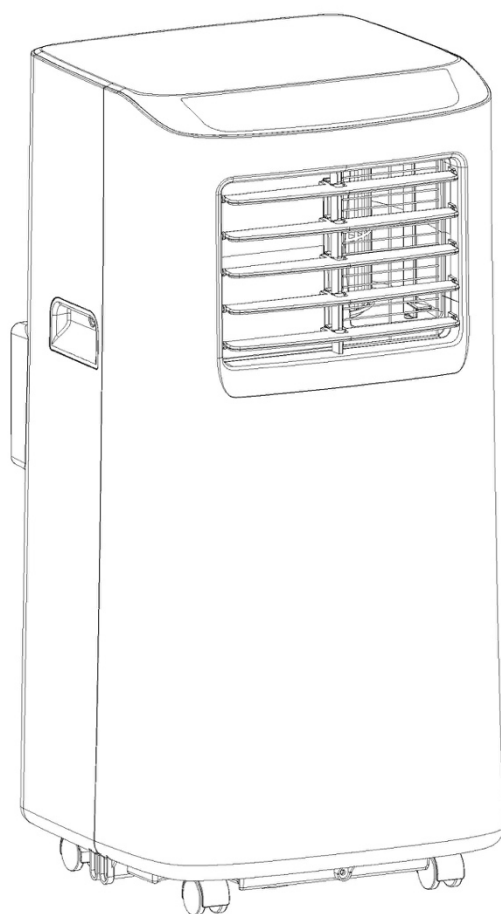


T E A M

KALORIK



Local Air conditioner
Klimatyzator przenośny
Mobilná klimatizácia
Mobilní klimatizace
Climatiseur d'appoint
Mobiele airconditioner



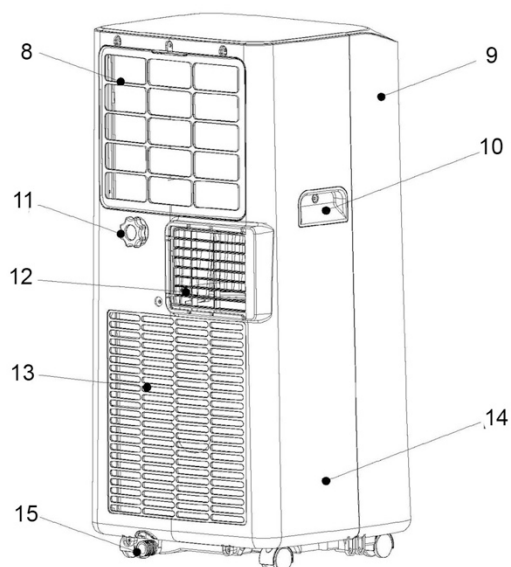
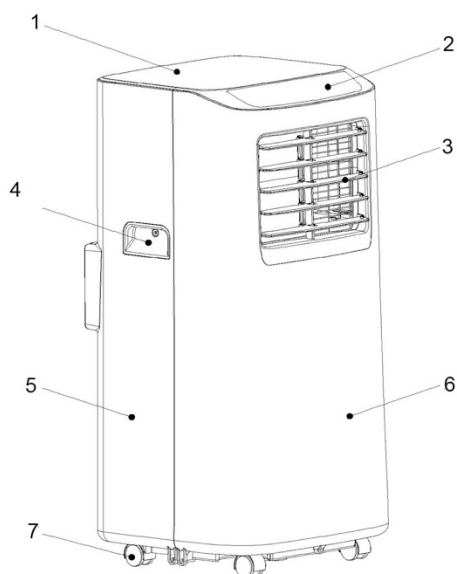
I/B Version
190110

TKG ACM 1010

220-240V 792W

www.kalorik.eu

Components/Części/



GB

1. Top cover
2. Control panel
3. Air outlet/louver
4. Handle
5. Rear housing
6. Front housing
7. Caster
8. EVA Filter
9. Front housing
10. Handle
11. Continuous drainage hole
12. Air vent
13. CON Filter
14. Rear housing
15. Drainage hole

A. Window Sealing Plate

B. Exhaust Pipe Assembly

PL

1. Pokrywa górną
 2. Panel kontrolny
 3. Żaluzja wylotu powietrza
 4. Uchwyt
 5. Obudowa boczna
 6. Obudowa przednia
 7. Kółka
 8. Filtr EVA
 9. Obudowa przednia
 10. Uchwyt
 11. Otwór drenażu ciągłego
 12. Nawiew
 13. Filtr CON
 14. Obudowa boczna
 15. Otwór drenażowy
- A. Rura wylotowa układu wydechowego
B. Adapter okienny

SK

1. Vrchný kryt
2. Ovládací panel
3. Výstupný otvor pre vzduch
4. Držiak
5. Zadný obal
6. Predný obal
7. Koleska
8. Filter EVA
9. Predný obal
10. Držiak
11. Drenážny otvor
12. Vzduchová ventilácia
13. Filter CON
14. Zadný obal
15. Vypúšťací otvor/gumová zátka

A. Výfukové trubky

B. Adaptér /posuvná prechodka

CZ

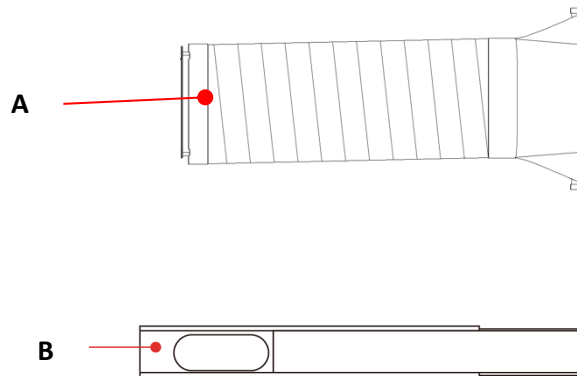
1. Vrchní kryt
 2. Ovládací panel
 3. Výkyvný kryt
 4. Ručka
 5. Zadní obal
 6. Přední obal
 7. Kolečka
 8. Filtr EVA
 9. Přední obal
 10. Ručka
 11. Drenážní otvor
 12. Vzduchová ventilace
 13. Filtr CON
 14. Zadní obal
 15. Vypouštěcí otvor/gumová zátka
- A. Vyfukové trubky
B. Adaptér / Okenní posuvný jezdec

FR

1. Boîtier supérieur
 2. Panneau de contrôle
 3. Volet oscillant
 4. Poignée
 5. Boîtier arrière
 6. Boîtier avant
 7. Roulettes multidirectionnelles
 8. Filtre EVA
 9. Boîtier avant
 10. Poignée
 11. Orifice de drainage continu
 12. Évent
 13. Filtre CON
 14. Boîtier avant
 15. Orifice de drainage
- A.** Assemblage du tuyau d'échappement
B. Adaptateur – plaque de fermeture de fenêtre

NL

1. Bovenste behuizing
 2. Bedieningspaneel
 3. Luik met swing-functie
 4. Handvat
 5. Achterste behuizing
 6. Voorste behuizing
 7. Zwenkwielen met meerdere richtingen
 8. EVA-filter
 9. Voorste behuizing
 10. Handvat
 11. Continue afvoeropening
 12. Vent
 13. CON-filter
 14. Achterste behuizing
 15. Drainageopening
- A.** Uitlaatpijp assemblage
B. Adapter – vensterafsluitplaat



IMPORTANT SAFEGUARDS

Please read these instructions carefully before using the appliance, and always follow the safety and operating instructions.

Please keep the guarantee certificate; the sales receipt; and if possible the gift box with the inner packaging.

Keep these instructions in a safe place for future reference.

Important: *This appliance can be used by children over 8 years old and people with reduced physical, sensory or mental capacities or with a lack of experience or knowledge if they have been given supervision or instructions concerning the safe use of the appliance and the risks involved. Children shall not play with the appliance. Cleaning and user maintenance shall not be made by children unless they are older than 8 years and supervised. Never leave the appliance and its cord unsupervised and within reach of children less than 8 years old or irresponsible persons, especially when it is plugged into the wall or when it is cooling down.*

- Only use this appliance for domestic purposes and in the way indicated in these instructions. Never use for any other purposes.
- Do not use the appliance outside and always place it in a dry environment.
- From time to time, check the cord. Never use the cord, the plug or the appliance when they show any sign of damage. The cord length of this product has been selected to reduce the possibility of being injured. Do not use your appliance with an extension cord unless it has been checked and tested by a qualified electrician (*) or electrical supplier.
- Keep the appliance away from hot sources and direct sunlight.
- Always switch off the appliance before unplugging it.
- Unplug the appliance before cleaning or changing any parts of the appliance or when it's not in use.
- Clean the appliance accord to manual.
- Make sure that the voltage rating on the type plate corresponds to your main voltage. Any error in connecting the appliance invalidates the guarantee.
- Prevent your children from this danger.
- Never leave the appliance unsupervised when in use. Switch off the appliance if you have to go away for even a short time.
- Never pull the cord to unplug or move the appliance.
- Never immerse the appliance in water or any other liquid for any reason.
- Keep the appliance away from water or oil splashes.
- Respect the instructions for cleaning.
- Do not insert sharp metallic objects or fingers in the air swinging fins of the appliance.
- Never repair the appliance yourself. All interventions made by a non-qualified person can be dangerous. As well any changing of the cord must be done by a qualified electrician(*).
- Never use accessories non-delivered by the supplier. This could be dangerous and could damage the appliance.

(*) Competent qualified electrician: after-sales department of the producer or importer or any person who is qualified, approved and competent to perform this kind of repairs in order to avoid all danger. In case of need you should return the appliance to this electrician.

The refrigerant used in mobile air conditioners is the environmentally friendly hydrocarbon R290. This refrigerant is odorless, and compared to the alternative refrigerant, the R290 is an ozone-free refrigerant, and its effect is very low.

Please read the instructions before use and repair.

The drawings provided in this manual may not be the same as the physical objects. Please refer to the physical objects.

Features and Components

1、Features

- *Brand new appearance, compact structure, smooth line, simple and generous shape.
 - *Functions of refrigeration, dehumidification, air supply and continuous drainage
 - *Outdoor interface is set high to facility assembly and keep the smooth flow of the heat pipe.
 - *LED displays the control panel, beautiful and fashionable, with high-quality remote control.It adopts a user-friendly remote control design.
 - *Air filtration capability.
 - *Timing switch function.
 - *Protection function of automatically restarting the compressor after three minutes, a variety of other protection functions.
- The Max operation temperature for the air conditioner Cooling: 35/24 °C; heating:20/12 °C; Temperature operation range: 7-35°C.

Attention Matters

Warning matters:

1. Do not use means to accelerate the defrosting process or to clean, other than those recommended by the manufacturer.
2. The appliance shall be stored in a room without continuously operating ignition sources (for example: open flames, an operating gas appliance or an operating electric heater.)
3. Do not pierce or burn.
4. Be aware that refrigerants may not contain an odour.
5. Appliance shall be installed, operated and stored in a room with a floor area larger than 7m².
6. Keep any required ventilation openings clear of obstruction;
7. Servicing shall be performed only as recommended by the manufacturer.
8. The appliance shall be stored in a well-ventilated area where the room size corresponds to the room area as specified for operation.
9. Any person who is involved with working on or breaking into a refrigerant circuit should hold a current valid certificate from an industry-accredited assessment authority, which authorises their competence to handle refrigerants safely in accordance with an industry recognised assessment specification.
10. Servicing shall only be performed as recommended by the equipment manufacturer. Maintenance and repair requiring the assistance of other skilled personnel shall be carried out under the supervision of the person competent in the use of flammable refrigerants.
11. All working procedure that affects safety means shall only be carried by competent persons.



Notes:

- *The air conditioning is only suitable for indoor use, and is not suitable for other applications.
- *Follow local grid interconnection rules while installing the air conditioning and ensure that it is properly grounded. If you have any question on electrical installation, follow the instructions of the manufacturer, and if necessary, ask a professional electrician to install it.
- *Place the machine in a flat and dry place and keep a distance of above 50cm between the machine and the surrounding objects or walls.
- *After the air conditioning is installed, ensure that the power plug is intact and firmly plugged into the power outlet, and place the power cord orderly to prevent someone from being tripped or pulling out the plug.
 - *Do not put any object into the air inlet and outlet of the air conditioning. Keep the air inlet and outlet free from obstructions.
- *When drainage pipes are installed, ensure that the drainage pipes are properly connected, and are not distorted or bended.

*While adjusting the upper and lower wind-guide strips of the air outlet, pluck it with hands gently to avoid damaging wind-guide strips.

*When moving the machine, make sure that it is in an upright position.

*The machine should stay away from gasoline, flammable gas, stoves and other heat sources.

*Don't disassemble, overhaul and modify the machine arbitrarily, otherwise it will cause a machine malfunction or even bring harm to persons and properties. To avoid danger, if a machine failure occurs, ask the manufacturer or professionals to repair it.

*Do not install and use the air conditioning in the bathroom or other humid environments.

* Do not pull the plug to turn off the machine.

*Do not place cups or other objects on the body to prevent water or other liquids from spilling into the air conditioning.

*Do not use insecticide sprays or other flammable substances near the air conditioning.

*Do not wipe or wash the air conditioning with chemical solvents such as gasoline and alcohol. When you need to clean the air conditioning, you must disconnect the power supply, and clean it with a half-wet soft cloth. If the machine is really dirty, scrub with a mild detergent.

* The appliance can be used by children aged from 8 years and above and persons with reduced physical, sensory or mental capabilities if they have been given supervision or instruction concerning use of the appliance in a safe way and understand the hazards involved. Children shall not play with the appliance. Cleaning and maintenance shall not be made by children without supervision.

If the supply cord is damaged, it must be replaced by the manufacturer, its service agent or similarly qualified persons in order to avoid a hazard.

The appliance shall be installed in accordance with national wiring regulations.

Do not operate your air conditioner in a wet room such as a bathroom or laundry room.

Transportation, marking and storage for units

1. Transport of equipment containing flammable refrigerants
Compliance with the transport regulations
2. Marking of equipment using signs
Compliance with local regulations
3. Disposal of equipment using flammable refrigerants
Compliance with national regulations
4. Storage of equipment/appliances
The storage of equipment should be in accordance with the manufacturer's instructions.
5. Storage of packed (unsold) equipment
Storage package protection should be constructed such that mechanical damage to the equipment inside the package will not cause a leak of the refrigerant charge.
6. The maximum number of pieces of equipment permitted to be stored together will be determined by local regulations.

Special recommendations:

- Install the portable air conditioner on a flat location with a large space, without obstacles. Leave a 50cm minimum space between the unit and the wall.
- The plug shall be always accessible after its installation.
- Always place the appliance in a vertical position, in order to maintain the compressor in good working condition.
- Do not use the appliance near gas or other inflammable liquids.
- Do not block the air outlet and inlet ventilation.
- Do not use spray (insecticides, painting) or any other inflammable products near the appliance as the plastic case may be deformed. The unit may sustain electrical damage.

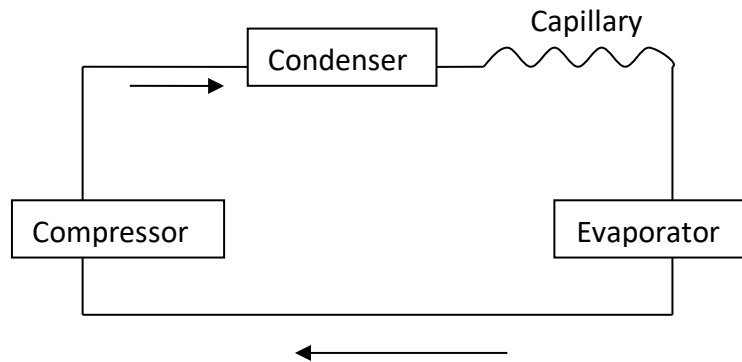
Power sources

- The plug has to be well fixed and should not be damaged.
- Do not plug in the appliance with an adaptor.
- Plug into the wall socket before switching on the appliance then press on the POWER button.

**THE MANUFACTURER WILL NOT ASSUME ANY RESPONSIBILITY IN CASE OF NON ADHERENCE TO THESE INSTRUCTIONS.
KEEP THIS USER MANUAL CAREFULLY.**

Appendix

Fuse Parameters
Type: 5ET or SMT
Voltage: 250V
Current: 3.15A
Schematic Diagram



All the technical and specific parameters, please refer to product nameplate.

Due to continuous improvement, we reserve the right to change some design without any notice.

INSTALLATION

Installation

Install the body

Move the machine with installed heat pipe and fittings before the window body and walls or other objects shall be least 50 cm (as shown in Fig. 1).

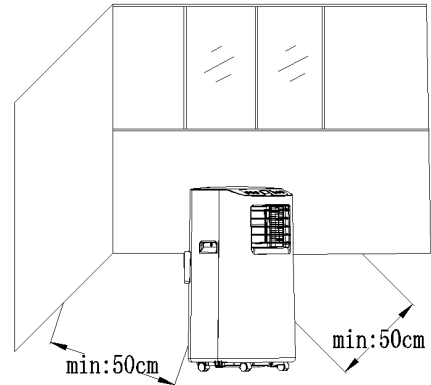
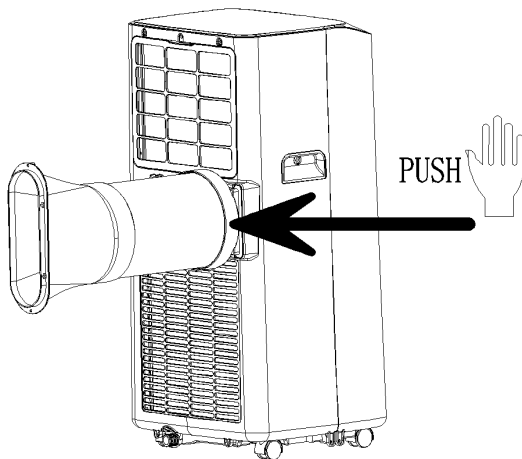


Fig. 1

Warning: before using the mobile air conditioning, keep it upright for at least two hours.

The air conditioning can be easily moved in the room. In the moving process, ensure that the air conditioning is in the upright position and the air conditioning should be placed on a flat surface. Do not install and use the air conditioning in the bathroom or other humid environments.

1.1 Install the heat pipe assembly (as shown in Fig.1)



- take out the outer connector assembly and the exhaust pipe assembly, and remove the plastic bags;
- insert the heat pipe assembly (the end of the exhaust joint) into the back panel vent slot (push to the left) and complete the assembly (as shown in figure 2).

Installation of window sealing plate components

- Half open the window and mount the window sealing plate assembly to the window (as shown in Fig. 3 and Fig. 4). Components can be placed in horizontal and vertical direction.
- Pull various components of the window sealing plate assembly open, adjust their opening distance to bring both ends of the assembly into contact with the window frame, and fix various components of the assembly.

Install the window sealing plate assembly

Notes:

- the flat end of the exhaust pipe joints must be snapped into place.

- 2) The pipe cannot be distorted nor has substantial turning (greater than 45 °). Keep the ventilation of the exhaust pipe not blocked.

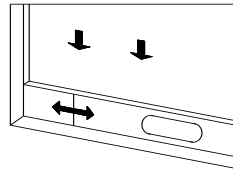


fig.2

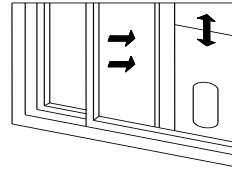


fig.3

Elongate the exhaust pipe and snap the flat end of the exhaust pipe joints into the hole of the window sealing plate assembly (as shown in Fig. 5 and Fig. 6).

Notes:

1. The flat end of the exhaust pipe joints must be snapped into place.
2. The pipe cannot be distorted nor has substantial turning (greater than 45 °). Keep the ventilation of the exhaust pipe not blocked.

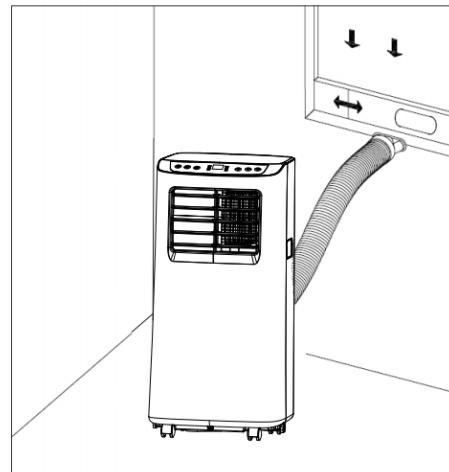
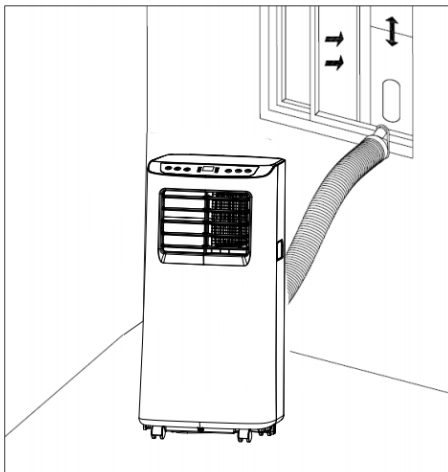


Fig.5 i 6

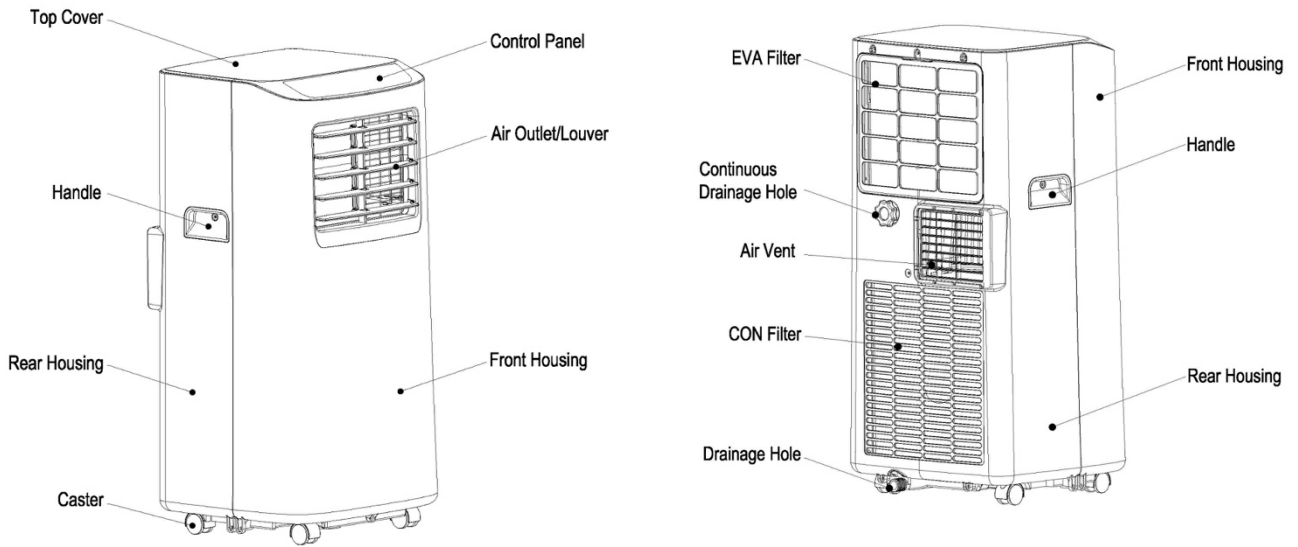
Important Notice:

The length of the exhaust hose shall be 280~1,500mm, and this length is based on the specifications of the air conditioning. Do not use extension tubes or replace it with other different hoses, or this may cause a malfunction. Exhaust host must be not blocked; otherwise it may cause overheating.

Important Notice:

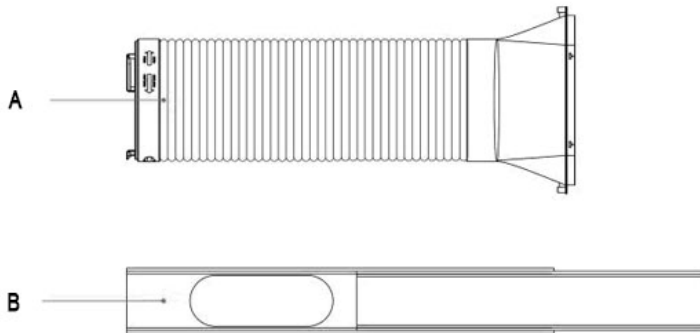
The length of the exhaust hose shall be 280~1,500mm, and this length is based on the specifications of the air conditioning. Do not use extension tubes or replace it with other different hoses, or this may cause a malfunction. Exhaust host must be not blocked; otherwise it may cause overheating.

COMPONENTS



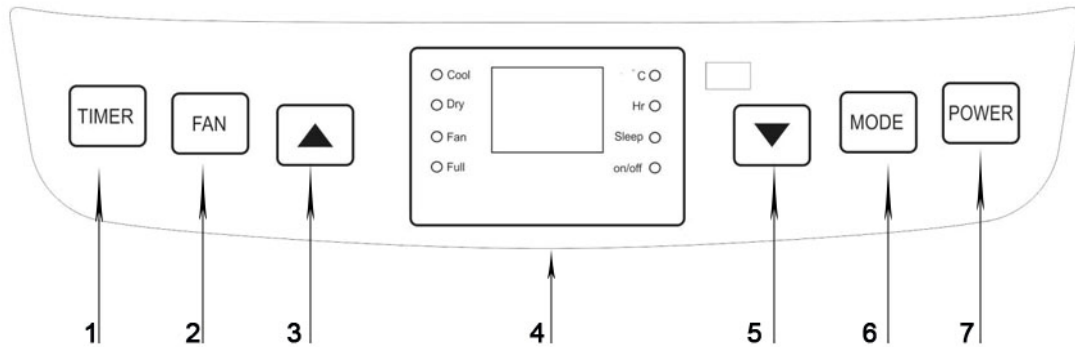
Check all the accessories included in the package and please refer to the installation instructions for their usage.

ACCESORIES



1. Exhaust pipe assembly
2. Adapter - window sealing plate assembly

CONTROL PANEL



1. Timer Key
2. Fan Speed Selection Key
3. Up Key
4. Display Window
5. Down Key
6. Mode Selection Key
7. Power Key

1: When the machine is powered on for the first time, the buzzer will play power-on music, and then the machine will get into standby status.

2: Power Key: press the key to turn on and turn off the machine. In the case of power on, press the key to turn off the machine; in the case of power off, press the key to turn on the machine.

3: Mode Selection Key: In the case of power on, press the key to switch between cooling → fan → dehumidifying mode.

4: Up Key and Down Key: press the two keys to change the setting temperature or setting time, operate as follows:

While setting temperature, press up key or down key to select the required temperature (not available in fan or dehumidifying mode).

While setting time, press up key or down key to select the required time.

5: Wind Speed Selection Key:

1) In cooling and fan mode, press the key to select high, low wind speed operation. But limited by anti-cold conditions, under certain conditions, it may not run according to the set wind speed.

2) In dehumidifying mode, pressing the key is invalid, and the fan will forcibly choose low wind speed operation.

6: Timing Key:

In the case of power on, press the key to close timing; in the case of power off, press the key to open timing.

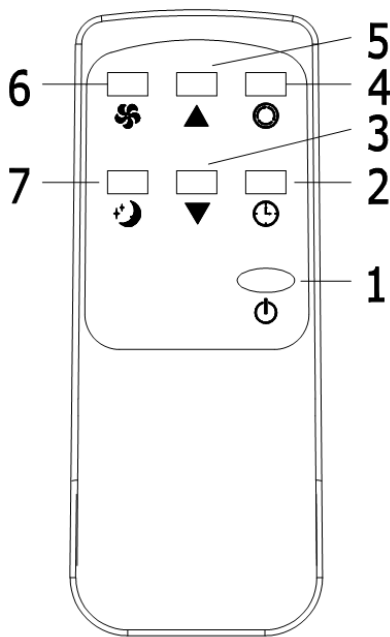
Press the key, when the timing symbol flashes, press up and down key to select the required timing value.

Timing values can be set in 1-24 hours and the timing value is adjusted up or down by one hour.








7: Sleep Mode:

In the cooling Mode, Press the UP and Fan Key to turn on the sleep mode, then the unit will work on Energy-Saving and quiet type.

REMOTE CONTROL



Instructions of key operation of the high-quality remote control are as follows:

1. Power: Press  the key to turn on or turn off the machine.
2. Timer: press  the key to set timing.
3. Down: press  the key to reduce temperature and timing set value.
4. Mode: press  the key to switch between cooling, fan, dehumidifying mode.
5. Up: press  the key to increase temperature and timing set value.
6. Fan: press  the key to select high, low wind speed.
7. Sleep Mode: Press  the key to turn on the sleep mode.

PROTECTION FUNCTION

1. Frost Protection Function:

In cooling, dehumidifying or economic power saving mode, if the temperature of the exhaust pipe is too low, the machine will automatically enter protection status; if the temperature of the exhaust pipe rises to a certain temperature, it can automatically revert to normal operation.

2. Overflow Protection Function:

When water in the water pan exceeds the warning level, the machine will automatically sound an alarm, and the "FULL" indicator light will flash. At this point, you need to move the drainage pipe connecting the machine or the water outlet to sewer or other drainage area to empty the water (details see *Drainage Instructions* at the end of this chapter). After the water is emptied, the machine will automatically return to the original state.

3. Automatic Defrosting (cooling models have this function):

The machine has automatic defrosting function. Defrosting can be achieved through four - way valve reversing.

4. Protection Function of the Compressor

To increase the service life of the compressor, it has a 3-minute delay booting protection function after the compressor is turned off.

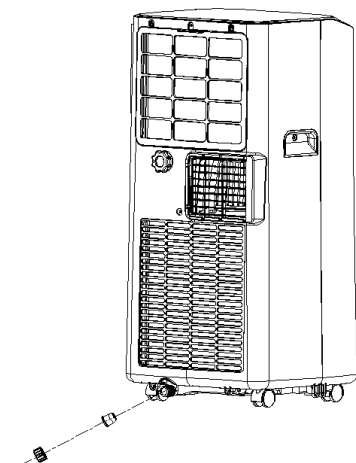
DRENAGE

Drainage Instructions

This machine has two drainage methods: manual drainage and continuous drainage.

A. Manual drainage:

- 1) When the machine stops after the water is full, turn off the machine power and unplug the power plug.
Notes: Please move the machine carefully, so as not to spill the water in the water pan at the bottom of the body.
- 2) Place the water container below the side water outlet behind the body.
- 3) Unscrew the drainage cover and unplug the water plug, the water will automatically flow into the water container.



Notes:

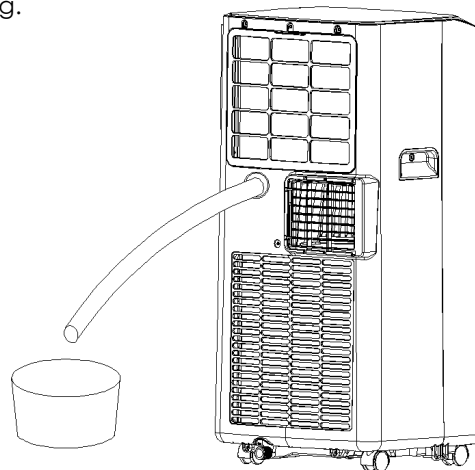
Keep the drainage cover and the water plug properly.

During drainage, the body can be tilted slightly backwards.

If the water container cannot hold all the water, before the water container is full, stuff the water outlet with the water plug as soon as possible to prevent water from flowing to the floor or the carpet. When the water is discharged, stuff the water plug, and tighten the drainage cover

B. Continuous drainage (Optional) (only applicable to dehumidifying mode), as shown in figure:

- 1) Unscrew the drainage cover, and unplug the water plug.
- 2) Set the drainage pipe into the water outlet.
- 3) Connect the drainage pipe to the bucket.

**MAINTENANCE**

Note: Turn off the unit and unplug it before any maintenance or repair begins to avoid electric shock.

Cleaning

- Clean the housing with a soft moisture cloth. Do not use chemical solvent (such as benzene, alcohol, gasoline). The surface may be damaged or even the whole case may be deformed.
- Do not sprinkle water on the unit.

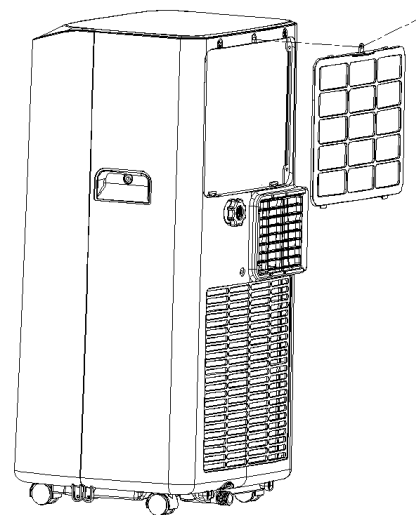
Clean the filter screen

If the filter screen is clogged with dust, and the effectiveness of the air conditioning is reduced, be sure to clean the filter screen once every two weeks

Clean the upper filter screen frame

Unscrew one screw fixed by EVA filter net and back shell with screwdriver, and take out EVA filter net.

Put the EVA filter screen into warm water with neutral detergent (about 40°C / 104°F) and dry it in the shade after rinsing clean.



Note: Don't run the machine without filters.

End of season – unit storage

If the machine will be unused for a long time, please do as following:

- Please drain the water. Unscrew the drainage cover, unplug the water plug, and discharge the water in the water pan into other water containers or directly tilt the body to discharge the water into other containers.
- Keep the unit running in Fan mode for 2 hours until the inside of the unit is dry.
- Turn off the unit and unplug it. Wrap the power cord around the wrapping post; install the water plug and the drainage cover.
- Clean the air filter and after dry it thoroughly, reinstall it.
- Remove the exhaust pipes and keep them carefully.
- Wrap the unit with the plastic bag and keep it in a dry place.
- Remove batteries of the remote control and keep them properly.

Note: ensure that the body is placed in a dry place and keep all machine components properly.

TROUBLESHOOTING**1. Information on servicing**

1) Checks to the area

Prior to beginning work on systems containing flammable refrigerants, safety checks are

necessary to ensure that the risk of ignition is minimised. For repair to the refrigerating system, the following precautions shall be complied with prior to conducting work on the system.

2) Work procedure

Work shall be undertaken under a controlled procedure so as to minimise the risk of a flammable gas or vapour being present while the work is being performed.

3) General work area

All maintenance staff and others working in the local area shall be instructed on the nature of work being carried out. Work in confined spaces shall be avoided. The area around the workspace shall be sectioned off. Ensure that the conditions within the area have been made safe by control of flammable material.

4) Checking for presence of refrigerant

The area shall be checked with an appropriate refrigerant detector prior to and during work, to ensure the technician is aware of potentially flammable atmospheres. Ensure that the leak detection equipment being used is suitable for use with flammable refrigerants, i.e. non-sparking, adequately sealed or intrinsically safe.

5) Presence of fire extinguisher

If any hot work is to be conducted on the refrigeration equipment or any associated parts, appropriate fire extinguishing equipment shall be available to hand. Have a dry powder or CO₂ fire extinguisher adjacent to the charging area.

6) No ignition sources

No person carrying out work in relation to a refrigeration system which involves exposing any pipe work that contains or has contained flammable refrigerant shall use any sources of ignition in such a manner that it may lead to the risk of fire or explosion. All possible ignition sources, including cigarette smoking, should be kept sufficiently far away from the site of installation, repairing, removing and disposal, during which flammable refrigerant can possibly be released to the surrounding space. Prior to work taking place, the area around the equipment is to be surveyed to make sure that there are no flammable hazards or ignition risks. "No Smoking" signs shall be displayed.

7) Ventilated area

Ensure that the area is in the open or that it is adequately ventilated before breaking into the system or conducting any hot work. A degree of ventilation shall continue during the period that the work is carried out. The ventilation should safely disperse any released refrigerant and preferably expel it externally into the atmosphere.

8) Checks to the refrigeration equipment

Where electrical components are being changed, they shall be fit for the purpose and to the correct specification. At all times the manufacturer's maintenance and service guidelines shall be followed. If in doubt consult the manufacturer's technical department for assistance.

The following checks shall be applied to installations using flammable refrigerants:

- The charge size is in accordance with the room size within which the refrigerant containing parts are installed;
- The ventilation machinery and outlets are operating adequately and are not obstructed;
- If an indirect refrigerating circuit is being used, the secondary circuit shall be checked for the presence of refrigerant;
- Marking to the equipment continues to be visible and legible. Markings and signs that are illegible shall be corrected;
- Refrigeration pipe or components are installed in a position where they are unlikely to be exposed to any substance which may corrode refrigerant containing components, unless the components are constructed of materials which are inherently resistant to being corroded or are suitably protected against being so corroded.

9) Checks to electrical devices

Repair and maintenance to electrical components shall include initial safety checks and component inspection procedures. If a fault exists that could compromise safety, then no electrical supply shall be connected to the circuit until it is satisfactorily dealt with. If the fault cannot be corrected immediately but it is necessary to continue operation, an adequate temporary solution shall be used. This shall be reported to the owner of the equipment so all parties are advised.

Initial safety checks shall include:

- That capacitors are discharged: this shall be done in a safe manner to avoid possibility of sparking;
- That there no live electrical components and wiring are exposed while charging, recovering or purging the system;
- That there is continuity of earth bonding.

2. Repairs to sealed components

1) During repairs to sealed components, all electrical supplies shall be disconnected from the equipment being worked upon prior to any removal of sealed covers, etc. If it is absolutely necessary to have an electrical supply to equipment during servicing, then a permanently operating form of leak detection shall be located at the most critical point to warn of a potentially hazardous situation.

2) Particular attention shall be paid to the following to ensure that by working on electrical components, the casing is not altered in such a way that the level of protection is affected. This shall include damage to cables, excessive number of connections, terminals not made to original specification, damage to seals, incorrect fitting of glands, etc.

Ensure that apparatus is mounted securely.

Ensure that seals or sealing materials have not degraded such that they no longer serve the purpose of preventing the ingress of flammable atmospheres. Replacement parts shall be in accordance with the manufacturer's specifications.

NOTE: The use of silicon sealant may inhibit the effectiveness of some types of leak detection equipment. Intrinsically safe components do not have to be isolated prior to working on them.

3. Repair to intrinsically safe components

Do not apply any permanent inductive or capacitance loads to the circuit without ensuring that this will not exceed the permissible voltage and current permitted for the equipment in use.

Intrinsically safe components are the only types that can be worked on while live in the presence of a flammable atmosphere. The test apparatus shall be at the correct rating. Replace components only with parts specified by the manufacturer. Other parts may result in the ignition of refrigerant in the atmosphere from a leak.

4. Cabling

Check that cabling will not be subject to wear, corrosion, excessive pressure, vibration, sharp edges or any other adverse environmental effects. The check shall also take into account the effects of aging or continual vibration from sources such as compressors or fans.

5. Detection of flammable refrigerants

Under no circumstances shall potential sources of ignition be used in the searching for or detection of refrigerant leaks. A halide torch (or any other detector using a naked flame) shall not be used.

6. Leak detection methods

The following leak detection methods are deemed acceptable for systems containing flammable refrigerants.

Electronic leak detectors shall be used to detect flammable refrigerants, but the sensitivity may not be adequate, or may need re-calibration. (Detection equipment shall be calibrated in a refrigerant-free area.) Ensure that the detector is not a potential source of ignition and is suitable for the refrigerant used. Leak detection equipment shall be set at a percentage of the LFL of the refrigerant and shall be calibrated to the refrigerant employed and the appropriate percentage of gas (25 % maximum) is confirmed.

Leak detection fluids are suitable for use with most refrigerants but the use of detergents containing chlorine shall be avoided as the chlorine may react with the refrigerant and corrode the copper pipe-work.

If a leak is suspected, all naked flames shall be removed/ extinguished.

If a leakage of refrigerant is found which requires brazing, all of the refrigerant shall be recovered from the system, or isolated (by means of shut off valves) in a part of the system remote from the leak. Oxygen free nitrogen (OFN) shall then be purged through the system both before and during the brazing process.

7. Removal and evacuation

When breaking into the refrigerant circuit to make repairs – or for any other purpose – conventional procedures shall be used. However, it is important that best practice is followed since flammability is a consideration. The following procedure shall be adhered to:

- Remove refrigerant;
- Purge the circuit with inert gas;
- Evacuate;
- Purge again with inert gas;
- Open the circuit by cutting or brazing.

The refrigerant charge shall be recovered into the correct recovery cylinders. The system

shall be "flushed" with OFN to render the unit safe. This process may need to be repeated several times. Compressed air or oxygen shall not be used for this task. Flushing shall be achieved by breaking the vacuum in the system with OFN and continuing to fill until the working pressure is achieved, then venting to atmosphere, and finally pulling down to a vacuum. This process shall be repeated until no refrigerant is within the system. When the final OFN charge is used, the system shall be vented down to atmospheric pressure to enable work to take place. This operation is absolutely vital if brazing operations on the pipe-work are to take place. Ensure that the outlet for the vacuum pump is not close to any ignition sources and there is ventilation available.

8. Charging procedures

In addition to conventional charging procedures, the following requirements shall be followed.

- Ensure that contamination of different refrigerants does not occur when using charging equipment. Hoses or lines shall be as short as possible to minimise the amount of refrigerant contained in them.
 - Cylinders shall be kept upright.
 - Ensure that the refrigeration system is earthed prior to charging the system with refrigerant.
 - Label the system when charging is complete (if not already).
 - Extreme care shall be taken not to overfill the refrigeration system.
- Prior to recharging the system it shall be pressure tested with OFN. The system shall be leak tested on completion of charging but prior to commissioning. A follow up leak test shall be carried out prior to leaving the site.

9. Decommissioning

Before carrying out this procedure, it is essential that the technician is completely familiar with the equipment and all its detail. It is recommended good practice that all refrigerants are recovered safely. Prior to the task being carried out, an oil and refrigerant sample shall be taken in case analysis is required prior to re-use of reclaimed refrigerant. It is essential that electrical power is available before the task is commenced.

- a) Become familiar with the equipment and its operation.
- b) Isolate system electrically.
- c) Before attempting the procedure ensure that:
 - Mechanical handling equipment is available, if required, for handling refrigerant cylinders;
 - All personal protective equipment is available and being used correctly;
 - The recovery process is supervised at all times by a competent person;
 - Recovery equipment and cylinders conform to the appropriate standards.
- d) Pump down refrigerant system, if possible.
- e) If a vacuum is not possible, make a manifold so that refrigerant can be removed from various parts of the system.
- f) Make sure that cylinder is situated on the scales before recovery takes place.
- g) Start the recovery machine and operate in accordance with manufacturer's instructions.
- h) Do not overfill cylinders. (No more than 80 % volume liquid charge).
- i) Do not exceed the maximum working pressure of the cylinder, even temporarily.
- j) When the cylinders have been filled correctly and the process completed, make sure that the cylinders and the equipment are removed from site promptly and all isolation valves on the equipment are closed off.
- k) Recovered refrigerant shall not be charged into another refrigeration system unless it has been cleaned and checked.

10. Labelling

Equipment shall be labelled stating that it has been de-commissioned and emptied of refrigerant. The label shall be dated and signed. Ensure that there are labels on the equipment stating the equipment contains flammable refrigerant.

11. Recovery

When removing refrigerant from a system, either for servicing or decommissioning, it is recommended good practice that all refrigerants are removed safely. When transferring refrigerant into cylinders, ensure that only appropriate refrigerant recovery cylinders are employed. Ensure that the correct number of cylinders for holding the total system charge is available. All cylinders to be used are designated for the recovered refrigerant and labelled for that refrigerant (i.e. special cylinders for the

recovery of refrigerant). Cylinders shall be complete with pressure relief valve and associated shut-off valves in good working order. Empty recovery cylinders are evacuated and, if possible, cooled before recovery occurs.

The recovery equipment shall be in good working order with a set of instructions concerning the equipment that is at hand and shall be suitable for the recovery of flammable refrigerants. In addition, a set of calibrated weighing scales shall be available and in good working order. Hoses shall be complete with leak-free disconnect couplings and in good condition. Before using the recovery machine, check that it is in satisfactory working order, has been properly maintained and that any associated electrical components are sealed to prevent ignition in the event of a refrigerant release. Consult manufacturer if in doubt.

The recovered refrigerant shall be returned to the refrigerant supplier in the correct recovery cylinder, and the relevant Waste Transfer Note arranged. Do not mix refrigerants in recovery units and especially not in cylinders.

If compressors or compressor oils are to be removed, ensure that they have been evacuated to an acceptable level to make certain that flammable refrigerant does not remain within the lubricant. The evacuation process shall be carried out prior to returning the compressor to the suppliers. Only electric heating to the compressor body shall be employed to accelerate this process. When oil is drained from a system, it shall be carried out safely.

TROUBLE SHOOTING

Before contacting professional service, check it first yourself referring to the followings:

Problems	Reasons	Solutions
The air conditioning does not work	There is no electricity.	Turn it on after connecting it to a socket with electricity.
	The overflow indicator displays "FL".	Discharge the water inside.
	The ambient temperature is too low or too high	Recommend to use the machine in at the temperature of 7-35°C (44-95°F).
	In cooling mode, the room temperature is lower than the set temperature; in heating mode, the room temperature is higher than the set temperature.	Change the set temperature.
	In dehumidification mode, the ambient temperature is low.	The machine is placed in a room with an ambient temperature of greater than 17°C (62°F).
The cooling or heating effect is not good	There is direct sunlight.	Pull the Curtain.
	Doors or windows are open; there are a lot of people; or in cooling mode, there are other sources of heat.	Close doors and windows, and add new air conditioning.
	The filter screen is dirty.	Clean or replace the filter screen.
	The air inlet or outlet is blocked.	Clear obstructions.
Big Noise	The air conditioning is not placed on a flat surface.	Put the air conditioning on a flat and hard place (to reduce noise).
Compressor does not work.	Overheat protection starts.	Wait for 3 minutes until the temperature is lowered, and then restart the machine.
The remote control does not work	The distance between the machine and the remote control is too far.	Let the remote control get close to the air conditioning, and make sure that the remote control
	The remote control is not aligned	

	with the direction of the remote control receiver.	directly faces to the direction of the remote control receiver.
	Batteries are dead.	Replace batteries.
Displays 'E1'.	The room temperature sensor is abnormal.	Check the room temperature sensor and related circuitry.
Displays 'E2'	The pipe temperature sensor is abnormal.	Check the pipe temperature sensor and related circuitry.




Cautions: Switch off the unit and unplug it immediately if anything abnormal happens. Then contact a qualified electrician.

PROTECTION OF THE ENVIRONMENT – DIRECTIVE 2002/96/EC

In order to preserve our environment and protect human health, the waste electrical and electronic equipment should be disposed of in accordance with specific rules with the implication of both suppliers and users. For this reason, as



indicated by the symbol  on the rating label or on the packaging, your appliance should not be disposed of as unsorted municipal waste. The user has the right to bring it to a municipal collection point performing waste recovery by means of reuse, recycling or use for other applications in accordance with the directive.

ZASADY BEZPIECZNEGO UŻYTKOWANIA

Zanim zaczniesz używać urządzenie przeczytaj uważnie instrukcję i postępuj wyłącznie zgodnie z jej wskazaniem.

Ważne: Urządzenie może być użytkowane przez dzieci w wieku 8 lat i więcej oraz osoby z ograniczonymi zdolnościami fizycznymi, czuciowymi lub umysłowymi, albo osoby nie mające doświadczenia i znajomości sprzętu, jeśli zastosowano nad nimi nadzór lub udzielono im instrukcji dotyczących bezpiecznego użytkowania urządzenia i związanych z tym niebezpieczeństw. Dzieci nie powinny bawić się tym urządzeniem. Czyszczenie i konserwacja przez użytkownika nie powinny być wykonywane przez dzieci, chyba że mają one więcej niż 8 lat i są pod nadzorem. Nie zostawiaj włączonego urządzenia wraz z przewodem bez nadzoru, trzymaj z dala od dzieci poniżej 8 roku życia i osób niepowołanych zwłaszcza kiedy jest podłączone do sieci lub się chłodzi.

- ❑ Zgodnie ze wskazaniem niniejszej instrukcji urządzenie służy wyłącznie do użytku domowego.
- ❑ Nigdy nie używaj urządzenia na zewnątrz. Umieszczaj je zawsze w suchym miejscu.
- ❑ Regularnie sprawdzaj czy kabel zasilający nie jest uszkodzony. Nie używaj urządzenia z uszkodzonym kablem zasilającym. Wszelkie naprawy powinny być dokonane przez wykwalifikowanego elektryka(*). Jeżeli przewód jest uszkodzony, musi zostać zastąpiona przez wykwalifikowanego elektryka(*) w celu uniknięcia niebezpieczeństwa.
- ❑ Nie używaj w pobliżu źródeł ciepła i w miejscach bezpośredniego nasłonecznienia.
- ❑ Upewnij się, że urządzenie jest wyłączone (włącznik w pozycji "0") przed odłączeniem go z prądu.
- ❑ Przed czyszczeniem, wymianą części lub jeżeli z niego nie korzystasz wyłącz urządzenie z sieci.
- ❑ Czyść urządzenie zgodnie z instrukcją (patrz podpunkt Czyszczenie).
- ❑ Zanim włączysz urządzenie do kontaktu sprawdź czy napięcie sieciowe zgadza się z parametrami podanymi na tabliczce znamionowej urządzenia.
- ❑ Chroń dzieci przed niebezpieczeństwem.
- ❑ Nigdy nie zostawiaj włączonego urządzenia, bez nadzoru. Nie pozostawiaj urządzenia włączonego przez długi czas podczas twojej nieobecności. Upewnij się, że jest wyłączone zanim wyjdiesz.
- ❑ Nigdy nie przesuwaj urządzenia ciągnąc za kabel. Upewnij się, by kabel w żaden sposób nie utknął. Nigdy nie owijaj kabla wokół urządzenia ani nie zginaj kabla.
- ❑ Nie zanurzaj urządzenia w wodzie ani innych płynach.
- ❑ Chroń urządzenie przed wodą i pryskającym olejem.
- ❑ Przestrzegaj instrukcji konserwacji i czyszczenia.
- ❑ Nie wtykaj palców, ołówków ani żadnych innych przedmiotów w osłonę zabezpieczającą.
- ❑ Nigdy nie naprawiaj urządzenia sam. Wszelkie naprawy powinny być dokonane przez wykwalifikowanego elektryka(*)
- ❑ Nigdy nie używaj części, które nie są rekomendowane przez producenta. Stanowią one mogą niebezpieczeństwo dla użytkownika lub mogą uszkodzić urządzenie.

(*) Wykwalifikowany elektryk: Osoba wskazana przez dział sprzedaży producenta lub importera lub każda osoba posiadająca niezbędne kwalifikacje umożliwiające dokonywanie tego typu napraw bez stwarzania zagrożenia. W każdym przypadku urządzenie należy przekazywać tym osobom.

Czynnikiem chłodzącym używanym w mobilnych klimatyzatorach jest przyjazny dla środowiska węglowodór R290. Jest on bezwonny, a w porównaniu z alternatywnym czynnikiem chłodzącym, jest wolny od ozonu, a jego oddziaływanie na środowisko jest bardzo małe.

Przeczytaj instrukcję przed użyciem i naprawą.

Rysunki przedstawione w tej instrukcji mogą nie być takie same jak obiekty fizyczne. Proszę odnieść się do obiektów fizycznych.

O produkcie:

- * Zupełnie nowy wygląd, zwarta budowa, gładka linia, prosty i elegancki kształt.
 - * Funkcje chłodzenia, osuszania, doprowadzania powietrza i ciągłego odwadniania
 - * Element zewnętrzny jest zamontowany wysoko aby zapewnić swobodny przepływ powietrza przez rurę.
- * Ładny, nowoczesny wyświetlacz LED panelu sterowania, współdziałający z wysokiej jakości pilotem. Pilot wygodny, przyjazny dla użytkownika.
- * Możliwość filtrowania powietrza.
 - * Funkcja przełącznika czasowego.
 - * Funkcja ochrony automatycznego ponownego uruchomienia kompresora po trzech minutach, szereg innych funkcji zabezpieczających.
- Maksymalna temperatura pracy klimatyzatora:
Chłodzenie: 35/24 °C;
Temperatury: zakres działania: 7-35 °C.

ŚRODKI BEZPIECZEŃSTWA

Ważne ostrzeżenia

1. Nie używaj innych niż zalecane przez producenta środków, aby przyspieszyć proces rozmrażania lub do czyszczenia.
2. Urządzenie należy przechowywać w pomieszczeniu, w którym nie działają ciągle źródła zapłonu (na przykład: otwarty ogień, działające urządzenie gazowe lub działający grzejnik elektryczny)
3. Nie przekłuwaj ani nie pal.
4. Pamiętaj, że czynniki chłodzące mogą być bezwonne.
5. Urządzenie powinno być zainstalowane, obsługiwane i przechowywane w pomieszczeniu o powierzchni podłogi większej niż 7m².
6. Wszystkie wymagane otwory wentylacyjne należy utrzymywać wolne od przeszkód, drożne.
7. Konserwację należy wykonywać wyłącznie zgodnie z zaleceniami producenta.
8. Urządzenie należy przechowywać w dobrze wentylowanym pomieszczeniu, o wielkości określonej dla działania urządzenia.
9. Każda osoba zaangażowana w pracę przy obwodzie czynnika chłodzącego, zwłaszcza gdy go rozszczelnia, powinna posiadać aktualny certyfikat wydany przez akredytowany przez branżę organ oceniający, który potwierdza jej kompetencje do bezpiecznego obchodzenia się z czynnikami chłodzącymi zgodnie z uznaną w branży specyfikacją oceny.
10. Konserwację należy wykonywać wyłącznie zgodnie z zaleceniami producenta urządzenia. Konserwacja i naprawy wymagające pomocy innych wykwalifikowanych pracowników mogą być wykonywane wyłącznie pod nadzorem osoby odpowiedzialnej za używanie łatwopalnych czynników chłodzących.
11. Wszystkie procedury robocze, które wpływają na środki bezpieczeństwa, mogą być prowadzone wyłącznie przez kompetentne osoby.



Uwagi:

- * Klimatyzator nadaje się tylko do użytku w pomieszczeniach i nie nadaje się do innych zastosowań.
- * Przestrzegaj lokalnych przepisów dotyczących wzajemnych połączeń sieci podczas instalacji klimatyzacji i upewnij się, że jest prawidłowo uziemiona. Jeśli masz jakiegokolwiek pytania dotyczące instalacji elektrycznej, postępuj zgodnie z instrukcjami producenta, a w razie potrzeby poproś o pomoc profesjonalnego elektryka.
- * Po zainstalowaniu klimatyzacji upewnij się, że wtyczka zasilania jest w stanie nienaruszonym i solidnie podłączona do gniazdko sieciowego, a przewód zasilający ułożony w prawidłowy sposób, aby zapobiec potknięciu się kogoś lub wyciągnięciu wtyczki.
- * Gdy zainstalowane są rury drenażowe, należy upewnić się, że są one prawidłowo połączone i nie są zniekształcone lub wygięte.
- * Podczas regulacji żaluzji wylotu powietrza, rób to delikatnie dłońmi, aby uniknąć uszkodzenia elementów wylotu powietrza.
- * Podczas przenoszenia urządzenia upewnij się, że znajduje się ono w pozycji pionowej.
- * Nie wolno demontować, przerabiać i modyfikować urządzenia w dowolny sposób, gdyż może to spowodować awarię urządzenia, a nawet wyrządzić szkody osobom i otoczeniu. Aby uniknąć niebezpieczeństwa, jeśli wystąpi awaria urządzenia, poproś o naprawę producenta lub specjalistów.

- * Nie instaluj i nie używaj klimatyzacji w łazience, pralni lub w innych wilgotnych miejscach.
- * Nie umieszczaj kubków ani innych przedmiotów na obudowie urządzenia, aby woda lub inne płyny nie dostały się do klimatyzacji.
- * Nie należy czyścić ani myć klimatyzacji rozpuszczalnikami chemicznymi, takimi jak benzyna i alkohol. Kiedy trzeba wyczyścić klimatyzację, należy odłączyć zasilanie i wyczyścić wilgotną miękką ściereczką. Jeśli maszyna jest naprawdę brudna, należy wyczyścić ją łagodnym deterгентem.

Transport, znakowanie i składowanie urządzeń

1. Transport urządzeń zawierających łatwopalne czynniki chłodnicze
Zgodność z przepisami transportowymi
2. Oznakowanie urządzenia za pomocą znaków
Zgodność z lokalnymi przepisami
3. Utylizacja sprzętu z zawartością łatwopalnych czynników chłodniczych
Zgodność z przepisami krajowymi
4. Przechowywanie sprzętu / urządzeń
Przechowywanie sprzętu powinno odbywać się zgodnie z instrukcjami producenta.
5. Przechowywanie spakowanego (niesprzedanego) sprzętu
Zabezpieczenie paczki magazynowej powinno być skonstruowane w taki sposób, aby nie uszkodzić mechanicznie wyposażenia wewnątrz opakowania i nie spowodować wycieku czynnika chłodniczego.
6. Maksymalna liczba elementów wyposażenia, które mogą być przechowywane razem, będzie równa: określona przez lokalne przepisy.

SZCZEGÓLNE ZALECENIA:

- Zainstaluj urządzenie na powierzchni płaskiej, wolnej od innych przedmiotów. Jednostka musi znajdować się przynajmniej 50cm od ściany.
- Po instalacji urządzenia wtyczka zasilająca musi być łatwo dostępna.
- Zawsze ustawiaj klimatyzator w pozycji pionowej, aby sprężarka cały czas działała poprawnie.
- Nigdy nie korzystaj z urządzenia, jeżeli znajduje się ono blisko gazu lub innych łatwopalnych płynów.
- Nie zasłaniaj otworów wlotowych i wylotowych powietrza.
- Nigdy nie używaj sprayów (środków owadobójczych, farb) lub innych produktów łatwopalnych w pobliżu urządzenia, gdyż może to spowodować deformację obudowy. Uszkodzeniu mogą ulec również części elektroniki urządzenia.

ŹRÓDŁA ZASILANIA

- Wtyczka zasilająca musi być dobrze podłączona i nieuszkodzona.
- Nigdy nie podłączaj urządzenia do źródła zasilania przy pomocy rozgałęziacza.
- Podłącz najpierw urządzenie do źródła zasilania, a następnie włącz je naciskając przycisk POWER.

JEŻELI NIE BĘDĄ STOSOWANE POWYŻSZE ZASADY BEZPIECZEŃSTWA PRODUCENT NIE BĘDZIE ODPOWIADAŁ ZA ŻADNE USZKODZENIA URZĄDZENIA ORAZ URAZY UŻYTKOWNIKÓW.

PRZECHOWUJ NINIEJSZĄ INSTRUKCJĘ OBSŁUGI W BEZPIECZNYM MIEJSCU, ABY UŻYWAĆ JEJ W RAZIE POTRZEBY W PRZYSZŁOŚCI

Parametry bezpiecznika

Type: 5ET or SMT

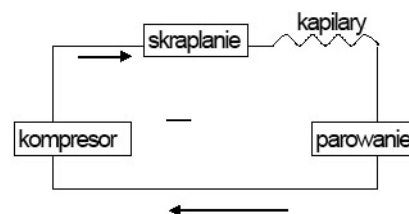
Napięcie: 250V

Natężenie: 3.15A

Schemat Diagram

Wszystkie parametry techniczne znajdują się na tabliczce znamionowej produktu.

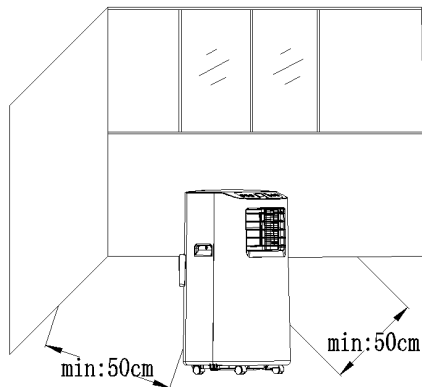
W związku z ciągłym ulepszaniem, zastrzegamy sobie prawo do zmiany niektórych projektów bez powiadomienia.



INSTALACJA

Wybór miejsca instalacji

Umieść jednostkę na płaskiej i suchej powierzchni.
Pozostaw przynajmniej 50cm wolnej przestrzeni wokół jednostki.



Rys. 1

Instalacja

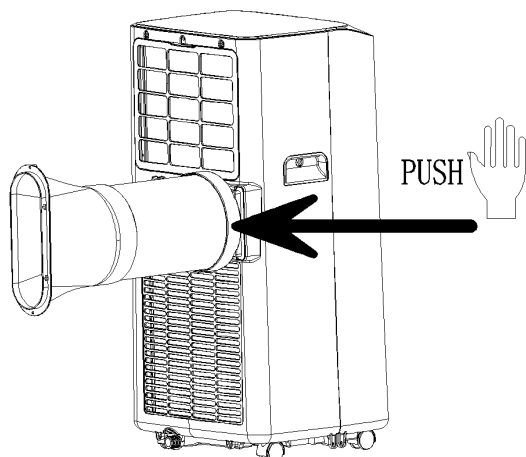
Ostrzeżenie: przed użyciem klimatyzacji mobilnej należy utrzymywać ją w pozycji pionowej przez co najmniej dwie godziny.

Klimatyzacja może być łatwo przenoszona w pomieszczeniu. W trakcie przenoszenia należy upewnić się, że urządzenie znajduje się w pozycji pionowej, i powinno być umieszczone na płaskiej powierzchni. Nie instaluj i nie używaj urządzenia w łazience lub w innych pomieszczeniach o dużej wilgotności.

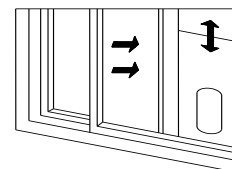
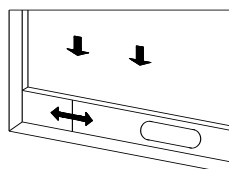
1.1 Instalowanie zespołu rury odprowadzającej (jak pokazano na rys. 2)

- wyjmij zewnętrzny zespół złącza i zespół rury wydechowej i zdejmij plastikowe opakowania;
- włóż zespół rury odprowadzającej (koniec złącza wydechowego) do otworu odpowietrzającego panelu tylnego (naciśnij do lewej) i zakończ montaż (jak pokazano na rysunku 2).

Rys.2



Rys. 3 i 4



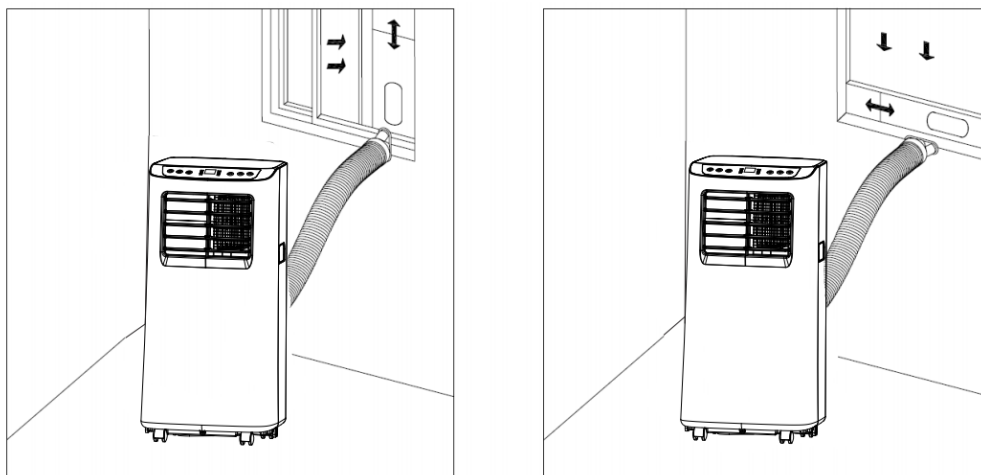
1.2 Montaż elementów płyty uszczelniającej okna

- Uchyl okno i zamontuj zespół uszczelki okna w oknie (jak pokazano na rys. 3 i 4). Elementy można układać w kierunku poziomym i pionowym.
- Elementy zestawu płyty uszczelniającej mają regulowaną długość, dostosuj ją do wielkości otworu w oknie, tak aby oba końce były w dobrym kontakcie z ramą okna.
- Zainstaluj zespół płyty uszczelniającej okna

Uwagi:

- płaski koniec łączącej rury wydechowej musi zostać zatrzaśnięty na swoim miejscu.
- Rura nie może być odkształcona, zgięta lub skręcona (więcej niż 45 °). Nie wolno blokować wentylacji rury wydechowej.

Wydluż rurę wydechową i zatrzaśnij płaski koniec połączeń rury wydechowej w otworze zespołu uszczelki okiennej (jak pokazano na rys. 5 i 6).



Rys. 5 i 6

UWAGA! Ważne!

Długość węża wylotowego powinna wynosić 280 ~ 1,500 mm, a długość ta zależy od specyfikacji klimatyzacji. Nie należy używać rur przedłużających lub zastępować ich innymi węzami, gdyż może to spowodować awarię. Zespół wylotowy nie może być zablokowany; w przeciwnym razie może dojść do przegrzania.

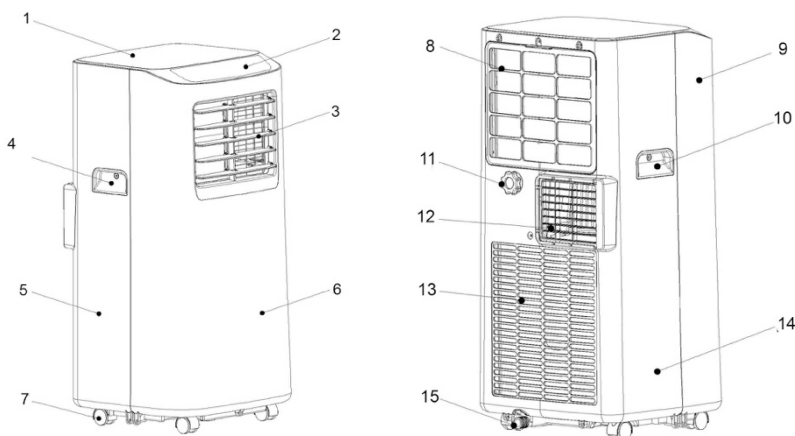
NAZWY ELEMENTÓW

Przód

1. Pokrywa górna
2. Panel kontrolny
3. Żaluzja wylotu powietrza
4. Uchwyt
5. Obudowa boczna
6. Obudowa przednia
7. Kółka

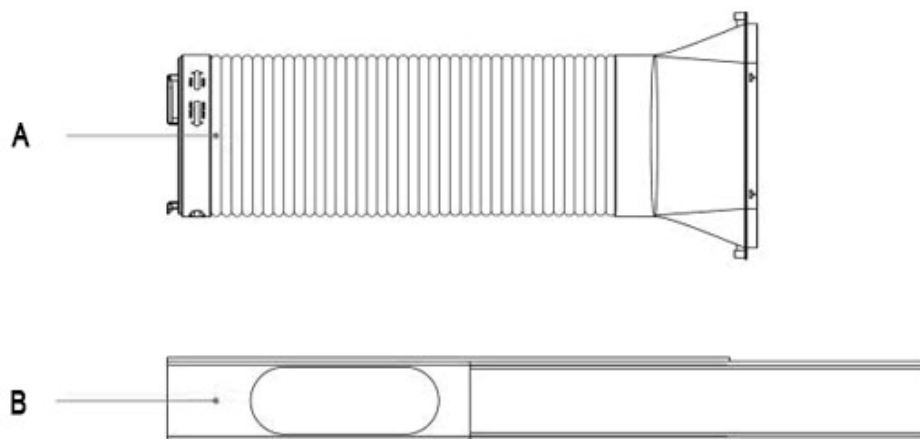
Tył

8. Filtr EVA
9. Obudowa przednia
10. Uchwyt
11. Otwór drenażu ciągłego
12. Nawiew
13. Filtr CON
14. Obudowa boczna
15. Otwór drenażowy



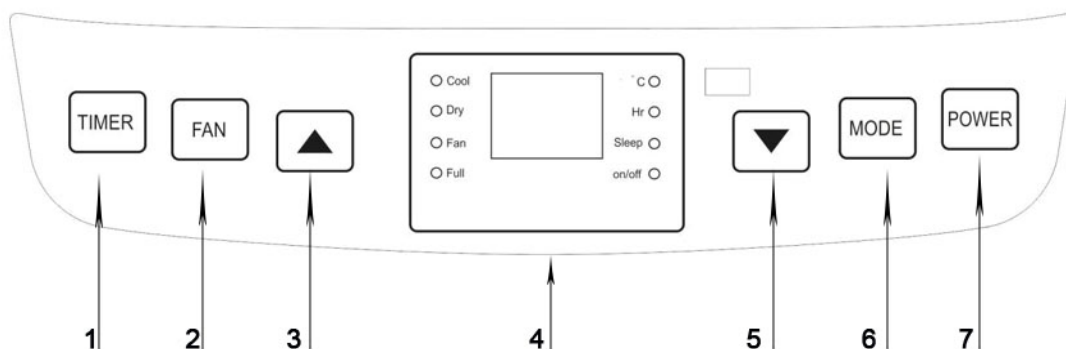
Sprawdź wszystkie akcesoria dołączone do urządzenia i używaj ich zgodnie z instrukcją obsługi.

AKCESORIA



A. Rura wylotowa układu wydechowego
B. Adapter okienny

PANEL STEROWANIA










Gdy urządzenie zostanie włączone po raz pierwszy rozlegnie się dźwięk brzęczyka a następnie urządzenie przejdzie w tryb czuwania

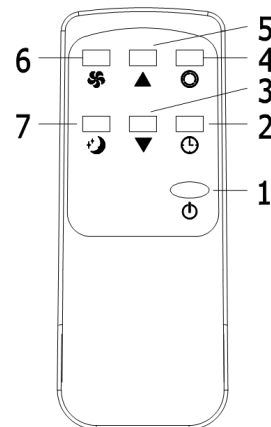
1. Przycisk czasu **TIMER**: kiedy urządzenie jest włączone programujesz czas jego wyłączenia, gdy jest wyłączone – czas włączenia. Naciśnij przycisk zegara. Kiedy wyświetli się ikonka zegara ustaw żądaną wartość przyciskami **GÓRA** lub **DÓŁ**. Zegar można ustawić w zakresie 1-24 godziny, w odstępach co godzinę.
2. Przycisk prędkości wentylatora **FAN**: Przyciśnij go aby wybrać niską (LOW), średnią (Medium) albo wysoką (HIGH) prędkość wentylatora. W trybie zabezpieczenia przed zamrożeniem prędkość może być inna niż ustawiona. W trybie osuszania przycisk jest nieaktywny a wentylator pracuje na domyślnie zalecanej niskiej prędkości.
3. i 5. Przyciski **GÓRA** (WIĘCEJ) i **DÓŁ** (MNIJ) Przyciskasz te przyciski, kiedy chcesz zmniejszyć lub zwiększyć temperaturę chłodzenia lub ustawić czas pracy. W trybie regulacji temperatury – przyciskając odpowiednio obniżasz lub podwyższasz temperaturę pracy urządzenia (nieaktywne w trybie osuszania i nawiewu). W trybie regulacji czasu – przyciskając odpowiednio skracasz lub wydłużasz czas do wyłączenia lub włączenia urządzenia.
Jednoczesne przyciśnięcie obu przycisków przetacza skale pomiaru temperatury z stopni Celsjusza na stopnie Fahrenheita i odwrotnie.
4. Wyświetlacz
6. Przycisk **MODE**: przyciskaj go, aby wybrać: Tryb chłodzenia (COOLING), Tryb nawiewu (FAN), Tryb osuszania (DEHUM),
7. Przycisk zasilania **POWER**: Naciśnij go aby włączyć/wyłączyć urządzenie. Po włączeniu urządzenie przyjmuje domyślne ustawienia: tryb chłodzenia, niska prędkość wentylatora.

SLEEP

W trybie chłodzenie przyciśnięcie jednocześnie klawiszy **GÓRA** i **FAN** powoduje, że urządzenie przechodzi w stan uśpienia, czyli oszczędzania energii i cichej pracy.

Uwaga! Nieaktywne w trybie osuszania i nawiewu.

1. Przycisk zasilania POWER (ON/OFF)  włącza/wyłącza urządzenie
2. Regulacja czasu (TIMER) 
3. Przycisk „DÓŁ”  obniża temperaturę, skraca czas pracy
4. Przycisk MODE  przycisk wyboru modyfikowanego parametru: chłodzenie, nawiew, osuszanie
5. Przycisk „GÓRA”  podnosi temperaturę, wydłuża czas
6. Przycisk trybu wentylatora FAN  wysokie/niskie obroty
7. Przycisk Czuwanie SLEEP 



ZABEZPIECZENIA

Zabezpieczenie przed zamrażaniem:

W trybie chłodzenia, osuszania i oszczędzania energii, kiedy temperatura przewodu odprowadzającego jest zbyt niska, automatycznie włącza się funkcja zabezpieczająca; kiedy temperatura osiągnie poziom normalny urządzenie automatycznie przełącza się na normalny tryb działania.

Zabezpieczenie przed przelaniem

Kiedy ilość wody w zbiorniku przekroczy określony poziom, urządzenie włącza automatycznie sygnał alarmowy a na wyświetlaczu miga sygnał FL. Należy wówczas opróżnić zbiornik (instrukcja poniżej). Po opróżnieniu, urządzenie wraca do normalnego działania.

Zabezpieczenie termiczne

Aby przedłużyć trwałość urządzenia zostało wyposażone w funkcję automatycznego zabezpieczenia przed przegrzaniem. Sprężarka i silnik zostają wyłączone i włączają się automatycznie, gdy temperatura wróci do normalnego poziomu.

Automatyczne odszranianie (modele chłodzące mają tę funkcję): urządzenie ma funkcję automatycznego odszraniania.

Ochrona kompresora

Sprężarka została wyposażona w zabezpieczenie, które uniemożliwia jej włączenie w ciągu 3 minut od wyłączenia.

ODPROWADZANIE WODY

Jeżeli wewnętrzny zbiornik z wodą jest pełen, na panelu sterującym będzie migał wskaźnik "Full" i urządzenie zatrzyma się.

W takim przypadku wyłącz urządzenie, wyciągnij wtyczkę zasilania.

Uwaga: Zachowaj ostrożność podczas przestawiania urządzenia, aby dopuścić do rozlania się wody ze zbiornika znajdującego się w dolnej części urządzenia. Podstaw pod otwór spustowy urządzenia pojemnik usuwaną wodę. Odkręć pokrywkę i wyjmij korek – woda wypłynie do pojemnika.

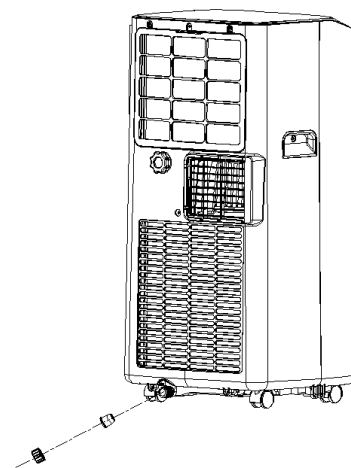
Uwaga: Uważaj, aby nie zgubić korka i pokrywy.

Podczas opróżniania można pochylić urządzenie lekko do tyłu.

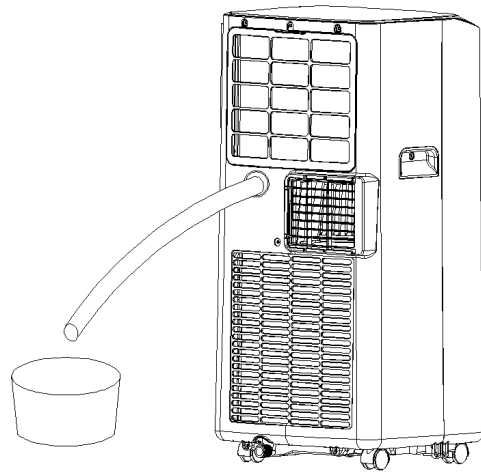
Jeśli pojemnik nie może pomieścić całej wody, szybko załóż korek i pokrywkę, aby woda nie wylała się na podłogę lub dywan. Kiedy cała woda wypłynie z urządzenia załóż korek i pokrywkę. Po odprowadzeniu wody należy ponownie podłączyć urządzenie do zasilania i uruchomić klimatyzator.

Opróżnianie ciągłe (tylko w trybie chłodzenie lub osuszanie) wg. rysunku:

1. Odkręcić pokrywkę i wyjąć korek
2. Wsunąć rurkę odpływową do otworu spustowego.
3. Drugi koniec rurki umieścić w wiadrze.



nie
na



KONSERWACJA

Uwaga: W celu uniknięcia porażenia prądem, wyłącz i odłącz urządzenie od zasilania przed rozpoczęciem czynności konserwacyjnych lub naprawczych.

Czyszczenie

- Przed rozpoczęciem czyszczenia odłącz jednostkę od zasilania.
- Obudowę przecieraj miękką, zwilżoną ściereczką. Do czyszczenia nie używaj rozpuszczalników chemicznych (takich jak benzyna, alkohol, benzen), gdyż mogą one spowodować uszkodzenia lub zdeformowanie całej obudowy, a nawet uszkodzenie urządzenia.
- Nie spryskuj urządzenia wodą.

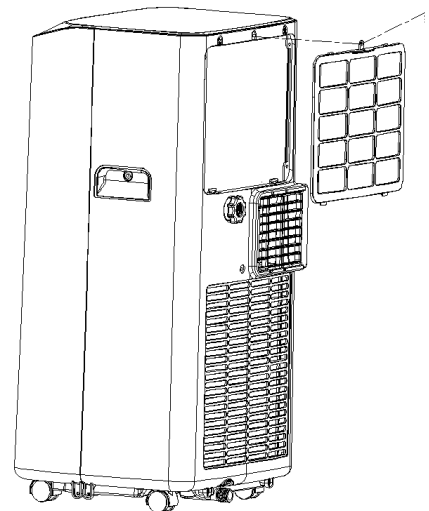
Filtry powietrza

Filtr powietrza EVA należy czyścić co dwa tygodnie.

Filtr powietrza zanieczyszczony pyłem zmniejsza wydajność urządzenia. Odkręć śrubkę stabilizującą obudowy i siatki filtra EVA i wyjmij siatkę filtra.

Umyj filtr powietrza zanurzając go delikatnie w ciepłej wodzie (ok. 40°C) z neutralnymi środkami piorącymi, następnie wypłucz go i osusz w zacienionym miejscu.

Nie wolno używać urządzenia bez filtra.



Koniec okresu użytkowania – przechowywanie urządzenia

Jeśli urządzenie nie będzie używane przez dłuższy czas, należy wykonać następujące czynności:

- Odprowadź wodę z urządzenia (wg wskazówek powyżej).
- Włącz tryb Nawiewu i pozwól urządzeniu pracować przez pewien czas, aż jednostka zostanie wewnątrz osuszona (rura odpływowa będzie sucha), co zapobiegnie pleśnieniu.
- Wyłącz i odłącz urządzenie od zasilania. Owiń przewód wokół uchwytów na przewód. Załóż korek i pokrywę otworu spustowego.
- Wyczyść filtr i po dokładnym osuszeniu umieść go z powrotem w urządzeniu.
- Odłącz rurę wylotową od urządzenia i przechowuj ją starannie w bezpiecznym miejscu.
- Owiń jednostkę w folię plastikową i przechowuj ją w suchym miejscu.
- Wyjmij baterie z pilota i starannie go przechowuj.

ROZWIĄZYWANIE PROBLEMÓW

1. Informacje o serwisowaniu

a) Kontrola stanowiska działania

Przed rozpoczęciem prac na systemach zawierających łatwopalne czynniki chłodnicze, kontrole bezpieczeństwa są konieczne, aby zminimalizować ryzyko zapłonu. W przypadku naprawy w

systemie chłodzącym, przed rozpoczęciem prac nad urządzeniem należy przestrzegać następujących środków ostrożności:

- b) Procedura pracy
Prace należy prowadzić w ramach kontrolowanej procedury w celu zminimalizowania ryzyka występowania łatwopalnego gazu lub oparów podczas wykonywania pracy.
- c) Ogólny obszar roboczy
Wszyscy pracownicy obsługi technicznej i inne osoby pracujące w pobliżu powinni zostać poinstruowani na temat rodzaju wykonywanej pracy. Należy unikać pracy w pomieszczeniach zamkniętych. Strefa wokół obszaru roboczego powinna zostać odcięta. Upewnij się, że warunki w obszarze pracy zostały dostosowane do działań z materiałami łatwopalnymi.
- d) Sprawdzenie obecności czynnika chłodniczego
Obszar należy sprawdzić za pomocą odpowiedniego detektora czynnika chłodniczego przed i w trakcie pracy, aby zapewnić technikowi świadomość istnienia potencjalnie łatwopalnej atmosfery. Upewnij się, że używany sprzęt do wykrywania nieszczelności jest odpowiedni do użycia przy materiałach i łatwopalnych czynnikach chłodniczych, tj. nieiskrzący, odpowiednio uszczelniony lub iskrobezpieczny.
- e) Obecność gaśnicy
Jeśli będzie przeprowadzona jakakolwiek praca na gorąco na sprzęcie chłodniczym lub powiązanych z nim częściach, należy zapewnić odpowiedni sprzęt gaśniczy. Upewnij się, że masz gaśnicę proszkową lub gaśnicę CO₂ w bezpośrednim sąsiedztwie miejsca pracy urządzenia.
- f) Brak źródła zapłonu
Każda osoba wykonująca pracę związaną z systemem chłodniczym, który wymaga odstąpienia, dowolną pracę z rurami, które zawierają lub zawierały łatwopalny czynnik chłodniczy, powinna wykorzystywać dowolne źródła zapłonu w taki sposób, aby nie dopuścić do pożaru lub wybuchu. Wszystkie możliwe źródła zapłonu, w tym palenie papierosów, powinny być utrzymywane w wystarczającej odległości od miejsca instalacji, naprawy, wprowadzania i usuwania, podczas których łatwopalny czynnik chłodniczy może być wypuszczony do otaczającej przestrzeni. Przed rozpoczęciem pracy, obszar wokół urządzenia należy dokładnie sprawdzić, aby upewnić się, że nie ma łatwopalnych materiałów, stanowiących zagrożenie lub ryzyko zapłonu. Należy wyeksponować znaki "Zakaz palenia".
- g) Obszar wentylowany
Upewnij się, że obszar pracy jest na otwartej przestrzeni lub, że jest odpowiednio wentylowany przed naruszeniem szczelności systemu lub prowadzeniem jakiegokolwiek pracy na gorąco. Wentylacja powinna być kontynuowana przez cały okres wykonywania pracy. Wentylacja powinna bezpiecznie rozproszyć wszelkie uwolnione czynniki chłodnicze i najlepiej usuwać je na zewnątrz do atmosfery.
- h) Kontrola urządzenia chłodniczego
W przypadku zmiany komponentów elektrycznych - powinny one być odpowiednie do tego celu i posiadać poprawną specyfikację. Przez cały czas konserwacji i serwisowania winny być przestrzegane wytyczne producenta. W razie wątpliwości skonsultuj się z działem technicznym producenta.

W przypadku instalacji wykorzystujących łatwopalne czynniki chłodnicze należy skontrolować czy:

- Rozmiar ładunku jest zgodny z rozmiarem pomieszczenia, w którym znajdują się elementy zawierające czynnik chłodniczy;
- Urządzenia wentylacyjne i wyloty działają prawidłowo i nie są zatkane;
- W przypadku stosowania pośredniego obiegu chłodniczego należy sprawdzić obwód wtórny na obecność czynnika chłodniczego;
- Oznaczenie urządzenia jest zawsze widoczne i czytelne. Oznakowania i znaki, które są nieczytelne, powinny zostać poprawione;
- Rura chłodnicza lub inne komponenty chłodnicze są zainstalowane w miejscu, w którym jest małe prawdopodobieństwo narażenia ich na działanie jakiegokolwiek substancji, która może powodować korozję elementów zawierających czynnik chłodniczy, chyba że komponenty są wykonane z materiałów, które są z natury odporne na korozję lub odpowiednio zabezpieczone przed skorodowaniem.

- i) Kontrola urządzeń elektrycznych
Naprawa i konserwacja elementów elektrycznych obejmuje wstępne kontrole bezpieczeństwa i procedury kontroli części. Jeśli zaistnieje usterka, która mogłaby zagrozić bezpieczeństwu, wówczas zasilanie elektryczne nie powinno być podłączone do obwodu, dopóki problem nie zostanie w zadowalający sposób rozwiązany. Jeśli usterki nie da się natychmiast skorygować, a konieczne jest kontynuowanie pracy, należy zastosować odpowiednie tymczasowe rozwiązanie. Zostanie to zgłoszone właścicielowi sprzętu, i wszystkim zainteresowanym stronom.

Wstępne kontrole bezpieczeństwa obejmują sprawdzenie, czy:

- kondensatory są rozładowane: należy to zrobić w bezpieczny sposób, aby uniknąć możliwości iskrzenia;

- podczas ładowania, odzyskiwania lub czyszczenia systemu nie są widoczne żadne elementów elektrycznych i okablowanie;
- istnieje ciągłość uziemienia.

2. Naprawy uszczelnionych elementów

1. Podczas napraw uszczelnionych elementów, wszystkie urządzenia elektryczne powinny być odłączone od sprzętu, który jest przedmiotem prac, przed każdym usunięciem zabezpieczonych pokryw itp. Jeśli jest niezbędne zasilanie elektryczne urządzeń podczas obsługi, to powinna ciągle działać operacyjna forma wykrywania nieszczelności i powinna znajdować się w punkcie najbardziej krytycznym, i ostrzegać o potencjalnie niebezpiecznej sytuacji.
2. Szczególną uwagę należy zwrócić na następujące kwestie, aby zagwarantować, że pracując na elektrycznych elementach urządzenia, obudowa nie zostanie zmieniona w taki sposób, aby wpływało to na poziom ochrony. Obejmuje to uszkodzenie kabli, nadmierną liczbę połączeń, zacisków, niezabezpieczonych zgodnie ze specyfikacją, uszkodzenie uszczelek, nieprawidłowy montaż dławików itp.

Upewnij się, że urządzenie jest bezpiecznie zamontowane.

Upewnij się, że uszczelki lub materiały uszczelniające nie uległy degradacji, tak że już nie spełniają swej funkcji zapobiegania przedostawaniu się łatwopalnych atmosfer. Części zamienne muszą być zgodne ze specyfikacjami producenta.

UWAGA: Zastosowanie silikonowego uszczelnacza może hamować skuteczność niektórych rodzajów sprzętu do wykrywania do wycieków.

Iskrobezpieczne komponenty nie muszą być izolowane przed rozpoczęciem pracy na nich.

3. Naprawa iskrobezpiecznych komponentów

Nie przykładaj do obwodu żadnych stałych obciążeń indukcyjnych lub pojemnościowych, nie mając pewności, że to nie przekroczy dopuszczalnego napięcia i prądu dozwolonego dla używanego urządzenia

Iskrobezpieczne komponenty są jedynymi typami, nad którymi można pracować w obecności łatwopalnej atmosfery podczas działania urządzenia. Aparatura badawcza musi mieć prawidłową ocenę.

Wymień komponenty tylko na części zalecone przez producenta. Inne części mogą powodować zapalenie czynnika chłodniczego wyciekającego do atmosfery.

4. Okablowanie

Sprawdź, czy okablowanie nie ulegnie zużyciu, korozji, nadmiernemu naciskowi, wibracjom, nie będzie miało kontaktu z ostrymi krawędziami lub jakkolwiek innym niekorzystnym wpływem środowiska. Kontrola obejmuje również skutki starzenia się lub ciągłych wibracji ze źródeł takich jak sprężarki lub wentylatory.

5. Wykrywanie łatwopalnych czynników chłodniczych

Pod żadnym pozorem potencjalne źródła zapłonu nie mogą być wykorzystywane do poszukiwania lub wykrywania wycieków czynnika chłodniczego. Nie wolno używać latarki halogenkowej (lub jakichkolwiek innych detektorów wykorzystujący otwarty płomień).

6. Metody wykrywania wycieków

Następujące metody wykrywania wycieków uznaje się za dopuszczalne w przypadku systemów zawierających łatwopalne czynniki chłodnicze.

Do wykrycia łatwopalnych czynników chłodniczych stosuje się elektroniczne wykrywacze nieszczelności, ale ich czułość może nie być wystarczająca lub może wymagać ponownej kalibracji. (Sprzęt do wykrywania należy skalibrować w obszarze wolnym od czynnika chłodniczego). Upewnij się, że czujnik nie jest potencjalnym źródłem zapłonu i jest odpowiedni dla używanego czynnika chłodniczego. Sprzęt do wykrywania nieszczelności należy ustawić w procentach LFL czynnika chłodniczego i należy go skalibrować do użytego czynnika chłodniczego i potwierdzić odpowiedni procent gazu (maksymalnie 25%).

Płyny do wykrywania wycieków nadają się do stosowania z większością czynników chłodniczych, ale należy unikać detergentów zawierających chlor, ponieważ chlor może reagować z czynnikiem chłodniczym i spowodować korozję rur miedzianych.

Jeśli podejrzewa się przeciek, wszystkie otwarte płomienie muszą zostać usunięte / zgaszone.

W przypadku stwierdzenia wycieku czynnika chłodniczego, który wymaga lutowania, cały czynnik chłodniczy powinien zostać odzyskany z układu lub odizolowany (za pomocą zaworów odcinających) w części systemu oddalonej od wycieku. Następnie system powinien być przedmuchiwany beztlenowym azotem (OFN) zarówno przed jak i podczas procesu lutowania.

7. Usunięcie i ewakuacja

Podczas naruszania ciągłości obwodu czynnika chłodniczego w celu dokonania napraw - lub w jakimkolwiek innym celu - stosuje się standardowe procedury. Ważne jest jednak, aby także potem zastosować odpowiednie procedury, ponieważ zagrożenie pożarem nadal istnieje. Należy przestrzegać następującej procedury:

- Usunąć czynnik chłodniczy;
- Przedmuchać obwód gazem obojętnym;
- Opróżnij instalację;

- Oczyszczyć ponownie gazem obojętnym;
- Otwórz obwód przez cięcie lub lutowanie.

Ładunek czynnika chłodniczego należy odzyskać do odpowiednich cylindrów odzysku. System zostanie "przepłukany" OFN, aby urządzenie było bezpieczne. Może być konieczne powtórzenie tej czynności kilka razy. Do tego celu **nie należy** używać sprężonego powietrza ani tlenu.

Płukanie uzyskuje się poprzez napełnienie układu za pomocą OFN i kontynuowanie napełniania do osiągnięcia ciśnienia roboczego, a następnie odpowietrzenie do atmosfery, oraz w końcu odessanie do próżni. Proces ten należy powtarzać aż do braku czynnika chłodniczego w systemie. Przy końcowym „płukaniu” układ powinien zostać odgazowany do wartości ciśnienia atmosferycznego, aby umożliwić pracę. Ta operacja jest absolutnie niezbędna, jeśli mają się odbywać operacje lutowania na rurze. Upewnij się, że wylot pompy próżniowej nie znajduje się blisko żadnych źródeł zapłonu i jest tam dostępna wentylacja.

8. Procedury ładowania

Oprócz konwencjonalnych procedur ładowania obowiązują następujące wymagania:

Upewnij się, że podczas ładowania nie występuje zanieczyszczenie różnych sprzętów około czynników chłodniczych. Węże lub przewody powinny być jak najkrótsze, aby zminimalizować ilość zawartego w nich czynnika chłodniczego.

Butle powinny być utrzymywane w pozycji pionowej.

Przed napełnieniem układu czynnikiem chłodniczym upewnij się, że systemie chłodzenia jest uziemiony.

Oznacz etykietę systemu po zakończeniu ładowania (jeśli jeszcze nie została oznaczona).

Należy zachować szczególną ostrożność, aby nie przepętniać układu chłodniczego.

Przed ponownym naładowaniem systemu należy przeprowadzić próbę ciśnieniową przy pomocy OFN.

Po zakończeniu napełniania, ale przed uruchomieniem, należy przeprowadzić próbę szczelności układu. Kontrolę szczelności należy przeprowadzić przed opuszczeniem miejsca

9. Likwidacja

Przed wykonaniem tej procedury ważne jest, aby technik był w pełni zaznajomiony z wyposażeniem i wszystkimi jego szczegółami. Zaleca się dobrą praktykę, aby wszystkie czynniki chłodnicze zostały bezpiecznie odzyskane. Przed wykonaniem zadania należy pobrać próbkę oleju i czynnika chłodniczego na wypadek konieczności przeprowadzenia analizy przed ponownym użyciem regenerowanego czynnika chłodniczego.

Ważne jest, aby zasilanie elektryczne było dostępne przed rozpoczęciem zadania.

a. Zapoznaj się z wyposażeniem i jego działaniem.

b. Odizoluj system elektrycznie.

c. Przed przystąpieniem do procedury należy upewnić się, że:

- W razie potrzeby dostępne jest mechaniczne urządzenie manipulacyjne do obsługi cylindrów z czynnikiem chłodniczym.
- Wszystkie środki ochrony osobistej są dostępne i używane prawidłowo;
- Proces odzyskiwania jest zawsze nadzorowany przez kompetentną osobę;
- Sprzęt do odzyskiwania i butle spełniają odpowiednie normy.

d. Opróżnij układ chłodniczy, jeśli to możliwe.

e. Jeśli opróżnienie nie jest możliwe, należy wykonać kolektor, aby można było usunąć czynnik chłodniczy z różnych części systemu.

f. Przed odzyskaniem upewnij się, że butla znajduje się na wadze.

g. Uruchom maszynę do odzyskiwania i działaj zgodnie z instrukcjami producenta.

h. Nie przepętniaj cylindrów. (Nie więcej niż 80% objętości ładunku cieczy).

i. Nie przekraczaj maksymalnego ciśnienia roboczego cylindra, nawet chwilowo.

j. Po prawidłowym napełnieniu cylindrów i zakończeniu procesu upewnij się, że butle i wyposażenie zostały szybko usunięte z miejsca instalacji, a wszystkie zawory odcinające na urządzeniu są zamknięte.

k. Odzyskanego czynnika chłodniczego nie należy ładować do innego systemu chłodniczego, chyba że został on wyczyszczony i sprawdzony.

10. Etykietowanie

Wyposażenie musi być opatrzone etykietą stwierdzającą, że zostało ono wycofane z eksploatacji i zostało opróżnione z czynnika chłodniczego. Etykieta musi być opatrzona datą i podpisana. Upewnij się, że na urządzeniu znajdują się nalepki informujące, że urządzenie zawiera łatwopalny czynnik chłodniczy.

11. Odzyskiwanie

Podczas usuwania czynnika chłodniczego z układu, w celu konserwacji lub likwidacji, zaleca się, aby wszystkie czynniki chłodnicze były bezpiecznie usuwane.

Przenosząc czynnik chłodniczy do cylindrów, należy stosować tylko odpowiednie cylindry do odzyskiwania czynnika chłodniczego. Upewnij się, że dostępna jest odpowiednia liczba cylindrów do przechowania całkowitego ładunku systemowego. Wszystkie stosowane butle są przeznaczone do odzyskanego czynnika chłodniczego i oznaczone tym czynnikiem chłodniczym (tj. specjalne cylindry do odzyskiwania czynnika chłodniczego). Butle powinny być wyposażone w zawór bezpieczeństwa i

powiązane zawory odcinające w dobrym stanie technicznym. Puste butle odzysku są opróżniane i, jeśli to możliwe, chłodzone przed odzyskiem.

Sprzęt do odzysku powinien być w dobrym stanie, z zestawem instrukcji dotyczących dostępnego sprzętu i powinien być odpowiedni do odzysku łatwopalnych czynników chłodniczych. Ponadto powinien być dostępny i w dobrym stanie zestaw skalibrowanych wag. Wężę powinny być w komplecie z szczelnymi złączami rozłączającymi i w dobrym stanie. Przed użyciem maszyny odzyskującej należy sprawdzić, czy jest ona w dobrym stanie technicznym, została prawidłowo konserwowana i czy wszystkie powiązane elementy elektryczne są uszczelnione, aby zapobiec zapłonowi w przypadku uwolnienia czynnika chłodniczego. W razie wątpliwości skonsultuj się z producentem.

Odzyskany czynnik chłodniczy powinien zostać zwrócony dostawcy czynnika chłodniczego do odpowiedniego cylindra odzysku, a odpowiednia informacja dotycząca transferu odpadów musi zostać dołączona. Nie mieszać czynników chłodniczych w jednostkach odzysku, a zwłaszcza nie w butlach.

Jeśli mają zostać usunięte sprężarki lub oleje sprężarkowe, należy upewnić się, że zostały one opróżnione do akceptowalnego poziomu, aby upewnić się, że łatwopalny czynnik chłodniczy nie pozostaje w środku smarnym. Proces ewakuacji powinien zostać przeprowadzony przed przekazaniem sprężarki do dostawców. Proces spuszczenia oleju ze sprężarki należy przeprowadzić bezpiecznie.

ROZWIĄZYWANIE PROBLEMÓW


Przed skontaktowaniem się z profesjonalnym serwisem naprawczym, sprawdź najpierw samego powód i możliwość rozwiązania problemu:

Problem	Przyczyna	Rozwiązanie
Klimatyzator w ogóle nie działa.	Brak zasilania z sieci elektrycznej.	Podłącz wtyczkę do źródła zasilania i włącz urządzenie.
	"WF" pulsuje na ekranie wyświetlacza – nadmiar wody w zbiorniku	Odprowadź wodę.
	Zbyt niska lub zbyt wysoka temperatura otoczenia	Zalecane temperatury użytkowania od 7 do 35 stopni C.
	Dla trybu osuszania, temperatura otoczenia jest niska	Urządzenie znajduje się w pomieszczeniu o temperaturze powyżej 17 stopni C.
Klimatyzator niedostatecznie chłodzi.	Urządzenie wystawione jest na bezpośrednie działanie promieni słonecznych.	Zasuń zasłony.
	Okna lub drzwi są otwarte, w pokoju znajduje się dużo osób lub źródeł ciepła.	Zamknij drzwi i okna, usuń z pokoju zbędne źródła ciepła.
	Brudny filtr.	Wyczyść lub wymień filtr(y).
	Wylot lub wlot powietrza jest zasłonięty.	Usuń obiekt zasłaniający wlot i wylot powietrza.
Jednostka zbyt głośno pracuje.	Jednostka nie stoi równo w pozycji pionowej.	Umieść jednostkę na twardej, równej powierzchni (zmniejsz wibracje).
Sprężarka nie pracuje.	Zadziałało zabezpieczenie sprężarki przed przegrzaniem.	Zaczekaj trzy minuty na spadek temperatury i włącz ponownie urządzenie.
Pilot nie działa	Zbyt duża odległość między pilotem a urządzeniem lub pilot nie jest skierowany na odbiornik w urządzeniu Baterie są rozładowane	Zbliżyć pilot do urządzenia i nakierować na odbiornik pilota w urządzeniu Wymienić baterie na nowe
Na ekranie pojawił się komunikat E1 lub E2	Usterka czujnika temperatury	Sprawdzić czujnik temperatury i jego obwód



Uwaga: Jeżeli urządzenie będzie w jakikolwiek sposób działać nieprawidłowo, natychmiast wyłącz jednostkę i odłącz ją od zasilania. Następnie skontaktuj się z wykwalifikowanym elektrykiem.

OCHRONA ŚRODOWISKA NATURALNEGO

Symbol  na tabliczce znamionowej urządzenia oznacza, że produktu nie wolno wyrzucać razem z innymi odpadami z gospodarstw domowych. Polskie prawo zabrania pod karą grzywny łączenia zużytego sprzętu elektrycznego i elektronicznego wraz z innymi odpadami.

Dbając o pozbycie się produktu w należyty sposób, można zapobiec potencjalnym negatywnym skutkom dla środowiska naturalnego i zdrowia ludzkiego, jakie mogłyby wyniknąć z niewłaściwego postępowania z odpadami powstałymi ze zużytego sprzętu elektronicznego.

System zbierania zużytego sprzętu jest zgodny z obowiązującymi na terenie Rzeczypospolitej Polskiej normami prawnymi, (Ustawa z dnia 29 lipca 2005, Dziennik Ustaw Nr 180 poz.1494 i 1495) obowiązki wynikające z ustawy przejęta w imieniu przedsiębiorcy Organizacja Odzysku.

Gospodarstwo domowe pełni istotną rolę w przyczynianiu się do ponownego użycia i odzysku, w tym recyklingu, zużytego sprzętu elektrycznego. Przestrzeganie zasad selektywnej zbiórki sprzętu ma zapewnić właściwy poziom ochrony zdrowia ludzkiego i środowiska naturalnego.

Waga netto urządzenia - 28 kg

Na podstawie prostego wniosku, instrukcja obsługi jest również dostępna w formie elektronicznej w ramach obsługi posprzedażowej (zobacz karta gwarancyjna).



Urządzenie zawiera łatwopalny gaz R290.



Przed użyciem, zapoznaj się z instrukcją.



Przed zainstalowaniem urządzenia, zapoznaj się z instrukcją.



W razie konieczności naprawy, skontaktuj się z najbliższym serwisem

UWAGA:

Urządzenie powinno być ustawione i używane w pomieszczeniu większym niż 12m²

Nie przyspieszaj odmrażania lub czyszczenia inaczej niż jest to zalecane przez producenta.

Urządzenie powinno być przechowywane w pomieszczeniu bez źródeł otwartego ognia (np. działające urządzenie gazowe lub grzejnik elektryczny)

Nie przebijaj, nie wrzucaj do ognia.

Należy pamiętać że czynniki chłodnicze nie mają żadnego zapachu



Caution, risk of fire

DÔLEŽITÉ BEZPEČNOSTNÉ UPOZORNENIA

Pred používaním zariadenia si pozorne prečítajte tieto pokyny, a vždy dodržujte bezpečnostné a prevádzkové pokyny v návode.

Dôležité: *Osoby (vrátane detí nad 8 rokov), ktoré nie sú schopné používať zariadenie bezpečným spôsobom kvôli fyzickým, zmyslovým alebo duševným schopnostiam alebo kvôli nedostatku skúseností alebo vedomostí, nesmú nikdy používať toto zariadenie, ak nie sú pod dohľadom osoby zodpovednej za ich bezpečnosť alebo ak predtým nedostali pokyny týkajúce sa bezpečného používania zariadenia.*

Na deti je potrebné dôsledne dohliadať, aby nepoužívali toto zariadenie ako hračku.

Čistenie a údržbu prístroja nesmú vykonávať deti, jedine ak dosiahli 8 rokov a sú pod dozorom dospelé osoby. Nikdy nenechávajte spotrebič jeho el. kábel bez dozoru a v dosahu detí mladších ako 8 rokov alebo nezodpovedných osôb, hlavne ak je prístroj zapojený na sieť, či sa chladí.

- ❑ Zariadenie používajte iba na domáce účely a spôsobom, aký je uvedený v týchto pokynoch.
- ❑ Zariadenie nikdy nepoužívajte vonku a vždy ho umiestňujte do suchého prostredia.
- ❑ Z času na čas skontrolujte, či kábel nie je poškodený. Zariadenie nikdy nepoužívajte, ak kábel alebo samotné zariadenie vykazujú akékoľvek príznaky poškodenia. Všetky opravy by mal vykonávať kompetentný, kvalifikovaný elektrikár(*) aby sa predišlo nebezpečenstvu.
- ❑ Zariadenie nikdy nepoužívajte v blízkosti horúcich plôch a na priamom slnečnom žiarení.
- ❑ Pred zapojením prístroja do siete musí byť spínač v polohe "0".
- ❑ Zariadenie vždy pred čistením alebo uskladnením odpojte od elektrického napájania.
- ❑ Postupujte podľa pokynov k čisteniu (viď odsek čistenie a údržba).
- ❑ Skontrolujte, či sa napätie v elektrickej sieti zhoduje s napätím uvedeným na zariadení.
- ❑ Chráňte deti pred týmto nebezpečenstvom
- ❑ Zariadenie nikdy nenechávajte bez dozoru, keď sa používa. Prístroj nenechajte zapnutý pokiaľ ste dlhšiu dobu preč. Pred odchodom z miestnosti prístroj vždy vypnite.
- ❑ Zariadenie nikdy nepremiestňujte ťahaním za kábel. Ubezpečte sa, že kábel sa žiadnym spôsobom nemôže nikde zachytiť. Neomotávajte kábel okolo zariadenia ani ho nezohýbajte.
- ❑ Zariadenie nikdy a zo žiadneho dôvodu neponárajte do vody alebo do akejkoľvek kvapaliny. Vyhnite sa striekaniu vody na prístroj.
- ❑ Zariadenie udržiavajte mimo dosahu vody alebo oleja.
- ❑ Rešpektujte pokyny ku čisteniu.
- ❑ Do ochrannéj mriežky nekladajte prsty, ceruzky alebo iné predmety.
- ❑ Všetky opravy by mal vykonávať kompetentný, kvalifikovaný elektrikár(*) aby sa predišlo nebezpečenstvu.
- ❑ Nikdy nepoužívajte príslušenstvo, ktoré neodporúča výrobca. Môže predstavovať nebezpečenstvo pre používateľa a riziko poškodenia spotrebiča.

(*) Kompetentný kvalifikovaný elektrikár: popredajné oddelenie výrobcu alebo dovozca alebo akákoľvek osoba, ktorá je kvalifikovaná, schválená a kompetentná na vykonávanie takýchto opráv s cieľom predchádzania akýmkoľvek nebezpečenstvám. V každom prípade by ste mali vrátiť zariadenie takémuto elektrikárovi.

Chladiaci prostriedok používaný v mobilných klimatizačných jednotkách je ekologický uhľovodík R290. Toto chladivo je bez zápachu a v porovnaní s alternatívnym chladivom je R290 chladivo bez ozónu a jeho účinok je veľmi nízky.

Pred použitím a opravou si prečítajte pokyny.

Nákresy uvedené v tomto návode nemusia byť rovnaké ako fyzické objekty. Pozrite sa na fyzické objekty.

Funkcie a súčasti

1. Funkcie

- * Úplne nový vzhľad, kompaktná konštrukcia, hladké línie, jednoduchý a veľkorysý tvar.
 - * Funkcie chladenia, odvlhčovania, prívodu vzduchu a kontinuálne odvodnenie
 - * Vonkajšie rozhranie je nastavené vysoko na montáž zariadenia a udržuje plynulý tok teplovodného potrubia.
 - * LED displej ovládacieho panela, krásny a módny, s vysoko kvalitným diaľkovým ovládaním. Užívateľsky príjemný dizajn diaľkového ovládania.
 - * Schopnosť filtrácie vzduchu.
 - * Funkcia časového spínača.
 - * Ochranná funkcia automatického reštartovania kompresora po troch minútach, množstvo ďalších ochranných funkcií.
- Maximálna prevádzková teplota klimatizácie Chladenie: 35/24 °C; vykurovanie: 20/12 °C; teplota prevádzkového rozsah: 7-35 °C.

Upozornenia

Varovania:

1. Nepoužívajte prostriedky na urýchlenie procesu rozmrazovania alebo na čistenie okrem tých, ktoré odporúča výrobca.
2. Spotrebič sa musí skladovať v miestnosti bez prevádzky zdrojov zapalovania (napríklad: otvorený oheň, plynový spotrebič alebo pracovný elektrický ohrievač).
3. Neprepichujte zariadenie ani nezapaľujte oheň v jeho blízkosti.
4. Uvedomte si, že chladivá nemusia obsahovať zápach.
5. Zariadenie musí byť inštalované, prevádzkované a uskladnené v miestnosti s podlahovou plochou väčšou ako 7m².
6. Nechajte akékoľvek potrebné ventilačné otvory bez prekážok.
7. Servis sa vykonáva iba podľa odporúčaní výrobcu.
8. Spotrebič musí byť skladovaný v dobre vetranom priestore, kde veľkosť priestoru zodpovedá miestnosti určenej na prevádzku.
9. Každá osoba, ktorá sa zaoberá prácou na chladiacom okruhu alebo preniká do okruhu chladiva, by mala mať súčasne platné osvedčenie od orgánu povereného posudzovaním v priemysle, ktorý oprávňuje ich spôsobilosť bezpečne prevádzkať chladiace prostriedky v súlade s priemyselne uznanou špecifikáciou hodnotenia.
10. Servis sa musí vykonať iba podľa odporúčania výrobcu zariadenia. Údržba a oprava vyžadujúca pomoc iného odborného personálu sa vykonáva pod dohľadom osoby zodpovednej za používanie horľavých chladív.
11. Všetky pracovné postupy, ktoré vyžadujú bezpečnostné prostriedky, musia prevádzkať len kompetentné osoby.



Poznámky:

* Klimatizácia je vhodná len pre vnútorné použitie a nie je vhodná pre iné aplikácie.

*Pri inštalácii klimatizácie dodržiavajte miestne pravidlá prepojenia siete a uistite sa, že je správne uzemnená. Ak máte akékoľvek otázky týkajúce sa elektrickej inštalácie, postupujte podľa pokynov výrobcu a v prípade potreby požiadajte profesionálneho elektrikára, aby zariadenie nainštaloval.

* Stroj umiestnite na rovnom a suchom mieste a udržiavajte vzdialenosť nad 50 cm medzi strojom a okolitými predmetmi alebo stenami.

*Po inštalácii klimatizácie skontrolujte, či je sieťová zástrčka neporušená a pevne zapojená do elektrickej zásuvky a správne umiestnite napájací kábel, aby ste zabránili tomu, že niekto zablokuje alebo vytiahne zástrčku.

* Do prívodu a odvodu vzduchu na klimatizačnom zariadení nekladajte žiadne predmety. Udržujte vstup a výstup vzduchu bez prekážok.

* Keď sú inštalované drenážne potrubia, dbajte na správne pripojenie odvodňovacích rúrok, ktoré nie sú deformované alebo ohnuté.

* Pri nastavovaní horných a spodných vodiacich prúžkov vývodu vzduchu, ich jemne zachyťte rukami, aby ste predišli poškodeniu vetracích pásov.

* Pri presúvaní stroja sa uistite, že je v zvislej polohe.

* Stroj by mal držať ďalej od benzínu, horľavých plynov, sporákov a iných zdrojov tepla.

* Stroj nerozoberajte, neopravujte a neupravujte, môžete spôsobiť poruchu zariadenia alebo dokonca poškodenie zdravia osôb alebo škody na majetku. Aby ste predišli nebezpečenstvu, ak dôjde k zlyhaniu stroja, požiadajte o opravu výrobcu alebo odborníkov.

* Neinštalujte a nepoužívajte klimatizáciu v kúpeľni alebo inom vlhkom prostredí.

* Nevyfahujte zástrčku, aby ste stroj vyplí.

* Neumiestňujte na teleso šálky ani iné predmety, aby ste zabránili vniknutiu vody alebo iných kvapalín do klimatizácie.

* Nepoužívajte rozprašovače insekticídov alebo iné horľavé látky v blízkosti klimatizácie.

* Neutierajte ani neumývajte klimatizáciu chemickými rozpúšťadlami, ako je benzín a alkohol. Keď potrebujete vyčistiť klimatizáciu, musíte odpojiť napájací zdroj a očistiť ho navlhčenou mäkkou handričkou. Ak je stroj skutočne znečistený, oťierajte jemným čistiacim prostriedkom.

* Tento spotrebič môžu používať deti vo veku od 8 rokov a osoby so zníženými fyzickými, zmyslovými alebo duševnými schopnosťami, ak sú pod dohľadom alebo majú inštrukcie o používaní spotrebiča bezpečným spôsobom a pochopili príslušné riziká. Deti sa nesmú hrať so zariadením. Čistenie a údržbu nesmú vykonávať deti bez dozoru.

Ak je prívodný kábel poškodený, musí ho vymeniť výrobca, jeho servisný zástupca alebo osoby s podobnou kvalifikáciou, aby sa predišlo nebezpečenstvu.

Prístroj musí byť inštalovaný v súlade s národnými predpismi.

Nepoužívajte klimatizáciu vo vlhkej miestnosti, ako je kúpeľňa alebo práčovňa.

Preprava, označovanie a skladovanie jednotiek

1. Preprava zariadení obsahujúcich horľavé chladivá
Dodržiavanie dopravných predpisov
2. Označenie zariadenia pomocou značiek
Dodržiavanie miestnych predpisov
3. Likvidácia zariadení využívajúcich horľavá chladivá
Dodržiavanie vnútroštátnych predpisov
4. Skladovanie zariadení / spotrebičov
Skladovanie zariadenia by malo byť v súlade s pokynmi výrobcu.
5. Skladovanie baleného (nepredaného) zariadenia
Ochrana zásobníka by mala byť skonštruovaná tak, aby mechanické poškodenie zariadenia vo vnútri obalu nespôsobilo únik náplne chladiva.
6. Maximálny počet kusov skladovaných na jednom mieste bude určený miestnymi predpismi.

ZVLÁŠTNE ODPORÚČANIA:

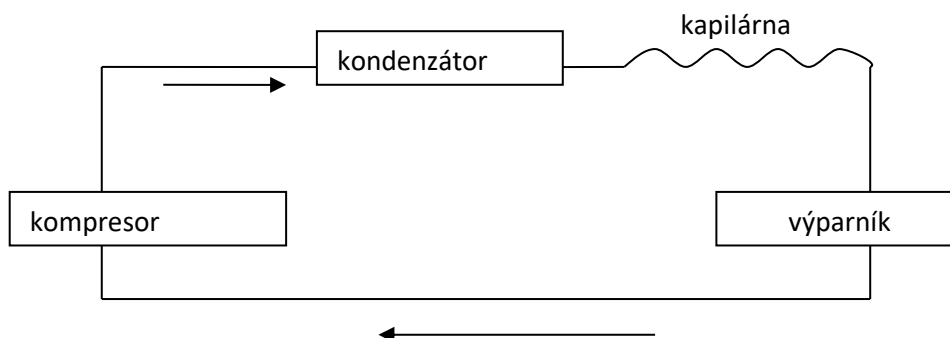
- Nainštalujte prenosnú klimatizáciu na rovnom mieste s veľkým priestorom, bez prekážok. Zanechajte 50cm minimálny priestor medzi prístrojom a stenou.
- Zástrčka musí byť vždy prístupná po jeho inštalácii.
- Prístroj umiestnite vždy vo zvislej polohe, aby bol zachovaný kompresor v dobrom stave.
- Nepoužívajte prístroj v blízkosti plynu alebo iných horľavých kvapalín.
- Neblokujte výstup vzduchu a vstupnú ventiláciu.
- Nepoužívajte aerosóly (insekticídy, farby), alebo iné horľavé produkty vedľa prístroja, pretože môže dôjsť k deformácii plastového obalu.

ZDROJE NAPÁJANIA

- Zástrčka musí byť dobre upevnená a nemala by byť poškodená.
- Nezapájajte spotrebič s adaptérom.
- Najskôr pripojte zariadenie k zdroju napájania a potom stlačte tlačidlo: ON/OFF

VÝROBCA nenesie žiadnu zodpovednosť v prípade nedodržania nariadení a pokynov tohto návodu. Tento návod na použitie dôkladne uchovajte pre neskoršiu potrebu.

Príloha

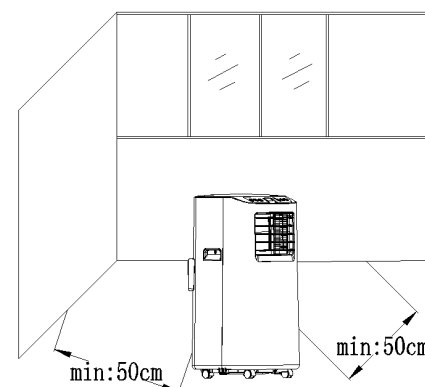


Parametre poistky
Typ: 5ET alebo SMT
Napätie: 250V
Prúd: 3.15A
Schematický diagram

Všetky technické a špecifické parametre nájdete na typovom štítku výrobku. Vzhľadom k neustálemu zdokonaľovaniu si vyhradujeme právo na zmenu niektorých prvkov bez predchádzajúceho upozornenia.

INŠTALÁCIA

Výber umiestnenia prístroja
Prístroj umiestnite na rovnú plochu a suchom mieste.
Nechajte aspoň 50 cm voľného priestoru všade okolo jednotky.



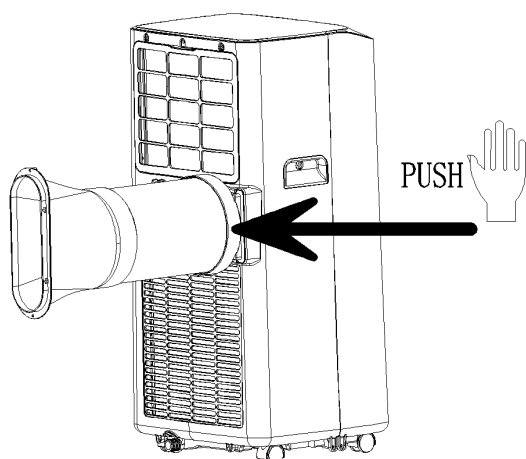
Obr. 1

Inštalácia

Upozornenie: Pred používaním mobilnej klimatizácie ju nechajte aspoň 2 hodiny vo vzpriamenej polohe.

Klimatizácia sa dá ľahko pohybovať v miestnosti. Pri pohybe sa uistite, že klimatizácia je vo vzpriamenej polohe a klimatizácia by mala byť umiestnená na rovnom povrchu. Neinštalujte a nepoužívajte klimatizáciu v kúpeľni alebo inom vlhkom prostredí.

1.1 Inštalácia tepelnej trubice (ako je uvedené na Obr.1)



- vytiahnite zostavu vonkajšieho konektora a zostavu výfukovej rúry a vyberte plastové vrecká;
- vložte zostavu tepelného potrubia (koniec výfukového spoja) do otvoru pre ventilátor zadného panelu (stlačte doľava) a dokončite zostavu (ako je znázornené na obrázku 2).

Pripevnite výfukové potrubie do adaptéra a potom pripievte druhú stranu výfukového potrubia do výstupu vzduchu pre vetranie. (Proti smeru hodinových ručičiek) Pripevnite adaptér do posuvného jazdca do okna, potom napoly otvorte okno, aby ste prispôbili šírku okna posuvnému jazdcovi. Dĺžka okenného jazdca je nastaviteľná.

Obr. 2

Montáž komponentov okenných tesniacich dosiek

1. Na polovicu otvorte okno a namontujte zostavu tesniacej dosky okien do okna (ako je znázornené na obr.3 a obr.4). Komponenty môžu byť umiestnené v horizontálnom a vertikálnom smere.
2. Vytiahnite rôzne súčasti zostavy okennej tesniacej dosky, nastavte ich vzdialenosť otvárania tak, aby oba konce zostavy boli v kontakte s okenným rámom a upevnite súčasti zostavy.

Inštalácia zostavy tesniacej dosky okien

Poznámky:

1. Plochý koniec spojov výfukovej rúry musí byť zachytený na mieste.
2. Rúra nemôže byť narušená ani mať podstatnú odbočku (väčšiu než 45 °). Dbajte na to, aby vetranie výfukového potrubia nebolo zablokované.

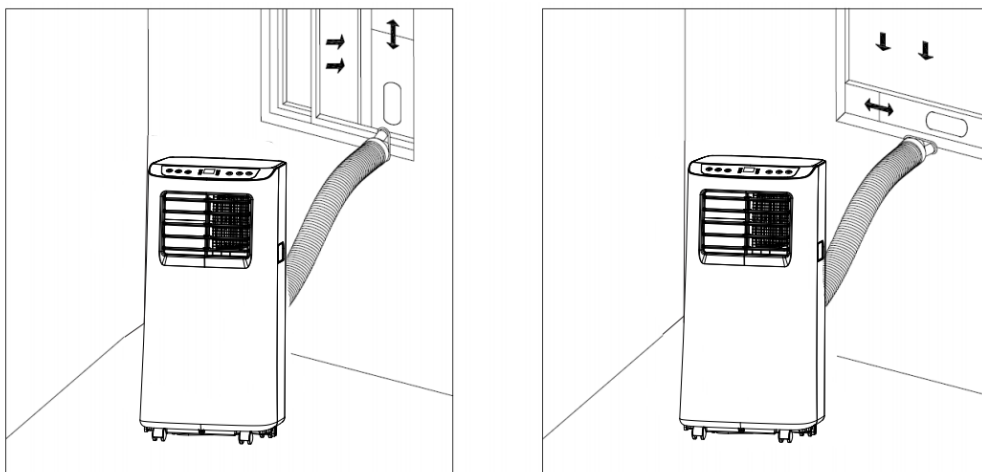


Obr. 3 a 4

Predĺžte výfukové potrubie a zalepte plochý koniec výfukových potrubí do otvoru zostavy tesniacej dosky okien (ako je znázornené na obr.5 a obr.6).

Poznámky:

1. Plochý koniec spojov výfukovej rúry musí byť zasunutý na miesto.
2. Rúra nemôže byť narušená ani mať podstatnú odbočku (väčšiu než 45 °). Dbajte na to, aby vetranie výfukového potrubia nebolo zablokované.



Obr. 5 a 6

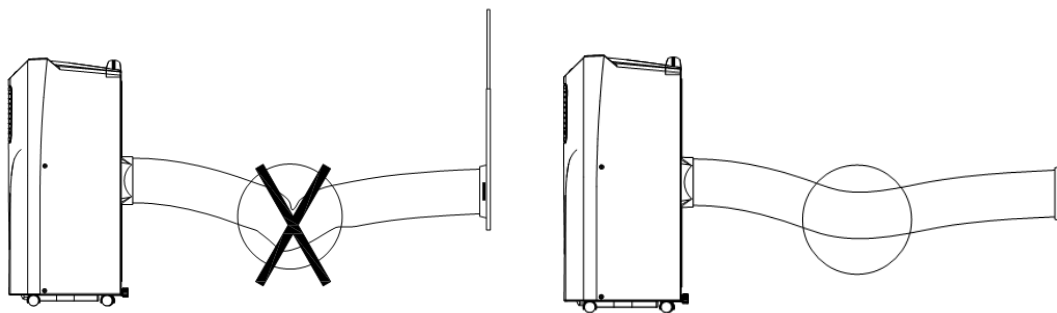
NESPRÁVNA MONTÁŽ

Ohyb výfukového potrubia je veľmi dôležitý.

Nesprávna montáž môže brániť správne mu pracovaniu prístroja.

Dbajte na to, aby ste sa vyhli ostrým prehybom alebo ohybom výfukového potrubia.

Odpadový(výfukový) vzduch musí voľne prúdiť.



VAROVANIE

Dĺžka výfukového potrubia je špeciálne navrhnutá podľa špecifikácie tohto produktu. Nemeňte ani predlžujte potrubie iným, vlastným, pretože to by mohlo spôsobiť poruchu prístroja.

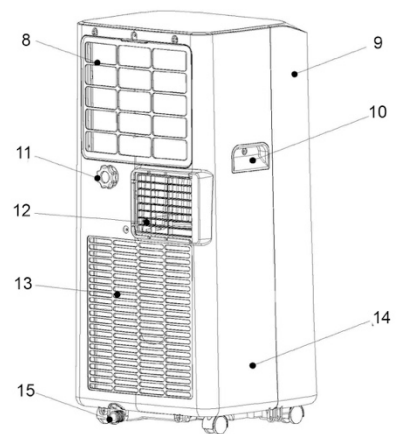
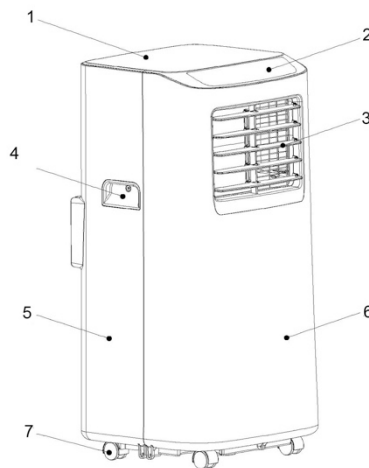
POZOR: Používajte najkratšiu možnú dĺžku, ktorá je 280 - 1500 mm. Pri montáži odporúčame držať výfukové potrubie vo vodorovnej polohe.

Dôležitá poznámka:

Dĺžka výfukovej hadice musí byť 280 až 1500 mm a táto dĺžka je založená na špecifikáciách klimatizácie. Nepoužívajte predlžovacie trubice ani ich nemeňte inými rozdielnymi hadicami, čo môže spôsobiť poruchu. Výstup vzduchu nesmie byť zablokovaný; inak môže dôjsť k prehriatiu.

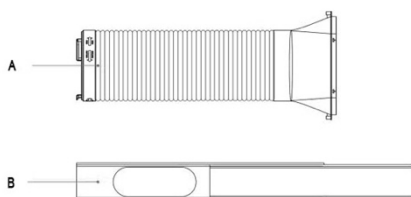
ČASTI A ICH NÁZVY

1. Vrchný kryt
2. Ovládací panel
3. Výstupný otvor pre vzduch
4. Držiak
5. Zadný obal
6. Predný obal
7. Kolieska
8. Filter EVA
9. Predný obal
10. Držiak
11. Drenážny otvor
12. Vzduchová ventilácia
13. Filter CON
14. Zadný obal
15. Vypúšťací otvor/gumová zátka



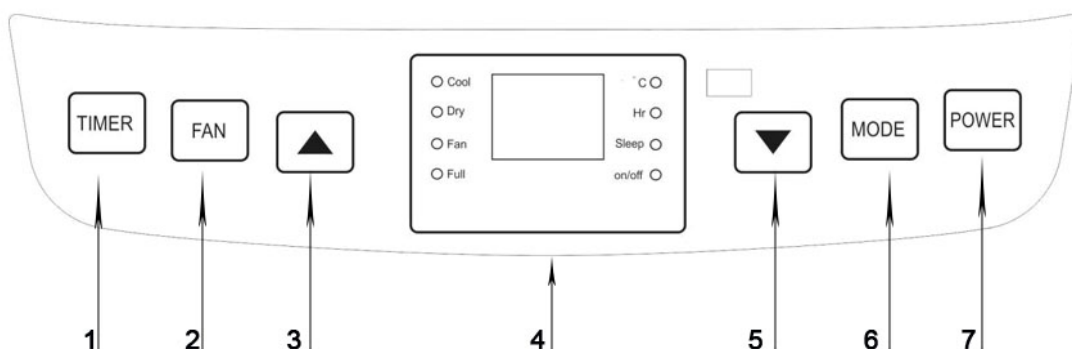
Skontrolujte, či balenie obsahuje všetko príslušenstvo, informácie o ich použití nájdete v pokynoch pre inštaláciu.

PRÍSLUŠENSTVO



- A. Výfukové trubky
B. Adaptér /posuvná prechodka

OVLÁDACÍ PANEL



1. Tlačidlo TIMER
2. Tlačidlo FAN
3. Tlačidlo Up
4. Displej
5. Tlačidlo Down
6. Tlačidlo Mode
7. Tlačidlo POWER

Keď sa zariadenie prvýkrát zapne, bzučiak prehrá melódiu pri zapnutí a zariadenie sa dostane do pohotovostného stavu.

2: Tlačidlo POWER: stlačte toto tlačidlo pre zapnutie / vypnutie prístroja. V prípade, že prístroj je zapnutý, stlačte tlačidlo pre vypnutie zariadenia; v prípade, že prístroj je vypnutý, stlačte tlačidlo pre zapnutie prístroja. Po zapnutí prístroja je prednastavená funkcia prístroja režim chladenia s nízkou rýchlosťou ventilátora.

3: Tlačidlo MODE: stlačte toto tlačidlo pre voľbu: chladenie, režim odvlhčovania a režim ventilátora.

4: UP alebo DOWN: stlačte tieto tlačidlá pre nastavenie vyššej alebo nižšej teploty chladiacej jednotky alebo časovania.

Počas nastavovania teploty, stlačte klávesy nahor alebo nadol, čím zvolíte požadovanú teplotu (možnosť nie je k dispozícii v režimoch „prívod vzduchu“ alebo v režime odvlhčovania). Pre nastavenie času, stlačte klávesy nahor alebo nadol pre výber želaného času.

5. Tlačidlo FAN: stlačte toto tlačidlo pre výber vysokých / nízkych otáčok ventilátora.

V režime odvlhčovania je stlačenie tlačidla neefektívne, keďže ventilátor zvolí sám nižšiu rýchlosť fúkania.

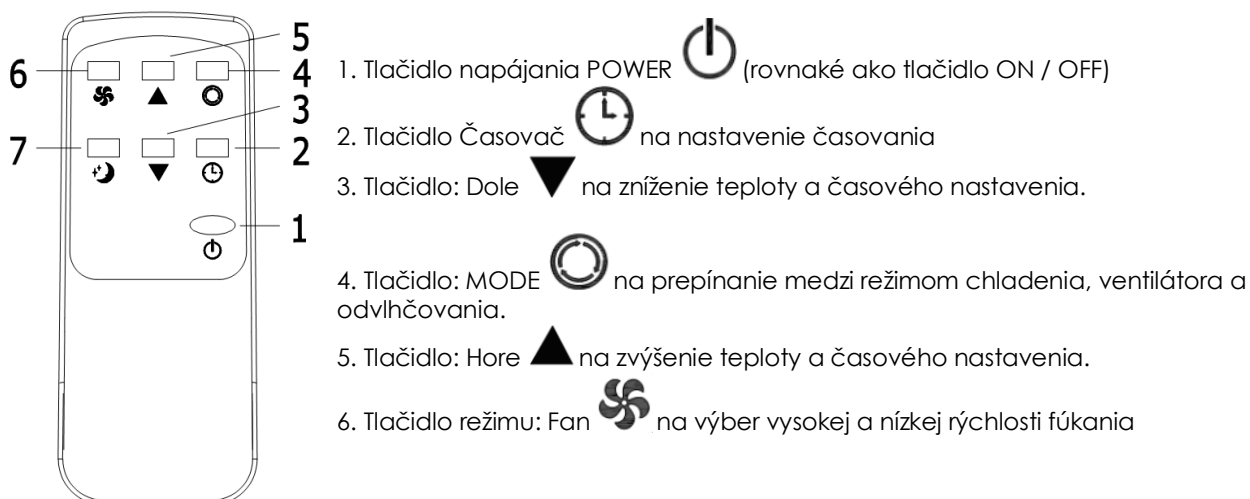
6. Tlačidlo TIMER (časovač): pri stand-by time Toto tlačidlo slúži na nastavenie automatického času; časovač: v úspornom režime toto tlačidlo nastavuje čas zapnutia, ak je spotrebič zapnutý, tlačidlo nastavuje čas automatického vypnutia. Časové hodnoty môžu byť nastavené medzi 1 až 24 hodín a hodnota časovanie je posúvaná v hodinových intervaloch.

7: Režim spánku:

V režime chladenia stlačte klávesy UP a Fan Key na zapnutie režimu spánku, potom zariadenie bude pracovať na úsporných a tichých hodnotách.

DIAĽKOVÉ OVLÁDANIE

Pokyny na obsluhu diaľkového ovládania sú nasledujúce:



7. Tlačidlo Sleep  na zapnutie režimu spánku.

Rôznorodosť OCHRANNÝCH FUNKCIÍ

Funkcia ochrany proti zamrznutiu:

Ak sa prístroj nachádza v režime chladenia, odvlhčovania alebo v režime ekonomického šetrenia energie a teplota v špirálovom potrubí je príliš nízka, tak sa prístroj automaticky prepne do ochranného režimu; ak teplota v špirálovom potrubí stúpne na určitú teplotu, tak sa prístroj vráti do normálneho režimu.

Funkcia ochrany proti pretečeniu:

Ak voda v nádobe na vodu presiahne maximálnu úroveň naplnenia, tak prístroj automaticky spustí alarm a na LDC teplotnom displeji sa ukáže "FL" znak. V tomto okamihu musíte odstrániť drenážnu hadicu, ktorá spája prístroj alebo otvor pre vývod vody s kanálom alebo s iným drenážnym miestom, aby ste mohli vyprázdniť nádobu na vodu (podrobný popis nájdete na konci tejto kapitoly v odseku Drenážne inštrukcie). Akonáhle je nádobu na vodu vyprázdnená, tak sa prístroj vráti do svojej pôvodnej funkcie.

Automatická funkcia ochrany proti prehriatiu:

Aby sa zaistila dlho-životnosť prístroja, tak má prístroj v režime vykurovania automatickú funkciu ochrany proti prehriatiu. Počas tejto ochrannej doby prístroja sa vypne kompresor a spodný motor. Akonáhle sa prístroj zotaví, tak sa automaticky vráti do normálneho režimu vykurovania.

Automatické rozmrazovanie (chladiace modely majú túto funkciu): Stroj má funkciu automatického rozmrazovania. Rozmrazovanie sa dá dosiahnuť štvorcestným reverzovaním ventilu.

Funkcia ochrany kompresora:

Aby sa zvýšila životnosť kompresora, tak má kompresor po jeho vypnutí funkciu pomalého vypnutie s 3 min. oneskorením.

DRENÁŽ VODY

Tento produkt má samo-odparovací systém. Kondenzačná voda sa recykluje a použije na chladenie kondenzátora. Toto nielen zvýši účinnosť chladenia, ale aj šetrí Vašu energiu.

- Ak je vnútorná voda je plná, na displeji sa zobrazí „FL“ a 8 sekúnd neskôr sa prístroj prepne do pohotovostného režimu, ozve sa akustický signál, kompresor prestane pracovať, pričom sú všetky tlačidlá nefunkčné, až dokým sa prístroj nevráti do normálu.

Ak prístroj pozastaví svoju činnosť, lebo nádobu na vodu je plná, tak prístroj vypnite a vytiahnite zástrčku zo zásuvky.

Poznámka: Prosíme Vás, aby ste s prístrojom narábali-hýbali opatrne, aby ste tak zabránili vyliatiu vody z nádoby na dno prístroja.

Umiestnite nádobu na vodu pod bočný otvor pre výtok vody, ktorý sa nachádza za telesom prístroja.

Odskrutkujte drenážny kryt a odnímite vodnú zátku, pričom voda potom automaticky vytečie do nádoby na vodu.

Poznámka:

Starostlivo si drenážny kryt a vodnú zátku uschovajte.

Počas drenáže sa môže prístroj jemne nakláňať dozadu.

Ak už nádobu na zachytávanie vody nemôže pohltiť všetku vytekajúcu vodu, tak včasne, prv než bude nádobu úplne plná, utesnite odtokový otvor vodnou zátkou, aby ste tak zabránili vyliatiu vody na dlážku alebo na koberec.

Akonáhle je všetka voda vypustená, tak do výtokového otvoru vložte vodnú zátku a utesnite drenážny kryt.

Poznámka: 1. Po nainštalovaní vodnej zátky a drenážneho krytu prístroj zreštartujte, ináč bude skondenzovaná voda z prístroja vytekať na dlážku alebo na koberec.

Pokyny pre odvodnenie

Tento stroj má dve odvodňovacie metódy: manuálne odvodnenie a kontinuálne odvodnenie.

A. Manuálne odvodnenie:

- 1) Keď sa zariadenie zastaví po naplnení vody, vypnite napájanie zariadenia a odpojte sieťovú zástrčku.

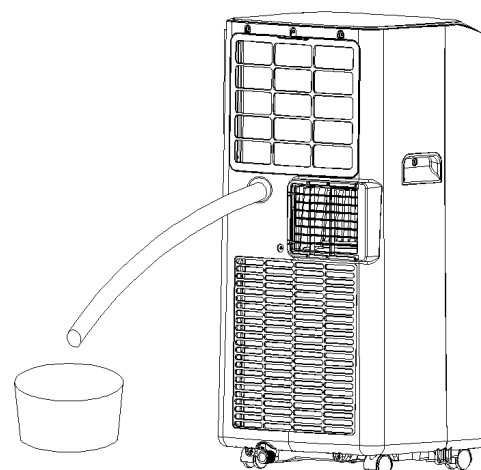
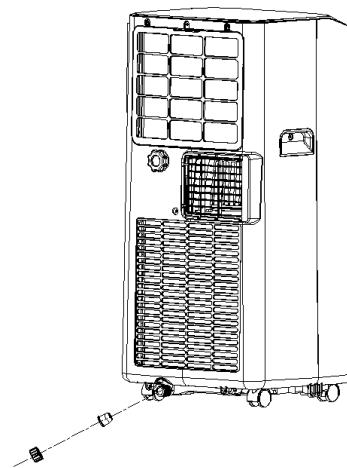
Poznámka: Stroj opatrne posúvajte, aby nedošlo k úniku vody vo vodnej nádobe na dne tela.

- 2) Nádrž na vodu postavte pod bočný vývod vody za telesom.
- 3) Odskrutkujte odtokový kryt a odpojte vodovodnú zástrčku, voda sa automaticky dostane do nádoby na vodu.

Poznámky:

Zásobník a vodnú zástrčku udržiavajte správne.

Počas odtoku sa teleso môže nakloniť mierne dozadu.



Ak nádobu na vodu nedokáže udržať všetku vodu, predtým, než sa zásobník na vodu naplní, čo najskôr vypustíte vodovodný uzáver s vodným uzáverom, aby ste zabránili uniknutiu vody na podlahu alebo koberec. Keď je voda vytečená, vložte vodovodnú zátku a utiahnite odtokový kryt.

Priebežná drenáž (nastaviteľná len v režime chladenia alebo odvlhčovania), ako je ukázané na obrázkoch: Odskrutkujte drenážny kryt a vyberte vodnú zátku.

Vsadte drenážnu trubicu do výtokového otvoru prístroja .

Prepojte drenážnu trubicu s nádobou na zachytávanie vody.

B. Kontinuálne odvodnenie (Voliteľné) (platí len pre režim odvlhčovania), ako je znázornené na obrázku:

- 1) Odskrutkujte odtokový kryt a odpojte vodovodnú zástrčku.
- 2) Odtokovú hadicu nastavte do zásuvky na vodu.
- 3) Pripojte odtokovú hadicu k vedierku.

ÚDRŽBA

Poznámka: Vypnite prístroj a odpojte ho pred vykonávaním údržby alebo opravami, aby sa predišlo úrazu elektrickým prúdom.

Čistenie

- Vyčistíte kryt mäkkou vlhkou handričkou. Nepoužívajte chemické rozpúšťadlá (ako je benzén, alkohol, benzín). Povrch tak môžete poškodiť, alebo dokonca celý obal by mohol byť deformovaný.
- Vyhnite sa striekanej vode v blízkosti prístroja

EVA Vzduchový filter

- Vyčistíte vzduchový filter každé 2 týždne. Ak je vzduchový filter upchatý prachom, zníži sa jeho účinnosť.
- Objímte oboma rukami klinový držiak mriežky EVA filtra. Zatlačte zvonku, aby ste mohli odňať EVA rám držiaka filtra. Odskrutkujte 4 skrutky, ktoré istia držiak EVA filtra a zadný kryt a následne odnímate EVA držiak filtra (tak, ako je ukázané hore na obrázku).
- Umyte vzduchový filter ponorením ho jemne do teplej (asi 40°C) vody s neutrálnym čistiacim prostriedkom, následne ho opláchnite a osušte ho dôkladne na tienistom mieste.

Vyčistíte spodnú časť držiaka rámu filtra

Uchopte rukoväť CON rámu držiaka filtra a následne ho jemne vytiahnite smerom von, aby ste rám CON držiaka filtra vybrali von z prístroja.

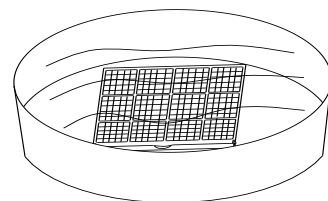
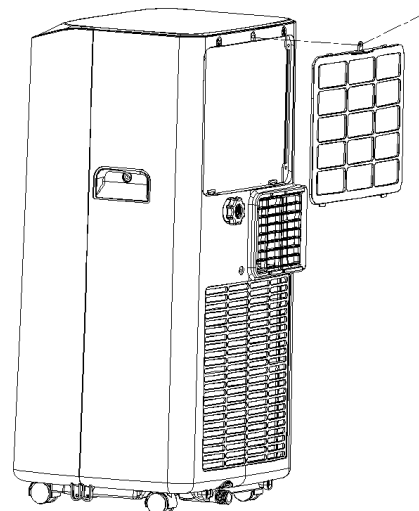
- Vložte CON držiak filtra do teplej vody s neutrálnym čistiacim prostriedkom (teplota vody by mala mať okolo 40 °C / 104 °F) , následne ho opláchnite a nechajte v tieni vyschnúť.

Čistenie sieťka filtra

Ak je sieťka filtra upchaté prachom a účinnosť klimatizácie je znížená, vyčistíte sieťku filtra raz za dva týždne.

Čistenie horného rámu filtra

- 1) Odskrutkujte skrutku upevnenú sieťovou filtračnou sieťou EVA v zadnej časti pomocou skrutkovača a vytiahnite sieťovú filtračnú sieť EVA.
- 2) Vložte filter EVA do teplej vody s neutrálnym čistiacim prostriedkom (asi 40 °C / 104 °F) a po opláchnutí ju vysušte v tieni.



Koniec sezóny

Ak nebudete prístroj po dlhšiu dobu používať, tak postupujte prosím nasledovne:

- Prosím, vypustíte všetku vodu.
- Nechajte prístroj v režime ventilátora po dobu niekoľkých hodín, kým sa vnútro jednotky úplne nevysuší.
- Vypnite prístroj a odpojte ho, oviňte elektrickú prírodnú šnúru o kolík; nainštalujte vodnú zátku a drenážny kryt. .
- Vyčistíte vzduchový filter, nechajte ho potom dôkladne uschnúť a nainštalujte ho znovu.
- Vyberte výfukové potrubia a uschovajte ich starostlivo.
- Zabalte jednotku do plastového vrečka a uložte ju na suchom mieste.
- Odstráňte z diaľkového ovládača batérie a starostlivo ich uskladnite.

Poznámka: Uistite sa, že teleso prístroja je uskladnené na suchom mieste a že i všetko príslušenstvo prístroja je starostlivo uskladnené.

RIEŠENIE PROBLÉMOV

1. Informácie o servise

1) Kontroly na území

Pred začatím prác na systémoch obsahujúcich horľavé chladivá sú potrebné bezpečnostné kontroly, aby sa minimalizovalo riziko vznietenia. Pri opravách chladiaceho systému musia byť pred vykonaním prác na systéme dodržané nasledujúce bezpečnostné opatrenia.

2) Pracovný postup

Práca sa vykoná kontrolovaným postupom, aby sa minimalizovalo riziko prítomnosti horľavého plynu alebo pary počas vykonávania prác.

3) Všeobecná pracovná oblasť

Všetci pracovníci údržby a iní pracovníci v miestnej oblasti musia byť poučení o charaktere vykonávanej práce. Treba sa vyhnúť práci v uzavretých priestoroch. Oblasť okolo pracovného priestoru sa oddelí. Zabezpečte, aby boli podmienky v danej oblasti bezpečné na ovládanie horľavého materiálu.

4) Kontrola prítomnosti chladiva

Táto oblasť sa musí skontrolovať s vhodným detektorom chladiva pred a počas práce, aby sa zabezpečilo, že technik pozná potenciálne horľavé atmosféry. Zabezpečte, aby bolo zariadenie na detekciu netesností vhodné na použitie s horľavými chladivami, t. j. bez iskrenia, primerane utesnené alebo vnútorne bezpečné.

5) Prítomnosť hasiaceho prístroja

Ak sa majú na chladiarenskom zariadení alebo akýchkoľvek súvisiacich častiach vykonať nejaké práce za tepla, musí byť k dispozícii vhodné zariadenie na hasenie požiaru. Musíte mať k dispozícii suchý prášok alebo hasiaci prístroj CO₂.

6) Žiadne zdroje vznietenia

Žiadna osoba vykonávajúca prácu vo vzťahu k chladiacemu systému, ktorá zahŕňa vystavenie akejkoľvek práce na potrubí, ktorá obsahuje alebo obsahovala horľavé chladivo, nesmie používať žiadne zdroje vznietenia takým spôsobom, že môže viesť k nebezpečenstvu požiaru alebo výbuchu. Všetky možné zdroje vznietenia vrátane fajčenia cigariet by sa mali udržiavať dostatočne ďaleko od miesta inštalácie, opravy, odstraňovania a zneškodňovania, počas ktorého sa môže do okolitého priestoru uvoľniť horľavé chladivo. Pred vykonaním práce sa musí priestor okolo zariadenia preskúmať, aby sa predišlo nebezpečenstvu horľavosti alebo zápalu. musí byť nápis "Zákaz fajčenia".

7) Vetraná oblasť

Zabezpečte, aby bolo zariadenie na otvorenom priestranstve alebo aby bolo dostatočne vetrané predtým, než sa vnikne do systému alebo sú vedené horúce pary. Vetranie musí pokračovať počas obdobia, v ktorom sa práca vykonáva. Vetranie by malo bezpečne rozptýliť akéhokoľvek uvoľnené chladivo a prednostne ho vylúčiť do atmosféry.

8) Kontrola chladiaceho zariadenia

Pri výmene elektrických súčiastok musia byť vhodné pre daný účel a pre správnu špecifikáciu. Vždy sa dodržiavajú pokyny výrobcu týkajúce sa údržby a servisu. Ak máte pochybnosti, poraďte sa s technickým oddelením výrobcu.

Na zariadenia, ktoré používajú horľavé chladiace prostriedky, sa musia vykonať tieto kontroly:

- Veľkosť napájania je v súlade s veľkosťou miestnosti, do ktorej sú inštalované časti obsahujúce chladivo;
- Ventilačné zariadenie a výstupy pracujú dostatočne a nie sú poškodené;
- Ak sa používa nepriamy chladiaci okruh, sekundárny okruh musí byť skontrolovaný na prítomnosť chladiva;
- Značenie na zariadení je vždy viditeľné a čitateľné. Označenia a znaky, ktoré nie sú čitateľné, musia byť opravené;
- Chladiaca rúra alebo komponenty sú inštalované v takej polohe, v ktorej je nepravdepodobné, že by boli vystavené akejkoľvek látke, ktorá môže korodovať zložky obsahujúce chladivo, pokiaľ nie sú komponenty konštruované z materiálov, ktoré sú neodmysliteľne odolné voči korodovaniu alebo sú vhodne pred tým chránené.

9) Kontroly elektrických zariadení

Oprava a údržba elektrických komponentov zahŕňa počiatočné bezpečnostné kontroly a postupy kontroly komponentov. Ak existuje porucha, ktorá by mohla ohroziť bezpečnosť, nesmie byť k okruhu pripojená žiadna elektrická prípojka, kým nebude uspokojivo riešená. Ak sa chyba nedá okamžite odstrániť, ale je potrebné pokračovať v jej prevádzke, použije sa primerané dočasné riešenie. Toto sa oznámi majiteľovi zariadenia, aby všetkým stranám bolo poskytnuté poradenstvo.

Počiatočné bezpečnostné kontroly musia obsahovať:

- Kondenzátory sa vybijú: musí to byť vykonané bezpečným spôsobom, aby nedošlo k iskreniu;
- Aby počas nabíjania, zostavovania alebo vyčistenia systému neostali žiadne elektrické komponenty a elektrické vedenia aktívne;
- Zariadenie musí byť pripojené na uzemnenú elektrickú zástrčku.

3. Opravy utesnených komponentov

1) Počas opravy utesnených komponentov sa všetky elektrické spotrebiče musia odpojiť od zariadenia, na ktorom sa spracuje, pred odstránením zapečatených krytov atď. Ak je pri servise potrebné elektrické napájanie zariadenia, potom sa trvalo fungujúca forma detekcie úniku nachádza v najkritičnejšom bode, aby varoval pred potenciálne nebezpečnou situáciou.

2) Osobitná pozornosť sa musí venovať nasledujúcim skutočnostiam, aby sa zabezpečilo, že pri prácach na elektrických súčiastkach nie je obal poškodený takým spôsobom, že by bola ovplyvnená úroveň ochrany. Patrí sem poškodenie káblov, nadmerný počet pripojení, svorky, ktoré neboli vyrobené podľa pôvodnej špecifikácie, poškodenie tesnení, nesprávne namontovanie tesnení atď.

Zabezpečte, aby bol prístroj bezpečne namontovaný.

Zabezpečte, aby tesnenia alebo tesniace materiály neboli poškodené tak, aby už nespĺňali účel zabránenia vniknutiu horľavých atmosfér. Náhradné diely musia byť v súlade so špecifikáciami výrobcu.

POZNÁMKA: Použitie silikónového tmelu môže zabrániť účinnosti niektorých typov zariadení na detekciu netesností. Vlastné bezpečné súčiastky nemusia byť izolované pred tým, než sa na nich pracuje.

3. Opravy vnútorných bezpečnostných komponentov

Nepoužívajte trvalé indukčné alebo kapacitné zaťaženie do obvodu bez toho, aby bolo zaistené, že nebude prekračovať povolené napätie a prúd sú povolený pre zariadenia v prevádzke.

Iskrovo bezpečné komponenty sú jediné typy, ktoré môžu pracovať, zatiaľ čo sú v prítomnosti horľavej atmosféry. Skúšobné zariadenie musí mať správny pomer hodnôt. Vymeňte komponenty iba za časti určené výrobcom. Ďalšie časti môžu spôsobiť vzplanutie chladiaceho média v atmosfére z netesností.

4. Kabeláž

Skontrolujte, či kabeláž nebude vystavená opotrebovaniu, korózii, nadmernému tlaku, vibráciám, ostrým okrajom alebo iným nepriaznivým účinkom na životné prostredie. Kontrola musí tiež brať do úvahy účinky starnutia alebo kontinuálnych vibrácií zo zdrojov, ako sú kompresory a ventilátory.

5. Detekcia horľavých chladív

Za žiadnych okolností sa pri hľadaní alebo zisťovaní úniku chladiva nesmú použiť potenciálne zdroje vznietenia. Nesmie sa používať halogenidový horák (alebo akýkoľvek iný detektor používajúci otvorený plameň).

6. Metódy detekcie únikov

Nasledujúce metódy detekcie úniku sa považujú za prijateľné pre systémy obsahujúce horľavé chladiace prostriedky.

Elektronické detektory úniku sa používajú na detekciu horľavých chladív, ale citlivosť nemusí byť primeraná alebo môže vyžadovať opakovanú kalibráciu. (Detektor musí byť kalibrovaný v oblasti bez chladiaceho média.) Uistite sa, že detektor nie je potenciálnym zdrojom zapálenia a je vhodný pre používané chladivo. Zariadenie na detekciu únikov sa nastaví na percentuálnu hodnotu LFL chladiaceho média a kalibruje sa na použitý chladivý a príslušné percento plynu (maximálne 25%).

Kvapaliny na zisťovanie netesností sú vhodné na použitie s väčšinou chladív, ale použitiu detergentov obsahujúcich chlór sa musí zabrániť, pretože chlór môže reagovať s chladivom a korodovať medené potrubie. Ak existuje podozrenie na netesnosť, všetky otvorené plamene musia byť odstránené / zhasnuté.

Ak sa zistí únik chladiaceho média, ktorý si vyžaduje tvrdé spájkovanie, všetko chladivo sa musí získať zo systému alebo izolovať (pomocou uzavieracích ventilov) v časti systému vzdialenej od úniku. Dusík bez obsahu kyslíka (OFN) sa potom prečistí systémom pred a počas procesu spájkovania.

7. Demontáž a evakuácia

Pri prerušení kontinuity okruhu chladiva na opravy - alebo na akýkoľvek iný účel - sa používajú štandardné postupy. Je však dôležité, aby sa dodržiavali osvedčené postupy, pretože sa zohľadňuje horľavosť. Dodržiava sa nasledovný postup:

- Odstráňte chladivo.
- Okruh vyfúknite inertným plynom.
- Vyprázdňte zariadenie.
- Opätovne vyčistite inertným plynom.
- Otvorte obvod rezaním alebo spájkovaním.

Náplň chladiva sa musí zotaviť do príslušných obnovovacích valcov. Systém musí byť "prepláchnutý" s OFN, aby sa zariadenie mohlo zabezpečiť. Tento proces môže byť potrebné opakovať niekoľkokrát. Na tento účel sa nesmie použiť stlačený vzduch alebo kyslík.

Prepláchnutie sa dosiahne prerušením podtlaku v systéme s OFN a pokračovaním v naplňovaní, kým sa nedosiahne pracovný tlak, potom sa vypustí do atmosféry a nakoniec sa vytiahne do vákuua. Tento proces sa musí opakovať dovtedy, kým sa v systéme nenachádza žiadne chladivo. Keď sa použije posledný náboj OFN, systém sa odvdzušní do atmosférického tlaku, aby sa umožnila práca. Táto operácia je absolútne nevyhnutná, ak sa má vykonávať spájkovanie na potrubí.

Uistite sa, že výstup pre vákuové čerpadlo nie je blízko k žiadnym zdrojom zapáľovania a je k dispozícii vetranie.

8. Postupy nabíjania

Okrem konvenčných postupov spoplatňovania sa musia dodržiavať tieto požiadavky.

– Zabezpečte, aby pri používaní nabíjacieho zariadenia nedošlo ku kontaminácii rôznych chladív. Hadice alebo potrubia musia byť čo najkratšie, aby sa minimalizovalo množstvo chladiaceho prostriedku, ktorý sa v nich nachádza.

- Flaše sa musia uchovávať v zvislej polohe.
 - Uistite sa, že chladiaci systém je uzemnený pred nabíjaním systému chladiacim médiom.
 - Označte štítok systému po dokončení nabíjania (ak ešte nebolo označené).
 - Musí sa venovať mimoriadna pozornosť tomu, aby sa chladiaci systém nepreplňoval.
- Pred nabitím systému sa musí skúšať tlakom s OFN. Systém musí byť testovaný po dokončení nabíjania, ale pred uvedením do prevádzky. Následná skúška netesnosti sa vykoná pred opustením miesta naplňovania.

9. Likvidácia

Pred vykonaním tohto postupu je dôležité, aby bol technik plne oboznámený so zariadením a všetkými jeho podrobnosťami. Odporúča sa správna prax, aby sa všetky chladivá dostali do bezpečia. Pred dokončením úlohy by sa mala odobrať vzorka oleja a chladiwa v prípade, že je potrebné vykonať analýzu pred opätovným použitím regenerovaného chladiwa.

Pred spustením úlohy je dôležité, aby bolo k dispozícii elektrické napájanie.

- a) Zoznámte sa so zariadením a jeho prevádzkou.
- b) Elektrický systém izolujte.
- c) Pred začatím postupu sa uistite, že:
 - V prípade potreby je k dispozícii mechanické manipulačné zariadenie na ovládanie valcov chladiwa;
 - všetky osobné ochranné prostriedky sú dostupné a správne používané;
 - Proces obnovy je vždy kontrolovaný kompetentnou osobou;
 - Zariadenia na obnovu a valce spĺňajú príslušné normy.
- d) Ak je to možné, vyprázdňte chladiaci systém.
- e) Ak nie je možné vypustenie, zberač musí byť vyrobený tak, aby bolo možné chladiwo odstrániť z rôznych častí systému.
- f) Presvedčte sa, či je valec umiestnený na váhach predtým, než sa zotaví.
- g) Spustíte zariadenie na obnovu a postupujte podľa pokynov výrobcu.
- h) Nepreplňujte valce. (Nie viac ako 80% objemu kvapaliny).
- i) Neprekračujte maximálny prevádzkový tlak valca, a to ani dočasne..
- j) Po správnom naplnení valcov a dokončení procesu sa ubezpečte, že sú valce a príslušenstvo rýchlo odstránené z miesta inštalácie a všetky uzatváracie ventily na prístroji sú zatvorené.
- k) Recyklované chladiwo by sa nemalo nabíjať do iného chladiaceho systému, pokiaľ nebolo vyčistené a skontrolované.

10. Označovanie

Zariadenie musí byť označené štítkom o tom, že bol vyradený z prevádzky a bol vyprázdnený z chladiaceho média. Štítok musí byť datovaný a podpísaný. Uistite sa, že zariadenie má štítky, ktoré označujú, že zariadenie obsahuje horľavé chladiwo.

11. Obnova

Pri odstraňovaní chladiwa zo systému na údržbu alebo likvidáciu sa odporúča, aby boli všetky chladiace média bezpečne odstránené.

Pri prenose chladiaceho média do valcov by sa mali používať iba vhodné valce na rekuperáciu chladiwa. Uistite sa, že je správny počet fliaš na uloženie celkového zaťaženia systému. Všetky použité valce sú určené pre znovuzískané chladiwo a sú označené týmto chladivom (t.j. špeciálnymi valcami na obnovu chladiaceho média). Valce by mali byť vybavené poistným ventilom a príslušnými uzatváracími ventilmi v dobrom technickom stave. Prázdne zberné flaše sa vyprázdnia a ak je to možné, ochladia sa pred obnovou.

Zariadenie na zhodnocovanie musí byť v dobrom prevádzkovom stave so sústavou pokynov týkajúcich sa vybavenia, ktoré je k dispozícii a musí byť vhodné na obnovu horľavých chladiw. Okrem toho musí byť k dispozícii súprava kalibrovaných váh a v dobrom prevádzkovom stave. Hadice musia byť vybavené spojkami na odpojenie bez úniku a v dobrom stave. Pred použitím zberného zariadenia skontrolujte, či je zariadenie v uspokojivej prevádzke, či je správne udržiavané a či sú všetky príslušné elektrické komponenty utesnené, aby sa zabránilo vznieteniu v prípade uvoľnenia chladiwa. V prípade pochybností sa obráťte na výrobcu.

Obnovené chladiwo musí byť vrátené dodávateľovi chladiaceho prostriedku do správneho obnovovacieho zásobníka a musí byť zriadená príslušná poznámka o preprave odpadu. Nemiešajte chladiace prostriedky v jednotkách na regeneráciu a hlavne nie vo fľašiach.

Ak sa majú kompresory alebo kompresorové oleje odstrániť, dbajte na to, aby boli evakuované na prijateľnú úroveň, aby sa zabezpečilo, že horľavé chladiwo nezostane v mazive. Proces evakuácie sa musí vykonať pred vrátením kompresora dodávateľom. Na urýchlenie tohto procesu sa použije iba elektrický ohrev na telo kompresora. Proces vypúšťania oleja z kompresora sa musí vykonať bezpečne.

RIEŠENIE PROBLÉMOV


Problém	Príčina	Riešenie
Klimatizácia nefunguje.	Bez napájania.	Zapojte na el. sieť a zapnite prístroj.
	Bliká "FL" na displeji.	Vypustite vodu.
	Izbová teplota je príliš nízka alebo príliš vysoká	Odporúčame Vám používať prístroj v teplotnom rozmedzí medzi 7 a 35°C (44-95°F).
	Počas režimu chladenia je izbová teplota nižšia ako teplota, ktorá je nastavená; počas režimu vykurovania je izbová teplota vyššia ako teplota, ktorá je nastavená.	Zmeňte nastavenie teploty.
Klimatizácia sa často reštartuje.	Priístroj je vystavený priamemu slnečnému žiareniu.	Zatiahnite záclony.
	Okná a dvere sú otvorené, príliš veľa ľudí v miestnosti alebo sa nachádza zdroj tepla v priestore.	Zatvorte okná a dvere, odstráňte zdroj tepla.
	Špinavý filter	Vyčistite alebo vymeňte filter (filtre).
	Prívod vzduchu alebo výfuk vzduchu je blokovaný.	Odstráňte upchatie.
Jednotka je príliš hlučná.	Priístroj stojí nerovnomerne. Umiestnite ho na rovnom, pevnom povrchu (menej vibrácií).	Umiestnite ho na rovnom, pevnom povrchu (menej vibrácií).
Kompresor nepracuje.	Seba ochrana kompresora	Počkajte 3 minúty a reštartujte znova po poklese teploty
Dialkový ovládač nefunguje.	Vzdialenosť medzi diaľkovým ovládačom a prístrojom je príliš veľká.	Podíďte s diaľkovým ovládačom bližšie ku klimatizácií a uistite sa, že diaľkový ovládač smeruje na prístrojový prijímač diaľkového ovládača.
	Dialkový ovládač nie je správne nasmerovaný na prístrojový prijímač.	
Ukazuje 'E1'.	Batérie sú prázdne.	Vymeňte batérie.
	Senzor hadice vykazuje neobvyklú teplotu.	Skontrolujte teplotný senzor hadice a s ním súvisiaci obvod .
Ukazuje 'E2'	Senzor izbovej teploty vykazuje neobvyklú teplotu.	Skontrolujte teplotné izbový senzor a s ním súvisiaci obvod.



Upozornenie: Vypnite jednotku a odpojte ju okamžite od el. siete, ak sa niečo neočakávané stane. Potom sa obráťte na kvalifikovaného elektrikára.

OCHRANA ŽIVOTNÉHO PROSTREDIA – SMERNICA 2002/96

Kvôli ochrane nášho životného prostredia a ľudského zdravia by sa mal odpad z elektrických a elektronických zariadení likvidovať v súlade so špecifickými pravidlami so zapojením sa dodávateľov aj používateľov. Z tohto dôvodu, ako

signalizuje symbol  na štítku s menovitými údajmi alebo na obale, by ste toto zariadenie nemali vyhadzovať spolu s netriedeným komunálnym odpadom. Používateľ má právo priniesť výrobok na zberné miesto komunálneho odpadu, ktoré vykonáva recykláciu odpadu prostredníctvom opätovného použitia, recyklácie alebo použitia na iné účely v súlade so smernicou.

Návod na použitie, záručné vyhlásenie a servis

Vážený zákazník,
aby Vám Váš elektrospotrebič slúžil čo najlepšie, pozorne si pred jeho prvým uvedením do prevádzky prečítajte celý návod na použitie. Tento elektrospotrebič bol riadne preskúšaný. Predávajúci Vám poskytuje záručnú dobu v trvaní **2 rokov** od dátumu jeho zakúpenia. V tejto dobe odstránime bezplatne všetky závady a nedostatky, ktoré podstatne obmedzujú jeho funkciu a ktoré prekážateľne vznikli vadou materiálu alebo nedostatkami pri výrobe. Závady odstránime podľa nášho uváženia opravou alebo výmenou vadnej časti prístroja. Záruka sa nevzťahuje na závady spôsobené nedodržaním návodu na použitie, nesprávnym zapojením, neprimeraným zaobchádzaním, normálnym opotrebovaním a na nedostatky, ktoré sú pre vlastnú funkciu prístroja nepodstatné a vznikli napríklad na krehkých dieloch elektrospotrebiča, napríklad rozbitné diely zo skla, umelých hmôt a žiarovky. Záruka stráca platnosť zásahom do prístroja inou osobou, ako osobou nami poverenou servisom. Ak sa vyskytne na Vašom prístroji závada, zašlite alebo odovzdajte elektrospotrebič **s kompletným príslušenstvom s uvedením Vašej adresy a tel. čísla** a popisom závady na adresu servisu.

Oprava v záručnej dobe Vám bude vykonaná bezplatne iba vtedy, ak priložíte k spotrebiču doklad o zakúpení prístroja (pokladničný blok, faktúra) a toto záručné vyhlásenie, kde sú servisné záznamy.

Nárok na záruku zaniká, ak je porucha spôsobená:

- mechanickým poškodením (vrátane poškodenia v priebehu prepravy),
- nešetrným a nesprávnym používaním v nesúlade s návodom, nepozornosťou, znečistením a zanedbanou údržbou,
- vonkajšou udalosťou (prepätie v sieti, živelná pohroma a pod.),
- pripojením výrobku na iné sieťové napätie, aké je preň určené,
- pri nepredložení originálneho dokladu o zakúpení.

Nárok zaniká takisto v prípade, keď ktokoľvek vykonal modifikácie alebo adaptácie na rozšírenie funkcií výrobku oproti zakúpenému vyhotoveniu alebo kvôli možnosti jeho prevádzkovania v inej krajine, ako pre ktorú bol navrhnutý. Nárok nebude uznaný na časti, podliehajúce bežnému opotrebovaniu, ktoré je v priebehu prevádzky nutné meniť kvôli správnej funkcii výrobku (napr. filtre, sáčky, gumové tesnenia, odvápnovacie tyčinky, batérie, žiarovky, obaly a pod.)

Servisné záznamy:

Dodávateľ výrobku pre Slovensko  **spol. s r.o.**

Centrum 1746 / 265, 017 01 Považská Bystrica, tel.: 042/4330791, fax: 042/4260610, www.brel.sk, brel@brel.sk

Organizácia poverená servisom výrobkov:

Brel, spol. s r.o., Centrum 1746/265, 017 01 Považská Bystrica

Tel.: 042/4340193, fax: 042/4260610, mobil: 0918 341 576, brel@brel.sk, www.brel.sk

DŮLEŽITÁ BEZPEČNOSTNÍ UPOZORNĚNÍ

Před používáním zařízení si pozorně přečtěte tyto pokyny, a vždy dodržujte bezpečnostní a provozní pokyny v návodu.

Důležité: *Osoby (včetně dětí nad 8 let), které nejsou schopny používat zařízení bezpečným způsobem kvůli fyzickým, smyslovým nebo duševním schopnostem nebo kvůli nedostatku zkušeností nebo znalostí, nesmí nikdy používat toto zařízení, pokud nejsou pod dohledem osoby odpovědné za jejich bezpečnost nebo pokud předtím neobdrželi pokyny týkající se bezpečného používání zařízení.*

Na děti je třeba důsledně dohlížet, aby nepoužívali toto zařízení jako hračku. Čištění a údržbu přístroje nesmějí vykonávat děti, jedině pokud dosáhly 8 let a jsou pod dozorem dospělé osoby. Nikdy nenechávejte spotřebič jeho el. kabel bez dozoru av dosahu dětí mladších 8 let nebo nezodpovědných osob, zejména pokud je přístroj zapojen na síť, zda se chladí.

- Zařízení používejte pouze pro domácí účely a způsobem, jaký je uveden v těchto pokynech.
- Zařízení nikdy nepoužívejte venku a vždy jej umísťujte do suchého prostředí.
- Čas od času zkontrolujte, zda kabel není poškozen. Nikdy nepoužívejte, pokud kabel nebo samotné zařízení vykazují jakékoli příznaky poškození. Veškeré opravy by měl provádět kompetentní, kvalifikovaný elektrikář (*) aby se předešlo nebezpečí.
- Zařízení nikdy nepoužívejte v blízkosti horkých ploch na přímém slunečním záření.
- Před připojením musí být spínač v poloze "0".
- Zařízení vždy před čištěním nebo uskladněním odpojte od elektrického napájení.
- Dodržujte pokyny pre čistenie (viz odstavec čištění a údržba).
- Zkontrolujte, zda se napětí v elektrické síti shoduje s napětím uvedeným na zařízení.
- Chraňte děti před tímto nebezpečím.
- Nikdy nenechávejte bez dozoru, když se používá. Přístroj nenechte zapnutý pokud jste delší dobu pryč. Před odchodem z místnosti přístroj vždy vypněte.
- Zařízení nikdy nepřemisťujte taháním za kabel. Ujistěte se, že kabel se žádným způsobem nemůže někde zachytit. Neomotávejte kabel kolem zařízení ani jej neohýbejte.
- Zařízení nikdy a ze žádného důvodu neponořujte do vody nebo do jakékoliv kapaliny. Vyhněte se stříkání vody na přístroj.
- Zařízení udržujte mimo dosah vody nebo oleje.
- Respektujte pokyny k čištění.
- Do ochranné mřížky nevkládejte prsty, tužky nebo jiné předměty.
- Veškeré opravy by měl provádět kompetentní, kvalifikovaný elektrikář (*) aby se předešlo nebezpečí.
- Nikdy nepoužívejte příslušenství, které nedoporučuje výrobce. Může představovat nebezpečí pro uživatele a riziko poškození spotřebiče.

(*) Kompetentní kvalifikovaný elektrikář: poprodejní oddělení výrobce nebo dovozce nebo osoba, která je kvalifikovaná, schválena a kompetentní k provádění takových oprav s cílem předcházení jakýmkoli nebezpečím. V každém případě byste měli vrátit zařízení takovému elektrikáři.

Chladicí prostředek používaný v mobilních klimatizačních jednotkách je ekologický uhlovodík R290. Toto chladivo je bez zápachu a v porovnání s alternativním chladivem je R290 chladivo bez ozónu a jeho účinek je velmi nízký.

Před použitím a opravou si přečtěte pokyny.

Nákresy uvedené v tomto návodu nemusí být stejné jako fyzické objekty. Podívejte se na fyzické objekty.

Funkce a součásti

1. Funkce

- * Zcela nový vzhled, kompaktní konstrukce, hladké linie, jednoduchý a velkorysý tvar.
- * Funkce chlazení, odvlhčování, přívodu vzduchu a kontinuální odvodnění
- * Vnější rozhraní je nastaveno vysoko na montáž zařízení a udržuje plynulý tok teplovodního potrubí.
- * LED displej ovládacího panelu, krásný a módní, s vysoce kvalitním dálkovým ovládním. Uživatelsky příjemný design dálkového ovládním.
- * Schopnost filtrace vzduchu.

Funkce časového spínače.

- * Ochranná funkce automatického restartování kompresoru po třech minutách, řadu dalších ochranných funkcí.

Maximální provozní teplota klimatizace Chlazení: 35/24 ° C; vytápění: 20/12 ° C; teplota provozní rozsah: 7-35 ° C.

Upozornění

Varování:

1. Nepoužívejte prostředky na urychlení procesu rozmrazování nebo čištění kromě těch, které doporučuje výrobce.
2. Spotřebič se musí skladovat v místnosti bez provozu zdrojů zapalování (například otevřený oheň, plynový spotřebič nebo pracovní elektrický ohřivač).
3. Nepropichujte zařízení ani nezapalujte oheň v jeho blízkosti.
4. Uvědomte si, že chladiva nemusí obsahovat zápach.
5. Zařízení musí být instalovány, provozovány a uskladněny v místnosti s podlahovou plochou větší než 7m².
6. Nechte jakékoliv potřebné ventilační otvory bez překážek.
7. Servis se provádí pouze podle doporučení výrobce.
8. Spotřebič musí být skladován v dobře větraném prostoru, kde velikost prostoru odpovídá místnosti určené k provozu.
9. Každá osoba, která se zabývá prací na chladicím okruhu nebo proniká do okruhu chladiva, by měla mít současně platné osvědčení od orgánu pověřeného posuzováním v průmyslu, který opravňuje jejich způsobilost bezpečně provádět chladicí prostředky v souladu s průmyslově uznanou specifikací hodnocení.
10. Servis musí být provedeno pouze podle doporučení výrobce zařízení. Údržba a oprava vyžadující pomoc jiného odborného personálu se provádí pod dohledem osoby odpovědné za používání hořlavých chladiv.
11. Všechny pracovní postupy, které vyžadují bezpečnostní prostředky, musí provádět pouze kompetentní osoby..



Poznámky:

* Klimatizace je vhodná pouze pro vnitřní použití a není vhodná pro jiné aplikace.

* Při instalaci klimatizace dodržujte místní pravidla propojení sítě a ujistěte se, že je správně uzemněna. Pokud máte jakékoliv dotazy týkající se elektrické instalace, postupujte podle pokynů výrobce a v případě potřeby požádejte profesionálního elektrikáře, aby zařízení nainstaloval.

* Stroj umístěte na rovném a suchém místě a udržujte vzdálenost nad 50 cm mezi strojem a okolními předměty nebo stěnami.

* Po instalaci klimatizace zkontrolujte, zda je zástrčka neporušená a pevně připojena do zásuvky a správně umístěte napájecí kabel, abyste zabránili tomu, že někdo zablokuje nebo vytáhne zástrčku.

- * Do přívodu a odvodu vzduchu na klimatizačním zařízení nekládejte žádné předměty. Udržujte vstup a výstup vzduchu bez překážek.
 - * Když jsou instalovány drenážní potrubí, dbejte na správné připojení odvodňovacích trubek, které nejsou deformovány nebo ohnuté.
 - * Při nastavování horních a spodních vodičích proužků vývodu vzduchu, je jemně zachyťte rukama, abyste předešli poškození větracích pásů.
 - * Při přesouvání stroje se ujistěte, že je ve svislé poloze.
 - * Stroj by měl držet dál od benzínu, hořlavých plynů, sporáků a jiných zdrojů tepla.
 - * Stroj nerozebírejte, neopravujte a neupravujte, můžete způsobit poruchu zařízení nebo dokonce poškození zdraví osob nebo škody na majetku. Abyste předešli nebezpečí, pokud dojde k selhání stroje, požádejte o opravu výrobce nebo odborníků.
 - * Neinstalujte a nepoužívejte klimatizaci v koupelně nebo jiném vlhkém prostředí.
 - * Nevytahujte zástrčku, abyste stroj vypnuli.
 - * Neumísťujte na těleso šálky ani jiné předměty, abyste zabránili vniknutí vody nebo jiných kapalin do klimatizace.
 - * Nepoužívejte rozprašovače insekticidů nebo jiné hořlavé látky v blízkosti klimatizace.
 - * Neotírejte ani nemyjte klimatizaci chemickými rozpouštědly, jako je benzín a alkohol. Když potřebujete vyčistit klimatizaci, musíte odpojit napájecí zdroj a očistit ho navlhčeným měkkým hadříkem. Pokud je stroj skutečně znečištěný, otírejte jemným čistícím prostředkem.
 - * Tento spotřebič mohou používat děti ve věku od 8 let a osoby se sníženými fyzickými, smyslovými nebo duševními schopnostmi, pokud jsou pod dohledem nebo mají instrukce o používání spotřebiče bezpečným způsobem a pochopili příslušné rizika. Děti se nesmí hrát se zařízením. Čištění a údržbu nesmějí provádět děti bez dozoru.
- Pokud je přívodní kabel poškozen, musí ho vyměnit výrobce, jeho servisní zástupce nebo osoby s podobnou kvalifikací, aby se předešlo nebezpečí.
- Přístroj musí být instalován v souladu s národními předpisy.
- Nepoužívejte klimatizaci ve vlhké místnosti, jako je koupelna nebo prádelna..

Přeprava, označování a skladování jednotek

1. Přeprava zařízení obsahujících hořlavé chladiva
Dodržování dopravních předpisů
2. Označení zařízení pomocí značek
Dodržování místních předpisů
3. Likvidace zařízení využívajících hořlavá chladiva
Dodržování vnitrostátních předpisů
4. Skladování zařízení / spotřebičů
Skladování zařízení by mělo být v souladu s pokyny výrobce.
5. Skladování baleného (neprodaného) zařízení
Ochrana zásobníku by měla být zkonstruována tak, aby mechanické poškození zařízení uvnitř obalu nezpůsobilo únik náplně chladiva.
6. Maximální počet kusů skladovaných na jednom místě bude určen místními předpisy..

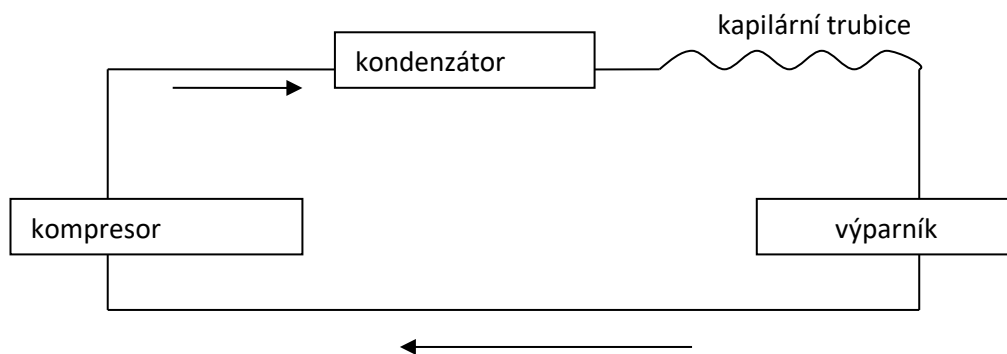
ZVLÁŠTNÍ DOPORUČENÍ

- ❑ Nainstalujte přenosnou klimatizaci na rovném místě s velkým prostorem, bez překážek. Zanechte 50cm minimální prostor mezi přístrojem a stěnou.
- ❑ Zástrčka musí být vždy přístupná po jeho instalaci.
- ❑ Přístroj umístěte vždy ve svislé poloze, aby byl zachován kompresor v dobrém stavu.
- ❑ Nepoužívejte přístroj v blízkosti plynu nebo jiných hořlavých kapalin.
- ❑ Neblokujte výstup vzduchu a vstupní ventilaci.

NAPÁJECÍ ZDROJE

- ❑ Nepoužívejte aerosoly (insekticidy, barvy), nebo jiné hořlavé produkty vedle přístroje, protože může dojít k deformaci
- ❑ Zástrčka musí být dobře upevněna a neměla by být poškozena.
- ❑ Nezapojujte spotřebič s adaptérem.
- ❑ Nejprve připojte zařízení ke zdroji napájení a stiskněte tlačítko ON / OFF

VÝROBCE nenese žádnou odpovědnost v případě nedodržení nařízení a pokynů tohoto návodu. Tento návod k použití důkladně uchovejte pro pozdější potřebu.



Příloha

Typ: 5ET nebo SMT
 Napětí: 250V
 Proud: 3.15
 Schematický diagram

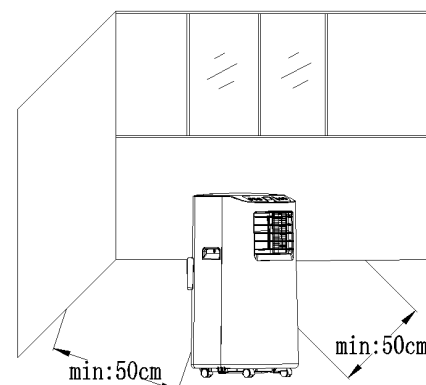
Všechny technické a specifické parametry najdete na typovém štítku výrobku.
 Vzhledem k neustálému zdokonalování si vyhrazujeme právo na změnu některých prvků bez předchozího upozornění.

INSTALACE

Výběr umístění přístroje

Přístroj umístěte na rovnou plochu a suchém místě.

Nechte alespoň 50 cm volného prostoru všude kolem jednotky.

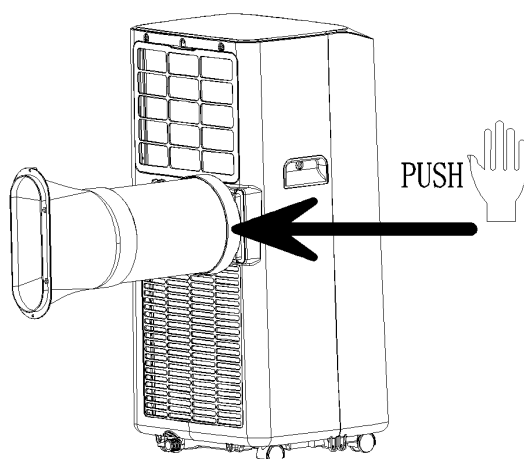


Instalace

Upozornění: Před použitím mobilní klimatizace ji nechte alespoň 2 hodiny ve vzpřímené poloze.

Klimatizace lze snadno pohybovat v místnosti. Při pohybu se ujistěte, že klimatizace je ve vzpřímené poloze a klimatizace by měla být umístěna na rovném povrchu. Neinstalujte a nepoužívejte klimatizaci v koupelně nebo jiném vlhkém prostředí.

1.1 Instalace tepelné trubice (jak je uvedeno na Obr.1))



- a. vytáhněte sestavu vnějšího konektoru a sestavu výfukové trubky a vyberte plastové sáčky;
- b. vložte sestavu tepelné trubice (konec výfukového spoje) do otvoru pro ventilátor zadního panelu (stiskněte doleva) a dokončete sestavu (jak je znázorněno na obrázku 2).).

Přípevněte výfukové potrubí do adaptéru a pak připevněte druhou stranu výfukového potrubí do výstupu vzduchu pro větrání. (Proti směru hodinových ručiček) Připevněte adaptér do posuvného jezdcí do okna, pak napůl otevřete okno, abyste přizpůsobili šířku okna posuvnému jezdcí. Délka okenního jezdcí je nastavitelná.

Montáž komponentů okenních těsnících desek

1. Na polovinu otevřete okno a namontujte sestavu těsnící desky oken do okna (jak je znázorněno na obr.3 a obr.4). Komponenty mohou být umístěny v horizontálním a vertikálním směru.
2. Vytáhněte různé součásti sestavy okenní těsnící desky, nastavte jejich vzdálenost otevírání tak, aby oba konce sestavy byly v kontaktu s okenním rámem a upevněte součásti sestavy.

Instalace sestavy těsnící desky oken

Poznámky:

1. Plochý konec spojů výfukové trubky musí být zachycen na místě.
2. Trouba nemůže být narušena ani mít podstatnou odbočku (větší než 45 °). Dbejte na to, aby větrání výfukového potrubí nebylo zablokováno..

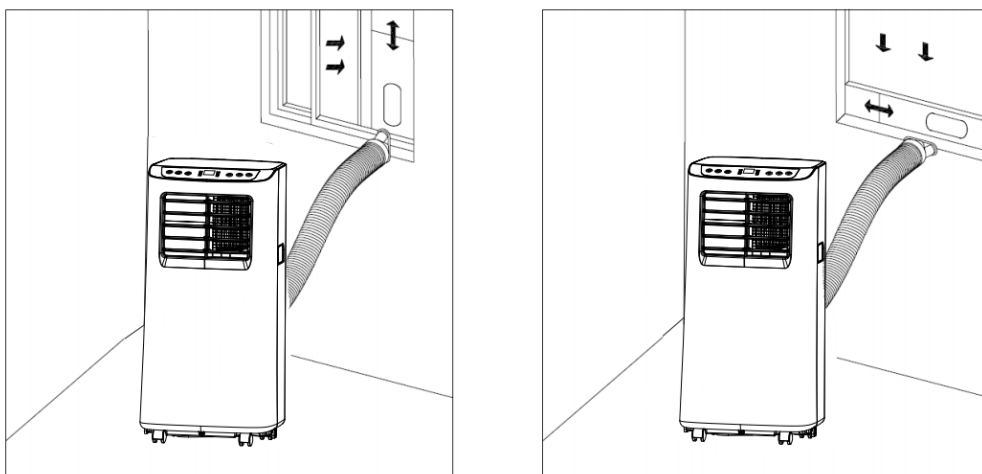


Obr. 3 a 4

Prodlužte výfukové potrubí a zalepte plochý konec výfukových potrubí do otvoru sestavy těsnící desky oken (jak je znázorněno na obr.5 a obr.6).

Poznámky:

1. Plochý konec spojů výfukové trubky musí být zasunut na místo.
2. Trouba nemůže být narušena ani mít podstatnou odbočku (větší než 45 °). Dbejte na to, aby větrání výfukového potrubí nebylo zablokováno.



Obr. 5 a 6

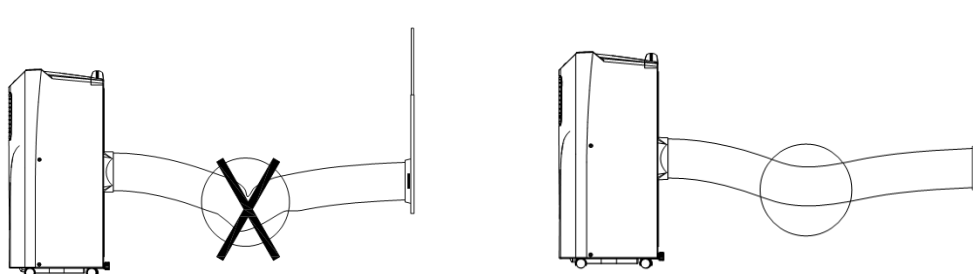
NESPRÁVNÁ MONTÁŽ

Ohyb výfukového potrubí je velmi důležitý.

Nesprávná montáž může bránit správnému pracovnímu režimu přístroje.

Dbejte na to, abyste se vyhnuli ostrým přehybům nebo ohybům výfukového potrubí.

Odpadový (výfukový) vzduch musí volně proudit.



VAROVÁNÍ

Délka výfukového potrubí je speciálně navržena dle specifikace tohoto produktu.

Neměňte ani prodlužujte potrubí jiným, vlastním, protože to by mohlo způsobit poruchu přístroje.

POZOR: Používejte nejkratší možnou délku, která je 1500 mm. Při montáži doporučujeme držet výfukové potrubí ve vodorovné poloze.

Důležitá poznámka:

Délka výfukové hadice musí být 280 až 1500 mm a tato délka je založena na specifikacích klimatizace.

Nepoužívejte prodlužovací trubice ani jejich nevyměňte jinými rozdílnými hadicemi, což může způsobit poruchu. Výstup vzduchu nesmí být zablokovaný; jinak může dojít k přehřátí.

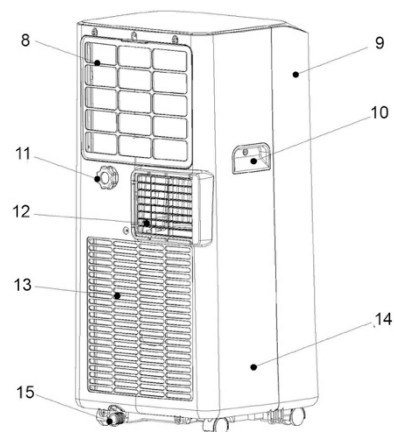
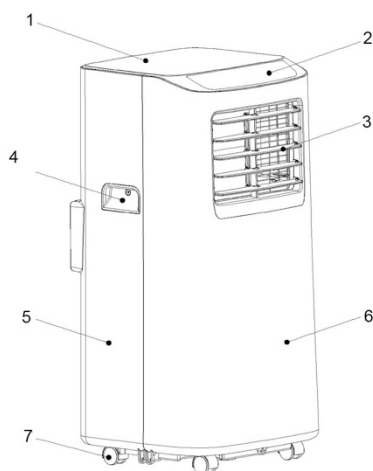
ČÁST A JEJÍ NÁZEV

přední strana

1. Vrchní kryt
2. Ovládací panel
3. Výkyvný kryt
4. Ručka
5. Zadní obal
6. Přední obal
7. Kolečka

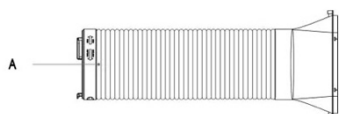
zadní strana

8. Filter EVA
9. Přední obal
10. Ručka
11. Drenážní otvor
12. Vzduchová ventilace
13. Filter CON
14. Zadní obal
15. Vypouštěcí otvor/gumová zátka



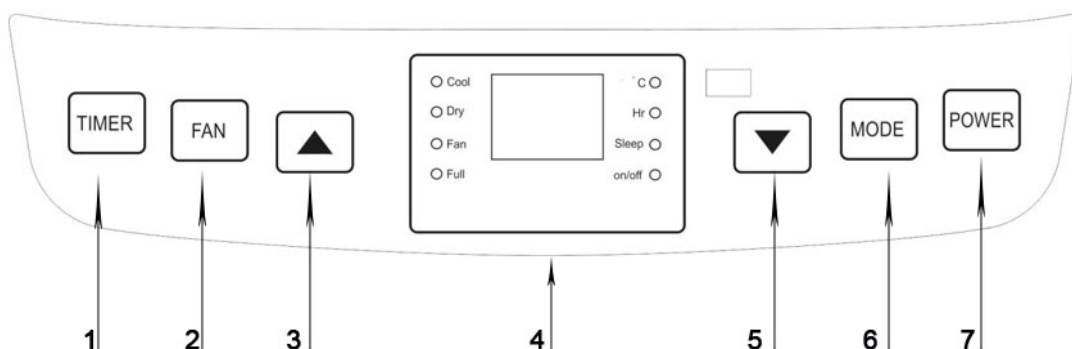
Zkontrolujte, zda balení obsahuje veškeré příslušenství, informace o jejich použití najdete v pokynech pro instalaci.

PŘÍSLUŠENSTVÍ



- A. Výfukové trubky
B. Adaptér / Okenní posuvný jezdec

OVLÁDACÍ PANEL



Keď sa zariadenie prvýkrát zapne, bzučiak prehrá melódiu pri zapnutí a zariadenie sa dostane do pohotovostného stavu.

1. Tlačítko Timer: při stand-by time toto tlačítko slouží k nastavení automatického času; Při spuštění čas, stiskněte toto tlačítko pro nastavení automatického volno. Časovač: v úsporném režimu toto

tlačítko nastavuje čas zapnutí, pokud je spotřebič zapnutý, tlačítko nastavuje čas automatického vypnutí. Časové hodnoty mohou být nastaveny mezi 1 až 24 hodin a hodnota časování je posouvána v hodinových intervalech.

2. Tlačítko FAN: stiskněte toto tlačítko pro výběr vysokých, nízkých otáček ventilátoru

3. 5. Tlačítko UP / DOWN: stiskněte tato tlačítka pro změnu nastavené teploty nebo časování, postupujte následovně:

Během nastavování teploty stiskněte klávesy nahoru nebo dolů ůmž zvolíte požadovanou teplotu (možnost není k dispozici v režimech „přívod vzduchu“ nebo v režimu odvlhčování).





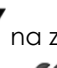


Pro nastavení času, stiskněte klávesy nahoru nebo dolů pro výběr požadovaného času.

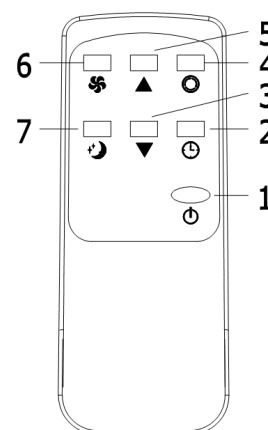
4. DISPLEJ

6. Tlačítko MODE: stiskněte toto tlačítko pro volbu: chlazení COOL, režim odvlhčování a režim ventilátoru

7. Tlačítko POWER: stiskněte toto tlačítko pro zapnutí / vypnutí přístroje. Po zapnutí přístroje je přednastavena funkce přístroje režim chlazení s nízkou rychlostí ventilátoru.

DÁLKOVÉ OVLÁDÁNÍ

1. Tlačítko napájení  (stejně jako tlačítko ON / OFF)
2. Tlačítko časovač  na nastavení časování.
3. Tlačítko: Nahoru  na snížení teploty a časového nastavení
4. Tlačítko: MODE  k přepínání mezi režimem chlazení, ventilátoru a odvlhčování.
5. Tlačítko: Dole  na zvýšení teploty a časového nastavení.
6. Tlačítko režimu: Fan  na výběr vysoké a nízké rychlosti foukání.
7. Tlačítko Sleep  zapnutí režimu spánku.



Různorodost OCHRANNÝCH FUNKCÍ

Funkce ochrany proti zamrznutí:

Pokud se přístroj nachází v režimu chlazení, odvlhčování nebo v režimu ekonomického šetření energie a teplota v spirálovém potrubí je příliš nízká, tak se přístroj automaticky přepne do ochranného režimu; pokud teplota v spirálovém potrubí stoupne na určitou teplotu, tak se přístroj vrátí do normálního režimu.

Funkce ochrany proti přetečení:

Pokud voda v nádobě na vodu přesáhne maximální úroveň naplnění, tak přístroj automaticky spustí alarm a na LDC teplotním displeji se ukáže "FL" znak. V tomto okamžiku musíte odstranit drenážní hadici, která spojuje přístroj nebo otvor pro vývod vody s kanálem nebo s jiným drenážním místem, abyste mohli vyprázdnit nádobu na vodu (podrobný popis naleznete na konci této kapitoly v odstavci Drenážní instrukce). Jakmile je nádoba na vodu vyprázdněna, tak se přístroj vrátí do své původní funkce.

Automatická funkce ochrany proti přehřátí:

Aby se zajistila dlouho-životnost přístroje, tak má přístroj v režimu vytápění automatickou funkci ochrany proti přehřátí. Během této ochranné doby přístroje se vypne kompresor a spodní motor. Jakmile se přístroj zotaví, tak se automaticky vrátí do normálního režimu vytápění.

Automatické rozmrazování (chladicí modely mají tuto funkci): Stroj má funkci automatického rozmrazování. Rozmrazování lze dosáhnout čtyřcestným reverzováním ventilu.

Funkce ochrany kompresoru:

Aby se zvýšila životnost kompresoru, tak má kompresor po jeho vypnutí funkci pomalého vypnutí s 3 min. zpožděním.

DRENÁŽ VODY

Tento stroj má dvě odvodňovací metody: manuální odvodnění a kontinuální odvodnění.

Pokud přístroj pozastaví svou činnost, protože nádoba na vodu je plná, tak přístroj vypněte a vytáhněte zástrčku ze zásuvky.

Poznámka: Prosíme Vás, abyste s přístrojem nakládali-hýbaly opatrně, abyste tak zabránili vylití vody z nádoby na dno přístroje.

Umístěte nádobu na vodu pod boční otvor pro výtok vody, který se nachází za tělesem přístroje.

Odšroubujte drenážní kryt a odejměte vodní zátku, přičemž voda pak automaticky vyteče do nádoby na vodu.

Poznámka:

Pečlivě si drenážní kryt a vodní zátku uschovejte.

Během drenáže se může přístroj jemně naklánět dozadu.

Pokud již nádoba na zachytávání vody nemůže pohltit veškerou vytékající vodu, tak časně, dřív, než bude nádoba zcela plná, utěsněte odtokový otvor vodní zátkou, abyste tak zabránili vylití vody na podlahu nebo na koberec.

Jakmile je veškerá voda vypuštěna, tak do výtokového otvoru vložte vodní zátku a utěsněte drenážní kryt.

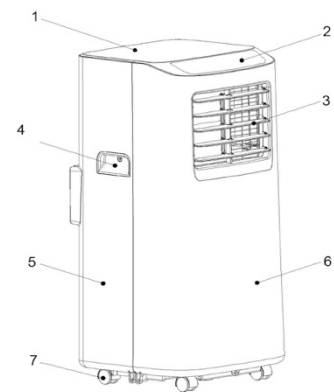
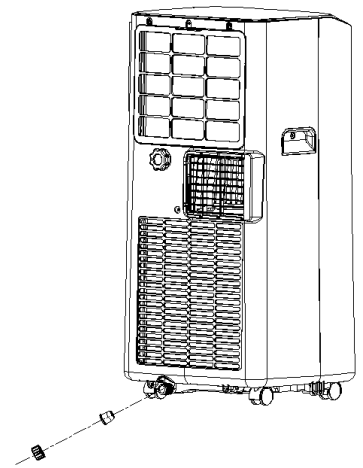
Poznámka: 1. Po nainstalování vodní zátky a drenážního krytu přístroj zrestartujte, jinak bude zkondenzovaná voda z přístroje vytékat na podlahu nebo na koberec.

Průběžná drenáž (nastavitelná pouze v režimu chlazení nebo odvlhčování), jak je ukázáno na obrázcích:

Odšroubujte drenážní kryt a vyjměte vodní zátku.

Vsadte drenážní trubku do výtokového otvoru přístroje.

Propojte drenážní trubku s nádobou na zachytávání vody.



ÚDRŽBA

Poznámka: Vypněte přístroj a odpojte jej před prováděním údržby nebo oprav, aby se předešlo úrazu elektrickým proudem.

Čištění

- Vyčistěte kryt měkkým vlhkým hadříkem. Nepoužívejte chemická rozpouštědla (jako je benzen, alkohol, benzín). Povrch tak můžete poškodit nebo dokonce celý obal by mohl být deformovaný.
- Vyhněte se stříkané vodě v blízkosti přístroje.

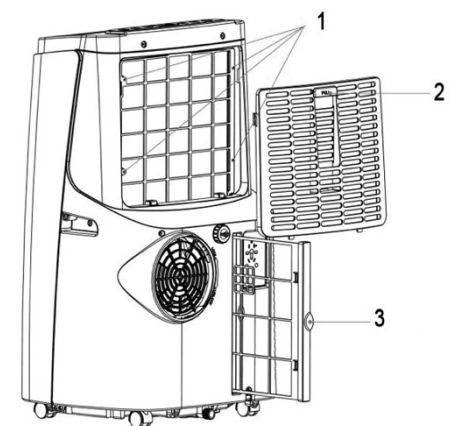
Čištění sítka filtru

Pokud je sítko filtru ucpané prachem a účinnost klimatizace je snížena, vyčistěte sítko filtru jednou za dva týdny.

Čištění horního rámu filtru

1) Odšroubujte šroub upevněnou síťovou filtrační síť EVA v zadní části pomocí šroubováku a vytáhněte síťovou filtrační síť EVA.

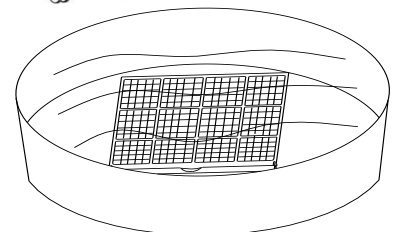
2) Vložte filtr EVA do teplé vody s neutrálním čisticím prostředkem (asi 40 ° C / 104 ° F) a po opláchnutí ji vysušte ve stínu.



Konec sezóny

Pokud nebudete přístroj po delší dobu používat, tak postupujte prosím následovně:

- Prosím, vypusťte všechnu vodu.
- Nechejte přístroj v režimu ventilátoru po dobu několika hodin, dokud se vnitřek jednotky zcela nevysuší.
- Vypněte přístroj a odpojte jej. oviňte elektrickou přívodní šňůru o kolík; nainstalujte vodní zátku a drenážní kryt..
- Vyčistěte vzduchový filtr, nechte ho pak důkladně uschnout a nainstalujte jej znovu.
- Vyjměte výfukové potrubí a uschovejte je pečlivě.
- Zabalte jednotku do plastového sáčku a uložte ji na suchém místě.
- Odstraňte z dálkového ovladače baterie a pečlivě je uskladněte.
- **Poznámka:** Ujistěte se, že těleso přístroje je uskladněno na suchém místě a že i veškeré příslušenství přístroje je pečlivě uskladněno.



ŘEŠENÍ PROBLÉMŮ

1. Informace o servisu

1) Kontroly na území

Před zahájením prací na systémech obsahujících hořlavé chladiva jsou nutné bezpečnostní kontroly, aby se minimalizovalo riziko vznícení. Při opravách chladicího systému musí být před provedením prací na systému dodrženy následující bezpečnostní opatření.

2) Pracovní postup

Práce se provádí kontrolovaným postupem, aby se minimalizovalo riziko přítomnosti hořlavého plynu nebo páry během provádění prací.

3) Všeobecná pracovní oblast

Všichni pracovníci údržby a jiní pracovníci v místní oblasti musí být poučeni o charakteru vykonávané práce. Je třeba se vyhnout práci v uzavřených prostorách. Oblast kolem pracovního prostoru se oddělí. Zajistěte, aby byly podmínky v dané oblasti bezpečné na ovládání hořlavého materiálu.

4) Kontrola přítomnosti chladiva

Tato oblast se musí zkontrolovat s vhodným detektorem chladiva před a během práce, aby se zajistilo, že technik zná potenciálně hořlavé atmosféry. Zajistěte, aby bylo zařízení na detekci netěsností vhodné pro použití s hořlavými chladivy, t. j. bez jiskření, přiměřeně utěsněné nebo vnitřně bezpečné.

5) Přítomnost hasicího přístroje

Pokud se mají na chladírenských nebo jakýchkoliv souvisejících částech provést nějaké práce za tepla, musí být k dispozici vhodné zařízení k hašení požáru. Musíte mít k dispozici suchý prášek nebo hasicí přístroj CO₂.

6) Žádné zdroje vznícení

Žádná osoba provádějící práci ve vztahu k chladicímu systému, která zahrnuje vystavení jakékoli práce na potrubí, která obsahuje nebo obsahovala hořlavé chladivo, nesmí používat žádné zdroje vznícení takovým způsobem, že může vést k nebezpečí požáru nebo výbuchu. Všechny možné zdroje vznícení včetně kouření cigaret by měly udržovat dostatečně daleko od místa instalace, opravy, odstraňování a zneškodňování, během kterého se může do okolního prostoru uvolnit hořlavé chladivo. Před provedením práce musí prostor kolem zařízení prozkoumat, aby se předešlo nebezpečí hořlavosti nebo zánětu. musí být nápis "Zákaz kouření".

7) Větraná oblast

Zajistěte, aby bylo zařízení na otevřeném prostranství nebo aby bylo dostatečně větrané předtím, než se vnikne do systému nebo jsou vedeny horké páry. Větrání musí pokračovat během období, ve kterém se práce provádí. Větrání by mělo bezpečně rozptýlit jakéhokoliv uvolněné chladivo a přednostně ho vyloučit do atmosféry.

8) Kontrola chladicího zařízení

Při výměně elektrických součástí musí být vhodné pro daný účel a pro správnou specifikaci. Vždy se dodržují pokyny výrobce týkající se údržby a servisu. Pokud máte pochybnosti, poraďte se s technickým oddělením výrobce.

Na zařízení, která používají hořlavé chladicí prostředky, musí být provedeny tyto kontroly:

- Velikost napájení je v souladu s velikostí místnosti, do které jsou instalovány části obsahující chladivo;
- Větrací zařízení a výstupy pracují dostatečně a nejsou poškozeny;
- Pokud se používá nepřímý chladicí okruh, sekundární okruh musí být zkontrolován na přítomnost chladiva;
- Značení na zařízení je vždy viditelné a čitelné. Označení a znaky, které nejsou čitelné, musí být opraveny;
- Chladicí trouba nebo komponenty jsou instalovány v takové poloze, ve které je nepravděpodobné, že by byly vystaveny jakékoli látce, která může korodovat složky obsahující chladivo, pokud nejsou komponenty konstruovány z materiálů, které jsou neodmyslitelně odolné vůči korodování nebo jsou vhodně před tím chráněny.

9) Kontroly elektrických zařízení

Oprava a údržba elektrických komponentů zahrnuje počáteční bezpečnostní kontroly a postupy kontroly komponentů. Pokud existuje porucha, která by mohla ohrozit bezpečnost, nesmí být k okruhu připojena žádná elektrická přípojka, dokud nebude uspokojivě řešena. Pokud se chyba nedá okamžitě odstranit, ale je třeba pokračovat v jejím provozu, použijte se odpovídající dočasné řešení. Toto se oznámí majiteli zařízení, aby všem stranám bylo poskytnuto poradenství.

Počáteční bezpečnostní kontroly musí obsahovat:

- Kondenzátory se vybijí: musí to být provedeno bezpečným způsobem, aby nedošlo k jiskření;
- Aby během nabíjení, sestavování nebo vyčištění systému nezůstaly žádné elektrické komponenty a elektrické vedení aktivní;
- Zařízení musí být připojeno na uzemněnou elektrickou zástrčku.

4. Opravy utěsněných komponent

1) Během opravy utěsněných komponent se všechny elektrické spotřebiče musí odpojit od zařízení, na kterém se pracuje, před odstraněním zapečetěných krytů atd. Pokud je při servisu třeba elektrické napájení zařízení,

pak se trvale fungující forma detekce úniku nachází v nejkritičtějších bodech, aby varoval před potenciálně nebezpečnou situací.

2) Zvláštní pozornost je třeba věnovat následujícím skutečnostem, aby se zajistilo, že při pracích na elektrických součástech není obal poškozen takovým způsobem, že by byla ovlivněna úroveň ochrany.

Patří sem poškození kabelů, nadměrný počet připojení, svorky, které nebyly vyrobeny podle původní specifikace, poškození těsnění, nesprávné namontování těsnění atd.

Zajistěte, aby byl přístroj bezpečně namontován.

Zajistěte, aby těsnění nebo těsnicí materiály nebyly poškozeny tak, aby už nesplňovaly účel zabránění vniknutí hořlavých atmosfér. Náhradní díly musí být v souladu se specifikacemi výrobce.

POZNÁMKA: Použití silikonového tmelu může zabránit účinnosti některých typů zařízení pro detekci netěsností. Vlastní bezpečné součástky nemusí být izolovány před tím, než se na nich pracuje.

3. Opravy vnitřních bezpečnostních komponent

Nepoužívejte trvalé indukční nebo kapacitní zatížení do obvodu, aniž bylo zajištěno, že nebude překračovat povolené napětí a proud jsou povoleny pro zařízení v provozu.

Jiskrově bezpečné komponenty jsou jediné typy, které mohou pracovat, zatímco jsou v přítomnosti hořlavé atmosféry. Zkušební zařízení musí mít správný poměr hodnot. Vyměňte komponenty pouze za části určené výrobcem. Další části mohou způsobit vzplanutí chladicího média v atmosféře z netěsnosti.

4. Kabeláž

Zkontrolujte, zda kabeláž nebude vystavena opotřebení, korozi, nadměrnému tlaku, vibracím, ostrým okrajem nebo jiným nepříznivým účinkům na životní prostředí. Kontrola musí také brát v úvahu účinky stárnutí nebo kontinuálních vibrací ze zdrojů, jako jsou kompresory a ventilátory.

5. Detekce hořlavých chladiv

Za žádných okolností se při hledání nebo zjišťování úniku chladiva nesmí použít potenciální zdroje vznícení. Nesmí se používat halogenidové hořák (nebo jakýkoli jiný detektor používající otevřený plamen).

6. Metody detekce úniků

Následující metody detekce úniku se považují za přijatelné pro systémy obsahující hořlavé chladicí prostředky. Elektronické detektory úniku se používají pro detekci hořlavých chladiv, ale citlivost nemusí být přiměřená nebo může vyžadovat opakovanou kalibraci. (Detektor musí být kalibrován v oblasti bez chladicího média.) Ujistěte se, že detektor není potenciálním zdrojem zapálení a je vhodný pro používané chladivo. Zařízení na detekci úniků se nastaví na procentuální hodnotu LFL chladiva a kalibruje se na použitý chladiv a příslušné procento plynu (maximálně 25%).

Kapaliny pro zjišťování netěsností jsou vhodné pro použití s většinou chladiv, ale použití detergentů obsahujících chlor se musí zabránit, protože chlór může reagovat s chladivem a korodovat měděné potrubí. Pokud existuje podezření na netěsnost, všechny otevřené plameny musí být odstraněny / zhasnuté.

Pokud se zjistí únik chladiva, který vyžaduje letování, vše chladivo musí získat ze systému nebo izolovat (pomocí uzavíracích ventilů) v části systému vzdálené od úniku. Dusík bez obsahu kyslíku (OFN) se pak pročistí systémem před a během procesu pájení.

9. Demontáž a evakuace

Při přerušení kontinuity okruhu chladiva na opravy - nebo na jiný účel - se používají standardní postupy. Je však důležité, aby se dodržovaly osvědčené postupy, protože se zohledňuje hořlavost. Dodržuje se následující postup:

- Odstraňte chladivo.
- Okruh vyfoukněte inertním plynem.
- Vyprázdněte zařízení.
- Opětovně vyčistěte inertním plynem.
- Otevřete obvod řezáním nebo pájením.

Náplň chladiva musí zotavit do příslušných obnovovacích válců. Systém musí být "propláchnut" s OFN, aby se zařízení mohlo zajistit. Tento proces může být nutné opakovat několikrát. Pro tento účel se nesmí použít stlačený vzduch nebo kyslík.

Propláchnutí se dosáhne přerušením podtlaku v systému s OFN a pokračováním v naplňování, dokud se nedosáhne pracovní tlak, pak se vypustí do atmosféry a nakonec se vytáhne do vakua. Tento proces se musí opakovat, dokud se v systému nenachází žádné chladivo. Když se použije poslední náboj OFN, systém se odvdoušší do atmosférického tlaku, aby se umožnila práce. Tato operace je naprosto nezbytná, pokud se má provádět pájení na potrubí.

Ujistěte se, že výstup pro vakuové čerpadlo není blízko k žádným zdrojům zapalování a je k dispozici větrání.

10. Postupy nabíjení

Kromě konvenčních postupů zpoplatnění se musí dodržovat tyto požadavky.

- Zajistěte, aby při používání nabíjecího zařízení nedošlo ke kontaminaci různých chladiv. Hadice nebo potrubí musí být co nejkratší, aby se minimalizovalo množství chladicího prostředku, který se v nich nachází.

- Láhve se musí uchovávat ve svislé poloze.

- Ujistěte se, že chladicí systém je uzemněn před nabíjením systému chladicím médiem.
 - Označte štítek systému po dokončení nabíjení (pokud ještě nebylo označené).
 - Musí se věnovat zvláštní pozornost tomu, aby se chladicí systém nepřepřilňoval.
- Před nabitím systému se zkouší tlakem s OFN. Systém musí být testován po dokončení nabíjení, ale před uvedením do provozu. Následná zkouška netěsnosti se provede před opuštěním místa naplňování.

9. Likvidace

Před provedením tohoto postupu je důležité, aby byl technik plně obeznámen se zařízením a všemi jeho podrobnostmi. Doporučuje se správná praxe, aby se všechny chladiva dostali do bezpečí. Před dokončením úlohy by měla odebrat vzorek oleje a chladiva v případě, že je třeba provést analýzu před opětovným použitím regenerovaného chladiva.

Před spuštěním úlohy je důležité, aby bylo k dispozici elektrické napájení.

- Seznamte se se zařízením a jeho provozem.
- Elektrický systém izolujte.
- Před zahájením postupu se ujistěte, že:
 - V případě potřeby je k dispozici mechanické manipulační zařízení pro ovládání válců chladiva;
 - veškeré osobní ochranné prostředky jsou dostupné a správně používány;
 - Proces obnovy je vždy kontrolován kompetentní osobou;
 - Zařízení na obnovu a válce splňují příslušné normy.
- Pokud je to možné, vyprázdňte chladicí systém.
- Pokud nelze vypuštění, sběrač musí být vyroben tak, aby bylo možné chladivo odstranit z různých částí systému.
- Zkontrolujte, zda je válec umístěn na vahách předtím, než se zotaví.
- Spusťte zařízení na obnovu a postupujte podle pokynů výrobce.
- Nepřepřilňujte válce. (Ne více než 80% objemu kapaliny).
- Nepřekračujte maximální provozní tlak válce, a to ani dočasně ..
- Po správném naplnění válců a dokončení procesu se ujistěte, že jsou válce a příslušenství rychle odstraněny z místa instalace a všechny uzavírací ventily na přístroji jsou zavřené.
- Recyklované chladivo by se nemělo nabíjet do jiného chladicího systému, pokud nebylo vyčištěno a zkontrolováno.

10. Označování

Zařízení musí mít visačku o tom, že byl vyřazen z provozu a byl vyprázdňen z chladicího média. Štítek musí být datován a podepsán. Ujistěte se, že zařízení má štítky, které označují, že zařízení obsahuje hořlavé chladivo.

11. Obnova

Při odstraňování chladiva ze systému na údržbu nebo likvidaci se doporučuje, aby byly všechny chladicí média bezpečně odstraněny.

Při přenosu chladicího média do válců by se měly používat pouze vhodné válce na rekuperaci chladiva. Ujistěte se, že je správný počet lahví na uložení celkového zatížení systému. Všechny použité válce jsou určeny pro výtěžku chladivo a jsou označeny tímto chladivem (tj speciálními válci na obnovu chladiva). Válce by měly být vybaveny pojistným ventilem a příslušnými uzavíracími ventily v dobrém technickém stavu. Prázdné sběrné láhve se vyprázdňují a pokud je to možné, ochladí se před obnovou.

Zařízení k využití musí být v dobrém provozním stavu se soustavou pokynů týkajících se vybavení, které je k dispozici a musí být vhodné pro obnovu hořlavých chladiv. Kromě toho musí být k dispozici souprava kalibrovaných vah a v dobrém provozním stavu. Hadice musí být vybavena spojkami na odpojení bez úniku a v dobrém stavu. Před použitím sběrného zařízení zkontrolujte, zda je zařízení v uspokojivé provozu, zda je správně udržované a zda jsou všechny příslušné elektrické komponenty utěsněny, aby se zabránilo vznícení v případě uvolnění chladiva. V případě pochybností se obraťte na výrobce.

Obnovené chladivo musí být vráceno dodavateli chladicího prostředku do správného obnovovacího zásobníku a musí být zřízena příslušná poznámka o přepravě odpadů. Nemíchejte chladicí prostředky v jednotkách na regeneraci a hlavně ne v lahvích.

Jestliže se mají kompresory nebo kompresorové oleje odstranit, dbejte na to, aby byly evakuovány na přijatelnou úroveň, aby se zajistilo, že hořlavé chladivo nezůstane v mazivu. Proces evakuace se provede před vrácením kompresoru dodavatelem. K urychlení tohoto procesu se použije pouze elektrický ohřev na tělo kompresoru. Proces vypouštění oleje z kompresoru se musí provádět bezpečně.

ŘEŠENÍ PROBLÉMŮ

Než se obrátíte na odborníka, nejprve zkontrolujte následující:

Problém	Příčina	Řešení
---------	---------	--------


Klimatizace nefunguje.	Bez napájení.	Zapojte na el. síť a zapněte přístroj.
	Bliká "W.F." na displeji.	Vypusťte vodu.
	Pokojeová teplota je příliš nízká nebo příliš vysoká	Doporučujeme Vám používat přístroj v teplotním rozmezí mezi 7 a 35°C (44-95°F) .
	Během režimu chlazení je pokojová teplota nižší než teplota, která je nastavena, během režimu vytápění je pokojová teplota vyšší než teplota, která je nastavena	Změňte nastavení teploty.
	Během režimu odvlhčování je pokojová teplota příliš nízká.	Přístroj je umístěn v místnosti, jehož pokojová teplota je vyšší než 17°C (62°F).
Klimatizace se často restartuje.	Přístroj je vystaven přímému slunečnímu záření.	Zatáhněte záclony.
	Okna a dveře jsou otevřené, příliš mnoho lidí v místnosti nebo se nachází zdroj tepla v prostoru.	Zavřete okna a dveře, odstraňte zdroj tepla.
	Špinavý filtr	Vyčistěte nebo vyměňte filtr (filtry).
	Přívod vzduchu nebo výfuk vzduchu je blokován.	Odstraňte ucpání.
Jednotka je příliš hlučná.	Přístroj stojí nerovnoměrně.	Umístěte ho na rovném, pevném povrchu (méně vibrací).
Kompresor nepracuje.	Sebe-ochrana kompresoru.	Počkejte 3 minuty a restartujte znovu po poklesu teploty.
Dálkový ovladač nefunguje	Vzdálenost mezi dálkovým ovladačem a přístrojem je příliš velká.	Podědte s dálkovým ovladačem blíže ke klimatizaci a ujistěte se, že dálkový ovladač směřuje na přístrojový přijímač dálkového ovladače.
	Dálkový ovladač není správně nasměrován na přístrojový přijímač.	
	Baterie jsou prázdné.	Vyměňte baterie.
Na displeji 'E2'.	Senzor hadice vykazuje neobvyklou teplotu..	Zkontrolujte teplotní senzor hadice a s ním související obvod.
Na displeji 'E1'	Senzor pokojové teploty vykazuje neobvyklou teplotu.	Zkontrolujte teplotní pokojový senzor a s ním související obvod.



Upozornění: Vypněte jednotku a odpojte ji okamžitě od el. sítě, pokud se něco neočekávaného stane. Pak se obraťte na kvalifikovaného elektrikáře.

OCHRANA ŽIVOTNÍHO PROSTŘEDÍ SMĚRNICE 2012/19 / EU

Kvůli ochraně našeho životního prostředí a lidského zdraví by se měl odpad z elektrických a elektronických zařízení likvidovat

v souladu se specifickými pravidly se zapojením se dodavatelů i uživatelů. Z tohoto důvodu, jak signalizuje symbol  na štítku s jmenovitými údaji nebo na obalu, byste toto zařízení neměli vyhazovat spolu s netříděným komunálním odpadem. Uživatel má právo přinést výrobek na sběrné místo komunálního odpadu, které provádí recyklaci odpadu prostřednictvím opětovného použití, recyklace nebo použití k jiným účelům v souladu se směrnicí.

Návod k použití, záruční prohlášení a servis

Vážený zákazníku,

aby Vám Váš elektrospotřebič sloužil co nejlépe, pozorně si před jeho prvním uvedením do provozu přečtěte celý návod k použití. Tento elektrospotřebič byl řádně přezkoušen. Prodávající Vám poskytuje záruční dobu v trvání **2 let** od data jeho zakoupení. V této době odstraníme bezplatně všechny závady a nedostatky, které podstatně omezují jeho funkci a které prokazatelně vznikly vadou materiálu nebo nedostatky při výrobě. Závady odstraníme podle našeho uvážení opravou nebo výměnou vadné části přístroje. Záruka se nevztahuje na závady způsobené nedodržением návodu k použití, nesprávným zapojením, nepřiměřeným zacházením, normálním opotřebením a na nedostatky, které jsou pro vlastní funkci přístroje nepodstatné a vznikly například na křehkých dílech elektrospotřebiče, např. lahko rozbítné díly ze skla, umělých hmot a žárovky. Záruka pozbývá platnosti zásahem do přístroje jinou osobou, než osobou námi pověřenou servisem. Pokud se vyskytne na Vašem přístroji závada, zašlete nebo předejte elektrospotřebič s kompletním příslušenstvím s uvedením Vaší **adresy a tel. čísla a popisem závady na adresu servisu.**

Oprava v záruční době Vám bude provedena bezplatně pouze tehdy, pokud přiložíte ke spotřebiči doklad o zakoupení přístroje (pokladní blok, faktura) a toto záruční prohlášení, kde jsou servisní záznamy.

Nárok na záruku zaniká, pokud je porucha způsobena:

- mechanickým poškozením (včetně poškození v průběhu přepravy),
- nešetrným a nesprávným používáním v nesouladu s návodem, nepozorností, znečištěním a zanedbanou údržbou,
- vnější událostí (přepětí v síti, živelná pohroma apod.),
- připojením výrobku na jiné síťové napětí, jaké je pro něj určeno,
- při nepředložení originálního dokladu o zakoupení.

Nárok zaniká rovněž v případě, kdy kdokoli provedl modifikace nebo adaptace k rozšíření funkcí výrobku oproti zakoupenému provedení nebo kvůli možnosti jeho provozování v jiné zemi, než pro kterou byl navržen. Nárok nebude uznán na části, podléhající běžnému opotřebením, které je v průběhu provozu nutné měnit kvůli správné funkci výrobku (např. Filtry, sáčky, gumová těsnění, odvápnovací tyčinky, baterie, žárovky, obaly apod.)

Servisní záznamy:

Dodavatel výrobku    **|| spol. s r.o.**

Centrum 1746 / 265, 017 01 Považská Bystrica, tel.: 042/4330791, fax: 042/4260610, www.brel.sk, brel@brel.sk

Organizace pověřená servisem výrobků:

Brel, spol. s r.o., Centrum 1746/265, 017 01 Považská Bystrica

Tel.: 042/4340193, fax: 042/4260610, mobil: 0918 341 576, brel@brel.sk, www.brel.sk



English	4
Polski	18
Slovenský	31
Český	45

