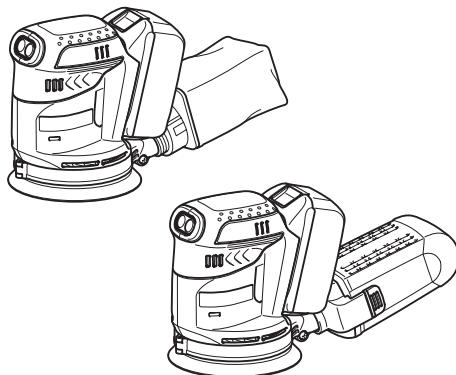




EN	Cordless Random Orbit Sander	INSTRUCTION MANUAL	5
UK	Акумуляторна шліфувальна машина для довільної обробки	ІНСТРУКЦІЯ З ЕКСПЛУАТАЦІЇ	10
PL	Akumulatorowa Szlifierka Mimośrodkowa	INSTRUKCJA OBSŁUGI	16
RO	Șlefuitor fără cablu cu mișcare circulară aleatorie	MANUAL DE INSTRUCȚIUNI	22
DE	Akku-Exzentrerschleifer	BEDIENUNGSANLEITUNG	28
HU	Vezeték nélküli, véletlen körpályás csiszoló	HASZNÁLATI KÉZIKÖNYV	34
SK	Akumulátorová brúska s nepravidelnými otáčkami	NÁVOD NA OBSLUHU	40
CS	Akumulátorová excentrická bruska	NÁVOD K OBSLUZE	46

DBO140
DBO180



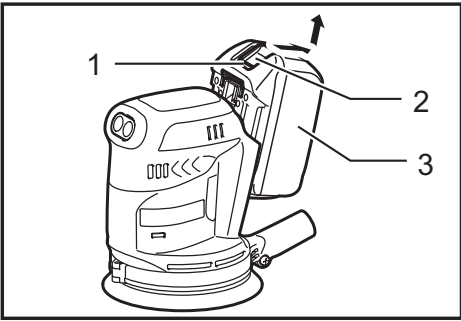


Fig.1

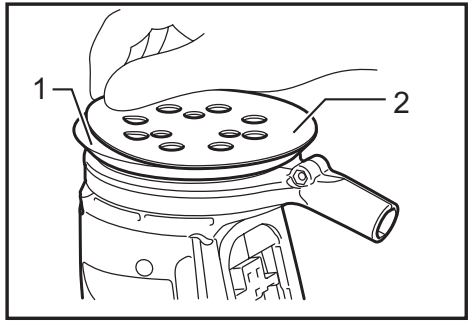


Fig.5

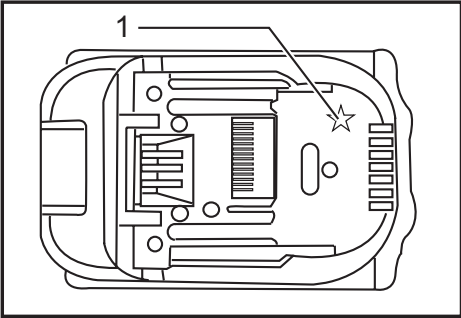


Fig.2

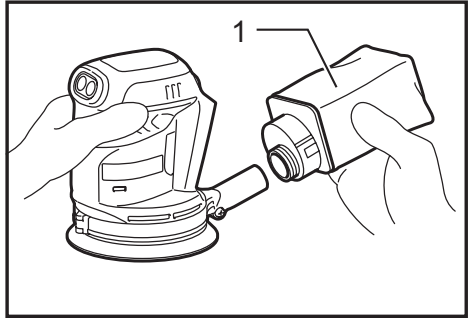


Fig.6

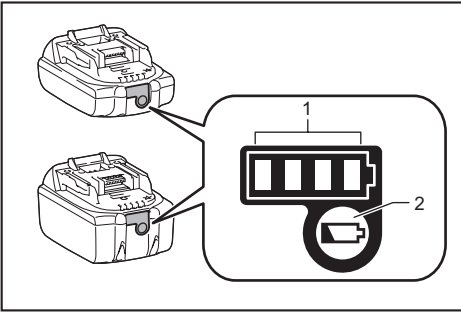


Fig.3

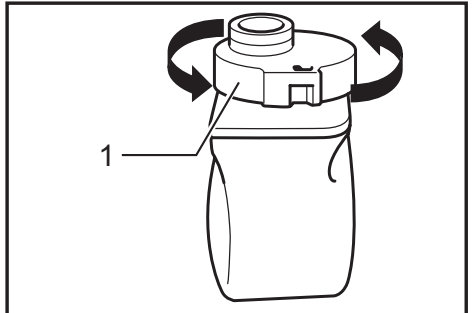


Fig.7

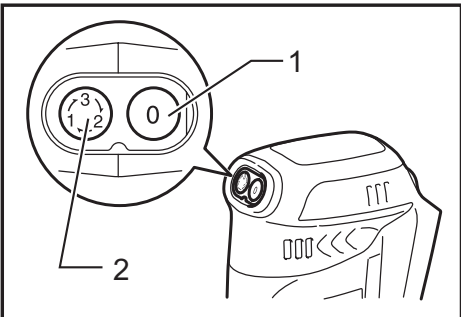


Fig.4

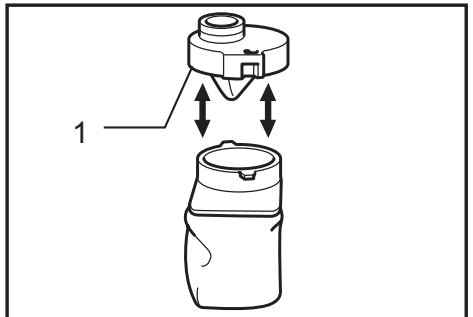


Fig.8

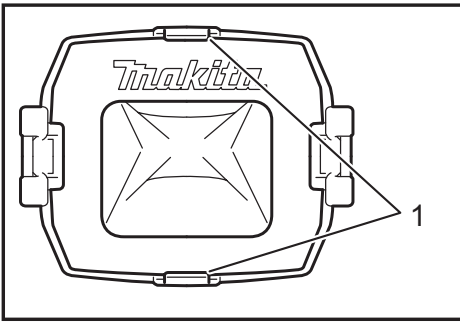


Fig.9

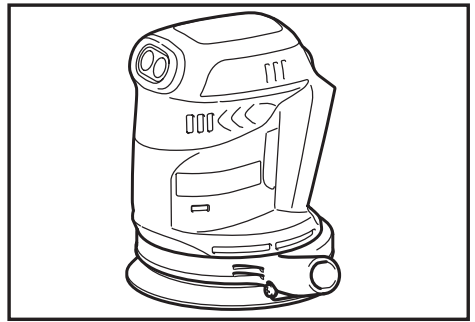


Fig.13

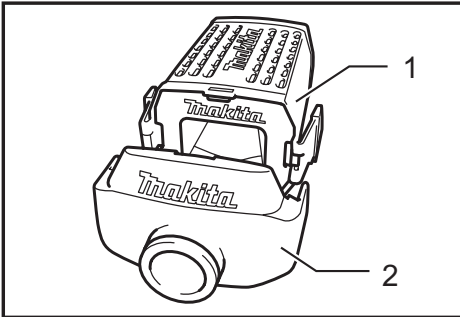


Fig.10

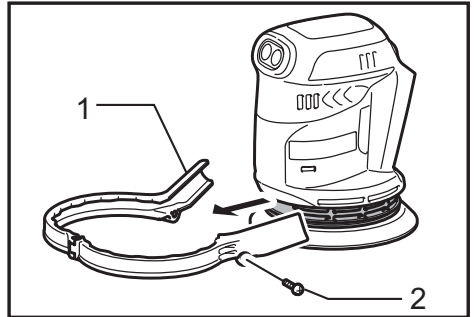


Fig.14

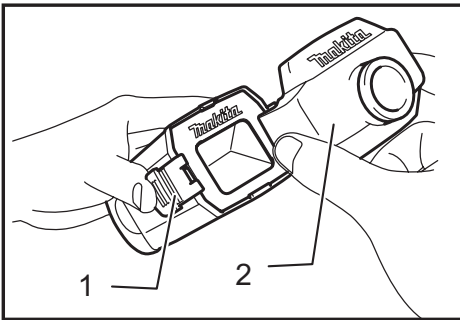


Fig.11

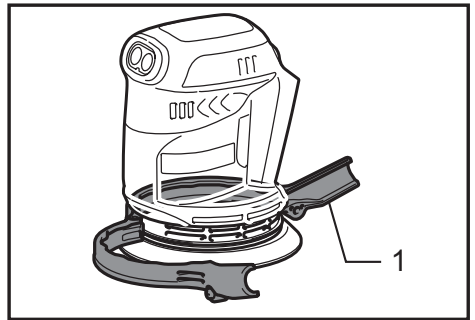


Fig.15

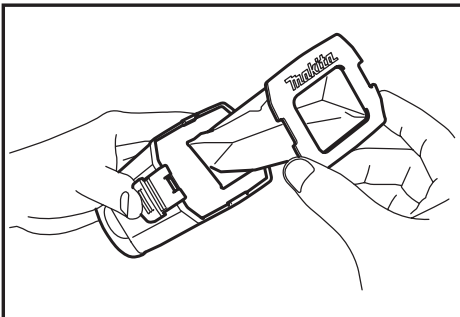


Fig.12

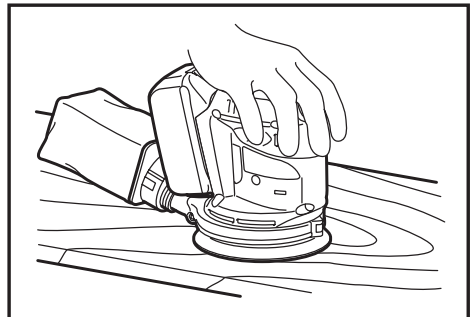


Fig.16

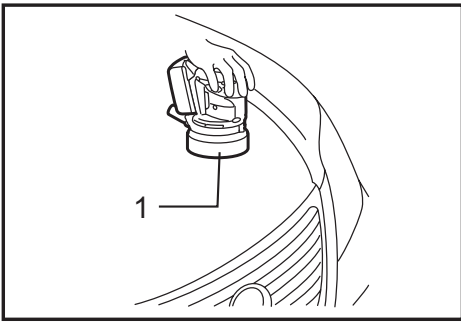


Fig.17

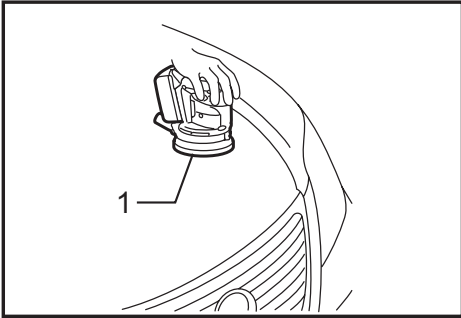


Fig.18

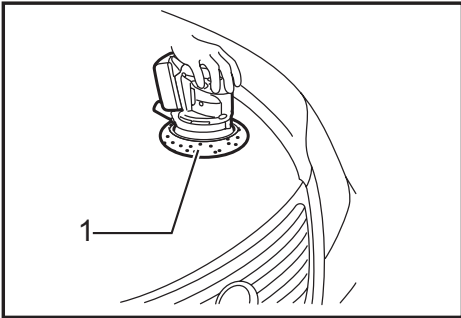


Fig.19

SPECIFICATIONS

Model		DBO140	DBO180
Paper size		125 mm	
Orbits per minute(min ⁻¹)	Low speed	7,000	
	Middle speed	9,500	
	High speed	11,000	
Dimensions		175 mm x 123 mm x 153 mm	
Net weight		1.3 - 1.6 kg	1.4 - 1.7 kg
Rated voltage		D.C. 14.4V	D.C. 18V

- Due to our continuing program of research and development, the specifications herein are subject to change without notice.
- Specifications may differ from country to country.
- The weight may differ depending on the attachment(s), including the battery cartridge. The lightest and heaviest combination, according to EPTA-Procedure 01/2014, are shown in the table.

Applicable battery cartridge and charger

Battery cartridge	D.C.14.4 V Model	BL1415N / BL1430 / BL1430B / BL1440 / BL1450 / BL1460B
	D.C.18 V Model	BL1815N / BL1820 / BL1820B / BL1830 / BL1830B / BL1840 / BL1840B / BL1850 / BL1850B / BL1860B
Charger		DC18RC / DC18RD / DC18RE / DC18SD / DC18SE / DC18SF

- Some of the battery cartridges and chargers listed above may not be available depending on your region of residence.

⚠WARNING: Only use the battery cartridges and chargers listed above. Use of any other battery cartridges and chargers may cause injury and/or fire.

Intended use

The tool is intended for the sanding of large surface of wood, plastic and metal materials as well as painted surfaces.

Noise

The typical A-weighted noise level determined according to EN62841:

Model DBO140

Sound pressure level (L_{pA}): 78 dB (A)

Uncertainty (K): 3 dB (A)

The noise level under working may exceed 80 dB (A).

Model DBO180

Sound pressure level (L_{pA}): 77 dB (A)

Uncertainty (K): 3 dB (A)

The noise level under working may exceed 80 dB (A).

NOTE: The declared noise emission value(s) has been measured in accordance with a standard test method and may be used for comparing one tool with another.

NOTE: The declared noise emission value(s) may also be used in a preliminary assessment of exposure.

⚠WARNING: Wear ear protection.

⚠WARNING: The noise emission during actual use of the power tool can differ from the declared value(s) depending on the ways in which the tool is used especially what kind of workpiece is processed.

⚠WARNING: Be sure to identify safety measures to protect the operator that are based on an estimation of exposure in the actual conditions of use (taking account of all parts of the operating cycle such as the times when the tool is switched off and when it is running idle in addition to the trigger time).

Vibration

The vibration total value (tri-axial vector sum) determined according to EN62841:

Model DBO140

Work mode : sanding metal plate

Vibration emission (a_h): 2.5 m/s² or less

Uncertainty (K): 1.5 m/s²

Model DBO180

Work mode : sanding metal plate

Vibration emission (a_h): 2.5 m/s² or less

Uncertainty (K): 1.5 m/s²

NOTE: The declared vibration total value(s) has been measured in accordance with a standard test method and may be used for comparing one tool with another.

NOTE: The declared vibration total value(s) may also be used in a preliminary assessment of exposure.

⚠WARNING: The vibration emission during actual use of the power tool can differ from the declared value(s) depending on the ways in which the tool is used especially what kind of workpiece is processed.

⚠WARNING: Be sure to identify safety measures to protect the operator that are based on an estimation of exposure in the actual conditions of use (taking account of all parts of the operating cycle such as the times when the tool is switched off and when it is running idle in addition to the trigger time).

EC Declaration of Conformity

For European countries only

The EC declaration of conformity is included as Annex A to this instruction manual.

General power tool safety warnings

⚠WARNING: Read all safety warnings, instructions, illustrations and specifications provided with this power tool. Failure to follow all instructions listed below may result in electric shock, fire and/or serious injury.

Save all warnings and instructions for future reference.

The term "power tool" in the warnings refers to your mains-operated (corded) power tool or battery-operated (cordless) power tool.

SANDER SAFETY WARNINGS

1. Always use safety glasses or goggles. Ordinary eye or sun glasses are NOT safety glasses.
2. Hold the tool firmly.
3. Do not leave the tool running. Operate the tool only when hand-held.
4. This tool has not been waterproofed, so do not use water on the workpiece surface.
5. Ventilate your work area adequately when you perform sanding operations.
6. Some material contains chemicals which may be toxic. Take caution to prevent dust inhalation and skin contact. Follow material supplier safety data.
7. Use of this tool to sand some products, paints and wood could expose user to dust containing hazardous substances. Use appropriate respiratory protection.
8. Be sure that there are no cracks or breakage on the pad before use. Cracks or breakage may cause a personal injury.

SAVE THESE INSTRUCTIONS.

⚠WARNING: DO NOT let comfort or familiarity with product (gained from repeated use) replace strict adherence to safety rules for the subject product. MISUSE or failure to follow the safety rules stated in this instruction manual may cause serious personal injury.

Important safety instructions for battery cartridge

1. Before using battery cartridge, read all instructions and cautionary markings on (1) battery charger, (2) battery, and (3) product using battery.
2. Do not disassemble battery cartridge.
3. If operating time has become excessively shorter, stop operating immediately. It may result in a risk of overheating, possible burns and even an explosion.
4. If electrolyte gets into your eyes, rinse them out with clear water and seek medical attention right away. It may result in loss of your eyesight.
5. Do not short the battery cartridge:
 - (1) Do not touch the terminals with any conductive material.
 - (2) Avoid storing battery cartridge in a container with other metal objects such as nails, coins, etc.
 - (3) Do not expose battery cartridge to water or rain.

A battery short can cause a large current flow, overheating, possible burns and even a breakdown.

6. Do not store the tool and battery cartridge in locations where the temperature may reach or exceed 50 °C (122 °F).
7. Do not incinerate the battery cartridge even if it is severely damaged or is completely worn out. The battery cartridge can explode in a fire.
8. Be careful not to drop or strike battery.
9. Do not use a damaged battery.
10. The contained lithium-ion batteries are subject to the Dangerous Goods Legislation requirements. For commercial transports e.g. by third parties, forwarding agents, special requirement on packaging and labeling must be observed. For preparation of the item being shipped, consulting an expert for hazardous material is required. Please also observe possibly more detailed national regulations. Tape or mask off open contacts and pack up the battery in such a manner that it cannot move around in the packaging.
11. When disposing the battery cartridge, remove it from the tool and dispose of it in a safe place. Follow your local regulations relating to disposal of battery.
12. Use the batteries only with the products specified by Makita. Installing the batteries to non-compliant products may result in a fire, excessive heat, explosion, or leak of electrolyte.
13. If the tool is not used for a long period of time, the battery must be removed from the tool.

SAVE THESE INSTRUCTIONS.

⚠CAUTION: Only use genuine Makita batteries. Use of non-genuine Makita batteries, or batteries that have been altered, may result in the battery bursting causing fires, personal injury and damage. It will also void the Makita warranty for the Makita tool and charger.

Tips for maintaining maximum battery life

1. Charge the battery cartridge before completely discharged. Always stop tool operation and charge the battery cartridge when you notice less tool power.
2. Never recharge a fully charged battery cartridge. Overcharging shortens the battery service life.
3. Charge the battery cartridge with room temperature at 10 °C - 40 °C (50 °F - 104 °F). Let a hot battery cartridge cool down before charging it.
4. Charge the battery cartridge if you do not use it for a long period (more than six months).

FUNCTIONAL DESCRIPTION

⚠ CAUTION:

- Always be sure that the tool is switched off and the battery cartridge is removed before adjusting or checking function on the tool.

Installing or removing battery cartridge

► Fig.1: 1. Red indicator 2. Button 3. Battery cartridge

⚠ CAUTION:

- Always switch off the tool before installing or removing of the battery cartridge.
- **Hold the tool and the battery cartridge firmly when installing or removing battery cartridge.** Failure to hold the tool and the battery cartridge firmly may cause them to slip off your hands and result in damage to the tool and battery cartridge and a personal injury.

To remove the battery cartridge, slide it from the tool while sliding the button on the front of the cartridge. To install the battery cartridge, align the tongue on the battery cartridge with the groove in the housing and slip it into place. Insert it all the way until it locks in place with a little click. If you can see the red indicator on the upper side of the button, it is not locked completely.

⚠ CAUTION:

- Always install the battery cartridge fully until the red indicator cannot be seen. If not, it may accidentally fall out of the tool, causing injury to you or someone around you.
- Do not install the battery cartridge forcibly. If the cartridge does not slide in easily, it is not being inserted correctly.

Battery protection system (Lithium-ion battery with star marking)

► Fig.2: 1. Star marking

Lithium-ion batteries with a star marking are equipped with a protection system. This system automatically cuts off power to the tool to extend battery life.

The tool will automatically stop during operation if the tool and/or battery are placed under one of the following conditions:














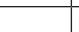



- **Overloaded:**
The tool is operated in a manner that causes it to draw an abnormally high current. In this situation, stop the application that caused the tool to become overloaded. Then press the start/speed adjusting button again to restart.
If the tool does not start, the battery is overheated. In this situation, let the battery cool before pressing the start/speed adjusting button.
- **Low battery voltage:**
The remaining battery capacity is too low and the tool will not operate. In this situation, remove and recharge the battery.

Indicating the remaining battery capacity

Only for battery cartridges with the indicator

► Fig.3: 1. Indicator lamps 2. Check button

Press the check button on the battery cartridge to indicate the remaining battery capacity. The indicator lamps light up for a few seconds.

Indicator lamps			Remaining capacity
 Lighted	 Off	 Blinking	
			75% to 100%
			50% to 75%
			25% to 50%
			0% to 25%
			Charge the battery.
			The battery may have malfunctioned.
			

NOTE: Depending on the conditions of use and the ambient temperature, the indication may differ slightly from the actual capacity.

Switch action and speed adjusting button

► **Fig.4:** 1. Stop button 2. Start/speed adjusting button

To start the tool, press the start/speed adjusting button. The tool starts with high speed mode. Each time you press the start/speed adjusting button, the speed mode changes in an order of hi speed, middle speed, and low speed.

To stop the tool, press the stop button.

Refer to the table for the relationship between the speed mode and the kind of work.

Speed mode	Number of rotations	Usage
High	11,000	Regular sanding
Middle	9,500	Finish sanding
Low	7,000	Polishing

NOTE:

- The table shows standard applications. They may differ under certain conditions.

ASSEMBLY

⚠ CAUTION:

- Always be sure that the tool is switched off and the battery cartridge is removed before carrying out any work on the tool.

Installing abrasive disc

► **Fig.5:** 1. Pad 2. Abrasive disc

To install the abrasive disc, first remove all dirt or foreign matter from the pad. Then attach the abrasive disc to the pad. Be careful to align the holes in the abrasive disc with those in the pad.

Installing dust bag (optional accessory)

► **Fig.6:** 1. Dust bag

Install the dust bag on the tool with its mouth directing downwards.

Emptying dust bag

► **Fig.7:** 1. Dust nozzle

When the dust bag is about half full, switch off the tool, and remove the dust bag from the tool. Then remove the dust nozzle from the dust bag after unlocking the dust nozzle by turning it slightly counterclockwise.

Empty the dust bag by tapping it lightly.

► **Fig.8:** 1. Dust nozzle

After emptying the dust bag, install the dust nozzle on the dust bag. Turn the dust nozzle slightly clockwise to lock it in place. Then install the dust bag on the tool as described in "Installing dust bag".

Installing paper filter bag (Optional accessory)

► **Fig.9:** 1. Holding tab

Make sure that the logo on the cardboard lip and the logo on the dust box are on the same side, then install the paper filter bag by fitting the cardboard lip in the groove of each holding tab.

► **Fig.10:** 1. Dust box 2. Dust nozzle

Make sure that the logo on the cardboard lip and the logo on the dust nozzle are on the same side, then install the dust nozzle on the dust box.

Removing dust box and paper filter bag

► **Fig.11:** 1. Latch 2. Dust nozzle

Remove the dust nozzle by pushing the two latches.

► **Fig.12**

Remove the paper filter bag first by pinching the logo side of its cardboard lip, then by pulling the cardboard lip downwards to move it out of the holding tab of the dust box.

Removing and reinstalling the skirt

⚠ CAUTION: Do not use the tool without the skirt. Otherwise dust is scattered all over.

► **Fig.13**

You can choose one of 12 directions of the skirt in accordance with your purpose.

► **Fig.14:** 1. Skirt 2. Screw

To remove the skirt, remove the screw and remove the skirt with slightly opening it for both sides.

► **Fig.15:** 1. Skirt

To reinstall the skirt, install it with slightly opening it for both sides. And fasten the screw.

⚠ CAUTION: Do not set the skirt other than the designated angle. Otherwise the tool may be damaged.

OPERATION

⚠ WARNING: Never switch on the tool when it is in contact with the workpiece, it may cause an injury to operator.

Sanding operation

► **Fig.16**

⚠ CAUTION:

- Never run the tool without the abrasive disc. You may seriously damage the pad.
- Never force the tool. Excessive pressure may decrease the sanding efficiency, damage the abrasive disc or shorten tool life.
- Using the tool with the pad edge contacting the workpiece may damage the pad.

Hold the tool firmly. Turn the tool on and wait until it attains full speed. Then gently place the tool on the workpiece surface. Keep the pad flush with the workpiece and apply slight pressure on the tool.

CAUTION: The sanding pad rotates clockwise during the loaded operation, but it may rotate counter-clockwise during the no-load operation.

Polishing operation (optional)

CAUTION:

- Use only a Makita genuine sponge pad, felt pad or wool pad (optional accessories).
- Always operate the tool at low speed to prevent work surfaces from heating abnormally.
- Never force the tool. Excessive pressure may decrease the polishing efficiency and cause motor overload, resulting in tool malfunction.

1. Applying wax

► Fig.17: 1. Sponge pad

Use an optional sponge pad. Apply wax to the sponge pad or work surface. Run the tool at low speed to smooth out wax.

NOTE:

- First, wax a not conspicuous portion of the work surface to make sure that the tool will not scratch the surface or result in uneven waxing.
- The tool starts with high speed mode. Be careful when you start the tool. The wax may be spattered. It is recommended that you spread wax with the tool stopped before starting up the tool. Change the speed mode to low immediately after you start the tool.
- Always run the tool at low speed. Running it at high speed may cause the wax to spatter.

2. Removing wax

► Fig.18: 1. Felt pad

Use an optional felt pad. Run the tool at low speed to remove wax.

3. Polishing

► Fig.19: 1. Wool pad

Use an optional wool pad. Run the tool at low speed and apply the wool pad gently to the work surface.

MAINTENANCE

CAUTION:

- Always be sure that the tool is switched off and the battery cartridge is removed before attempting to perform inspection or maintenance.
- Never use gasoline, benzine, thinner, alcohol or the like. Discoloration, deformation or cracks may result.

To maintain product SAFETY and RELIABILITY, repairs, carbon brush inspection and replacement, any other maintenance or adjustment should be performed by Makita Authorized Service Centers, always using Makita replacement parts.

OPTIONAL ACCESSORIES

CAUTION:

- These accessories or attachments are recommended for use with your Makita tool specified in this manual. The use of any other accessories or attachments might present a risk of injury to persons. Only use accessory or attachment for its stated purpose.

If you need any assistance for more details regarding these accessories, ask your local Makita Service Center.

- Hook-and-loop type abrasive discs (with pre-punched holes)
- Hook-and-loop type sponge pad
- Hook-and-loop type felt pad
- Hook-and-loop type wool pad
- Makita genuine battery and charger
- Dust box
- Paper filter bag
- Dust bag

NOTE:

- Some items in the list may be included in the tool package as standard accessories. They may differ from country to country.

ТЕХНІЧНІ ХАРАКТЕРИСТИКИ

Модель		DBO140	DBO180
Розмір папера		125 мм	
Обертів за хвилину (хв. ⁻¹)	Низька швидкість	7000	
	Середня швидкість	9500	
	Висока швидкість	11000	
Габарити		175 мм x 123 мм x 153 мм	
Чиста вага		1,3 - 1,6 кг	1,4 - 1,7 кг
Номінальна напруга		14,4 В пост. Тока	18 В пост. Тока

- Оскільки наша програма наукових досліджень і розробок триває безперервно, наведені тут технічні характеристики можуть бути змінені без попередження.
- У різних країнах технічні характеристики можуть бути різними.
- Вага може відрізнятися залежно від допоміжного обладнання, наприклад касети з акумулятором. Найлегші та найважчі комплекти, відповідно до стандарту ЕРТА (Європейська асоціація виробників електроінструменту) від січня 01/2014 року, представлено в таблиці.

Застосовна касета з акумулятором і зарядний пристрій

Касета з акумулятором	Модель 14,4 В пост. тока	BL1415N / BL1430 / BL1430B / BL1440 / BL1450 / BL1460B
	Модель 18 В пост. тока	BL1815N / BL1820 / BL1820B / BL1830 / BL1830B / BL1840 / BL1840B / BL1850 / BL1850B / BL1860B
Зарядний пристрій		DC18RC / DC18RD / DC18RE / DC18SD / DC18SE / DC18SF

- Деякі касети з акумулятором і зарядні пристрої, які вказано вище, можуть бути недоступними залежно від вашого регіону або місця перебування.

▲ПОПЕРЕДЖЕННЯ: Використовуйте лише касети з акумулятором і зарядні пристрої, перелічені вище. Використання будь-яких інших касет з акумулятором і зарядних пристроїв може призвести до травмування й/або пожежі.

Призначення

Інструмент призначено для завершального шліфування великих поверхонь деревини, пластмаси та металу а також викрашених поверхонь.

Шум

Рівень шуму за шкалою А у типовому виконанні, визначений відповідно до EN62841:

Модель DBO140

Рівень звукового тиску (L_{pA}): 78 дБ (А)

Похибка (К): 3 дБ (А)

Рівень шуму під час роботи може перевищувати 80 дБ (А).

Модель DBO180

Рівень звукового тиску (L_{pA}): 77 дБ (А)

Похибка (К): 3 дБ (А)

Рівень шуму під час роботи може перевищувати 80 дБ (А).

ПРИМІТКА: Заявлене значення шуму було виміряно відповідно до стандартних методів тестування й може використовуватися для порівняння одного інструмента з іншим.

ПРИМІТКА: Заявлене значення шуму може також використовуватися для попереднього оцінювання впливу.

▲ПОПЕРЕДЖЕННЯ: Користуйтеся засобами захисту органів слуху.

▲ПОПЕРЕДЖЕННЯ: Залежно від умов використання рівень шуму під час фактичної роботи електроінструмента може відрізнятися від заявленого значення вібрації; особливо сильно на це впливає тип деталі, що оброблюється.

▲ПОПЕРЕДЖЕННЯ: Забезпечте належні запобіжні заходи для захисту оператора, що відповідатимуть умовам використання інструмента (слід брати до уваги всі складові робочого циклу, як-от час, коли інструмент вимкнено та коли він починає працювати на холостому ході під час запуску).

Вібрація

Загальна величина вібрації (сума трьох векторів) визначена згідно з EN62841:

Модель DBO140

Режим роботи: шліфування сталевго листа

Вібрація (a_h): 2,5 м/с² або менше

Похибка (К): 1,5 м/с²

Модель DBO180

Режим роботи: шліфування сталевго листа

Вібрація (a_h): 2,5 м/с² або менше

Похибка (К): 1,5 м/с²

ПРИМІТКА: Заявлене загальне значення вібрації було виміряно відповідно до стандартних методів тестування й може використовуватися для порівняння одного інструмента з іншим.

ПРИМІТКА: Заявлене загальне значення вібрації може також використовуватися для попереднього оцінювання впливу.

▲ ПОПЕРЕДЖЕННЯ: Залежно від умов використання вібрація під час фактичної роботи електроінструмента може відрізнитися від заявленого значення вібрації; особливо сильно на це впливає тип деталі, що оброблюється.

▲ ПОПЕРЕДЖЕННЯ: Забезпечте належні запобіжні заходи для захисту оператора, що відповідатимуть умовам використання інструмента (слід брати до уваги всі складові робочого циклу, як-от час, коли інструмент вимкнено та коли він починає працювати на холостому ході під час запуску).

Декларація про відповідність стандартам ЄС

Тільки для країн Європи

Декларацію про відповідність стандартам ЄС наведено в Додатку А до цієї інструкції з експлуатації.

Загальні застереження щодо техніки безпеки при роботі з електроінструментами

▲ ПОПЕРЕДЖЕННЯ: Уважно ознайомтеся з усіма попередженнями про дотримання правил техніки безпеки, інструкціями, ілюстраціями та технічними характеристиками, що стосуються цього електроінструмента. Невиконання будь-яких інструкцій, перелічених нижче, може призвести до ураження електричним струмом, пожежі та/або тяжких травм.

Збережіть усі інструкції з техніки безпеки та експлуатації на майбутнє.

Термін «електроінструмент», зазначений у інструкції з техніки безпеки, стосується електроінструмента, який функціонує від електромережі (електроінструмент з кабелем живлення), або електроінструмента з живлення від батареї (безпроводний електроінструмент).

ПОПЕРЕДЖЕННЯ ПРО НЕОБХІДНУ ОБЕРЕЖНІСТЬ ПІД ЧАС РОБОТИ ЗІ ШЛІФУВАЛЬНОЮ МАШИНОЮ

1. Слід завжди одягати захисні окуляри або лінзи. Звичайні окуляри або темні окуляри для захисту від сонця НЕ Є захисними окулярами.
2. Міцно тримайте інструмент.
3. Не залишайте інструмент працюючим. Працюйте з інструментом тільки тоді, коли тримаєте його в руках.

4. Цей інструмент не має гідроізоляції, тому не слід додавати води на поверхню деталі.
5. Під час шліфування обов'язково перевіряйте приміщення.
6. Деякі матеріали мають у своєму складі токсичні хімічні речовини. Будьте уважні, щоб запобігти вдихання пилу та контактів зі шкірою. Дотримуйтеся правил техніки безпеки виробника матеріалу.
7. Під час шліфування цим інструментом деяких виробів, фарб та деревини можуть утворюватися небезпечні речовини з пилом. Слід користуватися відповідними засобами захисту органів подиху.
8. Перед початком роботи перевірте, щоб підкладка не була тріснутою або пошкодженою. Тріщини або полонка можуть призвести до поранення.

ЗБЕРІГАЙТЕ ЦІ ВКАЗІВКИ.

▲ ПОПЕРЕДЖЕННЯ: НИКОЛИ НЕ СЛІД втрачати пильності та розслаблюватися під час користування виробом (що трапляється при частому використанні); слід завжди строго дотримуватися правил безпеки під час використання цього пристрою. **НЕНАЛЕЖНЕ ВИКОРИСТАННЯ** або недотримання правил безпеки, викладених в цьому документі, може призвести до серйозних травм.

Важливі інструкції з безпеки для касети з акумулятором

1. Перед тим як користуватися касетою з акумулятором, слід прочитати всі інструкції та застережні знаки щодо (1) зарядного пристрою акумулятора, (2) акумулятора та (3) виробів, що працюють від акумулятора.
2. Не слід розбирати касету з акумулятором.
3. Якщо період роботи дуже покоротав, слід негайно припинити користування. Це може призвести до виникнення ризику перегріву, опіку та навіть вибуху.
4. У разі потрапляння електроліту в очі слід промити їх чистою водою та негайно звернутися до лікаря. Це може призвести до втрати зору.
5. Не закоротіть касету з акумулятором.
 - (1) Не слід торкатися клем будь-яким струмопровідним матеріалом.
 - (2) Не слід зберігати касету з акумулятором у ємності з іншими металевими предметами, такими як цвяхи, монети тощо.
 - (3) Не залишайте касету з акумулятором під дощем, запобігайте контакту з водою.Коротке замикання може призвести до появи значного струму, перегріву, можливих опіків та навіть виходу з ладу.
6. Не слід зберігати інструмент та касету з акумулятором в місцях, де температура може сягнути чи перевищити 50°C (122°F).

7. Не слід спалювати касету з акумулятором, навіть якщо вона була неодноразово пошкоджена або повністю спрацьована. Касета з акумулятором може вибухнути у вогні.
8. Не слід кидати або ударяти акумулятор.
9. Не слід використовувати пошкоджений акумулятор.
10. Літій-іонні акумулятори, що містяться в інструменті, мають відповідати вимогам законів про небезпечні товари. Під час транспортування за допомогою комерційних перевезень, наприклад із залученням третьої сторони та експедиторів, необхідно дотримуватись особливих вимог, вказаних на пакуванні й у маркуванні.
Під час підготування позиції до відправлення необхідно проконсультуватись зі спеціалістом з небезпечних матеріалів. Крім того, слід виконувати більш докладні національні настанови, якщо такі є. Заклейте відкриті контакти стрічкою або заховайте їх і запакуйте акумулятор таким чином, щоб він не міг рухатися в пакуванні.
11. Для утилізації касети з акумулятором витягніть її з інструмента та утилізуйте безпечним способом. Дотримуйтеся норм місцевого законодавства щодо утилізації акумуляторів.
12. Використовуйте акумулятори лише з виробами, указаними компанією Makita. Установлення акумуляторів у невідповідні вироби може призвести до пожежі, надмірного нагрівання, вибуху чи витоку електроліту.
13. Якщо інструментом не користуватимуться протягом тривалого періоду часу, вийміть акумулятор з інструмента.

ЗБЕРІГАЙТЕ ЦІ ВКАЗІВКИ.

⚠ОБЕРЕЖНО: Використовуйте тільки акумулятори Makita. Використання акумуляторів, інших ніж оригінальні акумулятори Makita, або акумуляторів, конструкцію яких було змінено, може призвести до вибуху акумулятора і спричинити пожежу, травму або пошкодження. У зв'язку з цим також буде анульовано гарантію Makita на інструмент Makita і на зарядний пристрій.

Поради з забезпечення максимального строку експлуатації акумулятора

1. Касету з акумулятором слід заряджати до того, як він розрядиться повністю. Завжди слід зупиняти роботу інструмента та зарядити акумулятор, якщо ви помітили зменшення потужності інструмента.
2. Ніколи не слід заряджати повторно повністю заряджену касету з акумулятором. Перезарядження скорочує строк експлуатації акумулятора.
3. Заряджайте касету з акумулятором при кімнатній температурі 10°C—40°C (50°F—104°F). Перед тим як заряджати касету з акумулятором, слід зачекати, доки вона охолоне.
4. Якщо касета з акумулятором не використовувалася тривалий час (понад шість місяців), її слід зарядити.

ІНСТРУКЦІЯ З ВИКОРИСТАННЯ

⚠ОБЕРЕЖНО:

- Завжди перевіряйте, щоб прилад був вимкнений, а касета з акумулятором була знята, перед регулюванням або перевіркою функціонування інструмента.

Встановлення та зняття касети з акумулятором

- **Рис.1:** 1. Червоний індикатор 2. Кнопка 3. Касета з акумулятором

⚠ОБЕРЕЖНО:

- Завжди вимикайте інструмент перед встановленням або зніманням касети з акумулятором.
- Під час встановлення або зняття касети з акумулятором надійно утримуйте інструмент і касету з акумулятором. Інакше інструмент або касета з акумулятором можуть вислизнути з рук, що може призвести до травм або пошкодження інструмента й касети з акумулятором.

Щоб зняти касету з акумулятором, слід витягнути її з інструмента, натиснувши на кнопку в передній частині касети.

Щоб установити касету з акумулятором, слід сумістити шпонку касети з акумулятором із пазом у корпусі та вставити касету на місце. Уставляйте її, доки не почуєте клацання. Якщо на верхній частині кнопки видно червоний індикатор, це означає, що вона заблокована не повністю.

⚠ОБЕРЕЖНО:

- Завжди уставляйте касету повністю, аж поки червоний індикатор стане невидимим. Якщо цього не зробити, касета може випадково випасти з інструмента та завдати травми вам або людям, що знаходяться поруч.
- Не встановлюйте касету з акумулятором із зусиллям. Якщо касета не вставляється легко, то це означає, що Ви її невірно вставляєте.

Система захисту акумулятора (літій-іонний акумулятор з маркувальною зірочкою)

- **Рис.2:** 1. Маркувальна зірочка

Літій-іонні акумулятори з маркувальною зірочкою оснащені системою захисту. Ця система автоматично вимикає живлення інструмента з метою збільшення робочого часу акумулятора. Інструмент буде автоматично вимкнений під час роботи, якщо він та/або акумулятор знаходиться в таких умовах:

• **Перенавантаження:**

Інструмент споживає струм занадто високої потужності під час роботи.

У такому випадку зупиніть роботу, під час виконання якої інструмент зазнав перенавантаження. Для повторного запуску натисніть кнопку запуску/регулювання швидкості. Якщо інструмент неможливо запустити, це означає, що акумулятор перегрівся. У такому випадку дайте акумулятору охолонути, а потім натисніть кнопку запуску/регулювання швидкості.

• **Низька напруга акумулятора:**

Залишковий заряд акумулятора занадто низький, тому інструмент не буде працювати. У такому разі зніміть та зарядіть акумулятор.

Режим швидкості	Кількість обертів	Використання
Швидко	11000	Звичайне шліфування
Середній	9500	Остаточне шліфування
Повільно	7000	Полірування

ПРИМІТКА:

- У таблиці зазначені стандартні області застосування. За певних умов вони можуть змінюватися.

Відображення залишкового заряду акумулятора

Тільки для касет з акумулятором, які мають індикатори

► **Рис.3:** 1. Індикаторні лампи 2. Кнопка перевірки
Натисніть кнопку перевірки на касеті з акумулятором для відображення залишкового ресурсу акумулятора. Індикаторні лампи загоряться на кілька секунд.

Індикаторні лампи			Залишковий ресурс
Горить	Вимк.	Блимає	
■	□	◐	від 75 до 100%
■ ■ ■ ■	□	□	від 50 до 75%
■ ■	□ □	□ □	від 25 до 50%
■	□ □ □ □	□ □ □ □	від 0 до 25%
◐	□ □ □ □	□ □ □ □	Зарядіть акумулятор.
■ ■ □ □	□ □	■ ■	Можливо, акумулятор вийшов з ладу.

ПРИМІТКА: Залежно від умов використання та температури оточуючого середовища показання можуть незначним чином відрізнятися від дійсного ресурсу.

Кнопка вмикання та регулювання швидкості

► **Рис.4:** 1. Кнопка зупинення 2. Кнопка запуску/регулювання швидкості

Щоб запустити інструмент, натисніть кнопку запуску/регулювання швидкості. Інструмент запускається в режимі високої швидкості. При кожному натисканні кнопки запуску/регулювання швидкості режим швидкості змінюється у такій послідовності: висока, середня та низька швидкість. Для того щоб зупинити інструмент, слід натиснути на кнопку зупинення. Звертайтеся до таблиці відповідності режимів швидкості і типів виконуваної роботи.

КОМПЛЕКТУВАННЯ

⚠ОБЕРЕЖНО:

- Завжди перевіряйте, щоб прилад був вимкнений, а касета з акумулятором була знята, перед тим, як проводити будь-які роботи на інструменті.

Установлення абразивного диска

► **Рис.5:** 1. Підкладка 2. Абразивний диск

Для встановлення абразивного диска слід спочатку усунути бруд та сторонні матеріали з підкладки. Потім треба приєднати абразивний диск до підкладки. Слід бути обережним та сумістити отвори на абразивному диску з отворами на підкладці.

Установлення мішка для пилу (приладдя)

► **Рис.6:** 1. Мішок для пилу

Установіть мішок для пилу таким чином, щоб його патрубок був спрямований униз.

Спорожнення мішка для пилу

► **Рис.7:** 1. Штуцер для пилу

Коли мішок для пилу наповниться наполовину, зніміть його, попередньо вимкнувши інструмент. Потім від'єднайте від мішка штуцер для пилу, трохи повернувши його проти годинникової стрілки. Спорожніть мішок для пилу, злегка його постукуючи.

► **Рис.8:** 1. Штуцер для пилу

Після спорожнення мішка, встановіть на нього штуцер для пилу. Для того, щоб заблокувати штуцер для пилу, його слід трохи повернути по годинниковій стрілці. Потім встановіть мішок для пилу на інструмент, як описано в розділі "Встановлення мішка для пилу".

Встановлення мішка із паперовим фільтром (додаткова приналежність)

► **Рис.9:** 1. Фіксатор

Логотип на картонній рамці й логотип на контейнері для пилу повинні бути на одному боці. Встановіть мішок із паперовим фільтром, вставляючи картонну рамку в паз на кожному з фіксаторів.

► **Рис.10:** 1. Контейнер для пилу 2. Штуцер для пилу

Логотип на картонній рамці й логотип на штуцері для пилу повинні бути на одному боці. Встановіть штуцер для пилу на контейнер для пилу.

Виймання контейнера для пилу і мішка із паперовим фільтром.

► **Рис.11:** 1. Засувка 2. Штуцер для пилу

Витягніть штуцер для пилу натискаючи на два фіксатори.

► **Рис.12**

Вийміть мішок із паперовим фільтром спочатку стискаючи сторону логотипа на його картонній рамці, а потім тягнучи картонну рамку донизу, так що витягти її з фіксатора контейнера для пилу.

Знімання і повторне встановлення спідниці

⚠ОБЕРЕЖНО: Не використовуйте інструмент без спідниці. Інакше у повітрі буде багато пилу.

► **Рис.13**

Ви можете обрати один з 12 напрямів спідниці відповідно до Ваших потреб.

► **Рис.14:** 1. Спідниця 2. Гвинт

Щоб зняти спідницю, викрутіть гвинт, потім зніміть її, злегка розкрити з обох боків.

► **Рис.15:** 1. Спідниця

Щоб встановити спідницю, її треба вставити, злегка розкрити з обох боків. Потім треба затягнути гвинт.

⚠ОБЕРЕЖНО: Установлюйте спідницю тільки під призначеним кутом. Інакше інструмент може пошкодитись.

ЗАСТОСУВАННЯ

⚠ПОПЕРЕДЖЕННЯ: Заборонено вмикати інструмент, коли він торкається деталі, оскільки це може призвести до поранення оператора.

Операція зі шліфування

► **Рис.16**

⚠ОБЕРЕЖНО:

- Заборонено запускати інструмент без абразивного диска. Це може серйозно пошкодити підкладку.
- Не прикладайте силу до інструмента. Надмірний тиск може знизити ефективність полірування, пошкодити абразивний диск або зменшити термін служби інструмента.
- Якщо під час використання інструмента край підкладки торкається деталі, це може пошкодити підкладку.

Інструмент слід тримати міцно. Увімкніть інструмент та заждіть, доки він набере повної швидкості. Потім обережно поставте інструмент на поверхню деталі. Підкладку слід утримувати урівень з деталлю та злегка натискати на інструмент.

⚠ОБЕРЕЖНО: Шліфувальна підкладка обертається по годинниковій стрілці під час роботи під навантаженням, однак під час роботи без навантаження вона може обертатись проти годинникової стрілки.

Полірування (додатково)

⚠ОБЕРЕЖНО:

- Використовуйте тільки оригінальну губочну, повстяну або ватну підкладку (додаткові приналежності).
- Слід завжди експлуатувати інструмент на низькій швидкості, щоб запобігти ненормальному нагріванню поверхні.
- Не прикладайте силу до інструмента. Надмірний тиск може знизити ефективність полірування та призвести до перевантаження мотора та порушень у роботі інструмента.

1. Нанесення воску

► **Рис.17:** 1. Губкова підкладка

Використовуйте додаткову губочну підкладку. Нанесіть віск на губочну підкладку або робочу поверхню. Увімкніть інструмент на низькій швидкості, щоб розтерти віск.

ПРИМІТКА:

- Спочатку слід покрити воском непомітну ділянку робочої поверхні, щоб переконатись в тому, що інструмент не подряпає поверхню, та не наноситиме віск нерівномірно.
- Інструмент запускається в режимі високої швидкості. Будьте обережні під час запуску інструмента. Віск може розлетітись. Рекомендується розподіляти віск перед запуском інструмента. Одразу ж після запуску двигуна установіть режим низької швидкості обертання.
- Інструмент повинен завжди працювати на низькій швидкості. Робота на високій швидкості може призвести до розбризкування воску.

2. Зняття воску

► **Рис.18:** 1. Повстяна підкладка

Використовуйте додаткову повстяну підкладку. Увімкніть інструмент на низькій швидкості, щоб зняти віск.

3. Полірування

► **Рис.19:** 1. Ватна підкладка

Використовуйте додаткову ватну підкладку. Увімкніть інструмент на низькій швидкості та обережно приставте ватну підкладку до робочої поверхні.

ТЕХНІЧНЕ ОБСЛУГОВУВАННЯ

⚠ ОБЕРЕЖНО:

- Завжди перевіряйте, щоб прилад був вимкнений, а касета з акумулятором була знята, перед проведенням перевірки або обслуговування.
- Ніколи не використовуйте газолін, бензин, розріджувач, спирт та подібні речовини. Їх використання може призвести до зміни кольору, деформації та появи тріщин.

Для того, щоб підтримувати БЕЗПЕКУ та НАДІЙНІСТЬ, ремонт, огляд та заміну вугільних щіток, будь-яке інше технічне обслуговування або регулювання мають виконувати уповноважені центри обслуговування "Макіта", де використовуються лише стандартні запчастини "Макіта".

ДОДАТКОВЕ ПРИЛАДДЯ

⚠ ОБЕРЕЖНО:

- Це оснащення або приладдя рекомендовано для використання з інструментами "Макіта", що описані в інструкції з експлуатації. Використання якогось іншого оснащення або приладдя може спричинити травмування. Оснащення або приладдя слід використовувати лише за призначенням.

У разі необхідності, отримати допомогу в більш детальному ознайомленні з оснащенням звертайтеся до місцевого Сервісного центру "Макіта".

- Стандартний наждачний папір з клейкою основою та липучкою (з отворами)
- Губочна підкладка з клейкою основою та липучкою
- Повстяна підкладка з клейкою основою та липучкою
- Ватна підкладка з клейкою основою та липучкою
- Оригінальний акумулятор та заряджаючий пристрій Makita
- Контейнер для пилу
- Мішок із паперовим фільтром
- Мішок для пилу

ПРИМІТКА:

- Деякі елементи списку можуть входити до комплекту інструмента як стандартне приладдя. Вони можуть відрізнятися залежно від країни.

SPECYFIKACJE

Model		DBO140	DBO180
Rozmiar papieru		125 mm	
Liczba oscylacji na minutę (min ⁻¹)	Bieg niski	7 000	
	Prędkość średnia	9 500	
	Bieg wysoki	11 000	
Wymiary		175 mm x 123 mm x 153 mm	
Ciężar netto		1,3 - 1,6 kg	1,4 - 1,7 kg
Napięcie znamionowe		Prąd stały 14,4 V	Prąd stały 18 V

- W związku ze stale prowadzonym przez naszą firmę programem badawczo-rozwojowym niniejsze dane mogą ulec zmianom bez wcześniejszego powiadomienia.
- Dane techniczne mogą różnić się w zależności od kraju.
- Masa może być różna w zależności od osprzętu, w tym akumulatora. W tabeli przedstawiona jest najlżejsza i najcięższa konfiguracja, zgodnie z procedurą EPTA 01/2014.

Kompatybilne akumulatory i ładowarki

Akumulator	Model 14,4 V, prąd stały	BL1415N / BL1430 / BL1430B / BL1440 / BL1450 / BL1460B
	Model 18 V, prąd stały	BL1815N / BL1820 / BL1820B / BL1830 / BL1830B / BL1840 / BL1840B / BL1850 / BL1850B / BL1860B
Ładowarka		DC18RC / DC18RD / DC18RE / DC18SD / DC18SE / DC18SF

- Pewne z wymienionych powyżej akumulatorów i ładowarek mogą być niedostępne w regionie zamieszkania użytkownika.

⚠️ OSTRZEŻENIE: Należy używać wyłącznie akumulatorów i ładowarek wymienionych powyżej. Używanie innych akumulatorów i ładowarek może stwarzać ryzyko wystąpienia obrażeń ciała lub pożaru.

Przeznaczenie

Opisywane narzędzie jest przeznaczone do szlifowania dużych powierzchni materiałów z drewna, tworzywa sztucznego i metalu, jak również do szlifowania powierzchni malowanych.

Hałas

Typowy równoważny poziom dźwięku A określony w oparciu o EN62841:

Model DBO140

Poziom ciśnienia akustycznego (L_{pA}): 78 dB (A)

Niepewność (K): 3 dB (A)

Poziom hałasu podczas pracy może przekraczać 80 dB (A).

Model DBO180

Poziom ciśnienia akustycznego (L_{pA}): 77 dB (A)

Niepewność (K): 3 dB (A)

Poziom hałasu podczas pracy może przekraczać 80 dB (A).

WSKAZÓWKA: Deklarowana wartość emisji hałasu została zmierzona zgodnie ze standardową metodą testową i można ją wykorzystać do porównywania narzędzi.

WSKAZÓWKA: Deklarowaną wartość emisji hałasu można także wykorzystać we wstępnej ocenie narażenia.

⚠️ OSTRZEŻENIE: Nosić ochronniki słuchu.

⚠️ OSTRZEŻENIE: Poziom hałasu wytwarzanego podczas rzeczywistego użytkowania elektronarzędzia może się różnić od wartości deklarowanej w zależności od sposobu użytkowania narzędzia, a w szczególności od rodzaju obrabianego elementu.

⚠️ OSTRZEŻENIE: W oparciu o szacowane narażenie w rzeczywistych warunkach użytkowania należy określić środki bezpieczeństwa w celu zapewnienia ochrony operatora (uwzględniając wszystkie elementy cyklu działania, tj. czas, kiedy narzędzie jest wyłączone i kiedy pracuje na biegu jałowym, a także czas, kiedy jest włączone).

Drgania

Całkowita wartość poziomu drgań (suma wektorów w 3 osiach) określona zgodnie z normą EN62841:

Model DBO140

Tryb pracy: szlifowanie metalowych płyt

Emisja drgań (a_{h1}): 2,5 m/s² lub mniej

Niepewność (K): 1,5 m/s²

Model DBO180

Tryb pracy: szlifowanie metalowych płyt

Emisja drgań (a_{h1}): 2,5 m/s² lub mniej

Niepewność (K): 1,5 m/s²

WSKAZÓWKA: Deklarowana wartość poziomu drgań została zmierzona zgodnie ze standardową metodą testową i można ją wykorzystać do porównywania narzędzi.

WSKAZÓWKA: Deklarowaną wartość poziomu drgań można także wykorzystać w wstępnej ocenie narażenia.

⚠️ OSTRZEŻENIE: Drgania wytwarzane podczas rzeczywistego użytkowania elektronarzędzia mogą się różnić od wartości deklarowanej w zależności od sposobu użytkowania narzędzia, a w szczególności od rodzaju obrabianego elementu.

⚠️ OSTRZEŻENIE: W oparciu o szacowane narażenie w rzeczywistych warunkach użytkownika należy określić środki bezpieczeństwa w celu zapewnienia ochrony operatora (uwzględniając wszystkie elementy cyklu działania, tj. czas, kiedy narzędzie jest wyłączone i kiedy pracuje na biegu jałowym, a także czas, kiedy jest włączone).

Deklaracja zgodności WE

Dotyczy tylko krajów europejskich

Deklaracja zgodności WE jest dołączona jako załącznik A do niniejszej instrukcji obsługi.

Ogólne zasady bezpiecznej eksploatacji elektronarzędzi

⚠️ OSTRZEŻENIE: Należy zapoznać się z ostrzeżeniami dotyczącymi bezpieczeństwa, instrukcjami, ilustracjami i danymi technicznymi dołączonymi do tego elektronarzędzia. Niezastosowanie się do podanych poniżej instrukcji może prowadzić do porażenia prądem, pożaru i/lub poważnych obrażeń ciała.

Wszystkie ostrzeżenia i instrukcje należy zachować do wykorzystania w przyszłości.

Pojęcie „elektronarzędzie”, występujące w wymienionych tu ostrzeżeniach, odnosi się do elektronarzędzia zasilanego z sieci elektrycznej (z przewodem zasilającym) lub do elektronarzędzia akumulatorowego (bez przewodu zasilającego).

OSTRZEŻENIE DOTYCZĄCE BEZPIECZEŃSTWA

1. Należy zawsze używać okularów ochronnych lub gogli. Zwykłe okulary bądź okulary przeciwsłoneczne NIE są okularami ochronnymi.
2. Trzymać narzędzie w sposób niezawodny.
3. Nie pozostawiać załączonego elektronarzędzia. Można uruchomić elektronarzędzie tylko wtedy, gdy jest trzymane w rękach.
4. Opisywane narzędzie nie jest wodoszczelne, więc do szlifowania powierzchni nie wolno używać wody.

5. Podczas szlifowania w miejscu pracy należy zapewnić odpowiednią wentylację.
6. Niektóre materiały zawierają substancje chemiczne, które mogą być toksyczne. Unikać wdychania i kontaktu ze skórą. Przestrzegać przepisów bezpieczeństwa podanych przez dostawcę materiałów.
7. Szlifowanie niektórych materiałów, farb i drewna przy użyciu tego narzędzia może narażać użytkownika na działanie pyłu zawierającego substancje niebezpieczne. Używać odpowiedniej ochrony dróg oddechowych.
8. Przed przystąpieniem do pracy sprawdzić, czy podkładka nie jest popękana. Pęknięcia grożą obrażeniami ciała.

ZACHOWAĆ INSTRUKCJE.

⚠️ OSTRZEŻENIE: NIE WOLNO pozwolić, aby wygoda lub rutyna (nabyta w wyniku wieloletniego używania narzędzia) zastąpiły ściśle przestrzeganie zasad bezpieczeństwa obsługi. NIEWŁAŚCIWE UŻYTKOWANIE narzędzia lub niestosowanie się do zasad bezpieczeństwa podanych w niniejszej instrukcji obsługi może prowadzić do poważnych obrażeń ciała.

Ważne zasady bezpieczeństwa dotyczące akumulatora

1. Przed użyciem akumulatora zapoznać się ze wszystkimi instrukcjami i znakami ostrzegawczymi na (1) ładowarce, (2) akumulatorze i (3) produkcie, w którym będzie używany akumulator.
2. Akumulatora nie wolno rozbierać.
3. Jeśli czas działania uległ znacznemu skróceniu, należy natychmiast przerwać pracę. Może bowiem dojść do przegrzania, ewentualnych poparzeń, a nawet eksplozji.
4. W przypadku przedostania się elektrolitu do oczu, przemyć je czystą wodą i niezwłocznie uzyskać pomoc lekarską. Może on bowiem spowodować utratę wzroku.
5. Nie doprowadzać do zwarcia akumulatora:
 - (1) Nie dotykać styków materiałami przewodzącymi prąd.
 - (2) Unikać przechowywania akumulatora w pojemniku z metalowymi przedmiotami, takimi jak gwoździe, monety itp.
 - (3) Chronić akumulator przed deszczem lub wodą.Zwarcie prowadzi do przepływu prądu elektrycznego o dużym natężeniu i przegrzania akumulatora, co w konsekwencji może grozić poparzeniami a nawet awarią urządzenia.
6. Narzędzia i akumulatora nie wolno przechowywać w miejscach, w których temperatura osiąga bądź przekracza 50°C (122°F).
7. Akumulatorów nie wolno spalać, również tych poważnie uszkodzonych lub całkowicie zużytych. Akumulator może eksplodować w ogniu.

8. **Chronić akumulator przed upadkiem i uderzeniami.**
9. **Nie wolno używać uszkodzonego akumulatora.**
10. **Stanowiące wyposażenie akumulatory litowo-jonowe podlegają przepisom dotyczącym produktów niebezpiecznych.**
Na potrzeby transportu komercyjnego, np. świadzonego przez firmy trzecie czy spedycyjne, należy przestrzegać specjalnych wymagań w zakresie pakowania i oznaczania etykietami. Przygotowanie produktu do wysyłki wymaga skonsultowania się ze specjalistą ds. materiałów niebezpiecznych. Należy także przestrzegać przepisów krajowych, które mogą być bardziej szczegółowe.
Zakleić taśmą lub zaślepić otwarte styki akumulatora oraz zabezpieczyć go, aby nie mógł się przesuwać w opakowaniu.
11. **Jeśli zajdzie konieczność utylizacji akumulatora, należy wyjąć go z narzędzia i przekazać w bezpieczne miejsce. Postępować zgodnie z przepisami lokalnymi dotyczącymi utylizacji akumulatorów.**
12. **Używać akumulatorów tylko z produktami określonymi przez firmę Makita.** Zastosowanie akumulatorów w niezgodnych produktach może spowodować pożar, przegrzanie, wybuch lub wyciek elektrolitu.
13. **Jeśli narzędzie nie będzie używane przez dłuższy czas, należy wyjąć z niego akumulator.**

ZACHOWAĆ NINIEJSZE INSTRUKCJE.

⚠ PRZESTROGA: Używać wyłącznie oryginalnych akumulatorów firmy Makita. Używanie nieoryginalnych akumulatorów firm innych niż Makita lub akumulatorów, które zostały zmodyfikowane, może spowodować wybuch akumulatora i pożar, obrażenia ciała oraz zniszczenie mienia. Stanowi to również naruszenie warunków gwarancji firmy Makita dotyczących narzędzia i ładowarki.

Wskazówki dotyczące zachowania maksymalnej trwałości akumulatora

1. **Akumulator należy naładować zanim zostanie do końca rozładowany. Po zauważeniu spadku mocy narzędzia należy przerwać pracę i naładować akumulator.**
2. **Nie wolno ładować powtórnie w pełni naładowanego akumulatora. Przeladowanie akumulatora skraca jego trwałość.**
3. **Akumulator należy ładować w temperaturze pokojowej w przedziale 10–40°C (50–104°F). W przypadku gorącego akumulatora przed przystąpieniem do ładowania należy poczekać, aż ostygnie.**
4. **Akumulatory niklowo-wodorkowe należy naładować po okresie długiego nieużytkowania (dłuższego niż sześć miesięcy).**

OPIS DZIAŁANIA

⚠ PRZESTROGA:

- Przed przystąpieniem do regulacji lub przeglądu narzędzia upewnić się, czy jest ono wyłączone i czy został wyjęty akumulator.

Wkładanie i wyjmowanie akumulatora

- **Rys.1:** 1. Czerwony wskaźnik 2. Przycisk 3. Akumulator

⚠ PRZESTROGA:

- Przed montażem lub demontażem akumulatora należy wyłączyć narzędzie.
- **Podczas wkładania lub wyjmowania akumulatora należy mocno trzymać narzędzie i akumulator.** W przeciwnym razie mogą one wyslizgnąć się z rąk, powodując uszkodzenie narzędzia lub akumulatora i obrażenia ciała.

Aby wyjąć akumulator, należy przesunąć przycisk znajdujący się w przedniej jego części i wysunąć akumulator. Aby zamontować akumulator, wystarczy wyrównać występ na akumulatorze z rowkiem w obudowie i wsunąć go na swoje miejsce. Akumulator należy wsuwać do oporu, aż się zablokuje, co jest sygnalizowane delikatnym kliknięciem. Jeśli jest widoczny czerwony wskaźnik w górnej części przycisku, akumulator nie został całkowicie zablokowany.

⚠ PRZESTROGA:

- Należy go zamontować całkowicie, tak aby czerwony wskaźnik nie był widoczny. W przeciwnym razie może przypadkowo wypaść z urządzenia, raniąc operatora lub osoby postronne.
- Nie montować akumulatora na siłę. Jeśli akumulator nie daje się swobodnie wsunąć, prawdopodobnie został włożony nieprawidłowo.

System ochrony akumulatora (akumulator litowo-jonowy ze znakiem gwiazdki)

- **Rys.2:** 1. Znak gwiazdki

Akumulatory litowo-jonowe ze znakiem gwiazdki posiadają w system ochrony. System ten automatycznie odcina dopływ prądu do narzędzia w celu wydłużenia żywotności akumulatora.

Narzędzie zostanie automatycznie zatrzymane podczas pracy w następujących sytuacjach związanych z narzędziem/akumulatorem:

- **Przeciążenie:**
Narzędzie pracuje w sposób przyczyniający się do niezwykle wysokiego wzrostu napięcia. W takiej sytuacji należy zatrzymać wykonywanie czynności powodującej przeciążenie narzędzia. Następnie ponownie nacisnąć przycisk Start/regulacji prędkości. Jeżeli narzędzie nie włączy się, akumulator uległ przegrzaniu. W takiej sytuacji należy poczekać, aż akumulator ostygnie przed ponownym naciśnięciem przycisku Start/regulacji prędkości.

- Niskie napięcie akumulatora:
Za niski poziom naładowania akumulatora, aby narzędzie mogło pracować. W takiej sytuacji należy wyjąć akumulator i go naładować.

Wskazanie stanu naładowania akumulatora

Tylko w przypadku akumulatorów ze wskaźnikiem

► **Rys.3:** 1. Lampki wskaźnika 2. Przycisk kontrolny

Nacisnąć przycisk kontrolny na akumulatorze w celu wyświetlenia stanu naładowania akumulatora. Lampki wskaźnika zaświecą się przez kilka sekund.

Lampki wskaźnika			Pozostała energia akumulatora
Świeci się	Wyłączony	Miga	
			75–100%
			50–75%
			25–50%
			0–25%
			Naładować akumulator.
			Akumulator może nie działać poprawnie.

WSKAZÓWKA: Zależnie od warunków użytkowania i temperatury otoczenia, wskazywany poziom może nieznacznie się różnić od rzeczywistego stanu naładowania akumulatora.

Przełączanie trybu pracy i przycisk regulacji prędkości

► **Rys.4:** 1. Przycisk Stop 2. Przycisk Start/regulacji prędkości

Aby włączyć narzędzie, nacisnąć przycisk Start/regulacji prędkości. Narzędzie zostanie uruchomione w trybie wysokiej prędkości. Każde naciśnięcie przycisku Start/regulacji prędkości powoduje zmianę trybu prędkości w kolejności wysoka, średnia i niska prędkość.

Aby wyłączyć narzędzie, nacisnąć przycisk Stop.

W celu sprawdzenia zależności pomiędzy trybem prędkości a trybem pracy patrz tabela.

Tryb prędkości	Liczba obrotów	Użytkowanie
Wysoki	11 000	Szlifowanie normalne
Średnie	9 500	Szlifowanie wykończeniowe
Niski	7 000	Polerowanie

WSKAZÓWKA:

- Tabela przedstawia standardowe zastosowania. Mogą się one różnić w pewnych warunkach.

MONTAŻ

⚠ PRZESTROGA:

- Przed przystąpieniem do jakichkolwiek czynności związanych z obsługą narzędzia należy koniecznie upewnić się, czy jest ono wyłączone i czy akumulator został wyjęty.

Montaż trzcy ściernej

► **Rys.5:** 1. Podkładka 2. Ściernica

Aby zamontować tarczę ścierną, należy w pierwszej kolejności usunąć z podkładki wszelkie zabrudzenia lub ciała obce. Następnie należy zamocować tarczę ścierną do podkładki. W trakcie montażu należy wyosiować otwory tarczy ścierniej z otworami podkładki.

Montaż worka na pył (osprzęt dodatkowy)

► **Rys.6:** 1. Worek na pył

Zamontować worek na pył na narzędziu otworem wlotowym skierowanym w dół.

Opróżnianie worka na pył

► **Rys.7:** 1. Dysza odpylania

Kiedy worek na pył zapełni się mniej więcej do połowy, należy zdemontować go z urządzenia. Następnie należy zdjąć dyszę z worka na pył po jej odblokowaniu poprzez jej lekkie przekręcenie w kierunku odwrotnym do ruchu wskazówek zegara. Opróżnić worek na pył poprzez jego lekkie opukanie.

► **Rys.8:** 1. Dysza odpylania

Po opróżnieniu worka zamontuj na nim dyszę. Aby zablokować dyszę w prawidłowej pozycji, przekręć ją lekko w kierunku zgodnym z ruchem wskazówek zegara. Następnie zamontuj worek na narzędziu w taki sposób, jak opisano w punkcie "Montaż worka na pył".

Montaż papierowego worka na pył (osprzęt dodatkowy)

► **Rys.9:** 1. Element mocujący

Upewnij się, że napisy „Makita” na kartonowym kołnierzu i na pudełku na pył są po tej samej stronie, a następnie zamontuj papierowy worek na pył wkładając kartonowy kołnierz do rowków w elementach mocujących.

► **Rys.10:** 1. Pojemnik na zebrany pył 2. Dysza odpylania

Upewnij się, że napisy „Makita” na kartonowym kołnierzu i na dyszy są po tej samej stronie, a następnie zamontuj dyszę na pudełku na pył.

Usuwanie pudełka na pył i papierowego worka na pył.

► **Rys.11:** 1. Zatrask 2. Dysza odpylania

Zdejmij dyszę naciskając obydwa zatraski.

► **Rys.12**

Wyjmij worek na pył ściskając najpierw kartonowy kołnierz od strony napisu „Makita”, a następnie pociągnij kołnierz do dołu, aby wysunąć go z elementu mocującego.

Demontaż i ponowny montaż osłony

⚠ PRZESTROGA: Nie używać narzędzia bez osłony. W przeciwnym wypadku pył zostanie rozpylony w otoczeniu.

► Rys.13

Istnieje możliwość wyboru ustawienia 12 kierunków osłony w celu jej dopasowanie do wykonywanej czynności.

► Rys.14: 1. Listwa 2. Wkręt

W celu zdemontowania osłony należy odkręcić śrubę i zdjąć osłonę, rozchylając ją lekko z obu stron.

► Rys.15: 1. Listwa

W celu ponownego zamontowania osłony należy ją zamocować, rozchylając ją lekko po obu stronach. Następnie dokręcić śrubę.

⚠ PRZESTROGA: Nie ustawiać osłony pod innym kątem niż zalecany. W przeciwnym razie narzędzie może ulec uszkodzeniu.

DZIAŁANIE

⚠ OSTRZEŻENIE: Nie wolno włączać narzędzia, gdy dotyka ono obrabianego przedmiotu, może bowiem spowodować obrażenia ciała u operatora.

Szlifowanie

► Rys.16

⚠ PRZESTROGA:

- Nie wolno uruchamiać narzędzia bez założonej tarczy ściernej. Można w ten sposób poważnie uszkodzić podkładkę.
- Nie wolno używać nadmiernej siły. Zbyt duży nacisk może przyczynić się do obniżenia wydajności szlifowania, zniszczenia tarczy ściernej i/ lub obniżenia trwałości narzędzia.
- Jeżeli krawędź podkładki będzie się stykać podczas pracy z obrabianym elementem, może ona ulec uszkodzeniu.

Narzędzie trzymać mocno i pewnie. Włączyć urządzenie i zaczekać, aż osiągnie maksymalną prędkość. Następnie delikatnie postawić narzędzie na powierzchni obrabianego elementu. Trzymać podkładkę wyrównaną z obrabianym elementem i lekko dociskać narzędzie.

⚠ PRZESTROGA: Podczas pracy z obciążeniem podkładka szlifująca obraca się w kierunku zgodnym z ruchem wskazówek zegara, ale bez obciążenia może się ona obracać w kierunku odwrotnym do ruchu wskazówek zegara.

Operacja polerowania (opcjonalna)

⚠ PRZESTROGA:

- Stosuj tylko oryginalne podkładki gąbczaste, filcowe lub wełniane marki Makita (osprzęt dodatkowy).
- Zawsze używaj narzędzia ustawionego na niskie obroty - zapobiegnie to nadmiernemu nagraniu powierzchni roboczych.
- Nie wolno używać nadmiernej siły. Nadmierny nacisk może zmniejszyć efektywność polerowania i spowodować przeciążenie silnika, powodując tym samym jego nieprawidłowe działanie.

1. Woskowanie

► Rys.17: 1. Podkładka gąbczasta

Użyj opcjonalnej podkładki gąbczastej. Nałóż wosk na podkładkę gąbczastą lub powierzchnię roboczą. Uruchom narzędzie na niskich obrotach, aby rozprowadzić równomiernie wosk.

WSKAZÓWKA:

- Najpierw nałóż niewielką ilość wosku na powierzchnię roboczą, aby się upewnić, że narzędzie jej nie porysuje i że woskowanie jest równomierne.
- Narzędzie zostanie uruchomione w trybie wysokiej prędkości. Zachować ostrożność podczas uruchamiania narzędzia. Wosk może zostać rozpryskiwany. Zaleca się rozsmarowanie wosku za pomocą wyłączanego narzędzia przed jego uruchomieniem. Niezwłocznie po uruchomieniu narzędzia należy zmienić tryb prędkości na niski.
- Zawsze uruchamiaj narzędzie na niskich obrotach. Praca na wysokich obrotach może spowodować pryskanie wosku.

2. Usuwanie wosku

► Rys.18: 1. Podkładka filcowa

Użyj opcjonalnej podkładki filcowej. Uruchom narzędzie na niskich obrotach, aby usunąć wosk.

3. Polerowanie

► Rys.19: 1. Podkładka wełniana

Użyj opcjonalnej podkładki wełnianej. Uruchom narzędzie na niskich obrotach i przytknij delikatnie wełnianą podkładkę do powierzchni, która ma być wypolerowana.

KONSERWACJA

PRZESTROGA:

- Przed przystąpieniem do przeglądu narzędzia lub jego konserwacji upewnić się, czy jest ono wyłączone i czy akumulator został wyjęty.
- Nie wolno używać benzyny, benzenu, rozpuszczalnika, alkoholu itp. Substancje takie mogą spowodować odbarwienia, odkształcenia lub pęknięcia.

Dla zachowania BEZPIECZEŃSTWA i NIEZAWODNOŚCI wyrobu, naprawy, wymiana szczotek węglowych oraz inne prace konserwacyjne i regulacyjne powinny być wykonywane przez Autoryzowane Centra Serwisowe Makita, wyłącznie przy użyciu części zamiennych Makita.

AKCESORIA OPCJONALNE

PRZESTROGA:

- Zaleca się stosowanie wymienionych akcesoriów i dodatków razem z elektronarzędziem Makita opisanym w niniejszej instrukcji. Stosowanie jakichkolwiek innych akcesoriów i dodatków może stanowić ryzyko uszkodzenia ciała. Stosować akcesoria i dodatki w celach wyłącznie zgodnych z ich przeznaczeniem.

W razie potrzeby, wszelkiej pomocy i szczegółowych informacji na temat niniejszych akcesoriów udziela Państwu lokalne Centra Serwisowe Makita.

- Tarcze ściernie z otworami z zaczepem i pętlą (z otworami)
- Podkładka gąbczasta z zaczepem i pętlą
- Podkładka filcowa z zaczepem i pętlą
- Podkładka wełniana z zaczepem i pętlą
- Oryginalny akumulator i ładowarka firmy Makita
- Pojemnik na zebrany pył
- Papierowy worek na pył
- Worek na pył

WSKAZÓWKA:

- Niektóre pozycje znajdujące się na liście mogą być dołączone do pakietu narzędziowego jako akcesoria standardowe. Mogą to być różne pozycje, w zależności od kraju.

SPECIFICAȚII

Model		DBO140	DBO180
Mărime hârtie		125 mm	
Rotații pe minut (min ⁻¹)	Viteză mică	7.000	
	Turație medie	9.500	
	Viteză mare	11.000	
Dimensiuni		175 mm x 123 mm x 153 mm	
Greutate netă		1,3 - 1,6 kg	1,4 - 1,7 kg
Tensiune nominală		14,4 V cc.	18 V cc.

- Datorită programului nostru continuu de cercetare și dezvoltare, specificațiile pot fi modificate fără o notificare prealabilă.
- Specificațiile pot varia în funcție de țară.
- Greutatea poate diferi în funcție de accesoriu(ii), inclusiv cartușul acumulatorului. În tabel se prezintă combinația cea mai ușoară și cea mai grea, conform Procedurii EPTA 01/2014.

Cartușul acumulatorului și încărcătorul aplicabile

Cartușul acumulatorului	Model de 14,4 V c.c.	BL1415N / BL1430 / BL1430B / BL1440 / BL1450 / BL1460B
	Model de 18 V c.c.	BL1815N / BL1820 / BL1820B / BL1830 / BL1830B / BL1840 / BL1840B / BL1850 / BL1850B / BL1860B
Încărcător		DC18RC / DC18RD / DC18RE / DC18SD / DC18SE / DC18SF

- Este posibil ca unele cartușe ale acumulatorilor și încărcătoare menționate mai sus să nu fie disponibile în funcție de regiunea dvs. de reședință.

⚠️ AVERTIZARE: Utilizați numai cartușele de acumulator și încărcătoarele enumerate mai sus. Utilizarea oricăror altor cartușe de acumulator și încărcătoare poate duce la rănire și/sau incendiu.

Destinația de utilizare

Mașina este destinată șlefuirii suprafețelor mari de lemn, plastic și metal precum și a suprafețelor vopsite.

Zgomot

Nivelul de zgomot normal ponderat A determinat în conformitate cu EN62841:

Model DBO140

Nivel de presiune acustică (L_{pA}): 78 dB (A)

Marjă de eroare (K): 3 dB (A)

Nivelul de zgomot în timpul funcționării poate depăși 80 dB (A).

Model DBO180

Nivel de presiune acustică (L_{pA}): 77 dB (A)

Marjă de eroare (K): 3 dB (A)

Nivelul de zgomot în timpul funcționării poate depăși 80 dB (A).

NOTĂ: Valoarea (valorile) totală(e) a (ale) emisiilor de zgomot declarate a(u) fost măsurată(e) în conformitate cu o metodă de test standard și poate (pot) fi utilizată(e) pentru compararea unei unelte cu alta.

NOTĂ: Valoarea (valorile) totală(e) a (ale) emisiilor de zgomot declarate poate (pot) fi, de asemenea, utilizată(e) într-o evaluare preliminară a expunerii.

⚠️ AVERTIZARE: Purtați echipament de protecție pentru urechi.

⚠️ AVERTIZARE: Emisiile de zgomot în timpul utilizării efective a unelei electrice poate diferi de valoarea (valorile) nivelului declarat, în funcție de modul în care unealta este utilizată, în special ce fel de piesă este prelucrată.

⚠️ AVERTIZARE: Asigurați-vă că identificați măsurile de siguranță pentru a proteja operatorul, acestea fiind bazate pe o estimare a expunerii în condiții reale de utilizare (luând în considerare toate părțile ciclului de operare, precum timpii în care unealta a fost oprită, sau a funcționat în gol, pe lângă timpul de declanșare).

Vibrații

Valoarea totală a vibrațiilor (suma vectorilor tri-axiali) determinată conform EN62841:

Model DBO140

Mod de funcționare: șlefuire placă metalică

Emisie de vibrații (a_h): 2,5 m/s² sau mai puțin

Marjă de eroare (K): 1,5 m/s²

Model DBO180

Mod de funcționare: șlefuire placă metalică

Emisie de vibrații (a_h): 2,5 m/s² sau mai puțin

Marjă de eroare (K): 1,5 m/s²

NOTĂ: Valoarea (valorile) totală(e) a (ale) nivelului de vibrații declarat a (au) fost măsurată(e) în conformitate cu o metodă de test standard și poate (pot) fi utilizată(e) pentru compararea unei unelte cu alta.

NOTĂ: Valoarea (valorile) totală(e) a (ale) nivelului de vibrații declarat poate (pot) fi, de asemenea, utilizată(e) într-o evaluare preliminară a expunerii.

⚠️ AVERTIZARE: Nivelul de vibrații în timpul utilizării efective a unelei electrice poate diferi de valoarea (valorile) nivelului declarat, în funcție de modul în care unealta este utilizată, în special ce fel de piesă este prelucrată.

⚠️ AVERTIZARE: Asigurați-vă că identificați măsurile de siguranță pentru a proteja operatorul, acestea fiind bazate pe o estimare a expunerii în condiții reale de utilizare (luând în considerare toate părțile ciclului de operare, precum timpii în care unealta a fost oprită, sau a funcționat în gol, pe lângă timpul de declanșare).

Declarație de conformitate CE

Numai pentru țările europene

Declarația de conformitate CE este inclusă ca Anexa A în acest manual de instrucțiuni.

Avertismente generale de siguranță pentru mașinile electrice

⚠️ AVERTIZARE: Citiți toate avertismentele privind siguranța, instrucțiunile, ilustrațiile și specificațiile furnizate cu această sculă electrică. Nerespectarea integrală a instrucțiunilor de mai jos poate cauza electrocutări, incendii și/sau vătămări corporale grave.

Păstrați toate avertismentele și instrucțiunile pentru consultări ulterioare.

Termenul „mașină electrică” din avertizări se referă la mașinile dumneavoastră electrice acționate de la rețea (prin cablu) sau cu acumulator (fără cablu).

AVERTISMENTE DE SECURITATE SLEFUIITOR

1. Folosiți întotdeauna viziere sau ochelari de protecție. Ochelarii obișnuiți sau ochelarii de soare NU sunt ochelari de protecție.
2. Țineți bine mașina.
3. Nu lăsați mașina în funcțiune. Folosiți mașina numai când o țineți cu mâinile.
4. Această mașină nu este etanșă la apă, prin urmare nu folosiți apă pe suprafața piesei de prelucrat.
5. Ventilați corespunzător spațiul de lucru atunci când executați operații de șlefuire.

6. Unele materiale conțin substanțe chimice care pot fi toxice. Aveți grijă să nu inhalați praful și evitați contactul cu pielea. Respectați instrucțiunile de siguranță ale furnizorului.
7. Folosirea acestei mașini pentru șlefuirea anumitor produse, vopsele și tipuri de lemn poate expune utilizatorul la substanțe periculoase. Folosiți protecție respiratorie adecvată.
8. Asigurați-vă că nu există fisuri sau rupturi pe taler înainte de utilizare. Fisurile sau rupturile pot provoca vătămări corporale.

PĂSTRAȚI ACESTE INSTRUCȚIUNI.

⚠️ AVERTIZARE: NU permiteți comodității și familiarizării cu produsul (obținute prin utilizare repetată) să înlocuiască respectarea strictă a normelor de securitate pentru acest produs. FOLOSIREA INCORECTĂ sau nerespectarea normelor de securitate din acest manual de instrucțiuni poate provoca vătămări corporale grave.

Instrucțiuni importante privind siguranța pentru cartușul acumulatorului

1. Înainte de a folosi cartușul acumulatorului, citiți toate instrucțiunile și atenționările de pe (1) încărcătorul acumulatorului, (2) acumulator și (3) produsul care folosește acumulatorul.
2. Nu dezmembrați cartușul acumulatorului.
3. Dacă timpul de funcționare s-a redus excesiv, întrerupeți imediat funcționarea. Aceasta poate prezenta risc de supraîncălzire, posibile arsuri și chiar explozie.
4. Dacă electrolitul pătrunde în ochi, clătiți bine ochii cu apă curată și consultați imediat un medic. Există risc de orbire.
5. Nu scurtcircuitați cartușul acumulatorului:
 - (1) Nu atingeți bornele cu niciun material conductor.
 - (2) Evitați depozitarea cartușului acumulatorului la un loc cu alte obiecte metalice cum ar fi cuie, monede etc.
 - (3) Nu expuneți cartușul acumulatorului la apă sau ploaie.Un scurtcircuit al acumulatorului poate provoca un flux puternic de curent electric, supraîncălzire, posibile arsuri și chiar defectarea mașinii.
6. Nu depozitați mașina și cartușul acumulatorului în spații în care temperatura poate atinge sau depăși 50 °C (122 °F).
7. Nu incinerati cartușul acumulatorului chiar dacă acesta este grav deteriorat sau complet uzat. Cartușul acumulatorului poate exploda în foc.
8. Aveți grijă să nu scăpați sau să loviți acumulatorul.

9. **Nu utilizați un acumulator deteriorat.**
10. **Acumulatorii Li-Ion încorporați se supun cerințelor Legislației privind substanțele periculoase.**
 Pentru transporturi comerciale, efectuate de exemplu de către părți terțe, expeditori, trebuie respectate cerințele speciale de ambalare și etichetare.
 Pentru pregătirea articolului care urmează să fie expediat, este necesară consultarea unui expert în materiale periculoase. Vă rugăm să respectați, de asemenea, reglementările naționale, care pot fi mai detaliate.
 Izolați sau acoperiți contactele deschise și împachetați acumulatorul în așa fel încât să nu se poată mișca în ambalaj.
11. **Atunci când eliminați la deșeurii cartușul acumulatorului, scoateți-l din mașină și eliminați-l într-un loc sigur. Respectați normele naționale privind eliminarea la deșeurii a acumulatorului.**
12. **Utilizați acumulatorii numai cu produsele specificate de Makita.** Instalarea acumulatorilor în produse neconforme poate cauza incendii, căldură excesivă, explozii sau scurgeri de electrolit.
13. **Dacă mașina nu este utilizată o perioadă lungă de timp, acumulatorul trebuie scos din acesta.**

PĂSTRAȚI ACESTE INSTRUCȚIUNI.

ATENȚIE: Folosiți numai acumulatori Makita originali. Acumulatorii Makita care nu sunt originali și acumulatorii care au suferit modificări se pot aprinde, provocând incendii, leziuni corporale și daune. De asemenea, anulează garanția oferită de Makita pentru unealta și încărcătorul Makita.

Sfaturi pentru obținerea unei durate maxime de exploatare a acumulatorului

1. **Încărcați cartușul acumulatorului înainte de a se descărca complet. Întrerupeți întotdeauna funcționarea mașinii și încărcați cartușul acumulatorului când observați o scădere a puterii mașinii.**
2. **Nu reîncărcați niciodată un acumulator complet încărcat. Supraîncărcarea va scurta durata de exploatare a acumulatorului.**
3. **Încărcați cartușul acumulatorului la temperatura camerei, între 10 °C - 40 °C (50 °F - 104 °F). Lăsați un acumulator fierbinte să se răcească înainte de a-l încărca.**
4. **Încărcați cartușul acumulatorului în cazul în care nu a fost utilizat pe o perioadă mai lungă (mai mult de șase luni).**

DESCRIERE FUNCȚIONALĂ

ATENȚIE:

- Asigurați-vă întotdeauna că mașina este oprită și cartușul acumulatorului este scos înainte de a ajusta sau verifica funcționarea mașinii.

Instalarea sau scoaterea cartușului acumulatorului

► Fig.1: 1. Indicator roșu 2. Buton 3. Cartușul acumulatorului

ATENȚIE:

- Opriți întotdeauna unealta înainte de montarea sau demontarea cartușului de acumulator.
- **Țineți ferm mașina și cartușul acumulatorului la montarea sau demontarea cartușului.** În caz contrar, acestea vă pot aluneca din mâini, rezultând defectarea lor și posibile accidentări.

Pentru a scoate cartușul acumulatorului, glisați-l din unealtă în timp ce glisați butonul de pe partea frontală a cartușului.

Pentru a instala cartușul acumulatorului, aliniați limba de pe cartușul acumulatorului cu canelura din carcasă și introduceți-l în locaș. Introduceți-l complet, până când se înclichetează în locaș. Dacă puteți vedea indicatorul roșu din partea superioară a butonului, acesta nu este blocat complet.

ATENȚIE:

- Instalați întotdeauna cartușul acumulatorului complet, până când indicatorul roșu nu mai este vizibil. În caz contrar, acesta poate cădea accidental din mașină provocând rănirea dumneavoastră sau a persoanelor din jur.
- Nu forțați cartușul de acumulator la montare. Dacă acesta nu glisează ușor, înseamnă că a fost introdus incorect.

Sistem de protecție a acumulatorului (acumulator litiu-ion cu marcaj stea)

► Fig.2: 1. Marcaj în stea

Acumulatorii litiu-ion cu un marcaj stea sunt echipate cu un sistem de protecție. Acest sistem oprește automat alimentarea mașinii pentru a prelungi durata de viață a bateriei. Mașina se va opri automat în timpul funcționării când mașina și/sau acumulatorul se află într-una din situațiile următoare.

- Suprasarcină:
 Mașina este operată într-o manieră care determină atragerea unui curent de o intensitate anormal de ridicată.
 În această situație, opriți aplicația care a dus la supraîncărcarea mașinii. Apoi apăsați din nou butonul de pornire/reglare turație pentru repornire. Dacă mașina nu pornește, acumulatorul este supraîncălzit. În această situație, lăsați acumulatorul să se răcească înainte de a apăsa butonul de pornire/reglare turație.

- Tensiune scăzută acumulator:
Capacitatea rămasă a bateriei este prea mică, iar mașina nu va funcționa. În această situație, scoateți și reîncărcați acumulatorul.

Indicarea capacității rămase a acumulatorului

Numai pentru cartușe de acumulator cu indicator

► Fig.3: 1. Lămpi indicatoare 2. Buton de verificare

Apăsați butonul de verificare de pe cartușul acumulatorului, astfel încât să se indice capacitățile rămase ale acumulatorului. Lămpile indicatorului vor lumina timp de câteva secunde.

Lămpi indicatoare			Capacitate rămasă
Iluminat	Oprit	Iluminare intermitentă	
■	□	▬	între 75% și 100%
■	■	□	între 50% și 75%
■	□	□	între 25% și 50%
■	□	□	între 0% și 25%
▬	□	□	Încărcați acumulatorul.
■	■	□	Este posibil ca acumulatorul să fie defect.
□	□	■	

NOTĂ: În funcție de condițiile de utilizare și temperatura ambientală, indicația poate fi ușor diferită de capacitatea reală.

Aționare întrerupător și buton de reglare turație

► Fig.4: 1. Buton de oprire 2. Buton de pornire/reglare turație

Pentru a porni mașina, apăsați butonul de pornire/reglare turație. Mașina pornește în modul de turație ridicată. La fiecare apăsare a butonului de pornire/reglare turație, modul de turație se modifică în ordinea: turație ridicată, turație medie și turație joasă.

Pentru a opri mașina, apăsați butonul de oprire.

Consultați tabelul pentru relația dintre modul de turație și tipul de lucrare efectuată.

Mod turație	Număr de rotații	Utilizare
Turație înaltă	11.000	Șlefuire obișnuită
Mijloc	9.500	Șlefuire pentru finisare
Turație joasă	7.000	Lustruire

NOTĂ:

- Tabelul indică aplicații standard. Acestea pot diferi în funcție de condiții.

MONTARE

ATENȚIE:

- Asigurați-vă întotdeauna că mașina este oprită și cartușul acumulatorului este scos înainte de a executa orice lucrări la mașină.

Montarea discului abraziv

► Fig.5: 1. Taler 2. Disc abraziv

Pentru a monta discul abraziv, îndepărtați mai întâi murdăria și materiile străine de pe taler. Apoi atașați discul abraziv la taler. Asigurați-vă că aliniați orificiile din discul abraziv cu cele din taler.

Montarea sacului de praf (accesoriu opțional)

► Fig.6: 1. Sac de praf

Montați sacul de praf pe mașină, cu gura orientată în jos.

Golirea sacului de praf

► Fig.7: 1. Duză de praf

Când sacul de praf este pe jumătate plin, opriți mașina și scoateți sacul de praf din mașină. Apoi demontați duza de praf din sacul de praf după deblocarea duzei prin rotirea ușoară a acesteia în sens invers acelor de ceasornic. Goliți sacul de praf prin lovirea ușoară a acestuia.

► Fig.8: 1. Duză de praf

După golirea sacului de praf, instalați duza de praf pe sacul de praf. Rotiți ușor duza de praf în sens orar pentru a o fixa. Apoi instalați sacul de praf pe mașină în modul descris la "Instalarea sacului de praf".

Instalarea sacului filtrant din hârtie (accesoriu opțional)

► Fig.9: 1. Aripioară de reținere

Asigurați-vă că emblema de pe protuberanța plăcii de fixare și emblema de pe cutia de praf sunt pe aceeași parte, apoi instalați sacul filtrant din hârtie prin introducerea protuberanței plăcii de fixare în canelura fiecărei aripioare de reținere.

► Fig.10: 1. Cutie de praf 2. Duză de praf

Asigurați-vă că emblema de pe protuberanța plăcii de fixare și emblema de pe duza de praf sunt pe aceeași parte, apoi montați duza de praf pe cutia de praf.

Scoaterea cutiei de praf și a sacului filtrant din hârtie

► Fig.11: 1. Zăvor 2. Duză de praf

Scoateți duza de praf apăsând cele două zăvoare.

► Fig.12

Scoateți mai întâi sacul filtrant din hârtie prin plierea părții cu emblema pe protuberanța de pe partea sa a plăcii de fixare, apoi trăgând în jos protuberanța plăcii de fixare pentru a o scoate din aripioara de reținere a cutiei de praf.

Demontarea și remontarea mantalei

⚠️ ATENȚIE: Nu folosiți mașina fără manta. În caz contrar, praful se va împrăști în jur.

► Fig.13

Puteți alege una dintre cele 12 direcții ale mantalei, în funcție de obiectivul dumneavoastră.

► Fig.14: 1. Fustă 2. Șurub

Pentru a demonta mantaua, demontați șurubul și apoi mantaua, deschizând-o ușor din ambele părți.

► Fig.15: 1. Fustă

Pentru a remonta mantaua, montați-o deschizând-o ușor din ambele părți. Apoi fixați șurubul.

⚠️ ATENȚIE: Poziționați mantaua doar în unghiul specificat. În caz contrar, mașina se poate defecta.

FUNCȚIONARE

⚠️ AVERTIZARE: Nu porniți niciodată mașina atunci când aceasta se află în contact cu piesa de prelucrat, deoarece poate vătăma operatorul.

Operația de șlefuire

► Fig.16

⚠️ ATENȚIE:

- Nu folosiți niciodată mașina fără disc abraziv. Puteți avaria serios talerul.
- Nu forțați niciodată mașina. O presare excesivă poate reduce eficiența șlefuirii, poate deteriora discul abraziv sau scurta durata de exploatare a mașinii.
- Folosirea mașinii cu muchia talerului în contact cu piesa de prelucrat poate avaria talerul.

Țineți mașina ferm. Porniți mașina și așteptați să atingă viteza maximă. Apoi așezați cu grijă mașina pe suprafața piesei de prelucrat. Mențineți talerul orizontal pe piesa de prelucrat și aplicați o ușoară presiune asupra mașinii.

⚠️ ATENȚIE: Talerul de șlefuit se rotește în sens orar pe durata funcționării sub sarcină, însă se poate roti în sens anti-orar pe durata funcționării în gol.

Operație de lustruire (opțional)

⚠️ ATENȚIE:

- Folosiți numai talere din burete, talere de păslă sau talere de lână originale de la Makita (accesorii opționale).
- Folosiți întotdeauna mașina la viteză redusă pentru a preveni încălzirea anormală a suprafețelor prelucrate.
- Nu forțați niciodată mașina. O presare excesivă poate reduce eficiența lustruirii și poate supra-solicita motorul, rezultând în funcționarea defectuoasă a mașinii.

1. Aplicarea cerii

► Fig.17: 1. Taler din burete

Folosiți un taler din burete opțional. Aplicați ceară pe talerul din burete sau pe suprafața de prelucrat. Folosiți mașina la viteză redusă pentru a întinde ceara.

NOTĂ:

- Mai întâi, ceruiți o porțiune puțin vizibilă a suprafeței de prelucrat pentru a vă asigura că mașina nu va zgâria suprafața și că ceruirea este uniformă.
- Mașina pornește în modul de turație ridicată. Acordați atenție la pornirea mașinii. Ceara poate fi împrăscată în jur. Se recomandă să întindeți ceara cu mașina oprită, înainte de a porni mașina. Schimbați modul de turație la turație joasă imediat după pornirea mașinii.
- Folosiți mașina întotdeauna la viteză redusă. Folosirea acesteia la viteză mare poate conduce la împrăscierea cerii.

2. Îndepărtarea cerii

► Fig.18: 1. Taler de păslă

Folosiți un taler de păslă opțional. Folosiți mașina la viteză redusă pentru a îndepărta ceara.

3. Lustruire

► Fig.19: 1. Taler de lână

Folosiți un taler de lână opțional. Folosiți mașina la viteză redusă și aplicați ușor talerul de lână pe suprafața de prelucrat.

ÎNTREȚINERE

⚠️ ATENȚIE:

- Asigurați-vă întotdeauna că mașina este oprită și cartușul acumulatorului este scos înainte de a executa lucrările de inspecție și întreținere.
- Nu utilizați niciodată gazolină, benzină, diluant, alcool sau alte substanțe asemănătoare. În caz contrar, pot rezulta decolorări, deformări sau fisuri.

Pentru a menține SIGURANȚA și FIABILITATEA mașinii, reparațiile, schimbarea și verificarea perilor de carbon, precum și orice alte operațiuni de întreținere sau reglare trebuie să fie efectuate numai la Centrele de service autorizat Makita, folosindu-se piese de schimb Makita.

ACCESORII OPȚIONALE

⚠️ ATENȚIE:

- Folosiți accesoriile sau piesele auxiliare recomandate pentru mașina dumneavoastră în acest manual. Utilizarea oricăror alte accesorii sau piese auxiliare poate cauza vătămări. Folosiți accesoriile pentru operațiunea pentru care au fost concepute.

Dacă aveți nevoie de asistență sau de mai multe detalii referitoare la aceste accesorii, adresați-vă centrului local de service Makita.

- Hârtie abrazivă de tip arici (cu găuri perforate)
- Taler din burete de tip arici
- Taler de pâslă de tip arici
- Taler de lână de tip arici
- Acumulator și încărcător original Makita
- Cutie de praf
- Sac filtrant din hârtie
- Sac de praf

NOTĂ:

- Unele articole din listă pot fi incluse ca accesorii standard în ambalajul de scule. Acestea pot diferi în funcție de țară.

TECHNISCHE DATEN

Modell		DBO140	DBO180
Papiergröße		125 mm	
Umdrehungen pro Minute (min ⁻¹)	Niedrige Drehzahl	7.000	
	Mittlere Drehzahl	9.500	
	Hohe Drehzahl	11.000	
Abmessungen		175 mm x 123 mm x 153 mm	
Netto-Gewicht		1,3 - 1,6 kg	1,4 - 1,7 kg
Nennspannung		Gleichspannung 14,4 V	Gleichspannung 18 V

- Wir behalten uns vor, Änderungen der technischen Daten im Zuge der Entwicklung und des technischen Fortschritts ohne vorherige Ankündigung vorzunehmen.
- Die technischen Daten können von Land zu Land unterschiedlich sein.
- Das Gewicht kann abhängig von dem Aufsatz (den Aufsätzen), einschließlich des Akkus, unterschiedlich sein. Die leichteste und die schwerste Kombination, gemäß dem EPTA-Verfahren 01/2014, sind in der Tabelle angegeben.

Zutreffende Akkus und Ladegeräte

Akku	14,4-V-Gleichstrom-Modell	BL1415N / BL1430 / BL1430B / BL1440 / BL1450 / BL1460B
	18-V-Gleichstrom-Modell	BL1815N / BL1820 / BL1820B / BL1830 / BL1830B / BL1840 / BL1840B / BL1850 / BL1850B / BL1860B
Ladegerät		DC18RC / DC18RD / DC18RE / DC18SD / DC18SE / DC18SF

- Einige der oben aufgelisteten Akkus und Ladegeräte sind je nach Ihrem Wohngebiet eventuell nicht erhältlich.

⚠️ WARNUNG: Verwenden Sie nur die oben aufgeführten Akkus und Ladegeräte. Bei Verwendung irgendwelcher anderer Akkus und Ladegeräte besteht Verletzungs- und/oder Brandgefahr.

Verwendungszweck

Das Werkzeug wurde für das Schleifen großer Flächen aus Holz, Kunststoff und Metall sowie lackierter Flächen entwickelt.

Geräusch

Die typischen A-bewerteten Geräuschpegel, bestimmt gemäß EN62841:

Modell DBO140

Schalldruckpegel (L_{pA}): 78 dB (A)

Abweichung (K): 3 dB (A)

Unter Arbeitsbedingungen kann der Schalldruckpegel 80 dB (A) überschreiten.

Modell DBO180

Schalldruckpegel (L_{pA}): 77 dB (A)

Abweichung (K): 3 dB (A)

Unter Arbeitsbedingungen kann der Schalldruckpegel 80 dB (A) überschreiten.

HINWEIS: Der (Die) angegebene(n)

Schallemissionswert(e) wurde(n) im Einklang mit der Standardprüfmethode gemessen und kann (können) für den Vergleich zwischen Werkzeugen herangezogen werden.

HINWEIS: Der (Die) angegebene(n)

Schallemissionswert(e) kann (können) auch für eine Vorbewertung des Gefährdungsgrads verwendet werden.

⚠️ WARNUNG: Einen Gehörschutz tragen.

⚠️ WARNUNG: Die Schallemission während der tatsächlichen Benutzung des Elektrowerkzeugs kann je nach der Benutzungsweise des Werkzeugs, und speziell je nach der Art des bearbeiteten Werkstücks, von dem (den) angegebenen Wert(en) abweichen.

⚠️ WARNUNG: Identifizieren Sie Sicherheitsmaßnahmen zum Schutz des Benutzers anhand einer Schätzung des Gefährdungsgrads unter den tatsächlichen Benutzungsbedingungen (unter Berücksichtigung aller Phasen des Arbeitszyklus, wie z. B. Ausschalt- und Leerlaufzeiten des Werkzeugs zusätzlich zur Betriebszeit).

Schwingung

Schwingungsgesamtwerte (Vektorsumme dreier Achsen) nach EN62841:

Modell DBO140

Arbeitsmodus: Schleifen einer Metallplatte

Schwingungsbelastung (a_{h1}): 2,5 m/s² oder weniger

Abweichung (K): 1,5 m/s²

Modell DBO180

Arbeitsmodus: Schleifen einer Metallplatte

Schwingungsbelastung (a_{h1}): 2,5 m/s² oder weniger

Abweichung (K): 1,5 m/s²

HINWEIS: Der (Die) angegebene(n) Vibrationsgesamtwert(e) wurde(n) im Einklang mit der Standardprüfmethode gemessen und kann (können) für den Vergleich zwischen Werkzeugen herangezogen werden.

HINWEIS: Der (Die) angegebene(n) Vibrationsgesamtwert(e) kann (können) auch für eine Vorbewertung des Gefährdungsgrads verwendet werden.

⚠️ WARNUNG: Die Vibrationsemission während der tatsächlichen Benutzung des Elektrowerkzeugs kann je nach der Benutzungsweise des Werkzeugs, und speziell je nach der Art des bearbeiteten Werkstücks, von dem (den) angegebenen Emissionswert(en) abweichen.

⚠️ WARNUNG: Identifizieren Sie Sicherheitsmaßnahmen zum Schutz des Benutzers anhand einer Schätzung des Gefährdungsgrads unter den tatsächlichen Benutzungsbedingungen (unter Berücksichtigung aller Phasen des Arbeitszyklus, wie z. B. Ausschalt- und Leerlaufzeiten des Werkzeugs zusätzlich zur Betriebszeit).

EG-Konformitätserklärung

Nur für europäische Länder

Die EG-Konformitätserklärung ist als Anhang A in dieser Bedienungsanleitung enthalten.

Allgemeine Sicherheitswarnungen für Elektrowerkzeuge

⚠️ WARNUNG: Lesen Sie alle mit diesem Elektrowerkzeug gelieferten Sicherheitswarnungen, Anweisungen, Abbildungen und technischen Daten durch. Eine Missachtung der unten aufgeführten Anweisungen kann zu einem elektrischen Schlag, Brand und/oder schweren Verletzungen führen.

Bewahren Sie alle Warnungen und Anweisungen für spätere Bezugnahme auf.

Der Ausdruck „Elektrowerkzeug“ in den Warnhinweisen bezieht sich auf Ihr mit Netzstrom (mit Kabel) oder Akku (ohne Kabel) betriebenes Elektrowerkzeug.

SICHERHEITSHINWEISE FÜR DAS SCHLEIFEN

1. Tragen Sie immer Sicherheitsgläser oder Schutzbrillen. Bei gewöhnlichen Brillen und Sonnenbrillen handelt es sich NICHT um Sicherheitsgläser.
2. Halten Sie das Werkzeug fest in der Hand.
3. Lassen Sie das Werkzeug nicht unbeaufsichtigt laufen. Arbeiten Sie nur mit ihm, wenn Sie es in der Hand halten.
4. Dieses Werkzeug ist nicht zum Nass-Schliff geeignet. Verwenden Sie daher kein Wasser auf der Werkstückoberfläche.

5. Beim Schleifbetrieb muss auf eine ausreichende Belüftung des Arbeitsplatzes geachtet werden.
6. Manche Materialien enthalten Chemikalien, die giftig sein können. Geben Sie Acht, dass Sie diese nicht einatmen oder berühren. Lesen Sie die Material-Sicherheitsblätter des Lieferers.
7. Bei manchen Produkten, Lackierungen und Holzverarbeitungen kann der Benutzer beim Schleifen Staub ausgesetzt werden, der Gefahrstoffe enthält. Tragen Sie stets einen ausreichenden Atemschutz.
8. Überprüfen Sie den Schleifteller vor der Verwendung sorgfältig auf Risse oder sonstige Beschädigungen. Risse oder Beschädigungen bergen die Gefahr von Verletzungen.

BEWAHREN SIE DIESE ANWEISUNGEN AUF.

⚠️ WARNUNG: Lassen Sie sich NIE durch Bequemlichkeit oder (aus fortwährendem Gebrauch gewonnener) Vertrautheit mit dem Werkzeug dazu verleiten, die Sicherheitsregeln für das Werkzeug zu missachten. Bei MISSBRÄUCLICHER Verwendung des Werkzeugs oder Missachtung der in diesem Handbuch enthaltenen Sicherheitshinweise kann es zu schweren Verletzungen kommen.

Wichtige Sicherheitsanweisungen für Akku

1. Lesen Sie vor der Benutzung des Akkus alle Anweisungen und Warnhinweise, die an (1) Ladegerät, (2) Akku und (3) Akkuwerkzeug angebracht sind.
2. Unterlassen Sie ein Zerlegen des Akkus.
3. Falls die Betriebszeit beträchtlich kürzer geworden ist, stellen Sie den Betrieb sofort ein. Anderenfalls besteht die Gefahr von Überhitzung, möglichen Verbrennungen und sogar einer Explosion.
4. Falls Elektrolyt in Ihre Augen gelangt, waschen Sie sie mit sauberem Wasser aus, und begeben Sie sich unverzüglich in ärztliche Behandlung. Anderenfalls können Sie Ihre Sehkraft verlieren.
5. Der Akku darf nicht kurzgeschlossen werden:
 - (1) Die Kontakte dürfen nicht mit leitfähigem Material berührt werden.
 - (2) Lagern Sie den Akku nicht in einem Behälter zusammen mit anderen Metallgegenständen, wie z. B. Nägel, Münzen usw.
 - (3) Setzen Sie den Akku weder Wasser noch Regen aus.Ein Kurzschluss des Akkus verursacht starken Stromfluss, der Überhitzung, mögliche Verbrennungen und einen Defekt zur Folge haben kann.
6. Lagern Sie das Werkzeug und den Akku nicht an Orten, an denen die Temperatur 50 °C erreichen oder überschreiten kann.

7. **Versuchen Sie niemals, den Akku zu verbrennen, selbst wenn er stark beschädigt oder vollkommen verbraucht ist. Der Akku kann im Feuer explodieren.**
8. **Achten Sie darauf, dass der Akku nicht fallen gelassen oder Stößen ausgesetzt wird.**
9. **Benutzen Sie keine beschädigten Akkus.**
10. **Die enthaltenen Lithium-Ionen-Akkus unterliegen den Anforderungen der Gefahrgut-Gesetzgebung.**
Für kommerzielle Transporte, z. B. durch Dritte oder Spediteure, müssen besondere Anforderungen zu Verpackung und Etikettierung beachtet werden.
Zur Vorbereitung des zu transportierenden Artikels ist eine Beratung durch einen Experten für Gefahrgut erforderlich. Bitte beachten Sie möglicherweise ausführlichere nationale Vorschriften. Überkleben oder verdecken Sie offene Kontakte, und verpacken Sie den Akku so, dass er sich in der Verpackung nicht umher bewegen kann.
11. **Entfernen Sie den Akku zum Entsorgen vom Werkzeug, und entsorgen Sie ihn an einem sicheren Ort. Befolgen Sie die örtlichen Vorschriften bezüglich der Entsorgung von Akkus.**
12. **Verwenden Sie die Akkus nur mit den von Makita angegebenen Produkten.** Das Einsetzen der Akkus in nicht konforme Produkte kann zu einem Brand, übermäßiger Hitzebildung, einer Explosion oder Auslaufen von Elektrolyt führen.
13. **Soll das Werkzeug längere Zeit nicht benutzt werden, muss der Akku vom Werkzeug entfernt werden.**

DIESE ANWEISUNGEN AUFBEWAHREN.

⚠ VORSICHT: Verwenden Sie nur Original-Makita-Akkus. Die Verwendung von Nicht-Original-Makita-Akkus oder von Akkus, die abgeändert worden sind, kann zum Bersten des Akkus und daraus resultierenden Bränden, Personenschäden und Beschädigung führen. Außerdem wird dadurch die Makita-Garantie für das Makita-Werkzeug und -Ladegerät ungültig.

Hinweise zur Aufrechterhaltung der maximalen Akku-Nutzungsdauer

1. **Laden Sie den Akku, bevor er vollkommen erschöpft ist. Schalten Sie das Werkzeug stets aus, und laden Sie den Akku, wenn Sie ein Nachlassen der Werkzeugleistung feststellen.**
2. **Unterlassen Sie erneutes Laden eines voll aufgeladenen Akkus. Überladen führt zu einer Verkürzung der Nutzungsdauer des Akkus.**
3. **Laden Sie den Akku bei Raumtemperatur zwischen 10 – 40 °C. Lassen Sie einen heißen Akku abkühlen, bevor Sie ihn laden.**
4. **Der Akku muss geladen werden, wenn er lange Zeit (länger als sechs Monate) nicht benutzt wird.**

FUNKTIONSBESCHREIBUNG

⚠ VORSICHT:

- Schalten Sie das Werkzeug stets aus und entfernen Sie den Akkublock, bevor Sie Einstellungen oder eine Funktionsprüfung des Werkzeugs vornehmen.

Montage und Demontage des Akkublocks

► **Abb.1:** 1. Rote Anzeige 2. Taste 3. Akkublock

⚠ VORSICHT:

- Schalten Sie das Werkzeug immer aus, bevor Sie den Akkublock einsetzen oder entnehmen.
- **Halten Sie das Werkzeug und den Akkublock sicher fest, wenn Sie den Akkublock einsetzen oder herausnehmen.** Andernfalls könnte Ihnen das Werkzeug oder der Akkublock aus den Händen fallen, sodass das Werkzeug oder der Akkublock beschädigt werden oder diese Verletzungen verursachen.

Zum Entnehmen des Akkublocks müssen Sie die Taste auf der Vorderseite des Akkublocks schieben und gleichzeitig den Akkublock aus dem Werkzeug herausziehen. Zum Einsetzen des Akkublocks müssen Sie die Zunge des Akkublocks an der Rille im Gehäuse ausrichten und in die gewünschte Position schieben. Setzen Sie den Akkublock ganz ein, bis er mit einem Klick einrastet. Wenn Sie den roten Bereich oben auf der Taste sehen können, ist der Akkublock nicht ganz eingerastet.

⚠ VORSICHT:

- Setzen Sie den Akkublock unbedingt ganz ein, bis der rote Bereich nicht mehr zu sehen ist. Andernfalls kann der Akkublock versehentlich aus dem Werkzeug fallen und Sie oder Personen in Ihrem Umfeld verletzen.
- Setzen Sie den Akkublock nicht mit Gewalt ein. Wenn der Akkublock nicht leicht hineingleitet, ist er nicht richtig angesetzt.

Akku-Schutzsystem (Lithium-Ionen-Akku ist mit einem Stern gekennzeichnet)

► **Abb.2:** 1. Sternmarkierung

Mit einem Stern gekennzeichnete Lithium-Ionen-Akkus verfügen über ein Schutzsystem. Dieses System schaltet die Stromversorgung des Werkzeugs automatisch aus, um die Lebensdauer des Akkus zu verlängern. Unter folgenden Bedingungen des Werkzeugs und/oder des Akkus kann das Werkzeug während des Betriebs automatisch stoppen:

- Überlastet:
Das Werkzeug wird auf eine Weise betrieben, die zu einer anormal hohen Stromaufnahme führt. Stoppen Sie in dieser Situation die Anwendung, die zur Überlastung des Werkzeugs geführt hat. Drücken Sie anschließend zum Neustart die Start-/Drehzahl-Einstelltaste erneut. Wenn das Werkzeug nicht startet, ist der Akku überhitzt. Lassen Sie in dieser Situation den Akku abkühlen, bevor Sie die Start-/Drehzahl-Einstelltaste erneut drücken.

- Spannung des Akkus zu niedrig:
Die noch vorhandene Akkuladung ist zu niedrig, und das Werkzeug startet nicht.
Entnehmen Sie in dieser Situation den Akku und laden Sie den Akku wieder auf.

Anzeigen der Akku-Restkapazität

Nur für Akkus mit Anzeige

► **Abb.3:** 1. Anzeigelampen 2. Prüftaste

Drücken Sie die Prüftaste am Akku, um die Akku-Restkapazität anzuzeigen. Die Anzeigelampen leuchten wenige Sekunden lang auf.

Anzeigelampen			Restkapazität
Erleuchtet	Aus	Blinkend	
			75% bis 100%
			50% bis 75%
			25% bis 50%
			0% bis 25%
			Den Akku aufladen.
			Möglicherweise liegt eine Funktionsstörung im Akku vor.

HINWEIS: Abhängig von den Benutzungsbedingungen und der Umgebungstemperatur kann die Anzeige geringfügig von der tatsächlichen Kapazität abweichen.

Schalterbetätigung und Drehzahl-Einstelltaste

► **Abb.4:** 1. Stoptaste 2. Start-/Drehzahl-Einstelltaste

Betätigen Sie zum Starten des Werkzeugs die Start-/Drehzahl-Einstelltaste. Das Werkzeug startet mit hoher Drehzahl. Bei jeder Betätigung der Start-/Drehzahl-Einstelltaste ändert sich der Drehzahlmodus in der Reihenfolge hohe – mittlere – niedrige Drehzahl. Drücken Sie zum Stoppen des Werkzeugs die Stoptaste. In der Tabelle ist die Beziehung zwischen Drehzahlmodus und der auszuführenden Arbeit aufgeführt.

Drehzahlmodus	Anzahl der Umdrehungen	Verwendung
hoch	11.000	Normales Schleifen
Mittel	9.500	Schwingschleifen
Niedrig	7.000	Polieren

HINWEIS:

- Die Tabelle zeigt Standardanwendungen. Diese können unter bestimmten Umständen abweichen.

MONTAGE

⚠ VORSICHT:

- Schalten Sie das Werkzeug stets aus, und entfernen Sie den Akkublock, bevor Sie Arbeiten am Werkzeug ausführen.

Einbauen einer Schleifscheibe

► **Abb.5:** 1. Schleifteller 2. Schleifscheibe

Zum Einbauen einer Schleifscheibe entfernen Sie zunächst Schmutz und Fremdpartikel vom Teller. Befestigen Sie anschließend die Schleifscheibe auf dem Teller. Richten Sie die Löcher in der Schleifscheibe an denen im Teller aus.

Anbringen des Staubbeutels (Sonderzubehör)

► **Abb.6:** 1. Staubbeutel

Bringen Sie den Staubbeutel mit nach unten gerichteter Öffnung an.

Leeren des Staubbeutels

► **Abb.7:** 1. Absaugstutzen

Schalten Sie das Werkzeug aus, wenn der Staubbeutel etwa halb voll ist, und entfernen Sie den Staubbeutel vom Werkzeug. Entfernen Sie anschließend den Absaugstutzen vom Staubbeutel, nachdem Sie den Absaugstutzen durch eine leichte Linksdrehung gelöst haben. Leeren Sie den Staubbeutel durch leichtes Klopfen.

► **Abb.8:** 1. Absaugstutzen

Nach Leeren des Staubbeutels bringen Sie den Absaugstutzen am Staubbeutel an. Drehen Sie den Absaugstutzen leicht im Uhrzeigersinn an seinem Platz ein. Bringen Sie den Staubbeutel am Werkzeug an, wie unter "Anbringen des Staubbeutels" beschrieben.

Anbringen des Papierfilterbeutels (Sonderzubehör)

► **Abb.9:** 1. Haltelasche

Überprüfen Sie, dass das Logo an der Kartonplatte und das Logo am Staubbeutel auf der gleichen Seite sind, bringen Sie dann den Papierfilterbeutel an, indem Sie die Kartonplattenlasche in die Kerbe jeder Haltelasche einpassen.

► **Abb.10:** 1. Staubbox 2. Absaugstutzen

Überprüfen Sie, dass das Logo an der Kartonplatte und das Logo an der Staubdüse auf der gleichen Seite sind, setzen Sie dann die Staubdüse in den Staubbeutel ein.

Entfernen des Staubbeutels und des Papierfilterbeutels

► **Abb.11:** 1. Riegel 2. Absaugstutzen

Entfernen Sie die Staubdüse, indem Sie die zwei Riegel drücken.

► **Abb.12**

Entfernen Sie zuerst den Papierfilterbeutel, indem Sie die Logoseite der Kartonplattenlasche drücken, und dann die Kartonlasche nach unten ziehen, um den Staubbeutel aus den Haltelaschen herauszunehmen.

Entfernen und Anbringen der Schürze

⚠ VORSICHT: Verwenden Sie das Werkzeug nicht ohne Schürze. Andernfalls fliegt der Staub überall herum.

► Abb.13

Je nach Zweck können Sie aus 12 Ausrichtungen der Schürze wählen.

► Abb.14: 1. Schürze 2. Schraube

Zum Entfernen der Schürze entfernen Sie die Schrauben und dann die Schürze durch leichtes Öffnen an beiden Seiten.

► Abb.15: 1. Schürze

Zum erneuten Anbringen der Schürze öffnen Sie beide Seiten leicht. Und ziehen Sie die Schraube fest.

⚠ VORSICHT: Befestigen Sie die Schürze nur in dem vorgesehenen Winkel. Andernfalls kann das Werkzeug beschädigt werden.

ARBEIT

⚠ WARNUNG: Schalten Sie das Werkzeug niemals ein, wenn sie mit dem Werkstück in Berührung ist, weil sonst Verletzungsgefahr für den Bediener besteht.

Schleifbetrieb

► Abb.16

⚠ VORSICHT:

- Betreiben Sie das Werkzeug niemals ohne Schleifscheibe. Dies kann zu schweren Schäden am Schleifteller führen.
- Verwenden Sie das Werkzeug niemals mit Gewalt. Übermäßiger Druck kann zu einer verminderten Schleifleistung, Beschädigung der Schleifscheibe und einer Verkürzung der Lebensdauer des Werkzeugs führen.
- Wenn Sie das Werkzeug verwenden, während der Tellerrand das Werkstück berührt, kann der Teller beschädigt werden.

Halten Sie das Werkzeug mit festem Griff. Schalten Sie das Werkzeug ein und warten Sie, bis es die volle Drehzahl erreicht hat. Setzen Sie dann das Werkzeug vorsichtig auf die Werkstück-Oberfläche. Halten Sie den Teller flach auf dem Werkstück und üben Sie leichten Druck auf das Werkzeug aus.

⚠ VORSICHT: Der Schleifteller dreht sich unter Last im Uhrzeigersinn, kann sich aber ohne Last auch in Gegenrichtung drehen.

Polieren (optional)

⚠ VORSICHT:

- Verwenden Sie nur Schwammteller, Fellteller und Wollteller von Makita (optionales Zubehör).
- Betreiben Sie das Werkzeug immer bei niedriger Geschwindigkeit, damit sich die Arbeitsoberfläche nicht zu sehr erhitzt.
- Verwenden Sie das Werkzeug niemals mit Gewalt. Übermäßiger Druck kann zu einer verminderten Polierleistung und Überlastung des Motors und letztlich zu einer Fehlfunktion des Werkzeugs führen.

1. Aufbringen von Wachs

► Abb.17: 1. Schwammteller

Verwenden Sie den optionalen Schwammteller. Bringen Sie Wachs auf den Schwammteller oder die Arbeitsoberfläche auf. Lassen Sie das Werkzeug bei niedriger Geschwindigkeit laufen, um das Wachs glatt zu ziehen.

HINWEIS:

- Wachsen Sie zunächst eine nicht sichtbare Stelle der Oberfläche, um sicherzugehen, dass das Werkzeug die Oberfläche nicht zerkratzt oder dass Wachs ungleichmäßig aufgetragen wird.
- Das Werkzeug startet mit hoher Drehzahl. Seien Sie beim Starten des Werkzeugs vorsichtig. Das Schneidwachs kann spitzen. Es wird empfohlen, dass Sie mit gestopptem Werkzeug Wachs auftragen, bevor Sie das Werkzeug starten. Stellen Sie unmittelbar nach dem Starten des Werkzeugs die niedrige Drehzahl ein.
- Betreiben Sie das Werkzeug immer bei niedriger Geschwindigkeit. Wenn Sie das Werkzeug bei hoher Geschwindigkeit laufen lassen, kann das Wachs spritzen.

2. Entfernen von Wachs

► Abb.18: 1. Fellteller

Verwenden Sie einen optionalen Fellteller. Lassen Sie das Werkzeug bei niedriger Geschwindigkeit laufen, um das Wachs zu entfernen.

3. Polieren

► Abb.19: 1. Wollteller

Verwenden Sie einen optionalen Wollteller. Betreiben Sie das Werkzeug bei niedriger Geschwindigkeit, und bringen Sie den Wollteller sanft auf die Arbeitsoberfläche auf.

WARTUNG

⚠ VORSICHT:

- Schalten Sie das Werkzeug stets aus und entfernen Sie den Akkublock, bevor Sie Inspektionen oder Wartungsarbeiten am Werkzeug vornehmen.
- Verwenden Sie zum Reinigen niemals Kraftstoffe, Benzin, Verdünnern, Alkohol oder ähnliches. Dies kann zu Verfärbungen, Verformungen oder Rissen führen.

Zur Aufrechterhaltung der SICHERHEIT und ZUVERLÄSSIGKEIT des Produkts müssen die Reparaturen, die Kontrolle und der Wechsel der Kohlen sowie alle Wartungen und Einstellungen von den autorisierten Servicestellen der Firma Makita und unter Verwendung der Ersatzteile von Makita durchgeführt werden.

SONDERZUBEHÖR

⚠ VORSICHT:

- Für Ihr Werkzeug Makita, das in dieser Anleitung beschrieben ist, empfehlen wir folgende Zubehörteile und Aufsätze zu verwenden. Bei der Verwendung anderer Zubehörteile oder Aufsätze kann die Verletzungsgefahr für Personen drohen. Die Zubehörteile und Aufsätze dürfen nur für ihre festgelegten Zwecke verwendet werden.

Wenn Sie nähere Informationen bezüglich dieses Zubehörs benötigen, wenden Sie sich bitte an Ihre örtliche Servicestelle der Firma Makita.

- Klettverschluss-Schleifscheiben (mit vorgestanzten Löchern)
- Klettverschluss-Schwammteiler
- Klettverschluss-Felteller
- Klettverschluss-Wollteiler
- Originalakku und Ladegerät von Makita
- Staubbox
- Papierfilterbeutel
- Staubbeutel

HINWEIS:

- Einige der in der Liste aufgeführten Elemente sind dem Werkzeugpaket als Standardzubehör beigelegt. Diese können in den einzelnen Ländern voneinander abweichen.

RÉSZLETES LEÍRÁS

Modell	DBO140	DBO180
Papírméret	125 mm	
Körforgás percenként (min ⁻¹)	Alacsony fordulatszám	7 000
	Közepes sebesség	9 500
	Magas fordulatszám	11 000
Méreték	175 mm x 123 mm x 153 mm	
Tiszta tömeg	1,3 - 1,6 kg	1,4 - 1,7 kg
Névleges feszültség	14,4 V, egyenáram	18 V, egyenáram

- Folyamatos kutató- és fejlesztőprogramunk eredményeként az itt felsorolt tulajdonságok figyelmeztetés nélkül megváltozhatnak.
- A tulajdonságok országról országra különbözhetnek.
- A súly a felszerelt tartozékoktól függően változhat, az akkumulátort is beleértve. Az EPTA 01/2014 eljárás szerint meghatározott legnehezebb, illetve legkönnyebb kombináció a táblázatban látható.

Alkalmazható akkumulátorok és töltők

Akkumulátor	14,4 V-os egyenáramú típus	BL1415N / BL1430 / BL1430B / BL1440 / BL1450 / BL1460B
	18 V-os egyenáramú típus	BL1815N / BL1820 / BL1820B / BL1830 / BL1830B / BL1840 / BL1840B / BL1850 / BL1850B / BL1860B
Töltő	DC18RC / DC18RD / DC18RE / DC18SD / DC18SE / DC18SF	

- Lakóhelyétől függően előfordulhat, hogy a fent felsorolt akkumulátorok és töltők nem érhetők el.

▲ FIGYELMEZTETÉS: Csak a fentiekben felsorolt akkumulátorokat és töltőket használja. Bármilyen más akkumulátor vagy töltő használata sérüléseket és/vagy tüzet okozhat.

Rendeltetésszerű használat

A szerszám nagyfelületű faanyagok, műanyagok és fémek, valamint festett felületek csiszolására használható.

Zaj

A tipikus A-súlyozású zajszint, a EN62841 szerint meghatározva:

Típus DBO140

Hangnyomásszint (L_{PA}): 78 dB (A)

Tűrés (K): 3 dB (A)

A zajszint a munkavégzés során meghaladhatja a 80 dB (A) értéket.

Típus DBO180

Hangnyomásszint (L_{PA}): 77 dB (A)

Tűrés (K): 3 dB (A)

A zajszint a munkavégzés során meghaladhatja a 80 dB (A) értéket.

MEGJEGYZÉS: A zajkibocsátás értéke a szabványos vizsgálati eljárásnak megfelelően lett mérve, és segítségével az elektromos kéziszerszámok összehasonlíthatók egymással.

MEGJEGYZÉS: A zajkibocsátás értékének segítségével előzetesen megbecsülhető a rezgésnek való kitettség mértéke.

▲ FIGYELMEZTETÉS: Viseljen fülvédőt!

▲ FIGYELMEZTETÉS: A szerszám zajkibocsátása egy adott alkalmazásnál eltérhet a megadott értéktől a használat módjától, különösen a feldolgozott munkadarab fajtájától függően.

▲ FIGYELMEZTETÉS: Határozza meg a kezelő védelmét szolgáló munkavédelmi lépéseket, melyek az adott munkafeltételek melletti vibrációs hatás becsült mértékén alapulnak (figyelembe véve a munkaciklus elemeit, mint például a gép leállításának és üresjáratának mennyiségét az elindítások száma mellett).

Vibráció

A vibráció teljes értéke (háromtengelyű vektorösszeg) EN62841 szerint meghatározva:

Típus DBO140

Működési mód: fémlemez csiszolása

Rezgéskibocsátás (a_n): 2,5 m/s² vagy kevesebb

Tűrés (K): 1,5 m/s²

Típus DBO180

Működési mód: fémlemez csiszolása

Rezgéskibocsátás (a_n): 2,5 m/s² vagy kevesebb

Tűrés (K): 1,5 m/s²

MEGJEGYZÉS: A rezgés teljes értéke a szabványos vizsgálati eljárásnak megfelelően lett mérve, és segítségével az elektromos kéziszerszámok összehasonlíthatók egymással.

MEGJEGYZÉS: A rezgés teljes értékének segítségével előzetesen megbecsülhető a rezgésnek való kitettség mértéke.

▲FIGYELMEZTETÉS: A szerszám rezgés kibocsátása egy adott alkalmazásnál eltérhet a megadott értéktől a használat módjától, különösen a feldolgozott munkadarab fajtájától függően.

▲FIGYELMEZTETÉS: Határozza meg a kezelő védelmét szolgáló munkavédelmi lépéseket, melyek az adott munkafeltételek melletti vibrációs hatás becsült mértékén alapulnak (figyelembe véve a munkaciklus elemeit, mint például a gép leállításának és üresjáratának mennyiségét az elindítások száma mellett).

EK Megfelelőségi nyilatkozat

Csak európai országokra vonatkozóan

Az EK-megfelelőségi nyilatkozat az útmutató „A” mellékletében található.

A szerszámgépekre vonatkozó általános biztonsági figyelmeztetések

▲FIGYELMEZTETÉS: Olvassa el a szerszámgéphez mellékelt összes biztonsági figyelmeztetést, utasítást, illusztrációt és a műszaki adatokat. A következőkben leírt utasítások figyelmen kívül hagyása elektromos áramütést, tüzet és/vagy súlyos sérülést eredményezhet.

Őrizzon meg minden figyelmeztetést és utasítást a későbbi tájékozódás érdekében.

A figyelmeztetésekből szereplő "szerszámgép" kifejezés az Ön hálózatról (vezetékes) vagy akkumulátorról (vezeték nélküli) működtetett szerszámgépére vonatkozik.

BIZTONSÁGI FIGYELMEZTETÉSEK A CSISZOLÓRA VONATKOZÓAN

1. Mindig viseljen védőszemüveget vagy szemvédőt. A normál szemüvegek vagy a napszemüvegek NEM védőszemüvegek.
2. Tartsa a szerszámot szilárdan.
3. Ne hagyja a szerszámot bekapcsolva. Csak kézzel tartva használja a szerszámot.
4. Ez a szerszám nem vízálló, ezért ne használjon vizet a munkadarab felületén.
5. Megfelelően szellőztesse a munkaterületet ha csiszolási munkát végez.

6. Némelyik anyag mérgező vegyületet tartalmazhat. Gondoskodjon a por belélegzése elleni és érintés elleni védelemlről. Kövesse az anyag szállítójának biztonsági utasításait.
7. Ezen szerszámmal bizonyos termékeket, festékeket és fát csiszolva a felhasználó veszélyes vegyületeket tartalmazó por hatásának teheti ki magát. Használjon megfelelő légzésvédőt.
8. A használat előtt győződjön meg róla, hogy nincsenek repedések vagy törés a betétben. A repedések vagy a törés személyi sérülést okozhat.

ŐRIZZE MEG EZEKET AZ UTASÍTÁSOKAT.

▲FIGYELMEZTETÉS: NE HAGYJA, hogy a kényelem vagy a termék (többszöröri használatból adódó) mind alaposabb ismerete váltsa fel az adott termékre vonatkozó biztonsági előírások szigorú betartását. A **HELYTELEN HASZNÁLAT** és a használati útmutatóban szereplő biztonsági előírások megszegése súlyos személyi sérülésekhez vezethet.

Fontos biztonsági utasítások az akkumulátorra vonatkozóan

1. Az akkumulátor használata előtt tanulmányozza át az akkumulátortól (1), az akkumulátoron (2) és az akkumulátorral működtetett terméken (3) olvasható összes utasítást és figyelmeztető jelzést.
2. Ne szerelje szét az akkumulátort.
3. Ha a működési idő nagyon lerövidült, azonnal hagyja abba a használatot. Ez a túlmelegedés, esetleges égések és akár robbanás veszélyével járhat.
4. Ha elektrolit kerül a szemébe, mossa ki azt tiszta vízzel és azonnal kérjen orvosi segítséget. Ez a látásának elvesztését okozhatja.
5. Ne zárja rövidre az akkumulátort:
 - (1) Ne érjen az érintkezőkhöz elektromosan vezető anyagokkal.
 - (2) Ne tárolja az akkumulátort más fémtárgyakkal, mint pl. szegekkel, érmékkel, stb. egy helyen.
 - (3) Ne tegye ki az akkumulátort víznek vagy esőnek.Az akkumulátor rövidzárlata nagy áramerősséget, túlmelegedést, égéseket, sőt akár meghibásodást is okozhat.
6. Ne tárolja a szerszámot vagy az akkumulátort olyan helyen, ahol a hőmérséklet elérheti vagy meghaladhatja az 50 °C-ot (122 °F).
7. Ne égesse el az akkumulátort még akkor sem, ha az komolyan megsérült vagy teljesen elhasználódott. Az akkumulátor a tűzben felrobbanhat.
8. Vigyázzon, ne hagyja leejtse vagy megüsse az akkumulátort.

9. Ne használjon sérült akkumulátort.
10. A készülékben található lítium-ion akkumulátorokra a veszélyes árukkal kapcsolatos előírások vonatkoznak.

A termék pl. harmadik felek, fuvarozó cégek stb. által történő szállítása esetén minden esetben tartsa szem előtt a csomagoláson és a címkén található speciális követelményeket.

A termék szállításra történő felkészítése esetén vegye fel a kapcsolatot egy veszélyes anyagokkal foglalkozó szakemberrel. Kérjük, hogy az esetlegesen szigorúbb nemzeti előírásokat is vegye figyelembe.

Ragassza le a kiálló érintkezőket, illetve oly módon csomagolja be az akkumulátort, hogy az ne tudjon elmozdulni a csomagolásban.

11. **Az akkumulátor ártalmatlanításakor vegye ki azt a szerszámból, és ártalmatlanítsa egy biztonságos helyen. Az akkumulátor ártalmatlanításakor tartsa be a helyi előírásokat.**
12. **Az akkumulátorokat csak a Makita által megjelölt termékekhez használja.** Ha az akkumulátorokat azokkal nem kompatibilis termékekbe helyezi, az tűzhoz, túlmelegedéshez, robbanáshoz vagy elektrolitszivárgáshoz vezethet.
13. **Ha a szerszám hosszabb ideig nincs használatban, az akkumulátort ki kell venni a szerszámból.**

ŐRIZZE MEG EZEKET AZ UTASÍTÁSOKAT.

⚠ VIGYÁZAT: Csak eredeti Makita akkumulátorokat használjon. A nem eredeti Makita akkumulátorok vagy módosított akkumulátorok használata esetén az akkumulátor felrobbanhat, ami tüzet, személyi sérülést és anyagi kárt okozhat. A Makita szerszámmra és töltőre vonatkozó Makita garanciát is érvénytelenítheti.

Tippek az akkumulátor maximális élettartamának eléréséhez

1. Töltse fel az akkumulátort, mielőtt teljesen lemerülne. Állítsa le a gépet, és töltse fel az akkumulátort, ha a gép erejének csökkenését észleli.
2. Soha ne töltse újra a teljesen feltöltött akkumulátort. A túltöltés csökkenti az akkumulátor élettartamát.
3. Töltse az akkumulátort szobahőmérsékleten, 10 °C - 40 °C (50 °F - 104 °F) között. Töltés előtt hagyja lehűlni a fölforrósodott akkumulátort.
4. Töltse fel az akkumulátort, ha hosszabb ideje (több mint hat hónapja) nem használta azt.

MŰKÖDÉSI LEÍRÁS

⚠ VIGYÁZAT:

- Minden esetben ellenőrizze, hogy a szerszám ki van kapcsolva és az akkumulátor eltávolításra került mielőtt beállít vagy ellenőriz valamilyen funkciót a szerszámon.

Az akkumulátor behelyezése és eltávolítása

► **Ábra1:** 1. Piros jelölés 2. Gomb 3. Akkumulátor

⚠ VIGYÁZAT:

- Mindig kapcsolja ki az eszközt, mielőtt behelyezi vagy eltávolítja az akkumulátort.
- **Az akkumulátort és a szerszámot tartsa erősen, amikor az akkumulátort a szerszámmra helyezi vagy eltávolítja arról.** Amennyiben nem így jár el, a szerszám vagy az akkumulátor a kezéből kicsúszhat és megsérülhet, illetve személyi sérülést okozhat.

Az akkumulátor egység kivételéhez nyomja be az akkumulátor egység elején található gombot, és tolja ki az egységet. Az akkumulátor beszereléséhez illesse az akkumulátor nyelvét a burkolaton található vágatba és csúsztassa a helyére. Egészen addig tolja be, amíg egy kis kattánással a helyére nem ugrik. Ha látható a piros jelölés a gomb felső oldalán, akkor a gomb nem kattant be teljesen.

⚠ VIGYÁZAT:

- Mindig tolja be teljesen az akkumulátort, amíg a piros jelölés el nem tűnik. Ha ez nem történik meg, akkor az akkumulátor kieshet a szerszámból, és Önnek vagy a környezetében másnak sérülést okozhat.
- Ne erőltesse be az akkumulátort. Ha az akkumulátor nem csúszik be könnyedén, akkor nem megfelelően lett behelyezve.

Akkumulátorvédő rendszer (lítiumion akkumulátor csillag jelzéssel)

► **Ábra2:** 1. Csillag jelzés

A csillag jelzéssel ellátott lítiumion akkumulátorok akkumulátorvédő rendszerrel vannak felszerelve. A rendszer automatikusan lekapcsolja a szerszám áramellátását, így megnöveli az akkumulátor élettartamát.

A szerszám használat közben automatikusan leáll, ha a szerszám és/vagy az akkumulátor a következő helyzetbe kerül:

- Túlterhelt:
 - A szerszámot úgy működteti, hogy az szaklatlanul erős áramot vesz fel. Ebben az esetben állítsa le azt az alkalmazást, amelyik a szerszám túlterhelődéséhez vezetett. Ezután nyomja meg ismét a bekapcsoló-/sebességszabályozó gombot az újraindításhoz.
 - Ha a szerszám nem indul el, az akkumulátor túlmelegedett. Ebben az esetben hagyja lehűlni az akkumulátort mielőtt megnyomja a bekapcsoló-/sebességszabályozó gombot.

- Az akkumulátor töltöttsége alacsony:
Az akkumulátor fennmaradó töltöttsége túl alacsony, a szerszámot nem tudja működtetni. Ilyenkor távolítsa el, és töltsé fel az akkumulátort.

Az akkumulátor töltöttségének jelzése

Csak állapotjelzős akkumulátorok esetén

► **Ábra3:** 1. Jelzőlámpák 2. Check (ellenőrzés) gomb

Nyomja meg az ellenőrzőgombot, hogy az akkumulátortöltöttség-jelző megmutassa a hátralévő akkumulátor-kapacitást. Ekkor a töltöttség-szint-jelző lámpák néhány másodpercre kigyulladnak.

Jelzőlámpák			Töltöttségi szint
Világító lámpa	KI	Villogó lámpa	
■	□	■	75%-tól 100%-ig
■	■	■	50%-tól 75%-ig
■	□	□	25%-tól 50%-ig
■	□	□	0%-tól 25%-ig
■	□	□	Töltsé fel az akkumulátort.
■	□	□	Lehetséges, hogy az akkumulátor meghibásodott.
□	□	■	

MEGJEGYZÉS: Az adott munkafeltételektől és a környezeti hőmérsékletétől függően a jelzett töltöttségi szint némileg eltérhet a tényleges töltöttségi szinttől.

Kapcsolja át az működtető- és a sebességszabályozó gombot

► **Ábra4:** 1. Kikapcsológomb 2. Bekapcsoló-/sebességszabályozó gomb

A szerszám elindításához nyomja meg a bekapcsoló-/sebességszabályozó gombot. A szerszám magas sebességfokozaton indul. Minden alkalommal, amikor megnyomja a bekapcsoló-/sebességszabályozó gombot, a fordulatszám magas, közepes, alacsony fordulatszám sorrendjében vált. A szerszám kikapcsolásához nyomja meg a kikapcsológombot. A fordulatszám és a munkatípus közötti összefüggéshez lásd a táblázatot.

Sebesség mód	Forgások száma	Használat
Magas	11000	Normál csiszolás
Középső	9500	Finomcsiszolás
Alacsony	7000	Polírozás

MEGJEGYZÉS:

- A táblázat a szabványos alkalmazásokat mutatja. Ezek bizonyos körülmények között eltérőek lehetnek.

ÖSSZESZERELÉS

⚠ VIGYÁZAT:

- Minden esetben ellenőrizze, hogy a szerszám ki van kapcsolva és az akkumulátor eltávolításra került mielőtt bármilyen műveletet végez a szerszámon.

A csiszolókorong felhelyezése

► **Ábra5:** 1. Talp 2. Csiszolókorong

A csiszolókorong felhelyezésekor előbb távolítsa el a szennyeződések és az idegen anyagokat a talpról. Ezután helyezze fel a csiszolókorongot a talpra. Figyeljen oda, hogy a csiszolókorong furatai illeszkedjenek a talp furataihoz.

A porzsák (opcionális tartozék) felhelyezése

► **Ábra6:** 1. Porzsák

Helyezze fel a porzsákat a szerszáma a szájával lefelé mutatva.

A porzsák kiürítése

► **Ábra7:** 1. Porkifúvó

Ha a porzsák körülbelül a feléig van tele, kapcsolja ki a szerszámot, és távolítsa el a porzsákat a szerszámról. Ezután távolítsa el a porkifúvót a porzsákról úgy, hogy kiakaszolja a porkifúvót az óramutató járásával ellentétesen elforgatva azt. Lágy ütogetéssel őrítse ki a porzsákat.

► **Ábra8:** 1. Porkifúvó

A porzsák kiürítése után rakja vissza a porkifúvót a porzsákra. Fordítsa el az óramutató járásának irányába a porkifúvót, hogy a helyére kattanjon. Ezután helyezze vissza a porzsákat a szerszáma a "Porzsák felhelyezése" fejezetben leírtak szerint.

A papír szűrőzsák (opcionális kiegészítő) felhelyezése

► **Ábra9:** 1. Tartófül

Ügyeljen rá, hogy a logó a karton peremén és a porzsák ugyanazon az oldalon legyen, majd helyezze be a papír szűrőzsákot úgy, hogy a karton pereme illeszkedjen a tartófülek bevágásaiba.

► **Ábra10:** 1. Porgyűjtő 2. Porkifúvó

Ügyeljen rá, hogy a logó a papírlemez peremén és a porkifúvón ugyanazon az oldalon legyen, majd szerelje a porkifúvót a porgyűjtőre.

A porgyűjtő és a papír szűrőzsák eltávolítása

► **Ábra11:** 1. Rugós retesz 2. Porkifúvó

A két rugós reteszt benyomva vegye le a porkifúvót.

► **Ábra12**

Távolítsa el a papír szűrőzsákot úgy, hogy előbb megfogja a papírlemez peremét a logó oldalán, majd lefelé húzza a peremet, hogy kiakadjon a porgyűjtő tartófüleiből.

A szoknya eltávolítása és újbóli felhelyezése

⚠ VIGYÁZAT: Ne használja a szerszámot a szoknya nélkül. Különbösen a por szétszóródik mindenhová.

► Ábra13

A célnak megfelelően 12 különböző irányba állíthatja a szoknyát.

► Ábra14: 1. Szegély 2. Csavar

A szoknya eltávolításához távolítsa el a csavart, és távolítsa el a szoknyát úgy, hogy finoman kinyitja mindkét oldalát.

► Ábra15: 1. Szegély

A szoknya visszahelyezéséhez helyezze azt fel úgy, hogy mindkét oldalát kicsit megnyitja. Majd húzza meg a csavart.

⚠ VIGYÁZAT: Kizárólag a kívánt szögbe állítsa a szoknyát. Különbösen a szerszám megsérülhet.

ÜZEMELTETÉS

⚠ FIGYELMEZTETÉS: Soha ne kapcsolja be a szerszámot, ha az érintkezik a munkadarabbal, mert ez a kezelő sérülését okozhatja.

Csiszolás

► Ábra16

⚠ VIGYÁZAT:

- Soha ne működtesse a szerszámot csiszolókorong nélkül. Nagymértékben károsodhat a talp.
- Soha ne erőltesse a szerszámot. A túlzott nyomás csökkentheti a csiszolási hatásfokot, károsítja a csiszolókorongot, vagy csökkenti a szerszám élettartamát.
- Ha a használat közben a talp széle a munkadarabhoz ér, az károsíthatja a talpat.

Erősen fogja a szerszámot. Kapcsolja be a szerszámot és várja meg, amíg eléri a teljes sebességét. Ezután óvatosan helyezze a szerszámot a munkadarab felületére. Tartsa a talpat a munkadarabbal egy szintben és kissé nyomja le a szerszámot.

⚠ VIGYÁZAT: A csiszolótalpat terhelés alatt az óramutató járásának irányába forog, de az ellenkező irányba is foroghat terhelésmentes működésnél.

Polírozási működtetés (opcionális)

⚠ VIGYÁZAT:

- Csak eredeti Makita szivacs talpat, filctalpat vagy gyapjútalpat használjon (opcionális kiegészítők).
- A szerszámot mindig alacsony sebességen üzemeltesse, nehogy a munkafelületek túlhevüljenek.
- Soha ne erőltesse a szerszámot. A túlzott nyomás csökkentheti a polírozási hatásfokot és a motor túlterhelését okozhatja, ami a szerszám meghibásodásához vezet.

1. Fényező használata

► Ábra17: 1. Szivacs talp

Használja az opcionális szivacs talpat. Tegyen fényezőt a szivacs talpra vagy a munkafelületre. Működtesse a szerszámot alacsony sebességen amíg a fényezőt elsimítja.

MEGJEGYZÉS:

- Először fényezze le a munkafelület egy nem látható részét annak ellenőrzésére, hogy a szerszám nem karcolja a felületet és a fényezés egyenletes.
- A szerszám magas sebességfokozaton indul. Legyen óvatos a szerszám elindításakor. A viasz szétfröcskölkölhet. Ajánlott leállítani a szerszámot a viasz felvitele előtt, csak ezután indítsa el a szerszámot. A szerszám elindítása után rögtön állítsa a sebességet alacsony fokozatra.
- A szerszámot mindig alacsony sebességen működtesse. A nagy sebesség a fényező szétfröccsenését okozhatja.

2. A fényező eltávolítása

► Ábra18: 1. Filctalp

Használja az opcionális filctalpat. Működtesse a szerszámot alacsony sebességen a fényező eltávolításához.

3. Polírozás

► Ábra19: 1. Gyapjútalp

Használja az opcionális gyapjútalpat. Működtesse a szerszámot alacsony sebességen és óvatosan munkálja meg a felületet a gyapjútalppal.

KARBANTARTÁS

⚠ VIGYÁZAT:

- Minden esetben ellenőrizze, hogy a szerszám ki van kapcsolva és az akkumulátor eltávolításra került mielőtt átvizsgálja a szerszámot vagy annak karbantartását végzi.
- Soha ne használjon gázolajt, benzint, hígítót, alkoholt vagy hasonló anyagokat. Ezek elszineződést, alakvesztést vagy repedést okozhatnak.

A termék BIZTONSÁGÁNAK és MEGBÍZHATÓSÁGÁNAK fenntartásához, a javításokat, a szénkefék ellenőrzését és cseréjét, bármilyen egyéb karbantartást vagy beszbályozást a Makita Autorizált Szervizközpontoknak kell végrehajtaniuk, mindig Makita pótalkatrészek használatával.

OPCIONÁLIS KIEGÉSZÍTŐK

⚠ VIGYÁZAT:

- Ezek a tartozékok vagy kellékek ajánlottak az Önnek ebben a kézikönyvben leírt Makita szer számához. Bármely más tartozék vagy kellék használata személyes veszélyt vagy sérülést jelenthet. A tartozékot vagy kelléket használja csupán annak kifejezett rendeltetésére.

Ha bármilyen segítségre vagy további információra van szüksége ezekkel a tartozékokkal kapcsolatban, keresse fel a helyi Makita Szervizközpontot.

- Tépőzáras csiszolókorongok (előre perforáltak)
- Tépőzáras szivacstalp
- Tépőzáras filctalp
- Tépőzáras gyapjútalp
- Eredeti Makita akkumulátor és töltő
- Porgyűjtő
- Papír szűrőzsák
- Porzsák

MEGJEGYZÉS:

- A listán felsorolt néhány kiegészítő megtalálható az eszköz csomagolásában standard kiegészítőként. Ezek országonként eltérőek lehetnek.

TECHNICKÉ ÚDAJE

Model		DBO140	DBO180
Veľkosť papiera		125 mm	
Otáčky za minútu (min ⁻¹)	Nízka rýchlosť	7000	
	Stredné otáčky	9500	
	Vysoká rýchlosť	11000	
Rozmery		175 mm x 123 mm x 153 mm	
Hmotnosť netto		1,3 - 1,6 kg	1,4 - 1,7 kg
Menovité napätie		Jednosmerný prúd 14,4 V	Jednosmerný prúd 18 V

- Vzhľadom k neustálemu výskumu a vývoju podliehajú technické údaje uvedené v tomto dokumente zmenám bez upozornenia.
- Technické údaje sa môžu pre rôzne krajiny líšiť.
- Hmotnosť sa môže líšiť v závislosti od nadstavcov vrátane akumulátora. Najľahšia a najťažšia kombinácia v súlade s postupom EPTA 01/2014 je uvedená v tabuľke.

Použiteľné akumulátory a nabíjačky

Akumulátor	Model s jednosmerným napätím 14,4 V	BL1415N / BL1430 / BL1430B / BL1440 / BL1450 / BL1460B
	Model s jednosmerným napätím 18 V	BL1815N / BL1820 / BL1820B / BL1830 / BL1830B / BL1840 / BL1840B / BL1850 / BL1850B / BL1860B
Nabíjačka		DC18RC / DC18RD / DC18RE / DC18SD / DC18SE / DC18SF

- Niektoré vyššie uvedené akumulátory a nabíjačky môžu byť nedostupné v závislosti od miesta vášho bydliska.

VAROVANIE: Používajte iba akumulátory a nabíjačky zo zoznamu uvedeného vyššie. Používanie akýchkoľvek iných akumulátorov a nabíjačiek môže spôsobiť zranenie a/alebo požiar.

Určené použitie

Tento nástroj je určený na pieskovanie veľkých povrchov dreva, plastu a kovových materiálov, ako aj natretých povrchov.

Hluk

Typická hladina akustického tlaku pri záťaži A určená podľa EN62841:

Model DBO140

Hladina akustického tlaku (L_{pA}): 78 dB (A)

Odchýlka (K): 3 dB (A)

Úroveň hluku pri práci môže prekročiť 80 dB (A).

Model DBO180

Hladina akustického tlaku (L_{pA}): 77 dB (A)

Odchýlka (K): 3 dB (A)

Úroveň hluku pri práci môže prekročiť 80 dB (A).

POZNÁMKA: Deklarovaná hodnota emisií hluku bola meraná podľa štandardnej skúšobnej metódy a môže sa použiť na porovnanie jedného nástroja s druhým.

POZNÁMKA: Deklarovaná hodnota emisií hluku sa môže použiť aj na predbežné posúdenie vystavenia ich účinkom.

VAROVANIE: Používajte ochranu sluchu.

VAROVANIE: Emisie hluku sa môžu počas skutočného používania elektrického nástroja odlišovať od deklarovanej hodnoty, a to v závislosti od spôsobov používania náradia a najmä typu spracúvaného obrobku.

VAROVANIE: Nezabudnite označiť bezpečnostné opatrenia s cieľom chrániť obsluhu, a to tie, ktoré sa zakladajú na odhade vystavenia účinkom v rámci reálnych podmienok používania (berúc do úvahy všetky súčasti prevádzkového cyklu, ako sú doby, kedy je nástroj vypnutý a kedy beží bez zaťaženia, ako dodatok k dobe zapnutia).

Vibrácie

Celková hodnota vibrácií (trojosový vektorový súčet) určená podľa normy EN62841:

Model DBO140

Pracovný režim: brúsenie kovovej dosky

Emisie vibrácií (a_{h1}): 2,5 m/s² alebo menej

Odchýlka (K): 1,5 m/s²

Model DBO180

Pracovný režim: brúsenie kovovej dosky

Emisie vibrácií (a_{h1}): 2,5 m/s² alebo menej

Odchýlka (K): 1,5 m/s²

POZNÁMKA: Deklarovaná celková hodnota vibrácií bola meraná podľa štandardnej skúšobnej metódy a môže sa použiť na porovnanie jedného nástroja s druhým.

POZNÁMKA: Deklarovaná celková hodnota vibrácií sa môže použiť aj na predbežné posúdenie vystavenia ich účinkom.

VAROVANIE: Emisie vibrácií sa môžu počas skutočného používania elektrického nástroja odlišovať od deklarovanej hodnoty, a to v závislosti od spôsobov používania náradia a najmä typu spracúvaného obrobku.

VAROVANIE: Nezabudnite označiť bezpečnostné opatrenia s cieľom chrániť obsluhu, a to tie, ktoré sa zakladajú na odhade vystavenia účinkom v rámci reálnych podmienok používania (berúc do úvahy všetky súčasti prevádzkového cyklu, ako sú doby, kedy je nástroj vypnutý a kedy beží bez zaťaženia, ako dodatok k dobe zapnutia).

Vyhľadanie o zhode ES

Len pre krajiny Európy

Vyhľadanie o zhode ES sa nachádza v prílohe A tohto návodu na obsluhu.

Všeobecné bezpečnostné predpisy pre elektrické nástroje

VAROVANIE: Preštudujte si všetky bezpečnostné varovania, pokyny, vyobrazenia a technické špecifikácie určené pre tento elektrický nástroj. Pri nedodržaní všetkých nižšie uvedených pokynov môže dôjsť k úrazu elektrickým prúdom, požiaru alebo vážnemu zraneniu.

Všetky výstrahy a pokyny si odložte pre prípad potreby v budúcnosti.

Pojem „elektrický nástroj“ sa vo výstrahách vzťahuje na elektricky napájané elektrické nástroje (s káblom) alebo batériou napájané elektrické nástroje (bez kábla).

BEZPEČNOSTNÉ VÝSTRAHY PRE BRÚSKU

1. Vždy používajte ochranné okuliare alebo bezpečnostné okuliare. Obyčajné optické alebo slnečné okuliare NIE sú ochranné okuliare.
2. Držte nástroj pevne.
3. Nenechávajte nástroj bežať bez dozoru. Pracujte s ním, len keď ho držíte v rukách.
4. Tento nástroj nie je odolný voči vode, takže nepoužívajte vodu na povrchu obrobku.
5. Keď vykonávate leštenie, pracovné miesto primerane vetrajte.

6. Niektoré materiály obsahujú chemikálie, ktoré môžu byť jedovaté. Dávajte pozor, aby ste ich nevdychovali alebo sa ich nedotýkali. Prečítajte si bezpečnostné materiálové listy dodávateľa.
7. Pri použití tohto nástroja na leštenie môžu niektoré produkty, nátery a drevo uvoľňovať na užívateľa prach obsahujúci nebezpečné látky. Používajte primeranú ochranu dýchania.
8. Pred použitím skontrolujte, či na podložke nie sú žiadne praskliny alebo zlomy. Praskliny alebo zlomy môžu spôsobiť poranenie osôb.

TIETO POKYNY USCHOVAJTE.

VAROVANIE: NIKDY nepripustíte, aby pohodlie a dobrá znalosť výrobku (získané opakovaným používaním) nahradili presné dodržiavanie bezpečnostných pravidiel pre náradie. **NESPRÁVNE POUŽÍVANIE** alebo **nedodržiavanie bezpečnostných pokynov** uvedených v tomto návode na obsluhu môže spôsobiť vážne poranenia osôb.

Dôležité bezpečnostné a prevádzkové pokyny pre akumulátor

1. Pred použitím akumulátora si prečítajte všetky pokyny a výstavné označenia na (1) nabíjačke akumulátorov, (2) akumulátore a (3) produkte používajúcom akumulátor.
2. Akumulátor nerozoberajte.
3. Ak sa doba prevádzky príliš skráti, ihneď prerušte prácu. Môže nastať riziko prehriatia, možných popálením či dokonca explózie.
4. V prípade zasiahnutia očí elektrolytom ich vypláchnite čistou vodou a okamžite vyhľadajte lekársku pomoc. Môže dôjsť k strate zraku.
5. Akumulátor neskratujte:
 - (1) Nedotýkajte sa konektorov žiadnym vodivým materiálom.
 - (2) Neskladujte akumulátor v obale s inými kovovými predmetmi, napríklad klíncami, mincami a pod.
 - (3) Akumulátor nevystavujte vode ani dažďu. Skrat akumulátora môže spôsobiť veľký tok prúdu, prehriatie, možné popáleniny či dokonca poruchu.
6. Neskladujte nástroj ani akumulátor na miestach s teplotou presahujúcou 50 °C (122 °F).
7. Akumulátor nespľuňte, ani keď je vážne poškodený alebo úplne opotrebovaný. Akumulátor môže v ohni explodovať.
8. Dávajte pozor, aby akumulátor nespadol, a nevystavujte ho nárazom.
9. Nepoužívajte poškodený akumulátor.

10. **Lítium-iónové akumulátory, ktoré sú súčasťou náradia, podliehajú požiadavkám legislatívy o nebezpečnom tovare.**

V prípade obchodnej prepravy, napr. dodanie tretími stranami či špeditéri, sa musia dodržiavať špeciálne požiadavky na zabalenie a označenie. Pred prípravou položky na odoslanie sa vyžaduje konzultácia s odborníkom na nebezpečný materiál. Taktiež treba dodržiavať potenciálne podrobnejšie predpisy príslušnej krajiny.

Prelepte alebo zakryte otvorené kontakty a zabalte akumulátor tak, aby sa v balíku nemohol voľne pohybovať.

11. **Akumulátor pri likvidácii odstráňte z nástroja a zlikvidujte ho na bezpečnom mieste. Akumulátor zlikvidujte v súlade s miestnymi nariadeniami.**
12. **Akumulátory používajte iba s výrobkami uvedenými spoločnosťou Makita.** Inštalácia akumulátorov do nevyhovujúcich výrobkov môže spôsobiť požiar, nadmerné teplo, výbuch alebo únik elektrolytov.
13. **Ak sa nástroj dlhší čas nepoužíva, odstráňte z neho akumulátor.**

TIETO POKYNY USCHOVAJTE.

POZOR: Používajte len originálne akumulátory od spoločnosti Makita. Používanie batérií, ktoré nie sú od spoločnosti Makita, alebo upravených batérií môže spôsobiť výbuch batérie a následný požiar, zranenie osôb alebo poškodeniu majetku. Následkom bude aj zrušenie záruky od spoločnosti Makita na nástroj a nabíjačku od spoločnosti Makita.

Rady na udržanie maximálnej životnosti akumulátora

1. **Akumulátor nabíjajte ešte predtým, ako sa úplne vybije. Vždy prerušte prácu s nástrojom a nabíjajte akumulátor, keď spozorujete nižší výkon nástroja.**
2. **Nikdy nenabíjajte plne nabitý akumulátor. Prebíjanie skracuje životnosť akumulátora.**
3. **Akumulátor nabíjajte pri izbovej teplote 10 °C – 40 °C (50 °F – 104 °F). Pred nabíjaním nechajte horúci akumulátor vychladnúť.**
4. **Lítium-iónový akumulátor nabíjajte, ak ste ho nepoužívali dlhšie ako šesť mesiacov.**

POPIS FUNKCIE

POZOR:

- Pred úpravou alebo kontrolou funkčnosti nástroja vždy skontrolujte, či je nástroj vypnutý a blok akumulátora je vybratý.

Inštalácia alebo demontáž kazety akumulátora

- **Obr.1:** 1. Červený indikátor 2. Tlačidlo 3. Kazeta akumulátora

POZOR:

- Pred inštaláciou alebo vybratím akumulátora náradie vždy vypnite.
- **Pri vkladaní alebo vyberaní akumulátora uchopte pevne náradie aj akumulátor.** Opomenutie pevne uchopiť náradie a akumulátor môže mať za následok ich vyšmyknutie z rúk s dôsledkom poškodenia náradia a batérie, ako aj osobných poranení.

Ak chcete vybrať akumulátor, vysuňte ho zo zariadenia, pričom posuňte tlačidlo na prednej strane akumulátora. Akumulátor vložte tak, že jazyk akumulátora nasmerujete na ryhu v kryte a zasuniete ju na miesto. Zatláčajte ho úplne, kým zakliknutím nezapadne na miesto. Ak vidíte červený indikátor na hornej strane tlačidla, nie je správne zapadnutý.

POZOR:

- Akumulátor vždy nainštalujte úplne, až kým nie je vidieť červený indikátor. V opačnom prípade môže náhodne vypadnúť z náradia a ublížiť vám alebo osobám v okolí.
- Pri inštalovaní jednotky akumulátora nepoužívajte silu. Ak sa jednotka nedá zasunúť ľahko, nevkladajte ju správne.

System ochrany akumulátora (lítium-iónový akumulátor označený hviezdíčkou)

- **Obr.2:** 1. Označenie hviezdíčkou

Lítium-iónové akumulátory označené hviezdíčkou sú vybavené systémom ochrany. Tento systém automaticky vypne napájanie náradia s cieľom predĺžiť životnosť akumulátora.

Náradie sa môže počas prevádzky automaticky zastaviť v prípade, ak náradie a/alebo akumulátor sú v rámci nasledujúcich podmienok.

- **Preťaženie:**
Náradie je prevádzkované spôsobom, ktorý spôsobuje odber nadmerne vysokého prúdu. V tejto situácii zastavte aplikáciu, ktorá spôsobuje preťažovanie náradia. Následne opät spustíte náradie stlačením tlačidla na spustenie/nastavenie otáčok.
Ak sa náradie nespustí, akumulátor je prehriaty. V tejto situácii nechajte akumulátor vychladnúť a až následne stlačte tlačidlo na spustenie/nastavenie otáčok.

- Nízke napätie akumulátora:
Zostávajúca kapacita akumulátora je veľmi nízka a náradie nebude fungovať. V tejto situácii akumulátor vyberte a nabite ho.

Indikácia zvyšnej kapacity akumulátora

Len na akumulátory s indikátorom

► **Obr.3:** 1. Indikátory 2. Tlačidlo kontroly

Stlačením tlačidla kontroly na akumulátore zobrazíte zostávajúcu kapacitu akumulátora. Indikátory sa na niekoľko sekúnd rozsvietia.

Indikátory			Zostávajúca kapacita
Svieti	Nesvieti	Bliká	
■	□	◻	75 % až 100 %
■ ■ ■ ■			
■ ■ ■ □			50 % až 75 %
■ ■ □ □			25 % až 50 %
■ □ □ □			0 % až 25 %
◻ □ □ □			Akumulátor nabíe.
■ ■ □ □	↑ ↓	□ □ ■ ■	Akumulátor je možno chybný.

POZNÁMKA: V závislosti od podmienok používania a v závislosti od okolitej teploty sa môže zobrazenie mierne odlišovať od skutočnej kapacity.

Činnosť prepínača a tlačidlo na nastavenie otáčok

► **Obr.4:** 1. Tlačidlo na zastavenie 2. Tlačidlo na spustenie/nastavenie otáčok

Na spustenie náradia stlačte tlačidlo na spustenie/nastavenie otáčok. Náradie sa spustí v režime vysokých otáčok. Po každom stlačení tlačidla na spustenie/nastavenie otáčok sa režim otáčok zmení v poradí vysoké otáčky, stredné otáčky a nízke otáčky. Náradie zastavíte stlačením tlačidla na zastavenie. Vzťah medzi režimom otáčok a druhom práce nájdete v tabuľke.

Režim otáčok	Počet otáčok	Použitie
Vysoké	11000	Pravidelné brúsenie
Stredná	9500	Finálne brúsenie
Nízke	7000	Leštenie

POZNÁMKA:

- V tabuľke sú uvedené štandardné aplikácie. Aplikácie sa môžu za rozličných podmienok líšiť.

MONTÁŽ

⚠ POZOR:

- Pred vykonaním akejkoľvek práce na nástroji vždy skontrolujte, či je nástroj vypnutý a kazeta akumulátora je vybraná.

Inštalácia brúsneho kotúča

► **Obr.5:** 1. Podložka 2. Brúsny kotúč

Ak chcete nainštalovať brúsny kotúč, najprv odstráňte všetku špinu alebo cudzie predmety z podložky. Následne nasadte brúsny kotúč na podložku. Opatrne vyrovnajte otvory v brúsnom kotúči s otvormi na podložke.

Inštalácia vrečka na prach (voliteľné príslušenstvo)

► **Obr.6:** 1. Vrečko na prach

Vrečko na prach nainštalujte na náradie tak, aby jeho otvor smeroval dolu.

Vyprázdnenie vrečka na prach

► **Obr.7:** 1. Otvor na prach

Ak je vrečko na prach do polovice naplnené, vypnite náradie a vrečko na prach z náradia demontujte. Po odistení otvoru na prach miernym odkrútením v protismere hodinových ručičiek, vyberte z vrečka na prach otvor na prach. Vrečko na prach vyprázdnite jemným vyklepaním.

► **Obr.8:** 1. Otvor na prach

Po vyprázdnení vrečka na prach, založte otvor na prach späť na vrečko. Otvor na prach jemne zakrúťte v smere hodinových ručičiek na svoje miesto. Potom namontujte vrečko na prach na nástroj podľa popisu v časti "Inštalácia vrečka na prach".

Inštalácia papierového filtračného vrečka (voliteľné príslušenstvo)

► **Obr.9:** 1. Prítláčné uško

Dbajte na to, aby logo na okraji kartónovej plochy a logo na prachovej schránke boli rovnakej veľkosti, potom namontujte papierové filtračné vrecúško vsadením okraja kartónovej plochy do drážky každého prítláčného uška.

► **Obr.10:** 1. Schránka na prach 2. Otvor na prach

Dbajte na to, aby logo na okraji kartónovej plochy a logo na otvore na prach boli rovnakej veľkosti, potom namontujte otvor na prach na prachovú schránku.

Demontáž prachovej schránky a papierového filtrovacieho vrecúška.

► **Obr.11:** 1. Západka 2. Otvor na prach

Otvor na prach odstráňte stlačením dvoch západiek.

► **Obr.12**

Papierové filtrovacie vrecúško odstráňte tak, že najskôr stlačíte stranu s logom okraja jeho kartónovej plochy, potom potiahnete okraj kartónovej plochy nadol, čím ho vyberiete z prítláčného uška prachovej schránky.

Demontáž a nainštalovanie lemu

⚠ POZOR: Náradie nepoužívajte bez nainštalovaného lemu. V opačnom prípade sa bude prach šíriť všade.

► Obr.13

Môžete si zvoliť jeden z 12 smerov lemu na základe vášho účelu.

► Obr.14: 1. Obruba 2. Skrutka

Lem demontujete tak, že odskrutkujete skrutku a snímate ho jeho miernym otvorením na oboch stranách.

► Obr.15: 1. Obruba

Lem opäť nainštalujete tak, že ho mierne otvoríte na oboch stranách. Následne ho utiahnite skrutkou.

⚠ POZOR: Lem nenastavujte pod iným ako stanoveným uhlom. Náradie sa môže v opačnom prípade poškodiť.

PRÁCA

⚠ VAROVANIE: Nástroj nikdy nezapínajte ak je v styku s obrobkom, mohlo by prísť k zraneniu obsluhujúceho.

Leštenie

► Obr.16

⚠ POZOR:

- Nástroj nikdy nepoužívajte bez brúsneho kotúča. Môžete vážne poškodiť podušku.
- Nikdy nevyvíjajte silu na nástroj. Nadmerný tlak môže znížiť účinnosť brúsenia, poškodiť brúsny kotúč alebo skrátiť životnosť nástroja.
- Použitie nástroja tak, že je nástroj je hranou podložky v kontakte s obrobkom môže poškodiť podložku.

Nástroj držte pevne. Zapnite nástroj a počkajte, až vám nedosiahne plnú rýchlosť. Potom jemne umiestnite nástroj na povrch obrobku. Dbajte, aby bola podložka v jednej rovine s obrobkom a aplikujte na nástroj jemný tlak.

⚠ POZOR: Brúsna podložka sa otáča počas prevádzky so záťažou v smere hodinových ručičiek ale môže sa otáčať aj naopak prevádzky bez záťaže.

Leštenie (voliteľné)

⚠ POZOR:

- Použite len originálnu špongiovitú, plstenú alebo vlnenú podložku Makita (voliteľné príslušenstvo)
- Nástroj vždy prevádzkujte pri nízkej rýchlosti, aby ste predišli tomu, aby sa pracovné povrchy nadmerne prehriali.
- Nikdy nevyvíjajte silu na nástroj. Nadmerný tlak môže znížiť účinnosť leštenia a spôsobiť preťaženie motora, čoho výsledkom môže byť porucha nástroja.

1. Nanášanie vosku

► Obr.17: 1. Špongiovitá podložka

Použite voliteľnú špongiovitú podložku. Vosk aplikujte na špongiovitú podložku alebo na povrch obrobku. Nástroj prevádzkujte pri nízkej rýchlosti, aby sa vosk naniesol pravidelne.

POZNÁMKA:

- Najprv voskujte neprístupné miesta povrchu obrobku, aby sa zabezpečilo, že nástroj nepoškriabe povrch alebo aby voskovanie nebolo nepravdivé.
- Náradie sa spustí v režime vysokých otáčok. Pri spúšťaní náradia dávajte pozor. Môže dochádzať k rozstrekovaniu vosku. Odporúčame, aby ste vosk naniesli so zastaveným náradím; až následne náradie spustíte. Okamžite po spustení náradia zmeňte režim otáčok na nízke.
- Vždy prevádzkujte nástroj malou rýchlosťou. Jeho prevádzka vysokou rýchlosťou môže spôsobiť rozstriedanie vosku.

2. Odstraňovanie vosku

► Obr.18: 1. Plstená podložka

Použite voliteľnú plstenú podložku. Nástroj prevádzkujte pri nízkej rýchlosti, keď odstraňujete vosk.

3. Leštenie

► Obr.19: 1. Vlnená podložka

Použite voliteľnú vlnenú podložku. Nástroj prevádzkujte nízkou rýchlosťou a jemne aplikujte vlnenú podložku na povrch obrobku.

ÚDRŽBA

⚠ POZOR:

- Pred vykonaním kontroly alebo údržby vždy skontrolujte, či je nástroj vypnutý a blok akumulátora je vybratý.
- Nepoužívajte benzín, riedidlo, alkohol ani nič podobné. Mohlo by to spôsobiť zmenu farby, deformácie alebo praskliny.

Kvôli zachovaniu BEZPEČNOSTI a SPOLAHLIVOSTI výrobku musia byť opravy, kontrola a výmena uhlíkov a akákoľvek ďalšia údržba či nastavovanie robené autorizovanými servisnými strediskami firmy Makita a s použitím náhradných dielov Makita.

VOLITEĽNÉ PRÍSLUŠENSTVO

⚠ POZOR:

- Pre váš nástroj Makita, opísaný v tomto návode, doporučujeme používať toto príslušenstvo a nástavce. Pri použití iného príslušenstva či nástavcov môže hroziť nebezpečenstvo zranenia osôb. Príslušenstvo a nástavce sa môžu používať len na účely pre ne stanovené.

Ak potrebujete bližšie informácie týkajúce sa tohoto príslušenstva, obráťte sa na vaše miestne servisné stredisko firmy Makita.

- Typ brúsneho papiera a háčikom a očkom (s predierovanými otvormi)
- Špongiovitá podložka s háčikom a očkom
- Plstená podložka s háčikom a očkom
- Vlnená podložka s háčikom a očkom
- Originálna batéria a nabíjačka Makita
- Prachová schránka
- Papierové filtrovacie vrecúško
- Vrečko na prach

POZNÁMKA:

- Niektoré položky zo zoznamu môžu byť súčasťou balenia náradia vo forme štandardného príslušenstva. Rozsah týchto položiek môže byť v každej krajine odlišný.

TECHNICKÉ ÚDAJE

Model		DBO140	DBO180
Velikost papíru		125 mm	
Oběhů za minutu (min ⁻¹)	Nízké otáčky	7 000	
	Střední otáčky	9 500	
	Vysoké otáčky	11 000	
Rozměry		175 mm x 123 mm x 153 mm	
Hmotnost netto		1,3 - 1,6 kg	1,4 - 1,7 kg
Jmenovité napětí		14,4 V DC	18 V DC

- Vzhledem k neustálému výzkumu a vývoji zde uvedené technické údaje podléhají změnám bez upozornění.
- Specifikace se mohou pro různé země lišit.
- Hmotnost se může lišit v závislosti na nástavcích a přídatných zařízeních, včetně akumulátoru. Nejlehčí a nejtěžší kombinace, dle EPTA-Procedure 01/2014, jsou uvedeny v tabulce níže.

Použitelný akumulátor a nabíječka

Akumulátor	Model 14,4 V	BL1415N / BL1430 / BL1430B / BL1440 / BL1450 / BL1460B
	Model 18 V	BL1815N / BL1820 / BL1820B / BL1830 / BL1830B / BL1840 / BL1840B / BL1850 / BL1850B / BL1860B
Nabíječka		DC18RC / DC18RD / DC18RE / DC18SD / DC18SE / DC18SF

- V závislosti na regionu vašeho bydliště nemusí být některé akumulátory a nabíječky k dispozici.

VAROVÁNÍ: Používejte pouze výše uvedené akumulátory a nabíječky. Použití jiných akumulátorů a nabíječek může způsobit zranění a/nebo požár.

Určení nástroje

Nástroj je určen k velkoplošnému broušení dřeva, plastů a kovových materiálů a dále povrchů opatřených nátěrem.

Hlučnost

Typická vážená hladina hluku (A) určená podle normy EN62841:

Model DBO140

Hladina akustického tlaku (L_{pA}): 78 dB (A)

Nejistota (K): 3 dB (A)

Hladina hluku při práci může překročit hodnotu 80 dB (A).

Model DBO180

Hladina akustického tlaku (L_{pA}): 77 dB (A)

Nejistota (K): 3 dB (A)

Hladina hluku při práci může překročit hodnotu 80 dB (A).

POZNÁMKA: Celková(é) hodnota(y) emisí hluku byla(y) změřena(y) v souladu se standardní zkušební metodou a dá se použít k porovnání nářadí mezi sebou.

POZNÁMKA: Hodnotu(y) deklarovaných emisí hluku lze také použít k předběžnému posouzení míry expozice vibracím.

VAROVÁNÍ: Používejte ochranu sluchu.

VAROVÁNÍ: Emise hluku se při používání elektrického nářadí ve skutečnosti mohou od deklarované(ých) hodnot(y) lišit v závislosti na způsobech použití nářadí.

VAROVÁNÍ: Nezapomeňte stanovit bezpečnostní opatření na ochranu obsluhy podle odhadu expozice ve skutečných podmínkách použití. (Vezměte přitom v úvahu všechny části provozního cyklu, tj. kromě doby zátěže například doby, kdy je nářadí vypnuté a kdy běží naprázdno.)

Vibrace

Celková hodnota vibrací (vektorový součet tří os) určená podle normy EN62841:

Model DBO140

Pracovní režim: brusná kovová deska

Emise vibrací (a_h): 2,5 m/s² nebo méně

Nejistota (K): 1,5 m/s²

Model DBO180

Pracovní režim: brusná kovová deska

Emise vibrací (a_h): 2,5 m/s² nebo méně

Nejistota (K): 1,5 m/s²

POZNÁMKA: Celková(é) hodnota(y) deklarovaných vibrací byla(y) změněna(y) v souladu se standardní zkušební metodou a dá se použít k porovnání nářadí mezi sebou.

POZNÁMKA: Celkovou(é) hodnotu(y) deklarovaných vibrací lze také použít k předběžnému posouzení míry expozice vibracím.

VAROVÁNÍ: Emise vibrací se při používání elektrického nářadí ve skutečnosti mohou od deklarované(ých) hodnot(y) lišit v závislosti na způsobech použití nářadí.

VAROVÁNÍ: Nezapomeňte stanovit bezpečnostní opatření na ochranu obsluhy podle odhadu expozice ve skutečných podmínkách použití. (Vezměte přitom v úvahu všechny části provozního cyklu, tj. kromě doby zátěže například doby, kdy je nářadí vypnuté a kdy běží naprázdno.)

Prohlášení ES o shodě

Pouze pro evropské země

Prohlášení ES o shodě je obsaženo v Příloze A tohoto návodu k obsluze.

Obecná bezpečnostní upozornění k elektrickému nářadí

VAROVÁNÍ: Přečtěte si všechny bezpečnostní výstrahy i pokyny a prohleďte si ilustrace a specifikace dodané k tomuto elektrickému nářadí. Nedodržení všech níže uvedených pokynů může vést k úrazu elektrickým proudem, požáru či vážnému zranění.

Všechna upozornění a pokyny si uschovejte pro budoucí potřebu.

Pojem „elektrické nářadí“ v upozorněních označuje elektrické nářadí, které se zapojuje do elektrické sítě, nebo elektrické nářadí využívající akumulátory.

BEZPEČNOSTNÍ UPOZORNĚNÍ K VIBRAČNÍ BRUSCE

1. Vždy používejte ochranné brýle. Běžné dioptrické brýle nebo sluneční brýle NEJSOU ochranné brýle.
2. Držte nástroj pevně.
3. Nenechávejte nástroj běžet bez dozoru. Pracujte s ním, jen když jej držíte v ruce.
4. Tento nástroj není vodotěsný. Proto na povrchu dílu nepoužívejte vodu.
5. Při broušení zajistíte odpovídající odvětrávání pracoviště.
6. Některé materiály obsahují chemikálie, které mohou být jedovaté. Dávejte pozor, abyste je nevděchovali nebo se jich nedotýkali. Přečtěte si bezpečnostní materiálové listy dodavatele.
7. Při používání tohoto nástroje k broušení některých výrobků, nátěrů a dřeva může být uživatel vystaven prachu obsahujícímu nebezpečné látky. Používejte odpovídající ochranu dýchacího ústrojí.
8. Před použitím se přesvědčte, zda na se podložce nevyskytují trhliny či praskliny. Trhliny nebo praskliny mohou způsobit poranění.

TYTO POKYNY USCHOVEJTE.

VAROVÁNÍ: NEDOVOLTE, aby pohodlnost nebo pocit znalosti výrobku (získaný na základě opakovaného používání) vedly k zanedbání dodržování bezpečnostních pravidel platných pro tento výrobek. NESPRÁVNÉ POUŽÍVÁNÍ nebo nedodržení bezpečnostních pravidel uvedených v tomto návodu k obsluze může způsobit vážné zranění.

Důležitá bezpečnostní upozornění pro akumulátor

1. Před použitím akumulátoru si přečtěte všechny pokyny a varovné symboly na (1) nabíječe, (2) akumulátoru a (3) výrobku využívajícím akumulátor.
2. Akumulátor nerozebírejte.
3. Pokud se příliš zkrátí provozní doba akumulátoru, přerušte okamžitě práci. V opačném případě existuje riziko přehřívání, popálení nebo dokonce výbuchu.
4. Budou-li vaše oči zasaženy elektrolytem, vypláchněte je čistou vodou a okamžitě vyhledejte lékařskou pomoc. Může dojít ke ztrátě zraku.
5. Akumulátor nezkratujte:
 - (1) Nedotýkejte se svorek žádným vodivým materiálem.
 - (2) Neskladujte akumulátor v nádobě s jinými kovovými předměty, jako jsou hřebíky, mince, apod.
 - (3) Nevystavujte akumulátor vodě a dešti. Zkrat akumulátoru může způsobit velký průtok proudu, přehřátí, možné popálení a dokonce i poruchu.
6. Neskladujte nářadí a akumulátor na místech, kde může teplota překročit 50 °C (122 °F).
7. Nespalujte akumulátor, ani když je vážně poškozen nebo úplně opotřeben. Akumulátor může v ohni vybuchnout.
8. Dávejte pozor, abyste akumulátor neupustili ani s ním nenaráželi.
9. Nepoužívejte poškozené akumulátory.
10. Obsažené lithium-iontové akumulátory podléhají právním požadavkům na nebezpečné zboží.

V případě komerční přepravy například externími dopravci je třeba dodržet zvláštní požadavky na balení a značení.

Pro přípravu zboží k přepravě je nutná konzultace s odborníkem na nebezpečný materiál. Dodržujte také případně podrobnější národní předpisy. Odkryté kontakty přelepte izolační páskou či jinak zakryjte a akumulátory zabalte tak, aby se v balení nemohly pohybovat.
11. Při likvidaci akumulátoru jej vyjměte z nářadí a zlikvidujte jej na bezpečném místě. Při likvidaci akumulátoru postupujte podle místních předpisů.
12. Akumulátor používejte pouze s výrobky specifikovanými společností Makita. Instalace akumulátoru do nevhodujících výrobků může způsobit požár, nadměrné zahřívání, explozi nebo únik elektrolytu.
13. Pokud nářadí delší dobu nepoužíváte, je nutné z něj akumulátor vyjmout.

TYTO POKYNY USCHOVEJTE.

UPOZORNĚNÍ: Používejte pouze originální akumulátory Makita. Používání neoriginálních nebo upravených akumulátorů může způsobit explozi akumulátoru a následný požár, zranění a jiné poškození. Zaniká tím také záruka společnosti Makita na nářadí a nabíječku Makita.

Tipy k zajištění maximální životnosti akumulátoru

1. Akumulátor nabíjte dříve, než dojde k jeho úplnému vybití. Pokud si povšimnete sníženého výkonu nářadí, vždy jej zastavte a dobijte akumulátor.
2. Nikdy nenabíjete úplně nabitý akumulátor. Přebíjení zkracuje životnost akumulátoru.
3. Akumulátor dobíjete při pokojové teplotě od 10 °C do 40 °C (50 °F až 104 °F). Před nabíjením nechejte horký akumulátor zchladnout.
4. Pokud se akumulátor delší dobu nepoužívá (déle než šest měsíců), je nutno jej dobít.

POPIS FUNKCE

⚠ UPOZORNĚNÍ:

- Před nastavováním nástroje nebo kontrolou jeho funkce se vždy přesvědčte, zda je nástroj vypnutý a je odpojen jeho akumulátor.

Instalace a demontáž akumulátoru

- Obr.1: 1. Červený indikátor 2. Tlačítko
3. Akumulátor

⚠ UPOZORNĚNÍ:

- Před nasazením či sejmutím bloku akumulátoru nářadí vždy vypněte.
- **Při nasazování či snímání bloku akumulátoru pevně držte nářadí i akumulátor.** V opačném případě vám mohou nářadí nebo akumulátor vyklouznout z ruky a mohlo by dojít k jejich poškození či ke zranění.

Jestliže chcete blok akumulátoru vyjmout, vysuňte jej se současným přesunutím tlačítka na přední straně akumulátoru.

Při instalaci akumulátoru vyrovnejte jazyček na bloku akumulátoru s drážkou v krytu a zasuňte akumulátor na místo. Akumulátor zasuňte na doraz, až zacvakne na místo. Není-li tlačítko zcela zajištěno, uvidíte na jeho horní straně červený indikátor.

⚠ UPOZORNĚNÍ:

- Akumulátor zasunujte vždy zcela tak, aby nebyl červený indikátor vidět. Jinak by mohl akumulátor ze zařízení vypadnout a způsobit zranění obsluze či přihlížejícím osobám.
- Blok akumulátoru nenasazujte násilím. Nelze-li akumulátor zasunout snadno, nevkládejte jej správně.

Systém ochrany akumulátoru (lithium-iontový akumulátor se značkou hvězdičky)

- Obr.2: 1. Značka hvězdičky

Lithium-iontové akumulátory se značkou hvězdičky jsou vybaveny systémem ochrany. Tento systém automaticky přeruší napájení nářadí, aby se prodloužila životnost akumulátoru.

Budou-li nářadí nebo akumulátor vystaveny některé z níže uvedených podmínek, nářadí se během provozu automaticky vypne:
















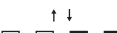

- Přetížení:
 - S nářadím se pracuje takovým způsobem, že dochází k odběru mimořádně vysokého proudu.
 - V takovém případě ukončete činnost, při níž došlo k přetížení nářadí. Potom nářadí znovu spusťte stisknutím tlačítka start/nastavení otáček.
 - Jestliže se nářadí nespustí, došlo k přehřátí akumulátoru. V takovém případě nechte akumulátor před stisknutím tlačítka start/nastavení otáček vychladnout.
- Nízké napětí akumulátoru:
 - Zbývající kapacita akumulátoru je příliš nízká a nářadí nebude pracovat. V takovém případě vyjměte akumulátor a dobijte jej.

Indikace zbývající kapacity akumulátoru

Pouze pro akumulátory s diodovým ukazatelem

- Obr.3: 1. Kontrolky 2. Tlačítko kontroly

Stisknutím tlačítka kontroly na akumulátoru zjistíte zbývající kapacitu akumulátoru. Kontrolky indikátoru se na několik sekund rozsvítí.

Kontrolky			Zbývající kapacita
 Svítí	 Nesvítí	 Bliká	
			75 % až 100 %
			50 % až 75 %
			25 % až 50 %
			0 % až 25 %
			Nabíjete akumulátor.
			Došlo pravděpodobně k poruše akumulátoru.
			

POZNÁMKA: Kapacita udávaná indikátorem se může mírně lišit od skutečné kapacity v závislosti na podmínkách používání a teplotě prostředí.

Tlačítko přepínání a nastavení otáček

- **Obr.4:** 1. Tlačítko stop 2. Tlačítko start/nastavení otáček

Zařízení zapnete stisknutím tlačítka start/nastavení otáček. Náhradí se spustí v režimu vysokých otáček. Po každém stisknutím tlačítka start/nastavení otáček se režim otáček změní od vysokých otáček přes střední až po nízké otáčky.

Náhradí vypnete stisknutím tlačítka stop.

Vztah mezi režimem otáček a druhem prováděné práce naleznete v tabulce.

Režim otáček	Počet otáček	Použití
Vysoké	11 000	Běžné broušení
Střední	9 500	Dokončovací broušení
Nízké	7 000	Leštění

POZNÁMKA:

- V tabulce jsou uvedeny běžné způsoby použití. Ty se za určitých podmínek mohou lišit.

MONTÁŽ

▲ UPOZORNĚNÍ:

- Před prováděním libovolných prací na nástroji se vždy přesvědčte, zda je nástroj vypnutý a je odpojen jeho akumulátor.

Montáž brusného kotouče

- **Obr.5:** 1. Podložka 2. Brusný kotouč

Při montáži brusného kotouče odstraňte nejdříve z podložky veškeré nečistoty a cizorodou hmotu. Potom brusný kotouč upevněte k podložce. Pečlivě vyrovnejte otvory v brusném kotouči s otvory v podložce.

Instalace vaku na prach (volitelné příslušenství)

- **Obr.6:** 1. Vak na prach

K nářadí připojte vak na prach – hrdlem směrem dolů.

Vysypání vaku na prach

- **Obr.7:** 1. Prachová hubice

Jakmile se vak na prach zaplní asi do poloviny, vypněte nářadí a vak na prach z něj vyjměte. Mírným otočením vlevo uvolněte prachovou hubici a odpojte ji od vaku na prach. Vak na prach mírným klepáním vyprázdněte.

- **Obr.8:** 1. Prachová hubice

Po vysypání vaku na prach umístěte prachovou hubici zpět na vak. Mírným otočením ve směru hodinových ručiček prachovou hubici zajistěte. Poté vak na prach namontujte na nástroj, jak je popsáno v odstavci „Instalace vaku na prach“.

Instalace papírového filtračního vaku (volitelné příslušenství)

- **Obr.9:** 1. Jazyček

Ujistěte se, zda je logo na kartónovém okraji na stejné straně jako logo na prachové nádobě a pak papírový filtrační vak nainstalujte uchycením kartónového okraje v drážce na každém přídržném jazyčku.

- **Obr.10:** 1. Prachová nádoba 2. Prachová hubice

Ujistěte se, že jsou logo na kartónovém okraji a logo na prachové hubici na stejné straně, potom nainstalujte prachovou hubici na prachovou nádobu.

Demontáž prachové nádoby a papírového filtračního vaku

- **Obr.11:** 1. Uzávěr 2. Prachová hubice

Sundejte prachovou hubici zatlačením na dva uzávěry.

- **Obr.12**

Při vyndávání papírového filtračního vaku nejdříve chytněte jeho kartónový okraj na straně s logem a potom vak vytáhněte z jazyčku prachové nádoby zatažením za kartónový okraj směrem dolů.

Sejmutí a opětovné nasazení manžety

▲ UPOZORNĚNÍ: Nepoužívejte nářadí bez manžety. V opačném případě se bude silně prašit.

- **Obr.13**

Podle vykonávané práce můžete vybrat jeden z 12 nasměrování manžety.

- **Obr.14:** 1. Kryt 2. Šroub

Jestliže chcete manžetu sejmut, odšroubujte šroub a manžetu stáhněte mírným rozevřením po obou stranách.

- **Obr.15:** 1. Kryt

Pokud chcete manžetu vrátit zpět, nasadte ji mírným rozevřením po obou stranách. Potom dotáhněte šroub.

▲ UPOZORNĚNÍ: Manžetu neusazujte do jiného než určeného úhlu. Jinak by mohlo dojít k poškození nářadí.

PRÁCE

▲ VAROVÁNÍ: Nikdy nástroj nezapínejte, pokud je v kontaktu se zpracovávaným dílem. Mohlo by dojít ke zranění.

Broušení

- **Obr.16**

▲ UPOZORNĚNÍ:

- Nikdy nástroj neprovazujte bez brusného kotouče. V opačném případě může dojít k vážnému poškození podložky.
- Nikdy na nástroj nevyvíjejte příliš velkou sílu. Přílišný tlak může vést ke snížení účinnosti broušení, poškození brusného kotouče nebo zkrácení životnosti nástroje.
- Budete-li nástroj používat tak, že se okraj podložky dotýká zpracovávaného dílu, může dojít k poškození podložky.

Uchopte pevně nástroj. Zapněte nástroj a počkejte, dokud nedosáhne plné rychlosti. Poté opatrně přiložte nástroj k povrchu zpracovávaného dílu. Udržujte podložku zarovnanou s dílem a vyvíjejte na nástroj mírný tlak.

▲ UPOZORNĚNÍ: Broušící podložka se při zatížení otáčí ve směru hodinových ručiček. Není-li zatížena, může se otáčet proti směru hodinových ručiček.

Leštění (volitelné)

▲ UPOZORNĚNÍ:

- Používejte pouze originální houbovou podložku, plstěnou podložku nebo vlněnou podložku Makita (volitelné příslušenství).
- Nástroj vždy provozujte při nízké rychlosti, aby se nadměrně nezhřívaly pracovní povrchy.
- Nikdy na nástroj nevyvíjejte příliš velkou sílu. Přílišný tlak může vést ke snížení účinnosti leštění a způsobit přetížení motoru a následně selhání nástroje.

1. Nanesení vosku

► Obr.17: 1. Houbová podložka

Použijte volitelnou houbovou podložku. Na houbovou podložku nebo pracovní povrch naneste vosk. Spusťte nástroj s nízkými otáčkami, aby se rozprostřel vosk.

POZNÁMKA:

- Nejdříve navoskujte méně důležitou část pracovního povrchu a přesvědčte se, zda nástroj nepoškrábal povrch a zda zajišťuje rovnoměrné rozprostření vosku.
- Nářadí se spustí v režimu vysokých otáček. Při spuštění nářadí buďte opatrní. Může dojít k rozstříknutí vosku. Vosk doporučujeme rozetřít ještě před zapnutím nářadí. Okamžitě po spuštění nářadí změňte režim otáček na nízké otáčky.
- Nástroj vždy provozujte při nízkých otáčkách. Při vysokých otáčkách může dojít k rozstříkávání vosku.

2. Odstraňování vosku

► Obr.18: 1. Plstěná podložka

Použijte volitelnou plstěnou podložku. Spusťte nástroj s nízkými otáčkami a odstraňujte vosk.

3. Leštění

► Obr.19: 1. Vlněná podložka

Použijte volitelnou vlněnou podložku. Spusťte nástroj při nízkých otáčkách a přiložte vlněnou podložku zlehka k pracovnímu povrchu.

ÚDRŽBA

▲ UPOZORNĚNÍ:

- Před zahájením kontroly nebo údržby nástroje se vždy přesvědčte, zda je nástroj vypnutý a je odpojen akumulátor.
- Nikdy nepoužívejte benzín, benzen, ředidlo, alkohol či podobné prostředky. Mohlo by tak dojít ke změněm barvy, deformacím či vzniku prasklin.

Kvůli zachování BEZPEČNOSTI a SPOLEHLIVOSTI výrobku musí být opravy, kontrola a výměna uhlíků a veškerá další údržba či seřizování prováděny autorizovanými servisními středisky firmy Makita a s použitím náhradních dílů Makita.

VOLITELNÉ PŘÍSLUŠENSTVÍ

▲ UPOZORNĚNÍ:

- Pro váš nástroj Makita, popsany v tomto návodu, doporučujeme používat toto příslušenství a nástavce. Při použití jiného příslušenství či nástavců může hrozit nebezpečí zranění osob. Příslušenství a nástavce lze používat pouze pro jejich stanovené účely.

Potřebujete-li bližší informace ohledně tohoto příslušenství, obraťte se na vaše místní servisní středisko firmy Makita.

- Brusné kotouče se suchým zipem (s předem vydrévanými otvory)
- Houbová podložka se suchým zipem
- Plstěná podložka se suchým zipem
- Vlněná podložka se suchým zipem
- Originální akumulátor a nabíječka Makita
- Prachová nádoba
- Papírový filtrační vak
- Vak na prach

POZNÁMKA:

- Některé položky seznamu mohou být k zařízením přibaleny jako standardní příslušenství. Přibalené příslušenství se může v různých zemích lišit.

Makita Europe N.V. Jan-Baptist Vinkstraat 2,
3070 Kortenberg, Belgium

Makita Corporation 3-11-8, Sumiyoshi-cho,
Anjo, Aichi 446-8502 Japan

www.makita.com

885259B971 EN, UK, PL, RO, DE, HU, SK, CS 20190326
